



<b>DK</b>	<b>Betjeningsvejledning</b>
<b>D</b>	<b>Befeuerungsanleitung</b>
<b>GB</b>	<b>User's manual</b>
<b>F</b>	<b>Mode d'emploi</b>
<b>N</b>	<b>Bruksanvisning</b>
<b>S</b>	<b>Användarhandbok</b>
<b>IT</b>	<b>Istruzioni per l'uso</b>
<b>NL</b>	<b>Bedieningshandleiding</b>

**Cosmo - Cozy - Cubic - Mido**

## EN

## Contents

1. Introduction
2. Installation
3. Warranty
4. Firing instructions
5. Maintenance
6. Combustion issues
7. Cleaning
8. Spare parts overview

## IMPORTANT INFORMATION

### **You must inform the local authorities when you install a wood-burning stove**

This overall manual may contain instructions that are against national building regulations. Please refer to supplemental instructions or ask your local authorities for advice on the applicable building regulations. It is the responsibility of the owner of the place of installation to ensure compliance with applicable safety regulations and to have the installation checked by a qualified inspector. You must inform the chimney sweep of the installation as new sweeping requirements ensue.

### **The stove becomes very hot**

When in use, certain parts of the stove may become very hot and cause burns on contact. Furthermore, you should pay attention to the strong heat radiation emitted through the door window. It may cause a fire if combustible materials are located within the specified safety distance. If the wood in the fire chamber is merely smoldering, this may lead to the explosive ignition of the flue gases and cause injury or damage to equipment.

### **Professional installation**

This manual contains instructions on how to mount and install the wood-burning stove. In order to guarantee the function and safety of the stove, we recommend using a professional installer. Contact one of our dealers who will be happy to recommend a skilled installer.

### **Load-bearing floor/wall**

Ensure that the carrying capacity of the floor/story partition is sufficient to carry the stove and the chimney.

Test report No.:	300-ELAB-2313-EN-nom
Power:	6 kW
Efficiency:	80%
Flue gas temperature:	5,2 g/s
CO-Emission:	0,056%

## 1. Introduction

Congratulations on your new wood-burning stove. Your stove has probably already been installed, and perhaps you have used it for the first time. To most of us, an operating manual is something we consult when everything else has failed - particularly if we have had a wood-burning stove for many years. Nonetheless, we hope that you will take the time to read this manual as you would use different wood-burning stove models differently. In order to fully enjoy your new stove, you should familiarize yourself with it; this is not difficult but merely requires a little patience.

## 2. Installation

Jydepejsen wood-burning stoves have been tested and approved by testing institutes in accordance with applicable law. Prior to final approval, the stoves are subjected to various fire technical tests. Your wood-burning stove has been tested with a top outlet. Birchwood with 12 - 20% humidity was used during the testing.

You should ensure that your stove is installed in accordance with applicable codes, regulations and safety distances for combustible material. All Jydepejsen dealers will be happy to tell you about the requirements applying to your specific stove and give you further instructions on its correct installation. Furthermore, your dealer / chimney sweep may tell you exactly which type of chimney you need.

All local provisions including provisions referring to national and European standards must be followed when the stove is installed.

You should ensure that sufficient combustion air is delivered to the stove, also with the simultaneous use of other heating or exhaust devices. The insulation of contemporary homes is often so good that fresh air valves are necessary to supply fresh air from outside. If your home is fitted with fresh air grates, any blocking of these must be prevented.

Furthermore, you should check if the vermiculite plating is fitted correctly in the fire chamber. Please refer to the illustration in this manual for positioning instructions.



If you have a model Cubic Wall/Cubic Corner/Cubic W200 you must hang up the stove using the enclosed fitting. The hanging must not weaken the chimney construction. The anchoring must be carried out in consultation with your dealer/chimney sweep.

### The floor

Jydepejsen stoves are fitted with a radiation shield under the stove to protect the base space against heat radiation. As the product has integrated floor protection, you may place it directly on a flammable bedplate. Contact your local building authorities if you have any concerns or questions.

### Floor plate

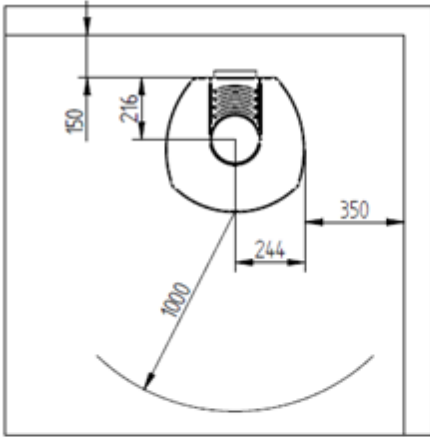
If the stove is mounted on a combustible floor, the floor in front of the stove must be protected by a floor plate as embers from the stove could land on the floor. The size of the floor plate depends on the laws and regulations in the country of installation. For example, a floor plate could be made of natural stone, concrete, sheet iron or glass. Lacquered sheet iron or glass floor plates may be purchased as accessories to these models.

The stove is suitable for use on a flue gas collector pipe.

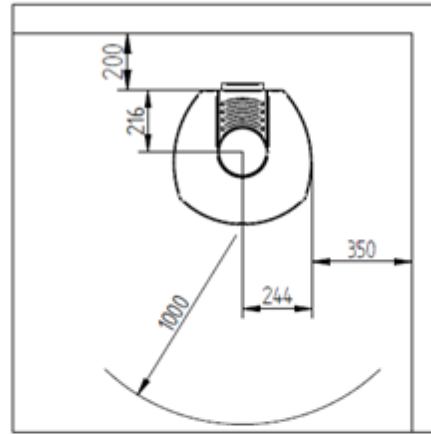
See below for illustrations of wall and corner installations with and without insulated smoke pipes.

**COSMO**

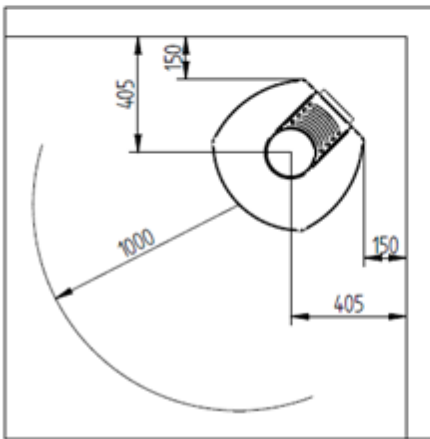
Distance to combustible WITH insulated flue



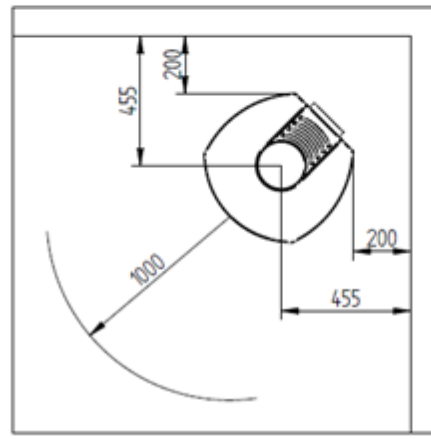
Distance to combustible WITHOUT insulated flue



Distance to combustible WITH insulated flue

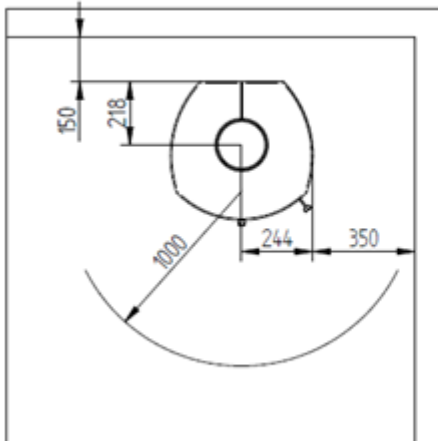


Distance to combustible WITHOUT insulated flue

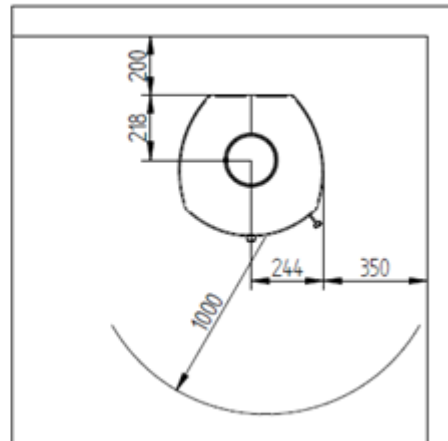


**MIDO ver. 2**

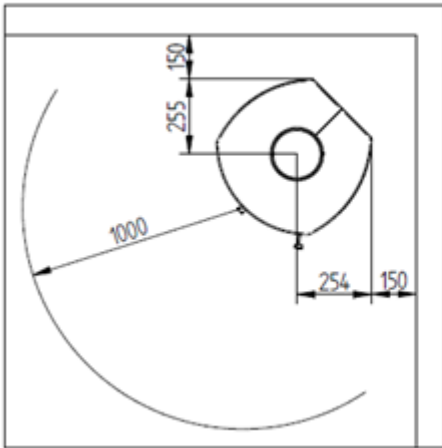
Distance to combustible WITH insulated flue



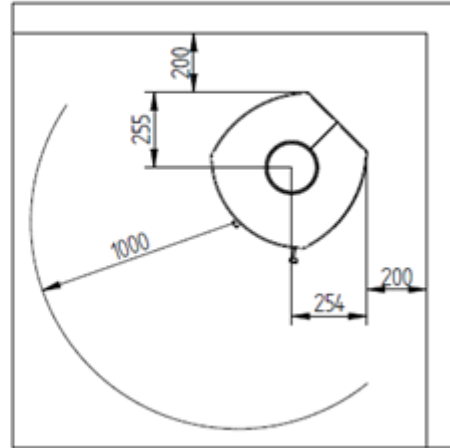
Distance to combustible WITHOUT insulated flue



Distance to combustible WITH insulated flue

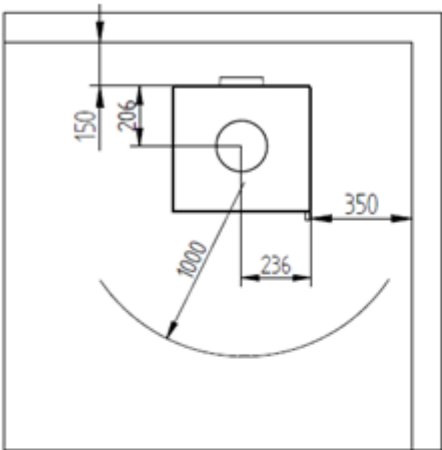


Distance to combustible WITHOUT insulated flue

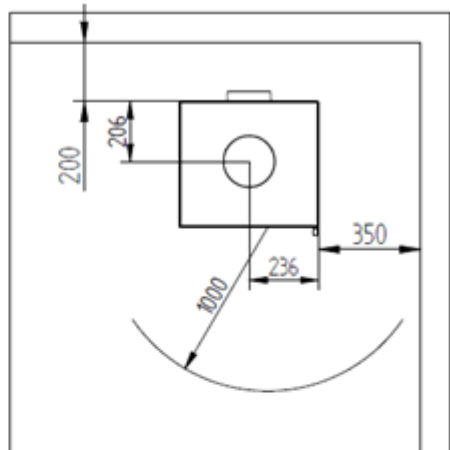


**CUBIC**

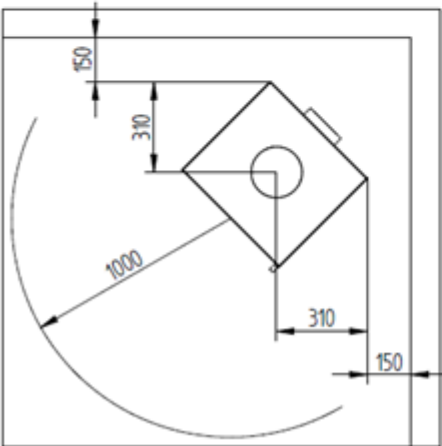
Distance to combustible WITH insulated flue



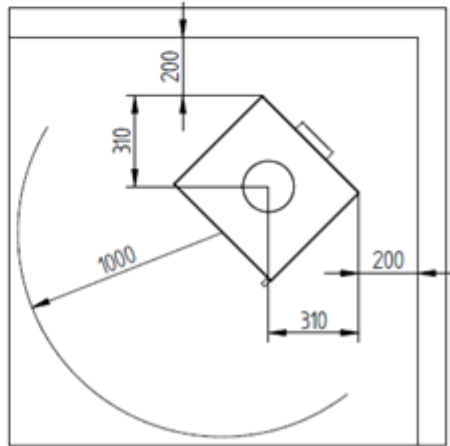
Distance to combustible WITHOUT insulated flue



Distance to combustible WITH insulated flue

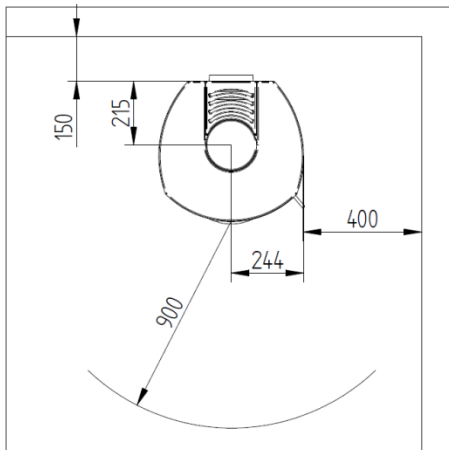


Distance to combustible WITHOUT insulated flue

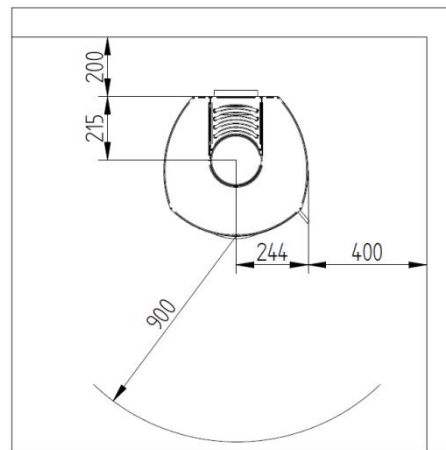


### COZY

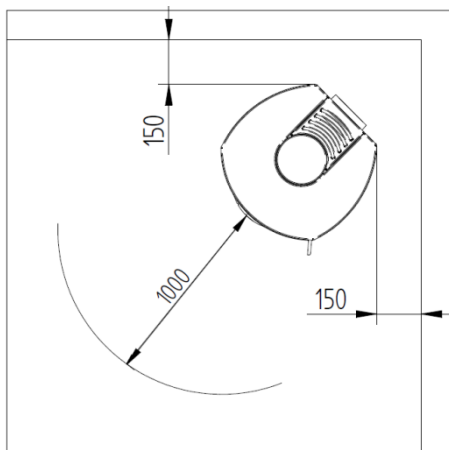
Distance to combustible WITH insulated flue



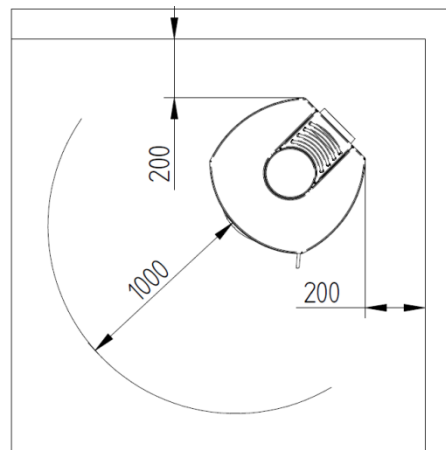
Distance to combustible WITHOUT insulated flue



Distance to combustible WITH insulated flue

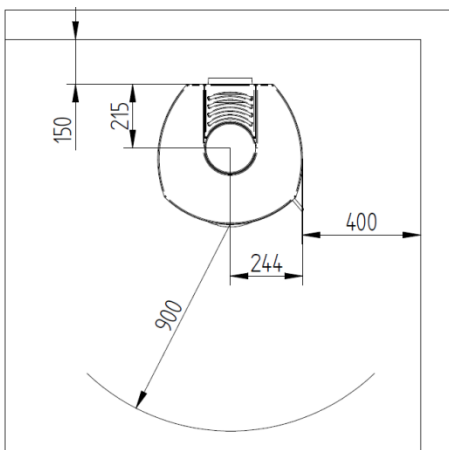


Distance to combustible WITHOUT insulated flue

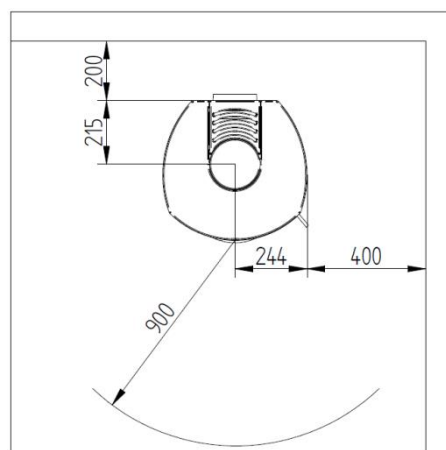


### COZY SIDEGLASS

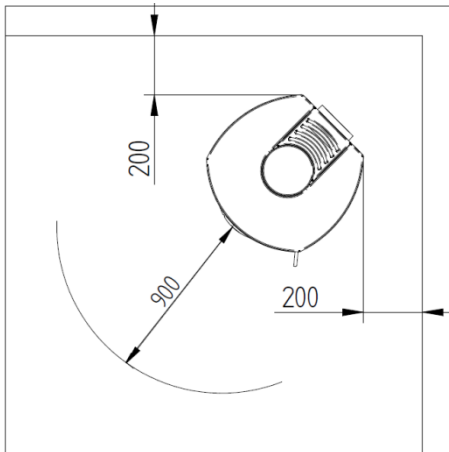
Distance to combustible WITH insulated flue



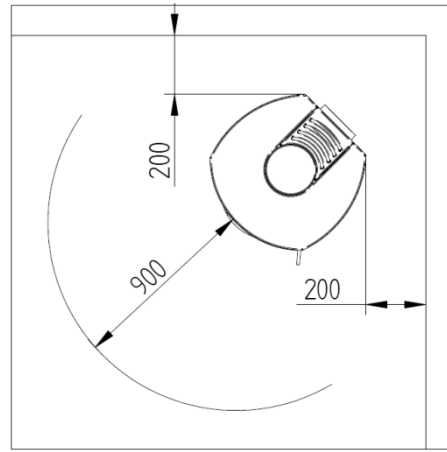
Distance to combustible WITHOUT insulated flue



Distance to combustible WITH insulated flue



Distance to combustible WITHOUT insulated flue



**Installation distances from non-combustible walls.**

We recommend a 50mm minimum distance to non-combustible materials for the sake of cleaning. The cleanout door should always be accessible.

### 3. Warranty

Jydepejsen warrants brand new wood-burning stoves for 5 years. The warranty covers:

- Production defects.
- Fire-penetration of the steel, assuming that the stove has been fired up correctly.

In case you have questions or require servicing during the warranty period, please contact your dealer who will assist you. Always inform the dealer of which model you have purchased as well as the serial number of your stove. The serial number is located on the data plate on the rear of the stove.

The following are not covered by the warranty:

- Transportation damages.
- Secondary damages resulting from the use of the stove.
- Damages resulting from incorrect use such as superheating. Such damages may be avoided by following the operating manual instructions.
- Glass, soapstone, sandstone and ceramics

If the chips are down and your stove needs repairing under the warranty, you must be able to present a dated and signed invoice stating the name of the dealer and the model. In case of repairs under the warranty, the parts and labor costs will be covered by Jydepejsen A/S. Other costs such as dismantling and remounting of the chimney will be covered by appointment with Jydepejsen A/S only.

The stove has parts that are subjected to inherent wear and tear. Such parts are not covered by the warranty and you will have to replace such parts over time. How often depends on the use of the stove.

The following parts on your stove are wearing parts:

- Vermiculite plates
- Baffle plates
- Sealing bands

If these parts need replacing, you may order them from your dealer - please refer to the Maintenance section.

## 4. Firing instructions

It is crucial to ensure optimal up-draft in the chimney, at least 12 Pa.. It is essential that the chimney and the wood-burning stove work together. In essence, the up-draft is affected by the length and area of the chimney but also its pressure tightness. The least recommended chimney length is 3.5m and the most suitable cross-sectional area is 150-200cm<sup>2</sup> (140-160mm in diameter). Your dealer or chimney sweep will be able to assist you with all chimney issues. If you have not used your chimney for a long time, it should be checked for blockages before use. In some cases, it will be relevant to install a damper device to control the up-draft in the stove.

The stove is designed and approved in accordance with EN13240 and NS 3058 for the combustion of split dry birchwood. The water content in the wood should be between 12% and 20%. Using wet wood results in tarry soot, environmental nuisances and a bad fuel economy. Recently felled wood has a water content of approx. 60 - 70% and is completely unfit for firing. Recently felled wood usually requires 1 year or more to dry. Regardless of its size, the wood should be split in order to have at least one bark-free surface.



Never use impregnated wood, painted wood, plastic laminate, plywood, chipboard, water, milk cartons, printed matter or similar as these may release toxic, corrosive or dangerous fumes when burned. Furthermore, they may produce the toxic gas, dioxin, which will damage your wood-burning stove and the environment. The use of such materials voids the warranty. **USE RECOMMENDED FUELS ONLY.**

Once this is settled, it is important that you get the stove and the chimney to work together. This may be achieved by following these instructions and use easily flammable fuel in the fire chamber until you have achieved a healthy up-draft.

Kindling and combustion problems often result from wet wood or up-draft failure in the chimney. In such cases, you should check if the passage through the flue is partially or fully blocked and if the baffle plates are positioned correctly. In case of superheating or chimney fire, shut off the air supply and monitor the status closely. Never use water to put out a chimney fire as this instantly produces steam (the water evaporation ratio is 1:1700) which could seriously damage the chimney due to the rapid pressure increase.

It is important that you know that the paint will harden the first few times you use your stove. This means that your stove will produce smoke and smell which will disappear after approx. 1 hour. Airing is recommended at this stage. Furthermore, you should not touch the stove until the paint has hardened as it might peel off.

Sheet iron wood-burning stoves may produce a crackling sound during the kindling and cooling stages. This is normal for sheet iron stoves and is not a defect.

Note! The stove and the chimney react differently in cold, respectively, warm weather and on windy, respectively, quiet days. Hence, you should adjust the air flow.



Important re. the air control Primary air supply:  
Must be turned all the way to the right. May only be used as a start-up mechanism.

### Start-up stage

1. Turn the air wheel to the maximum
2. Add firelighters and billets to the bottom of the fire box (combustion chamber).
3. The billets (about 1,5 kg) are to be built up crosswise.
4. Light the fire.
5. The door should be ajar for a couple of minutes during the lighting phase.
6. The air wheel must be adjusted down after approx. 10 minutes; how much depends on the chimney draught - however, the air supply must be diminished to the point where you obtain steady and calm flames.

### Stoking

This wood-burning stove is intermittent, meaning that fresh wood is required for stoking once an adequate layer of embers has been achieved on the fire chamber floor. The heat requirement determines the amount of stoking, and the level of stoking depends of the season.





It is important to keep the door closed when flames are visible in the fire chamber to avoid smoke nuisances in the room.

1. Turn the air wheel to the maximum.
2. To minimize the underpressure, the door should be ajar for about one minute before you open it completely.
3. Open the door slowly.
4. Place two pieces of firewood in the combustion chamber, each of a length of 260 mm and of a total of approx. 1.4 kg, parallel to the glass and approx. 1 to 2 cm apart. (The test results have been achieved by positioning the pieces of firewood alongside and behind each other). The stoking interval is approx. 48 minutes.
5. Close the door.
6. Turn down the air supply when the fire has caught the wood, to obtain steady and calm flames. (The test results at 12 Pa have been achieved by a start-up setting of fully open for 2:00 minutes to the first click from the right. After 3:00 minutes, the setting is adjusted to between 1<sup>st</sup> and 2<sup>nd</sup> click from the right.)

### **Emptying the ash pan**

Open the door and remove the ash pan from a cold stove. Use a closed steel container to store the ash and/or transport it and discard it in a secure manner. Note: embers may be hidden in the ash for several days.

## **5. Maintenance**

Sealing bands and vermiculite plates are wearing parts and should be replaced as needed. How often depends of the use of the stove - some stove owners have to change the parts every year whereas others replace them every two or three years. Sealing bands should be replaced when flat and the front door is no longer tight. New sealing bands with glue may be ordered from your wood-burning stove dealer.

The vermiculite plates should be replaced when they appear worn or have deep scratches revealing the fire chamber steel. Worn vermiculite plates should be replaced in time as they will otherwise lose their heat reflection and insulation properties. Movable and mechanical parts should be greased with a heat-resistant lubricant at least every year (locking mechanism, hinges, etc.)

The stove and the chimney should be checked regularly by a qualified professional to ensure the optimal function of the stove. It is illegal to make unauthorized changes to wood-burning stoves and doing so will void the warranty and the test results.

### **Renewal of the sealing band at the door**

1. Remove the sealing band from the inner frame and clean the band mark (it is not necessary to remove the door from the stove).
2. Add a band of heat-resistant glue on the band mark.
3. Push new sealing band down into the mark.
4. Close the door and let the glue harden for about 24 hours, before you open the door again. If you do not let the glue harden sufficiently before you open the door, the band may fall out.

### **Renewal of the sealing band at the Glass (Cosmo, Cubic, Mido, Cozy Classic)**

1. Dismount the screws on the door.
2. Lift off the glass.
3. Remove the old sealing band from the glass.
4. Add new sealing band to the glass.

### **Renewal of the sealing band at the Glass (Cozy Modern)**

1. Dismount the top glass list
2. Lift off the glass.
3. Remove the old sealing band from the glass.
4. Add new sealing band to the glass.

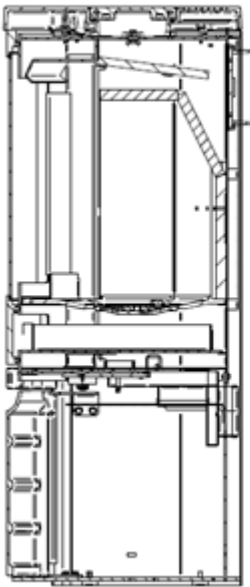
Re-mounting of the glass takes place in the opposite order.

### Change of the vermiculite panels

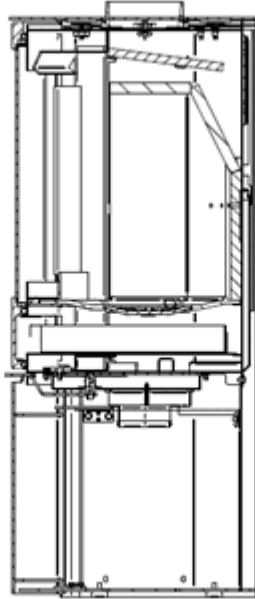
1. Take out the front smoke deflector plate.
2. Push the rear edge of the baffle plate upwards, to take out the rear panel in the combustion chamber.
3. Remove the two small, bevelled side panels.
4. Remove the two side panels in front. (Does NOT apply to Cozy Sideglass)
5. Now you can remove the lower baffle plate.
6. Then lastly, remove the top smoke deflector plate.

Change of the vermiculite panels takes place in the opposite order.

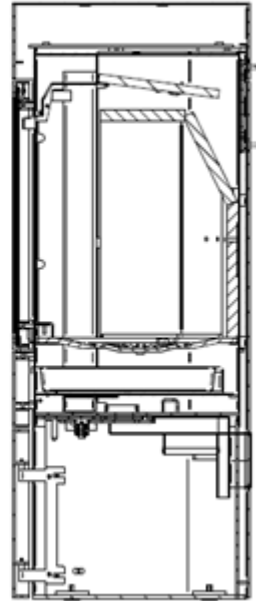
Cosmo ver. 2:



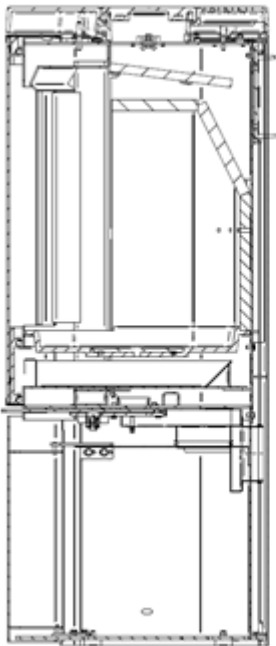
Mido ver. 2:



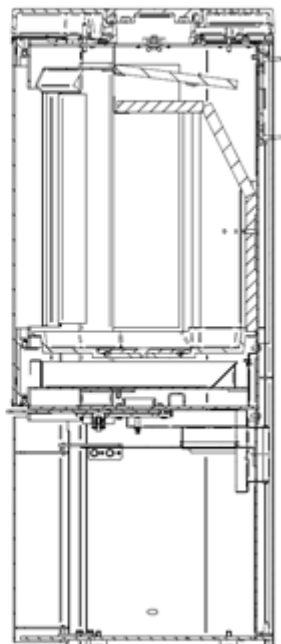
Cubic ver. 2:



Cozy



Cozy Sideglass



## 6. Combustion issues.

Combustion issues may be caused by non-optimal combustion conditions. Follow the instructions below to resolve such issues:

Issue	Explanation	Correction
<b>No up-draft</b>	<ul style="list-style-type: none"> <li>- The flue gas damper in the smoke pipe is closed.</li> <li>- Cleaning door in chimney is defective or missing.</li> <li>- A bird's nest or similar is blocking the chimney.</li> <li>- Smoke pipe sooting or soot accumulation on top of the baffle plate.</li> <li>- The chimney is too small.</li> <li>- Incorrectly fitted baffle plate.</li> <li>- Negative pressure in the home.</li> </ul>	<ul style="list-style-type: none"> <li>- Open the flue gas damper.</li> <li>- Contact your chimney sweep / wood-burning stove dealer for further instructions or clean the smoke pipe and fire chamber.</li> <li>- Check the baffle plate - please refer to the operating manual.</li> <li>- Negative pressure may occur in well-insulated buildings - increase the air flow to the room.</li> </ul>
<b>Too much up-draft</b>	<ul style="list-style-type: none"> <li>- Incorrectly fitted baffle plate.</li> <li>- If you are using kiln dried wood, less air supply is required than for normal wood.</li> <li>- DuplicAir® is permanently fully open.</li> <li>- The door sealing bands are worn and flat.</li> <li>- The chimney is too large.</li> </ul>	<ul style="list-style-type: none"> <li>- Check the baffle plate - please refer to the operating manual.</li> <li>- Reduce the supply of air.</li> <li>- Check the sealing bands. Worn sealing bands should be replaced as described in the operating manual.</li> <li>- Contact your chimney sweep / wood-burning stove dealer for further guidance.</li> </ul>
<b>The glass windows blacken</b>	<ul style="list-style-type: none"> <li>- Too much water in the wood.</li> <li>- Air supply not sufficiently open.</li> </ul>	<ul style="list-style-type: none"> <li>- Use dry wood with max 20% humidity only.</li> <li>- Open DuplicAir® to feed more air to the combustion process.</li> </ul>
<b>White glass</b>	<ul style="list-style-type: none"> <li>- Insufficient combustion (temperature in fire chamber is too low.)</li> <li>- Incorrect wood firing (use of cull, painted wood, impregnated wood, plastic laminate, plywood, etc.)</li> </ul>	<ul style="list-style-type: none"> <li>- Follow the instructions for correct firing as described in this manual.</li> <li>- Make sure you use clean and dry wood in your stove.</li> </ul>
<b>Smoke fills the room when the door is opened</b>	<ul style="list-style-type: none"> <li>- Pressure equalization occurs in the fire chamber.</li> <li>- The chimney and the wood-burning stove are not cooperating.</li> <li>- The door is opened with a fire in the fire chamber.</li> </ul>	<ul style="list-style-type: none"> <li>- Open the air supply completely for about 1 minute before opening the door - avoid opening the door too quickly.</li> <li>- Check the height of the chimney as this may be insufficient to provide the minimum up-draft required for this stove.</li> <li>- Never open the door when you see flames, only embers.</li> </ul>
<b>White smoke</b>	<ul style="list-style-type: none"> <li>- The combustion temperature is too low.</li> <li>- The wood is too damp and contains water vapor.</li> </ul>	<ul style="list-style-type: none"> <li>- Increase the air supply.</li> <li>- Make sure you always use clean and dry wood in your stove.</li> </ul>
<b>Black or greyish smoke</b>	<ul style="list-style-type: none"> <li>- Incomplete combustion</li> </ul>	<ul style="list-style-type: none"> <li>- Increase the air supply.</li> </ul>

## 7. Cleaning

### In general

Generally, Jydepejsen wood-burning stoves are maintained in the same way as you would other furniture, i.e. using a dust cloth and a solvent-free mild soap solution. Following cleaning, wipe the stove with a dry cloth. The painted surfaces of the stove may be carefully re-painted with spray paint, type Senotherm 12-1644, charcoal grey or grey depending of the color of the stove. This spray paint may be purchased from your wood-burning stove dealer.

### Glass

ONLY Clean glass with cleaner designed and suitable for stove glass. Other types of cleaner can damage the coating of the glass. For more information, inquire your distributor.

### Ceramics

It is simple to maintain ceramics from Jydepejsen. Usually, it suffices to wipe the tiles with a damp cloth. Use a mild soap solution in case of heavier soiling. Ceramic tiles are intolerant of strong acids and lye like most other natural products. Consequently, you should avoid using strong detergents. With correct and careful maintenance, your ceramic tiles will radiate heat and character for many years.

### Soapstone

It is very simple to clean soapstone. Usually, it suffices to wipe soapstone with a damp cloth wrung in lukewarm water. Avoid all types of detergent. Minor scratches may be repaired using very fine sandpaper with a grit size of 240. Contact your dealer if a soapstone tile needs repairing.

Brown discoloration occurs when soapstone is heated to over 500°C. In such cases, the soapstone has been superheated which is not covered by the warranty. If you maintain the soapstone facing on your stove correctly, it will keep its beautiful character for many years.

### Inside

You should remove the ash from the stove regularly. However, we recommend leaving a layer on the bottom as this contributes to insulating the fire chamber. Your stove should be thoroughly checked and cleaned at least once in the firing season.

### Cleaning instructions

You should remove the baffle plate(s) prior to sweeping the stove. This allows loose soot from the chimney to fall into the fire chamber. Use this manual to determine if your stove has one or two baffle plates and how to remove it/them. You should close the air supply to prevent soot and ash from entering the room. Following sweeping, remove ash and soot from the vermiculite support in the fire chamber. Then re-fit the baffle plate(s).

## 8. Spare parts overview

Type	Description	Article. No.
Vermi set Cosmo + Mido + Cozy	Incl. baffle plate	44101000-0
Vermi set Cozy	Incl. baffle plate	56761270
Vermi set Cubic	Incl. baffle plate	56109000
Glass Cosmo + Mido + Cozy Classic	489 x 67 x 4 mm. R=300	56700020
Glass Cubic	469 x 458 x 4 mm.	56100039
Glass Cozy Modern	473,36 x 656 x 4 mm. R=305	56761020
Glass Cozy, side – inside	504 x 150 x 4 mm.	56761221
Glass Cozy, side – outside (steel model)	477 x 142,60 x 4 mm.	56761220
Glass Cozy, side – outside (stone model)	485 x 148 x 4 mm.	56766528
Shaking grate Cosmo, Cubic, Mido	Ø 162 mm.	55000100
Shaking grate Cozy	Ø 165 mm.	56761211
Ash pan Cosmo + Mido	Capacity: 4,2 l.	56700058
Ash pan Cubic	Capacity: 3,5 l.	55104170
Ash pan Cozy	Capacity: 4,1 l.	56761105
Gasket set	Ø 12 mm.	44300120
Cast iron bottom Cosmo + Cubic + Mido	Thickness: 9 mm.	55015150
Cast iron bottom Cozy	Thickness: 8,5 mm.	56761210
Cast iron bottom Cozy Sideglass	Thickness: 8,5 mm.	56761215
Wood holder Cosmo + Mido		56700047
Wood holder Cubic		56100023



Ahornsvinget 3-7  
Nr. Felding  
7500 Holstebro  
+45 9610 1200  
salg@jydepejsen.dk  
www.jydepejsen.com