

Spacer Kit

ACCESSORY

OSP004



Balmoral



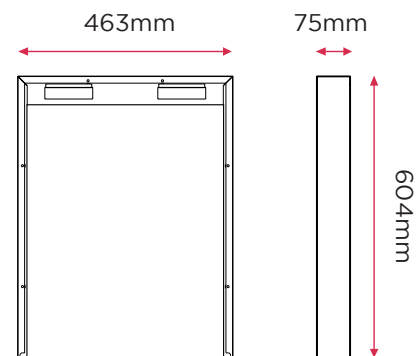
Savena

The spacer kit is suitable for the Balmoral & Savena range of electric fires. It enables the Balmoral & Savena to become a stand alone fire and be installed against a flat wall, without the need for a surround or back panel. This spacer kit fits to the back of the electric fire and offers an alternative option where there is limited space requirements.

| Product Code | Model | Colour |
|--------------|---------------------------------------|--------|
| X-048264 | OSP004 Spacer Kit - Balmoral & Savena | Black |

Balmoral & Savena Electric Fires

| Product Code | Model | Colour |
|--------------|--------------------------|----------------|
| X-047489 | BAL20BL Balmoral Ecolite | Black |
| X-047496 | BAL20BR Balmoral Ecolite | Brass |
| X-047502 | BAL20CH Balmoral Ecolite | Chrome |
| X-048257 | SAV20BL Savena Ecolite | Black |
| X-048240 | SAV20BR Savena Ecolite | Brass |
| X-047519 | SAV20CH Savena Ecolite | Brushed Chrome |



| Dimensions & Weight | | | |
|---------------------|------------|------------|-------------|
| Height (mm) | Width (mm) | Depth (mm) | Weight (kg) |
| 604 | 463 | 75 | 1.5 |

Tel: 0344 879 3588 www.dimplex.co.uk

Glen Dimplex's policy is one of continuous improvement, the Company therefore reserves the right to alter specifications without notice.