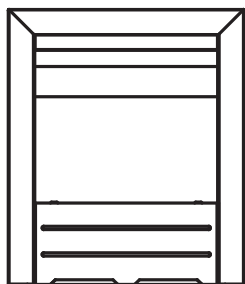
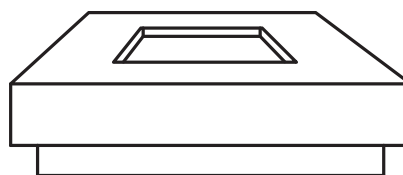


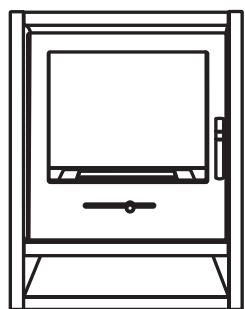
# BIO-ETHANOL FIRE SAFETY MANUAL FOR:



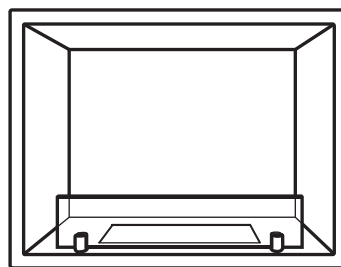
**INSET FIRES**



**FREE STANDING**



**STOVES**



**FIREBOXES**

**This manual is for the following models:**

OKO S1	OKO S2	Bellini	BEF0014 (S1)	BEF0014 (S2)	FP-E061S
BEF0007	BEF0008	BEF0001	BEF0009	FP-079T	FP-011T
BEF0010	BEF0012	BEF0013	BEF0015	BEF0018 (S3)	BEF0019
BEF0020	BEF0021	OKO S1-R	OKO S2-W	OKO S2-D	OKO S4
OKO S5	OKO S6				

\*Distances from combustible materials for each product may vary.  
Please see specific Installation Guide supplied with the product.

[www.firedupcorporation.com/manual](http://www.firedupcorporation.com/manual)

# Read ALL the instructions before use.

These instructions are for your safety. Please read through them thoroughly before use and retain for future reference. Failure to follow them could cause injury and/or property damage.

Note: This manual applies for a number of different products. Please make sure you follow the appropriate product guide lines.

## CONTENTS

### SECTION 01 - INTRODUCTION

Introduction	03
Cautions	03-06
Important safety information	05-07
Safety symbols	07

### SECTION 02 - IMPORTANT SAFETY INFORMATION

WARNING!	08
Installation and location	08
Adding fuel	09
Lighting	10
During use	10
Extinguishing	10-11
Caring for your product	11

### SECTION 03 - INSTALLATION & GUARANTEE

Installation	12-15
Guarantee	16
Contacts	16

# INTRODUCTION



**WARNING: FAILURE TO FOLLOW INSTRUCTIONS MAY RESULT IN FIRE, PROPERTY DAMAGE, SERIOUS INJURY OR DEATH.**

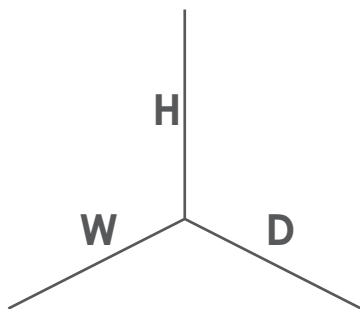
The contents of this manual are intended to provide simple and informative instructions on how to safely install and use your bio-ethanol fire. Before assembling the product, please take the time to read this manual thoroughly.

Please bear in mind that bio-ethanol fires use a real, uncovered flame which by nature requires extra care and attention during use.

## PLEASE KEEP THIS MANUAL FOR FUTURE REFERENCE

### General Information

Before using your bio-ethanol fire you will need to determine whether the space is suitable for the product to be used safely. Using your bio-ethanol fire in a room smaller than that stipulated below and without sufficient ventilation may result in headaches or sickness. If this occurs, extinguish the fire immediately and open all doors and windows. To calculate the Volume of the room:



$$\text{Room size} = H \times W \times D = \text{m}^3$$

**If this value is less than the Minimum Room Volume stated for the fire DO NOT USE**



**IMPORTANT:** Remove all packaging before use, but retain the safety instructions. **DO NOT** remove the warning labels from the unit.

## BIO ETHANOL FIRES

Model No. *	Weight (kg)	Burner Size (L)	Min Room Vol.(m3)	Approx. Burn time (hrs)
BEF0001	10	1.5	63	3.5
BEF0007	2.5	1.5	63	3.5
BEF0008	4.2	3L	80	9.5
BEF0010	2.8	0.5	50	2.5
BEF0011	5.4	1.5	63	3.5
BEF0012	21.6	1.5	63	3.5
BEF0013	6.7	1.5	63	3.5
BEF0014	3.5	1.5	63	3.5
BEF0015	0.9	0.5	50	2.5

\*Model numbers can be located on the label attached to the product

## IMPORTANT SAFETY INFORMATION

Please take the time to familiarise yourself with **ALL** the information contained within this section of the manual.



**DO NOT** pour fuel into the open flame. Do not pour fuel into the burner whilst it is still hot.



**DO NOT** put any objects onto the fire.



**DO NOT** put fireplace in a draft.



**DO NOT** fan the fire.



**DO NOT** touch the flames.



**DO NOT** position the fire near combustible items.

# IMPORTANT SAFETY INFORMATION

Please take the time to familiarise yourself with **ALL** the information contained within this section of the manual.



Keep suitable extinguishing agent ready.



Adhere to **ALL** instructions about bio-ethanol fuel.



Fire danger / oxidising / combustible



Do not smoke when handling / filling bio-ethanol fuel.



Harmful.

## WARNING!

- Never leave children unsupervised in a room where the fire is ON and unguarded.
- Never obstruct or cover or force items into fire openings.
- Never install or use the fire anywhere where water is in use, i.e. Bathrooms, Kitchens, Shower Rooms, and Swimming Pools etc.
- Never use aerosols or steam cleaners on or around the fire.
- Never use the fire to dry clothes etc.
- Never sit or stand on the fire.
- Never lean or put weight on the fire.
- Do not use outdoors.
- Do not sit the fire on deep pile carpets or rugs.
- This product is **NOT** for permanent use.
- This product is **NOT** for continuous operation.
- This product is **ONLY** intended for domestic use.
- This product must **NOT** be hired out for contract purposes.
- This product is **NOT** intended for cooking or heating food.
- This product must **NOT** be used a room with a minimum volume less than that recommended the model specific information section of this instruction manual and without sufficient ventilation. Failure to comply may result in headaches or sickness.

- If anyone in the vicinity of the fire experiences sickness or headaches, extinguish the fire immediately and open all doors and windows.
- Once lit, **DO NOT** pour bio-ethanol liquid into the fire.
- **DO NOT** leave a lit fire unattended at any time.
- **DO NOT** use the bio-ethanol fire as a main source of heating.
- **FIRE HAZARD** – Hot liquid.
- **DO** ensure all safety precautions in this manual are followed.
- **DO** familiarise yourself with the procedure for extinguishing the fire **BEFORE** lighting.

## BEFORE YOU START

We recommend the following equipment is available at all times and clearly visible before lighting the fire:

- The metal extinguishing tool supplied with the fire.
- An alcohol resistant foam, BC powder or carbon dioxide fire extinguisher (not supplied).
- A protective mat placed beneath the fire in instances where the fire is to be positioned on a wooden, plastic or glass table.
- A protective mat may be made of slate or marble, be a cast iron or stainless steel trivet, or a heat resistant fabric mat, which can be purchased from cookware retailers.
- A carbon monoxide detector in the room in which you intend to use your bio-ethanol fireplace.
- A long stem lighter

We also recommend a set of heat resistant gloves when preparing and lighting the fire.

## INSTALLATION AND LOCATION

NOTE: These instructions are to be used in conjunction with building regulations. Please observe local legislation in relation to installation and use of bio-ethanol fires.

- Please ensure the wall/table/floor you are placing this appliance can bear its weight.
- You **MUST** use this product in a well ventilated area.
- **DO NOT** use this bio-ethanol fire in any small enclosed unventilated spaces such as lofts or basements.
- You **MUST** locate this product in a location where it will **NOT** be subject to a strong draught or wind.
- **DO NOT** place the fire in front of a window.
- You **MUST** only use this fire in rooms according to this manual.
- You **MUST** locate the fire at least 1m away from curtains and any other flammable materials.
- **DO NOT** place it on or near any highly combustible/flammable surfaces or materials.
- **DO NOT** use this bio-ethanol fire under any outdoor awnings, parasols, sun umbrellas, gazebos or in a tent.
- A protective mat **MUST** be placed beneath the fire in instances where the fire is to be positioned on a wooden, plastic or glass table (protective mat not supplied)
- A protective mat may be made of slate or marble, be a cast iron or stainless steel trivet, or a heat resistant fabric mat, which can be purchased from

cookware retailers.

- **DO NOT** locate the fire in a location where it could be knocked or tipped over.
- **DO NOT** use this bio-ethanol fire on anything other than a suitably strong, stable, flat, level, permanent, heat and scratch resistant, low surface in a well ventilated area.
- **DO NOT** reposition the fire when in use, only move the fire when it has cooled completely.
- **DO NOT** position the fire below a wall-hung television, or beneath overhanging lights.
- **DO NOT** locate the fire within 1m of a television.
- **DO NOT** locate the fire in an area where children and/or animals play.
- **See minimum requirements for combustible distances on page 10.**
- **If enclosures dont allow for the distances stated on page 10, you MUST use non- combustible materials.**

## ADDING FUEL

- This product is **ONLY** suitable for use with bio-ethanol liquid fuel.
- **ALWAYS** follow the fuel safety guidelines on the back of the bio-ethanol fuel bottle.
- **DO NOT** use petrol, white spirit, lighter fluid, alcohol, gel fuel, citronella oil or similar chemicals to light the fire as this will damage the product and may cause property damage, serious injury or death.
- **ALWAYS** inspect the unit prior to adding fuel for fatigue and damage and replace as and when necessary.
- **ALWAYS** use the funnel provided to fill the fuel tray.
- **ALWAYS** ensure that the whole unit and fuel container is fully extinguished and cool prior to fueling.
- **DO NOT** re-fill the fuel tray with bio-ethanol liquid when the bio-ethanol fire is in use or still hot.
- **DO NOT OVERFILL THE FUEL TRAY WITH FUEL**
- There is a maximum level mark on the inside of the fuel tray. **DO NOT** fill the fuel tray with bio-ethanol liquid above the maximum mark.
- If any spillages have occurred when filling the fuel tray, ensure you clear up the spilled fuel before use. Any fuel spilled can be removed by wiping the fuel up with a dry cloth then removing any remaining residue with a damp cloth
- **DO NOT** use any chemicals to clean up spillages or to clean the bio-ethanol fireplace.
- Only use luke warm water and a soft cloth to clean the bio-ethanol fire.
- Only add more bio-ethanol liquid when the flame has been properly extinguished and the fire is **COMPLETELY COOL.**
- **DO NOT POUR FUEL DIRECTLY ONTO A LIT FLAME, OR INTO A WARM FUEL CONTAINER.**

## LIGHTING

NOTE: Before lighting we highly recommend familiarising yourself with the procedure(s) for extinguishing the fire.

- Ensure there are no flammable materials within 1m of the bio-ethanol fire.
- **DO NOT** ignite the device if it is still warm.
- **DO NOT** smoke when lighting the fire.

- **DO NOT** light the fire in a room which already contains a burning fire.
- To light the bio-ethanol liquid fuel use a **long stem lighter** at arms length at a minimum distance of 140mm from the handle of the lighter to the opening of the bio-ethanol burner.
- It is recommended that you use heat resistant gloves (not supplied) when preparing this unit for use and lighting the bio-ethanol liquid.
- The extinguishing plate must remain completely open once the bio-ethanol liquid fuel has been lit. When you want to extinguish the flame and when **NOT** in use, the extinguishing plate must remain firmly closed.

## DURING USE

- After approximately 5 minutes the flame will change from a small blue flame to a larger yellow flame and will burn hotter than when first lit.
- Once alight **DO NOT** move or handle the bio-ethanol fire as it will be hot.
- The metal extinguishing tool should be kept close to the fire at all times, especially when alight.
- **DO NOT** leave unattended.
- Beware of hot surfaces.
- **DO NOT** touch the flame.
- **DO NOT** put anything on top of the fire or cover the fire and/or the fire glass.
- **DO NOT** smoke in the vicinity of the fire.
- **DO NOT** close all windows and doors whilst the fire is in use.
- **DO NOT** use this product in a strong draught or wind.
- **DO NOT** light the fire in a room which already contains a burning fire.
- **DO NOT** use this bio-ethanol fire in the rain.
- **DO NOT** move the bio-ethanol fire whilst alight as it will be hot.
- **ALL** of the bio-ethanol fire surfaces will become hot during use: **HANDLE WITH CAUTION.**
- Keep children and pets at a safe distance from the bio-ethanol fire when in use, whilst still hot or with hot fuel.
- **DO NOT** leave children unattended with the fire whilst in use, still hot or with hot fuel.
- **DO NOT** reposition the fire when in use, only move the fire when it has cooled completely.

## EXTINGUISHING

- It is recommended that heat resistant gloves (not supplied) are used when handling any part of the fire.
- Keep the extinguishing tool with the fire at all times.
- **DO NOT** douse the bio-ethanol fire with water even in an emergency.
- **DO NOT** attempt to blow out the flame, as the additional airflow will increase the flame size and strength and not extinguish the flame.
- To extinguish the bio-ethanol fire allow all bio-ethanol liquid to burn completely so there is no residue remaining in the fuel tray.
- If the fire is burning, using the extinguishing tool provided close the extinguishing plate covering the fuel tray completely, this will starve the flame of oxygen preventing it from burning.
- Keep the stainless steel extinguishing plate firmly closed until the whole product is cool and the flame is extinguished.



- The fuel tray **MUST** be completely covered by the extinguishing plate.
- **DO NOT** handle or return to the product until the flame has been completely extinguished.
- Once the fire is completely cool you may return to the product.

#### IN AN EMERGENCY:

- Using the metal extinguishing tool provided, firmly close the stainless steel extinguishing plate across the fuel tray.
- Use an alcohol resistant foam, BC powder, or carbon dioxide fire extinguisher.
- Ensure the stainless steel extinguishing plate is completely closed covering the fuel tray entirely.
- **DO NOT** douse the bio-ethanol fire with water even in an emergency.
- **DO NOT** attempt to blow out the flame, as the additional airflow will increase the flame size and strength and not extinguish the flame.

Once cool:

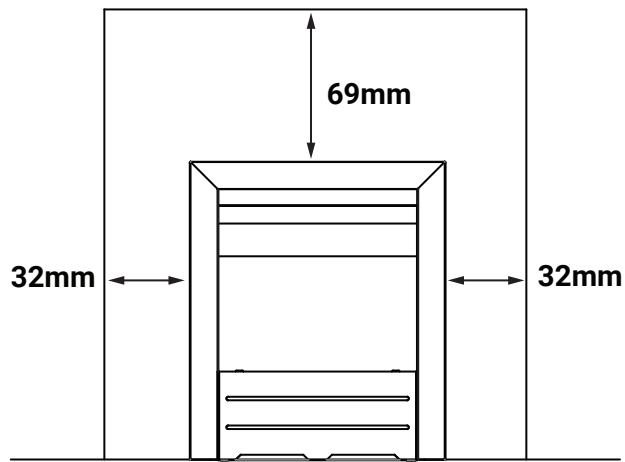
- Ensure there is no fuel remaining in the fuel tray.
- Keep the extinguishing plate firmly closed.

## CARING FOR YOUR PRODUCT

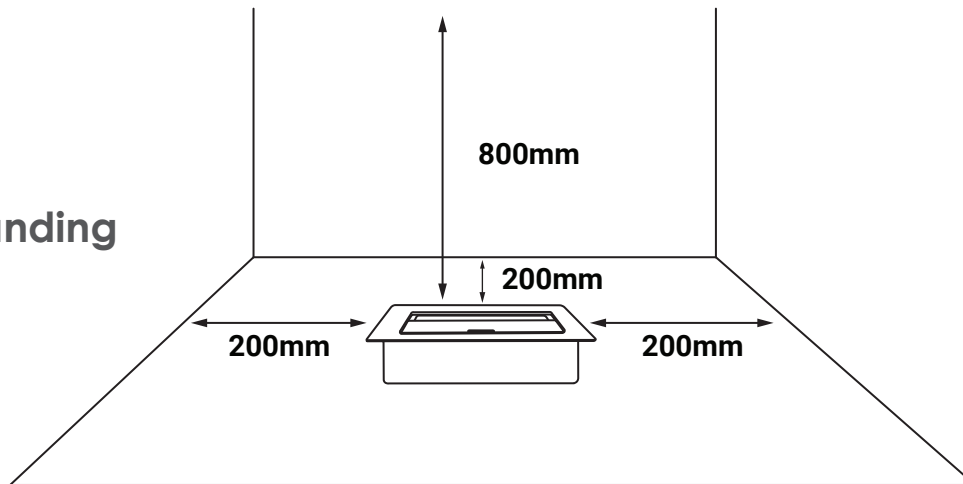
- **DO NOT** alter the design or construction of this fire in any way.
- **DO NOT** use any replacement parts from any other manufacturer.
- When not in use, ensure there is no fuel remaining in the fuel tray.
- To clean the fuel tray use lukewarm water and a soft cloth. It is also recommended that you use a good quality stainless steel cleaner on the fuel tray.
- **ONLY** use a damp soft cloth on the fireplace base unit.
- When not in use, store the unit indoors in a dry, cool place, out of reach of children.
- Take special care when storing the bio-ethanol liquid fuel.
- For suitable fuel storage, please follow the directions for use and storage on the bio-ethanol liquid packaging.
- Prior to next use, check all components of the product for fatigue, ensuring that the secondary fuel container does not contain any fuel. Any residual fuel must be removed, drained and cleaned before use.
- The stainless steel fuel tray will tarnish from first use and if placed outside, this is normal and to be expected.
- Reposition the fireplace regularly to prevent the surface underneath the fireplace from fading.

## MINIMUM DISTANCES TO COMBUSTIBLE MATERIALS

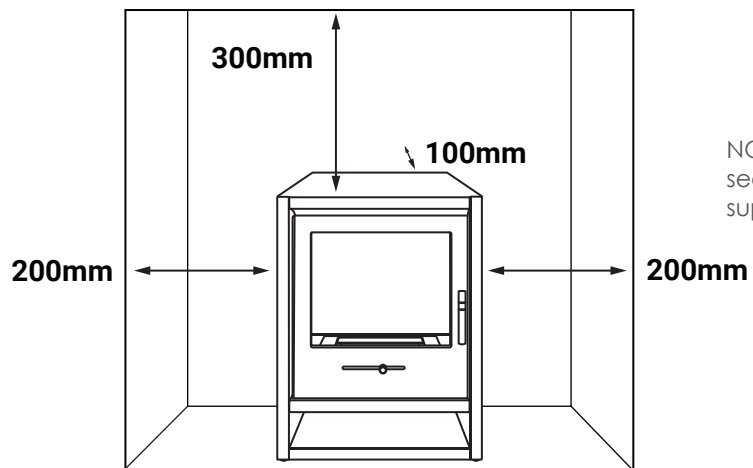
Inset Fires



Free Standing

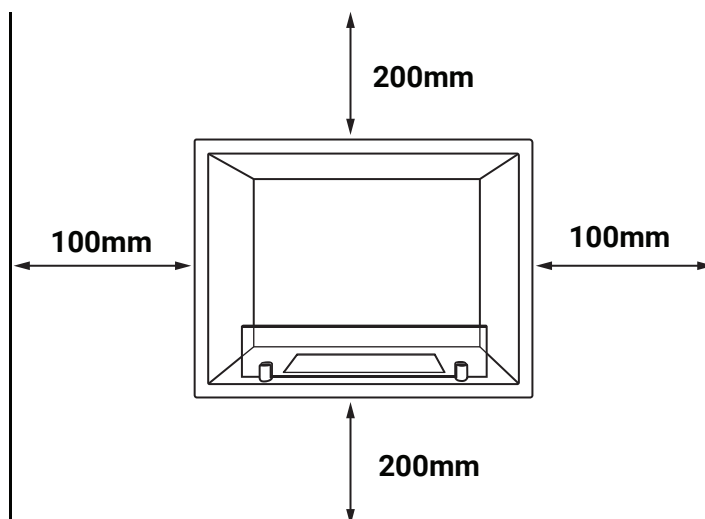


Stoves



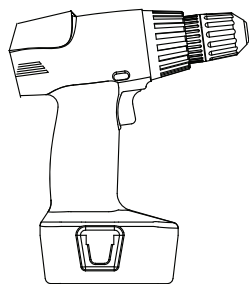
NOTE: Distances may vary, please see specific Installation Guide supplied with the product.

Fireboxes



# TOOLS REQUIRED FOR INSTALLATION

An electric drill



A crosshead screwdriver



A 6mm diameter masonry bit



A 2mm diameter drill bit

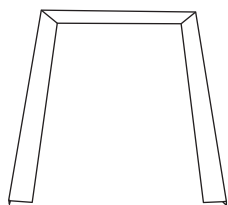


A pencil

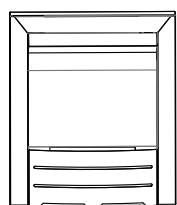


## PARTS SUPPLIED

### Inset Fire



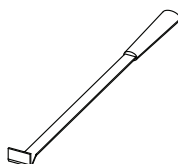
1 x Trim



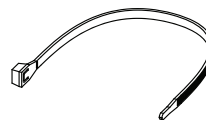
1 x Fire Body



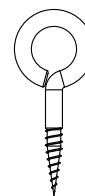
1 x Bio-Ethanol Burner



1 x Flame Control Tool



1 x Cable Tie

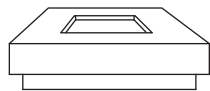


1 x Hook Screwhead



1 x Filler Funnel

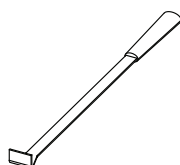
### Free standing



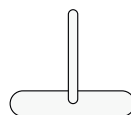
1 x Free standing Box\*



1 x Bio-Ethanol Burner

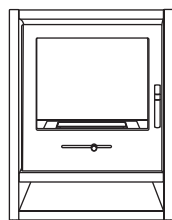


or



1 x Flame Control Tool

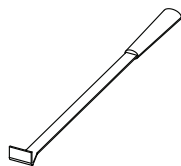
### Stove



1 x Stove



1 x Bio-Ethanol Burner

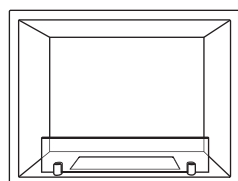


1 x Flame Control Tool



1 x Filler Funnel

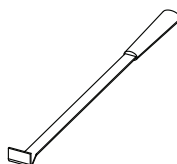
### Firebox



1 x Firebox



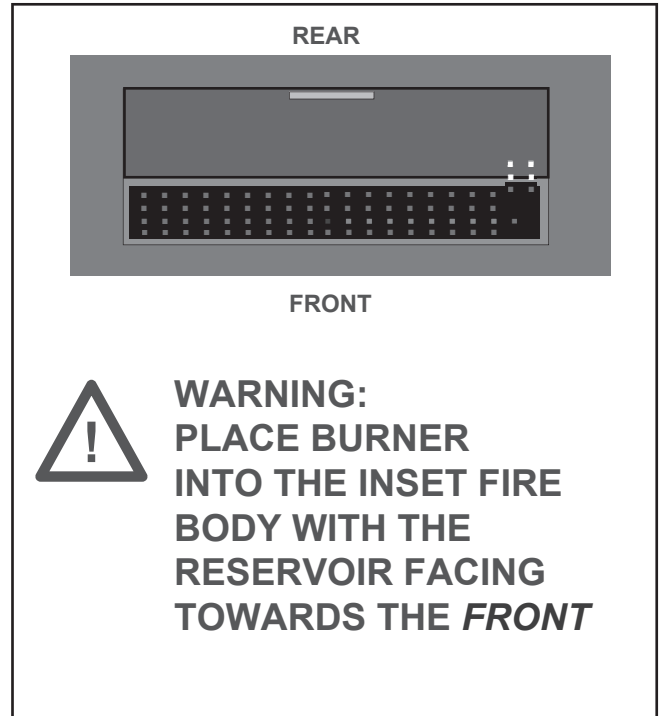
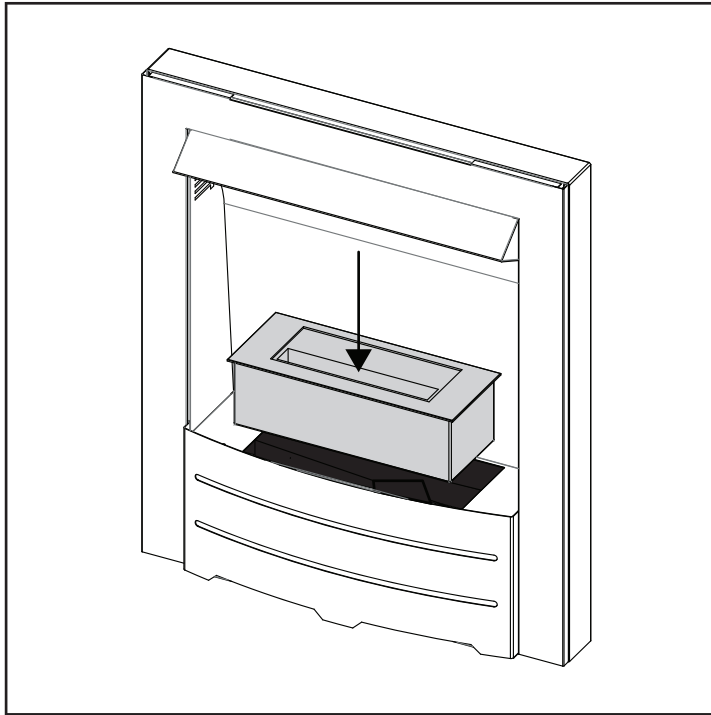
1 x Bio-Ethanol Burner



1 x Flame Control Tool

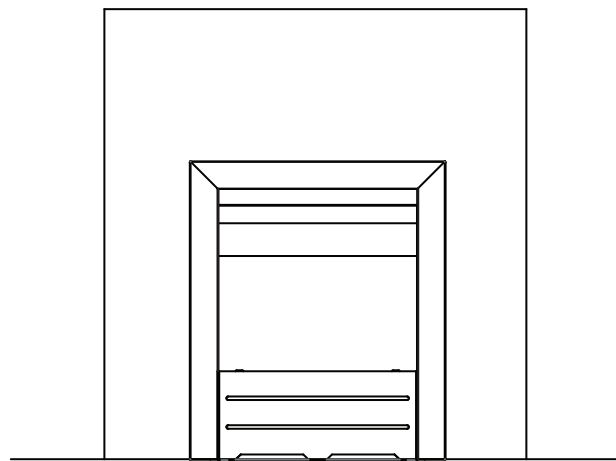
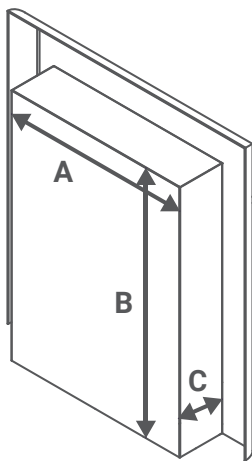
4 x Neoprene strips

**IMPORTANT: ON ALL MODELS PLEASE ENSURE THE BURNER RESERVIOR IS FACING THE FRONT OF THE FIREPLACE**



## INSTALLATION (For Inset Fires Only)

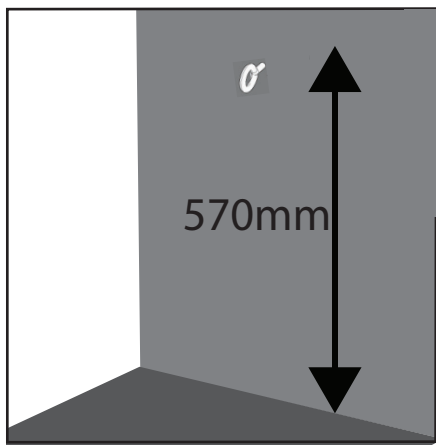
This fire is suitable to fit into surrounds with a minimum opening (A & B)



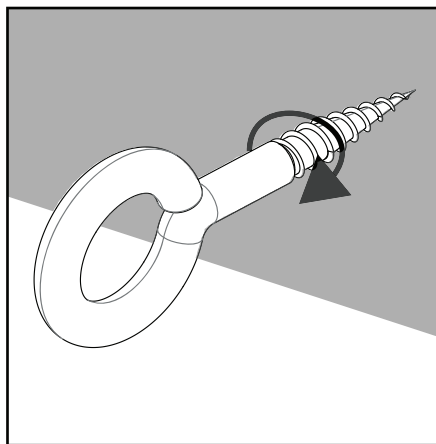
- A** 420mm  
**B** 570mm  
**C** Trim styles & spacer options vary the depths typically between 55 - 105mm

## FITTING AN INSET FIRE

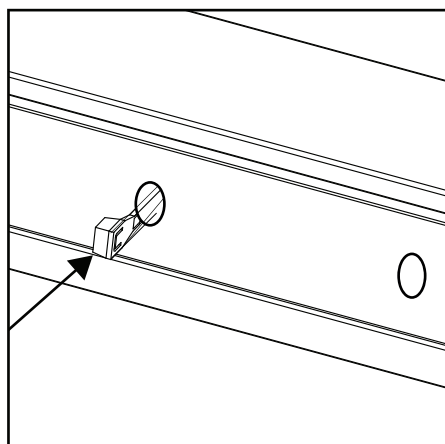
Installing the fire where a stone or marble back panel is used



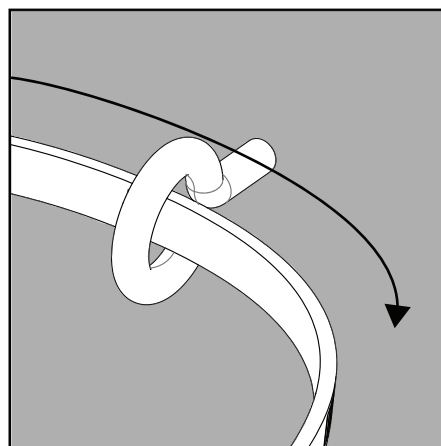
1. For solid walls, drill the 2 holes approximately 35mm deep using a 6mm diameter drill bit. Note if fitting the fire to plaster board with a cavity behind then propriety wall fixings (not supplied) will be required.



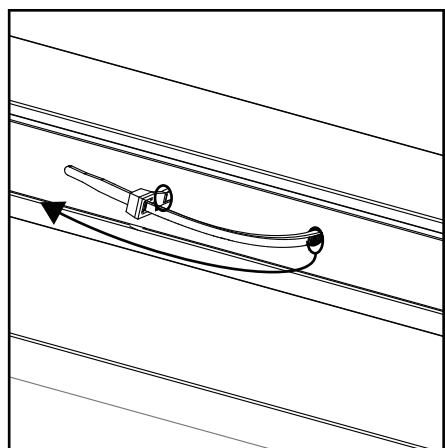
2. Insert wall plug into wall, then tighten the hook screwthread into the wall plug.



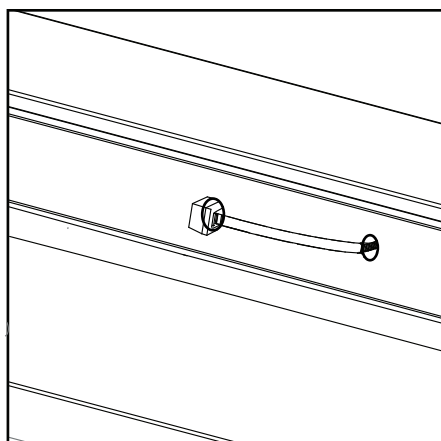
3. Pass cable tie through the larger hole on the fire body trim, ensuring that the head of the cable tie does not pass through this hole.



4. Pass cable tie through the hook of the threaded insert, in a clockwise direction.



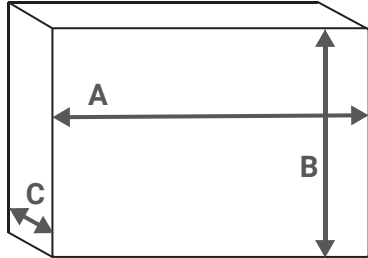
5. Threading the cable tie through the second hole in the fire body, and attach through the main head of the tie, pulling to the left to tighten the fire into position.



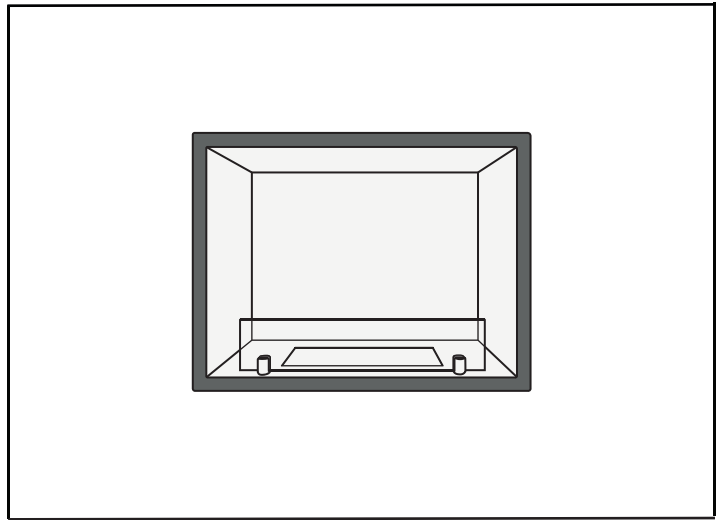
6. Once the cable tie has sufficient tension applied, the excess cable can be pushed neatly through the larger hole to be concealed out of view.

## FITTING A FIREBOX

This fire is suitable to fit into surrounds with a minimum opening (A & B)



<b>A</b>	420mm
<b>B</b>	570mm
<b>C</b>	<b>XXX</b>



Fit the neoprene strips behind the trim to adhere to the back panel

## CONFORMITY WITH DIRECTIVES

Conforms with relevant European Directives





## DISCLAIMER

We will not accept responsibility for any loss, damage or injury caused by installations of bio-ethanol fires other than those directly attributable to faulty workmanship or materials used by ourselves during the guarantee period. The instructions in this manual are designed to supplement those defined by building regulation, local conventions and any other applicable safety steps required by law in relation to fire safety and should not be used in isolation.

Over time the appearance of the product will tarnish through use and if kept outdoors, this is natural and unavoidable and we are under no obligation to provide repair or replacements under guarantee for cosmetic damage sustained in this manner.

## GUARANTEE


For your convenience, you are not required to complete a form and return it to us in order to validate your guarantee. However, please ensure that you retain your receipt which will act as both proof of purchase and a guarantee validation document. **We recommend that you attach your receipt to this documentation.**

Your product carries a 12 month guarantee from the date that the original purchaser receives it. If your product fails to operate to its specification, due to faulty workmanship or materials during the guarantee period, we will either repair or replace the product. We will use our discretion to determine whether to offer a repair or provide a replacement. The product will not be covered by the guarantee if it has been misused, transformed, modified or altered in any way. Over time the appearance of the product will tarnish through use and if kept outdoors, this is natural and unavoidable and we are under no obligation to provide repair or replacements under guarantee for cosmetic damage sustained in this manner.

If your product fails within the guarantee period please ensure that you have all necessary documentation available including proof of purchase (receipt or invoice with serial number, location and date of purchase) in addition to all original undamaged packaging and leaflets etc. It is strongly recommended that you inspect your product carefully before it is used or installed. For full details of your product you should refer to the instruction manual which accompanies the product. You are strongly advised to read this manual carefully in its entirety and to retain it for future reference.

This product guarantee does not affect your statutory rights.

## CUSTOMER HELPLINE

 +44 (0) 3300 882 069

 [customer.support@firedupcorporation.com](mailto:customer.support@firedupcorporation.com)



[www.firedupcorporation.com](http://www.firedupcorporation.com)

Fired Up Corporation Ltd  
Fired Up Buildings  
HD1 3LF, UK

Fired Up Corporation  
(Ireland) Ltd  
71, D02 P593, Dublin