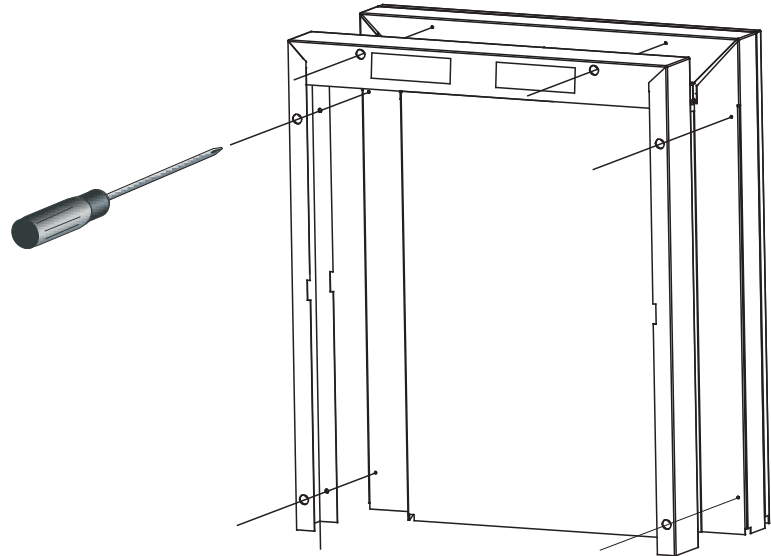


Introduction

This spacer is suitable for use with the following Inset Fires;
Balmoral, Savena.

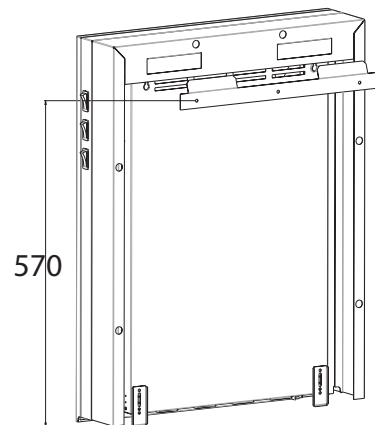
Installation

Place the spacer up against the back of the fire. Ensure that the large holes are to the open end allowing the pozi-head screw driver though.
Using the 6 screws provided and a pozi-head screw driver, screw the spacer in place ensuring that the top and side edges of the spacer line up with the top and sides of the fire frame - see diagram



Wall Fixing

Select the area where the fire is to be fixed. mark a point on the centre line of the fire 570mm off the floor. Hold the wall bracket against the wall with this mark centred on the centre hole of the wall bracket, level the wall bracket and mark the 2 outer holes. Drill the 3 holes with a suitable drill bit and fix the bracket to the wall using suitable fixings.(the fixings provided are only suited for brick/block built walls). Hang the fire on the bracket by the 2 rectangular shaped slots on the rear of the spacer.



Cleaning

For general cleaning use a soft clean duster.
Never use abrasive cleaners

08/52050/0 Issue 1

