



2022 Onward HP Li-Ion Illustrated Parts List



HP Lithium-Ion Vehicle

Manual Number 86753090123
Edition Code_A

USING THE ILLUSTRATED PARTS LIST

⚠ WARNING

- **This manual is to be used only for identification and ordering of service parts. Be sure to read and use the maintenance and service manual before attempting any vehicle repairs.**

The manual is divided into several sections. Note that there are two flags on the outside edge of each page. The first flag contains the section number of which that page is a part. The second flag contains the letter E signifying that the page pertains to lithium-ion electric vehicles.

Use the Table of Contents to find the sections and pages that contain the parts and assemblies you seek. The Table of Contents lists section numbers, and under them, the individual page titles and numbers to be found in that section. The index can be used to find specific parts and assemblies. The index is divided into numerical and alphabetical listings with the page numbers in italic text.

There is a two-page spread for each individual page title in the Table of Contents. On the left-hand page is an illustration showing the parts in their relative positions; the parts are each tagged with an item number in a balloon. The right-hand page is the parts list page, and gives the page title at the top, then the item numbers (corresponding to the numbers on the illustration), part descriptions, and quantity of parts used. Some item numbers have more than one part number because several configurations of a component are represented together on one spread.

Note that a part description may be indented. This indentation corresponds to a parts assembly level indicated by the numbers 1, 2, 3, and 4 at the top left corner of the parts description area of the parts list page. A part that is indented to *level 2* is a component of the *level 1* part (assembly) that it is listed under. A *level 3* part is a component of the *level 2* part that it is listed under, and a *level 4* part is a component of the *level 3* part preceding it. In each case, the part quantity given for a level 2, 3, or 4 part is *the quantity used per next higher level assembly of which it is a component*. A part that is not indented is a *level 1* part. This means that the quantity given is the quantity used per the portion of the vehicle illustrated on that particular spread.



**P. O. Box 204658
Augusta, Georgia 30917-4658 USA
Telephone 706-863-3000
Service Parts Fax 706-855-7413
www.clubcar.com**

HOW TO ORDER PARTS

Replacement parts and accessories can be obtained from our network of authorized dealers and distributors. You can obtain the name and phone number of your closest authorized Club Car dealer or distributor by visiting our web site at www.clubcardealer.com, by calling our toll-free Service Parts and Technical Assistance hotline at (800) 872-2246 or (706) 863-3000, extension 3887, or by scanning this Quick Response (QR) code to be taken to the Club Car dealer locator. **Refer to Figure 1.** Download a QR code reader such as RedLaser or Barcode Scanner to your cell phone or tablet.



Figure 1 Dealer Locator QR Code

CUSTOMER SATISFACTION SURVEY

Let your voice be heard!

Please take time to participate in the Technical Publications satisfaction survey. Obtaining feedback from our customers is important to the department's continuous improvement process. The online survey takes less than five minutes and responses will help the department to examine current performance as well as identify areas for future improvement.

Our top priority is to provide timely, accurate, and user friendly manuals.

The online satisfaction survey can be found at: <http://bit.ly/1w9uFMh>



Figure 2 Survey QR Code

NOTE: *This illustrated parts list represents the most current information at the time of publication. Club Car, LLC is continually working to further improve its vehicles and other products. These improvements may affect the parts used to service the vehicle. Any modification and/or significant change in specifications will be forwarded to all Club Car distributors/dealers and will, when applicable, appear in future editions of this illustrated parts list.*

Club Car, LLC reserves the right to change specifications and designs at any time without notice and without the obligation of making changes to units previously sold.

Copyright © 2021 Club Car, LLC
Club Car, Onward, Onward HP li-Ion, and Surlyn
are registered trademarks of Club Car, LLC
This manual effective July 1, 2021.

2022 Onward HP Lithium-Ion IPL

CONTENTS

SECTION 1 – BODY AND TRIM

Frame	1-3
Brush Guards	1-5
Grill Inserts	1-7
Front Bumper	1-9
Front Fenders	1-11
Front Body	1-13
Front Body Bracket Lifted 4 Pass	1-15
Dash	1-17
Floor Mat, Retainers, and Front Underbody	1-19
Kick Plate – On-Board Charger	1-21
Kick Plate – Shelf Charger	1-23
Seat Bottom with Hip Restraints	1-25
Seat Back, Backrest, and Structural Accessory Module (SAM)	1-27
Rear Body	1-29
Rear Valance	1-31
Rear Fenders	1-33
Receiver Hitch	1-35
Canopies	1-37
Canopy Struts	1-39
Front Strut Kit, Four-Passenger Canopy	1-41
Grab Handle Kits	1-43
Four-Passenger Canopy with Rear Struts – Black	1-45
Four-Passenger Canopy with Rear Struts – White	1-47
Four-Passenger Canopy with Rear Struts – Beige	1-49
Rear-Facing Seat Frame and Foot Deck – Consumer Car	1-51
Rear-Facing Seat	1-53
Hinged Windshield, Clear	1-55
Hinged Windshield, Tinted	1-57
Beverage Holder	1-59
Bucket Storage	1-61
Mirrors, Side	1-63
Golf Bag Holder	1-65
Overhead Storage	1-67
Mirror, 5-Panel	1-69

SECTION 2 – WHEELS AND TIRES

Wheel and Tire Assemblies – 12 Inch	2-3
Wheel and Tire Assemblies – 14 Inch	2-5

CONTENTS

SECTION 3 – DECALS

Decals	3-3
Decals – Badging	3-5

SECTION 4 – LIGHTS, CONTROLS AND INDICATORS

Headlights – Onward	4-3
Brake Light Switch Kit	4-5
Turn Signal Lever And Horn	4-7
Instrument Panels	4-9
Keyswitches	4-11
Bluetooth Sound System	4-13
DC/DC Converter – Electric Vehicle	4-15
Taillights	4-17

SECTION 5 – BRAKES AND PEDAL GROUP ASSEMBLIES

Rear Brakes, Self-Adjusting	5-3
Brake Cables and Equalizer Bracket	5-5
Brake Cables and Equalizer Bracket – Lifted Vehicle	5-7
Pedal Groups with MCOR	5-9

SECTION 6 – STEERING, FRONT AND REAR SUSPENSION – STANDARD HEIGHT

Steering Wheel, Comfort Grip with Clip	6-3
Steering Wheel, Comfort Grip with Logo	6-5
Steering Column	6-7
Steering Gear Assembly	6-9
Front Suspension, Upper	6-11
Front Suspension, Lower	6-13
Rear Suspension, Electric Vehicle	6-15
Rear Suspension, 4-Passenger – Consumer	6-17
Panhard Rod	6-19

SECTION 7 – STEERING, FRONT AND REAR SUSPENSION – LIFTED

Steering Wheel, Comfort Grip with Clip	7-3
Steering Wheel, Comfort Grip with Logo	7-5
Steering Column	7-7
Steering Gear Assembly	7-9
Front Suspension, Lifted	7-11
Rear Suspension, Lifted	7-13

CONTENTS

Panhard Rod	7-15
-------------------	------

SECTION 8 – ELECTRICAL SYSTEM – LITHIUM-ION

Motor Controller Output Regulator (MCOR)	8-3
Dynamic Braking Resistor	8-5
Wiring Harnesses and PDM	8-7
Bluetooth and Acc Harnesses	8-9
Forward/Reverse Switch and Tow/Run Switch	8-11
Battery and Battery Bucket	8-13
Module, Controller and Solenoids	8-15
Hazard Switch and USB Port	8-17

SECTION 9 – ELECTRIC MOTOR

Electric Motor	9-3
----------------------	-----

SECTION 10 – TRANSAXLE

Transaxle	10-3
-----------------	------

SECTION 11 – BATTERY CHARGERS

IC-650 Battery Charger – Shelf	11-3
IC-900 Battery Charger – Shelf	11-5
Cords – Battery Charger, High-Frequency	11-7
IC-650 Battery Charger – Onboard	11-9
Battery Charger Cord Reels – Onboard	11-11

SECTION 12 – MAINTENANCE AND SERVICE TOOLS

Maintenance and Service Tools	12-3
-------------------------------------	------

SECTION i – INDEX

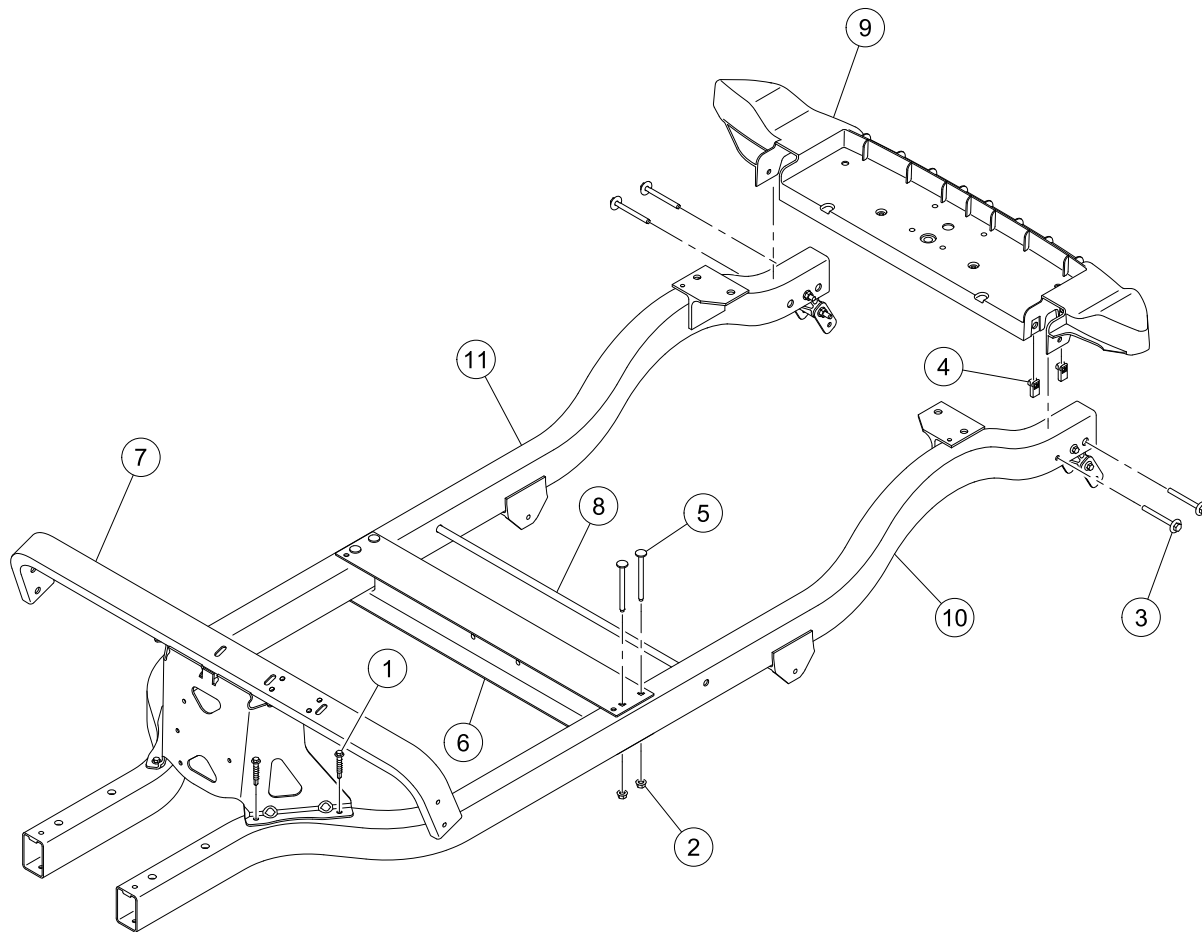
BODY AND TRIM

1

E

1

E



G-010099-000004

FRAME

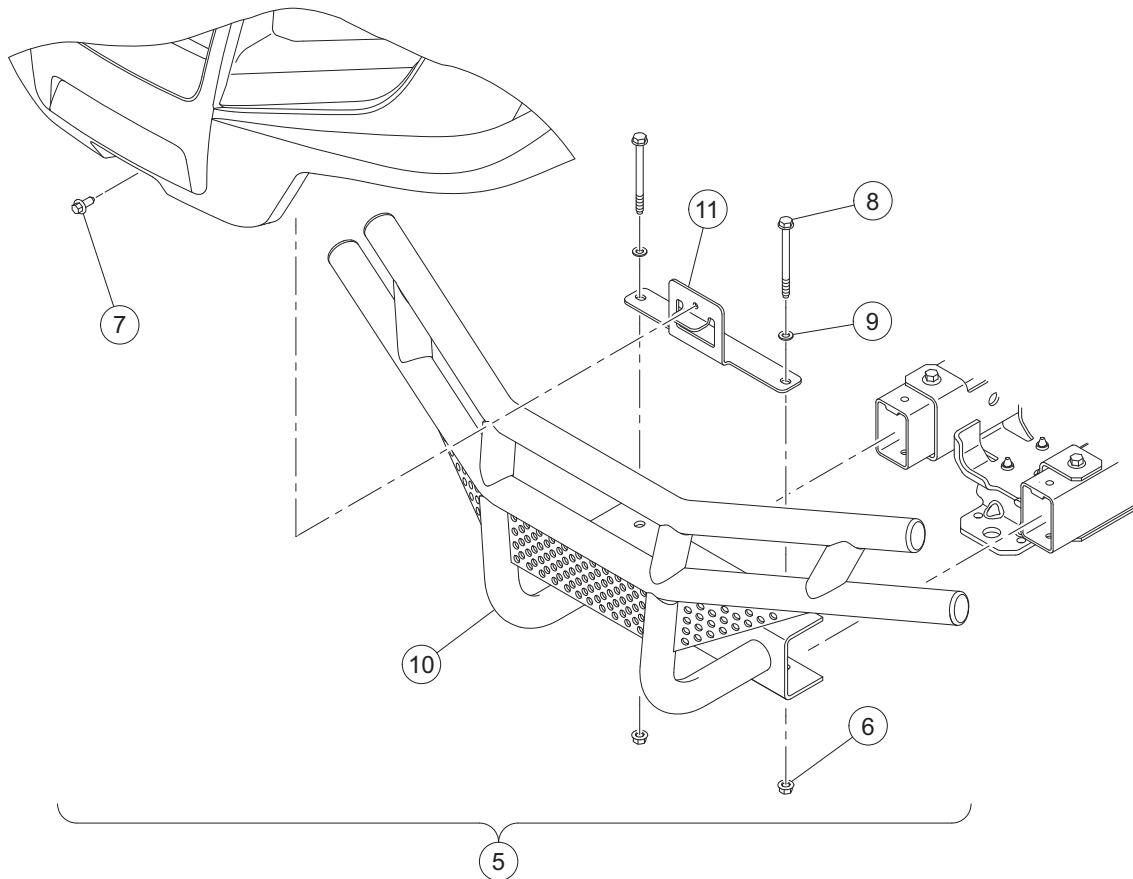
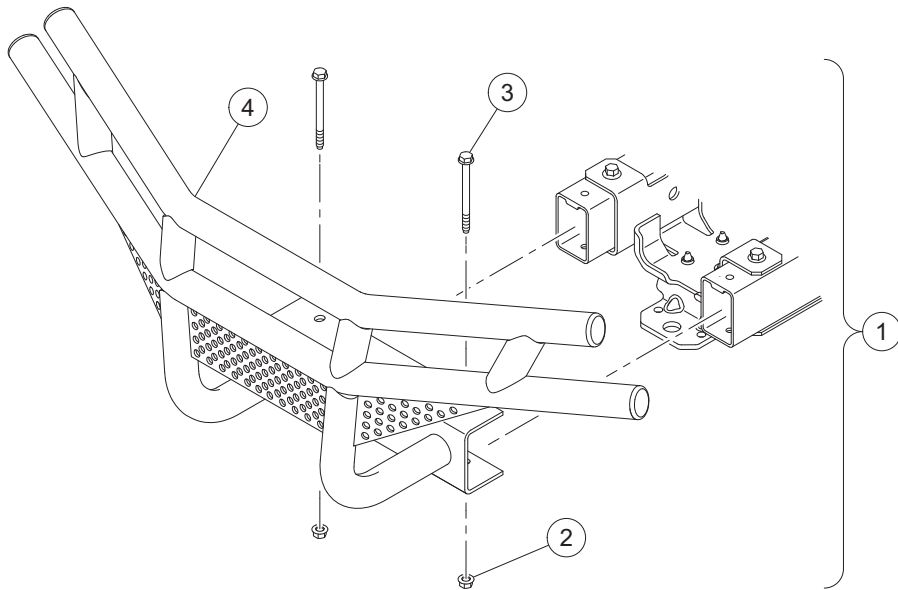
ITEM	PART NO.	DESCRIPTION	QTY
		1 2 3 4	
1	102292101	Screw-5/16 X 1.5 Tek	4
2	102298401	Nut,m8,all Metal Lock	4
3	102298580	M8-1.25 X 80 Sems	4
4	102298601	J-clip - M8 X 1.25	4
5	102298995	Bolt, Wafer Head, M8-1.25x95	4
6	102505401	Xmbr-middle	1
7	102505701	Assembly, Dash Support	1
8	103638901	Rod, .5 Od X 26.26	1
9	103926603	Rear Cross Member, Csmr, Sp	1
10	103990503	Weldment, Frame, Csmr, Driver-side	1
11	103990601	Weldment, Frame, Passenger-side	1
<p>Note: Item 8 applies to electric vehicles only.</p>			

1

E

1

E



G-140199-000015

BRUSH GUARDS

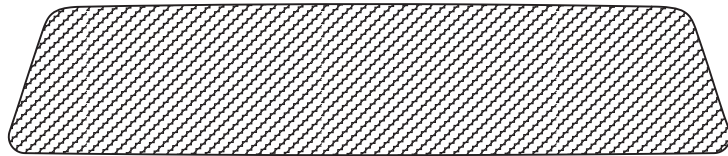
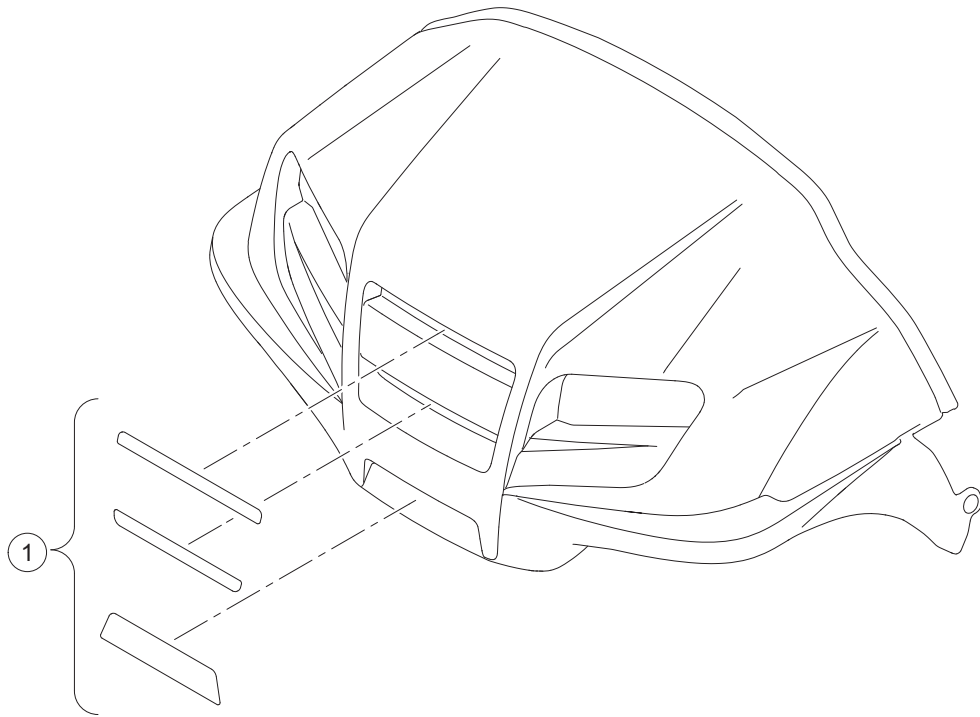
ITEM	PART NO.	DESCRIPTION	QTY
		1 2 3 4	
1	47577561002	Kit, Brush Guard, Lifted (includes items 2 through 4)	1
2	102298401	Nut, M8, All Metal Lock	2
3	102534201	Bolt - Fl Hd, M8 X 95	2
4	47578016001	Asm, Brush Guard Res	1
5	47577561004	Kit, Brush Guard, NI (includes items 6 through 11)	1
6	102298401	Nut, M8, All Metal Lock	2
7	102298720	Screw, M8-1.25x20, Taptite	1
8	103423701	Bolt, M8 X 1.25 X 110	2
9	105307701	Washer, Flat, Ss, M8	2
10	47578016001	Asm, Brush Guard Res	1
11	47680239001	Bracket, Cowl Support	1

1

E

1

E



1

G-160299-000008

GRILL INSERTS

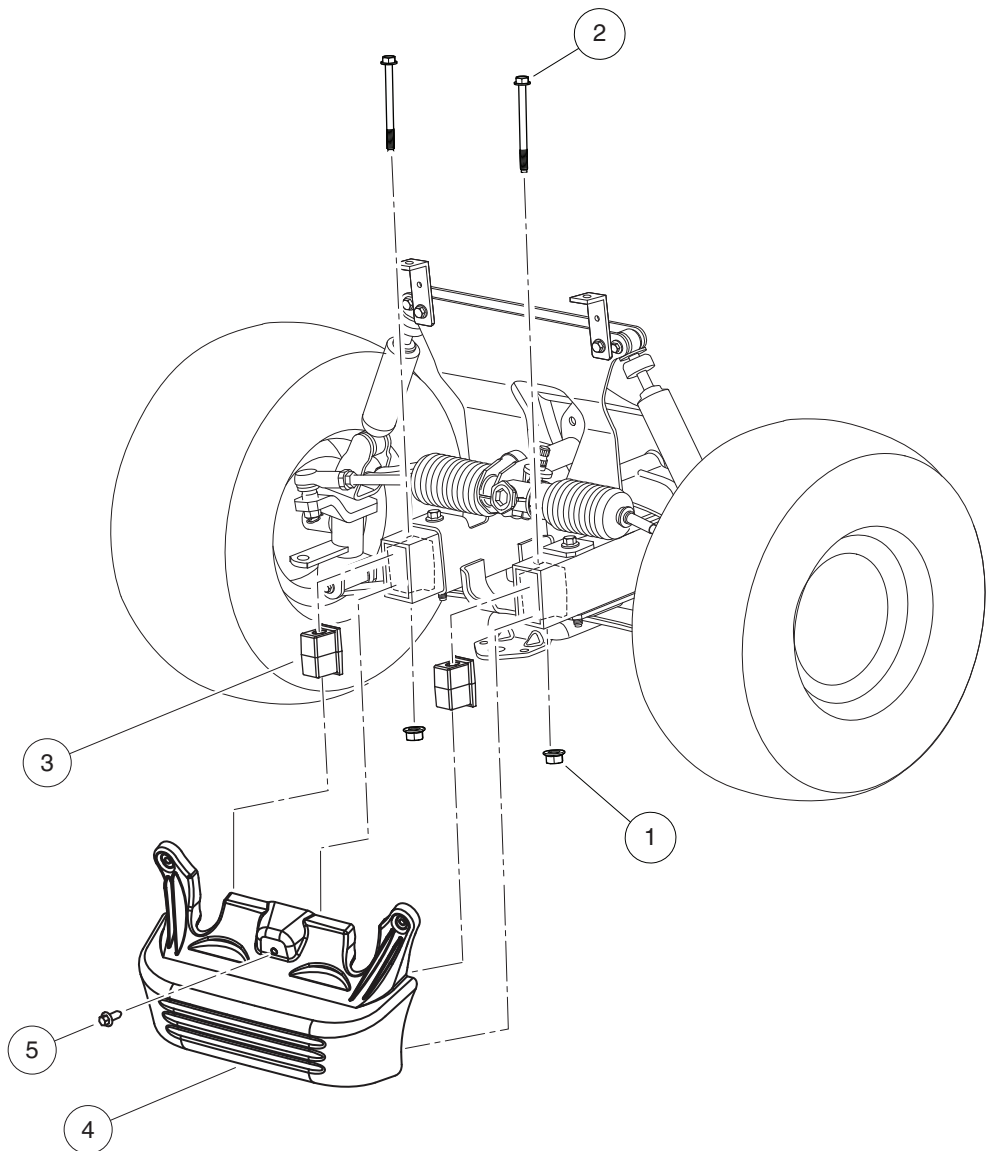
ITEM	PART NO.	DESCRIPTION	QTY
1	47649254001	1 2 3 4 Kit, Grill Insert	1

1

E

1

E



001299-001

FRONT BUMPER

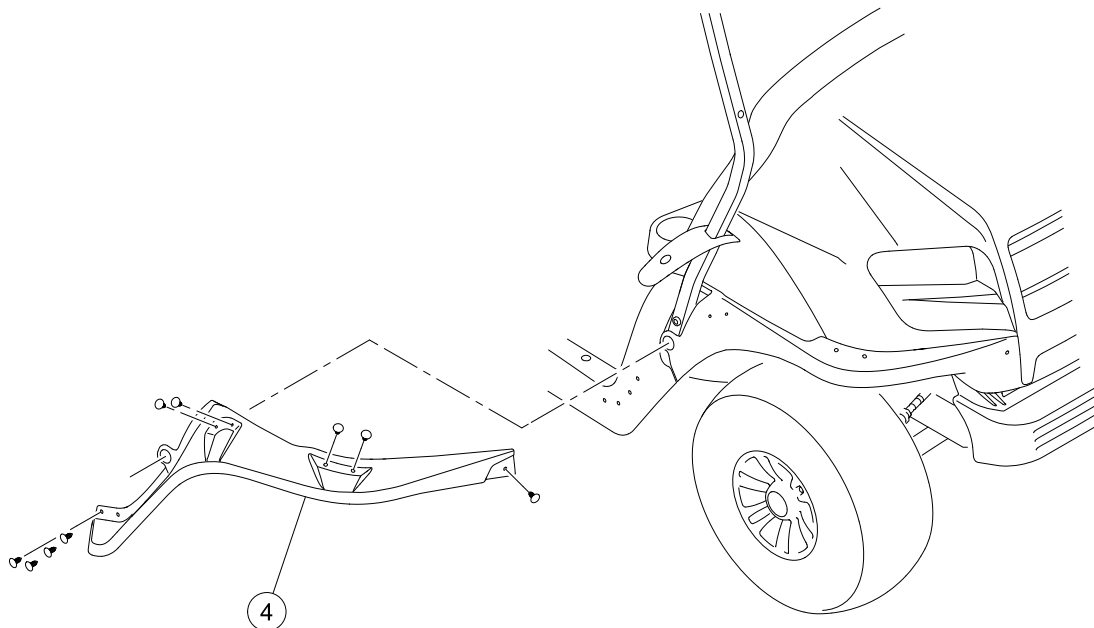
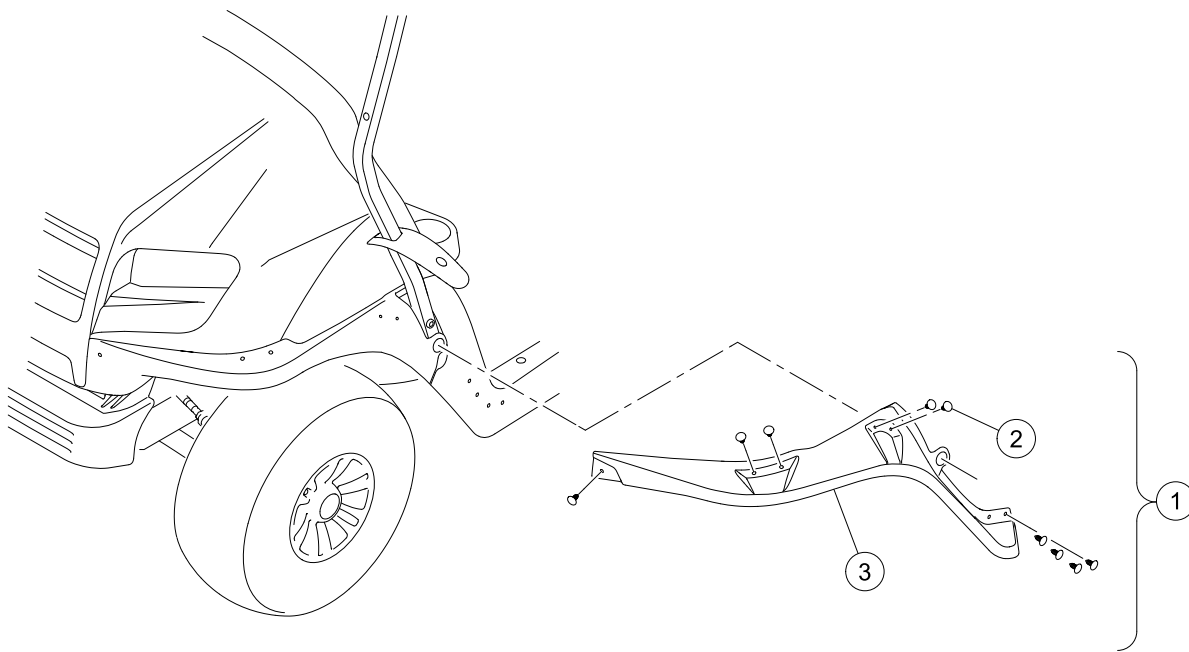
ITEM	PART NO.	DESCRIPTION	QTY
		1 2 3 4	
1	102298401	Nut,m8,all Metal Lock	2
2	102534201	Bolt - Fl Hd, M8 X 95	2
3	103325001	Plug, Shock, Bumper	2
4	103923601	Bumper, Prec Fleet, W/light	1
5	47579669001	Screw, 3/8 Hex & Hex Washer Hd	1

1

E

1

E



G-140699-000006

FRONT FENDERS

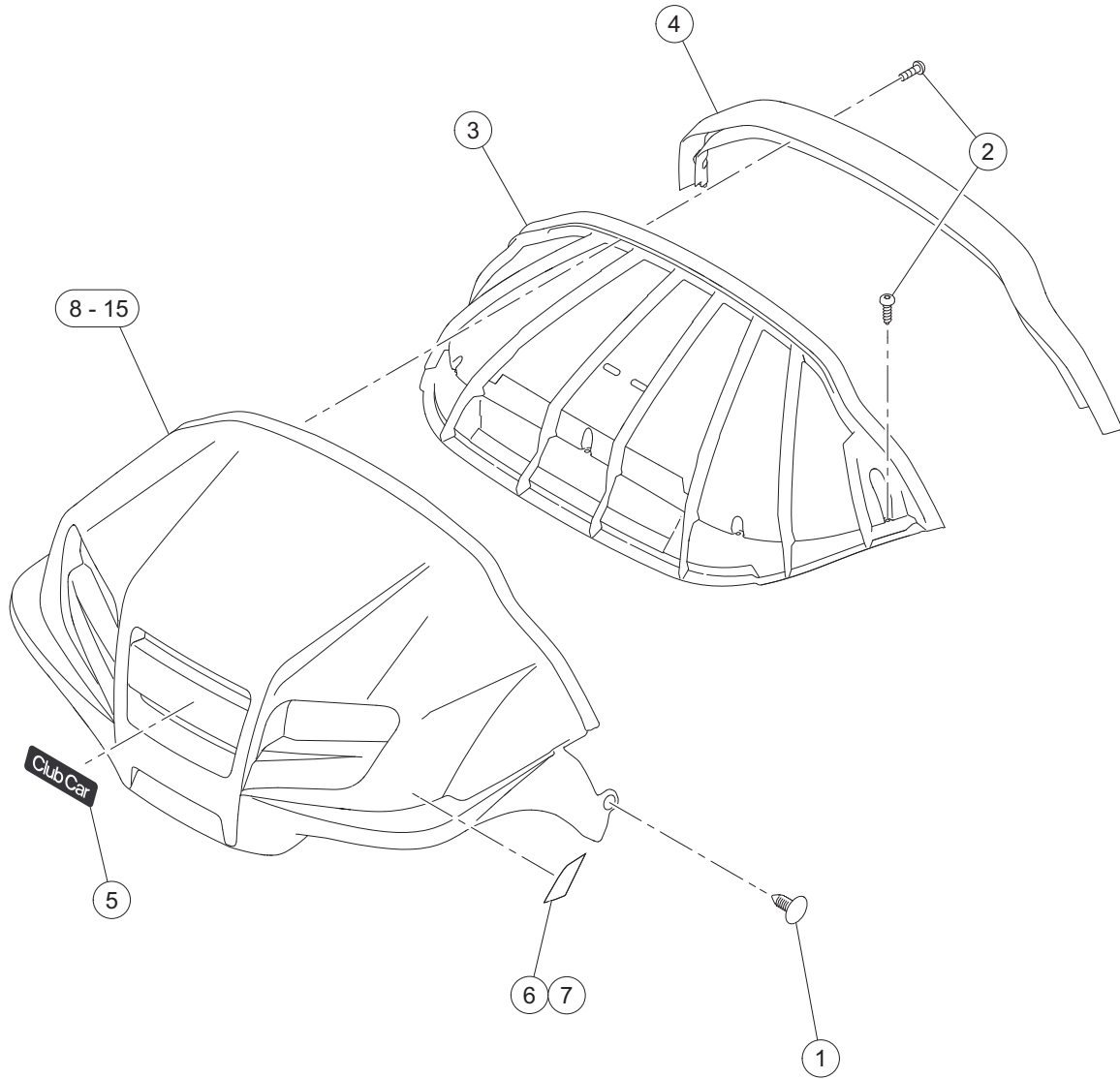
ITEM	PART NO.	DESCRIPTION	QTY
		1 2 3 4	
1	47632116001	Kit, Fenders, Front (includes items 2 through 4)	1
2	1010434	Barrel - Plastic	18
3	47628936001	Fender, Front, LH	1
4	47628936002	Fender, Front, RH	1

1

E

1

E



G-140299-000018

FRONT BODY

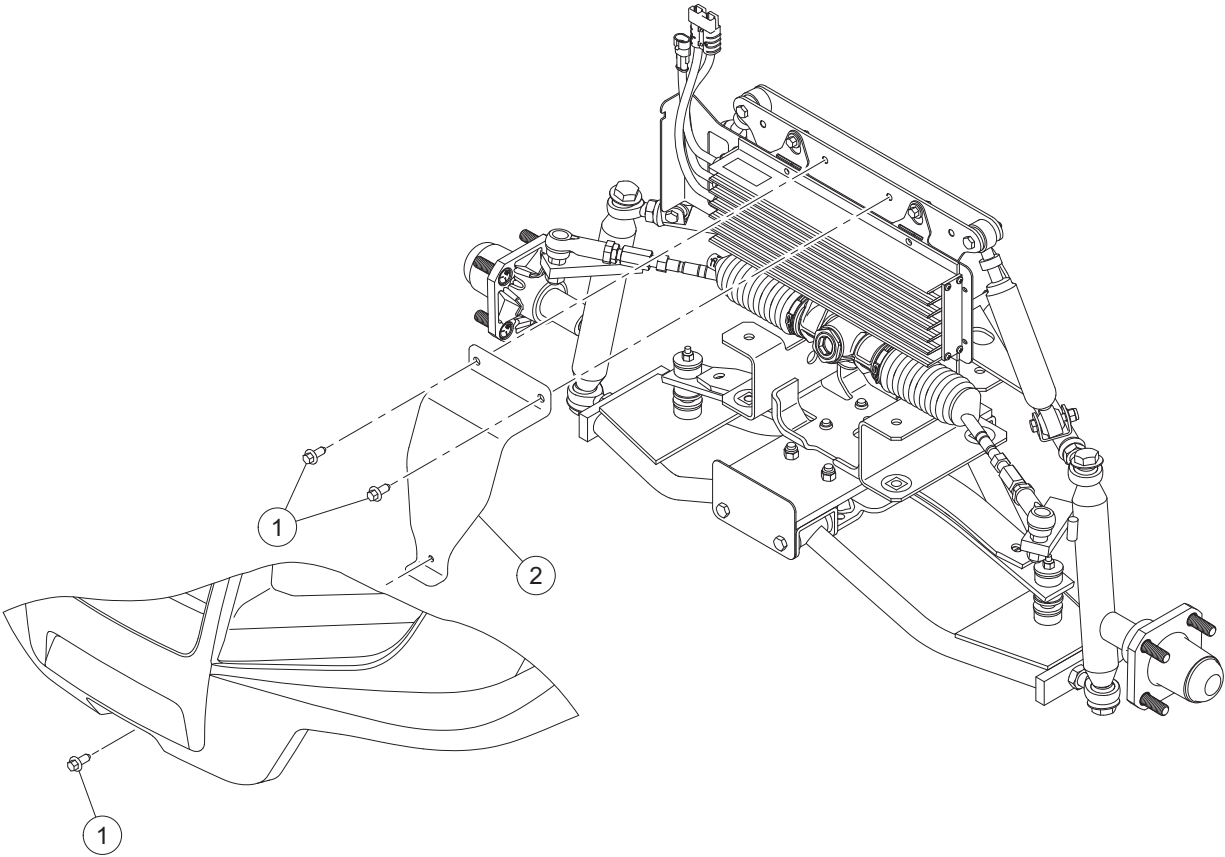
ITEM	PART NO.	DESCRIPTION	QTY
		1 2 3 4	
1	1010434	Barrel - Plastic	4
2	102296020	Screw, Torx Pan Hd Pt, M6 X 20	9
3	47593000001	Brow	1
4	102502501	Brow Cap	1
5	102883602	Decal, Nameplate, Csmr	1
6	47583296001	Reflector, Front, Csmr, Driver-side	1
7	47583296002	Reflector, Front, Csmr, Passenger-side	1
8	47627633003	Panel Frt, Met Green	1
9	47627633004	Panel Frt, Met Black	1
10	47627633006	Panel Frt, Cdy Apple Red	1
11	47627633011	Panel Frt, Met Glacier	1
12	47627633058	Panel Frt, Met Beige, Sp	1
13	47627633067	Panel Frt, Met Ice Blue, Sp	1
14	47627633068	Panel Frt, Mdnght Silver, Sp	1
15	47627633070	Panel Frt, Blue Oynx, Sp	1
		<p>Note: For current or additional color options, contact your local Club Car dealer or distributor.</p>	

1

E

1

E



G-140199-000026

FRONT BODY BRACKET LIFTED 4 PASS

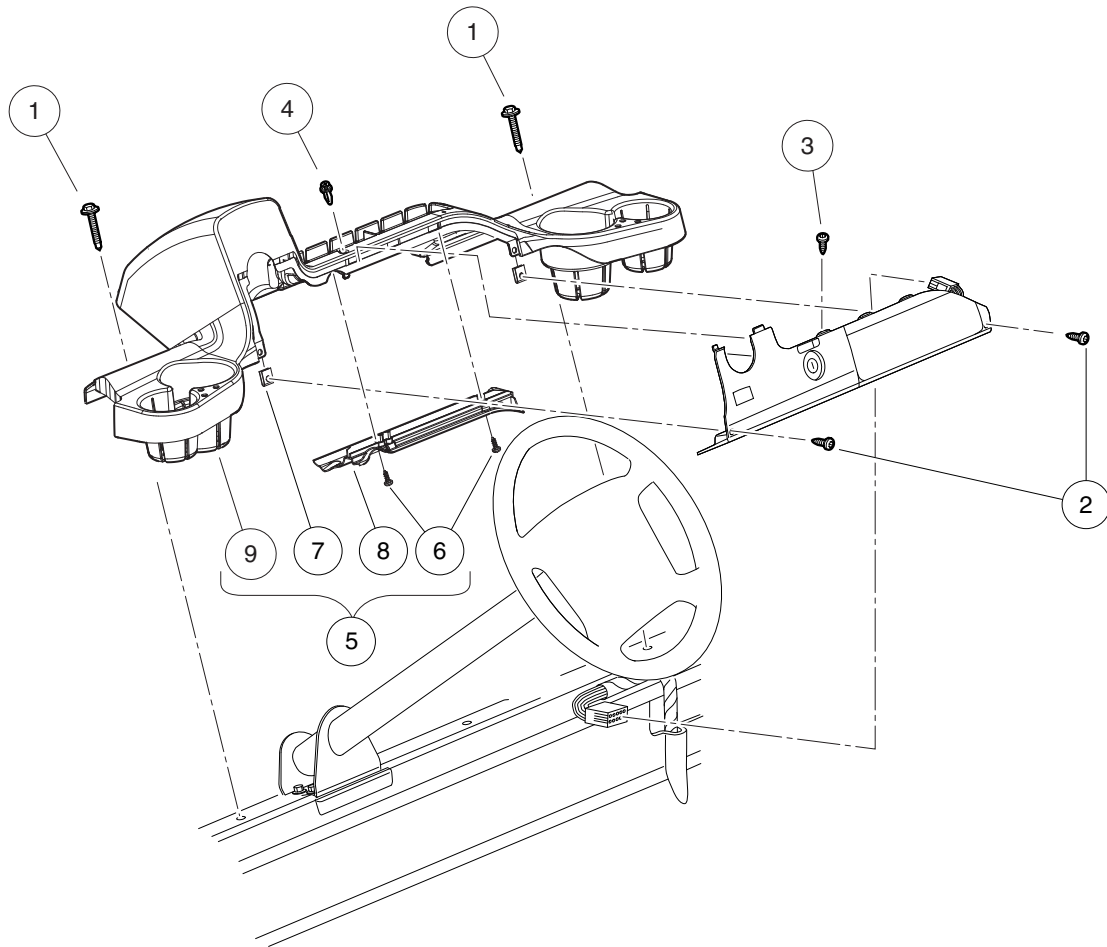
ITEM	PART NO.	DESCRIPTION	QTY
		1 2 3 4	
1	102298720	Screw, M8-1.25x20, Taptite	3
2	47653820001	Bracket, Cowl/bumper, Brushgrd	1
<p>Note: Bracket only applies to 4 passenger lifted vehicles.</p>			

1

E

1

E



000438-003

DASH

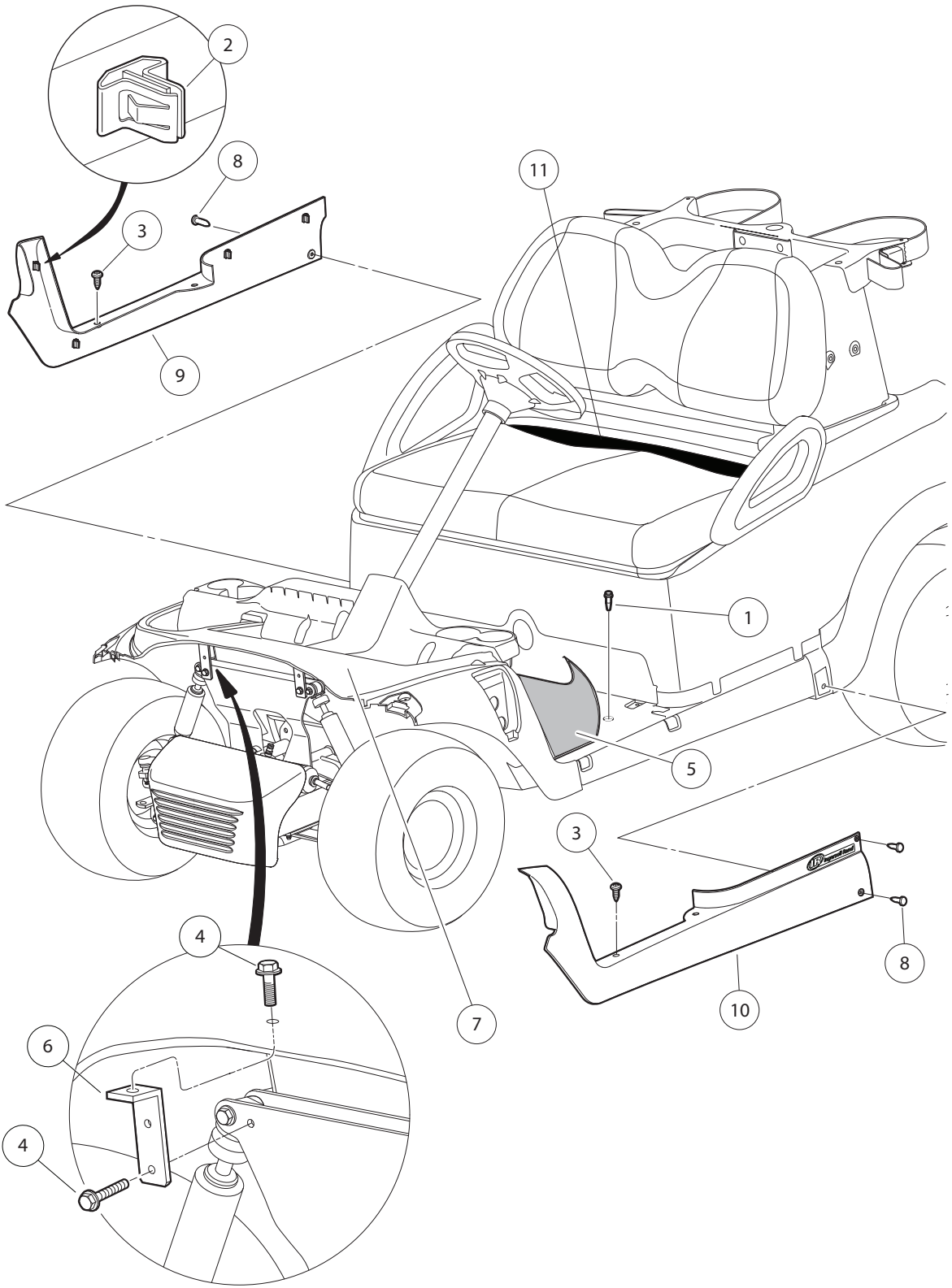
ITEM	PART NO.	DESCRIPTION	QTY
		1 2 3 4	
1	102292356	Screw-1/4-20x56 Hwh Self Drill	2
2	102296819	Screw-M6 x 19	2
3	102557201	Screw, #6-20 Type Abx1.00 Pan	1
4	102915601	Plastic Rivet - Tuflock	1
5	103402701	Dash Assembly (includes items 6 through 9)	1
6	N/A	Screw-torx Pan Hd Pt,m6 X 16	2
7	102297001	U-nut, 1/4" Type Ab	2
8	N/A	Drain Channel - Dash	1
9	N/A	Dash	1

1

E

1

E



000497-009

FLOOR MAT, RETAINERS, AND FRONT UNDERBODY

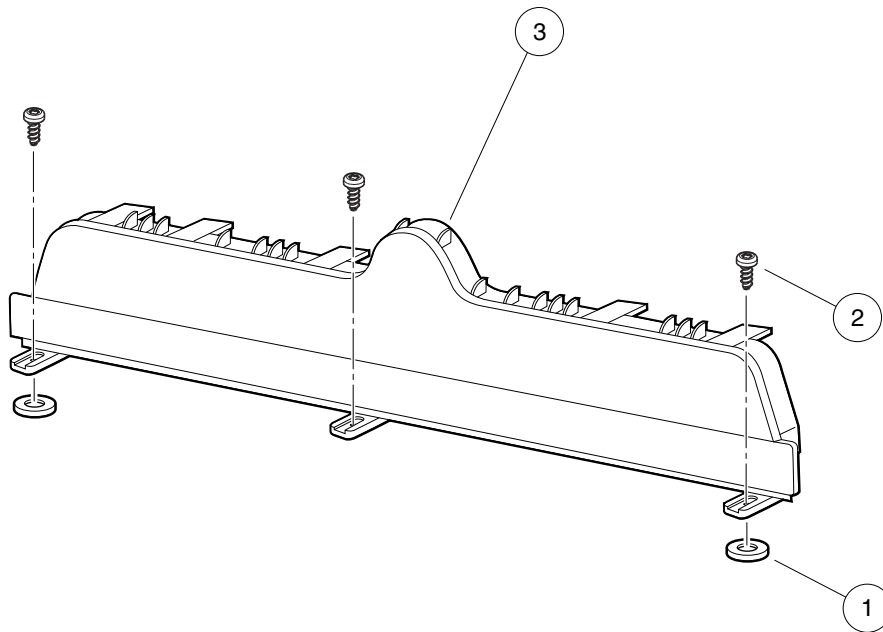
ITEM	PART NO.	DESCRIPTION	QTY
		1 2 3 4	
1	102292356	Screw-1/4-20x56 Hwh Self Drill	3
2	102292701	Clip-body-trim	8
3	102298020	Screw, K80x20, Torx Pn Hd Pt	4
4	102298720	Screw, M8-1.25x20, Taptite	4
5	102504802	Floormat	1
6	102521901	Bracket-clamshell	2
7	103635201	Underbody, Front, One Piece	1
8	105291501	Rivet, Plastic Tuflok, 8mm	4
9	105314001	Floormat Retainer, Passenger-side, Black	1
10	105314101	Floormat Retainer, Driver-side, Black	1
11	47652014001	Insulation, Rear Underbody	1
		<p>Note: The front underbody is a special order item available upon request. It will require some trimming for use on the Onward vehicle.</p>	

1

E

1

E



001059-001

KICK PLATE – ON-BOARD CHARGER

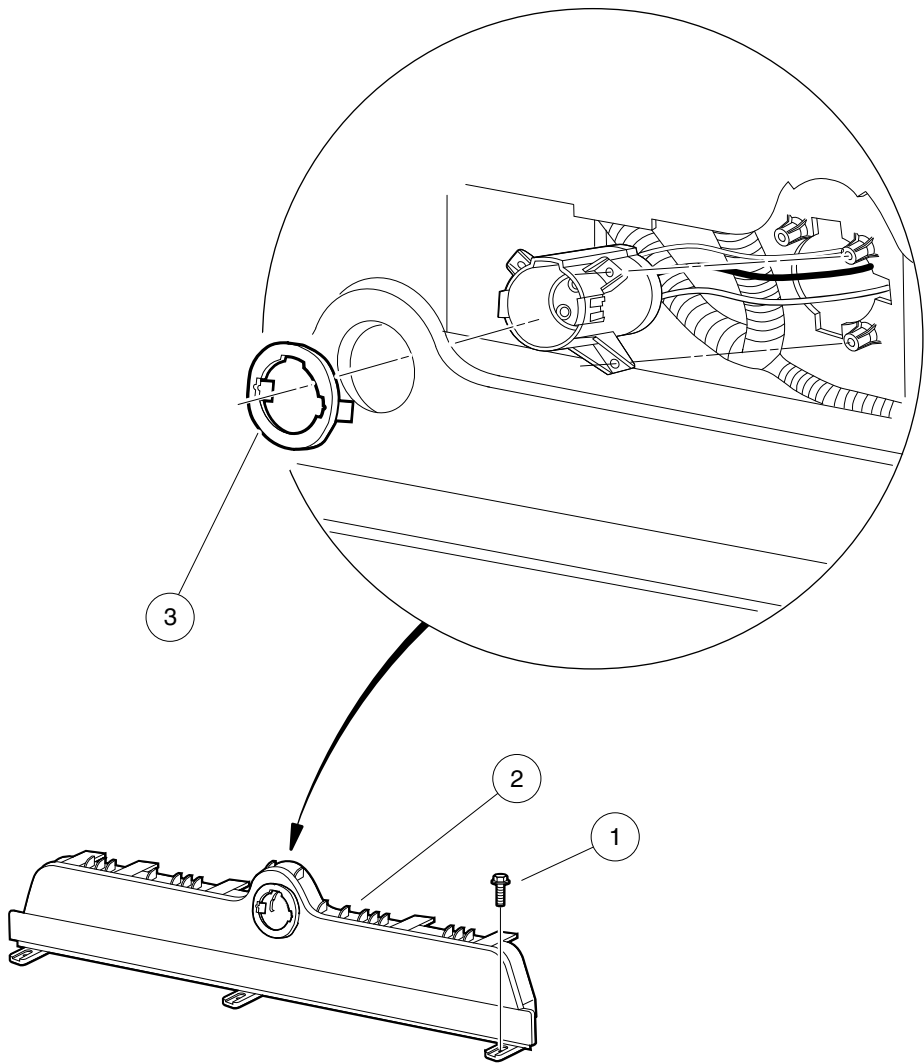
ITEM	PART NO.	DESCRIPTION	QTY
		1 2 3 4	
1	1012571	Washer, 5/16 Extra Thick Flat	2
2	102298020	Screw, K80x20, Torx Pn Hd Pt	3
3	105005402	Plate, Kick, Black	1

1

E

1

E



000500-003

KICK PLATE – SHELF CHARGER

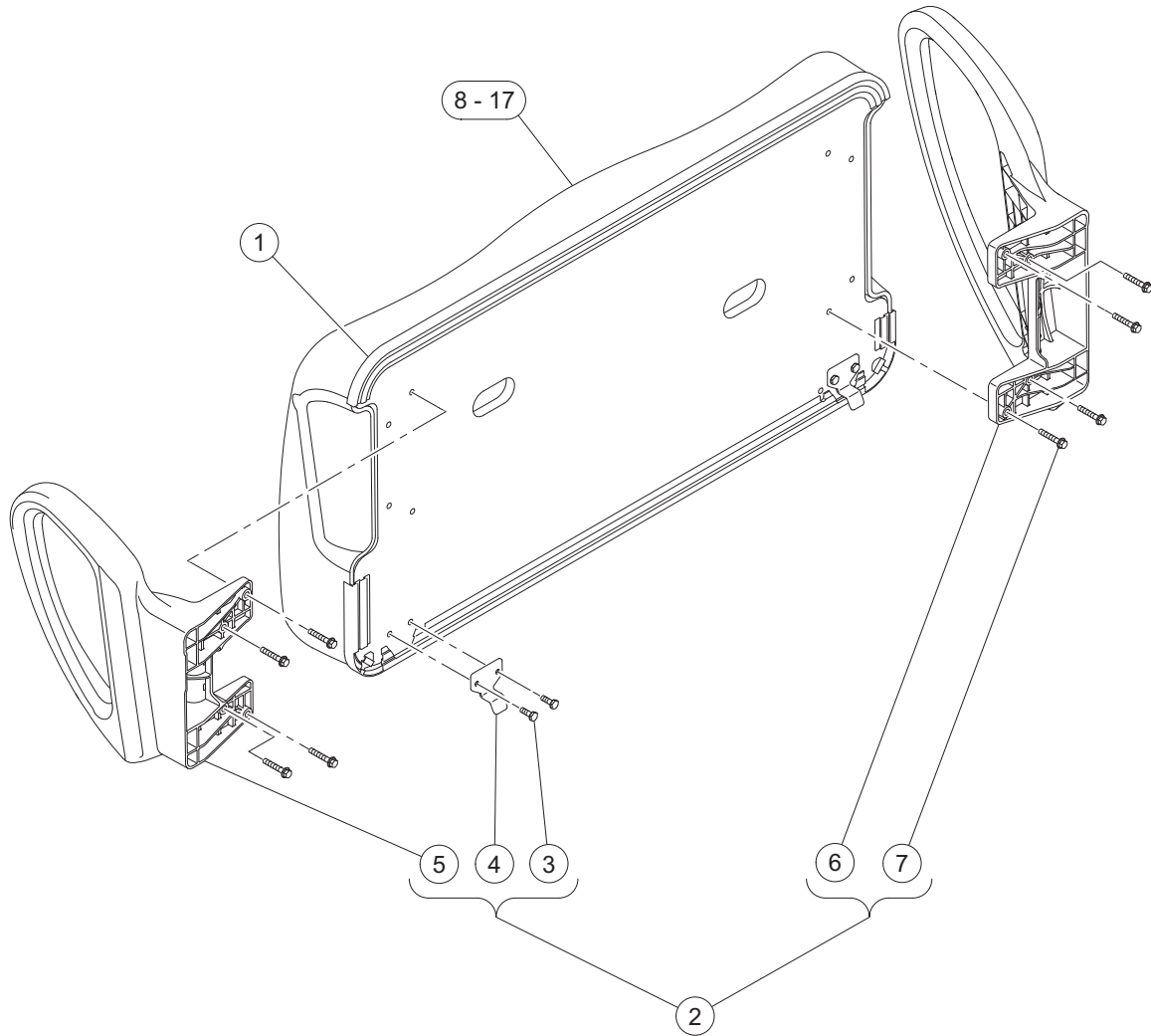
ITEM	PART NO.	DESCRIPTION	QTY
1	102298020	1 2 3 4 Screw, K80x20, Torx Pn Hd Pt	3
2	102508202	Plate - Electric Kick Blk	1
3	102516902	Socket Trim, Charger	1

1

E

1

E



G-140699-000037

SEAT BOTTOM WITH HIP RESTRAINTS

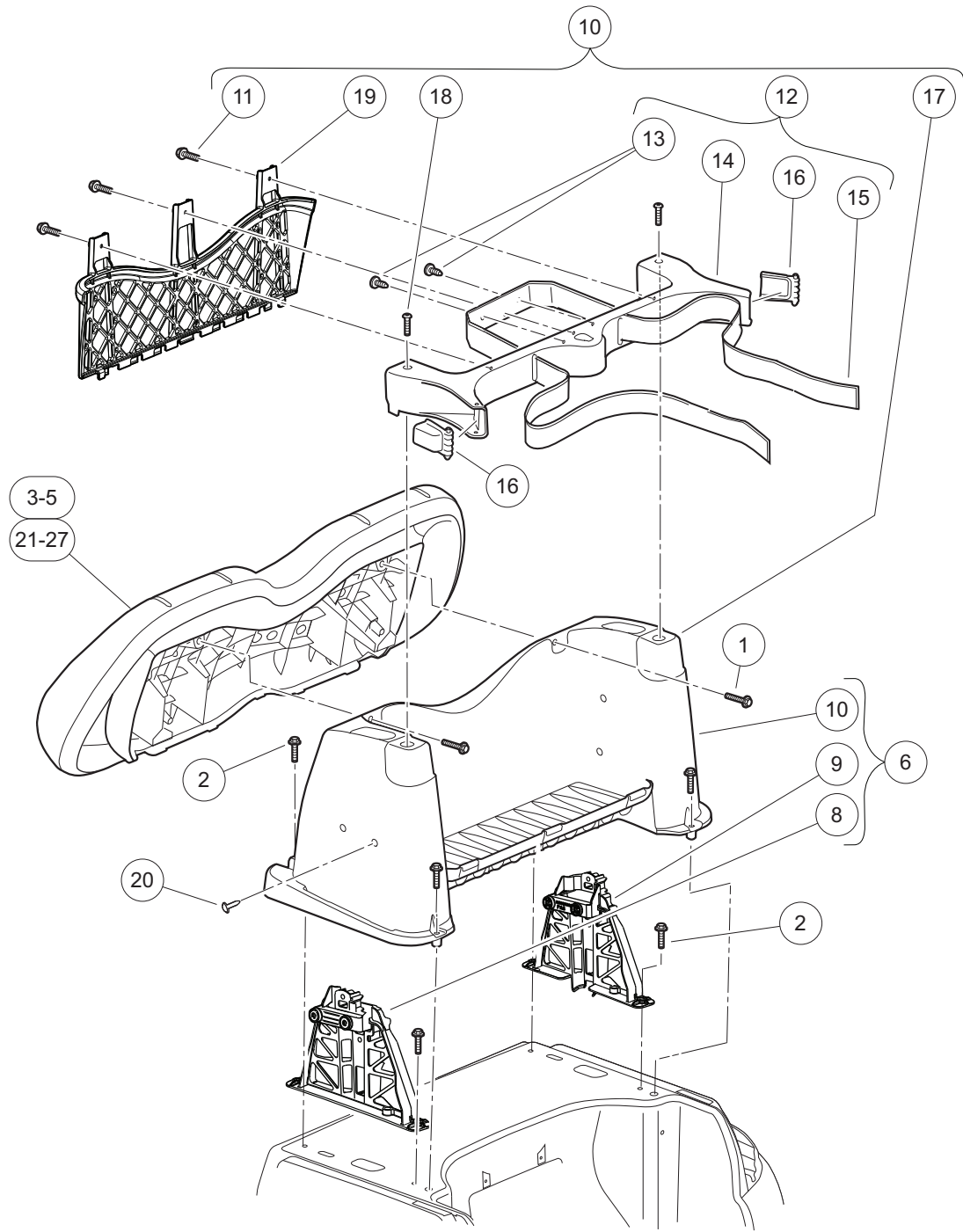
ITEM	PART NO.	DESCRIPTION	QTY
		1 2 3 4	
1	101998501	Gasket, Seat	1
2	103833901	Kit, Seat Bottom (includes items 3 through 7)	1
3	101954301	Screw, 1/4-20 X 0.75 Hex-Head Cap	4
4	103832901	Hinge, Seat Bottom	2
5	103833601	Hip Restraint, Drv	1
6	103833701	Hip Restraint, Pas	1
7	103833801	1/4-20 X 1.5 Hex Flg Patch	8
8	104023421	Seat Bottom Asm, Beige, Service Replacement	1
9	104023422	Seat Bottom Asm, White, Service Replacement	1
10	104023425	Seat Bottom Asm, Black, Service Replacement	1
11	105223321	Seat Bottom Asm, Premium, Light Beige, Service Replacement	1
12	105223322	Seat Bottom Asm, Premium, Camello, Service Replacement	1
13	105223323	Seat Bottom Asm, Premium, Off-White, Service Replacement	1
14	105223327	Seat Bottom Asm, Premium, Black, Service Replacement	1
15	105223328	Seat Bottom Asm, Premium, Black/Gray, Service Replacement	1
16	105223329	Seat Bottom Asm, Premium, Gray, Service Replacement	1
17	47686232002	Asm,prem,btm,wht,wht,blk,sp	1
<p>Note: Item 1 is supplied with all seat bottom assemblies and can be procured individually. Item 17 only applies to 4 passenger vehicles. For current or additional color options, contact your local Club Car dealer or distributor.</p>			

1

E

1

E



000435-019

SEAT BACK, BACKREST, AND STRUCTURAL ACCESSORY MODULE (SAM)

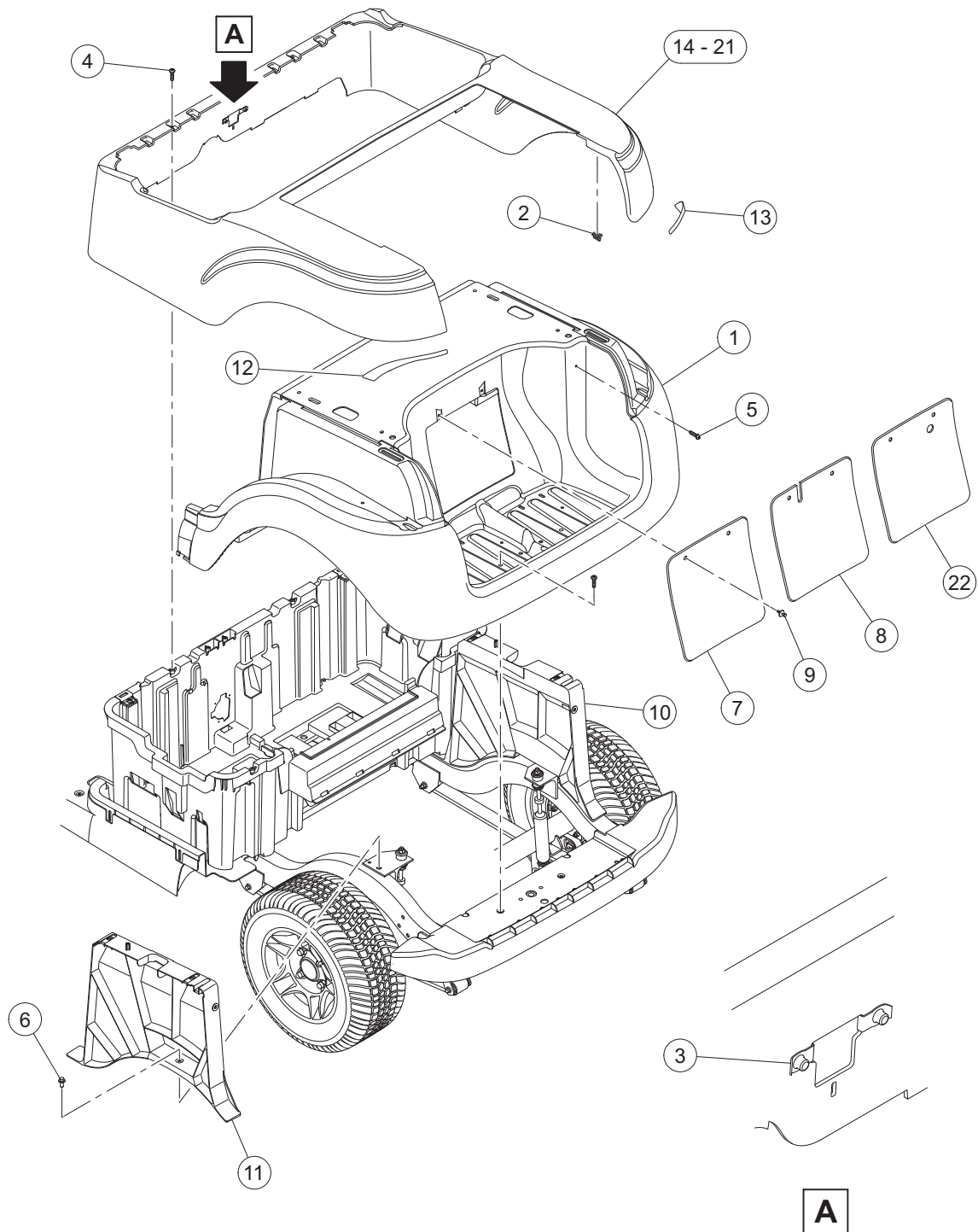
ITEM	PART NO.	DESCRIPTION	QTY
		1 2 3 4	
1	102296530	Screw - M6 X 1.0 X 30 Sems	2
2	102298250	Bolt-flange Hd, M8 X 50.0	6
3	103853121	Asm, Seat Back, Beige, Service Replacement	1
4	103853122	Asm, Seat Back, White, Service Replacement	1
5	103853125	Asm, Seat Back, Black, Service Replacement	1
6	103952901	Kit, S.A.M. Assembly (includes items 7 through 10)	1
7	102297230	Screw, M6, Torx, Interlock Thread	4
8	103929301	Support- Canopy, Drv	1
9	103929302	Support- Canopy, Pass	1
10	N/A	Asm, S.A.M. (includes items 11 through 19)	1
11	102297230	Screw, M6, Torx, Interlock Thread	3
12	102504001	Asm, Bag Hoop (includes items 13 through 16)	1
13	1010434	Barrel - Plastic	2
14	102504201	Hoop-bag	1
15	102504301	Strap, Bag	1
16	102517001	Buckle-bag Strap	2
17	N/A	Structural Accessory Module (S.A.M.)	1
18	103327601	Screw, 5/16, Torx, Bosscrew	2
19	103699401	Panel, S.A.M., Prec	1
20	103978801	Barrel-push 6mm	4
21	105223421	Asm, Seat Back, Premium, Lt. Beige, Service Replacement	1
22	105223422	Asm, Seat Back, Premium, Camello, Service Replacement	1
23	105223423	Asm, Seat Back, Premium, Off-White, Service Replacement	1
24	105223427	Asm, Seat Back, Premium, Black, Service Replacement	1
25	105223428	Asm, Seat Back, Premium, Black/Gray, Service Replacement	1
26	105223429	Sp,asm,prem Seat Back,gray	1
27	47686233002	Asm,prem,back,wht,wht,blk,sp	1
		 Note: Screws (item 7) not shown. These are four new screws to replace those used to attach accessory mounting brackets to SAM (item 17). Item 27 only applies to 4 passenger vehicles. For current or additional color options, contact your local Club Car dealer or distributor.	

1

E

1

E



G-140299-000019

REAR BODY

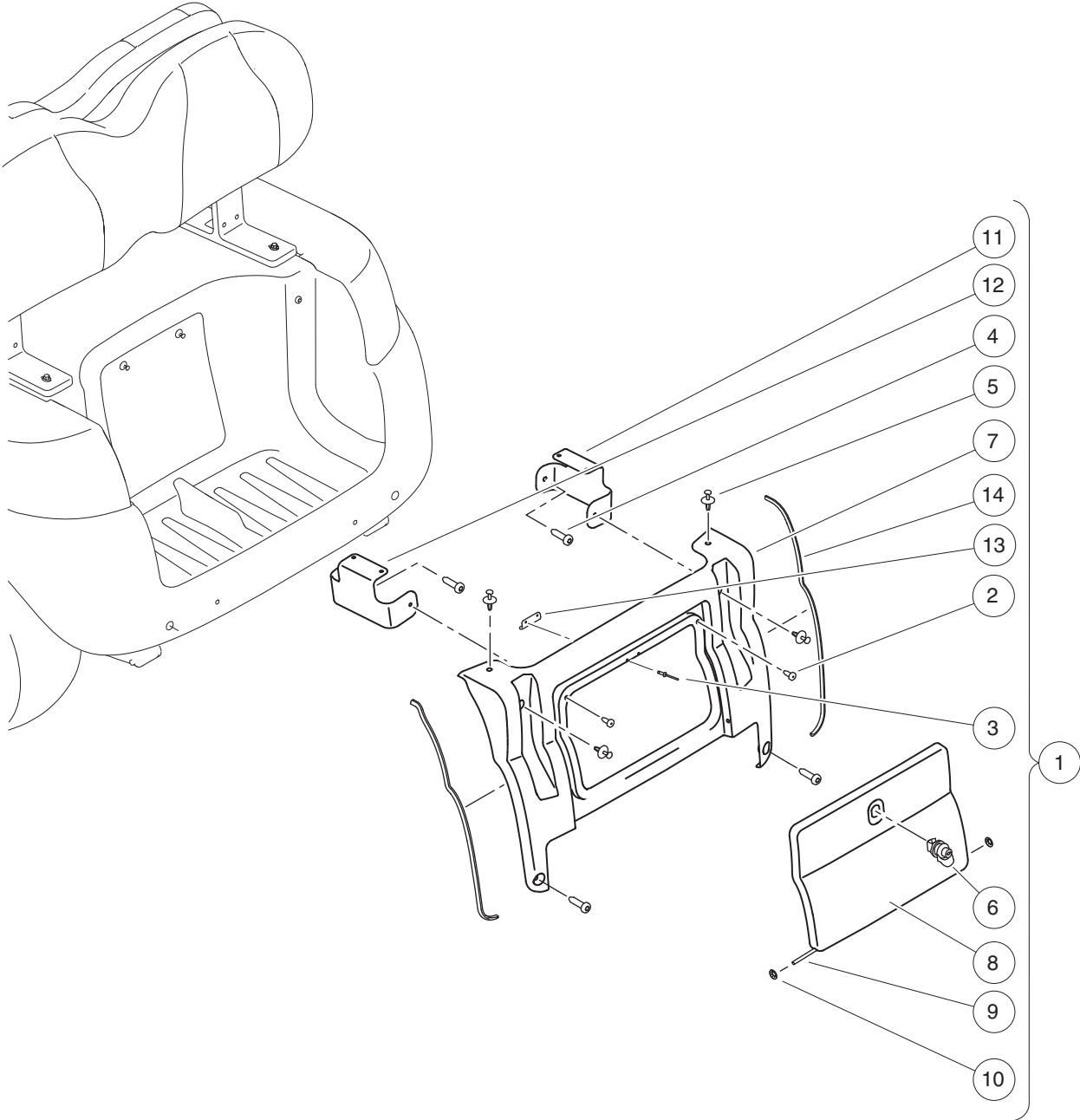
ITEM	PART NO.	DESCRIPTION	QTY
		1 2 3 4	
1	102279106	Underbody, Rear, Common	1
2	102292701	Clip-body-trim	2
3	102296601	U-Nut, M6-1.0, Prevailing Torque	2
4	102297230	Screw, M6, Torx, Interlock Thread	4
5	102298030	Screw, K80x30, Torx Pn Hd Pt	4
6	102298716	M8-1.25x16 Taptite	2
7	102501402	Panel, Access, Black	1
8	102501403	Panel, Access, Black, with Punched Hole	1
9	102967901	Rivet, Removable, Tuflok 1/4"	2
10	103812901	Asm, Rear Underbody Support, Passenger-side	1
11	103813001	Asm, Rear Underbody Support, Driver-side	1
12	47583297001	Reflector, Rear, Csmr, Driver-side	1
13	47583297002	Reflector, Rear, Csmr, Passenger-side	1
14	47589919301	Pnl, Bty, Rr, Mt Glacier, Sp	1
15	47589919303	Pnl, Bty, Rr, Mt Cndy Apl, Sp	1
16	47589919304	Pnl, Bty, Rr, Mt Green, Sp	1
17	47589919306	Pnl, Bty, Rr, Mt Black, Sp	1
18	47589919311	Pnl, Bty, Rr, Mt Beige, Sp	1
19	47589919323	Pnl, Bty, Rr, Met Ice Blue, Sp	1
20	47589919324	Pnl, Bty, Rr, Mdnght Silver,sp	1
21	47589919326	Pnl,bty,rr,blue Oynx,sp	1
22	SVP915201	Panel-access-lite Hole Cut Out	1
		Note: For current or additional color options, contact your local Club Car dealer or distributor.	

1

E

1

E



001327-001

REAR VALANCE

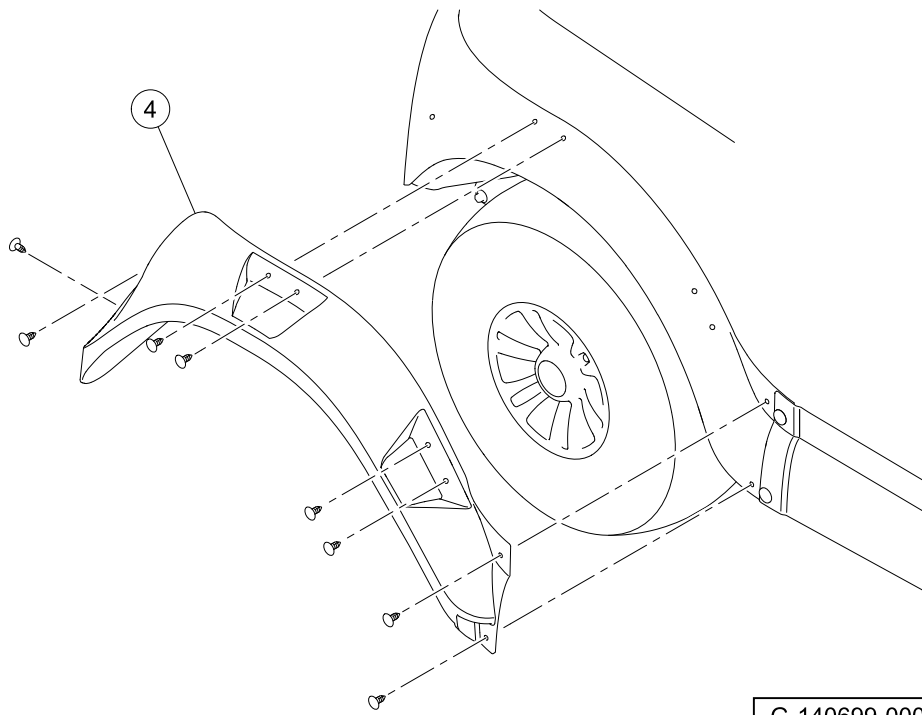
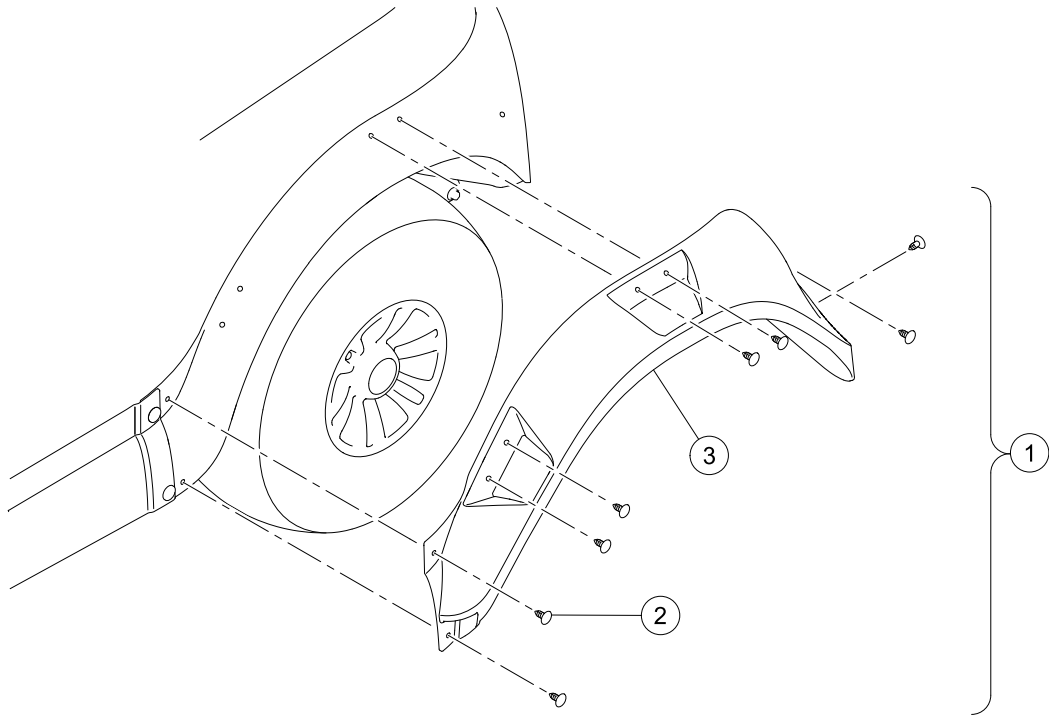
ITEM	PART NO.	DESCRIPTION	QTY
		1 2 3 4	
1	47579068001	Kit, Rear Valance (includes items 2 through 14)	1
2	1010436	Bumper, Rubber	2
3	1015727	Rivet, 1/8	2
4	102298030	Screw, K80x30, Torx Pn Hd Pt	2
5	102967901	Rivet, Removable, Tuflok 1/4"	4
6	103182702	Latch, Push Close W/ Key	1
7	47579059001	Body, Rear Valance	1
8	47579060001	Door, Rear Valance	1
9	47579061001	Hinge Rod, Rear Valance	1
10	47579062001	Push Nut, Smooth Shaft, 1/4	2
11	N/A	Bracket, Rear Valance, Driver-Side	1
12	N/A	Bracket, Rear Valance, Passenger-Side	1
13	47579065001	Keeper, Latch, Rear Valance	1
14	47579066001	Edge Trim, Rear Valance	2

1

E

1

E



G-140699-000005

REAR FENDERS

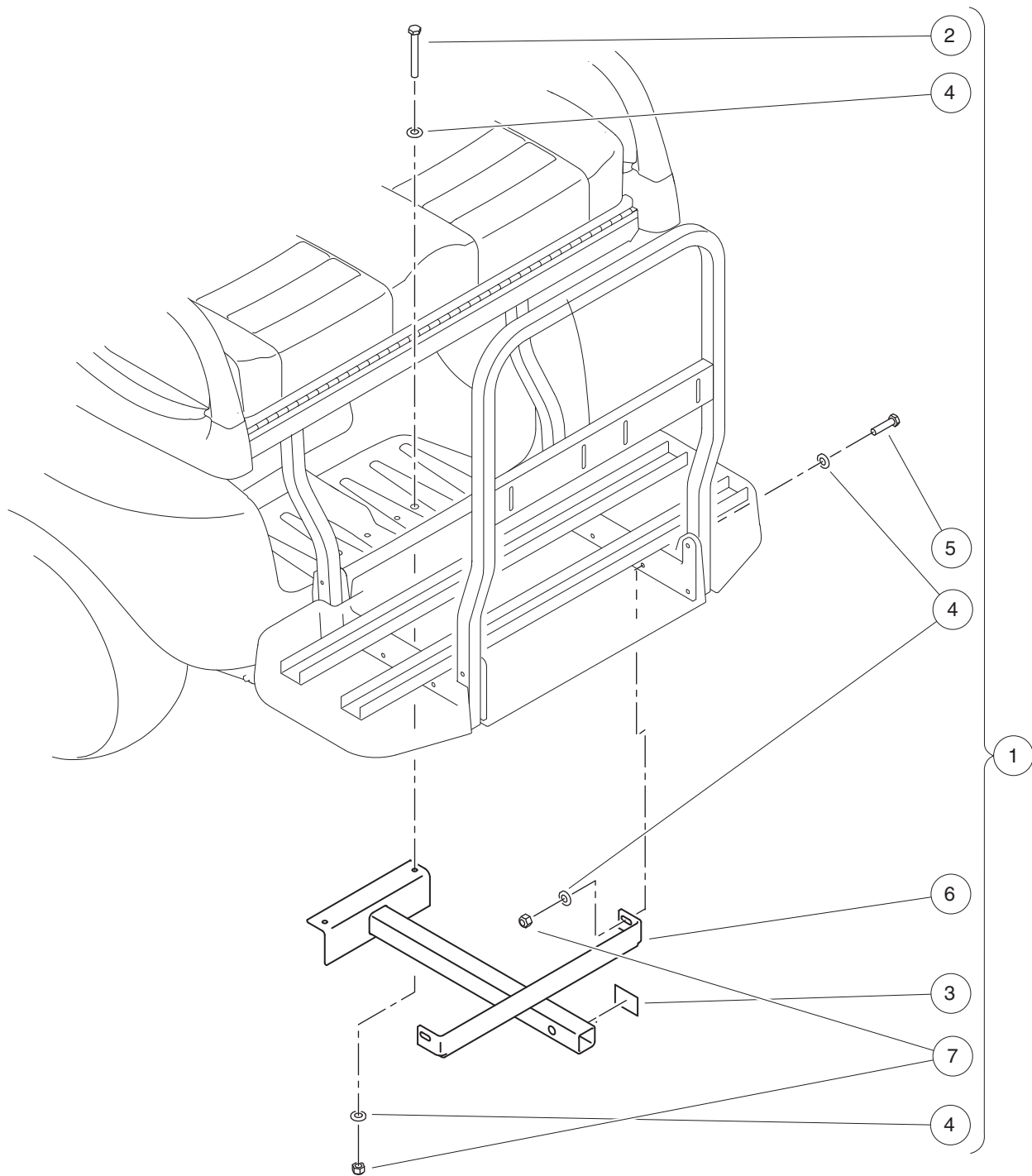
ITEM	PART NO.	DESCRIPTION	QTY
		1 2 3 4	
1	47554725001	Kit, Fenders, Rear, CSMR (includes items 2 through 4)	1
2	1010434	Barrel - Plastic	16
3	47555159001	Fender, Rear, Csmr, Driver-side	1
4	47555159002	Fender, Rear, Csmr, Passenger-side	1

1

E

1

E



001328-001

RECEIVER HITCH

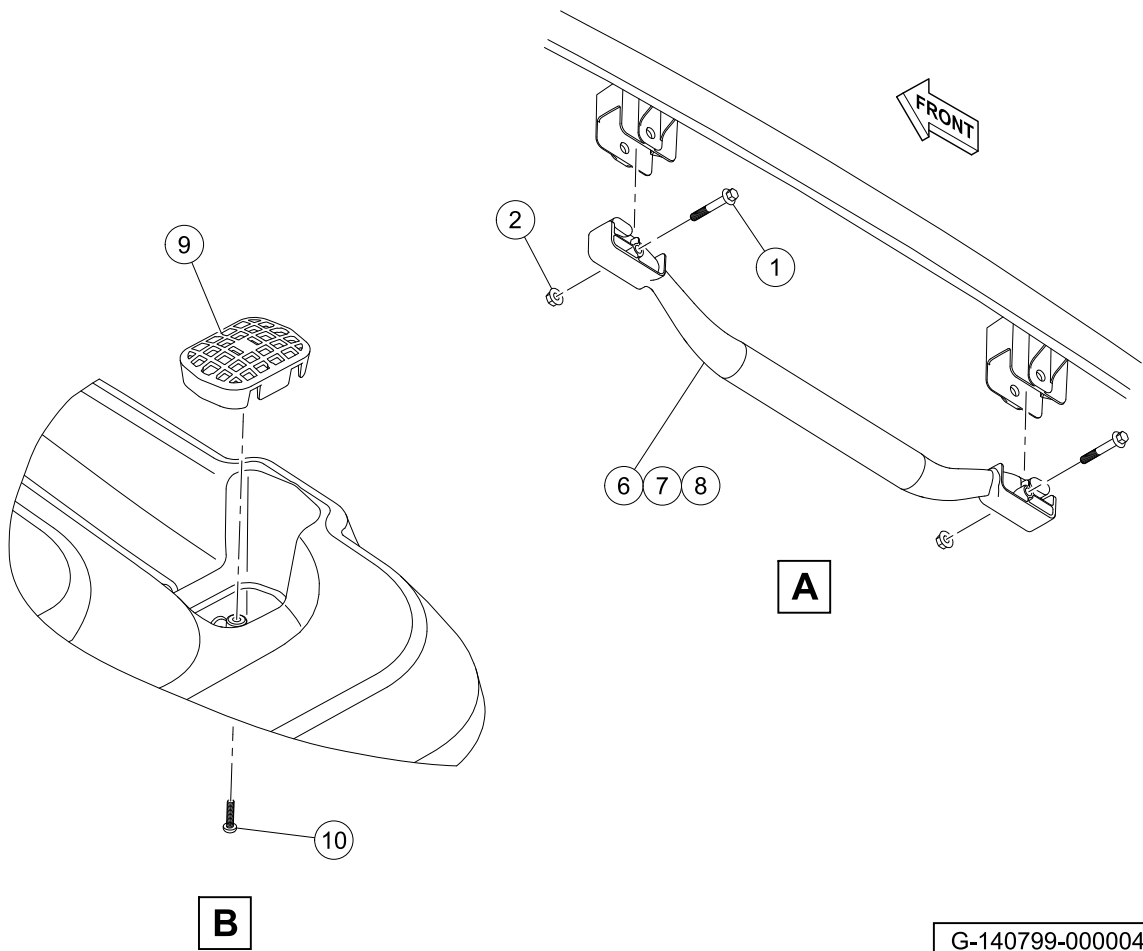
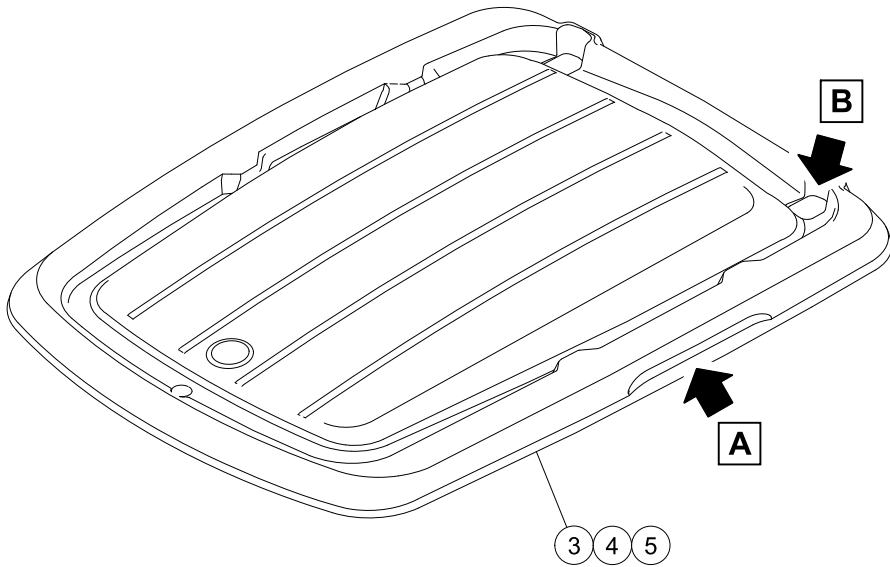
ITEM	PART NO.	DESCRIPTION	QTY
		1 2 3 4	
1	47578437001	Kit, Receiver Hitch, Csmr (includes items 2 through 7)	1
2	1010921	Screw, 5/16-18 X 2.50 Hex Cap	2
3	1011553	Decal, Trailer Hitch	1
4	1011697	Washer, 5/16 Flat	8
5	1218	Screw, 5/16-18 X 1.25 Hex-Head Cap	2
6	47575464001	Asm Receiver Hitch Weldment	1
7	7473	Locknut, 5/16-18 Nylon Insert	4

1

E

1

E



G-140799-000004

CANOPIES

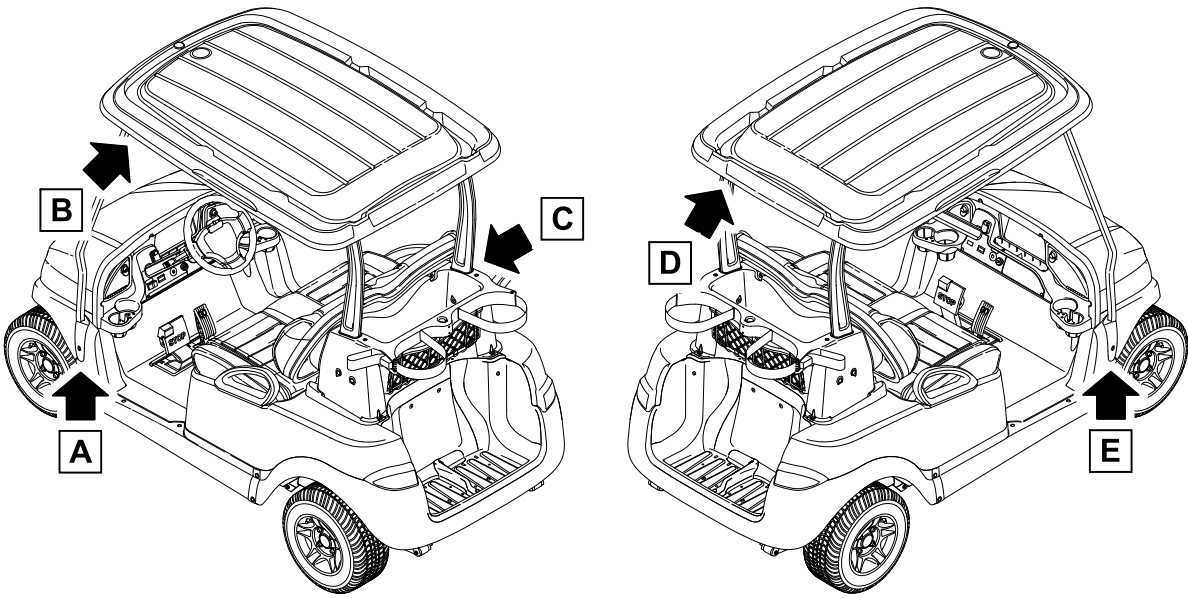
ITEM	PART NO.	DESCRIPTION	QTY
		1 2 3 4	
1	102296140	Bolt, Flanged Head, M6x1.0x40	4
2	102296401	Nut, M6x1.0, Flange, Metal Lock	4
3	102508901	Canopy-white	1
4	102508902	Canopy-beige	1
5	102508903	Canopy-black	1
6	102511601	Handle, Canopy (White)	2
7	102511602	Handle, Canopy (Beige)	2
8	102511603	Handle-canopy (black)	2
9	103205101	Cover, Drain, Canopy	2
10	103210101	Screw, #8 X.75, Torx, Tapping	2
11	104008001	Asm, Canopy W/handles, White	A/R
12	104008002	Asm, Canopy W/handles, Beige	A/R
13	104008003	Asm, Canopy W/handles, Black	A/R
		<p>Note: Items 11, 12 and 13 are not illustrated. If ordered, the canopy assembly will be supplied with all applicable detail parts.</p>	

1

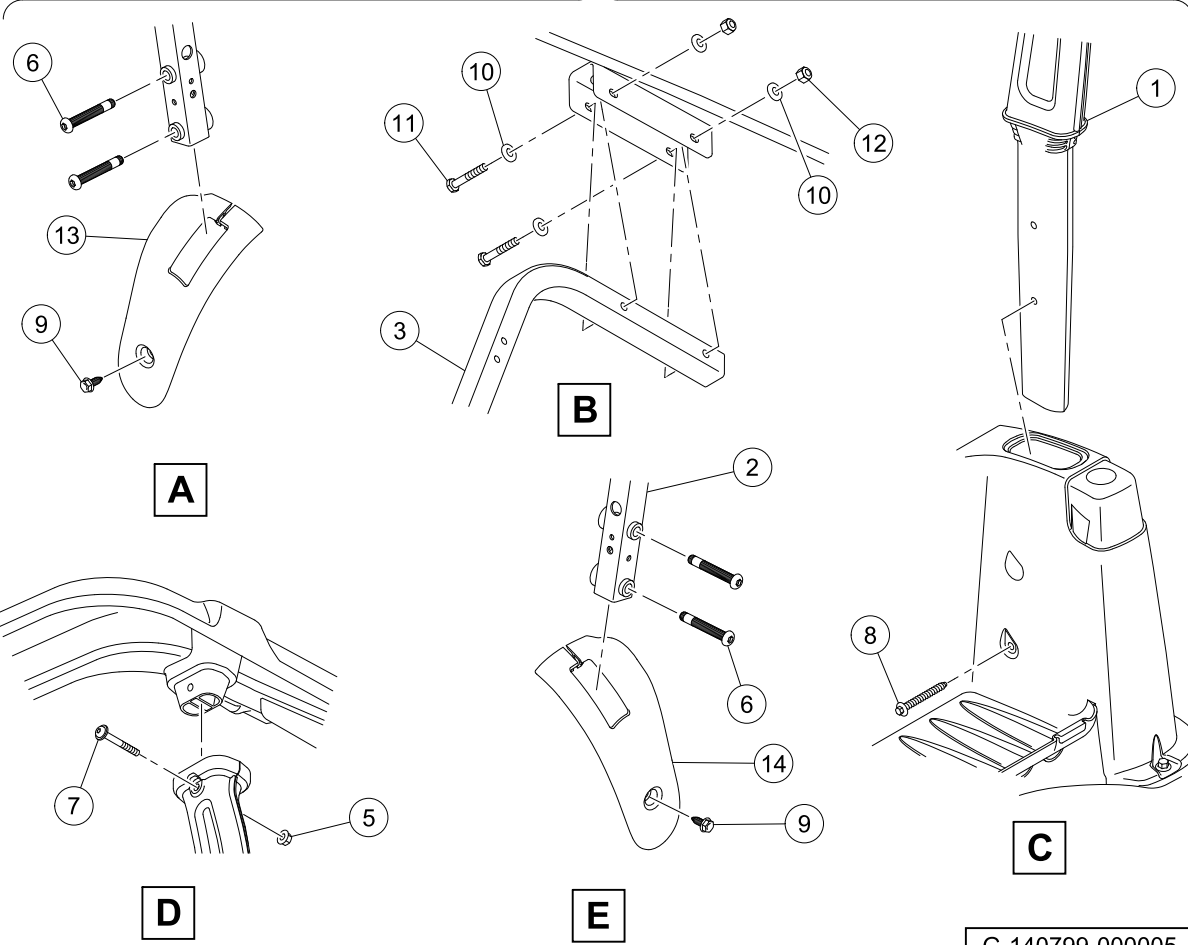
E

1

E



4



G-140799-000005

CANOPY STRUTS

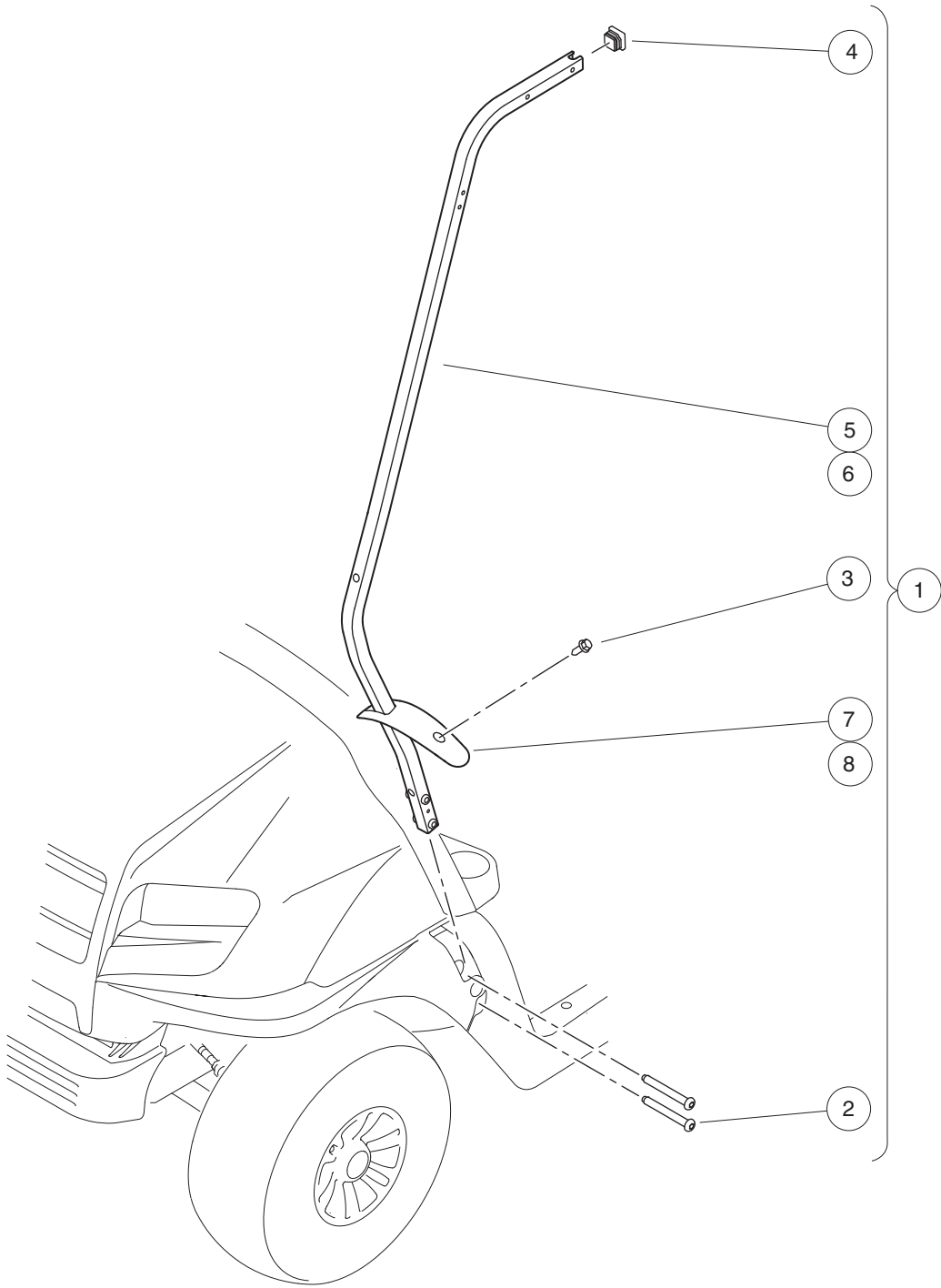
ITEM	PART NO.	DESCRIPTION	QTY
		1 2 3 4	
1	102513501	Asm-rear Canopy Support	2
2	103750001	Strut, Canopy Front, Passenger-side	1
3	103750101	Strut, Canopy Front, Driver-side	1
4	104008501	Kit, Hardware, Canopy, Std (includes items 5 through 12)	1
5	102298401	Nut, M8, All Metal Lock	2
6	102299065	M8-1.25 X 65 Tx Bttn Hd Bolt	4
7	102299360	Screw, M8-1.25 X 60, Sems, Tx	2
8	102299601	Screw, Pt, K80x70 Hex Flg Hd	2
9	102544201	Screw, M6 Hex	2
10	103196001	Washer, Conical Spring, Canopy	8
11	103199301	Bolt - M6 X 1 X 45 Hh Grey	4
12	103200301	Nut, M6 x 1.00	4
13	47631793001	Cover, Canopy Support, LH	1
14	47631793002	Cover, Canopy Support, RH	1

1

E

1

E



001397-002

FRONT STRUT KIT, FOUR-PASSENGER CANOPY

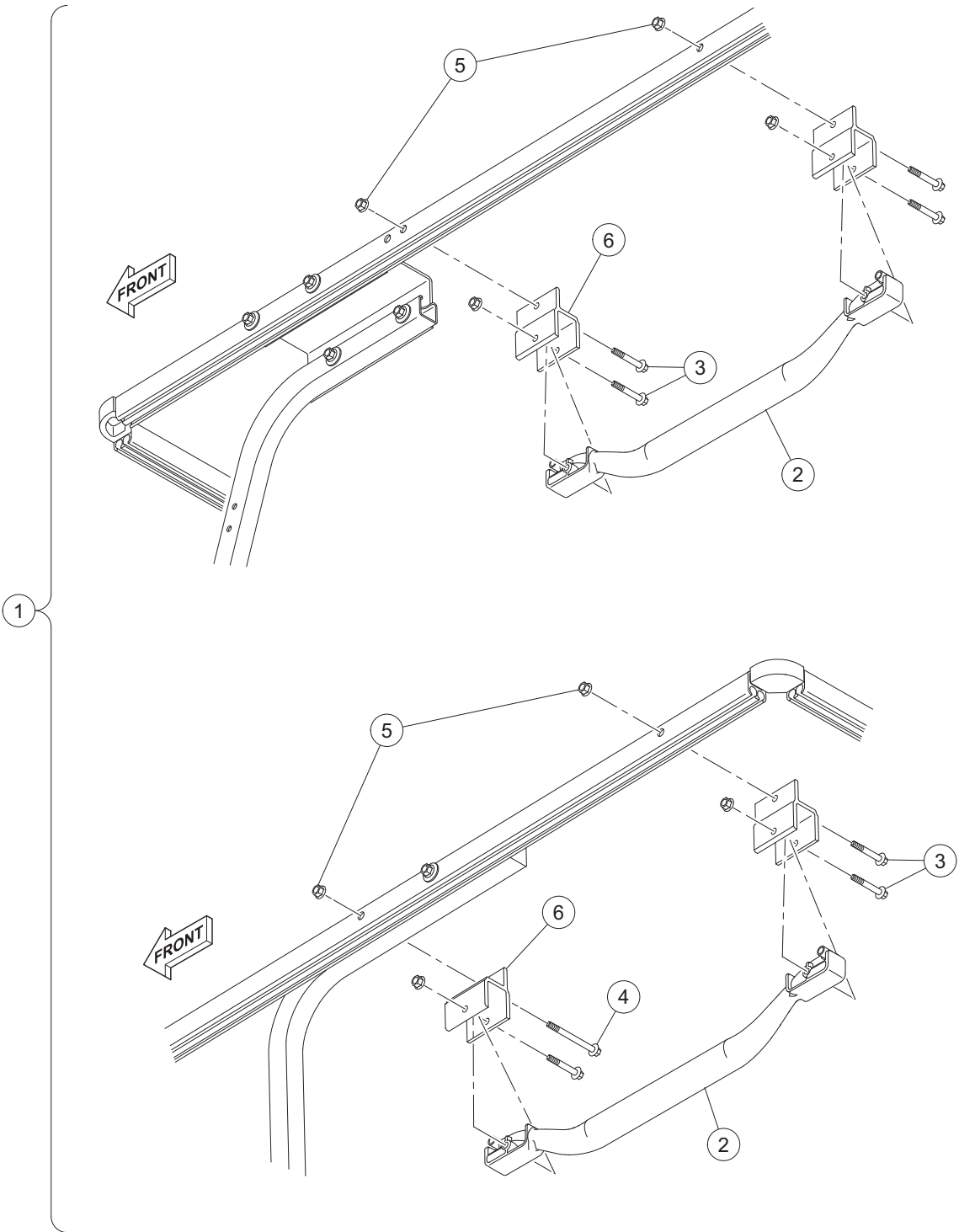
ITEM	PART NO.	DESCRIPTION	QTY
		1 2 3 4	
1	47592812003	Kit, Front Struts, Onward (includes items 2 through 8)	1
2	102299065	M8-1.25 X 65 Tx Bttn Hd Bolt	4
3	102544201	Screw, M6 Hex	2
4	102581201	Plug, Square - 25.4 mm	2
5	103750001	Strut, Canopy Front, Passenger-side	1
6	103750101	Strut, Canopy Front, Driver-side	1
7	47631793001	Cover, Canopy Support, LH	1
8	47631793002	Cover, Canopy Support, RH	1

1

E

1

E



G-140799-000006

GRAB HANDLE KITS

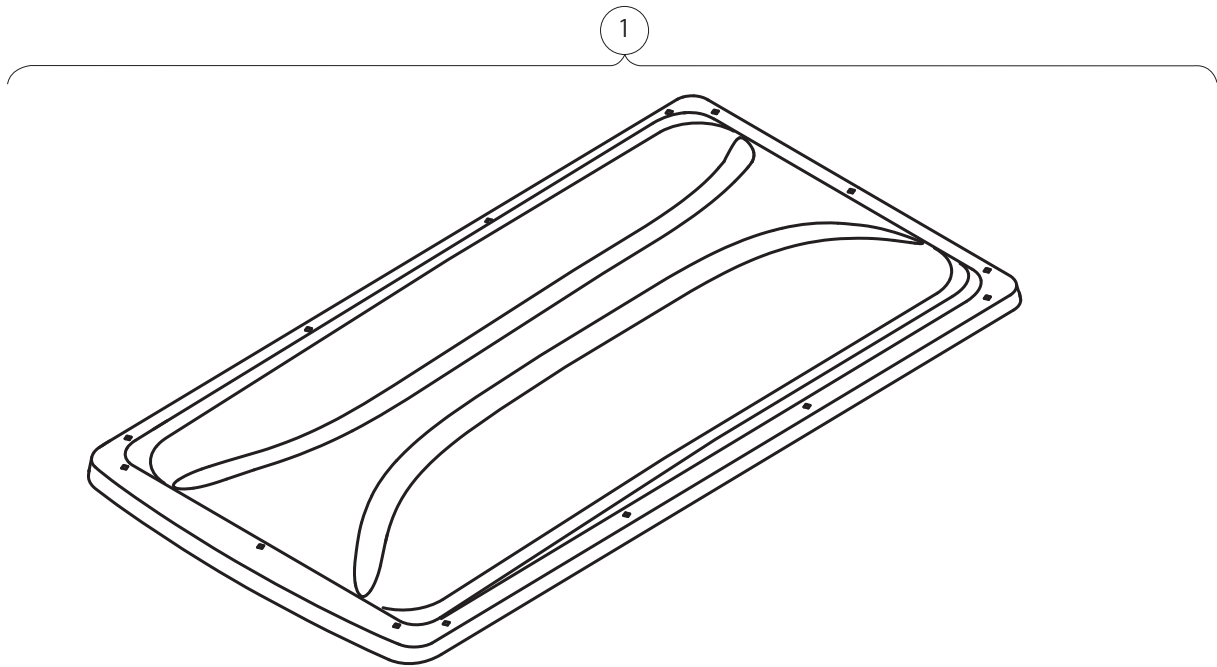
ITEM	PART NO.	DESCRIPTION	QTY
		1 2 3 4	
1	47634205001	Kit, Grab Handles (includes items 2 through 6)	1
2	102511603	Handle-canopy (black)	2
3	102541440	Bolt-m6x1.0x40 Hex Flhd, Blk	8
4	102541465	Bolt, M 6 X 1.0 X 65 Hex, Flange, Head, Black	2
5	102541501	Nut-m6x1.0 Fl Mtl Lock,blk	8
6	47634203001	Bracket, Grab Handle	4
7	47634205002	Kit, Grab Handle (includes items 8 through 11)	1
8	102511603	Handle-canopy (black)	1
9	102541440	Bolt-m6x1.0x40 Hex Flhd, Blk	4
10	102541501	Nut-m6x1.0 Fl Mtl Lock,blk	4
11	47634203001	Bracket, Grab Handle	2
		Note: Items 7 through 11 are not illustrated.	

1

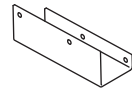
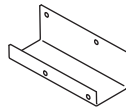
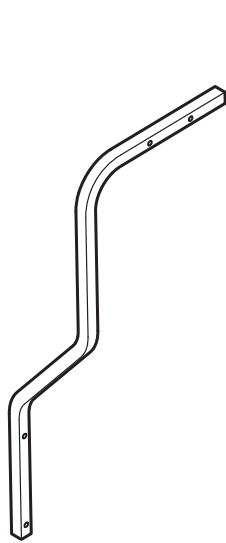
E

1

E



2

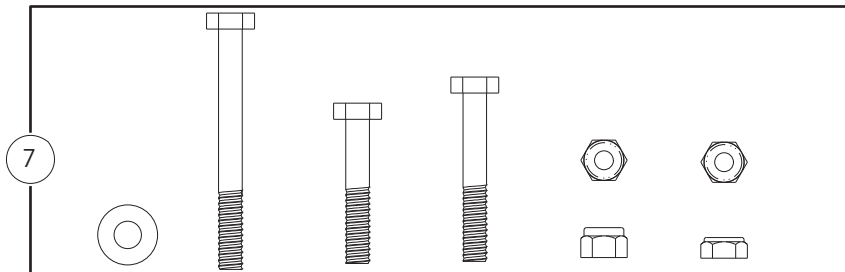


3

4

5

6



001329-001

FOUR-PASSENGER CANOPY WITH REAR STRUTS – BLACK

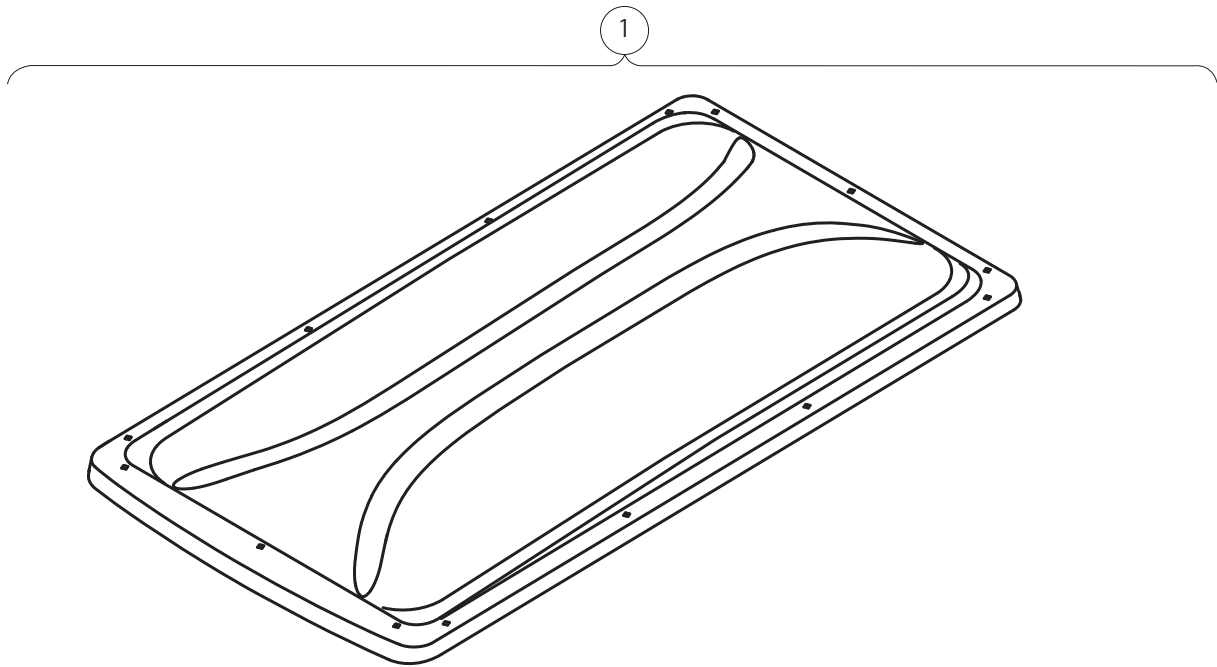
ITEM	PART NO.	DESCRIPTION	QTY
		1 2 3 4	
1	47570464001	Kit, Canopy, Phantom, Blk (includes items 2 through 7)	1
2	N/A	Top, Canopy, Phantom Blk	1
3	N/A	Strut, Canopy, Phantom Ds	1
4	N/A	Strut, Canopy, Phantom Ps	1
5	47582821001	Bracket, Canopy, Phantom Ds	1
6	47582821002	Bracket, Canopy, Phantom Ps	1
7	47583112001	Kit, Hardware, Canopy Phantom	1

1

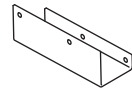
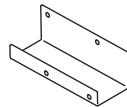
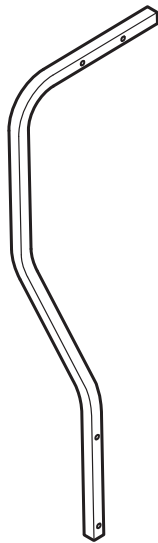
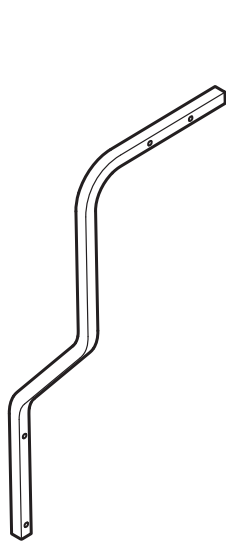
E

1

E



2

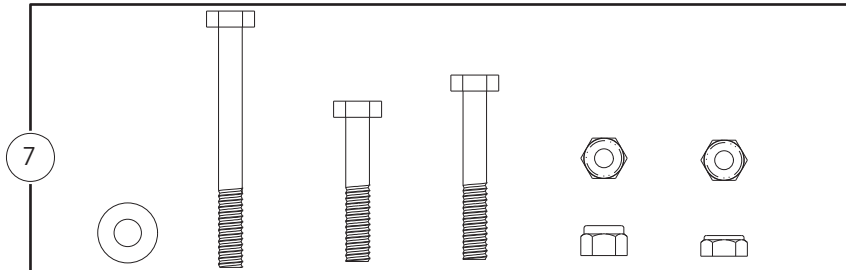


3

4

5

6



001329-001

FOUR-PASSENGER CANOPY WITH REAR STRUTS – WHITE

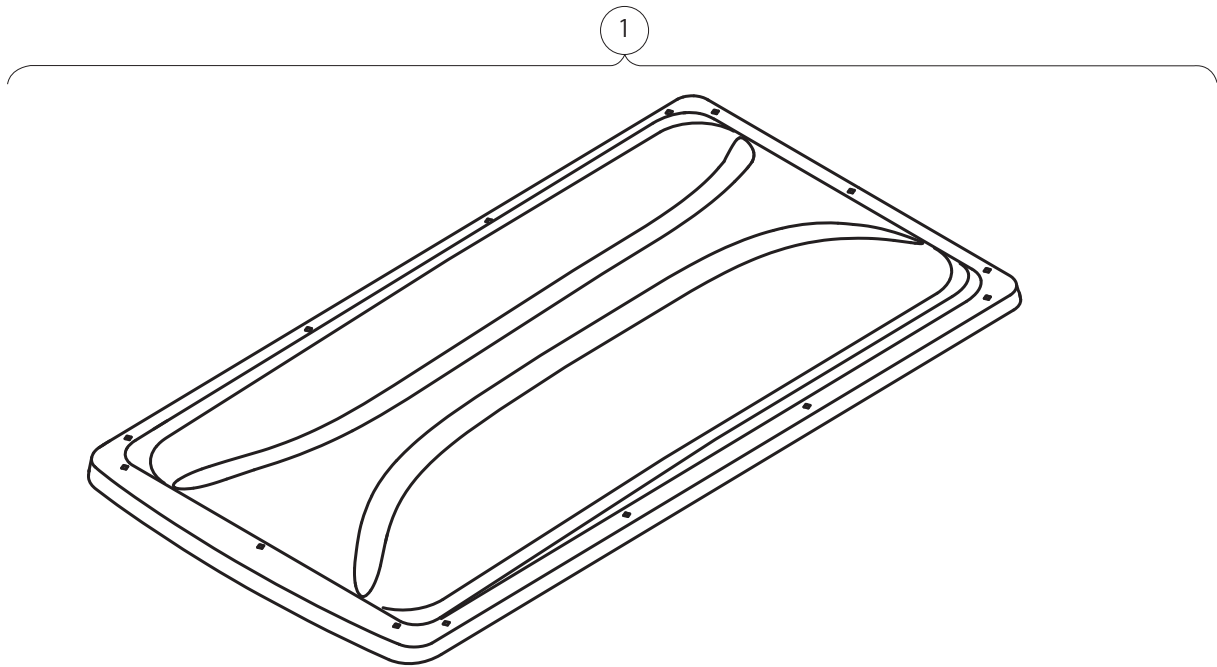
ITEM	PART NO.	DESCRIPTION	QTY
		1 2 3 4	
1	47570464002	Kit, Canopy, Phantom, Wht (includes items 2 through 7)	1
2	N/A	Top, Canopy, Phantom Wht	1
3	N/A	Strut, Canopy, Phantom Ds	1
4	N/A	Strut, Canopy, Phantom Ps	1
5	47582821001	Bracket, Canopy, Phantom Ds	1
6	47582821002	Bracket, Canopy, Phantom Ps	1
7	47583112001	Kit, Hardware, Canopy Phantom	1

1

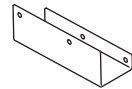
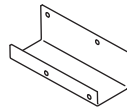
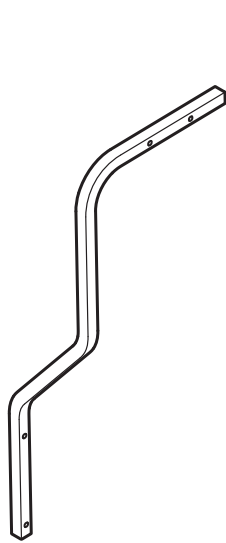
E

1

E



2

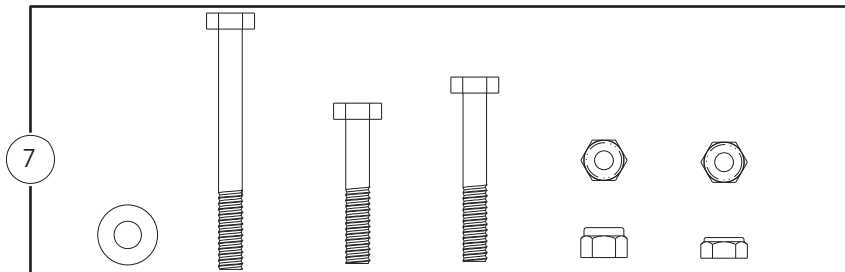


3

4

5

6



001329-001

FOUR-PASSENGER CANOPY WITH REAR STRUTS – BEIGE

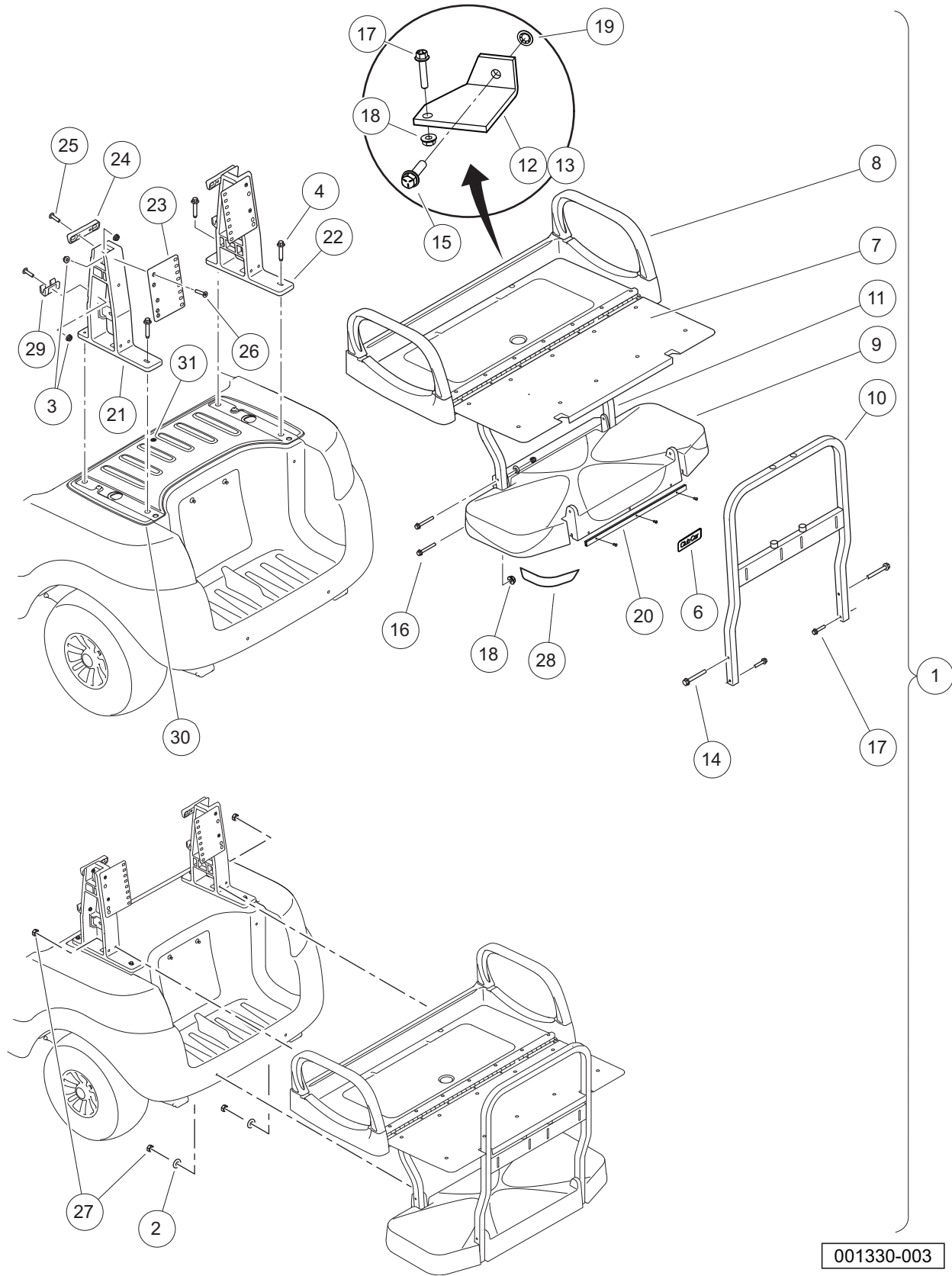
ITEM	PART NO.	DESCRIPTION	QTY
		1 2 3 4	
1	47570464003	Kit, Canopy, Phantom, Beige (includes items 2 through 7)	1
2	N/A	Top, Canopy, Phantom Beige	1
3	N/A	Strut, Canopy, Phantom Ds	1
4	N/A	Strut, Canopy, Phantom Ps	1
5	47582821001	Bracket, Canopy, Phantom Ds	1
6	47582821002	Bracket, Canopy, Phantom Ps	1
7	47583112001	Kit, Hardware, Canopy Phantom	1

1

E

1

E



REAR-FACING SEAT FRAME AND FOOT DECK – CONSUMER CAR

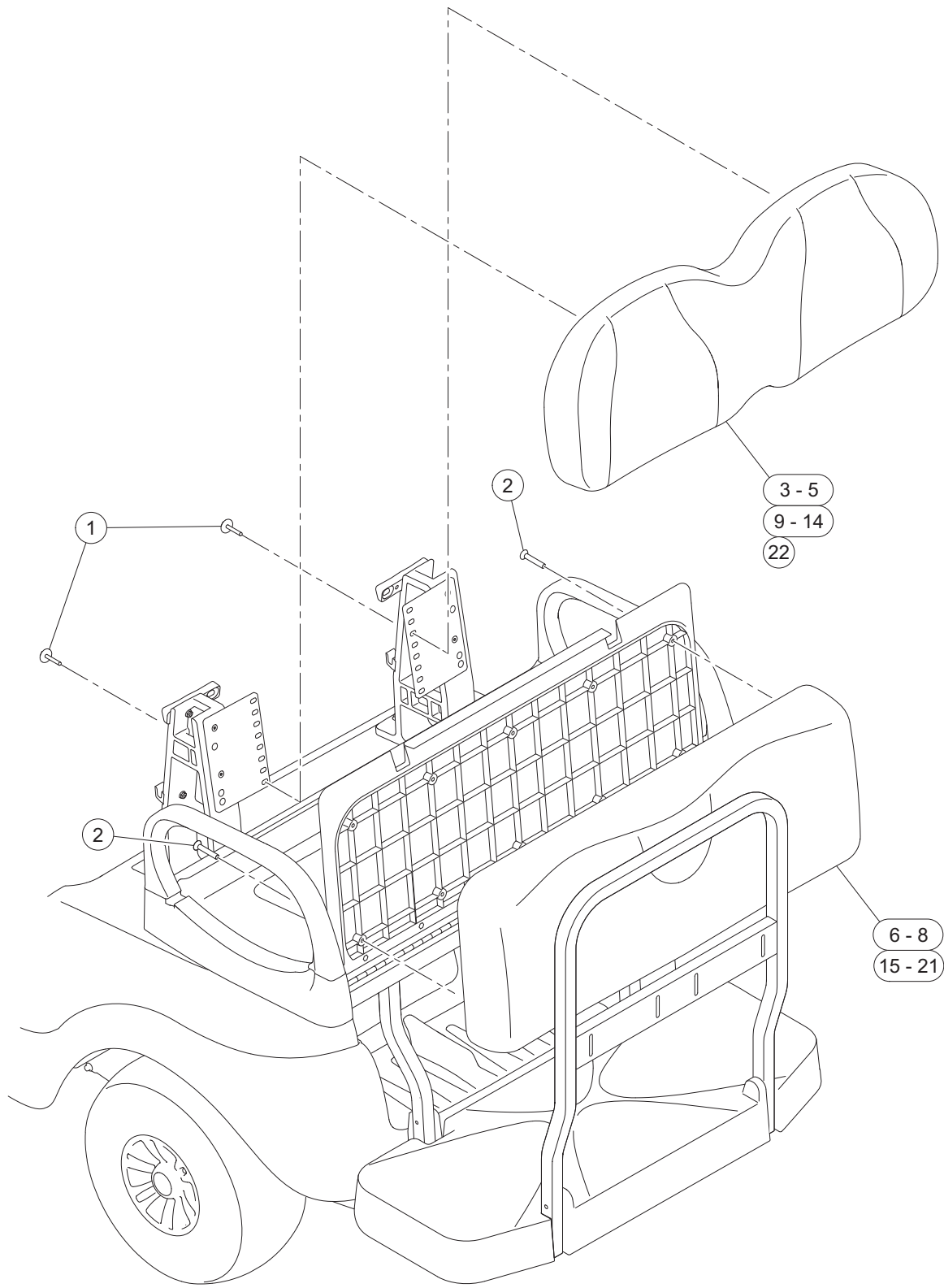
ITEM	PART NO.	DESCRIPTION	QTY
		1 2 3 4	
1	47592811001	Kit, Folddown, Seatback, 4-Passenger (includes items 2 through 29)	1
2	1011578	Washer, 5/16 Type B Flat	2
3	101835601	Locknut, 1/4-20 Hex Whiz	8
4	102298240	Bolt, Flange Head, M8-1.25 X 40	4
5	N/A	Asm, Fold Down Seat, Csmr, MX5 (includes items 6 through 20)	1
6	102278802	Decal, Club Car, Silver	1
7	47564782001	Assy, Seat Base, Dmd, Mx5	1
8	47564783001	Arm Rest, Mx5	2
9	47564784001	Assy, Foot Rest, Mx5	1
10	47564785001	Grab Bar, Rear, Mx5	1
11	47564786001	Support, Bumper Mount, MX5	1
12	47564787001	Bracket, Seat Base Mount, Driver-side, MX5	1
13	47564787002	Bracket, Seat Base Mount, Passenger-side, MX5	1
14	47568672001	Bolt, 5/16-18x2.5 Hx Flg Zn G8	4
15	47568673001	Bolt, 5/16-18x1.25 Hx Flg Zn G5	2
16	47568674001	Bolt, 1/4-20x2.0 Hx Flg Zn G5	6
17	47568674002	Bolt, 1/4-20x1.25 Hx Flg Zn G5	4
18	47568676001	Nut, 1/4-20 Hx Flg Zn Nyloc	10
19	47568677001	Nut, 5/16, Push, Ps	4
20	47581051001	Stiffener, Foot Rest, Mx5	1
21	47563300001	Support, Seat Back, Driver-side, MX5, Csmr	1
22	47563300002	Support, Seat Back, Passenger-side, MX5, Csmr	1
23	47563301001	Bracket, Seat Back, Rear, Csmr	2
24	47563302001	Brkt, St Bk, Frnt, Top, Csmr	2
25	47563304001	Screw, Trshd, 1/4-20x1.00, Lp	4
26	47563305001	Screw, Flthd, 1/4-20x1.25, Lp	4
27	47568675001	Nut, 5/16-18 Hx Flg Zn Nyloc	4
28	47578327001	Reflector, Reflex, Red, Mx5	2
29	47624766001	Bracket, Seat Back, Front, Btm	2
30	47653531001	Cover, Underbody, 4-6 Pass (includes item 31)	1
31	1010434	Barrel - Plastic	1
		Note: Item 5 is not illustrated.	

1

E

1

E



G-140699-000038

REAR-FACING SEAT

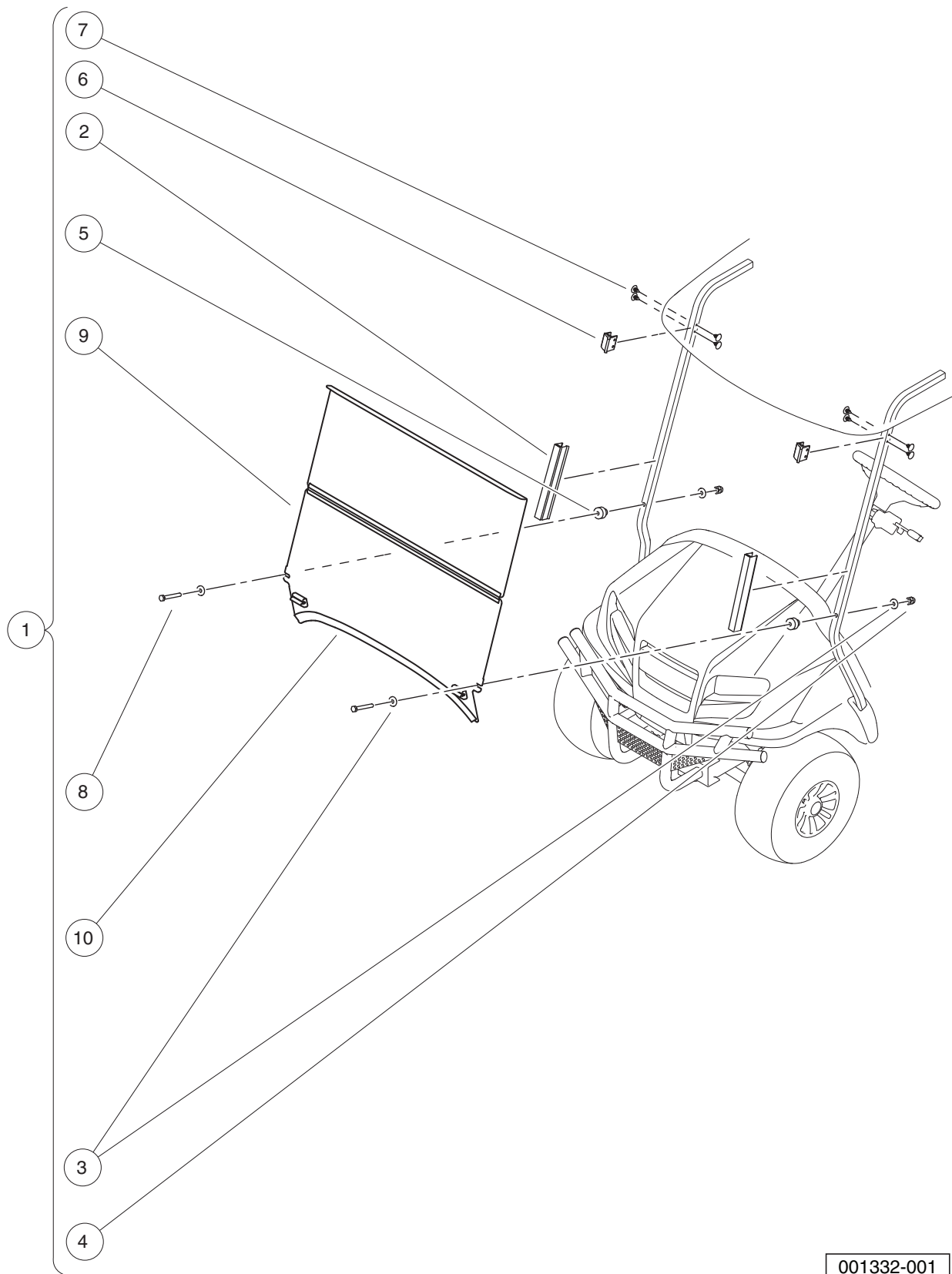
ITEM	PART NO.	DESCRIPTION	QTY
		1 2 3 4	
1	47563306001	Screw, M6x1.0x30, Sems, Lp	4
2	47563307001	Screw, Flthd, 1/4-20x1.50, Ss	10
3	47564886021	Asm, Seat Back, Rear, Beige, Service Replacement	1
4	47564886022	Asm, Seat Back, Rear, White, Service Replacement	1
5	47564886025	Asm, Seat Back, Rear, Black, Service Replacement	1
6	47564887021	Asm, Seat Bottom, Rear, Beige, Service Replacement	1
7	47564887022	Asm, Seat Bottom, Rear, White, Service Replacement	1
8	47564887025	Asm, Seat Bottom, Rear, Black, Service Replacement	1
9	47564888021	Asm, Seat Back, Rear, Lt. Beige, Service Replacement	1
10	47564888022	Asm, Seat Back, Rear, Camello, Service Replacement	1
11	47564888023	Asm, Seat Back, Rear, Off-White, Service Replacement	1
12	47564888027	Asm, Seat Back, Rear, Black, Service Replacement	1
13	47564888028	Asm, Seat Back, Rear, Black/Gray, Service Replacement	1
14	47564888029	Asm,bk,rr,gray,srv,prem	1
15	47564889021	Asm, Seat Bottom, Rear, Lt. Beige, Service Replacement	1
16	47564889022	Asm, Seat Bottom, Rear, Camello, Service Replacement	1
17	47564889023	Asm, Seat Bottom, Rear, Off-White, Service Replacement	1
18	47564889027	Asm, Seat Bottom, Rear, Black, Service Replacement	1
19	47564889028	Asm, Seat Bottom, Rear, Black/Gray, Service Replacement	1
20	47564889029	Asm,btm,rr,gray,srv,prem	1
21	47686234002	Asm,prem,btm,rr,wht,wht,blk,sp	1
22	47686235002	Asm,prem,bk,rr,wht,wht,blk,sp	1
		<p>Note: For current or additional color options, contact your local Club Car dealer or distributor.</p>	

1

E

1

E



001332-001

HINGED WINDSHIELD, CLEAR

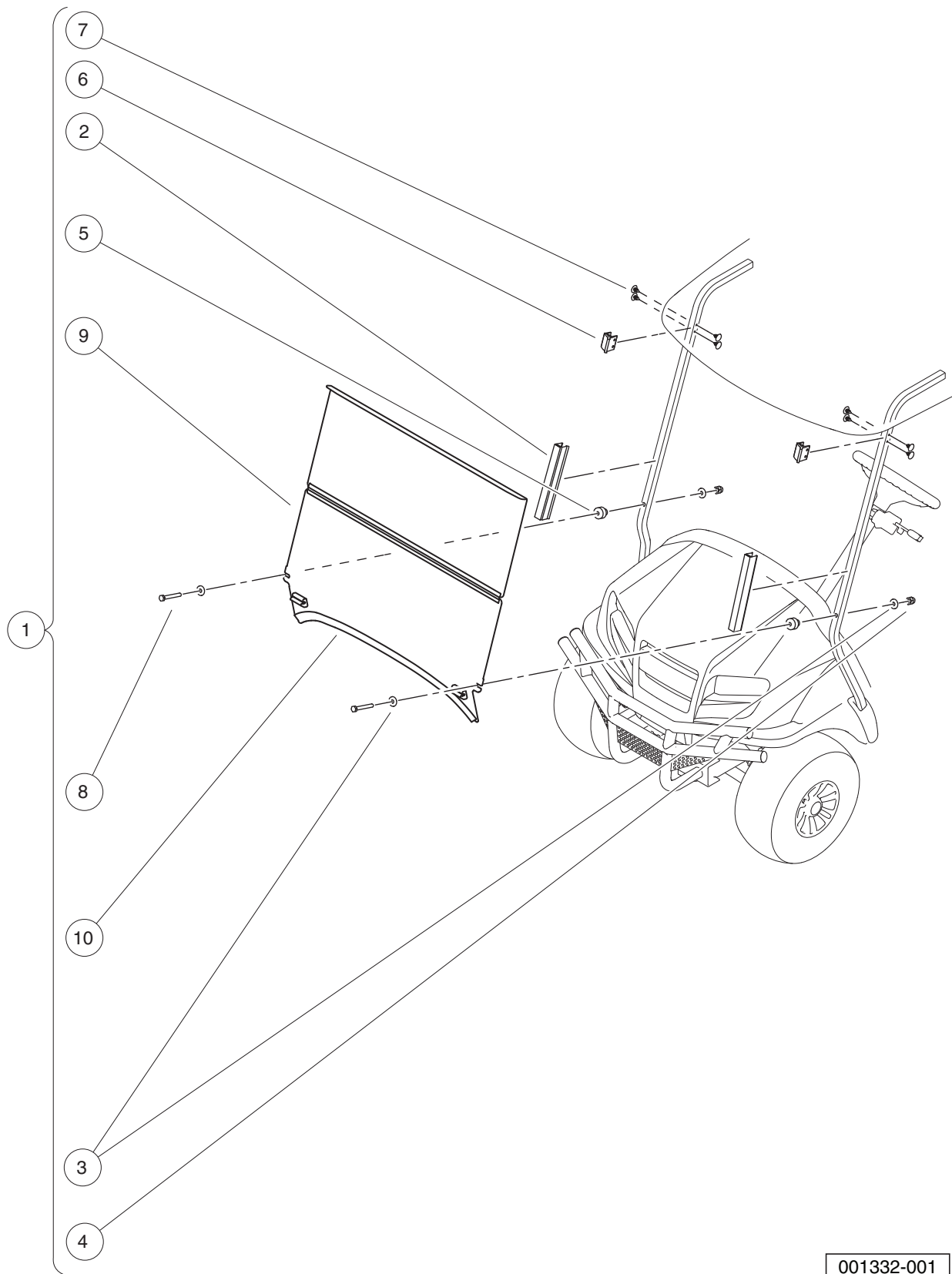
ITEM	PART NO.	DESCRIPTION	QTY
		1 2 3 4	
1	47576798001	Kit, Std Hinged W/s, Csmr (includes items 2 through 9)	1
2	102163001	Windshield Channel	2
3	102296301	Washer, M6x18x1.6 Flat	4
4	102582401	Cap Nut M6, Sp	2
5	102947601	Grommet, Windshield	2
6	103677101	W/s, Rubber, Clip Retainer	2
7	103754901	Fastener, Barrel - .610 X .25	8
8	105289701	M6x1.0x48 Hex Hd Bolt-blk	2
9	47576797001	Asm Hinged/windshield Consumer (includes item 10)	1
10	47576796001	Bulb Seal, Windshield	1

1

E

1

E



001332-001

HINGED WINDSHIELD, TINTED

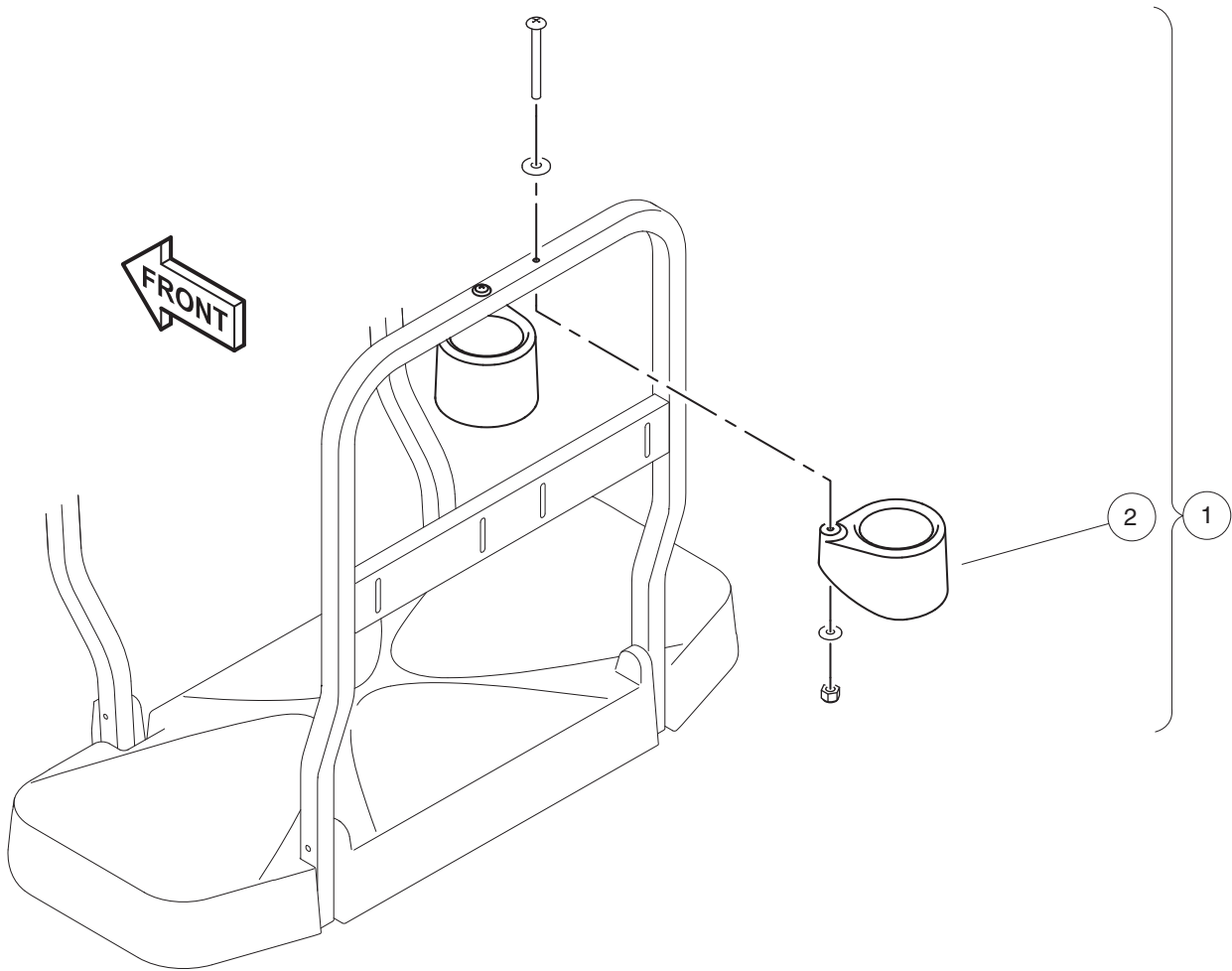
ITEM	PART NO.	DESCRIPTION	QTY
		1 2 3 4	
1	47579760001	Kit, Hinged W/s Tinted, Cnsmr (includes items 2 through 9)	1
2	102163001	Windshield Channel	2
3	102296301	Washer, M6x18x1.6 Flat	4
4	102582401	Cap Nut M6, Sp	2
5	102947601	Grommet, Windshield	2
6	103677101	W/s, Rubber, Clip Retainer	2
7	103754901	Fastener, Barrel - .610 X .25	8
8	105289701	M6x1.0x48 Hex Hd Bolt-blk	2
9	47579759001	Asm Hinged/ws Tinted Cnsmr (includes item 10)	1
10	47576796001	Bulb Seal, Windshield	1

1

E

1

E



001333-001

BEVERAGE HOLDER

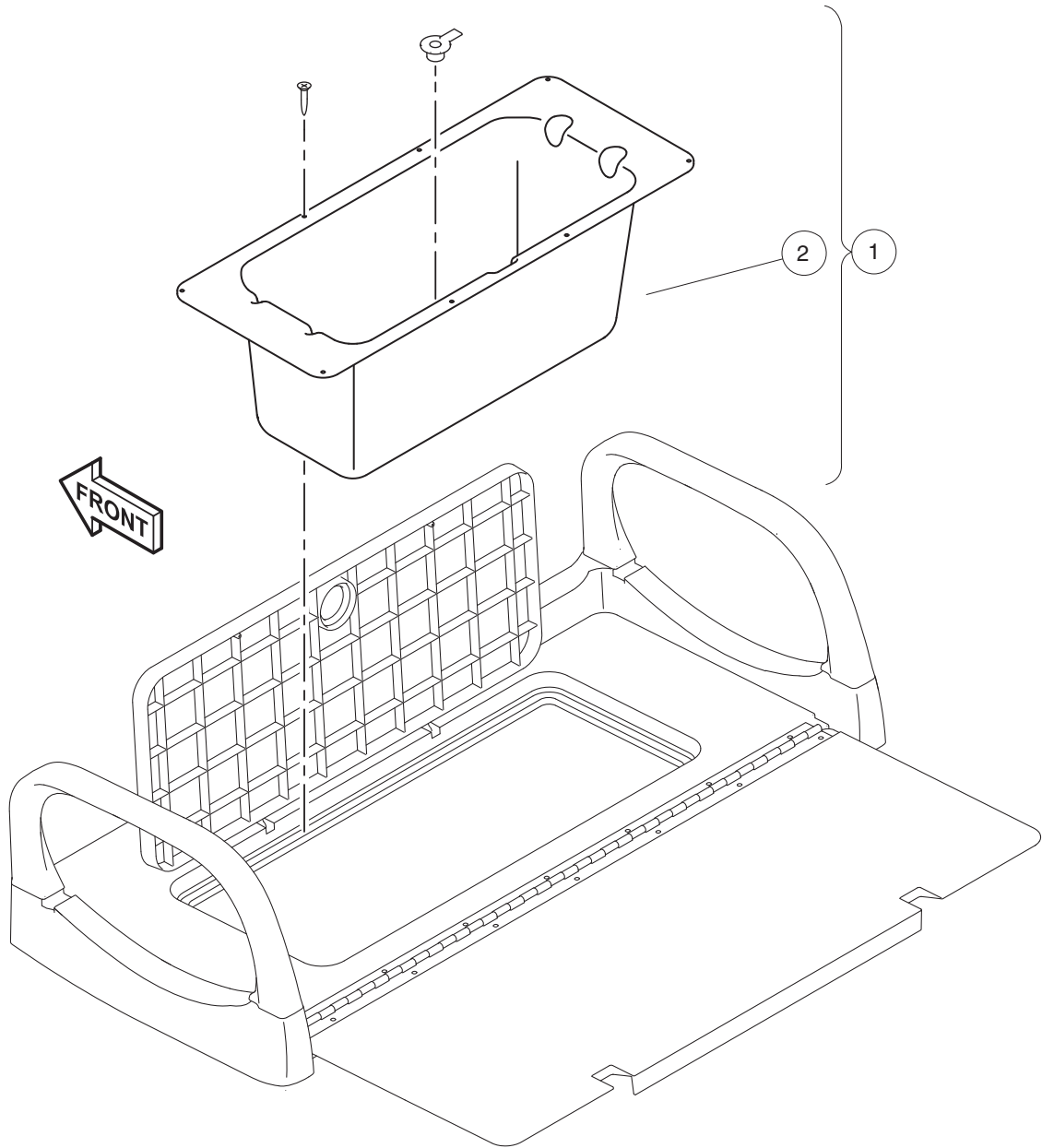
ITEM	PART NO.	DESCRIPTION	QTY
		1 2 3 4	
1	47579985001	Kit, Holder, Beverage, Mx5 (includes item 2)	1
2	47582270001	Assy, Holder, Beverage, Mx5	2

1

E

1

E



001334-001

BUCKET STORAGE

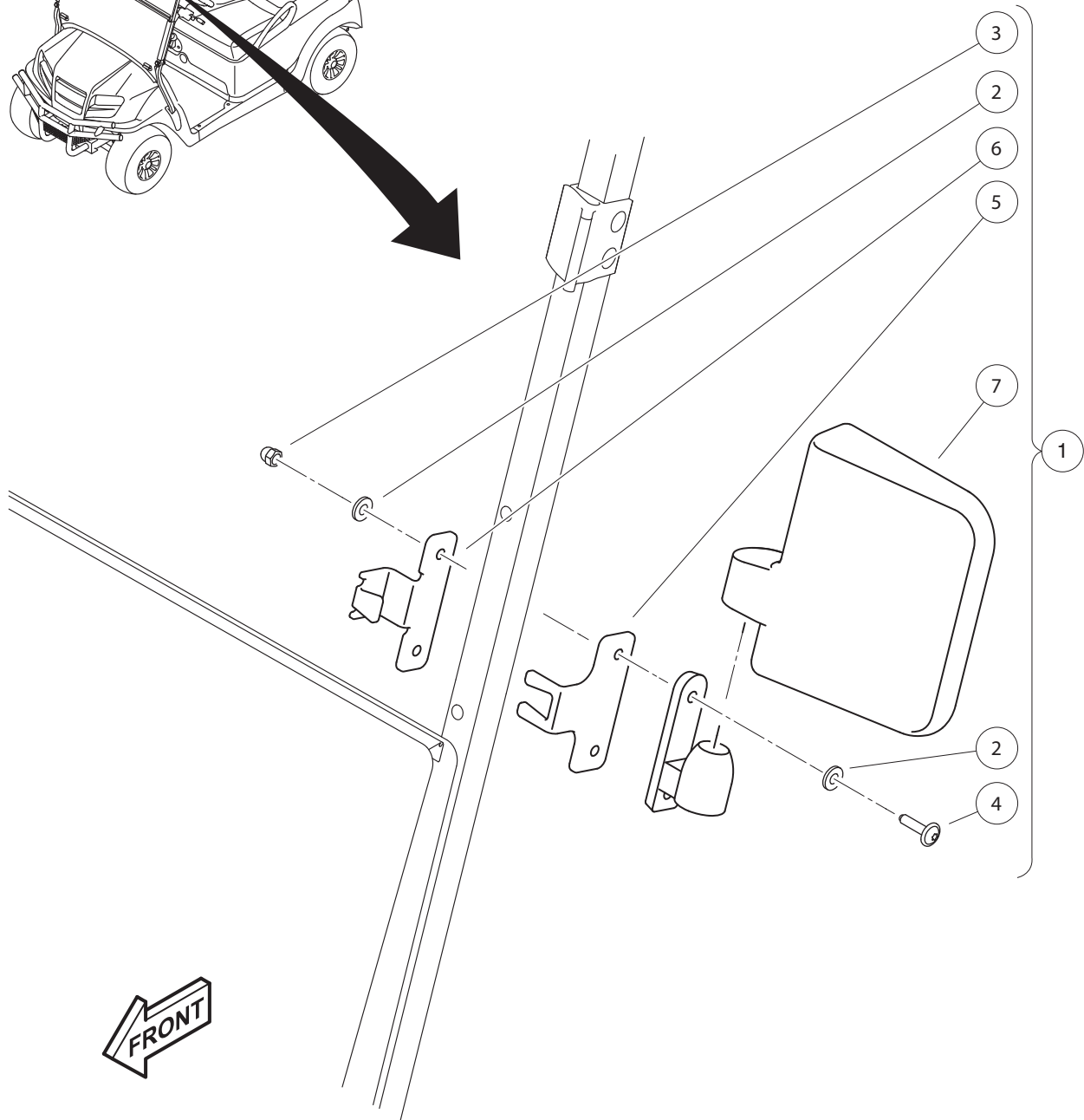
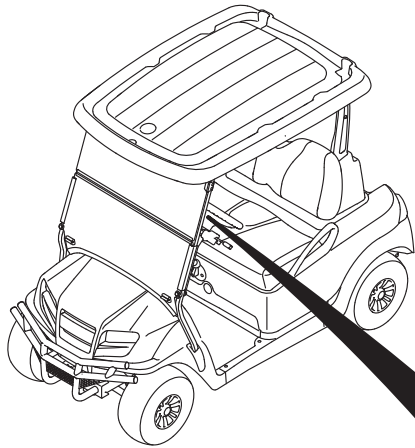
ITEM	PART NO.	DESCRIPTION	QTY
		1 2 3 4	
1	47579986001	Kit, Bucket, Storage, Mx5 (includes item 2)	1
2	47582271001	Assy, Bucket, Storage, Mx5	1

1

E

1

E



001336-001

MIRRORS, SIDE

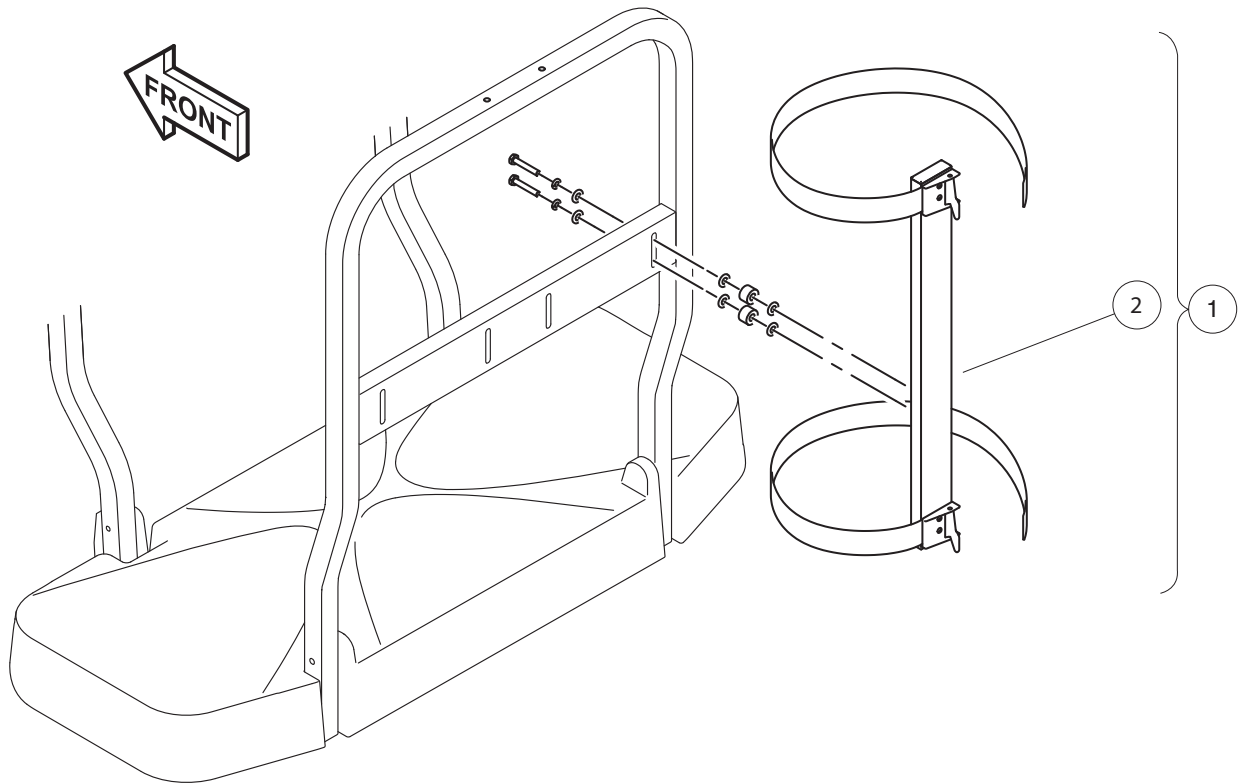
ITEM	PART NO.	DESCRIPTION	QTY
		1 2 3 4	
1	47577558001	Kit, Side Mirrors, Csmr (includes items 2 through 7)	1
2	102296301	Washer, M6x18x1.6 Flat	8
3	102582401	Cap Nut M6, Sp	4
4	47577554001	Screw, M6, Torx T30 Recess	4
5	47577555001	Mirror Bracket, Mnt, Outer	2
6	47577556001	Mirror Bracket, Mnt, Inner	2
7	47577557001	Asm Side Mirrors, Res	1

1

E

1

E



001337-001

GOLF BAG HOLDER

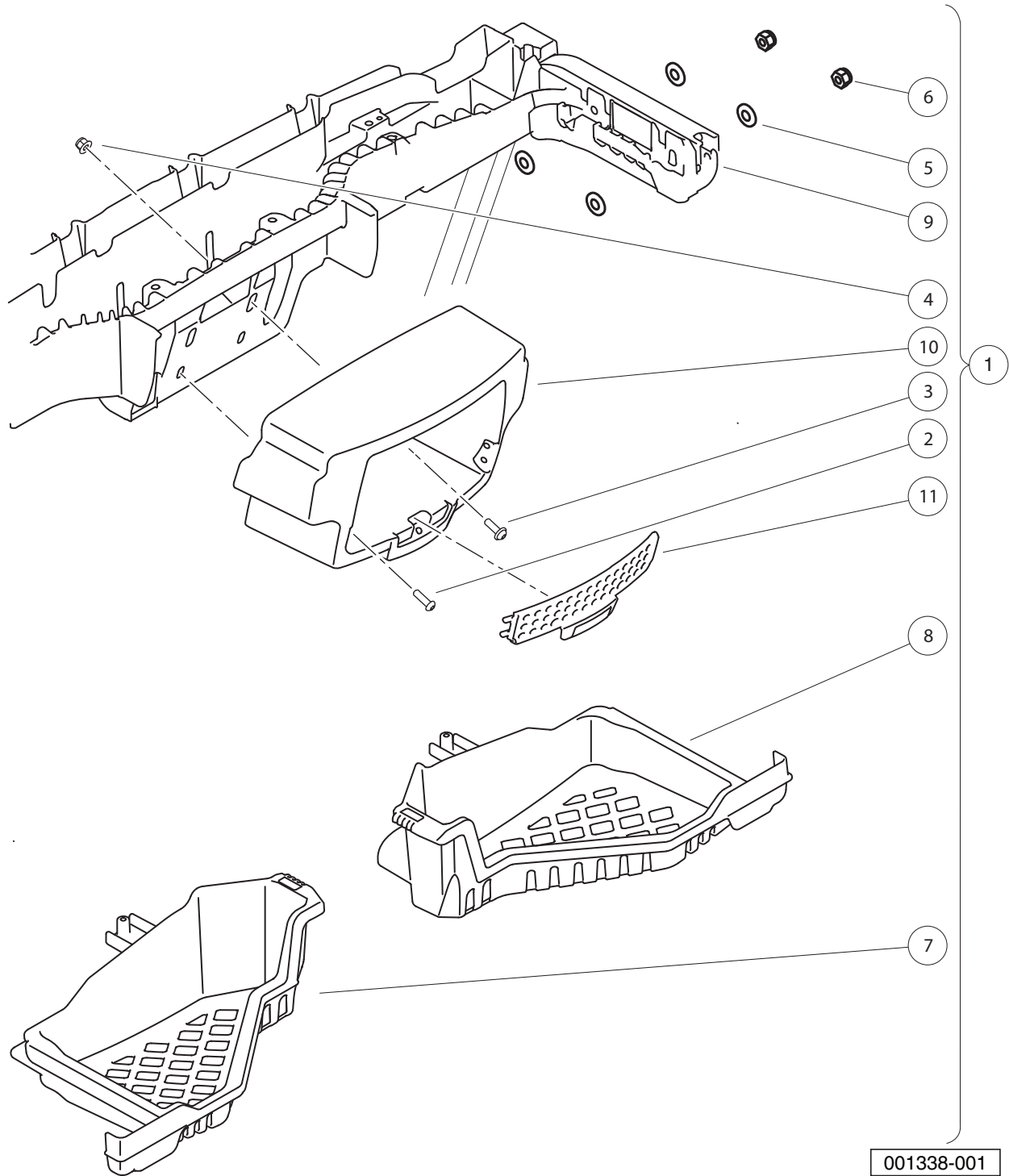
ITEM	PART NO.	DESCRIPTION	QTY
1	47570463001	1 2 3 4 Kit, Holder, Golf Bag, Mx5 (includes item 2)	1
2	47582268001	Assy, Holder, Golf Bag, Mx5	1

1

E

1

E



OVERHEAD STORAGE

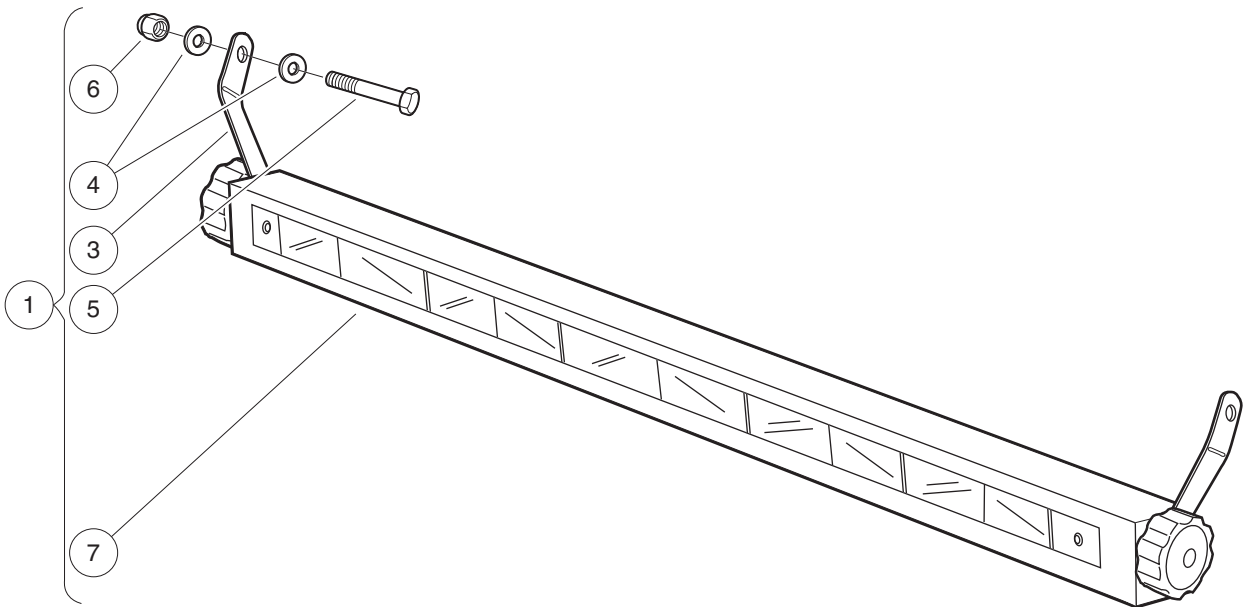
ITEM	PART NO.	DESCRIPTION	QTY
		1 2 3 4	
1	47582822001	Kit, Ovh Storage System (includes items 2 through 11)	1
2	102296150	Bolt - M6x1.0x50 Hex Flng Hd	4
3	102296920	Screw, M6, Torx Button Head, Sems	2
4	102621501	Nut, Flange, M6 X 1.0, Nylon	2
5	103196001	Washer, Conical Spring, Canopy	8
6	103200301	Nut, M6 x 1.00	4
7	47559264001	Basket, Overhead, Driver-side	1
8	47559264002	Basket, Overhead, Passenger-side	1
9	47559265002	Support, Display Unit, Bt	1
10	47581131001	Storage Unit, Center, Csmr	1
11	47581132001	Closeout, Plastic, Perforated	1

1

E

1

E



000720-005

MIRROR, 5-PANEL

ITEM	PART NO.	DESCRIPTION	QTY
		1 2 3 4	
1	AM15028001	Kit, Mirror 5 Panel, Csmr Pack (includes item 2)	1
2	105288901	Mirror Kit, Wink (includes items 3 through 7)	1
3	105313801	Brkt, Mirror, 5 Panel, Mtg	2
4	332	Washer, 1/4 Type A Narrow Flat	8
5	7311	Screw, 1/4-20 X 2.00 Hex-Head Cap	2
6	8233	Locknut, 1/4-20, Nylon Insert	2
7	AM10092	ICS 5-Panel Mirror	1
		Note: Item 2 is not illustrated.	

1

E

1

E

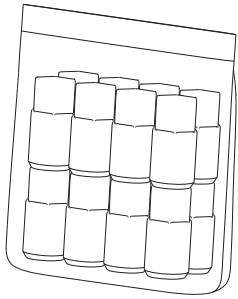
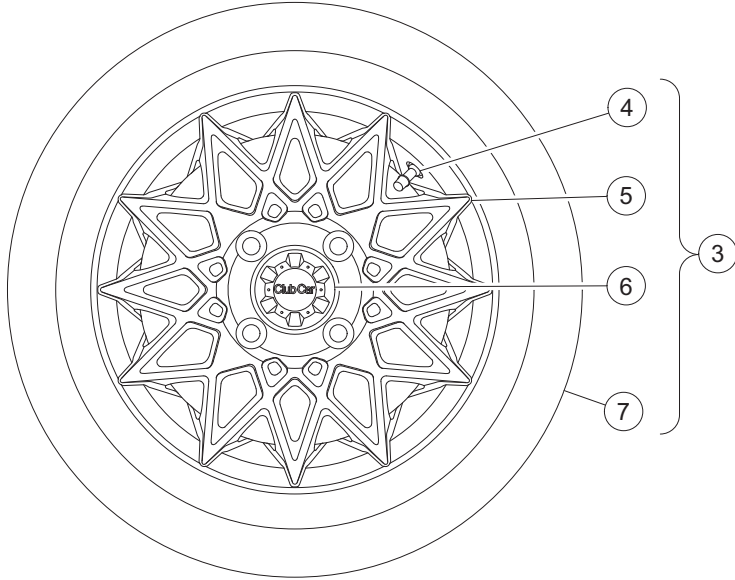
WHEELS AND TIRES

2

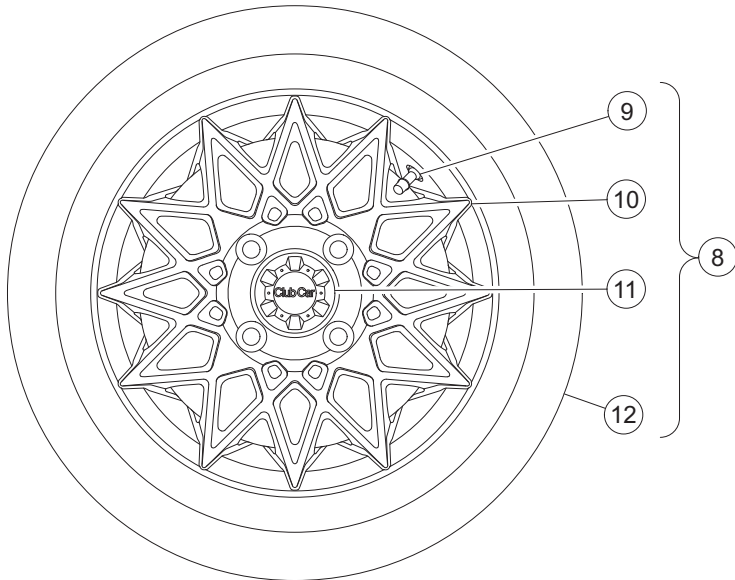
G

E

2
G
E



1 2



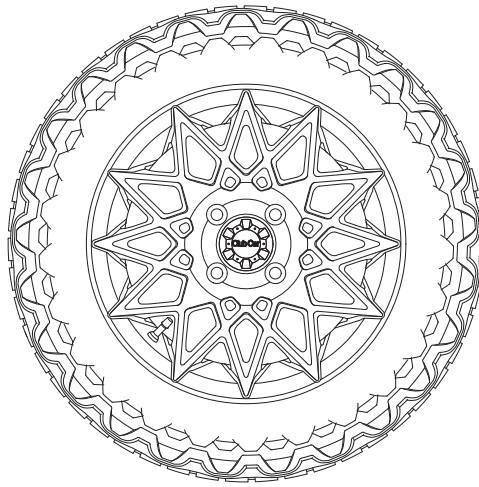
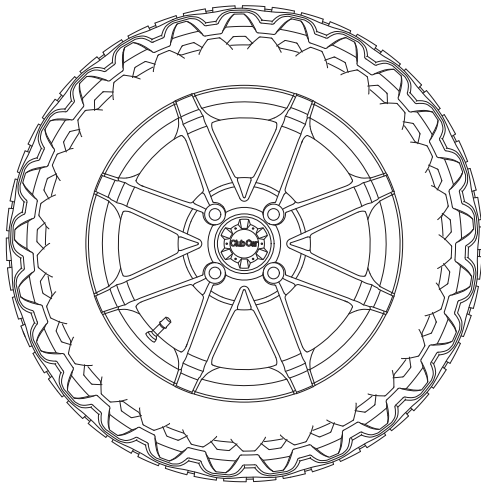
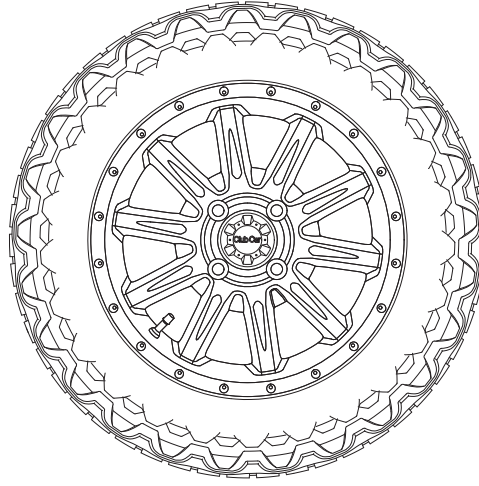
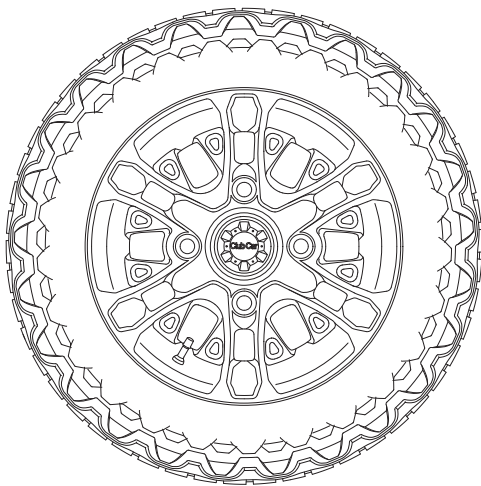
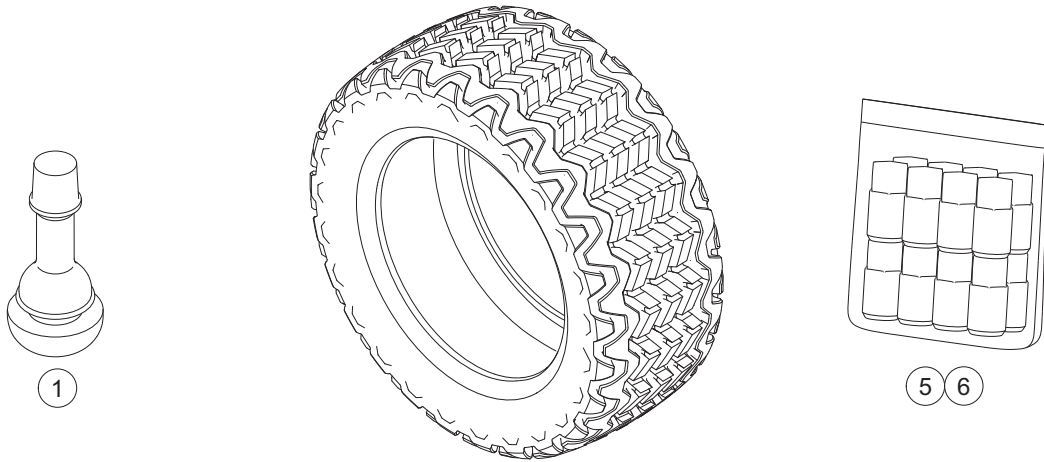
G-090099-000013

WHEEL AND TIRE ASSEMBLIES – 12 INCH

ITEM	PART NO.	DESCRIPTION	QTY
		1 2 3 4	
1	47590808001	Kit, Lugnut, Csmr (includes item 2)	1
2	47562951001	Nut, Lug, 17x1/2-20, Chrome	16
3	47678899001	Asm, 205/40-r12 Sb,athena,gbms (includes items 4 through 7)	A/R
4	103832401	Valve Stem With Cap, Chrome	1
5	47678898001	Wheel, Athena, 12", Gls Blk Ms (includes item 6)	1
6	47625132002	Cap, Cntr, Gloss Blk, Club Car	1
7	47678900001	Tire, Kruizer, 205/40-r12	1
8	47678899010	Asm, 205/40-r12 Sb,athena,ch (includes items 9 through 12)	A/R
9	103832401	Valve Stem With Cap, Chrome	1
10	47678898010	Wheel, Athena, 12", Brt Chrome (includes item 11)	1
11	47625132001	Cap, Cntr, Chrome, Club Car	1
12	47678900001	Tire, Kruizer, 205/40-r12	1
<p>Note: For additional wheel and tire options that may be available, please contact your local Club Car dealer or distributor.</p>			

2
G
E

2
G
E



G-090099-000014

WHEEL AND TIRE ASSEMBLIES – 14 INCH

ITEM	PART NO.	DESCRIPTION	QTY
		1 2 3 4	
1	103832401	Valve Stem With Cap, Chrome	1
2	47561635001	Tire, 23x10-14 Kraken	1
3	47562947002	Asm, 23x10-14 Kraken, Mercury 14" Matte Black	4
4	47562947004	Asm, 23x10-14 Krkn, Mer,gb,cc	4
5	47590808001	Kit, Lugnut, Csmr (includes item 6)	1
6	47562951001	Nut, Lug, 17x1/2-20, Chrome	16
7	47641038001	Asm, 23x10-14 Krkn, Zeus,gb,cc	4
8	47641039003	Asm,23x10-14 Krkn,aerion,bc,cc	4
9	47659723010	Asm, 23x10-14 Krkn,athena,ch	4
<p>Note: For additional wheel and tire options that may be available, please contact your local Club Car dealer or distributor.</p>			

2
G
E

2

G

E

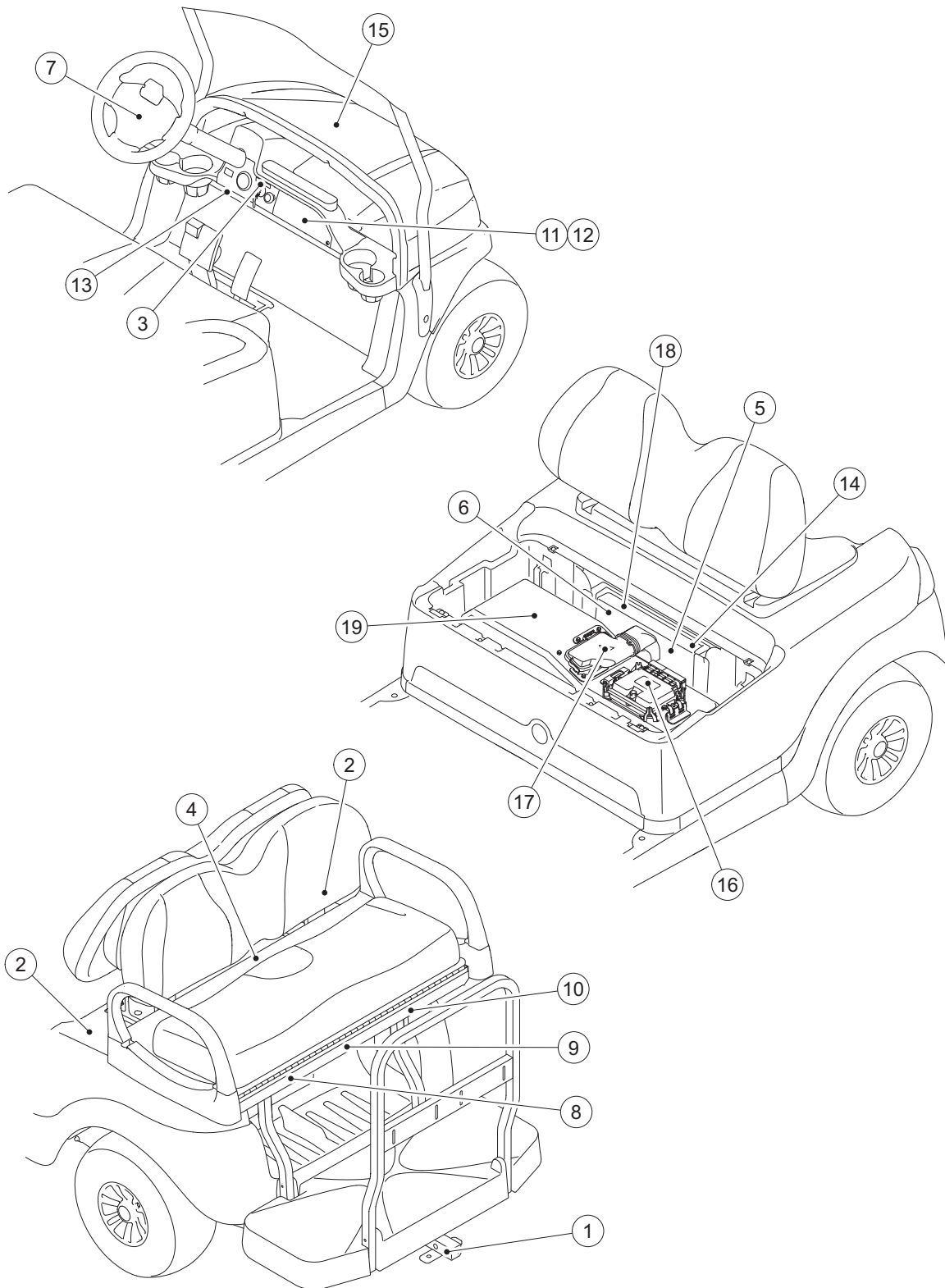
DECALS

3

E

3

E



G-160299-000010

DECALS

3

E

ITEM	PART NO.	DESCRIPTION	QTY
		1 2 3 4	
1	1011553	Decal, Trailer Hitch	1
2	101609401	Decal, Crush Area Warning	2
3	101825104	Decal, Keyswitch, Acc	1
4	101972001	Decal, D.s. Box Bed Warning (for vehicles with bed box option)	1
5	103384601	Decal-water Exposure	1
6	103384701	Decal-warning, Short	1
7	103783001	Decal, Op Instr, Ele	1
8	105267301	Decal, Warn, Fld L	1
9	105267401	Decal, Warn, Fld M	1
10	105267501	Decal, Warn, Fld R	1
11	47574958001	Decal, Warning	A/R
12	47574958004	Decal, Warning Ptv, 500	A/R
13	47586040001	Decal, Warn	1
14	47586191001	Decal, Compliance, Mirrors	1
15	47592393001	Decal, Warn, Windshield	1
16	47620652001	Controller, Vcm, Li, Ev2106b01	1
17	47624328001	Decal, Hazard, Cvr	1
18	47624651001	Decal, Warning, Li, Run Tow	1
19	47628717001	Decal, Hazard, Battery, Li	1
		 Note: Item 11 is for four passenger vehicles only. Item 12 is for two passenger vehicles only.	

3

E



①



②

G-160299-000009

DECALS – BADGING

ITEM	PART NO.	DESCRIPTION	QTY
		1 2 3 4	
1	102883602	Decal, Nameplate, Csmr	1
2	47594888002	Decal, Branding, Onward Li-in	2

3

E

3

E

LIGHTS, CONTROLS AND INDICATORS

4

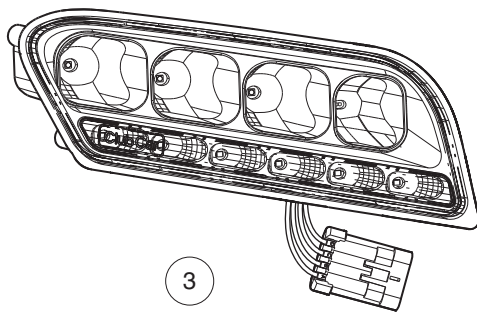
E

4

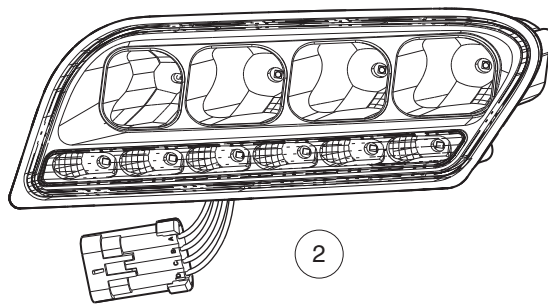
E



1



3



2

001341-001

HEADLIGHTS – ONWARD

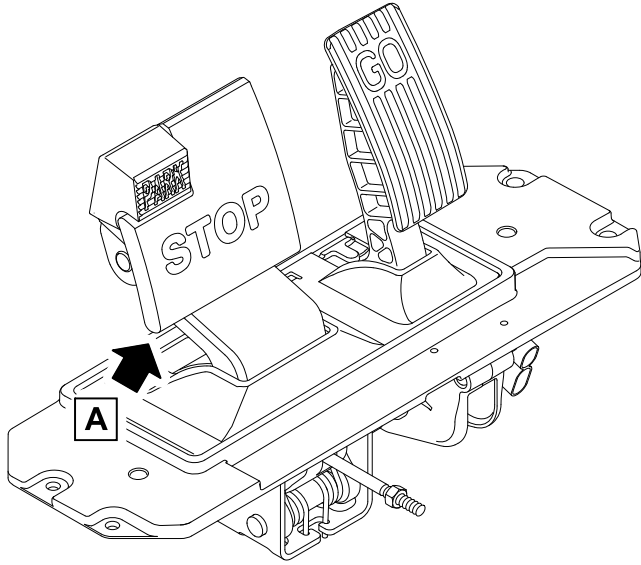
ITEM	PART NO.	DESCRIPTION	QTY
		1 2 3 4	
1	102296020	Screw-torx Pan Head Pt, M6x20	8
2	47565234007	Asm, Headlight, Led, Lh, Sp	1
3	47565234008	Asm, Headlight, Led, Rh, Sp	1

4

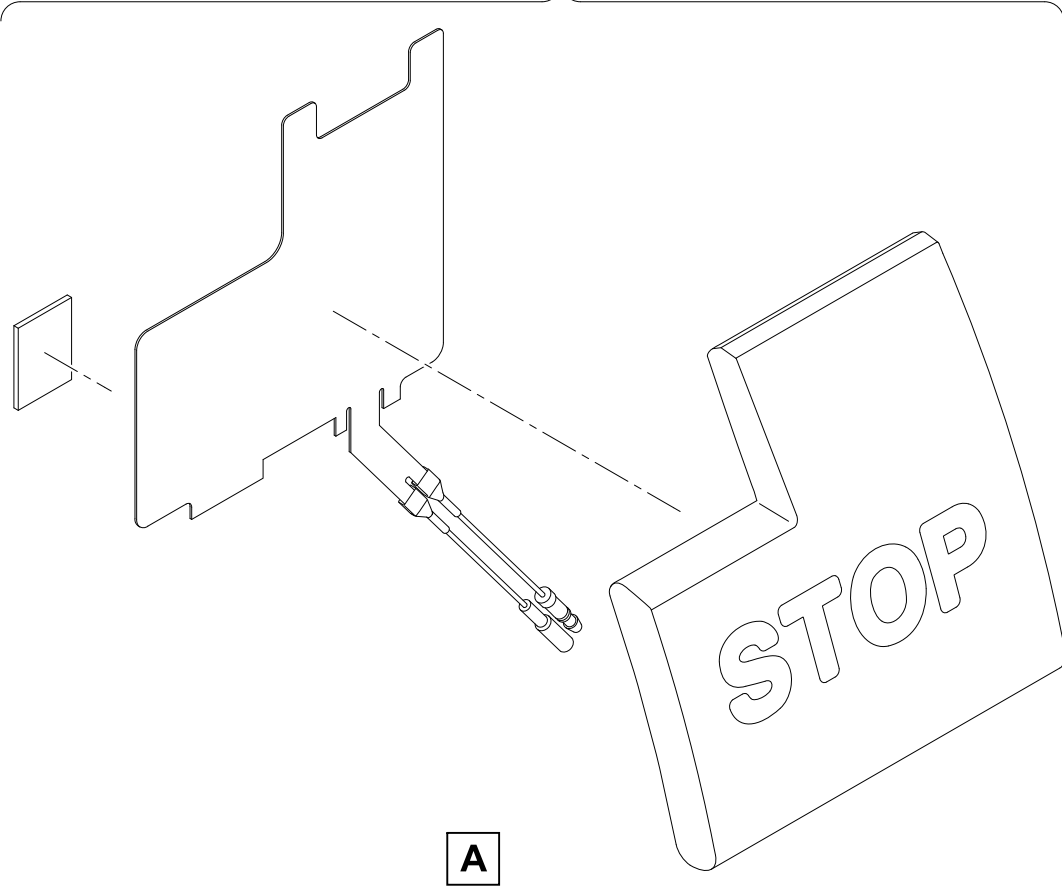
E

4

E



1



G-080099-000001

BRAKE LIGHT SWITCH KIT

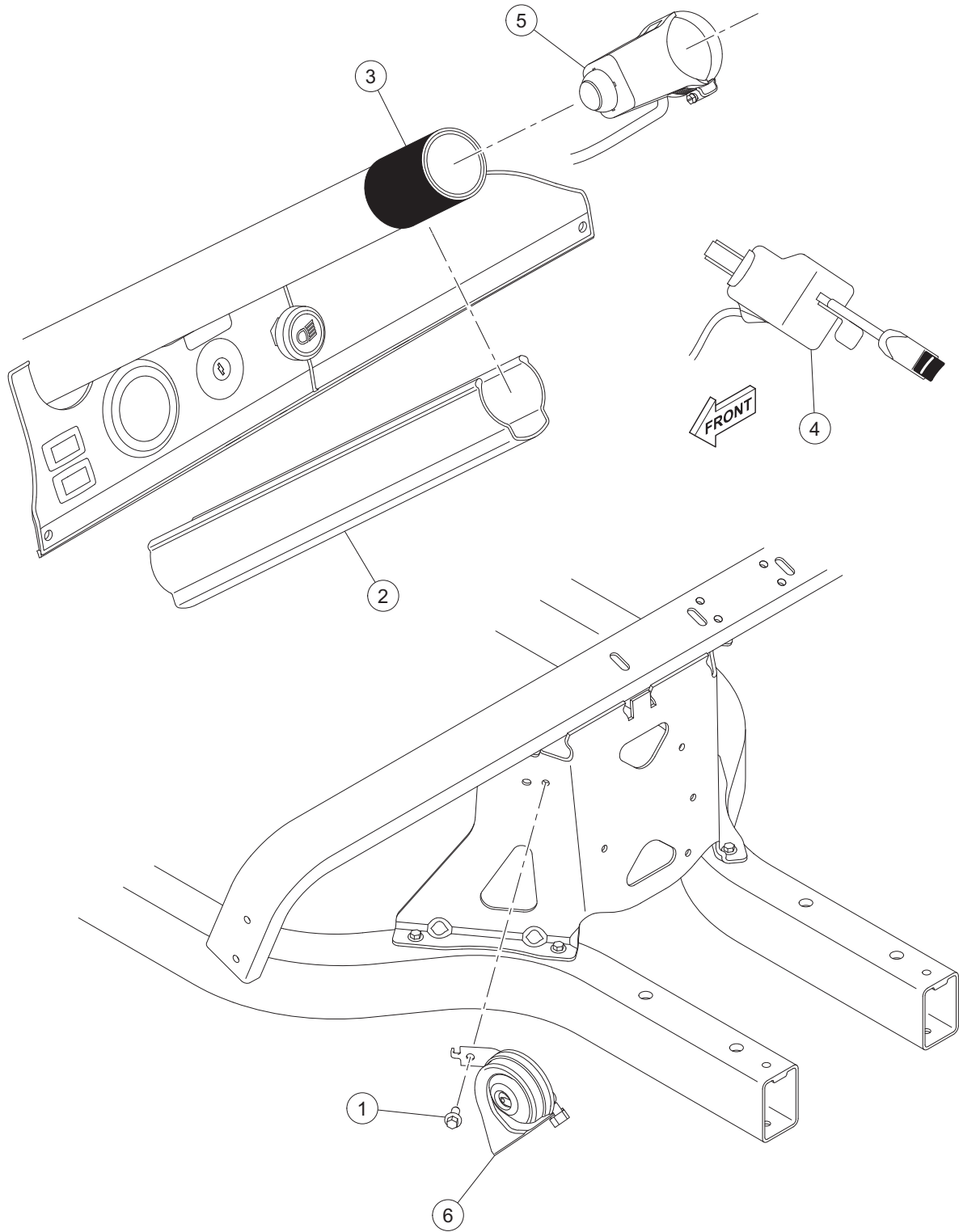
ITEM	PART NO.	DESCRIPTION	QTY
1	103597101	1 2 3 4 Kit, Brake Light Switch	1

4

E

4

E



G-130599-000010

TURN SIGNAL LEVER AND HORN

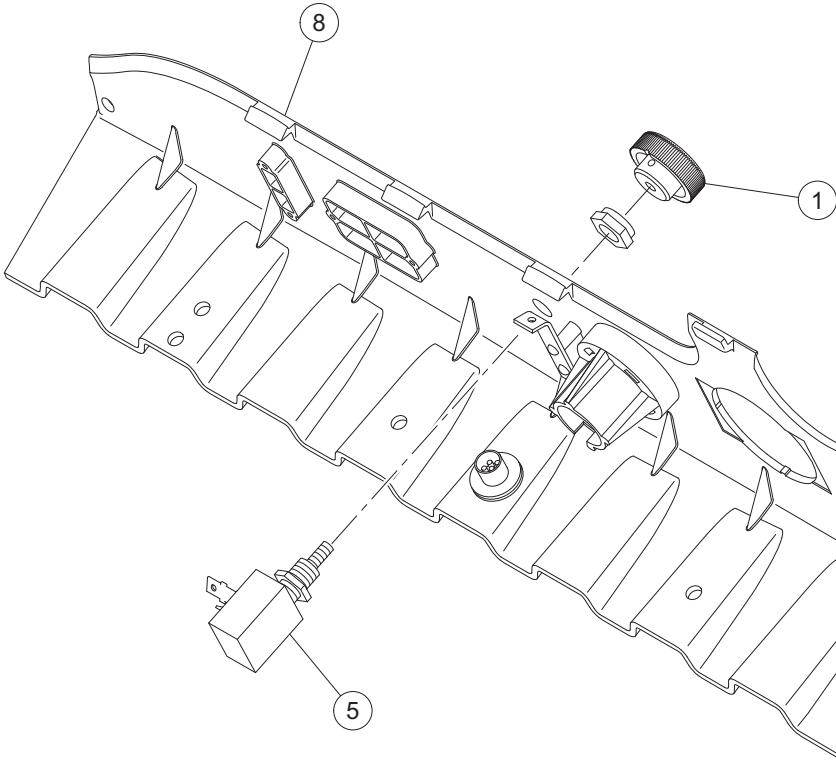
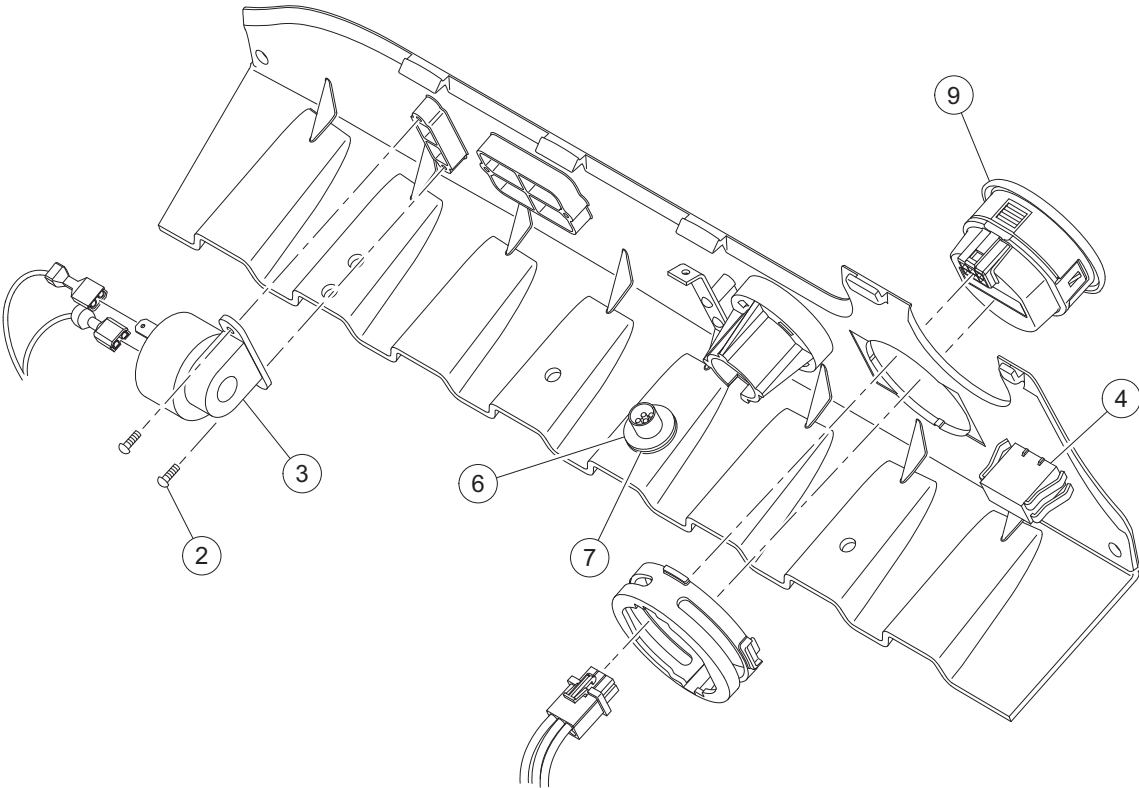
ITEM	PART NO.	DESCRIPTION	QTY
		1 2 3 4	
1	102298720	Screw, M8-1.25x20, Taptite	1
2	102529201	Wire Cover, Steering Column	1
3	103531101	Isolator, Turn Signal	1
4	103803101	Asm, Turn Signal Switch, Homol	1
5	47629428001	Horn Button, Harness, 6 Pin	1
6	47633955001	Asm, Horn, Am80sx	1

4

E

4

E



G-130599-000016

INSTRUMENT PANELS

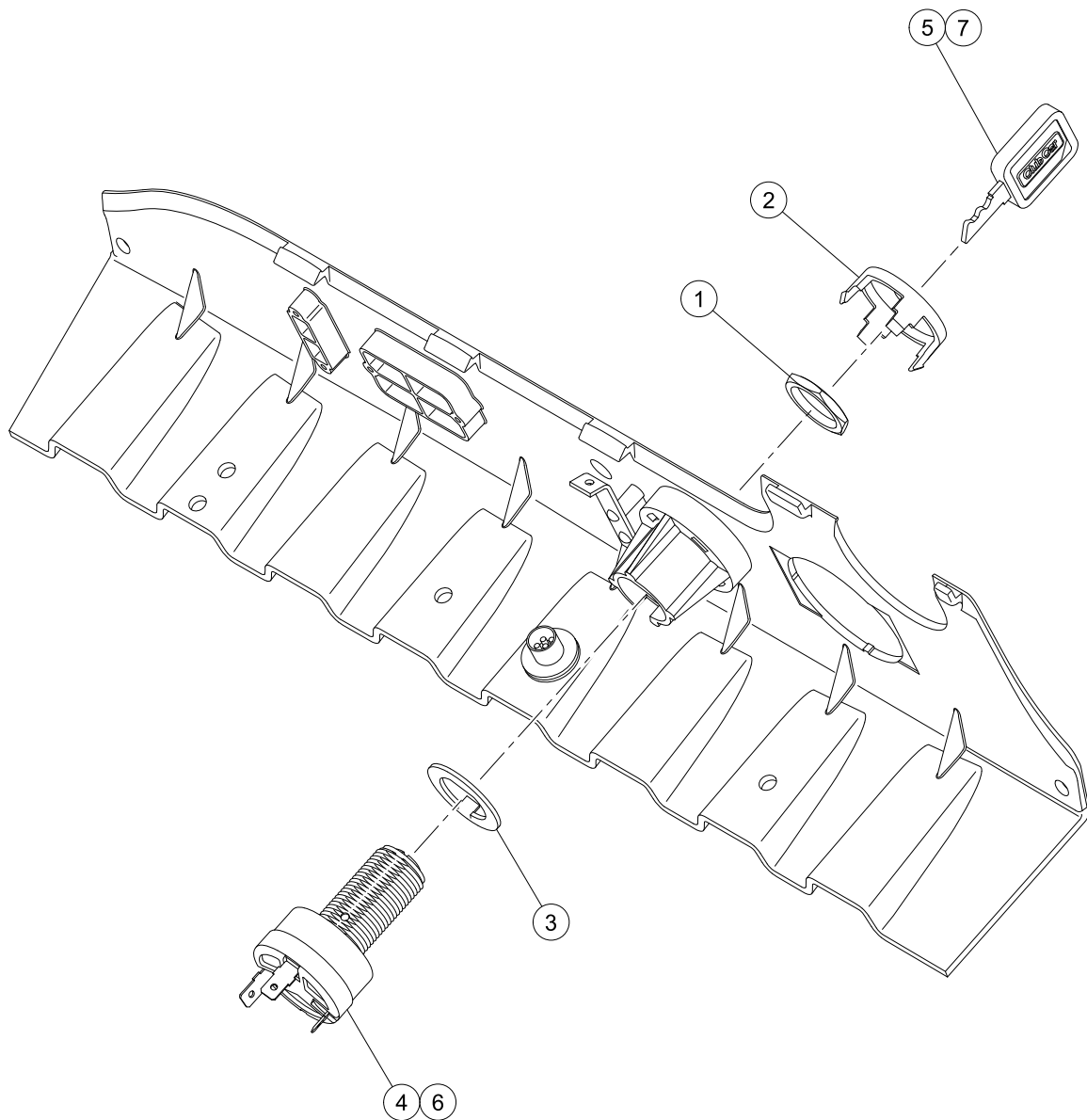
ITEM	PART NO.	DESCRIPTION	QTY
		1 2 3 4	
1	1013857	Knob, Light Switch	1
2	1016849	Screw, #4-24 X 0.33, Pan-Head, Machine	2
3	1016851	Multi-Purpose Buzzer (9-48 VDC)	1
4	101802602	Plug, Hole, Matte	1
5	102051901	Switch, Light	1
6	102196901	Dust Cap	1
7	102572401	Nut, Diagnostic Port	1
8	47613414011	Panel, Punched,can Ind Hdlt	1
9	47614736001	Gauge, Can, Model 3140	1

4

E

4

E



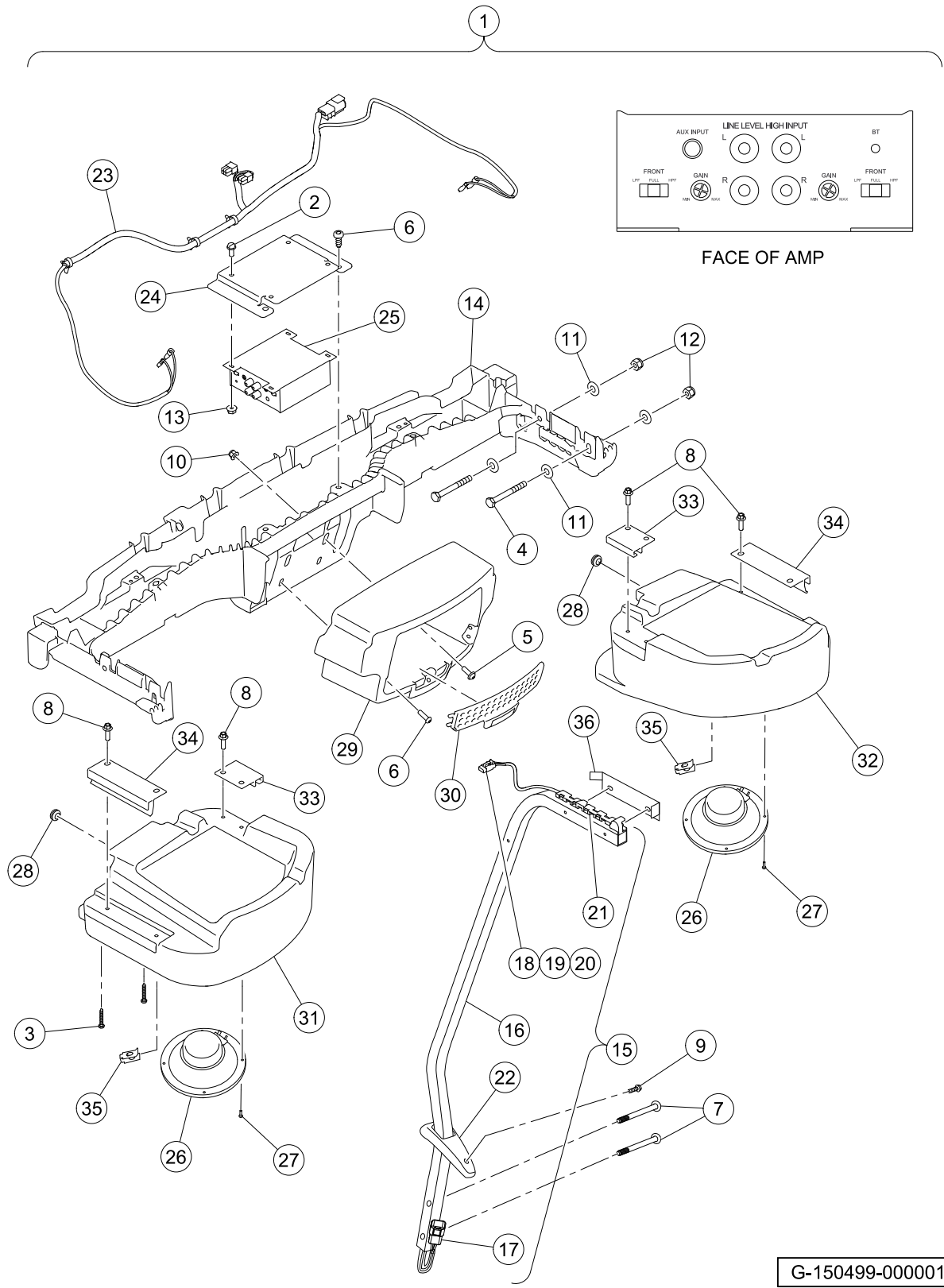
G-130499-000001

KEYSWITCHES

ITEM	PART NO.	DESCRIPTION	QTY
		1 2 3 4	
1	101830701	Nut, Key Switch	1
2	101834502	Cap, Black Key Switch	1
3	101851101	Washer, Key Switch	1
4	105082001	Keysw, Uncom, 4t, Off/p2/p3 1a (includes item 5)	1
5	105068001	Key, Uncommon, Padded 1a	1
6	105082002	Keysw, Uncom, 4t, Off/p2/p3 1b (includes item 7)	1
7	105068002	Key, Uncommon, Padded 1b	1

4

E



G-150499-000001

BLUETOOTH SOUND SYSTEM

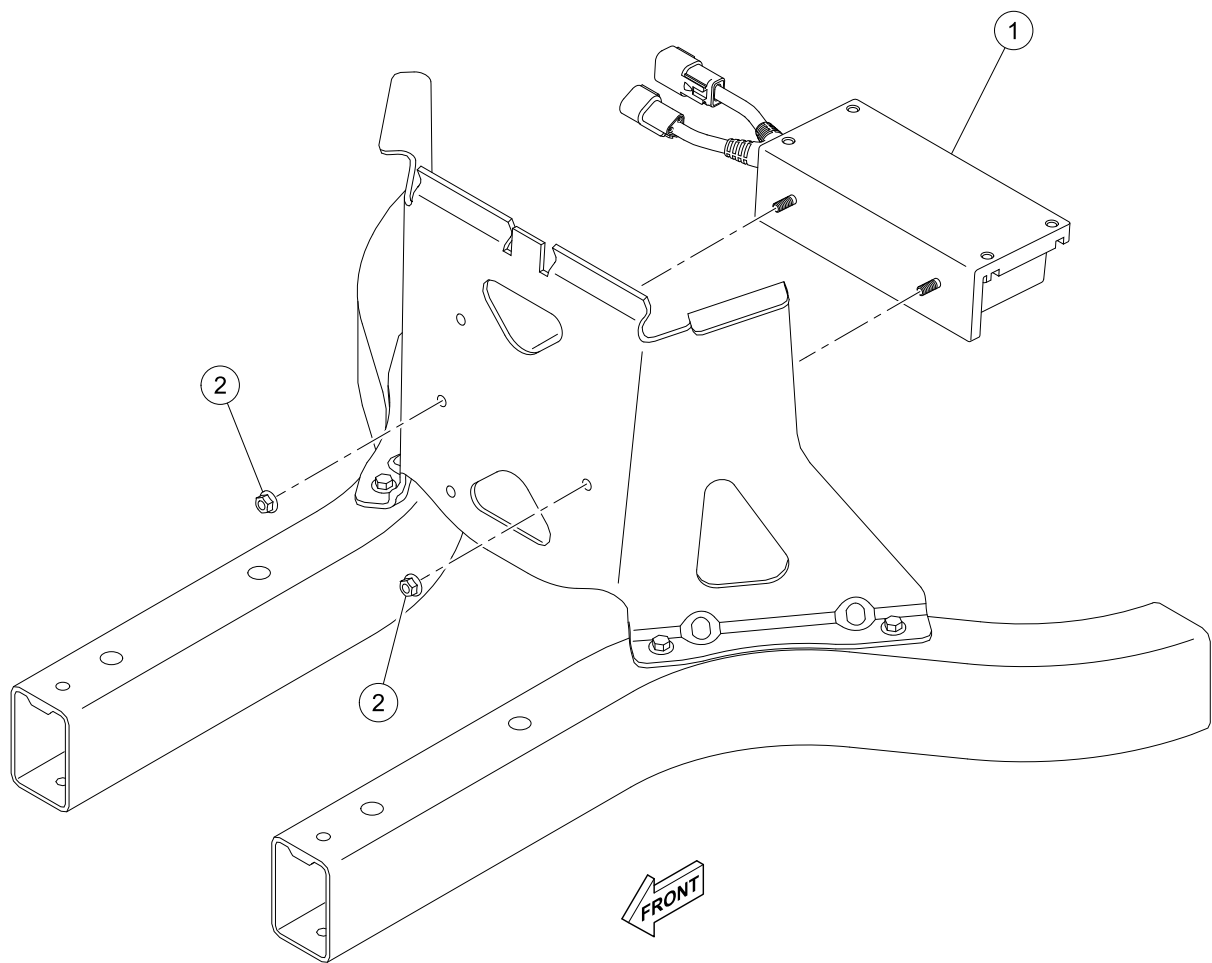
ITEM	PART NO.	DESCRIPTION	QTY
		1 2 3 4	
1	47581430001	Kit, Bt Sound System (includes items 2 through 36)	1
2	1011017	Screw, #8-32 X 0.375	4
3	102296040	Screw, Torx Pan Hd Pt, M6 X 40	4
4	102296150	Bolt - M6x1.0x50 Hex Flng Hd	4
5	102296920	Screw, M6, Torx Button Head, Sems	2
6	102298020	Screw, K80x20, Torx Pn Hd Pt	4
7	102299065	M8-1.25 X 65 Tx Bttm Hd Bolt	2
8	102541401	Bolt-m6x1.0x20 Hex Flhd Blk-l	8
9	102544201	Screw, M6 Hex	1
10	102621501	Nut, Flange, M6 X 1.0, Nylon	2
11	103196001	Washer, Conical Spring, Canopy	8
12	103200301	Nut, M6 x 1.00	4
13	105190701	Nut, Flanged, #8-32, Serrated	4
14	47559265002	Support, Display Unit, Bt	1
15	47561477002	Asm, Strut, Visage,onward, R.h (includes items 16 through 22)	1
16	103750001	Strut, Canopy Front, Passenger-side	1
17	N/A	Brkt, Tree-stud Mount, Dt/dtm	1
18	N/A	Conn, Plug, Dtm, 3 Pin, Blk	1
19	N/A	Lock, Wedge, Dtm, Plug	1
20	47554736001	Harness, Visage, Strut, G/e	1
21	47559268001	Retainer, Wire Harness	1
22	47631793002	Cover, Canopy Support, RH	1
23	47562748001	Harness, Sound Mil200bt, Csmr	1
24	47581126001	Bracket, Amp, Mil200bt	1
25	47581127001	Amp, Bluetooth, Mil200bt	1
26	47581128001	Speaker, 5.25", Blk	1
27	47581129001	Screw, 6-32 X 5/8 Torx Ph Blk	8
28	47581130001	Grommet, Sbr, .38 Id	2
29	47581131001	Storage Unit, Center, Csmr	1
30	47581132001	Closeout, Plastic, Perforated	1
31	47581133001	Enclosure, Speaker, Ds, 2p	1
32	47581133002	Enclosure, Speaker, Ps, 2p	1
33	47581134001	Extrusion, Alum, Spkr Outer	2
34	47581135001	Extrusion, Alum, Spkr Inner	2
35	47584406001	U-nut, 6-32	8
36	47589609001	Cover, Strut, Bt Sound	1

4

E

4

E



G-130299-000001

DC/DC CONVERTER – ELECTRIC VEHICLE

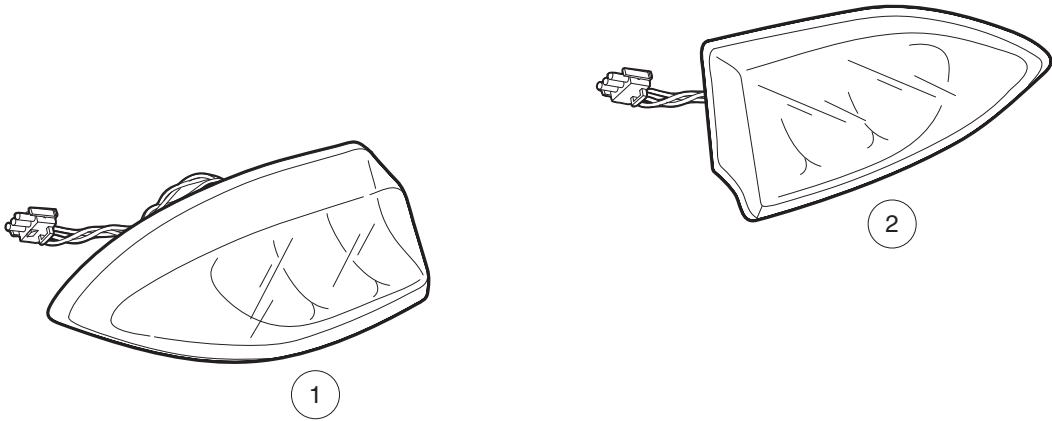
ITEM	PART NO.	DESCRIPTION	QTY
		1 2 3 4	
1	47594727001	Converter, Dc/dc	1
2	96704176	Nut, Flanged, M6 X 1, Serrated	2

4

E

4

E



001340-001

TAILLIGHTS

ITEM	PART NO.	DESCRIPTION	QTY
1	47643352001	1 2 3 4 Assembly, Taillight, LH	1
2	47643352002	Assembly, Taillight, RH	1

4

E

4

E

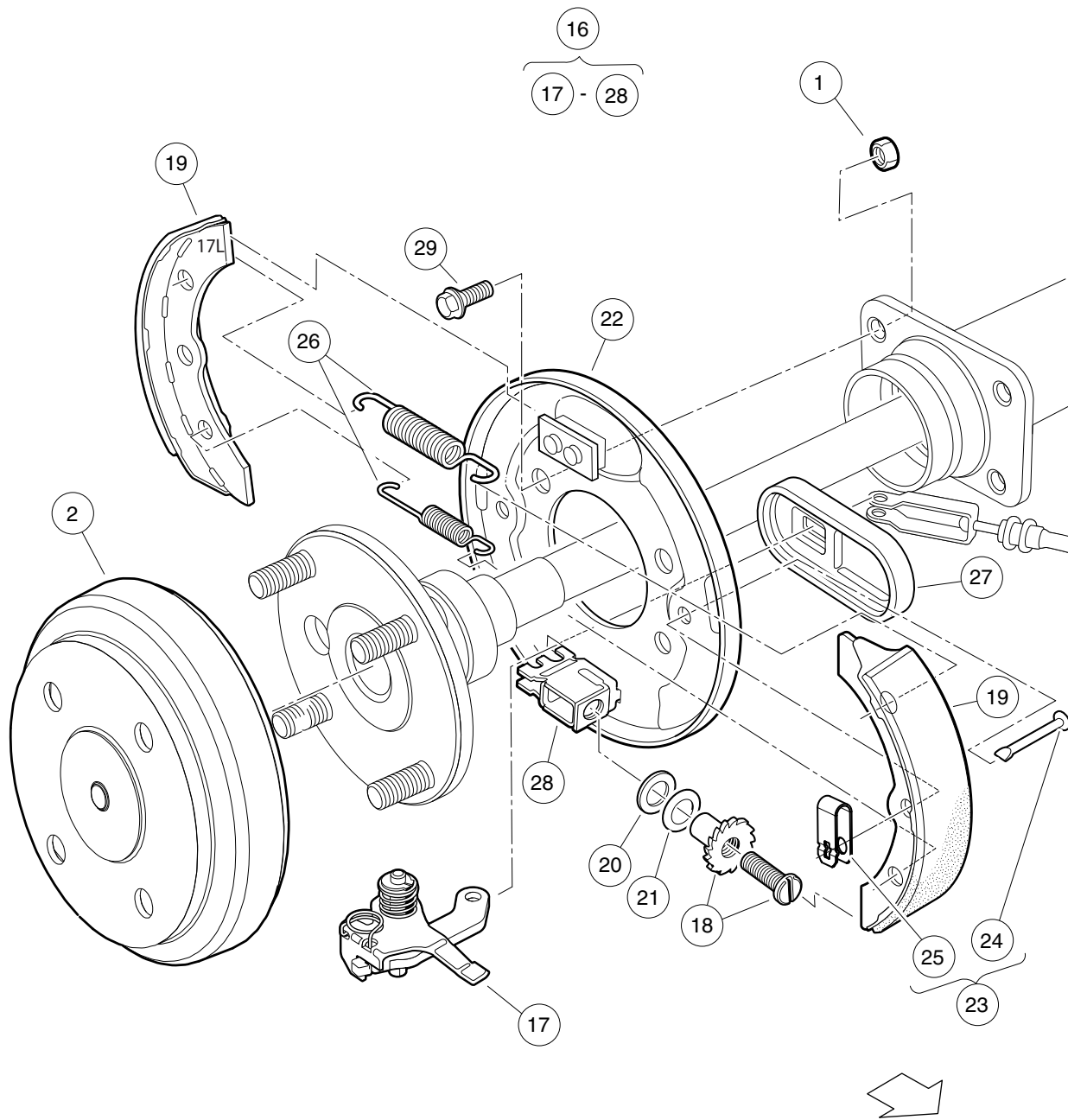
BRAKES AND PEDAL GROUP ASSEMBLIES

5

E

5

E



000186-006

REAR BRAKES, SELF-ADJUSTING

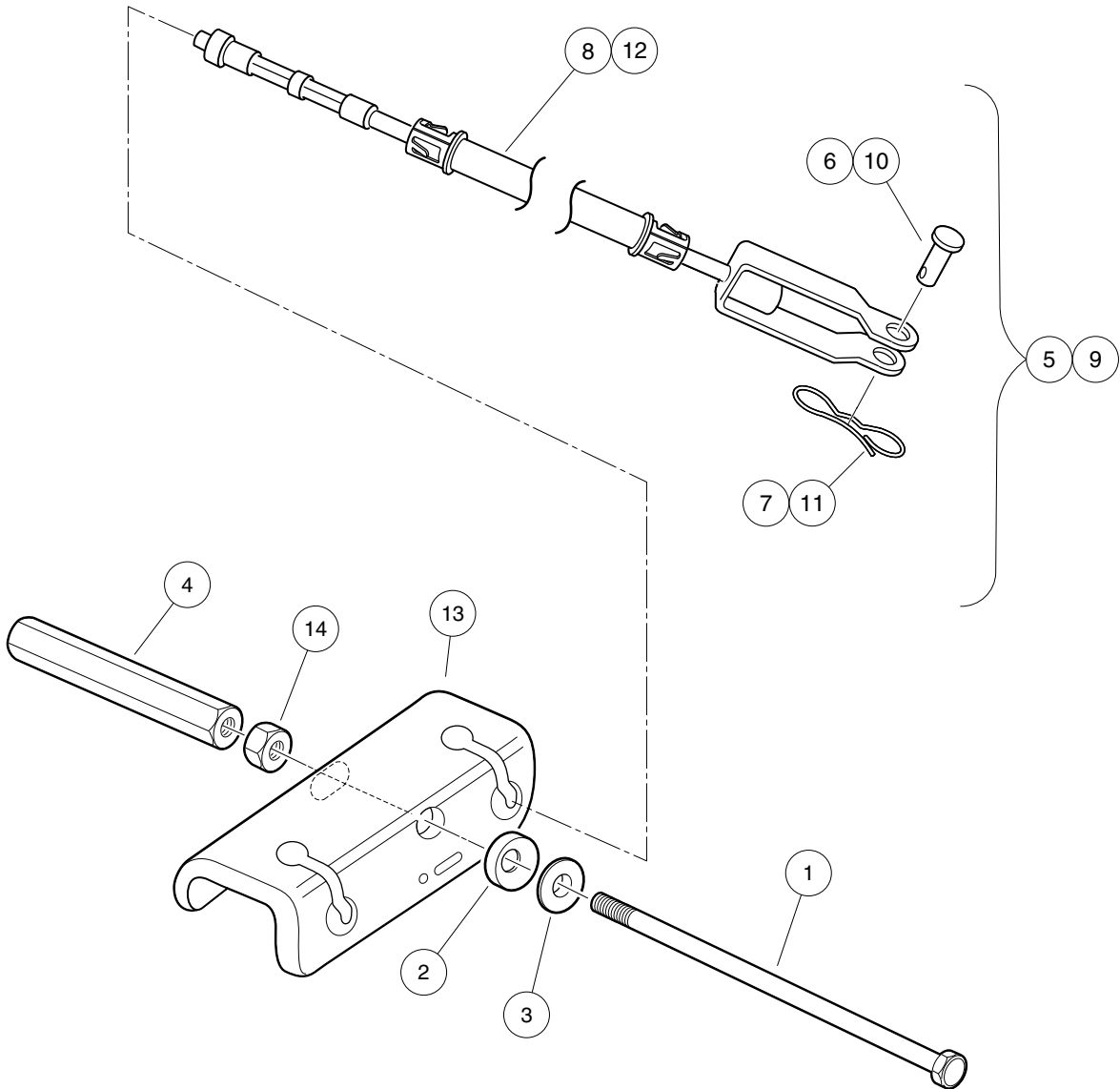
ITEM	PART NO.	DESCRIPTION	QTY
		1 2 3 4	
1	1013924	Nut, 5/16-24, Hex Head Cone	8
2	101791101	Drum without Center Hole, Brake	2
3	103380201	Asm, Brake Cluster, Mech, Drvr (includes items 4 through 15)	1
4	101815502	Lever Assembly, Self-Adjusting Brake, Left	1
5	101816502	Adjusting Mechanism, Self-Adjusting Brake, Left	1
6	101823201	Package, Brake Shoe, Self-Adjusting	1
7	101823801	Plate, Washer, Brake, Self-Adjusting	1
8	101823901	Washer, Brake, Self-Adjusting	1
9	103483102	Backing Plate, Driver-side	1
10	103483201	Kit, Shoe Retainer (includes items 11 and 12)	1
11	N/A	Pin	2
12	N/A	Spring, Shoe, Clamp	2
13	103483401	Package Brake Spring Self Adj	1
14	103483601	Cover, Dust	1
15	103483701	Brake Block	1
16	103380202	Asm, Brake Cluster, Mech, Pass (includes items 17 through 28)	1
17	101815501	Lever Assembly, Self-Adjusting Brake, Right (Passenger)	1
18	101816501	Adj Mechanism, S.A. Brakes, Right (Passenger)	1
19	101823201	Package, Brake Shoe, Self-Adjusting	1
20	101823801	Plate, Washer, Brake, Self-Adjusting	1
21	101823901	Washer, Brake, Self-Adjusting	1
22	103483101	Backing Plate, Passenger-side	1
23	103483201	Kit, Shoe Retainer (includes items 24 and 25)	1
24	N/A	Pin	2
25	N/A	Spring, Shoe, Clamp	2
26	103483401	Package Brake Spring Self Adj	1
27	103483601	Cover, Dust	1
28	103483701	Brake Block	1
29	47542195001	Bolt, Brake Cluster Mnt	8
		Note: Driver-side brake cluster items are not illustrated. Components have a similar appearance to passenger-side brake cluster.	

5

E

5

E



000467-006

BRAKE CABLES AND EQUALIZER BRACKET

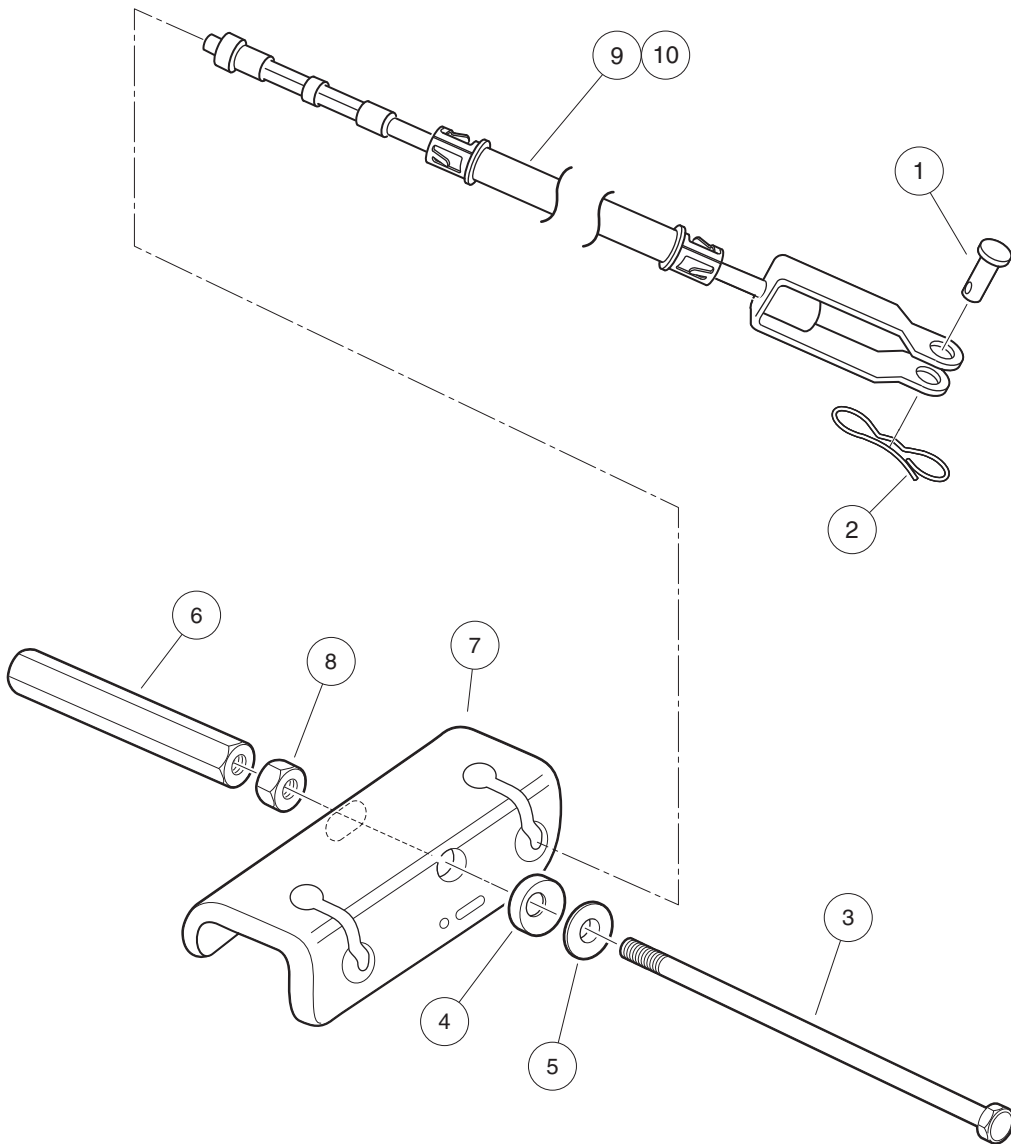
ITEM	PART NO.	DESCRIPTION	QTY
		1 2 3 4	
1	102297901	Bolt, 5/16-18 X 7.375, Hex	1
2	102551901	Washer, 5/16, Self Comp, Cup	1
3	102552001	Washer, 5/16, Self Comp, Cone	1
4	102594301	Nut, 5/16-18, Hex Adjusting -l	1
5	103528701	Kit, Brake Cable, Passenger-side (includes items 6 through 8)	1
6	1010829	Pin, Clevis, 5/16 X 3/4	1
7	102292801	Pin, Bow Tie Locking - .072	1
8	103528501	Cable, Brake, Right	1
9	103528702	Kit, Brake Cable, Driver-side (includes items 10 through 12)	1
10	1010829	Pin, Clevis, 5/16 X 3/4	1
11	102292801	Pin, Bow Tie Locking - .072	1
12	103528601	Cable, Brake, Left	1
13	103535001	Bracket, Equalizer	1
14	1242	Nut, 5/16-18 Hex	1

5

E

5

E



000467-007

BRAKE CABLES AND EQUALIZER BRACKET – LIFTED VEHICLE

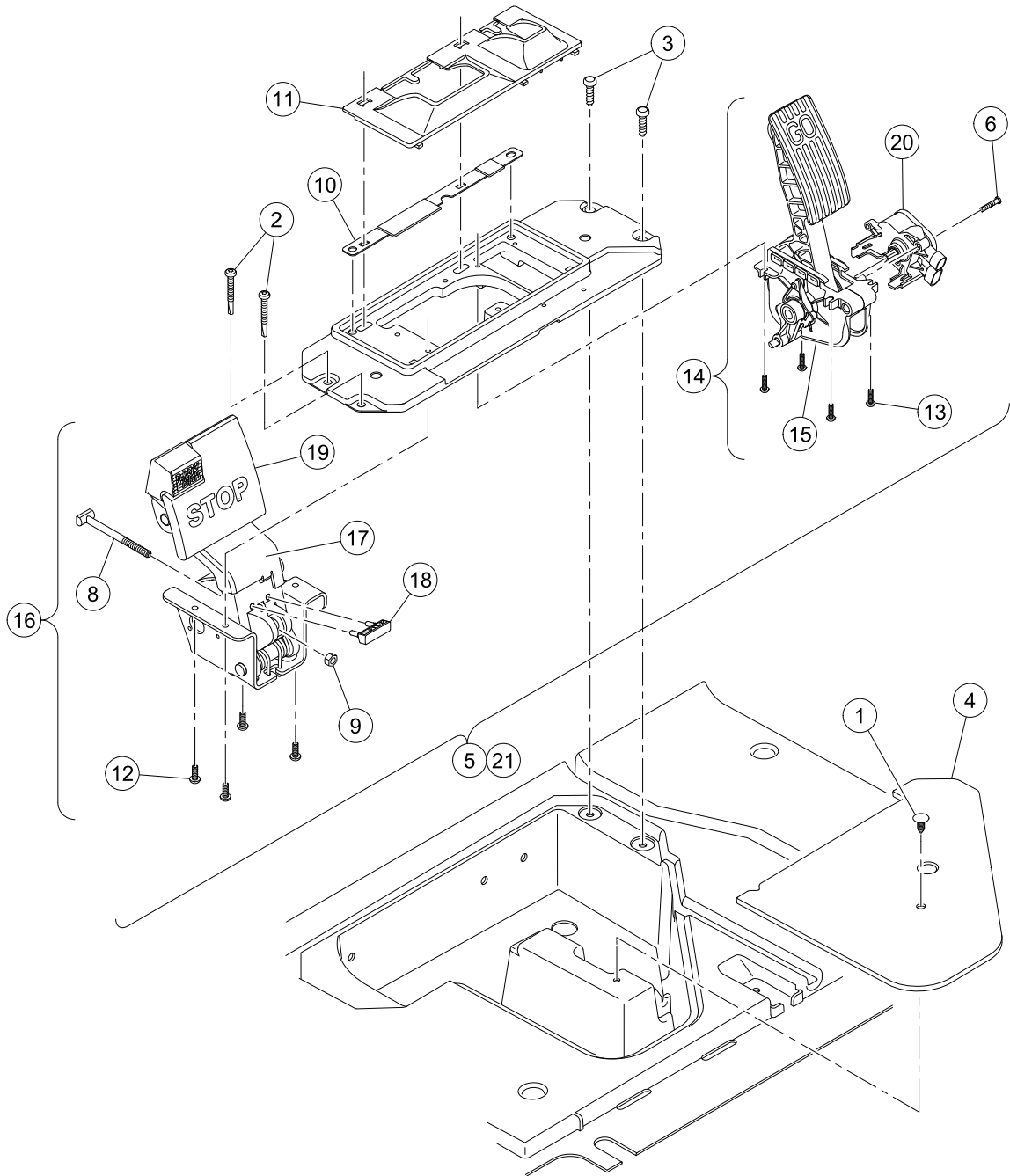
ITEM	PART NO.	DESCRIPTION	QTY
		1 2 3 4	
1	1010829	Pin, Clevis, 5/16 X 3/4	2
2	102292801	Pin, Bow Tie Locking - .072	2
3	102297901	Bolt, 5/16-18 X 7.375, Hex	1
4	102551901	Washer, 5/16, Self Comp, Cup	1
5	102552001	Washer, 5/16, Self Comp, Cone	1
6	102594301	Nut, 5/16-18, Hex Adjusting -l	1
7	103535001	Bracket, Equalizer	1
8	1242	Nut, 5/16-18 Hex	1
9	47562652001	Cable, Brake, Csmr, Lifted, Driver-side	1
10	47582091001	Cable, Brake, Csmr, Lifted, Passenger-side	1

5

E

5

E



G-131199-00002

PEDAL GROUPS WITH MCOR

ITEM	PART NO.	DESCRIPTION	QTY
		1 2 3 4	
1	1010434	Barrel - Plastic	1
2	102292201	Screw-1/4-20x2.20 Tx Pn Hd Sd	2
3	102298030	Screw, K80x30, Torx Pn Hd Pt	2
4	102500801	Plate - Floor Cover	1
5	103874111	Asm, Pedal Set, No Switch, w/MCOR, Service (includes items 6 through 20)	1
6	103943401	Screw, Pan, #10 X 1.00 Hi-lo	1
7	103975011	Asm, Pedal Set, No Switch, Service (includes items 8 through 16)	1
8	102559401	Rod, Brake	1
9	102559701	Nut, Brake Rod	1
10	102594801	Shield, Debris Aux	1
11	102594901	Shield, Debris Primary	1
12	102595901	Screw, M6x1.0x17 Ph, Taptite	4
13	102596001	Screw, M5x0.8x18 Ph, Taptite	4
14	102596301	Pedal, Accelerator, Anodized (includes item 15)	1
15	103777601	Asm, Park Brake Release, Anodized	1
16	103974901	Asm, Brake Pedal, Anodized (includes items 17 through 19)	1
17	102595201	Cover, Brake	1
18	102595301	Upstop, Brake	1
19	102595401	Pad, Brake	1
20	105116301	MCOR4, Type 16 Switch	1
21	103874112	Pedal Assy Mcor3 W/switch Sp	1
22	103975012	Pedal Set, Mech, Anod W/sw Sp	1
Note: Item 7 and 22 are not illustrated. All detail parts for the Pedal Sets are identical. Reference the Electrical Section for detailed MCOR information.			

5

E

5

E

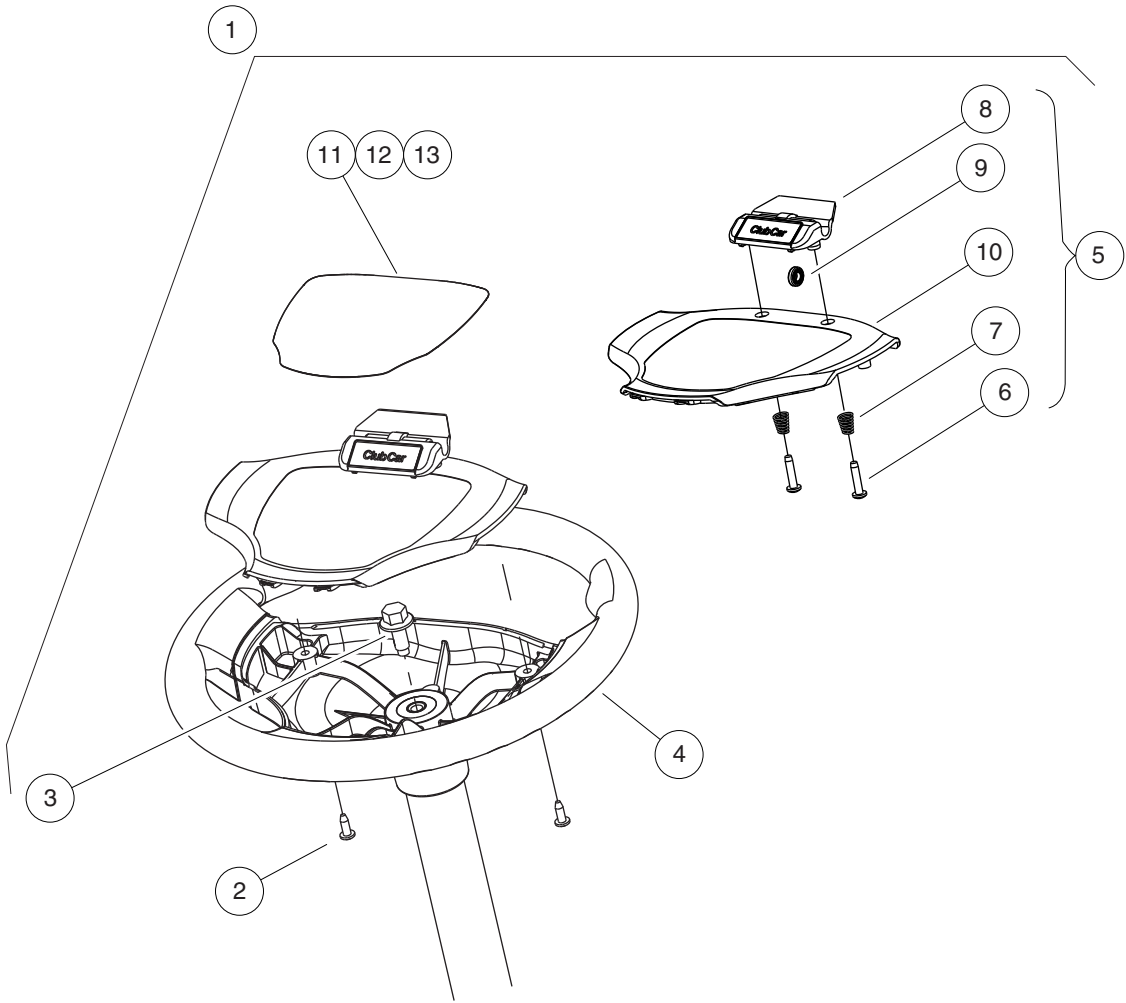
STEERING, FRONT AND REAR SUSPENSION – STANDARD HEIGHT

6

E

6

E



000470-002

STEERING WHEEL, COMFORT GRIP WITH CLIP

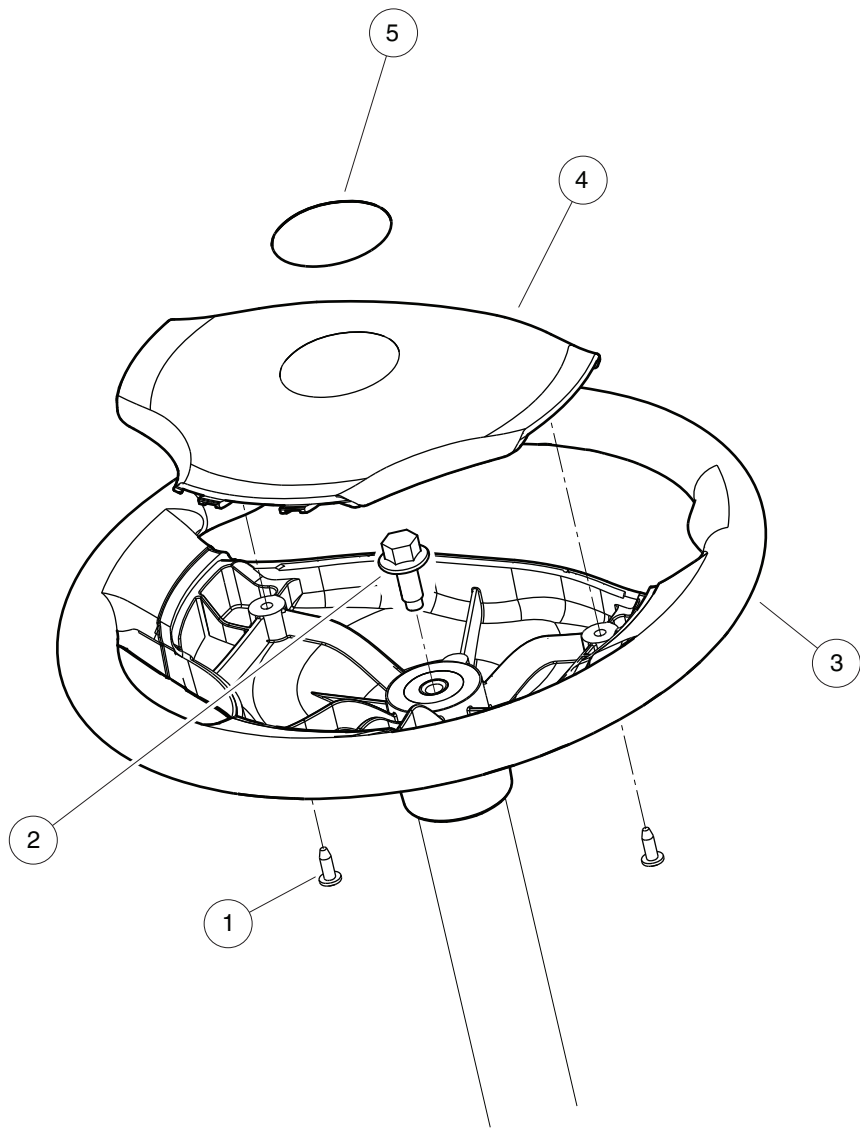
ITEM	PART NO.	DESCRIPTION	QTY
		1 2 3 4	
1	103796701	Kit, Hex, Steering Wheel (includes items 2 through 13)	1
2	101850301	Screw, #12-16 X 0.50 Washer-Head Hi-Lo	2
3	102290120	Bolt, M10 X 20 Hex Washer Hd	1
4	103724503	Steering Wheel, Soft Grip, Hex	1
5	103724901	Asm, Scorecard, Clip (includes items 6 through 10)	1
6	1012565	Screw, #12 Phillips Round Head	2
7	1012566	Tapered Compression Spring	2
8	1016154	Clip, Scorecard	1
9	1016214	Pencil Grip	1
10	103724601	Cover, Steering Wheel, Clip	1
11	103783001	Decal, Op Instr, Ele	1
12	103783002	Decal, Op Instr, Gas Ps	1
13	103783003	Decal, Op Instr, Gas Ks	1
<p>Note: Refer to the Decal section of this manual or to the applicable Operator Manual for this vehicle to make sure which Operating Instructions Decal applies.</p>			

6

E

6

E



001389-001

STEERING WHEEL, COMFORT GRIP WITH LOGO

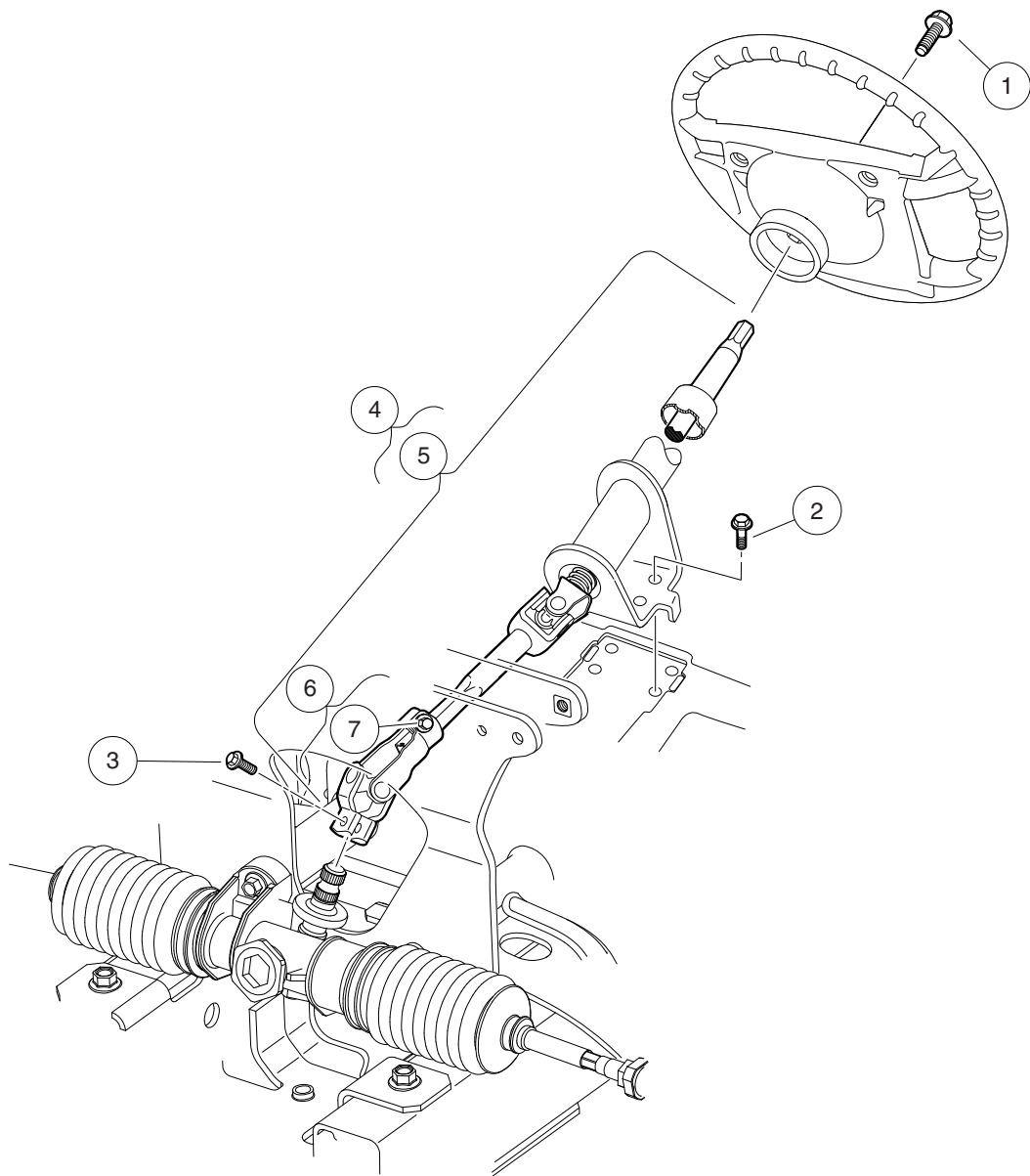
ITEM	PART NO.	DESCRIPTION	QTY
		1 2 3 4	
1	101850301	Screw, #12-16 X 0.50 Washer-Head Hi-Lo	2
2	102290120	Bolt, M10 X 20 Hex Washer Hd	1
3	103724503	Steering Wheel, Soft Grip, Hex	1
4	103724602	Cover, Steering Wheel, Generic	1
5	103829401	Logo, Cci, Steer Wheel	1

6

E

6

E



000469-007

STEERING COLUMN

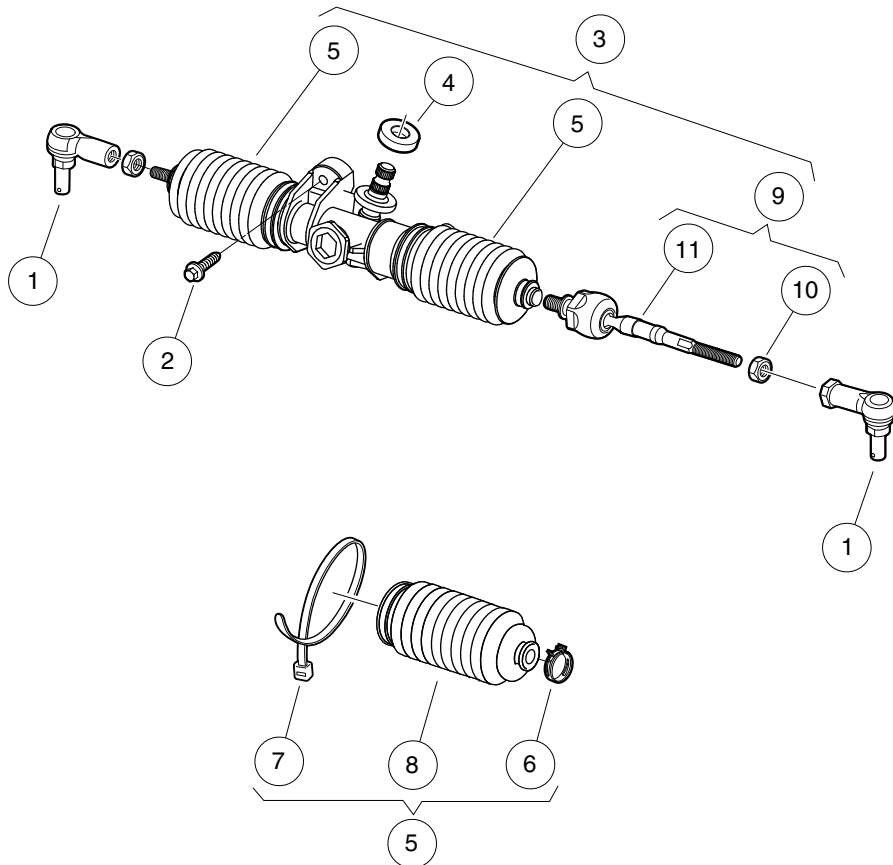
ITEM	PART NO.	DESCRIPTION	QTY
		1 2 3 4	
1	102290120	Bolt, M10 X 20 Hex Washer Hd	1
2	102298116	Bolt, Flanged Head, M8 X 16.0	4
3	102298130	Bolt, Flange Head, M8 X 30.0	1
4	105049001	Kit, Inner Steering Clmn (includes item 5)	1
5	105068601	Asm, Column, Inner (includes item 6)	1
6	103810201	Kit, Lower Yoke, Wanda (includes item 7)	1
7	102298130	Bolt, Flange Head, M8 X 30.0	1

6

E

6

E



000476-005

STEERING GEAR ASSEMBLY

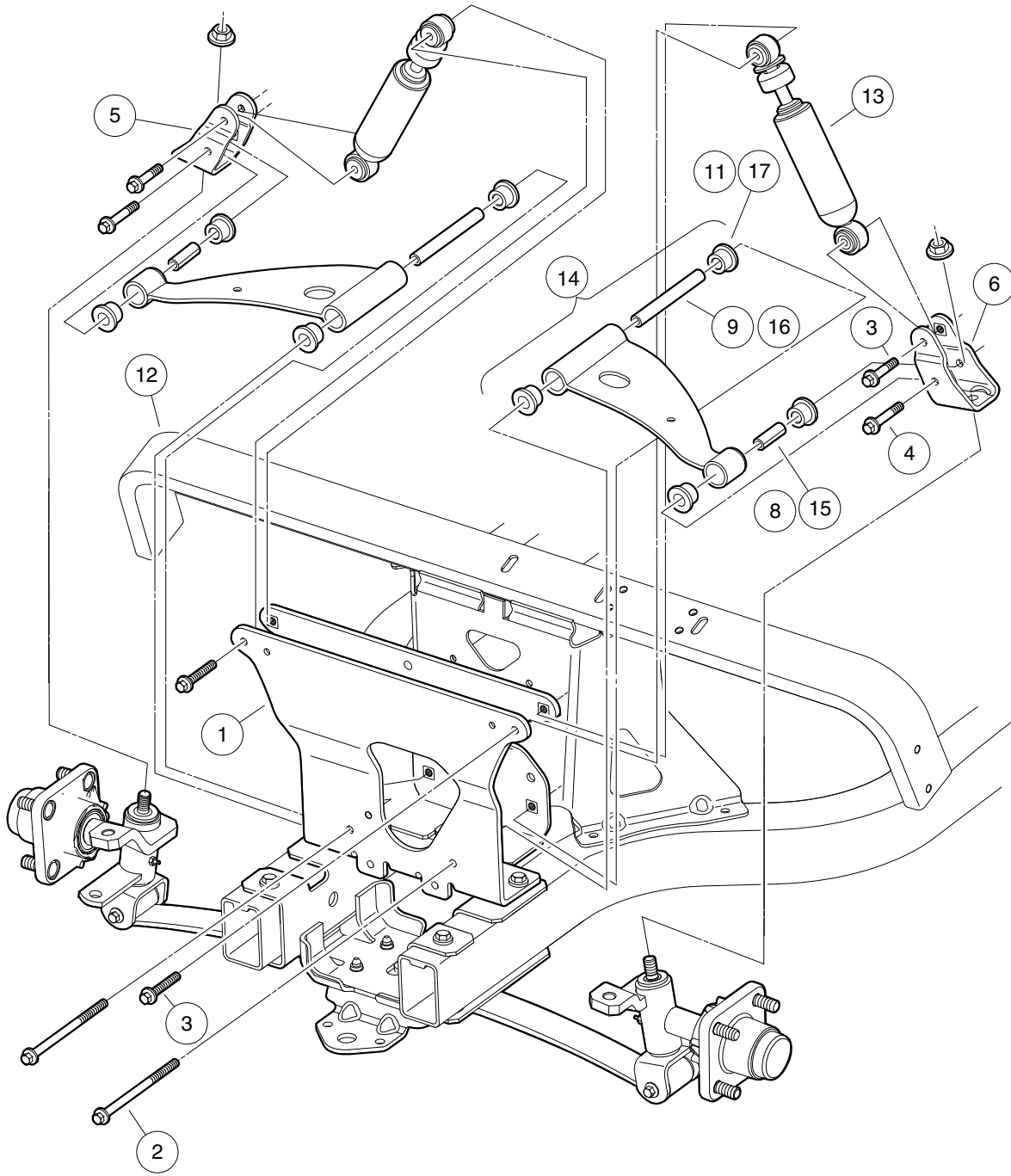
ITEM	PART NO.	DESCRIPTION	QTY
		1 2 3 4	
1	102022601	End, Tie Rod M12 X 1.25 Rh	2
2	102289001	Screw, M8X1.25X30, Hex	3
3	103679701	Asm, Rack & Pinion (includes items 4 through 9)	1
4	102565201	Seal, Dust, Steering Pinion	1
5	103826201	Bellow Kit, Steering-sona (includes items 6 through 8)	2
6	102566001	Clip, Steering	1
7	8990	Tie Wrap, 8" Nylon	1
8	N/A	Bellows	1
9	103826301	Kit, IBJ (Inner Ball Joint), Steering-sona (includes items 10 and 11)	2
10	1013042	Nut, 12mm Hex	1
11	N/A	Inner Ball Joint	1

6

E

6

E



000445-005

FRONT SUSPENSION, UPPER

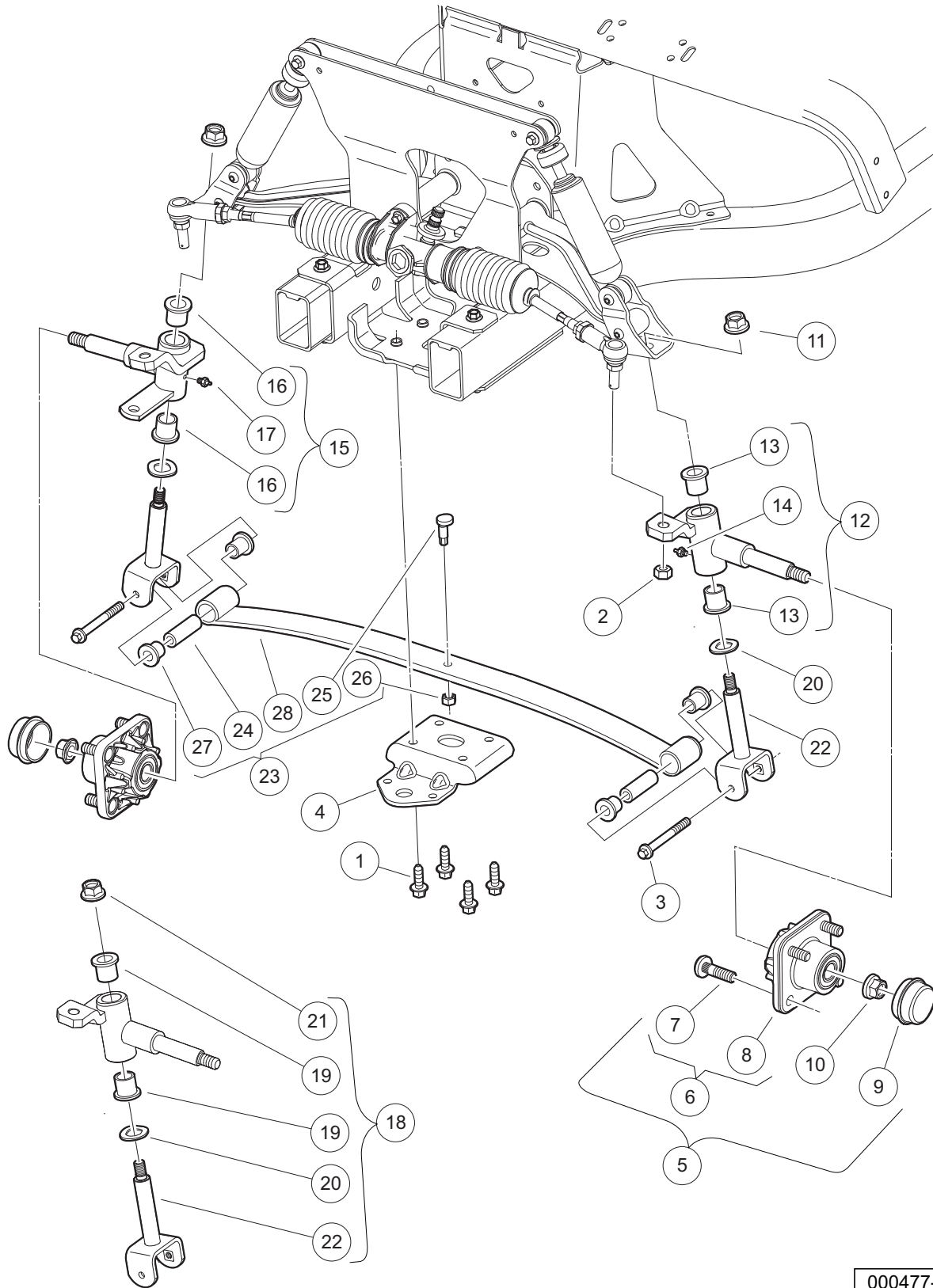
ITEM	PART NO.	DESCRIPTION	QTY
		1 2 3 4	
1	102287101	Assembly - Front Structure	1
2	102288901	Bolt, Hex, M8x1.25 X 135	2
3	102289401	Screw- Hex Cap, M8 X 1.25 X 45	4
4	102289501	Screw- Hex Cap, M8 X 1.25 X 70	2
5	102289601	Upper Clevis Assembly, Passenger-side	1
6	102289701	Upper Clevis Assembly, Driver-side	1
7	102289901	Kit, Susp, Bushing Joints (includes items 8 through 11)	1
8	102287601	Sleeve - Rolled, Outer	2
9	102287701	Sleeve - Rolled, Inner	2
10	102288101	Sleeve - Rolled, Spring	2
11	102956201	Bushing, Urethane, Short	12
12	102505701	Assembly, Dash Support	1
13	102588601	Shock Absorber Front	2
14	103388501	Asm, 3 Piece A-arm, Bushings (includes items 15 through 17)	2
15	102287601	Sleeve - Rolled, Outer	1
16	102287701	Sleeve - Rolled, Inner	1
17	102956201	Bushing, Urethane, Short	4
		<p>Note: Item 7 (not shown) includes bushings and sleeves for control arms and front suspension leaf spring. See lower suspension page for illustration of item 10 (not shown).</p>	

6

E

6

E



000477-009

FRONT SUSPENSION, LOWER

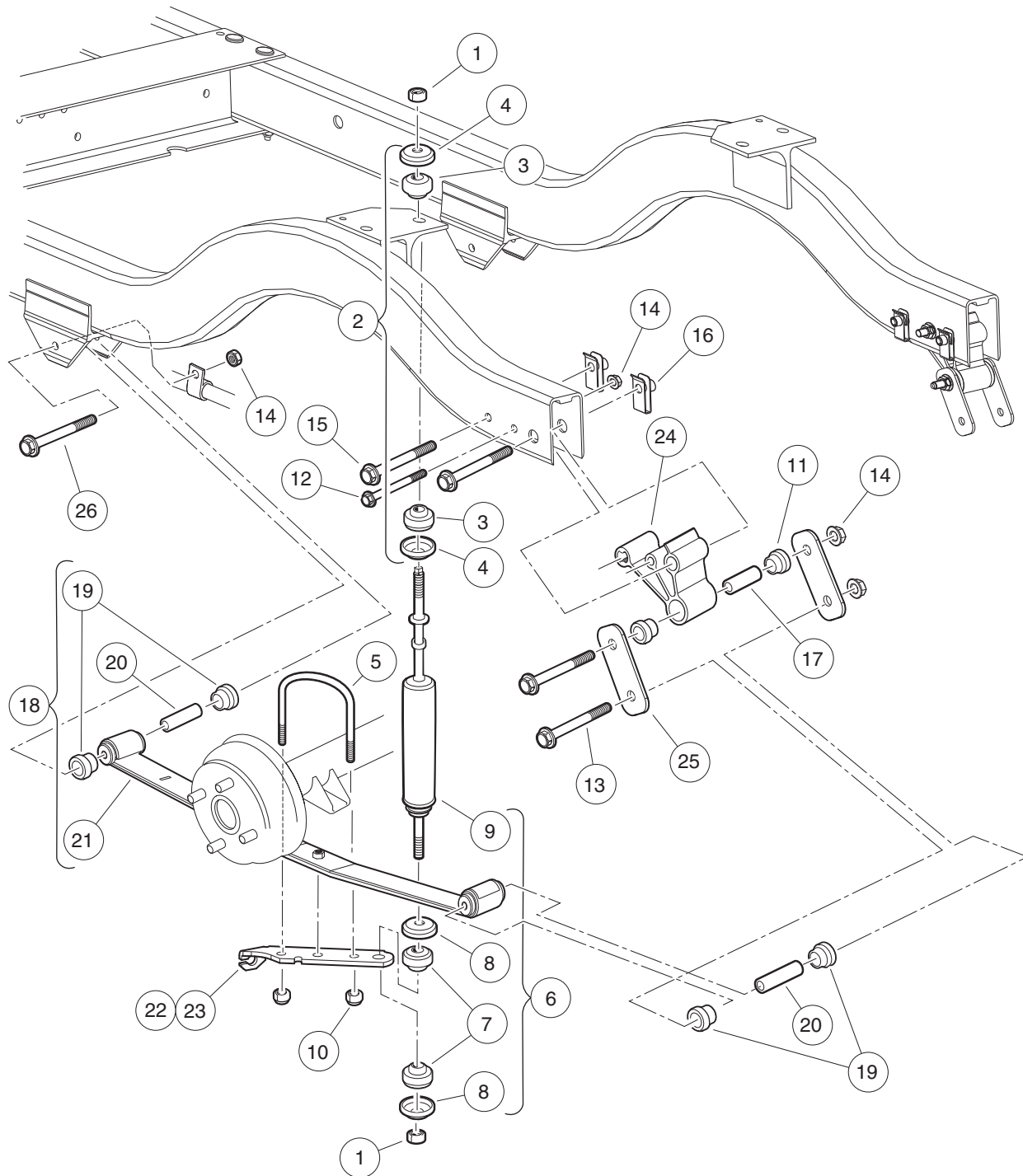
ITEM	PART NO.	DESCRIPTION	QTY
		1 2 3 4	
1	102289101	Screw-m10x1.5, Trilob, Hex Fl	4
2	102289201	Nut - Hex Locking, M12 X 1.25	2
3	102289501	Screw- Hex Cap, M8 X 1.25 X 70	2
4	102289801	Clamp - Leaf Spring	1
5	102357701	Replacement Kit, Front Hub (includes items 6 through 10)	1
6	N/A	Front Hub Assembly, Ball Bearing (includes items 7 and 8)	1
7	102353401	Lug Stud, 1/2-20 UNF, 4037 Stl	4
8	N/A	Hub, Front	1
9	102353201	Cap, Front Hub	1
10	102353301	Hex Nut, Locking Flange, M14x2	1
11	102878201	Nut, Lock,m12,washer,conical	2
12	103638701	Asm, Spindle, with Bushings, Driver-side (includes items 13 and 14)	1
13	102288201	Bushing - Flanged	2
14	N/A	Fitting, Grease, Knuckle Spindle Asym	1
15	103638702	Asm, Spindle, with Bushings, Passenger-side (includes items 16 and 17)	1
16	102288201	Bushing - Flanged	2
17	N/A	Fitting, Grease, Knuckle Spindle Asym	1
18	103638801	Kit, King Pin Joints (includes items 19 through 22)	1
19	102288201	Bushing - Flanged	4
20	102288401	Wave Washer - Kingpin	2
21	102878201	Nut, Lock,m12,washer,conical	2
22	103638601	Asm, King Pin, M12	2
23	103935601	Asm, Spring, Leaf, Front, 50.4 (includes items 24 through 28)	1
24	102288101	Sleeve - Rolled, Spring	2
25	102288701	Eccentric Bolt	1
26	102288801	Nut-hex, 3/8-16	1
27	102956201	Bushing, Urethane, Short	2
28	105187901	Spring, Leaf, Front, 50.4	1

6

E

6

E



000446-005

REAR SUSPENSION, ELECTRIC VEHICLE

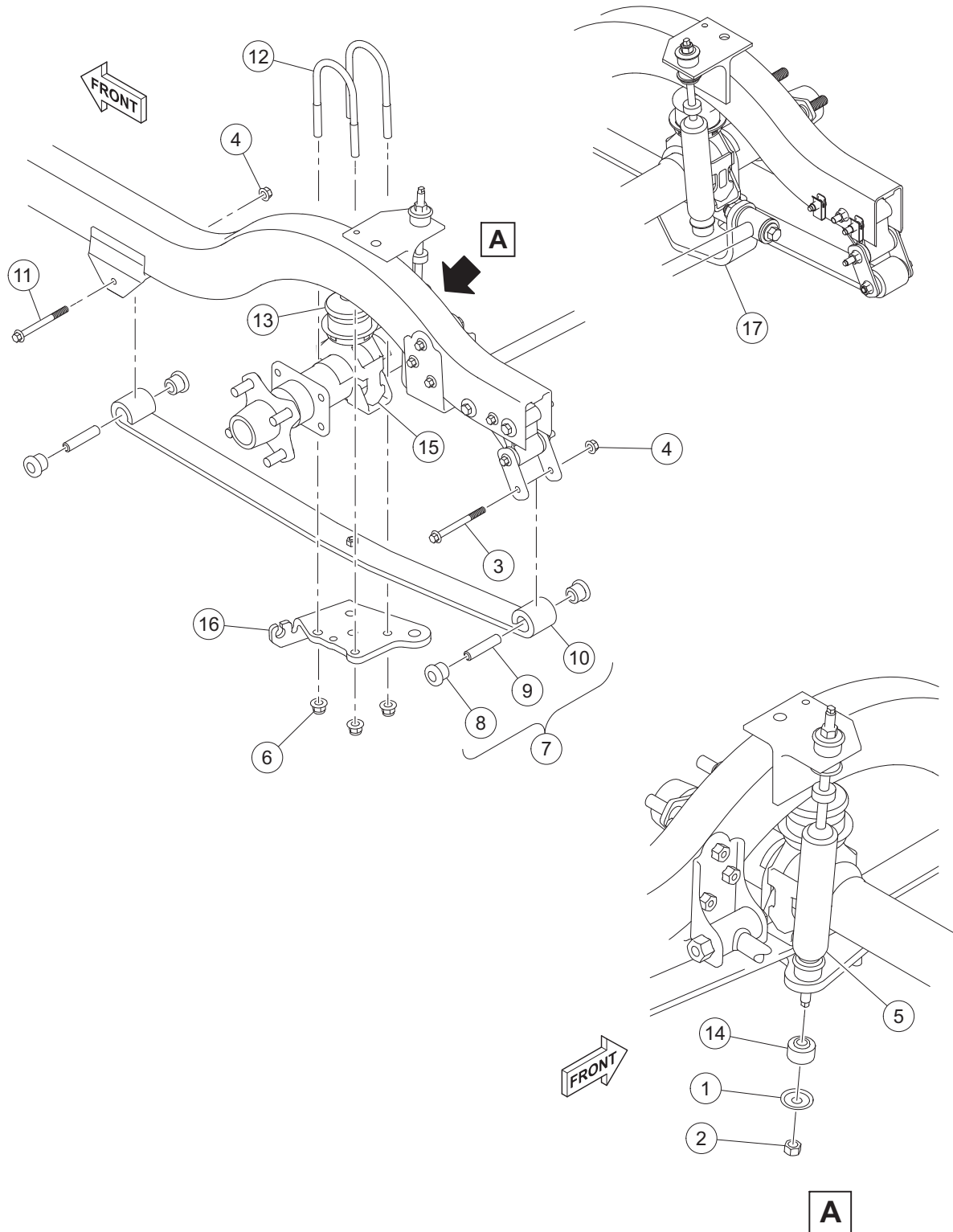
ITEM	PART NO.	DESCRIPTION	QTY
		1 2 3 4	
1	1010145	Nut, 3/8-24 Hex	4
2	1011415	Kit, Shock Absorber Cushion (includes items 3 and 4)	2
3	N/A	Retainer, Shock Absorber Cushion	2
4	47579096001	Isolator, Shock Damper	2
5	1012180	U-Bolt	2
6	1013164	Shock Absorber Kit (includes items 7 through 9)	1
7	N/A	Cushion, Shock Absorber	8
8	N/A	Retainer, Shock Absorber Cushion	8
9	102588501	Shock Absorber, Rear	2
10	1014555	Locknut, 7/16-14 Nylon Hex	4
11	1015583	Bushing, Urethane	4
12	102298170	Bolt - Flange Hd, M8 X 70.0	2
13	102298175	Bolt - Flange Hd, M8 X 75.0	2
14	102298401	Nut,m8,all Metal Lock	8
15	102298580	M8-1.25 X 80 Sems	4
16	102298601	J-clip - M8 X 1.25	4
17	102506401	Sleeve - Spring Eye Mounts	2
18	103742304	Asm, Rear Leaf Spring, Std (includes items 19 through 21)	2
19	101558302	Bushing, Urethane, Soft	4
20	102506401	Sleeve - Spring Eye Mounts	2
21	N/A	Leaf Spring, Rear, Std	1
22	103921601	Bracket, Shock Mounting, Drv	1
23	103921602	Bracket, Shock Mounting, Pas	1
24	103964901	Spacer, Rail, Shackle	2
25	103965001	Brkt, Shackle, Rear	4
26	105188185	Bolt, M8 X 85mm, 10.9 Grade	4

6

E

6

E



G-030199-000002

REAR SUSPENSION, 4-PASSENGER – CONSUMER

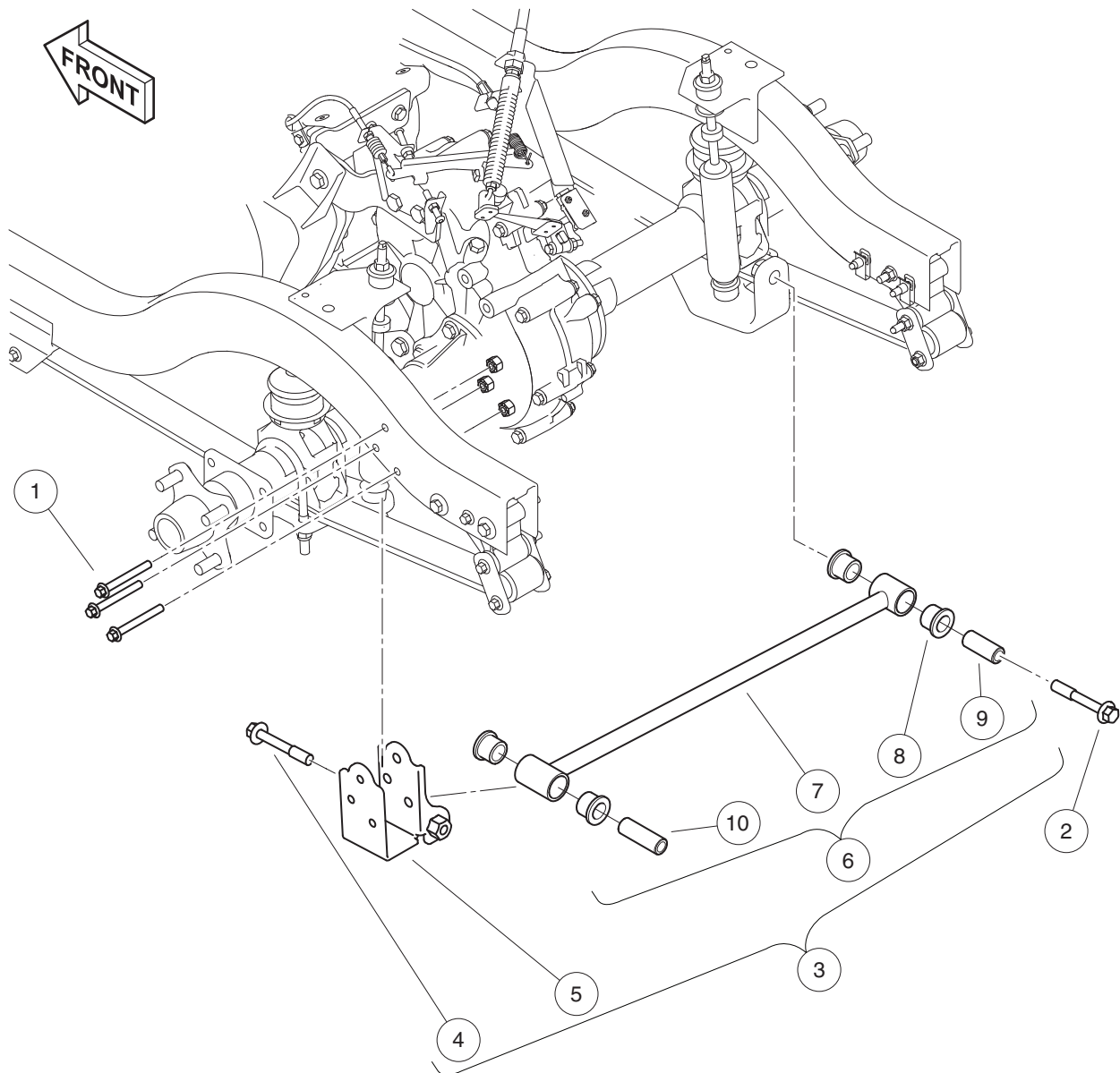
ITEM	PART NO.	DESCRIPTION	QTY
		1 2 3 4	
1	N/A	Retainer, Shock Absorber Cushion	8
2	1010145	Nut, 3/8-24 Hex	4
3	102298175	Bolt - Flange Hd, M8 X 75.0	2
4	102298401	Nut,m8,all Metal Lock	4
5	102588501	Shock Absorber, Rear	2
6	102670701	Nut, Flange, M10 X 1.5 Nylon	8
7	103742304	Asm, Rear Leaf Spring, Std (includes items 8 through 10)	2
8	101558302	Bushing, Urethane, Soft	4
9	102506401	Sleeve - Spring Eye Mounts	2
10	N/A	Leaf Spring, Rear, Std	1
11	105188185	Bolt, M8 X 85mm, 10.9 Grade	2
12	105188701	U-bolt, M10x1.5x58	4
13	47576196001	Bumper, Jounce, D-255828	2
14	47579096001	Isolator, Shock Damper	8
15	47583666001	Bracket, Perch, Bumper, Jounce	2
16	47599907001	Bkt, U-bolt, 3-1, Lh	1
17	47599908001	Bkt, U-bolt, 4-1, Rh	1

6

E

6

E



001392-001

PANHARD ROD

ITEM	PART NO.	DESCRIPTION	QTY
		1 2 3 4	
1	102298170	Bolt - Flange Hd, M8 X 70.0	3
2	103146501	Bolt, Flg, M12 X 1.75 X 80	1
3	47577865001	Assy, Panhard and Frame Rail Bracket (includes items 4 through 6)	1
4	103146501	Bolt, Flg, M12 X 1.75 X 80	1
5	47576649001	Bkt, Frame Rail, Panhard	1
6	47577864001	Asm, Rod, Panhard (includes items 7 through 10)	1
7	47576650001	Assy, Weldment, Panhard	1
8	47576651001	Bushing, Slip, 3390000-160802	4
9	47576652001	Sleeve, Bushing, Panhard, Short	1
10	47576652002	Sleeve, Bushing, Panhard, Long	1

6

E

6

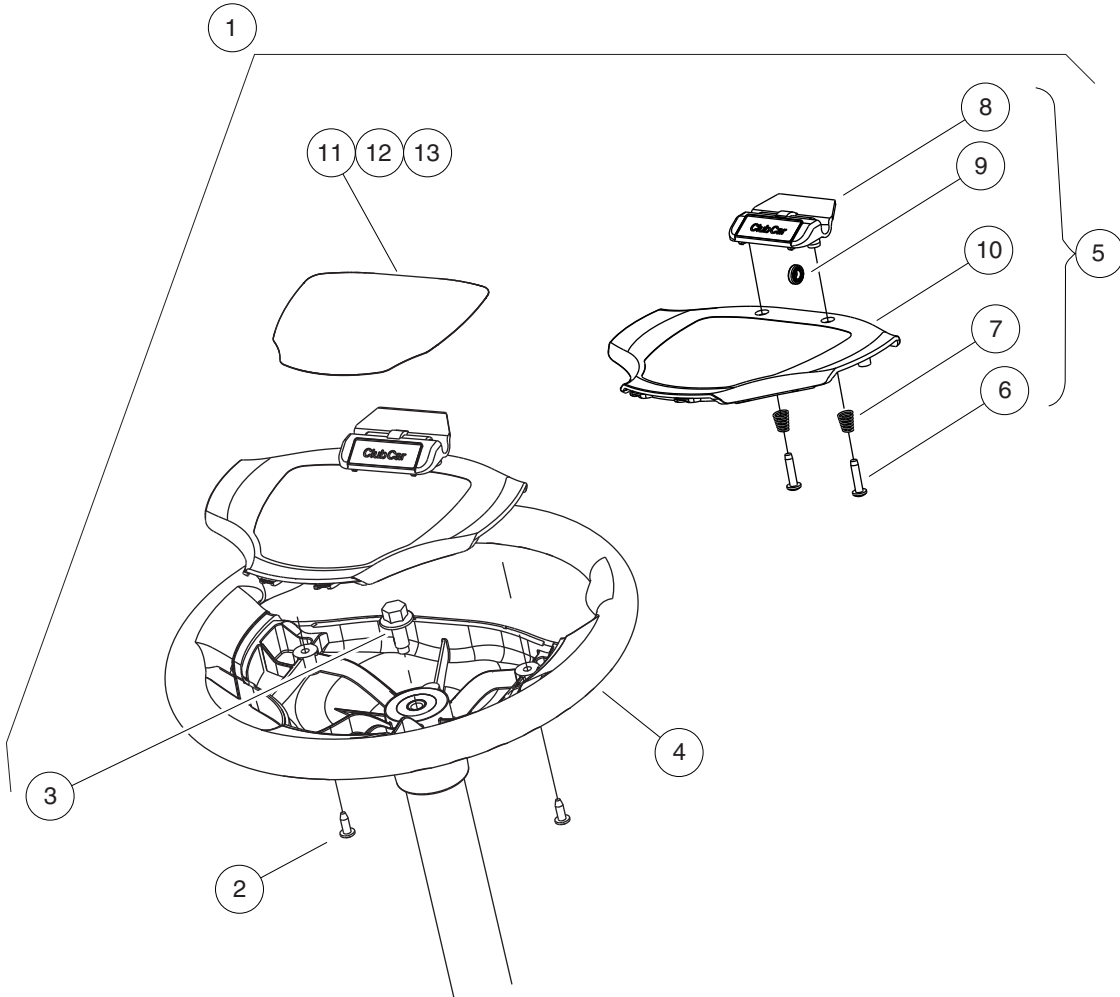
E

STEERING, FRONT AND REAR SUSPENSION – LIFTED

7

G

E

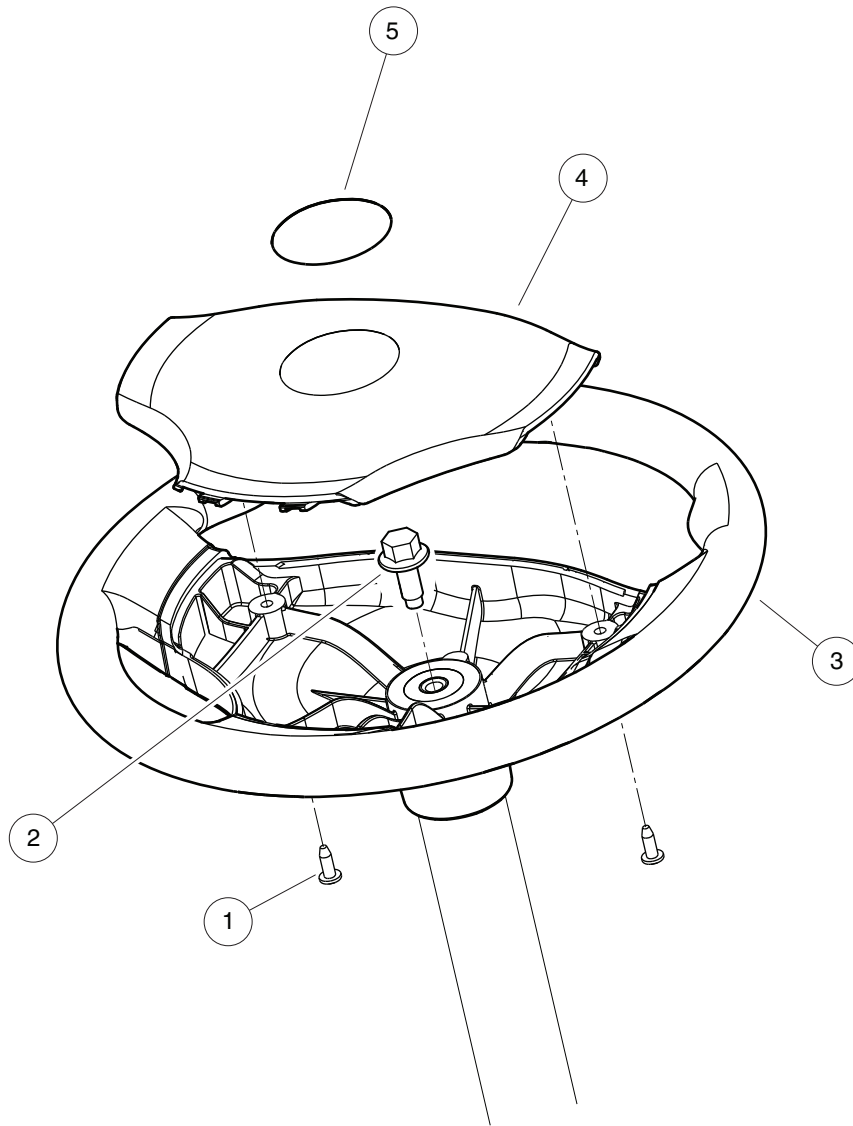


000470-002

STEERING WHEEL, COMFORT GRIP WITH CLIP

ITEM	PART NO.	DESCRIPTION	QTY
		1 2 3 4	
1	103796701	Kit, Hex, Steering Wheel (includes items 2 through 13)	1
2	101850301	Screw, #12-16 X 0.50 Washer-Head Hi-Lo	2
3	102290120	Bolt, M10 X 20 Hex Washer Hd	1
4	103724503	Steering Wheel, Soft Grip, Hex	1
5	103724901	Asm, Scorecard, Clip (includes items 6 through 10)	1
6	1012565	Screw, #12 Phillips Round Head	2
7	1012566	Tapered Compression Spring	2
8	1016154	Clip, Scorecard	1
9	1016214	Pencil Grip	1
10	103724601	Cover, Steering Wheel, Clip	1
11	103783001	Decal, Op Instr, Ele	1
12	103783002	Decal, Op Instr, Gas Ps	1
13	103783003	Decal, Op Instr, Gas Ks	1
<p>Note: Refer to the Decal section of this manual or to the applicable Operator Manual for this vehicle to make sure which Operating Instructions Decal applies.</p>			

7
G
E

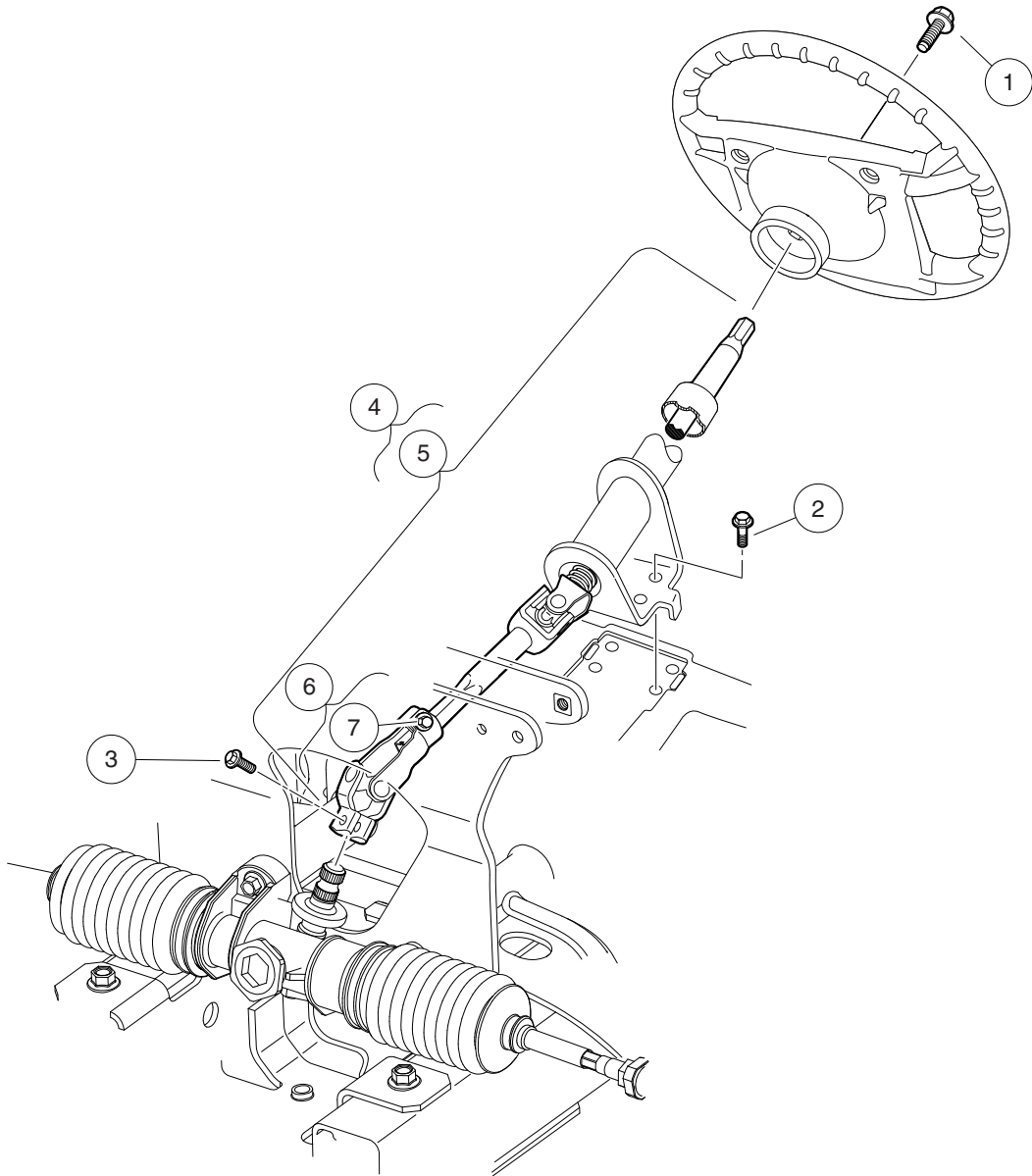


001389-001

STEERING WHEEL, COMFORT GRIP WITH LOGO

ITEM	PART NO.	DESCRIPTION	QTY
		1 2 3 4	
1	101850301	Screw, #12-16 X 0.50 Washer-Head Hi-Lo	2
2	102290120	Bolt, M10 X 20 Hex Washer Hd	1
3	103724503	Steering Wheel, Soft Grip, Hex	1
4	103724602	Cover, Steering Wheel, Generic	1
5	103829401	Logo, Cci, Steer Wheel	1

7
G
E

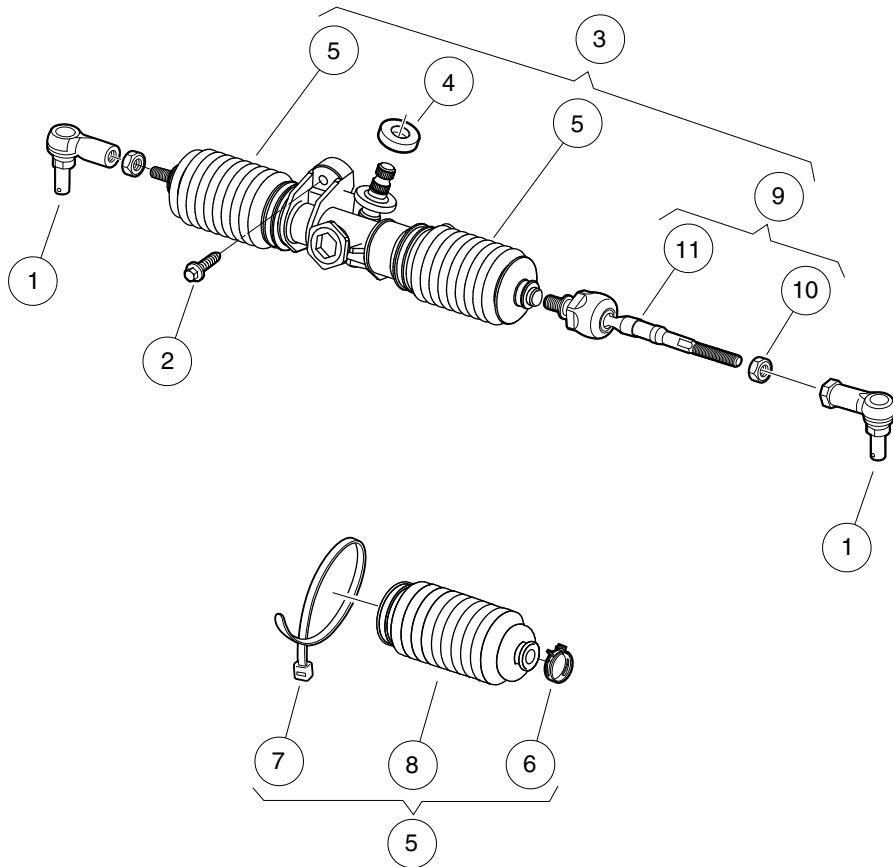


000469-007

STEERING COLUMN

ITEM	PART NO.	DESCRIPTION	QTY
		1 2 3 4	
1	102290120	Bolt, M10 X 20 Hex Washer Hd	1
2	102298116	Bolt, Flanged Head, M8 X 16.0	4
3	102298130	Bolt, Flange Head, M8 X 30.0	1
4	105049001	Kit, Inner Steering Clmn (includes item 5)	1
5	105068601	Asm, Column, Inner (includes item 6)	1
6	103810201	Kit, Lower Yoke, Wanda (includes item 7)	1
7	102298130	Bolt, Flange Head, M8 X 30.0	1

7
G
E



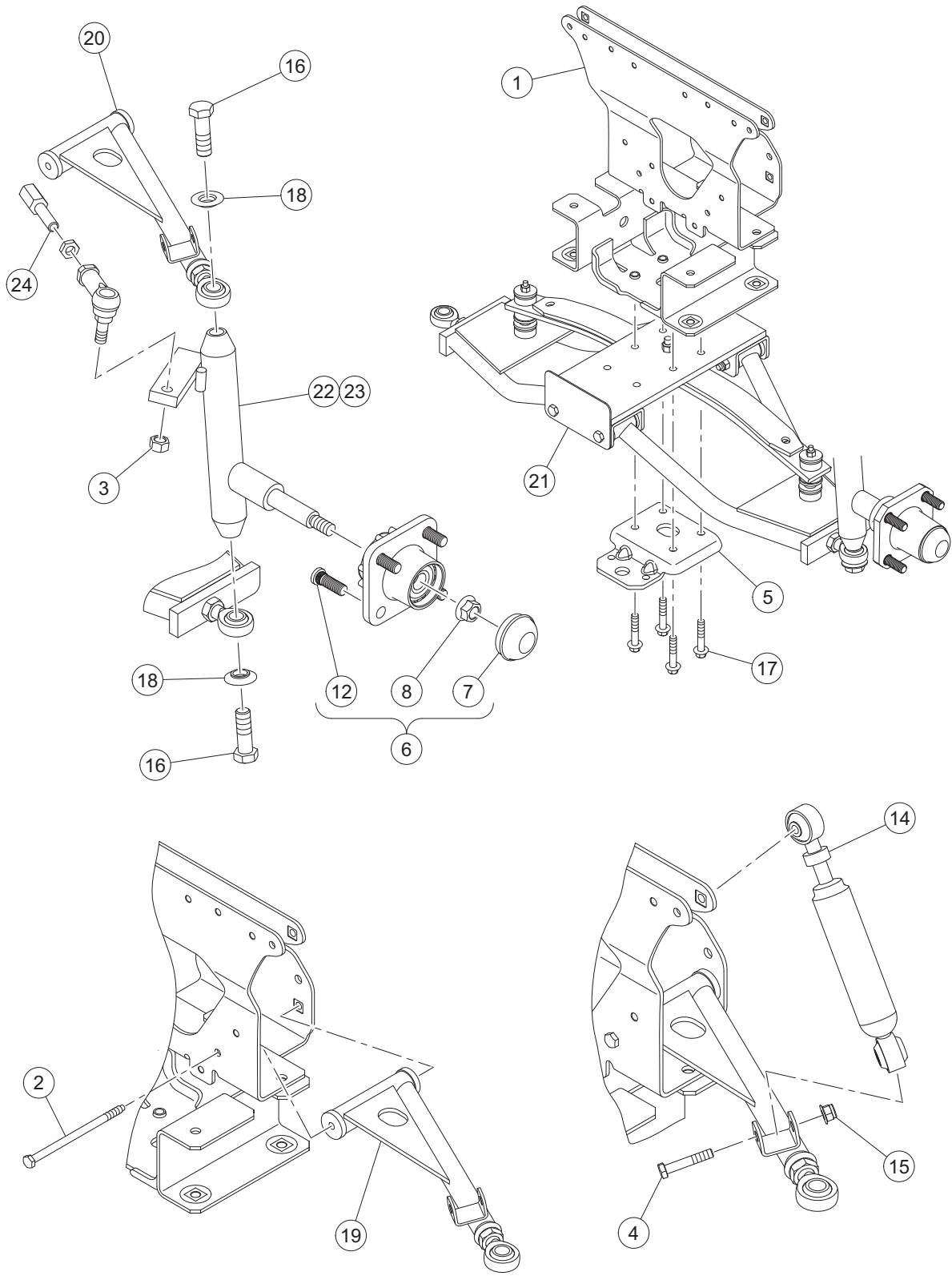
000476-005

STEERING GEAR ASSEMBLY

ITEM	PART NO.	DESCRIPTION	QTY
		1 2 3 4	
1	102022601	End, Tie Rod M12 X 1.25 Rh	2
2	102289001	Screw, M8X1.25X30, Hex	3
3	103679701	Asm, Rack & Pinion (includes items 4 through 9)	1
4	102565201	Seal, Dust, Steering Pinion	1
5	103826201	Bellow Kit, Steering-sona (includes items 6 through 8)	2
6	102566001	Clip, Steering	1
7	8990	Tie Wrap, 8" Nylon	1
8	N/A	Bellows	1
9	103826301	Kit, IBJ (Inner Ball Joint), Steering-sona (includes items 10 and 11)	2
10	1013042	Nut, 12mm Hex	1
11	N/A	Inner Ball Joint	1

7
G
E

7
G
E



G-020199-000003

FRONT SUSPENSION, LIFTED

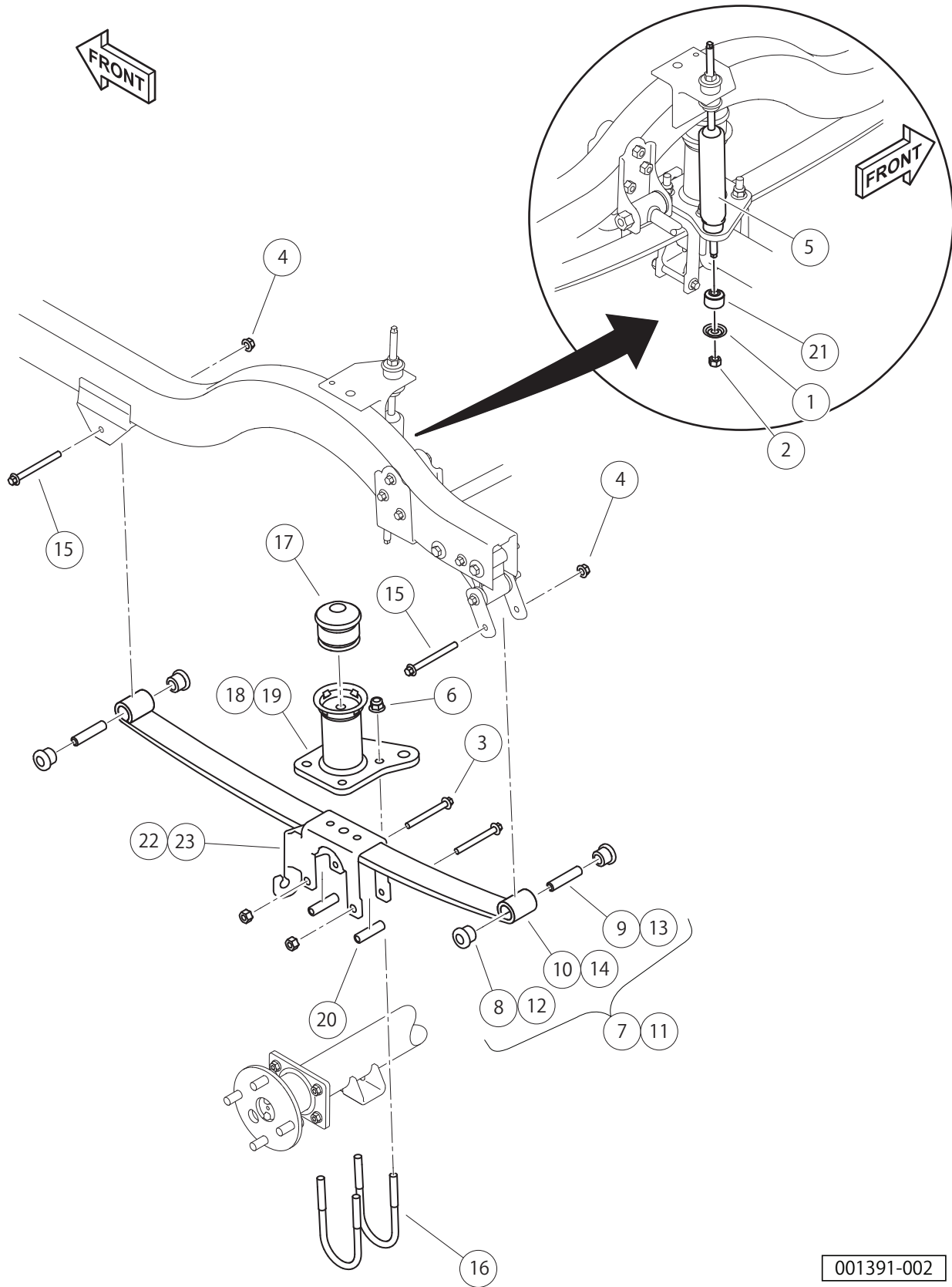
ITEM	PART NO.	DESCRIPTION	QTY
		1 2 3 4	
1	102287101	Assembly - Front Structure	1
2	102288901	Bolt, Hex, M8x1.25 X 135	2
3	102289201	Nut - Hex Locking, M12 X 1.25	2
4	102289401	Screw- Hex Cap, M8 X 1.25 X 45	4
5	102289801	Clamp - Leaf Spring	1
6	102357701	Replacement Kit, Front Hub (includes items 7 through 9)	2
7	102353201	Cap, Front Hub	1
8	102353301	Hex Nut, Locking Flange, M14x2	1
9	N/A	Asm, Front Hub, Bb, Long Stud (includes items 10 through 13)	1
10	N/A	Bearing, Ball, 6204	2
11	N/A	Spacer, Bearing, Front Hub, Pm	1
12	103477901	Lug Stud, 1/2-20 Unf, 4037	4
13	N/A	Front Hub, Ball Brg, Long Stud	1
14	102588601	Shock Absorber Front	2
15	102618601	Lock Nut, Flange, M8 X 1.25 Nylon	2
16	47566405001	Screw, Hex 5/8"-18 X 2" Gr5 Zn	4
17	47566411001	Screw, Hhf M10-1.5 X 50 Trilob	4
18	47650176001	Washer, High Misalignment 5/8"	4
19	47657816001	Asm, Upper A-arm, Hd Susp, Lh	1
20	47657817001	Asm, Upper A-arm, Hd Susp, Rh	1
21	47668395001	Asm, Base Lifted Frt Susp Lowr	1
22	AM1289701	Spindle, Driver-side	1
23	AM1289801	Spindle, Passenger-side	1
24	AM1290201	Tie Rod Extension	2
Note: Item 6 contains items 7 through 13. Detail items not shown for clarity.			

7

G

E

7
G
E



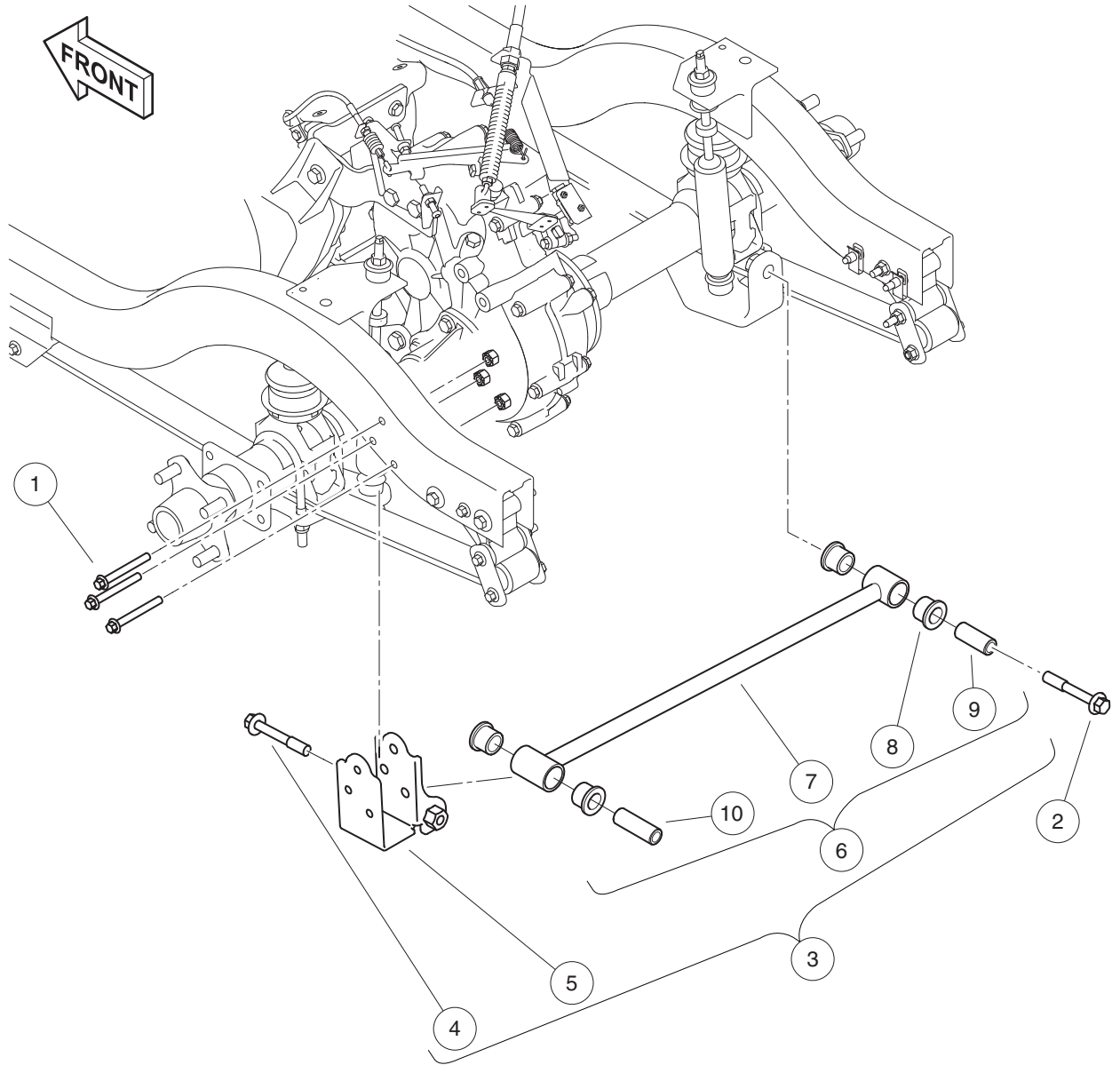
001391-002

REAR SUSPENSION, LIFTED

ITEM	PART NO.	DESCRIPTION	QTY
		1 2 3 4	
1	N/A	Retainer, Shock Absorber Cushion	8
2	1010145	Nut, 3/8-24 Hex	4
3	102298175	Bolt - Flange Hd, M8 X 75.0	4
4	102298401	Nut,m8,all Metal Lock	4
5	102588501	Shock Absorber, Rear	2
6	102670701	Nut, Flange, M10 X 1.5 Nylon	8
7	103742304	Asm, Rear Leaf Spring, Std (includes items 8 through 10)	2
8	101558302	Bushing, Urethane, Soft	4
9	102506401	Sleeve - Spring Eye Mounts	2
10	N/A	Leaf Spring, Rear, Std	1
11	103742307	Asm, Rear Leaf Spring, HD (includes items 12 through 14)	2
12	101558302	Bushing, Urethane, Soft	4
13	102506401	Sleeve - Spring Eye Mounts	2
14	103742207	Leaf Spring, Rear, HD	1
15	105188185	Bolt, M8 X 85mm, 10.9 Grade	4
16	105188701	U-bolt, M10x1.5x58	4
17	47576196001	Bumper, Jounce, D-255828	2
18	47576197001	Bracket, Bumper, Jounce, Driver-side	1
19	47576198001	Bracket, Bumper, Jounce, Passenger-side	1
20	47576648001	Sleeve, Perch, Spring	4
21	47579096001	Isolator, Shock Damper	8
22	47603899001	Brkt, Perch, Spring, Lh	1
23	47603900001	Brkt, Perch, Spring, Rh	1

7
G
E

7
G
E



001392-001

PANHARD ROD

ITEM	PART NO.	DESCRIPTION	QTY
		1 2 3 4	
1	102298170	Bolt - Flange Hd, M8 X 70.0	3
2	103146501	Bolt, Flg, M12 X 1.75 X 80	1
3	47577865001	Assy, Panhard and Frame Rail Bracket (includes items 4 through 6)	1
4	103146501	Bolt, Flg, M12 X 1.75 X 80	1
5	47576649001	Bkt, Frame Rail, Panhard	1
6	47577864001	Asm, Rod, Panhard (includes items 7 through 10)	1
7	47576650001	Assy, Weldment, Panhard	1
8	47576651001	Bushing, Slip, 3390000-160802	4
9	47576652001	Sleeve, Bushing, Panhard, Short	1
10	47576652002	Sleeve, Bushing, Panhard, Long	1

7
G
E

7

G

E

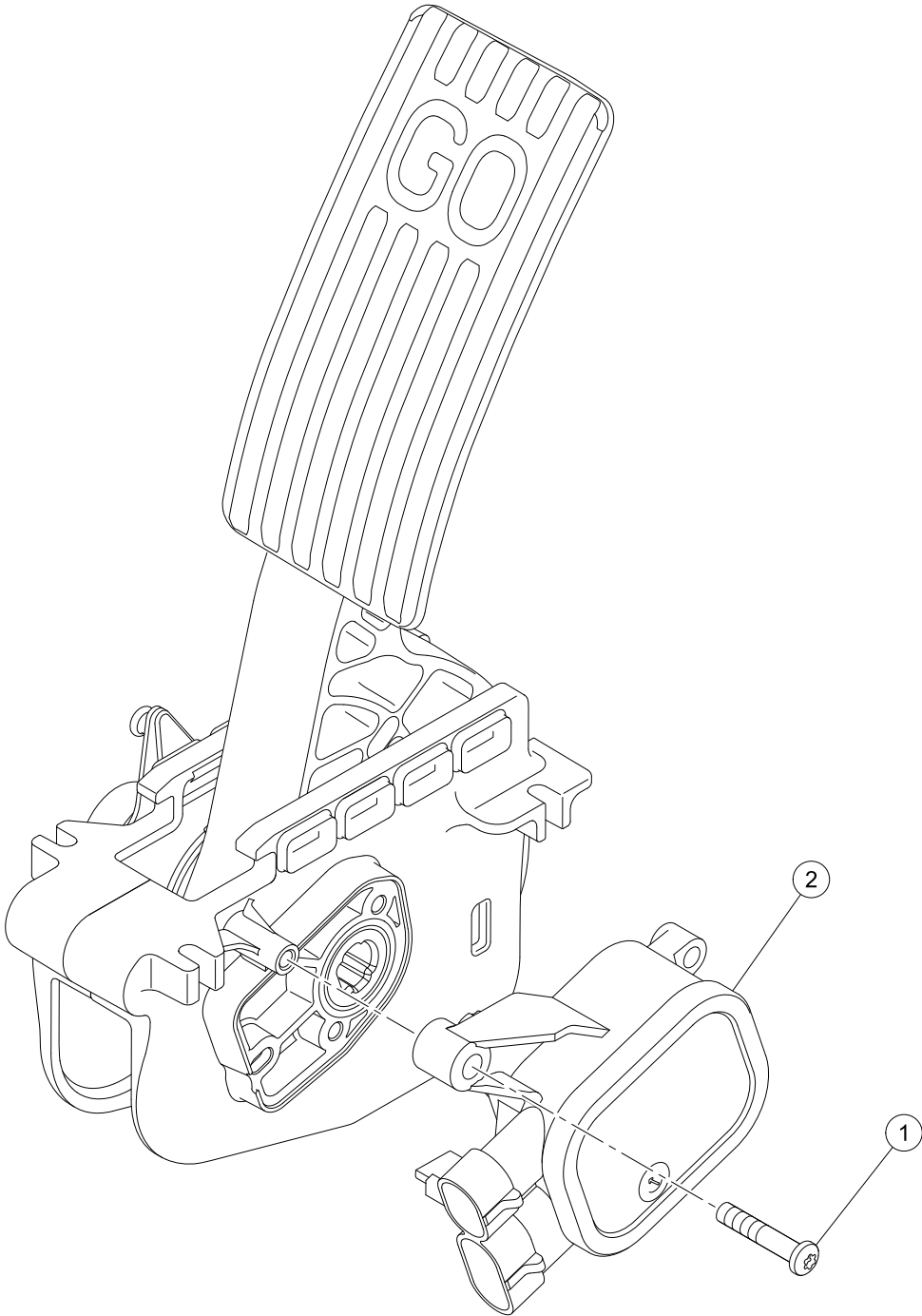
ELECTRICAL SYSTEM – LITHIUM-ION

8

E

8

E



G-131199-000003

MOTOR CONTROLLER OUTPUT REGULATOR (MCOR)

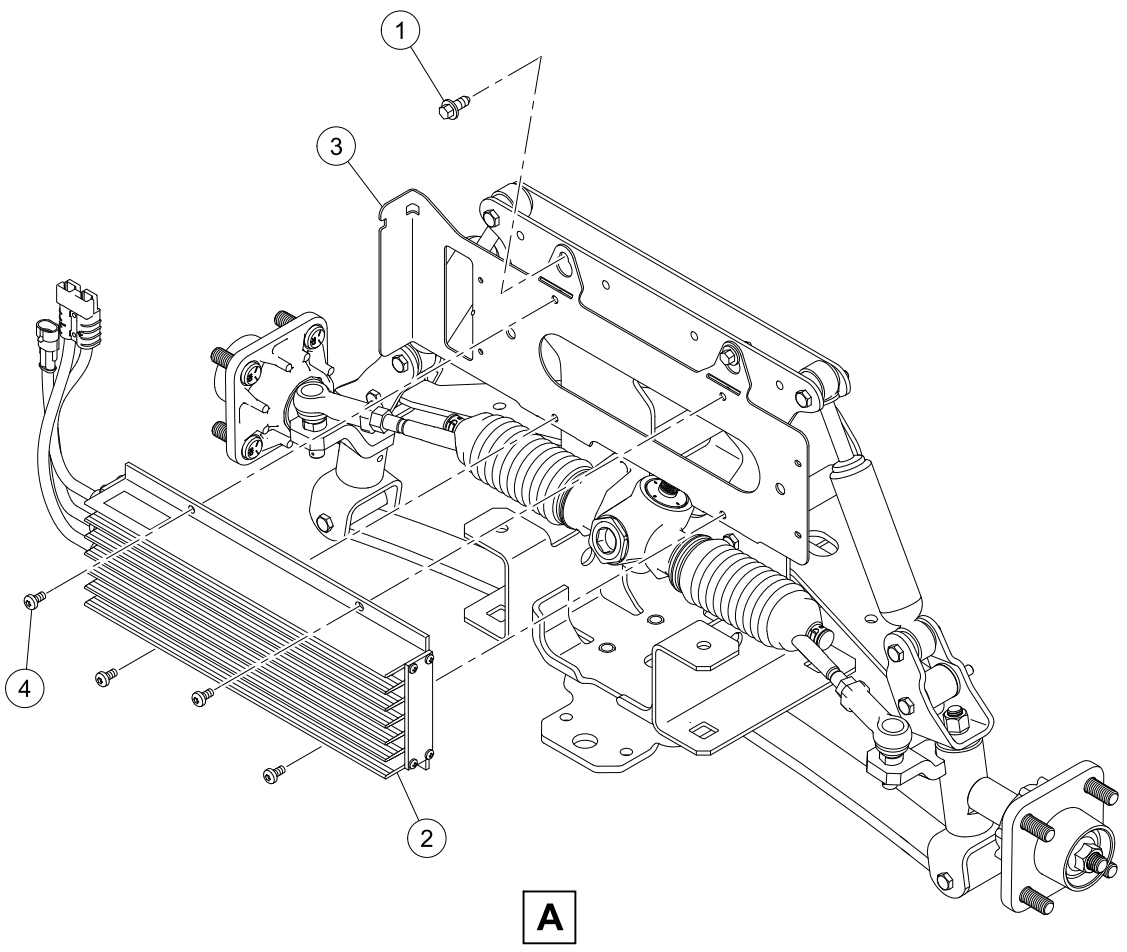
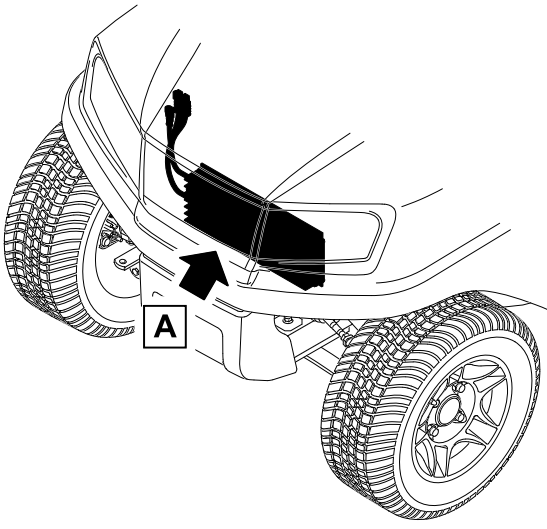
ITEM	PART NO.	DESCRIPTION	QTY
1	103943401	1 2 3 4 Screw, Pan, #10 X 1.00 Hi-lo	1
2	105116301	MCOR4, Type 16 Switch	1

8

E

8

E



G-130299-000004

DYNAMIC BRAKING RESISTOR

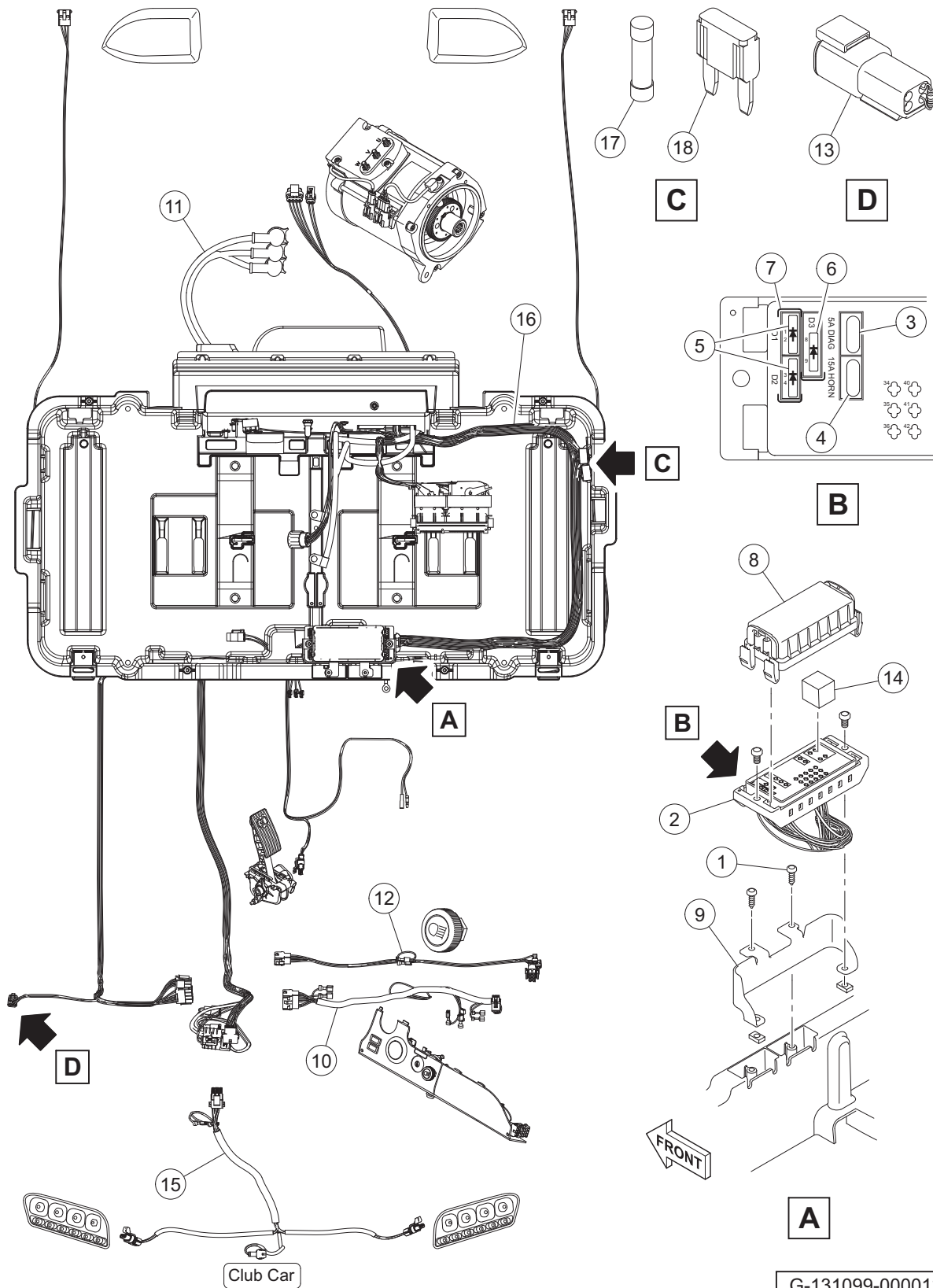
ITEM	PART NO.	DESCRIPTION	QTY
		1 2 3 4	
1	102298720	Screw, M8-1.25x20, Taptite	4
2	47631086001	Resistor, DBR	1
3	47636253001	Bracket, DBR	1
4	47644702001	Screw, M6 X 1.0 X 12, Torx	4

8

E

8

E



G-131099-000013

WIRING HARNESSES AND PDM

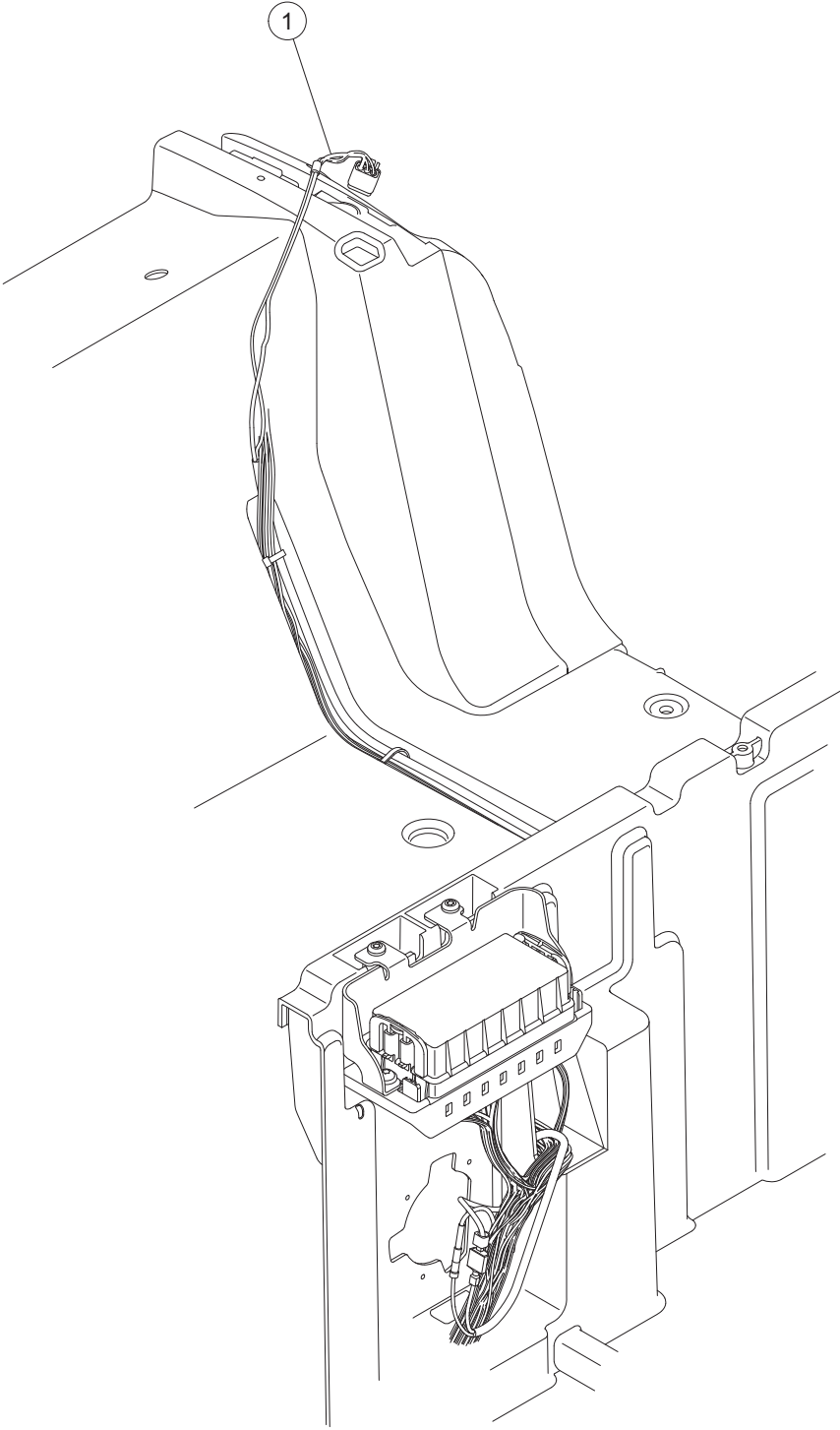
ITEM	PART NO.	DESCRIPTION	QTY
		1 2 3 4	
1	102296920	Screw, M6, Torx Button Head, Sems	2
2	47605992001	Base, PDM, 84 Way (includes items 3 through 7)	1
3	105114804	Fuse, Mini, Atm, 5 Amp	1
4	105114807	Fuse, Mini, Atm, 15 Amp	1
5	47616158001	Diode, 1.0a, Atm	2
6	47618753001	Diode, 3.0a, Atm	1
7	47619337001	Diode, Key, PDM	3
8	47605993001	Asm, PDM Cover	1
9	47614268001	Bracket, Fuse Block	1
10	47614743001	Harness, Ip, Lio, Prec, El	1
11	47614744001	Harness, Motor, Ac, Lio	1
12	47614807001	Harness, Lgt, Cntrl, Lio, Prec	1
13	47614808001	Cap, Resistor, Termination	1
14	47616611003	Relay, Mini 280 Spst, 50a	1
15	47660254001	Harness, Lighting, Li-Ion	1
16	47675944001	Harness, Main, Li, Ac (includes items 17 and 18)	1
17	47616157001	Fuse, Ato, 80v, 10a	1
18	47661704001	Fuse, 20a, Fast Act	1
		Note: Item 2 is part of the main harness assembly and is not procurable. Item 14 is an optional accessory relay in the PDM	

8

E

8

E



G-131099-000006

BLUETOOTH AND ACC HARNESSSES

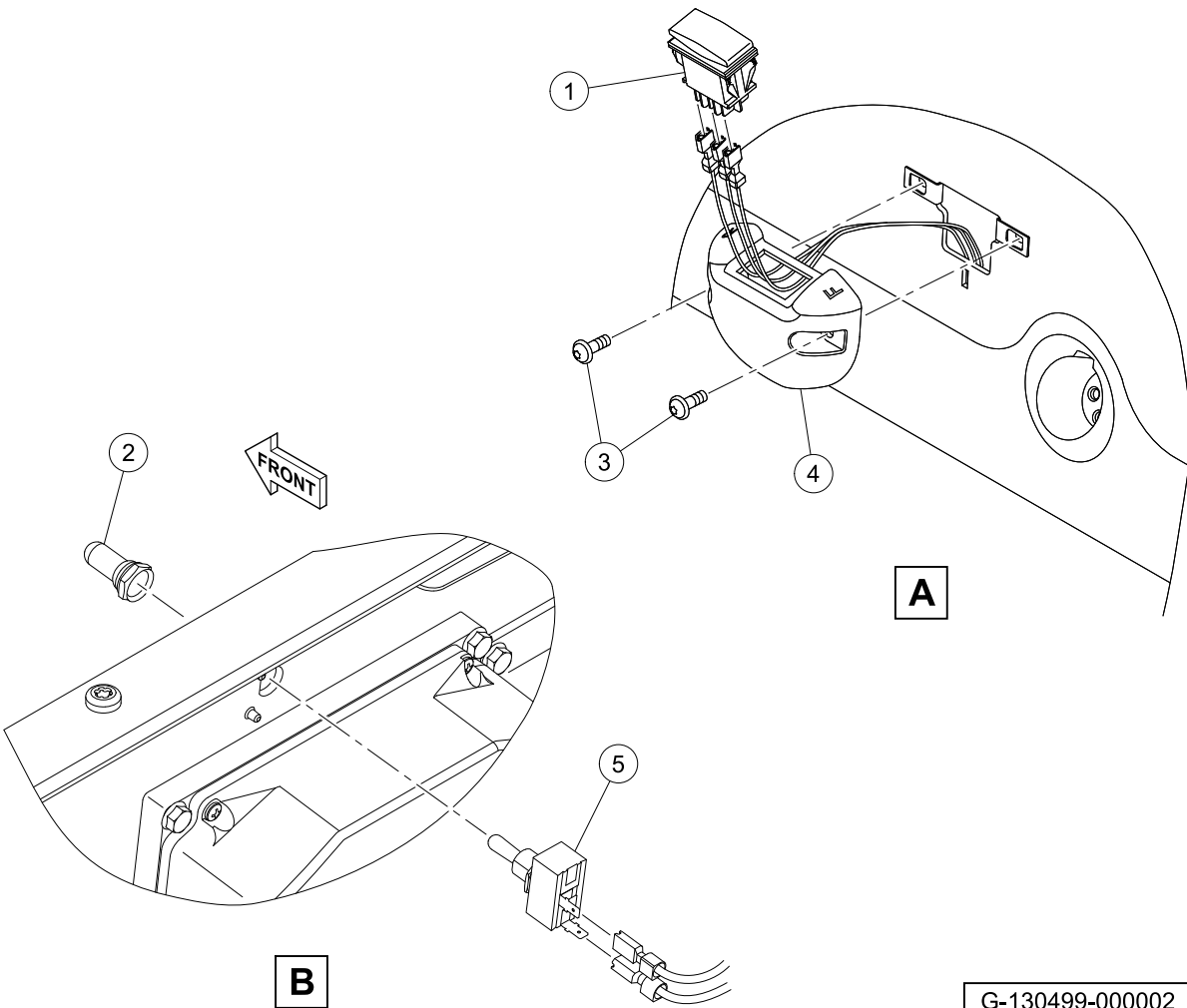
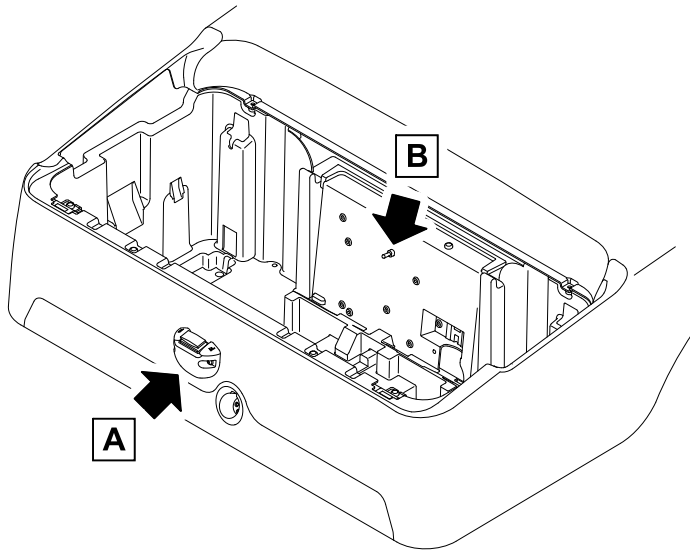
ITEM	PART NO.	DESCRIPTION	QTY
1	47672583001	1 2 3 4 Harness, 12v, Acc, Bt	1

8

E

8

E



G-130499-000002

FORWARD/REVERSE SWITCH AND TOW/RUN SWITCH

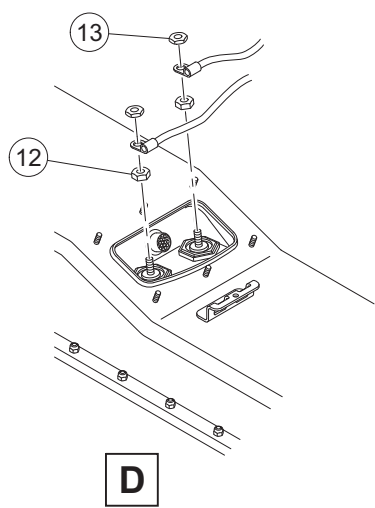
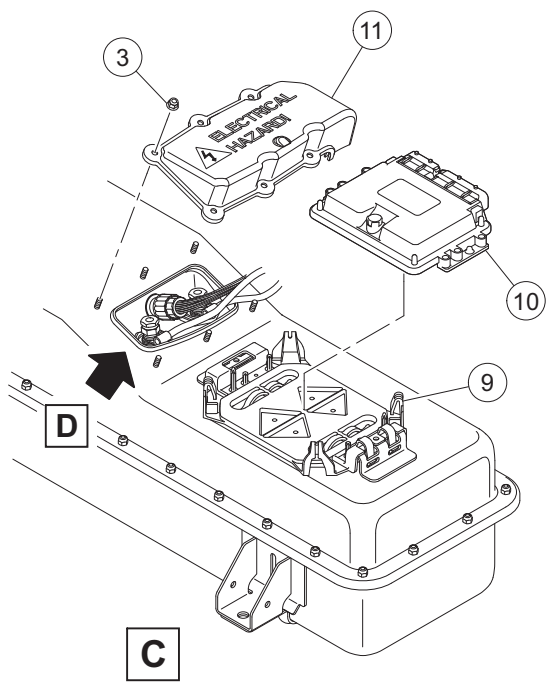
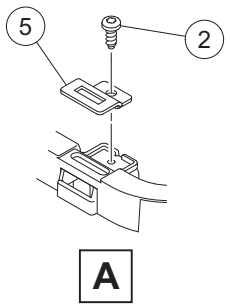
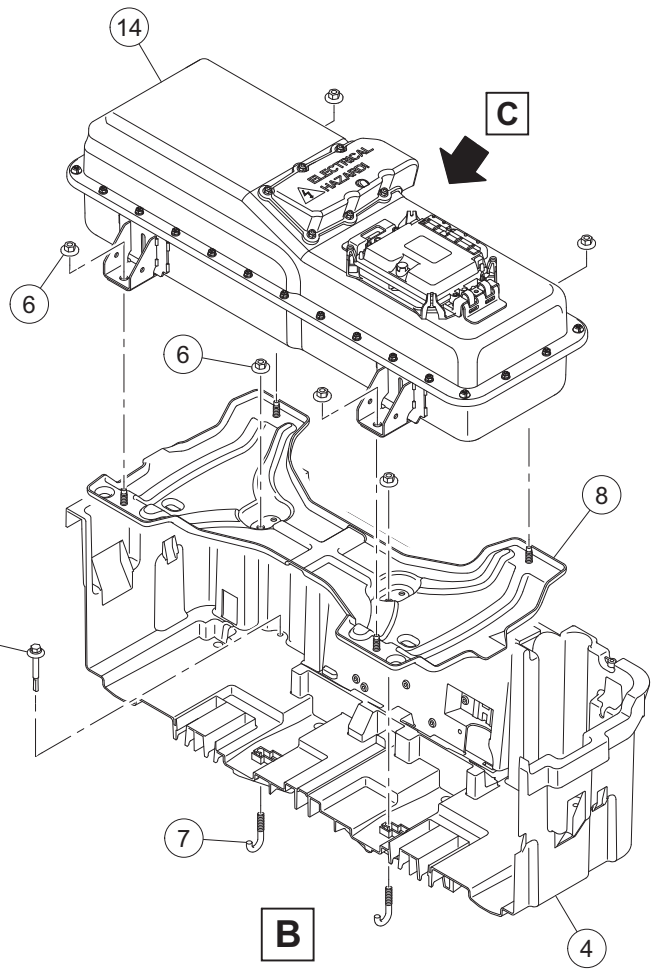
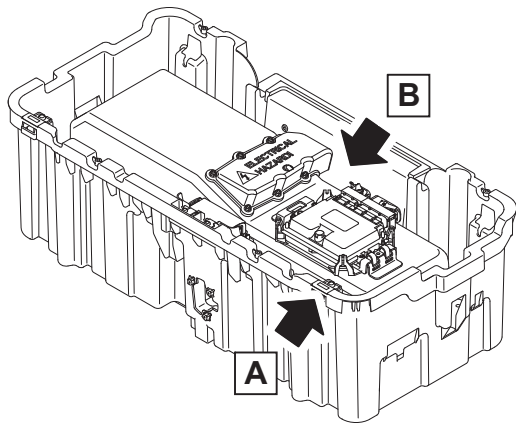
ITEM	PART NO.	DESCRIPTION	QTY
		1 2 3 4	
1	101856002	Switch, Rocker, Single-Pole	1
2	101908401	Boot, Switch	1
3	102296920	Screw, M6, Torx Button Head, Sems	2
4	102508401	Housing, FNR Electric	1
5	102511101	Switch, Tow/Run	1

8

E

8

E



G-130799-000019

BATTERY AND BATTERY BUCKET

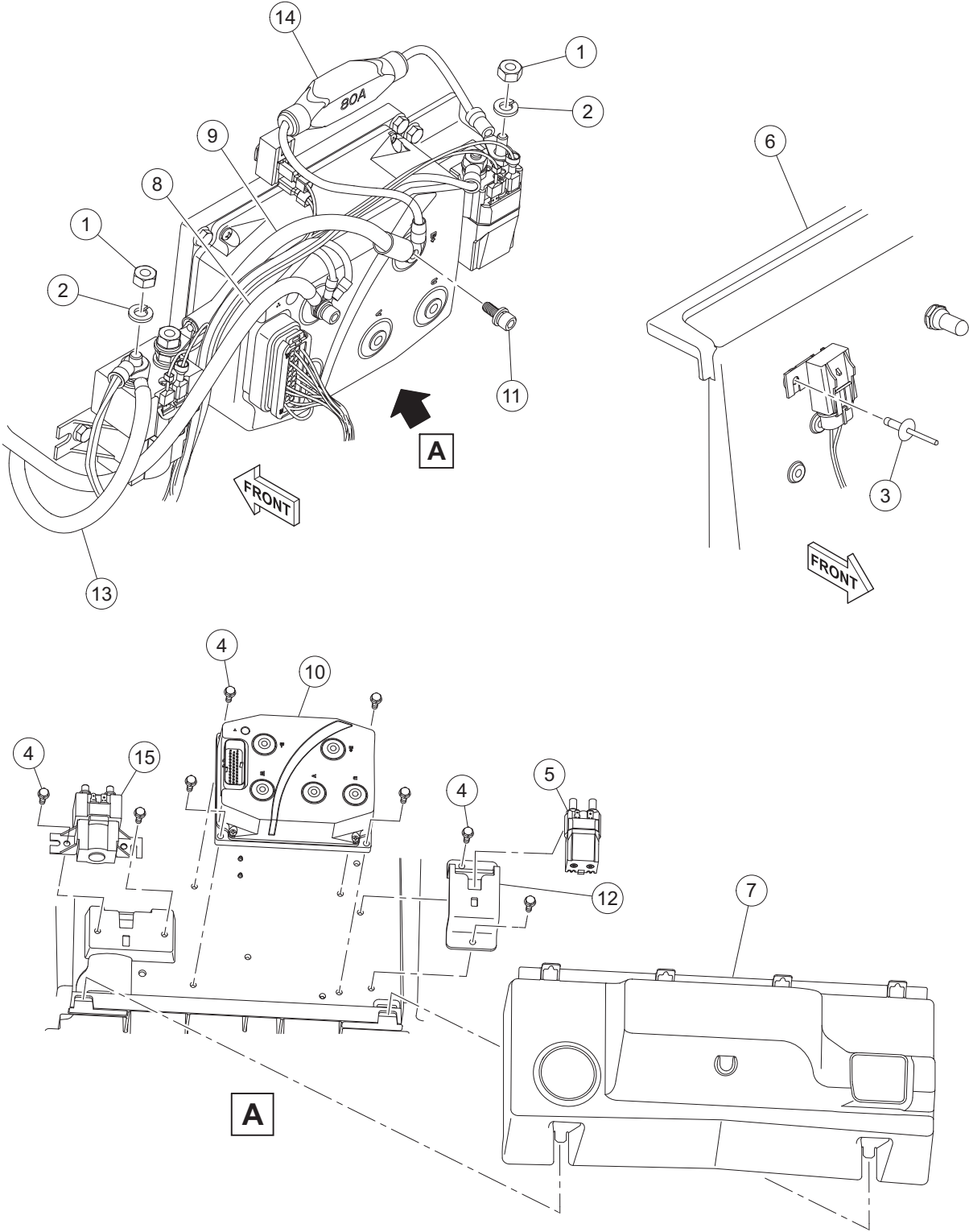
ITEM	PART NO.	DESCRIPTION	QTY
		1 2 3 4	
1	102292356	Screw-1/4-20x56 Hwh Self Drill	4
2	102298020	Screw, K80x20, Torx Pn Hd Pt	2
3	102621501	Nut, Flange, M6 X 1.0, Nylon	6
4	103350802	Bucket, Batt, Elec	1
5	103368301	Hinge - Nested	2
6	47609833001	Nut, Locking Washer, M10	8
7	47609834001	Hook, Retention, Batt Support	2
8	47609836001	Asm, Support, Battery	1
9	47610843001	Mount, Vcm, Lith	1
10	47620652001	Controller, Vcm, Li, Ev2106b01	1
11	47624755001	Asm, Cover, Terminal	1
12	47630830001	Spacer, 3/8-16, Brass	2
13	47634258001	Nut, 3/8-16 Zinc, K-lock	2
14	47706373001	Battery, Lithium-Ion, Gen 2	1

8

E

8

E



G-130499-000003

MODULE, CONTROLLER AND SOLENOIDS

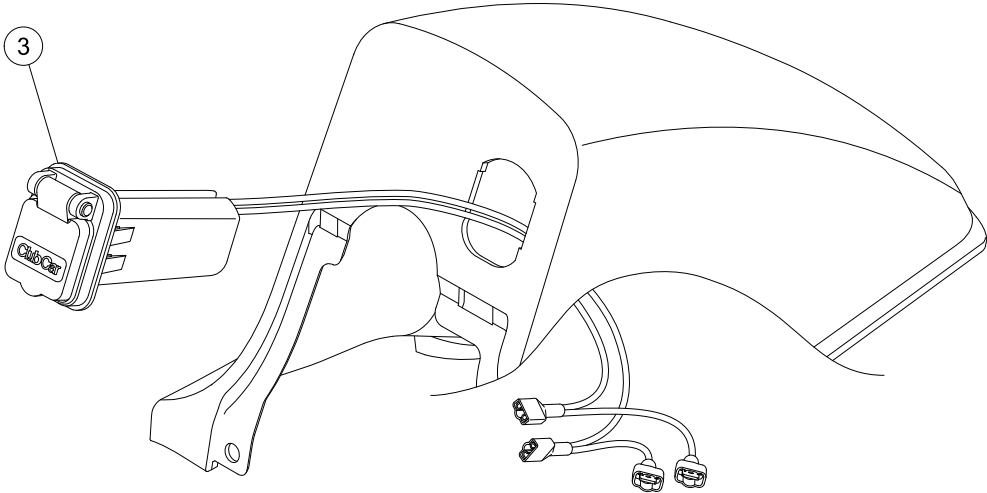
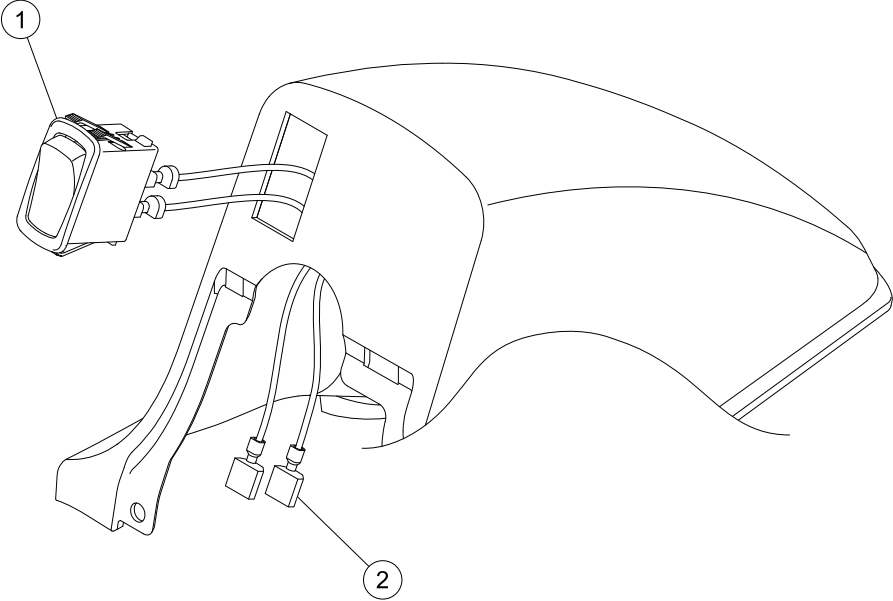
ITEM	PART NO.	DESCRIPTION	QTY
		1 2 3 4	
1	1012528	Nut, M8-1.25 Hex	4
2	1013734	Lockwasher, 8mm Split	4
3	1015392	Rivet, 3/16 Pop	1
4	102296720	Screw, M6 X 20 Tt Hx Fl Hd	8
5	102865901	Solenoid 48v Slot Mt No Diode	1
6	105005001	Component Mounting Plate	1
7	47610889001	Cover, Cmp, Extended	1
8	47614748001	Wire, Batt, Neg, Lio	1
9	47614749001	Wire, Sol-controller (b+)	1
10	47620653001	Controller, Mtr, Ac, Li, 1532	1
11	47624326001	Scr, M6, Stl Zn, Int Hex, Sems	5
12	47624985001	Bkt, Solenoid, Su60-2122p	1
13	47632305001	Wire, B+, Li, 4ga	1
14	47642666001	Fuse, Inline, 80A, DBR	1
15	47696033001	Solenoid, 48v, 150a	1

8

E

8

E



G-130599-000002

HAZARD SWITCH AND USB PORT

ITEM	PART NO.	DESCRIPTION	QTY
		1 2 3 4	
1	105146701	Switch, Hazard, 12vdc (includes item 2)	1
2	47614753001	Harness, Sub, Hazard Sw	1
3	47560030001	USB Port	1

8

E

8

E

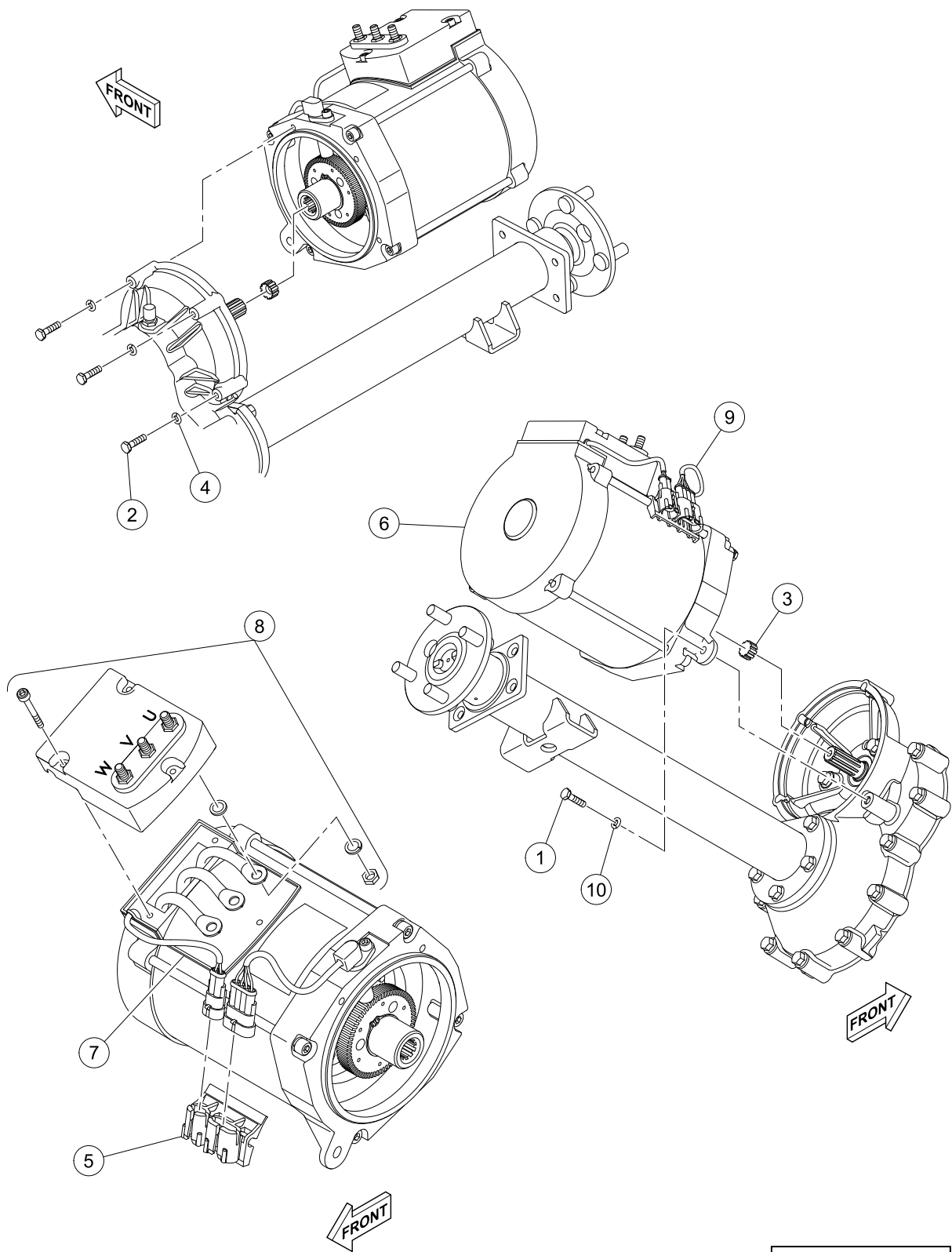
ELECTRIC MOTOR

9

E

9

E



G-130399-000001

ELECTRIC MOTOR

ITEM	PART NO.	DESCRIPTION	QTY
		1 2 3 4	
1	1010934	Screw, 5/16-18 X 1.00 Hex Cap	1
2	1014201	Screw, 1/4-20 X 2.25 Hex Cap	3
3	102235201	Bumper, Drive Unit	1
4	451	Lockwasher, 1/4 Split	3
5	47622766001	Clip, Motor Harness	1
6	47637882001	Motor, Elec, Acx-3381, W/clip	1
7	47653176001	Gasket, Terminal Block	1
8	47653176002	Kit, Terminal Block	1
9	47653176003	Kit, Speed Sensor Service	1
10	7174	Lockwasher, 5/16 Split	1

9

E

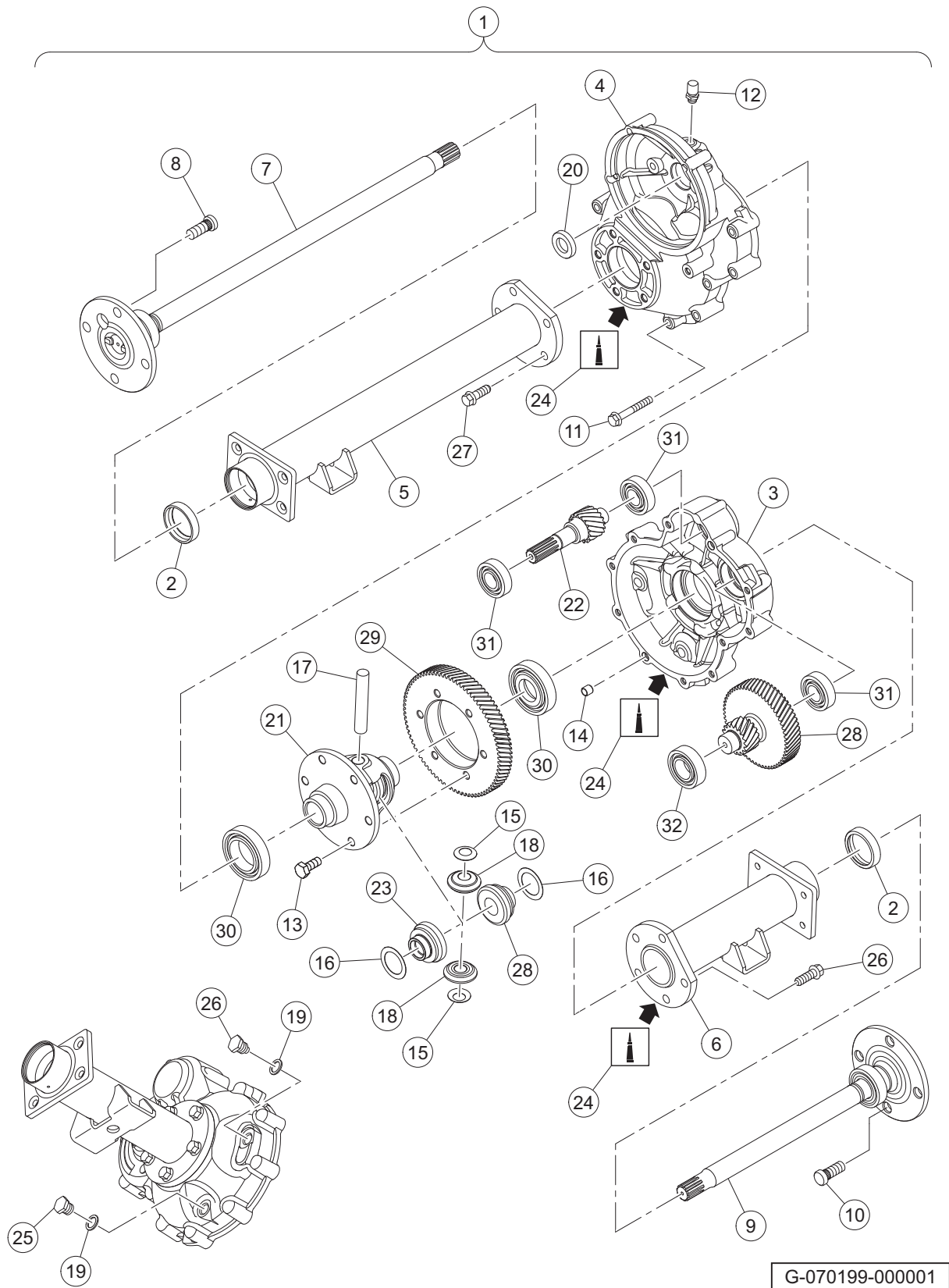
9

E

TRANSAXLE

10

E



TRANSAXLE

10

E

ITEM	PART NO.	DESCRIPTION	QTY
		1 2 3 4	
1	47609838001	Transaxle, Electric, 16:1 (includes items 2 through 32)	1
2	1013794	Axle Shaft Oil Seal	2
3	101895401	Gear Case, Driver-Side	1
4	101895501	Gear Case, Passenger-Side	1
5	101895601	Tube, Axle, Passenger-Side	1
6	101895701	Tube, Axle, Driver-Side	1
7	101895801	Axle Assembly, Passenger-Side (includes item 8)	1
8	101922201	Lug Stud	4
9	101895901	Axle Assembly, Driver-Side (includes item 10)	1
10	101922201	Lug Stud	4
11	101897001	Screw, M8-1.25 X 60mm Hex-Head	11
12	101897201	Breather	1
13	101897401	Screw, M10-1.25 X 25mm	6
14	101897601	Pin, 11mm OD X 8.5mm ID X 10mm	2
15	101903601	Washer, Thrust	2
16	101903701	Washer, Thrust	2
17	101922101	Pin, 15.99mm X 88.7mm Dowel	1
18	101923001	Gear, Differential Idler	2
19	101923201	Gasket	2
20	101923501	Seal, Lip	1
21	101923601	Differential Housing	1
22	N/A	Shaft, Input	1
23	101923901	Gear, Differential	2
24	101928701	Liquid Gasket (Transaxle case)	1
25	101972101	Plug, M14-1.5 X 12mm Magnetic	1
26	101972201	Plug, M14-1.5 X 12mm Hex	1
27	101976001	Screw, M10-1.50 X 35mm Hex Cap	10
28	47649348001	Shaft Assy, Intermediate	1
29	47649352001	Gear, Differential Output	1
30	47649353001	Bearing, Inner Axle Tube	2
31	47649354001	Bearing	3
32	47649355001	Bearing	1

10

E

BATTERY CHARGERS

11

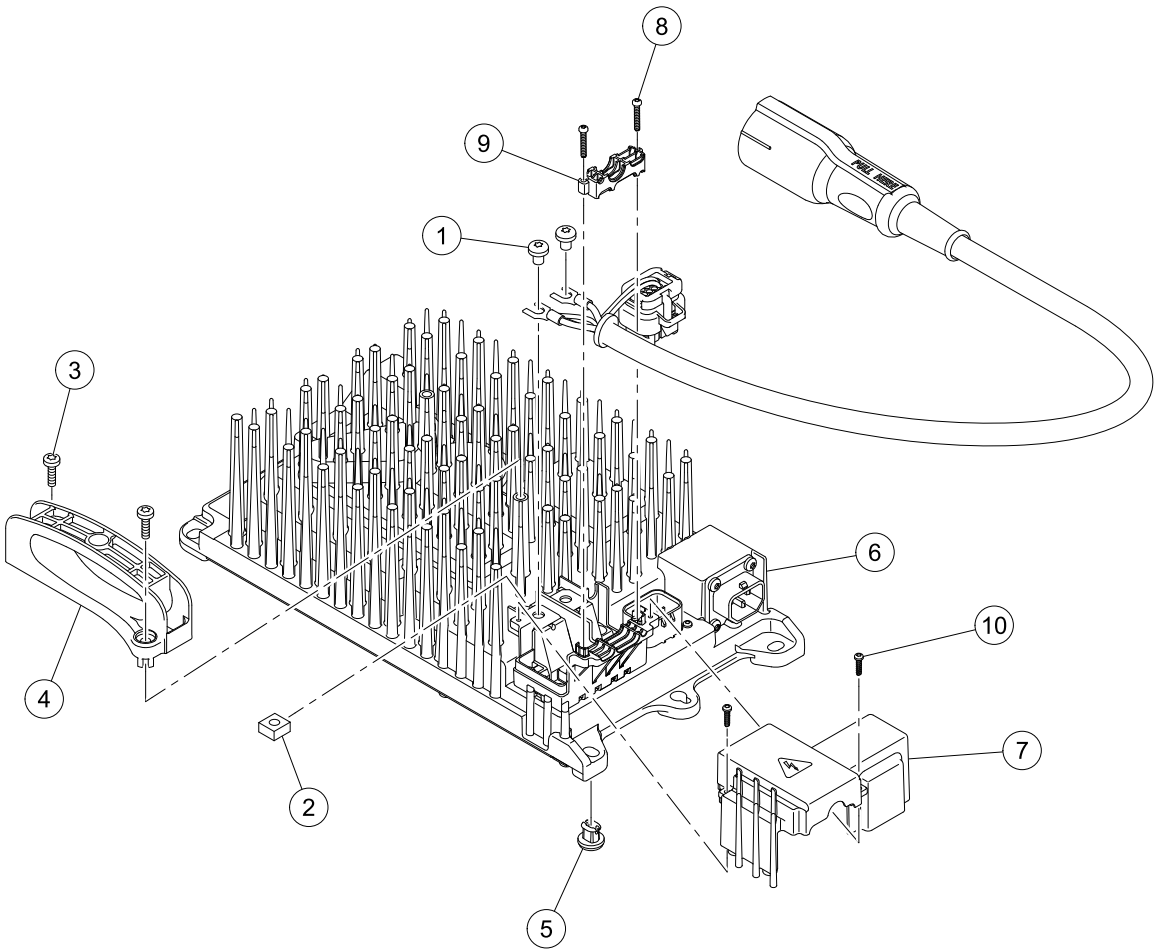
E

IC-650 BATTERY CHARGER – SHELF

ITEM	PART NO.	DESCRIPTION	QTY
		1 2 3 4	
1	104024501	Screw, M6, Torx Head	2
2	104024601	Nut, M6, Square, Captured	2
3	104028901	Screw, M4 X .70, Pan Hd, Torx	2
4	104029001	Screw, M5 X .80, Pan Hd, Torx	2
5	105003601	Handle, Charger, High-Freq	1
6	105003701	Foot, Charger, High-Freq	4
7	105093101	Strain Relief, High-Freq, External, Charger	1
8	47617894001	Charger, 650w Hf Li-ion	A/R
9	47637608001	Cover, Chgr, IC650, Front Exit	1
10	47639168001	Screw M3 X 12 Delta Point	2
		Note: For applicable charger cords, reference the Battery Charger Cords section.	

11

E



G-130899-000005

IC-900 BATTERY CHARGER – SHELF

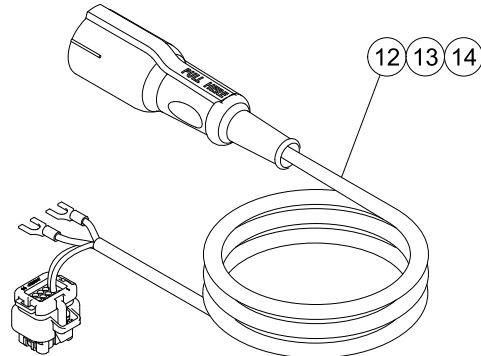
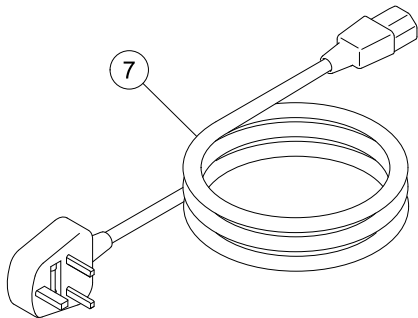
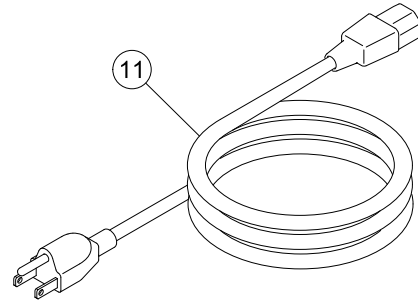
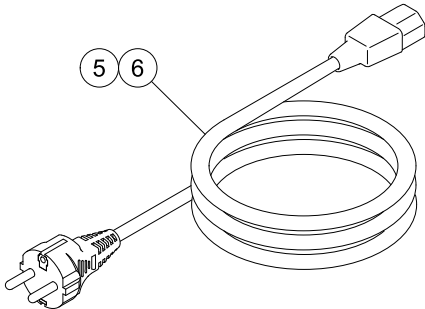
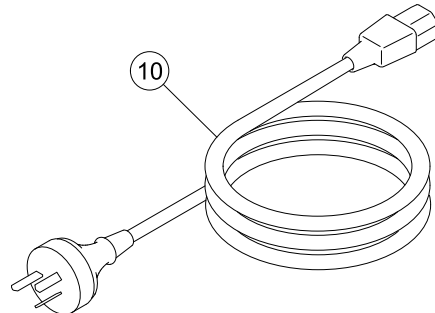
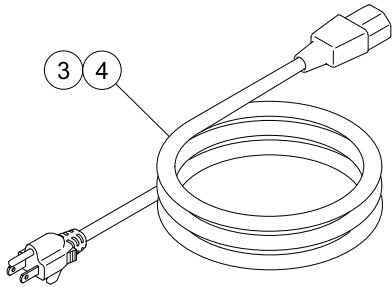
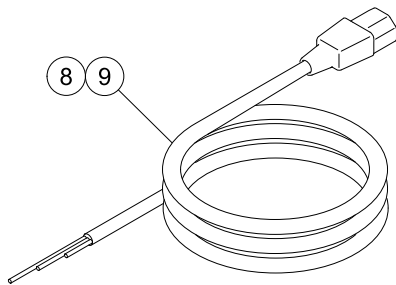
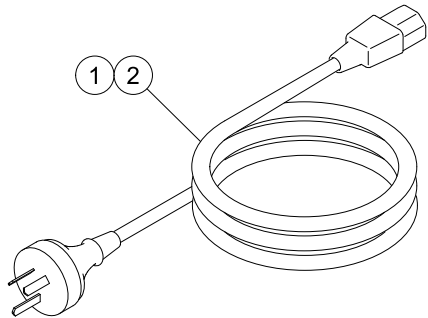
ITEM	PART NO.	DESCRIPTION	QTY
		1 2 3 4	
1	104024501	Screw, M6, Torx Head	2
2	104024601	Nut, M6, Square, Captured	2
3	104029001	Screw, M5 X .80, Pan Hd, Torx	2
4	105003601	Handle, Charger, High-Freq	1
5	105003701	Foot, Charger, High-Freq	4
6	47617895001	Charger, 900w Hf Li-ion	A/R
7	47618743002	Cover, Charger, Ic900	1
8	47628552001	Screw M3 X 18	2
9	47628868001	Dc Cord Clamp Ic900 Chgr	1
10	47639168001	Screw M3 X 12 Delta Point	2
		<p>Note: For applicable charger cords, reference the Battery Charger Cords section.</p>	

11

E

11

E



G-130899-000013

CORDS – BATTERY CHARGER, HIGH-FREQUENCY

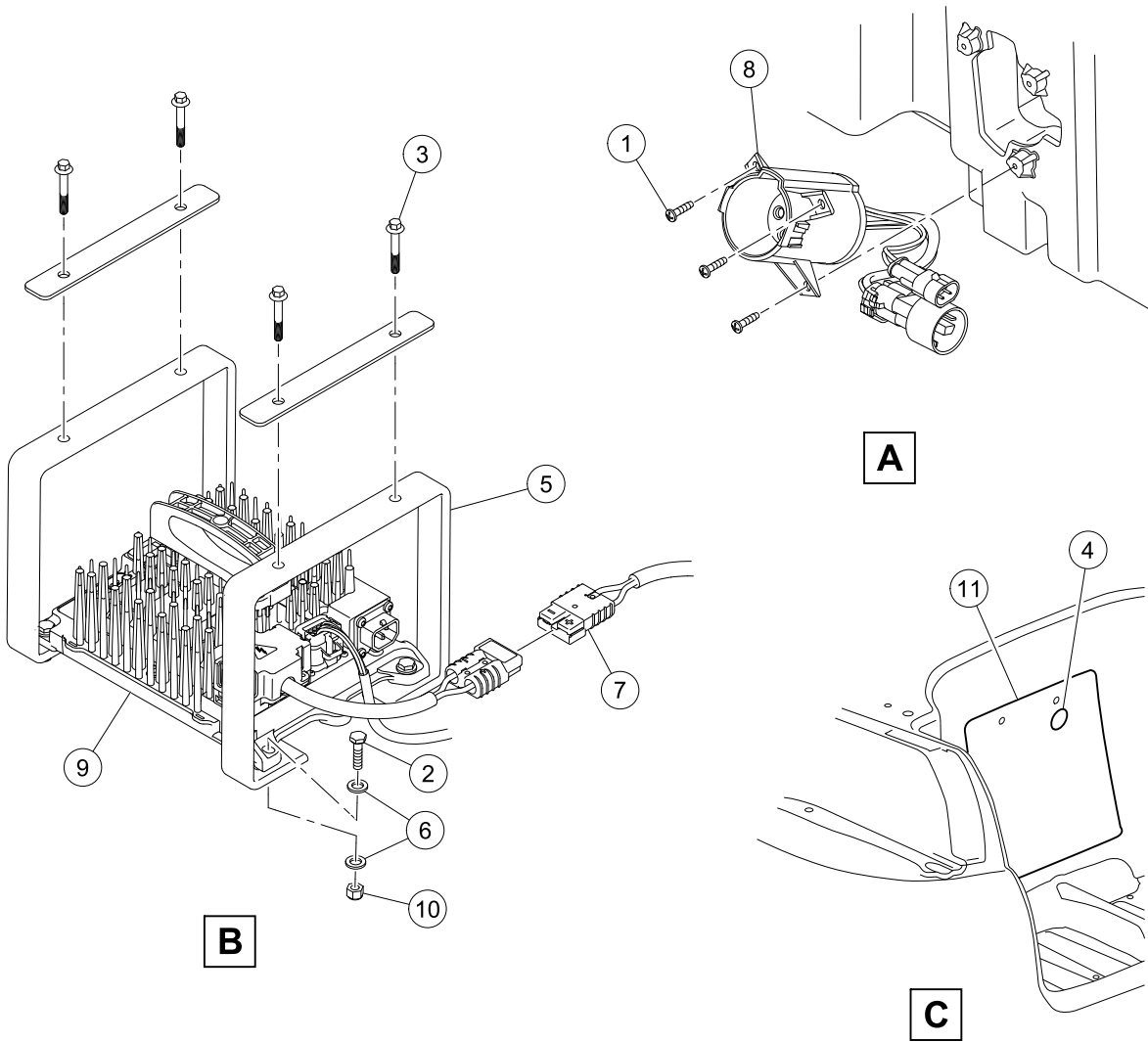
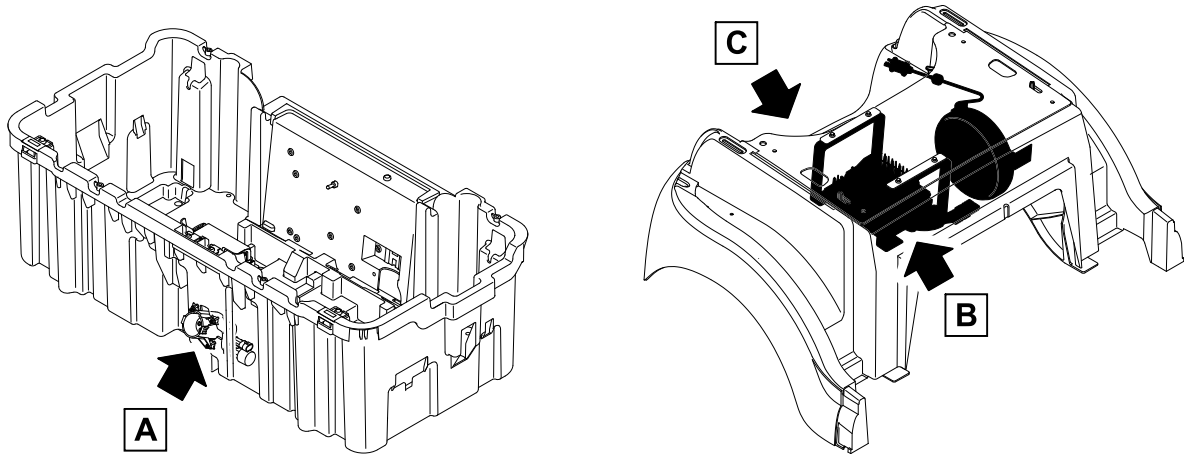
ITEM	PART NO.	DESCRIPTION	QTY
		1 2 3 4	
1	105068201	Cord, AC, lec320, 6ft (1.83 m), China	A/R
2	105068202	Cord, AC, lec320, 9ft (2.74 m), China	A/R
3	47606837001	Cord, Ac, lec320, 9Us'	A/R
4	47606837002	Cord, Ac, lec320, 6Us'	A/R
5	47612314001	Cord, Ac, lec320, 6,Eu'	A/R
6	47612314002	Cord, Ac, lec320, 9,Eu'	A/R
7	47612315002	Cord, Ac, lec320, 9,Gb'	A/R
8	47612316001	Cord, Ac, lec320, 6,Non-term'	A/R
9	47612316002	Cord, Ac, lec320, 9,Non-term'	A/R
10	47612317002	Cord, Ac, lec320, 9,Australi'	A/R
11	47612318002	Cord,ac, lec320, 9,Japan'	A/R
12	47617178001	Plug, Cord, Dc Lester, 9'	A/R
13	47617178002	Plug, Cord, Dc Lester, 12'	A/R
14	47617178003	Plug, Cord, Dc Lester, 20'	A/R

11

E

11

E



G-130899-000002

IC-650 BATTERY CHARGER – ONBOARD

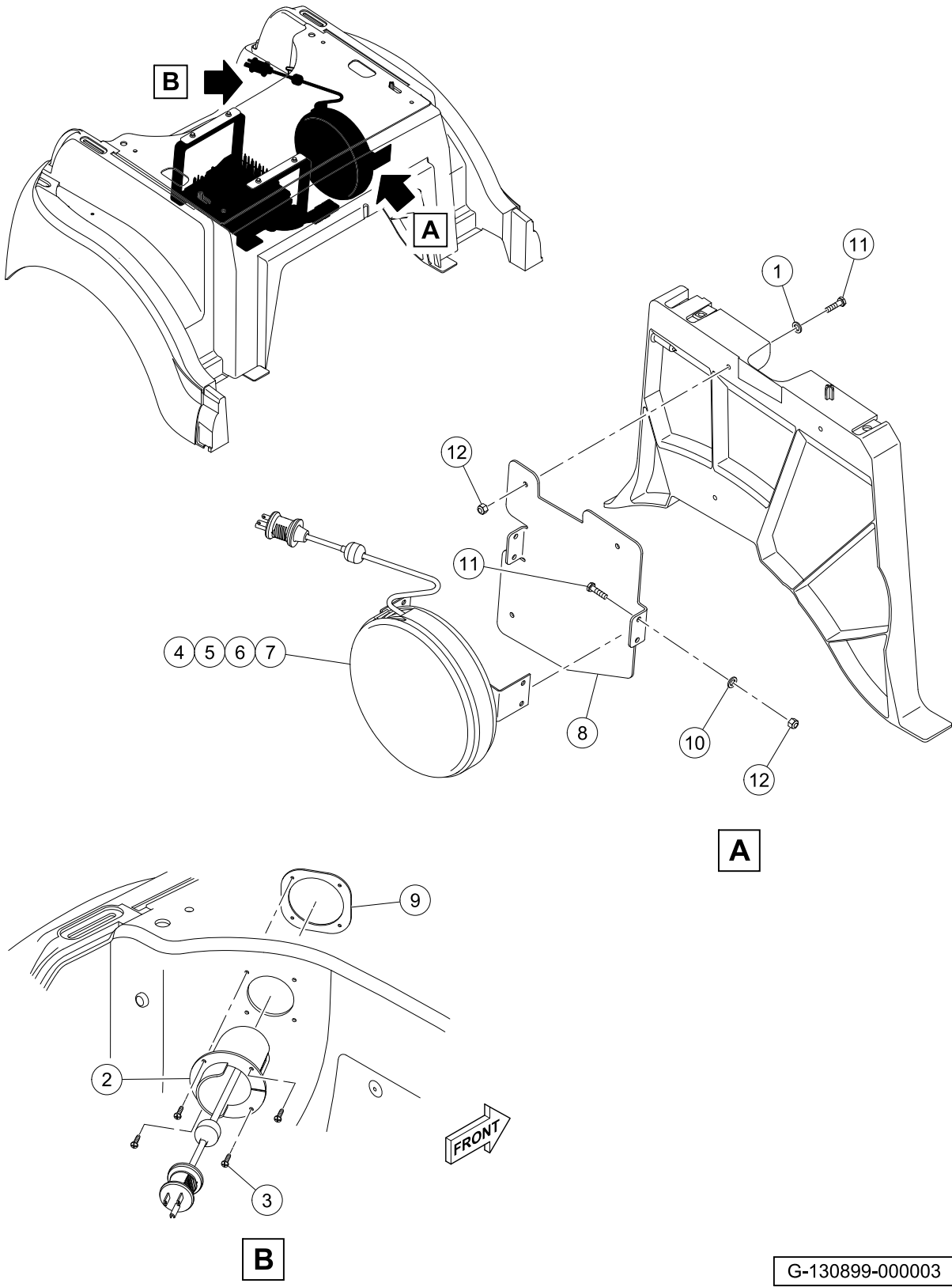
ITEM	PART NO.	DESCRIPTION	QTY
		1 2 3 4	
1	101832001	Screw, #7-19 X 0.625 Phillips Pan-Head Tap	3
2	101861901	Screw, 1/4-20 X 1.125 Hex Cap	4
3	102541401	Bolt-m6x1.0x20 Hex Flhd Blk-I	4
4	105300801	Plug, Push In, 61/64" Diameter	1
5	105315201	Asm, Bracket, Obc Eric Mount	1
6	332	Washer, 1/4 Type A Narrow Flat	8
7	47616156001	Harness, Chg, Ob, Lio	1
8	47622531001	Receptacle, Chrg, Lio, Les	1
9	47639251001	Asm, Chrgr, Ic650, Ob	1
10	8233	Locknut, 1/4-20, Nylon Insert	4
11	SVP915201	Panel-access-lite Hole Cut Out	1
		<p>Note: For applicable battery charger cord reels, reference the Battery Charger Cord Reels section.</p>	

11

E

11

E



G-130899-000003

BATTERY CHARGER CORD REELS – ONBOARD

ITEM	PART NO.	DESCRIPTION	QTY
		1 2 3 4	
1	1014306	Washer, 1/4" Type B Flat	3
2	1016673	Housing, Cord Reel	1
3	101832001	Screw, #7-19 X 0.625 Phillips Pan-Head Tap	4
4	103872701	Cord Reel, Hf Charger	A/R
5	103872702	Cord Reel, Hf Chgr, Uk	A/R
6	103872703	Cord Reel, Hf Charger, Eu	A/R
7	103872704	Cord Reel, Hf Charger, Aus	A/R
8	105299101	Plate, Cord Reel, Mtg, Unbody	1
9	105299601	Plate, Backing, Charge Port	1
10	332	Washer, 1/4 Type A Narrow Flat	4
11	7847	Screw, 1/4-20 X 0.75 Hex-Head Cap	7
12	8233	Locknut, 1/4-20, Nylon Insert	7

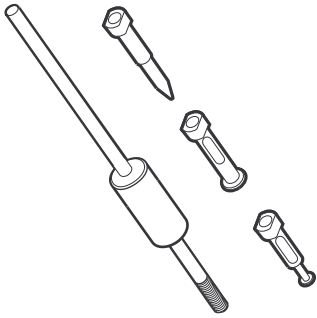
11

E

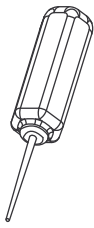
11

E

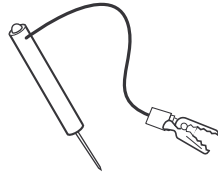
MAINTENANCE AND SERVICE TOOLS



1



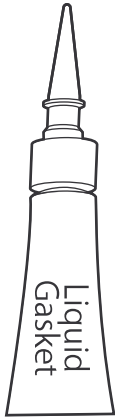
2



3



4



5



6



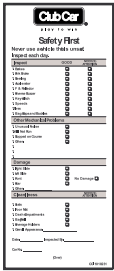
7



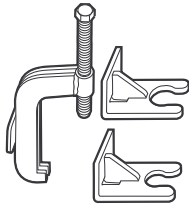
8



9



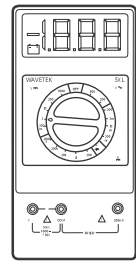
10



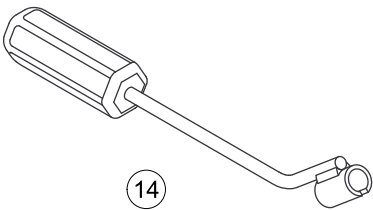
11



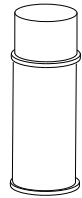
12



13



14

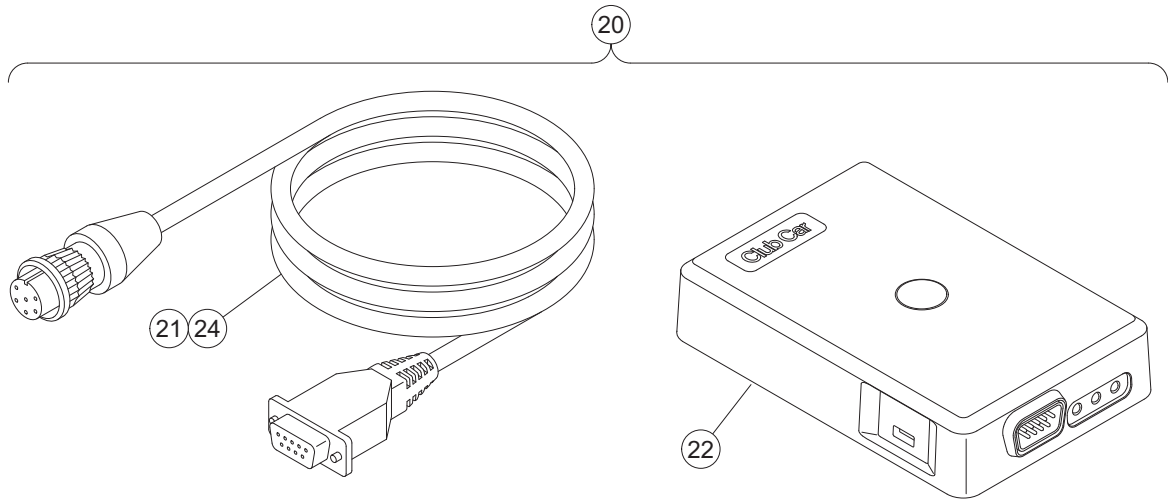


15 - 19

G-150199-000003

MAINTENANCE AND SERVICE TOOLS

ITEM	PART NO.	DESCRIPTION	QUANTITY
		<p>1 2 3 4</p> <p>The following list includes all tools and detailing products available from Club Car for your vehicle. Make sure to carefully examine the tool list for applicability to your vehicle before ordering.</p>	
1	1016417	Bearing and Oil Seal Remover Assembly	1
2	102562401	Charger Bezel Tool	1
3	1011273	Continuity Tester	1
4	1013593	Internal Retaining Ring Pliers	1
5	101928701	Liquid Gasket (transaxle case)	1
6	102243402	Moly-Teflon Lubricant (4-oz. (113-gram) tube)	1
7	102587201	Paint Pen, Touch-Up, Underbody , Black	1
8	1012549	Retaining Ring Pliers, 45 Degree External	1
9	1012560	Retaining Ring Pliers, 90 Degree Internal	1
10	101823101	Safety First Card (50 per pack)	1
11	102061201	Steering Wheel Puller Tool	1
12	1014161	Transaxle Pinion Seal Tool.....	1
13	1011480	Volt Ohm Meter	1
14	102555501	Brake Cable Release Tool.....	1
15	1012151	Dry Moly Lubricant	1
16	AM1250001	Windshield Cleaner and Protectant, 14oz.....	1
17	AM1250101	Re-Black, 10oz.	1
18	AM1250201	Wax-All, 12oz.	1
19	AM1250301	Finish Restore, 16oz.	1
		<p>Please refer to the maintenance and service manual for proper applications.</p>	



G-150199-000002

ITEM	PART NO.	DESCRIPTION	QUANTITY
		1 2 3 4	
20	47642187001	Kit, Diagnostic Box Tool (includes items 21, 22, and 23).....	1
21	47630785001	Cable, Diagnostic Interface (LG Battery Only)	1
22	47631040001	Diagnostic Control Box Assy	1
23	47642168001	User Manual, Diagnostic Box Tool Kit.....	1
24	47689731001	Cable, Diagnostic Interface (Vanguard Battery Only).....	1
		<p>Please refer to the maintenance and service manual for proper applications.</p>	

INDEX

Part Number and Page

AM10092	1-69	1016214	6-3, 7-3	102235201	9-3
AM1289701	7-11	1016417	12-3	102243402	12-3
AM1289801	7-11	1016673	11-11	102278802	1-51
AM1290201	7-11	1016849	4-9	102279106	1-29
AM15028001	1-69	1016851	4-9	102287101	6-11, 7-11
SVP915201	1-29, 11-9	101791101	5-3	102287601	6-11
332	1-69, 11-9, 11-11	101802602	4-9	102287701	6-11
451	9-3	101815501	5-3	102288101	6-11, 6-13
1218	1-35	101815502	5-3	102288201	6-13
1242	5-5, 5-7	101816501	5-3	102288401	6-13
7174	9-3	101816502	5-3	102288701	6-13
7311	1-69	101823101	12-3	102288801	6-13
7473	1-35	101823201	5-3	102288901	6-11, 7-11
7847	11-11	101823801	5-3	102289001	6-9, 7-9
8233	1-69, 11-9, 11-11	101823901	5-3	102289101	6-13
8990	6-9, 7-9	101825104	3-3	102289201	6-13, 7-11
1010145	6-15, 6-17, 7-13	101830701	4-11	102289401	6-11, 7-11
1010434	1-11, 1-13, 1-27, 1-33, 1-51, 5-9	101832001	11-9, 11-11	102289501	6-11, 6-13
1010436	1-31	101834502	4-11	102289601	6-11
1010829	5-5, 5-7	101835601	1-51	102289701	6-11
1010921	1-35	101850301	6-3, 6-5, 7-3, 7-5	102289801	6-13, 7-11
1010934	9-3	101851101	4-11	102289901	6-11
1011017	4-13	101856002	8-11	102290120	6-3, 6-5, 6-7, 7-3, 7-5, 7-7
1011273	12-3	101861901	11-9	102292101	1-3
1011415	6-15	101895401	10-3	102292201	5-9
1011480	12-3, 12-5	101895501	10-3	102292356	1-17, 1-19, 8-13
1011553	1-35, 3-3	101895601	10-3	102292701	1-19, 1-29
1011578	1-51	101895701	10-3	102292801	5-5, 5-7
1011697	1-35	101895801	10-3	102296020	1-13, 4-3
1012151	12-3	101895901	10-3	102296040	4-13
1012180	6-15	101897001	10-3	102296140	1-37
1012528	8-15	101897201	10-3	102296150	1-67, 4-13
1012549	12-3	101897401	10-3	102296301	1-55, 1-57, 1-63
1012560	12-3	101897601	10-3	102296401	1-37
1012565	6-3, 7-3	101903601	10-3	102296530	1-27
1012566	6-3, 7-3	101903701	10-3	102296601	1-29
1012571	1-21	101908401	8-11	102296720	8-15
1013042	6-9, 7-9	101922101	10-3	102296819	1-17
1013164	6-15	101922201	10-3	102296920	1-67, 4-13, 8-7, 8-11
1013593	12-3	101923001	10-3	102297001	1-17
1013734	8-15	101923201	10-3	102297230	1-27, 1-29
1013794	10-3	101923501	10-3	102297901	5-5, 5-7
1013857	4-9	101923601	10-3	102298020	1-19, 1-21, 1-23, 4-13, 8-13
1013924	5-3	101923901	10-3	102298030	1-29, 1-31, 5-9
1014161	12-3, 12-5	101928701	10-3, 12-3	102298116	6-7, 7-7
1014201	9-3	101954301	1-25	102298130	6-7, 7-7
1014306	11-11	101972001	3-3	102298170	6-15, 6-19, 7-15
1014555	6-15	101972101	10-3	102298175	6-15, 6-17, 7-13
1015392	8-15	101972201	10-3	102298240	1-51
1015583	6-15	101976001	10-3	102298250	1-27
101558302	6-15, 6-17, 7-13	101998501	1-25	102298401	1-3, 1-5, 1-9, 1-39, 6-15, 6-17, 7-13
1015727	1-31	102022601	6-9, 7-9	102298580	1-3, 6-15
101609401	3-3	102051901	4-9	102298601	1-3, 6-15
1016154	6-3, 7-3	102061201	12-3	102298716	1-29
		102163001	1-55, 1-57	102298720	1-5, 1-15, 1-19, 4-7, 8-5
		102196901	4-9	102298995	1-3

INDEX

102299065	1-39, 1-41, 4-13	102595201	5-9	103699401	1-27
102299360	1-39	102595301	5-9	103724503	6-3, 6-5, 7-3, 7-5
102299601	1-39	102595401	5-9	103724601	6-3, 7-3
102353201	6-13, 7-11	102595901	5-9	103724602	6-5, 7-5
102353301	6-13, 7-11	102596001	5-9	103724901	6-3, 7-3
102353401	6-13	102596301	5-9	103742207	7-13
102357701	6-13, 7-11	102618601	7-11	103742304	6-15, 6-17, 7-13
102500801	5-9	102621501	1-67, 4-13, 8-13	103742307	7-13
102501402	1-29	102670701	6-17, 7-13	103750001	1-39, 1-41, 4-13
102501403	1-29	102865901	8-15	103750101	1-39, 1-41
102501501	1-13	102878201	6-13	103754901	1-55, 1-57
102502501	1-13	102883602	1-13, 3-5	103777601	5-9
102504001	1-27	102915601	1-17	103783001	3-3, 6-3, 7-3
102504201	1-27	102947601	1-55, 1-57	103783002	6-3, 7-3
102504301	1-27	102956201	6-11, 6-13	103783003	6-3, 7-3
102504802	1-19	102967901	1-29, 1-31	103796701	6-3, 7-3
102505401	1-3	103146501	6-19, 7-15	103803101	4-7
102505701	1-3, 6-11	103182702	1-31	103810201	6-7, 7-7
102506401	6-15, 6-17, 7-13	103196001	1-39, 1-67, 4-13	103812901	1-29
102508202	1-23	103199301	1-39	103813001	1-29
102508401	8-11	103200301	1-39, 1-67, 4-13	103826201	6-9, 7-9
102508901	1-37	103205101	1-37	103826301	6-9, 7-9
102508902	1-37	103210101	1-37	103829401	6-5, 7-5
102508903	1-37	103325001	1-9	103832401	2-3, 2-5
102511101	8-11	103327601	1-27	103832901	1-25
102511601	1-37	103350802	8-13	103833601	1-25
102511602	1-37	103368301	8-13	103833701	1-25
102511603	1-37, 1-43	103380201	5-3	103833801	1-25
102513501	1-39	103380202	5-3	103833901	1-25
102516902	1-23	103384601	3-3	103853121	1-27
102517001	1-27	103384701	3-3	103853122	1-27
102521901	1-19	103388501	6-11	103853125	1-27
102529201	4-7	103402701	1-17	103872701	11-11
102534201	1-5, 1-9	103423701	1-5	103872702	11-11
102541401	4-13, 11-9	103477901	7-11	103872703	11-11
102541440	1-43	103483101	5-3	103872704	11-11
102541465	1-43	103483102	5-3	103874111	5-9
102541501	1-43	103483201	5-3	103874112	5-9
102544201	1-39, 1-41, 4-13	103483401	5-3	103921601	6-15
102551901	5-5, 5-7	103483601	5-3	103921602	6-15
102552001	5-5, 5-7	103483701	5-3	103923601	1-9
102557201	1-17	103528501	5-5	103926603	1-3
102559401	5-9	103528601	5-5	103929301	1-27
102559701	5-9	103528701	5-5	103929302	1-27
102562401	12-3	103528702	5-5	103935601	6-13
102565201	6-9, 7-9	103531101	4-7	103943401	5-9, 8-3
102566001	6-9, 7-9	103535001	5-5, 5-7	103952901	1-27
102572401	4-9	103597101	4-5	103964901	6-15
102581201	1-41	103635201	1-19	103965001	6-15
102582401	1-55, 1-57, 1-63	103638601	6-13	103974901	5-9
102587201	12-3	103638701	6-13	103975011	5-9
102588501	6-15, 6-17, 7-13	103638702	6-13	103975012	5-9
102588601	6-11, 7-11	103638801	6-13	103978801	1-27
102594301	5-5, 5-7	103638901	1-3	103990503	1-3
102594801	5-9	103677101	1-55, 1-57	103990601	1-3
102594901	5-9	103679701	6-9, 7-9	104008001	1-37

INDEX

104008002	1-37	105315201	11-9	47568673001	1-51
104008003	1-37	47542195001	5-3	47568674001	1-51
104008501	1-39	47554725001	1-33	47568674002	1-51
104023421	1-25	47554736001	4-13	47568675001	1-51
104023422	1-25	47555159001	1-33	47568676001	1-51
104023425	1-25	47555159002	1-33	47568677001	1-51
104024501	11-3, 11-5	47559264001	1-67	47570463001	1-65
104024601	11-3, 11-5	47559264002	1-67	47570464001	1-45
104028901	11-3	47559265002	1-67, 4-13	47570464002	1-47
104029001	11-3, 11-5	47559268001	4-13	47570464003	1-49
105003601	11-3, 11-5	47560030001	8-17	47574958001	3-3
105003701	11-3, 11-5	47561477002	4-13	47574958004	3-3
105005001	8-15	47561635001	2-5	47575464001	1-35
105005402	1-21	47562652001	5-7	47576196001	6-17, 7-13
105049001	6-7, 7-7	47562748001	4-13	47576197001	7-13
105068001	4-11	47562947002	2-5	47576198001	7-13
105068002	4-11	47562947004	2-5	47576648001	7-13
105068201	11-7	47562951001	2-3, 2-5	47576649001	6-19, 7-15
105068202	11-7	47563300001	1-51	47576650001	6-19, 7-15
105068601	6-7, 7-7	47563300002	1-51	47576651001	6-19, 7-15
105082001	4-11	47563301001	1-51	47576652001	6-19, 7-15
105082002	4-11	47563302001	1-51	47576652002	6-19, 7-15
105093101	11-3	47563304001	1-51	47576796001	1-55, 1-57
105114804	8-7	47563305001	1-51	47576797001	1-55
105114807	8-7	47563306001	1-53	47576798001	1-55
105116301	5-9, 8-3	47563307001	1-53	47577554001	1-63
105146701	8-17	47564782001	1-51	47577555001	1-63
105187901	6-13	47564783001	1-51	47577556001	1-63
105188185	6-15, 6-17, 7-13	47564784001	1-51	47577557001	1-63
105188701	6-17, 7-13	47564785001	1-51	47577558001	1-63
105190701	4-13	47564786001	1-51	47577561002	1-5
105223321	1-25	47564787001	1-51	47577561004	1-5
105223322	1-25	47564787002	1-51	47577864001	6-19, 7-15
105223323	1-25	47564886021	1-53	47577865001	6-19, 7-15
105223327	1-25	47564886022	1-53	47578016001	1-5
105223328	1-25	47564886025	1-53	47578327001	1-51
105223329	1-25	47564887021	1-53	47578437001	1-35
105223421	1-27	47564887022	1-53	47579059001	1-31
105223422	1-27	47564887025	1-53	47579060001	1-31
105223423	1-27	47564888021	1-53	47579061001	1-31
105223427	1-27	47564888022	1-53	47579062001	1-31
105223428	1-27	47564888023	1-53	47579065001	1-31
105223429	1-27	47564888027	1-53	47579066001	1-31
105267301	3-3	47564888028	1-53	47579068001	1-31
105267401	3-3	47564888029	1-53	47579096001	6-15, 6-17, 7-13
105267501	3-3	47564889021	1-53	47579669001	1-9
105288901	1-69	47564889022	1-53	47579759001	1-57
105289701	1-55, 1-57	47564889023	1-53	47579760001	1-57
105291501	1-19	47564889027	1-53	47579985001	1-59
105299101	11-11	47564889028	1-53	47579986001	1-61
105299601	11-11	47564889029	1-53	47581051001	1-51
105300801	11-9	47565234007	4-3	47581126001	4-13
105307701	1-5	47565234008	4-3	47581127001	4-13
105313801	1-69	47566405001	7-11	47581128001	4-13
105314001	1-19	47566411001	7-11	47581129001	4-13
105314101	1-19	47568672001	1-51	47581130001	4-13

INDEX

47581131001	1-67, 4-13	47612316002	11-7	47632305001	8-15
47581132001	1-67, 4-13	47612317002	11-7	47633955001	4-7
47581133001	4-13	47612318002	11-7	47634203001	1-43
47581133002	4-13	47613414011	4-9	47634205001	1-43
47581134001	4-13	47614268001	8-7	47634205002	1-43
47581135001	4-13	47614736001	4-9	47634258001	8-13
47581430001	4-13	47614743001	8-7	47636253001	8-5
47582091001	5-7	47614744001	8-7	47637608001	11-3
47582268001	1-65	47614748001	8-15	47637882001	9-3
47582270001	1-59	47614749001	8-15	47639168001	11-3, 11-5
47582271001	1-61	47614753001	8-17	47639251001	11-9
47582821001	1-45, 1-47, 1-49	47614807001	8-7	47641038001	2-5
47582821002	1-45, 1-47, 1-49	47614808001	8-7	47641039003	2-5
47582822001	1-67	47616156001	11-9	47642666001	8-15
47583112001	1-45, 1-47, 1-49	47616157001	8-7	47643352001	4-17
47583296001	1-13	47616158001	8-7	47643352002	4-17
47583296002	1-13	47616611003	8-7	47644702001	8-5
47583297001	1-29	47617178001	11-7	47649254001	1-7
47583297002	1-29	47617178002	11-7	47649348001	10-3
47583666001	6-17	47617178003	11-7	47649352001	10-3
47584406001	4-13	47617894001	11-3	47649353001	10-3
47586040001	3-3	47617895001	11-5	47649354001	10-3
47586191001	3-3	47618743002	11-5	47649355001	10-3
47589609001	4-13	47618753001	8-7	47650176001	7-11
47589919301	1-29	47619337001	8-7	47652014001	1-19
47589919303	1-29	47620652001	3-3, 8-13	47653176001	9-3
47589919304	1-29	47620653001	8-15	47653176002	9-3
47589919306	1-29	47622531001	11-9	47653176003	9-3
47589919311	1-29	47622766001	9-3	47653531001	1-51
47589919323	1-29	47624326001	8-15	47653820001	1-15
47589919324	1-29	47624328001	3-3	47657816001	7-11
47589919326	1-29	47624651001	3-3	47657817001	7-11
47590808001	2-3, 2-5	47624755001	8-13	47659723010	2-5
47592393001	3-3	47624766001	1-51	47660254001	8-7
47592811001	1-51	47624985001	8-15	47661704001	8-7
47592812003	1-41	47625132001	2-3	47668395001	7-11
47594727001	4-15	47625132002	2-3	47672583001	8-9
47594888002	3-5	47627633003	1-13	47675944001	8-7
47599907001	6-17	47627633004	1-13	47678898001	2-3
47599908001	6-17	47627633006	1-13	47678898010	2-3
47603899001	7-13	47627633011	1-13	47678899001	2-3
47603900001	7-13	47627633058	1-13	47678899010	2-3
47605992001	8-7	47627633067	1-13	47678900001	2-3
47605993001	8-7	47627633068	1-13	47680239001	1-5
47606837001	11-7	47627633070	1-13	47686232002	1-25
47606837002	11-7	47628552001	11-5	47686233002	1-27
47609833001	8-13	47628717001	3-3	47686234002	1-53
47609834001	8-13	47628868001	11-5	47686235002	1-53
47609836001	8-13	47628936001	1-11	47696033001	8-15
47609838001	10-3	47628936002	1-11	47706373001	8-13
47610843001	8-13	47629428001	4-7	96704176	4-15
47610889001	8-15	47630830001	8-13		
47612314001	11-7	47631086001	8-5		
47612314002	11-7	47631793001	1-39, 1-41	A	
47612315002	11-7	47631793002	1-39, 1-41, 4-13	A-arm, three-piece	6-11
47612316001	11-7	47632116001	1-11	absorber, front shock	6-11, 7-11
				absorber, rear shock	6-15, 6-17, 7-13

INDEX

- AC cord 11-7
- accelerator pedal 5-9
- access panel 1-29
- armrest 1-25
- assembly
 - brake lever 5-3
- axle 10-3
- axle shaft oil seal 10-3
- axle tube 10-3
- B**
- backing plate, brake 5-3
- backrest 1-53
- backrest, beige 1-27
- backrest, black 1-27
- backrest, white 1-27
- bag hoop 1-27
- bag strap 1-27
- bag strap buckle 1-27
- ball joint, inner 6-9, 7-9
- ball, bearing 7-11
- barrel, plastic 1-11, 1-13, 1-27, 1-33, 1-51, 5-9
- Base, PDM 8-7
- basket 1-67
- Battery, Lithium, Gen 2 8-13
- Bearing 10-3
- bearing
 - ball 7-11
- bearing and oil seal remover 12-3
- bellows, steering 6-9, 7-9
- body
 - under 1-19
- body kick plate 1-21
- body kick plate (ele) 1-23
- boot, switch 8-11
- bottom, seat 1-53
- bracket
 - canopy support 1-39
 - clamshell 1-19
 - equalizer 5-5, 5-7
 - jounce bumper 7-13
 - shock mounting, drv 6-15
 - shock mounting, pas 6-15
- Bracket, DBR 8-5
- Bracket, Seat Back, Front, Top, CSMR 1-51
- brake adjusting mechanism 5-3
- brake backing plate 5-3
- brake cable 5-5, 5-7
- brake cluster 5-3
- brake drum 5-3
- brake lever 5-3
- brake pedal 5-9
- brake rod 5-9
- brake self-adjusting mechanism 5-3
- brake shoe 5-3
- brake spring 5-3
- breather 10-3
- brow 1-13
- brow cap 1-13
- buckle, bag strap 1-27
- bumper
 - drive unit (motor) 9-3
 - jounce 6-17, 7-13
 - rubber 1-31
- Bumper, Shock Plug 1-9
- bushing 6-11, 6-13, 6-19, 7-15
- urethane 6-15, 6-17, 7-13
- buzzer, reverse 4-9
- C**
- cable
 - brake 5-5, 5-7
- canopy 1-37, 1-45, 1-49
- canopy drain cover 1-37
- canopy handle 1-37
- canopy strut, front, lh 1-39, 1-41
- canopy strut, front, rh 1-39, 1-41, 4-13
- canopy support 1-39
- canopy support bracket, drv 1-27
- canopy support bracket, pas 1-27
- cap
 - dust 4-9
 - front hub 6-13, 7-11
 - key switch 4-11
- card, safety first 12-3
- case
 - gear 10-3
- charger bezel tool 12-3
- clamp
 - leaf spring 6-13, 7-11
- clamshell bracket 1-19
- clip
 - body trim 1-19, 1-29
 - clip, score card 6-3, 7-3
 - cluster, brake 5-3
- comfort grip steering wheel 6-3, 7-3
- comfort grip steering wheel kit 6-3, 7-3
- component mounting plate 8-15
- continuity tester 12-3
- cord reel 11-11
- cord, AC 11-7
- Cover 11-3
- cover
 - canopy drain 1-37
 - dust 5-3
- Cover, Canopy Support 1-39, 1-41, 4-13
- Cover, PDM 8-7
- cover, steering column 4-7
- cushion, shock absorber 6-15, 6-17, 7-13
- D**
- dash 1-17
- dash support assembly 1-3, 6-11
- decal 3-3
 - box bed warning 3-3
 - crush area warning 3-3
 - operating instructions 3-3, 6-3, 7-3
 - trailer hitch 1-35, 3-3
 - warning 3-3
 - water exposure 3-3
- differential gear 10-3
- differential housing 10-3
- drain channel 1-17
- drive unit bumper 9-3
- drum, brake 5-3
- dry moly lubricant 12-3
- dust cap 4-9
- dust cover 5-3
- dust seal 6-9, 7-9
- E**
- end, tie rod 6-9, 7-9
- equalizer 5-5, 5-7
- F**
- Fender 1-11
- fender
 - rear 1-33
- Fender, Front 1-11
- floor cover plate 5-9
- floor mat 1-19
- FNR housing 8-11
- fold down seat 1-51
- front hub 6-13
- front suspension structure 6-11, 7-11
- fuse, mini, 15A 8-7
- G**
- Gasket 9-3
- gasket
 - liquid 10-3, 12-3
 - plug 10-3
 - seat 1-25
- Gear 10-3
- gear
 - differential 10-3
 - differential idler 10-3
- gearcase 10-3
- grip, pencil 6-3, 7-3
- H**
- handle, canopy 1-37
- harness
 - Visage strut 4-13
- Harness, Lighting, Li-Ion 8-7

INDEX

- hinge 8-13
 - seat bottom 1-25
- hinge, seat bottom 1-25
- hip restraint 1-25
- hoop, bag 1-27
- housing
 - differential 10-3
- hub 6-13, 7-11
- hub cap 6-13, 7-11
- hub, front 6-13
- I**
- idler gear, differential 10-3
- inner ball joint 6-9, 7-9
- input shaft 10-3
- Insulation 1-19
- internal retaining ring pliers 12-3
- isolator, shock damper 6-15, 6-17, 7-13
- J**
- J-clip 1-3, 6-15
- jounce bumper 6-17, 7-13
- jounce bumper bracket 7-13
- K**
- key switch cap 4-11
- kick plate 1-21
- kick plate (ele) 1-23
- king pin 6-13
- Kit 1-5
- kit
 - ball joint, inner 6-9, 7-9
 - bellows, steering, sona 6-9, 7-9
 - brake cable 5-5
 - brake shoe retainer 5-3
 - canopy hardware 1-45, 1-47, 1-49
 - comfort grip steering wheel 6-3, 7-3
 - fenders, rear 1-33
 - front hub replacement 6-13, 7-11
 - SAM assembly 1-27
 - seat bottom 1-25
 - shock absorber 6-15
 - shock absorber cushion 6-15
 - shoe retainer 5-3
- Kit, Fenders 1-11
- Kit, Grill 1-7
- Kit, Speed Sensor 9-3
- Kit, Terminal Block 9-3
- knob, light switch 4-9
- L**
- leaf spring, rear 6-15, 6-17, 7-13
- light switch 4-9
- light switch knob 4-9
- liquid gasket 10-3, 12-3
- lubricant, dry moly 12-3
- lubricant, moly-teflon 12-3
- lug nut 2-3, 2-5
- lug stud 6-13, 10-3
- M**
- mat, floor 1-19
- MCOR 5-9, 8-3
- mechanism, brake adjusting 5-3
- meter, volt ohm 12-3, 12-5
- mirror 1-69
- moly-teflon lubricant 12-3
- motor bumper 9-3
- mounting plate, component 8-15
- N**
- nut
 - push 1-31
- P**
- paint, underbody (black) 12-3
- panel
 - access 1-29
 - SAM 1-27
- panhard 6-19, 7-15
- park brake release, anod 5-9
- pedal, accelerator 5-9
- pedal, brake 5-9
- pencil grip 6-3, 7-3
- pin
 - bow tie locking 5-5, 5-7
 - clevis 5-5, 5-7
 - king 6-13
- plate
 - backing (brake) 5-3
 - component mounting 8-15
 - floor cover 5-9
 - kick 1-21
 - kick(ele) 1-23
- pliers
 - internal retaining ring 12-3
 - retaining ring 12-3
- push nut 1-31
- R**
- rack and pinion 6-9, 7-9
- rear fenders 1-33
- rear underbody support 1-27
- reel cord 11-11
- reflector 1-13, 1-29, 1-51
- Relay 8-7
- release, anod park brake 5-9
- remover, bearing and oil seal 12-3
- Resistor, DBR 8-5
- retainer
 - brake shoe 5-3
 - shock absorber cushion 6-15, 6-17, 7-13
- retaining ring pliers 12-3
- reverse buzzer 4-9
- Rivet, Removable 1-29, 1-31
- rocker switch 8-11
- rod
 - brake 5-9
- rubber bumper 1-31
- S**
- safety first card 12-3
- SAM (structural accessory module) 1-27
- SAM assembly kit 1-27
- SAM panel 1-27
- score card clip 6-3, 7-3
- score card plate 6-3, 7-3
- seal
 - dust 6-9, 7-9
 - lip 10-3
 - oil 10-3
- seal, bulb 1-55, 1-57
- sealant 10-3
- seat back 1-53
- seat back, beige 1-27
- seat back, black 1-27
- seat back, white 1-27
- seat bottom 1-53
- seat bottom kit 1-25
- seat gasket 1-25
- seat hinge 1-25
- shaft
 - input 10-3
- Shaft Assy 10-3
- shield, debris aux 5-9
- shield, debris primary 5-9
- shock absorber (front) 6-11, 7-11
- shock absorber (rear) 6-15, 6-17, 7-13
- shock absorber cushion 6-15, 6-17, 7-13
- shock absorber cushion retainer 6-15, 6-17, 7-13
- shock damper isolator 6-15, 6-17, 7-13
- shock mounting bracket, drv 6-15
- shock mounting bracket, pas 6-15
- shoe retainer kit 5-3
- shoe, brake 5-3
- sleeve 6-11, 6-13, 6-15, 6-17, 6-19, 7-13, 7-15
- solenoid 8-15
- spindle 6-13, 7-11
- spring
 - brake 5-3
 - compression 6-3, 7-3
- spring, leaf, rear 6-15, 6-17, 7-13
- steering column cover 4-7
- steering wheel 6-3, 6-5, 7-3, 7-5
- steering wheel (comfort grip) kit 6-3, 7-3

INDEX

steering wheel puller tool 12-3, 12-5
strap, bag 1-27
strut, front canopy, lh 1-39, 1-41
strut, front canopy, rh 1-39, 1-41, 4-13
stud
 lug 6-13, 10-3
support, canopy 1-39
support, underbody, rear 1-27
suspension, front structure 6-11, 7-11
switch
 light 4-9
 rocker 8-11
 Tow/Run 8-11
switch rubber boot 8-11
switch, hazzard 8-17

T

Taillight 4-17
tester, continuity 12-3
three-piece A-arm 6-11
throttle, Gen2, no sensor 5-9
tie rod end 6-9, 7-9
tie rod extension 7-11
tie wrap 6-9, 7-9
tire 2-5
tool
 charger bezel 12-3
 steering wheel puller 12-3, 12-5
 transaxle pinion seal 12-3, 12-5
touch-up paint 12-3
Tow/Run switch 8-11
transaxle pinion seal tool 12-3, 12-5
trunk 1-31
Tuflok 1-29, 1-31

U

U-bolt 6-15, 6-17, 7-13
underbody 1-19
underbody support, rear 1-27
urethane bushing 6-15, 6-17, 7-13
USB
 port 8-17
USB port 8-17

V

valance 1-31
volt ohm meter 12-3, 12-5

W

wheel 2-5
 steering 6-3, 6-5, 7-3, 7-5
windshield channel 1-55, 1-57
wrap, tie 6-9, 7-9



Club Car, Inc.
P.O. Box 204658
Augusta, GA 30917-4658
USA

Web www.clubcar.com
Phone 1.706.863.3000
1.800.ClubCar
Int'l +1 706.863.3000
Fax 1.706.863.5808