



2020 Villager 2 Villager 4 and V4L IPL



**Gasoline Vehicle with Kohler ECH440 Engine
Electric Vehicle with ERIC Charger**

Manual Number 86753090027
Edition Code _D

USING THE ILLUSTRATED PARTS LIST

⚠ WARNING

- **This manual is to be used only for identification and ordering of service parts. Be sure to read and use the maintenance and service manual before attempting any vehicle repairs.**

The manual is divided into sections. Note that there are two or three flags on the outside edge of each page. The first flag contains the section number of which that page is a part. The other flag (or flags) contains the letter E or G, signifying that the page pertains to electric or gasoline vehicles.

Use the Table of Contents to find the sections and pages that contain the parts and assemblies you seek. The Table of Contents lists section numbers, and under them, the individual page titles and numbers to be found in that section. The index can be used to find specific parts and assemblies. The index is divided into numerical and alphabetical listings with the page numbers in italic text.

There is a two-page spread for each individual page title in the Table of Contents. On the left-hand page is an illustration showing the parts in their relative positions; the parts are each tagged with an item number in a balloon. The right-hand page is the parts list page, and gives the page title at the top, then the item numbers (corresponding to the numbers on the illustration), part descriptions, and quantity of parts used. Some item numbers have more than one part number because several configurations of a component are represented together on one spread.

Note that a part description may be indented. This indentation corresponds to a parts assembly level indicated by the numbers 1, 2, 3, and 4 at the top left corner of the parts description area of the parts list page. A part that is indented to *level 2* is a component of the *level 1* part (assembly) that it is listed under. A *level 3* part is a component of the *level 2* part that it is listed under, and a *level 4* part is a component of the *level 3* part preceding it. In each case, the part quantity given for a level 2, 3, or 4 part is *the quantity used per next higher level assembly of which it is a component*. A part that is not indented is a *level 1* part. This means that the quantity given is the quantity used per the portion of the vehicle illustrated on that particular spread.



P. O. Box 204658
Augusta, Georgia 30917-4658 USA
Telephone 706-863-3000
Service Parts Fax 706-855-7413
www.clubcar.com

HOW TO ORDER PARTS

Replacement parts and accessories can be obtained from our network of authorized dealers and distributors. You can obtain the name and phone number of your closest authorized Club Car dealer or distributor by visiting our web site at www.clubcardealer.com, by calling our toll-free Service Parts and Technical Assistance hotline at (800) 872-2246 or (706) 863-3000, extension 3887, or by scanning this Quick Response (QR) code to be taken to the Club Car dealer locator. **Refer to Figure 1.** Download a QR code reader such as RedLaser or Barcode Scanner to your cell phone or tablet.



Figure 1 Dealer Locator QR Code

CUSTOMER SATISFACTION SURVEY

Let your voice be heard!

Please take time to participate in the Technical Publications satisfaction survey. Obtaining feedback from our customers is important to the department's continuous improvement process. The online survey takes less than five minutes and responses will help the department to examine current performance as well as identify areas for future improvement.

Our top priority is to provide timely, accurate, and user friendly manuals.

The online satisfaction survey can be found at: <http://bit.ly/1w9uFMh>



Figure 2 Survey QR Code

NOTE: *This illustrated parts list represents the most current information at the time of publication. Club Car, LLC is continually working to further improve its vehicles and other products. These improvements may affect the parts used to service the vehicle. Any modification and/or significant change in specifications will be forwarded to all Club Car and Carryall distributors/dealers and will, when applicable, appear in future editions of this illustrated parts list.*

Club Car, LLC reserves the right to change specifications and designs at any time without notice and without the obligation of making changes to units previously sold.

Copyright © 2019 Club Car, LLC
Club Car, Precedent, Villager 2 and Surlyn
are registered trademarks of Club Car, LLC
This manual effective July 1, 2020.

2020 Villager 2 Villager 4 and V4L IPL

CONTENTS

SECTION 1 – BODY AND TRIM

Frame	1-3
Front Bumper	1-5
Front Body	1-7
Underbody Covers (Vehicle Without Canopy)	1-9
Dash	1-11
Floor Mat, Retainers, and Front Underbody	1-13
Kick Plate – Gasoline Vehicle	1-15
Kick Plate – Electric Vehicle	1-17
Seat Bottom with Hip Restraints	1-19
Backrest and Structural Accessory Module (SAM)	1-21
Rear Body	1-23
Canopy – White	1-25
Canopy – Beige	1-27
Canopy – Black	1-29
Canopy Struts	1-31
Visage Canopy Struts and Console	1-33
Four-Passenger Canopy with Rear Struts – Black	1-35
Four-Passenger Canopy with Rear Struts – White	1-37
Four-Passenger Canopy with Rear Struts – Beige	1-39
Front Strut Kit, Four-Passenger Canopy	1-41
Lifted Rear Seat, Frame and Foot Deck	1-43
Lifted Rear Seat	1-45
Non-Lifted Rear Seat, Frame and Footdeck – Fixed	1-47
Non-Lifted Rear Fold-Down Seat, Frame and Footdeck	1-49

SECTION 2 – WHEELS AND TIRES

Wheels and Tires – Non-Lifted	2-3
Wheels and Tires – Lifted	2-5

SECTION 3 – DECALS

Decals	3-3
--------------	-----

SECTION 4 – LIGHTS, CONTROLS AND INDICATORS

Headlights, Horn and Taillights – Precedent	4-3
Instrument Panel – Electric Vehicle with ERIC Charger	4-5
Instrument Panel – ECH440 Gas Vehicle	4-7
DC/DC Converter – Electric Vehicle	4-9

CONTENTS

Voltage Limiter – Gasoline Vehicle	4-11
Wiring and Switch – Visage	4-13

SECTION 5 – BRAKES AND PEDAL GROUP ASSEMBLIES

Rear Brakes, Self-Adjusting	5-3
Rear Brakes, Self-Adjusting – Gasoline Vehicles	5-5
Brake Cables and Equalizer Bracket	5-7
Pedal Group with Sensor – Gasoline Vehicle	5-9
Pedal Group w/o Sensor, Gasoline Vehicle	5-11
Pedal Group w/o MCOR – Electric Vehicle	5-13
Pedal Group with MCOR – Electric Vehicle	5-15

SECTION 6 – STEERING, FRONT AND REAR SUSPENSION

Steering Wheel	6-3
Steering Column	6-5
Steering Gear Assembly	6-7
Front Suspension, Upper	6-9
Front Suspension, Lower	6-11
Rear Suspension, Gasoline Vehicle	6-13
Rear Suspension, Electric Vehicle	6-15
Rear Suspension, Gasoline 4-Passenger – Consumer	6-17
Panhard Rod	6-19

SECTION 7 – STEERING, FRONT AND REAR SUSPENSION – LIFTED

Steering Wheel, Comfort Grip with Clip	7-3
Steering Wheel, Comfort Grip with Logo	7-5
Steering Column	7-7
Steering Gear Assembly	7-9
Front Suspension, Lifted	7-11
Rear Suspension, Lifted	7-13
Panhard Rod	7-15

SECTION 8 – ELECTRICAL SYSTEM – GASOLINE EFI

Accelerator Pedal w/Sensor and Stop Module	8-3
Wiring Harnesses and Fuses	8-5
Starter/Generator, Key and Pedal Start – EFI	8-7
Starter/Generator Mounting – ECH440	8-9
Battery, Solenoid, Voltage Regulator, Relay – EFI	8-11

CONTENTS

Maintenance/Operate Switch	8-13
USB Port Kit for Gas Vehicles	8-15
Forward/Reverse Shifter Switches – EFI	8-17

SECTION 9 – ENGINE (KOHLER ECH440)

Tune-Up Parts	9-3
Engine and Engine Mounting	9-5
Engine Pan and Snubber Mounting	9-7
Snubber Housing and Ground Wire	9-9
Blower Housing and Heat Shield – ECH440	9-11
Ignition Components and Flywheel – ECH440	9-13
Cylinder Head and Valve – ECH440	9-15
Crankcase and Piston – ECH440	9-17
Oil Sensor and Lubrication – ECH440	9-19
Crankshaft – ECH440	9-21

SECTION 10 – FUEL SYSTEM – EFI

Fuel Tanks	10-3
Fuel Pump and Fuel Filter Kits	10-5
Carbon Canister – EFI	10-7
Throttle Body and Mounting	10-9
Governor Bracket and Cover – EFI	10-11
Governor and Accelerator Cables – EFI	10-13
Air Intake Elbow – EFI	10-15
Air Filter System and Intake Hose – EFI	10-17

SECTION 11 – EXHAUST SYSTEMS – ECH440

Exhaust Systems	11-3
-----------------------	------

SECTION 12 – DRIVE BELT AND CLUTCHES – EFI GASOLINE VEHICLES

Drive Belts – EFI	12-3
Drive Clutch – Key-Start Vehicles	12-5
Drive Clutch – Pedal-Start Vehicles	12-7
Driven Clutch – Key Start and Pedal Start	12-9

SECTION 13 – TRANSAXLE, FUJI ED65

Forward/Reverse Shifter Assembly – EFI	13-3
Shifter Cable	13-5

CONTENTS

Shift Lever and Bracket – Pedal-Start Engines	13-7
Governor Arm and Brackets	13-9
Transaxle (ED65), Open – Page 1 of 3	13-11
Transaxle (ED65), Limited Slip and Open – Page 2 of 3	13-13
Transaxle (ED65), Open – Page 3 of 3	13-15
Hub, Rear	13-17
Differential Guard, ED65 – Gasoline Vehicle	13-19

SECTION 14 – ELECTRICAL SYSTEM – EXCEL WITH HIGH FREQUENCY CHARGERS

Motor Controller Output Regulator (MCOR)	14-3
Wiring and Fuses	14-5
Forward/Reverse Switch and Tow/Run Switch	14-7
Batteries and Battery Bucket, Non-Lifted	14-9
Batteries and Battery Bucket, Lifted	14-11
Single Point Watering System, 8V	14-13
Hand Pump and Deionizer (Battery-Powered Quality Light)	14-15
Controller, Solenoid and Wiring	14-17
USB Port Kit for Electric Vehicles	14-19
Ferrite Beads, CE	14-21

SECTION 15 – ELECTRIC MOTOR

Motor (Model EJ8-4001A) – Electric Vehicle	15-3
--	------

SECTION 16 – TRANSAXLE – ELECTRIC VEHICLES

Transaxle – Electric Vehicles	16-3
Differential Guard – Electric Vehicles	16-5

SECTION 17 – BATTERY CHARGERS – HIGH-FREQUENCY

JCI Battery Charger, High-Frequency – U.S./Canada	17-3
Trojan Battery Charger, High-Frequency – U.S./Canada	17-5
Battery Charger, High-Freq., 2.74 m DC Cord – Global	17-7
Battery Charger, High-Freq., 3.66 m DC Cord – Global	17-9
Battery Charger, High-Freq., 6.1 m DC Cord – Global	17-11
Cords – Battery Charger, High-Frequency	17-13
JCI Battery Charger, High-Frequency – Onboard – Fixed Rear Seat	17-15
Trojan Battery Charger, High-Frequency – Onboard – Fixed Rear Seat	17-17
JCI Battery Charger, High-Frequency – Onboard (Fold-Down Rear Facing Seat)	17-19
Trojan Battery Charger, High-Frequency – Onboard (Fold-Down Rear Facing Seat)	17-21

CONTENTS

SECTION 18 – MAINTENANCE AND SERVICE TOOLS

Maintenance and Service Tools	18-3
Maintenance and Service Tools, Continued	18-5
Maintenance and Service Tools, Continued	18-7
Maintenance and Service Tools, Continued	18-9
Maintenance and Service Tools, Continued	18-11

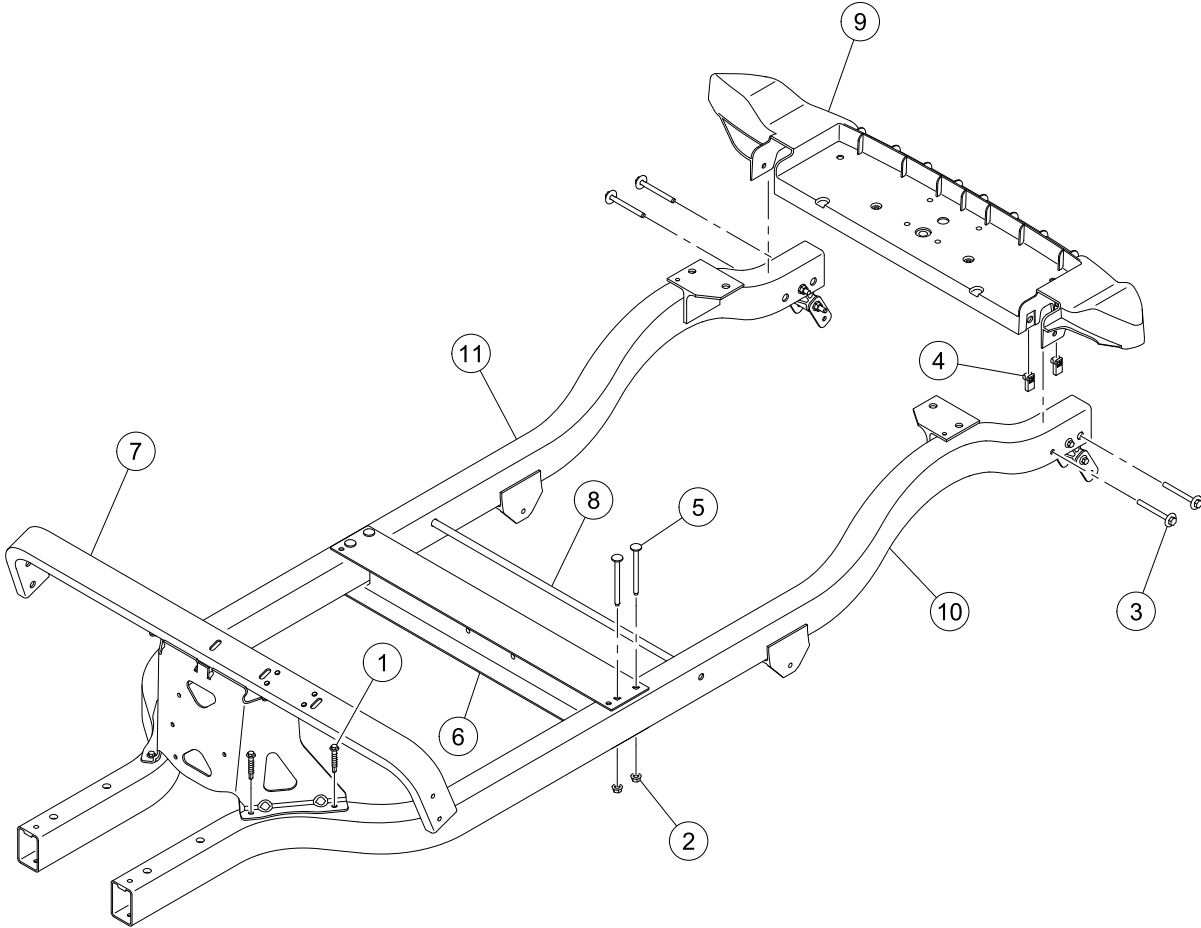
SECTION i – INDEX

BODY AND TRIM

1

G

E

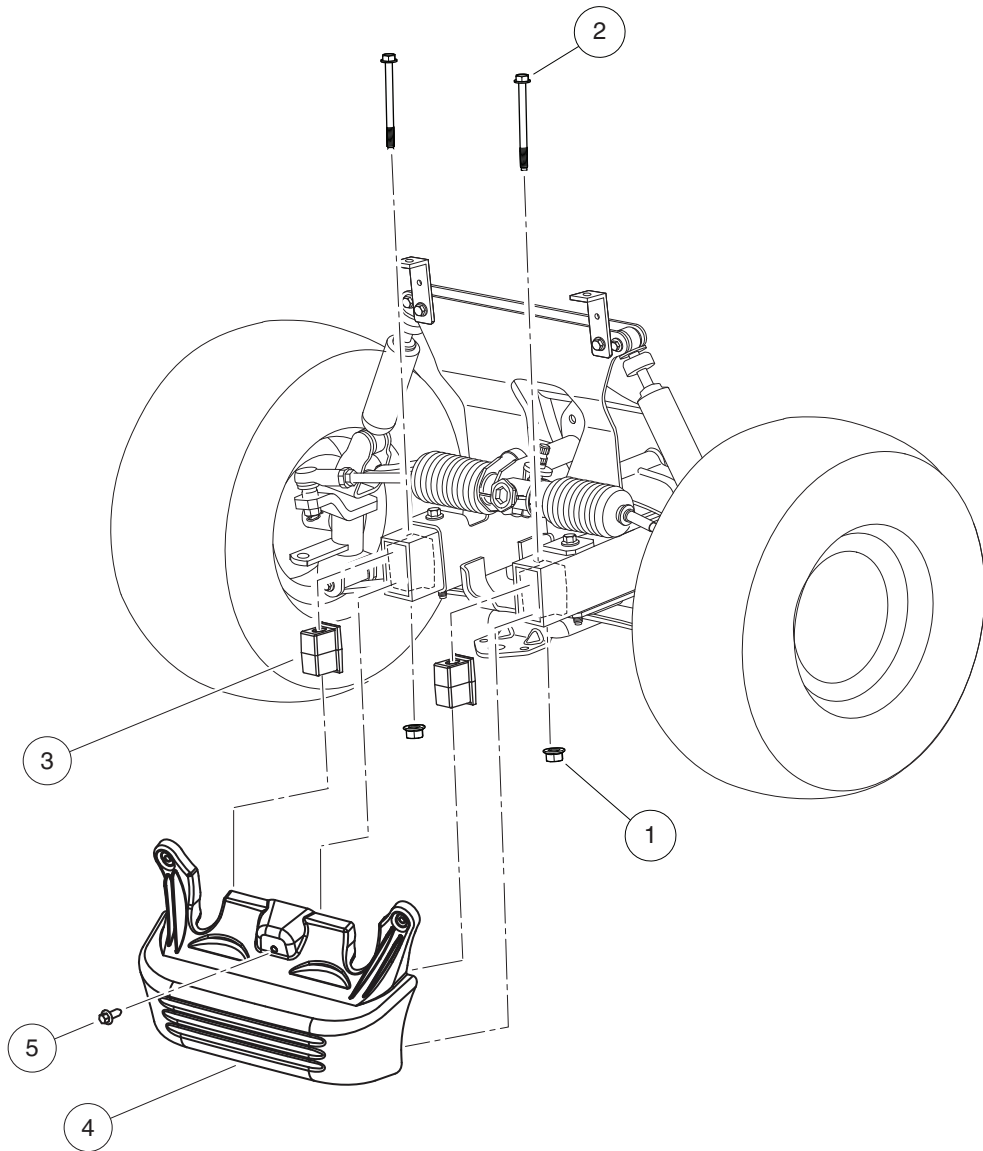


G-010099-000004

FRAME

ITEM	PART NO.	DESCRIPTION	QTY
		1 2 3 4	
1	102292101	Screw-5/16 X 1.5 Tek	4
2	102298401	Nut,m8,all Metal Lock	4
3	102298580	M8-1.25 X 80 Sems	4
4	102298601	J-clip - M8 X 1.25	4
5	102298995	Bolt, Wafer Head, M8-1.25x95	4
6	102505401	Xmbr-middle	1
7	102505701	Assembly, Dash Support	1
8	103638901	Rod, .5 Od X 26.26	1
9	103926603	Rear Cross Member, Csmr, Sp	1
10	103990503	Weldment, Frame, Csmr, Driver-side	1
11	103990601	Weldment, Frame, Passenger-side	1
<p>Note: Item 8 applies to electric vehicles only.</p>			

1
G
E



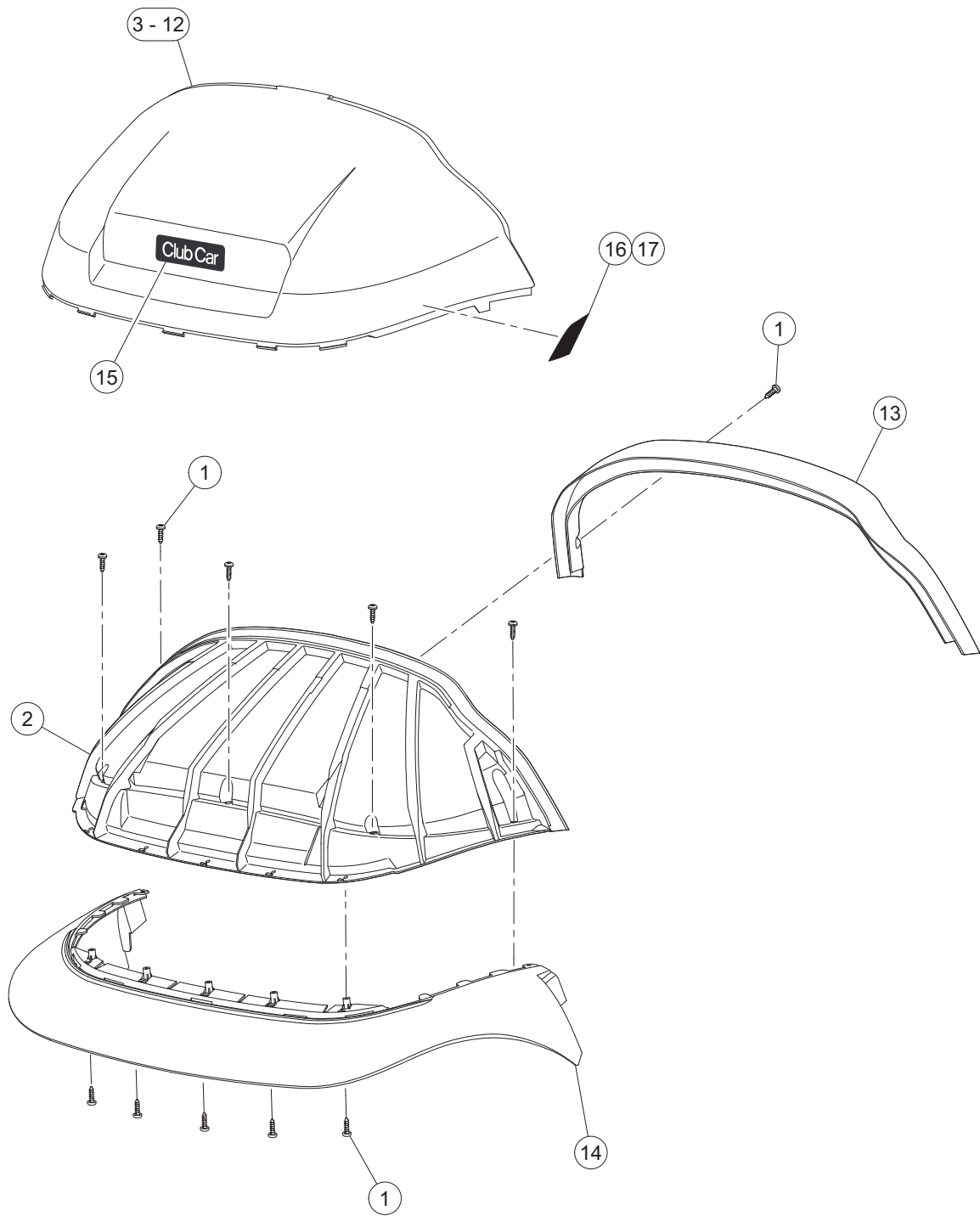
001299-001

FRONT BUMPER

ITEM	PART NO.	DESCRIPTION	QTY
		1 2 3 4	
1	102298401	Nut,m8,all Metal Lock	2
2	102534201	Bolt - Fl Hd, M8 X 95	2
3	103325001	Plug, Shock, Bumper	2
4	103923601	Bumper, Prec Fleet, W/light	1
5	47579669001	Screw, 3/8 Hex & Hex Washer Hd	1

1
G
E

1
G
E



G-140299-000008

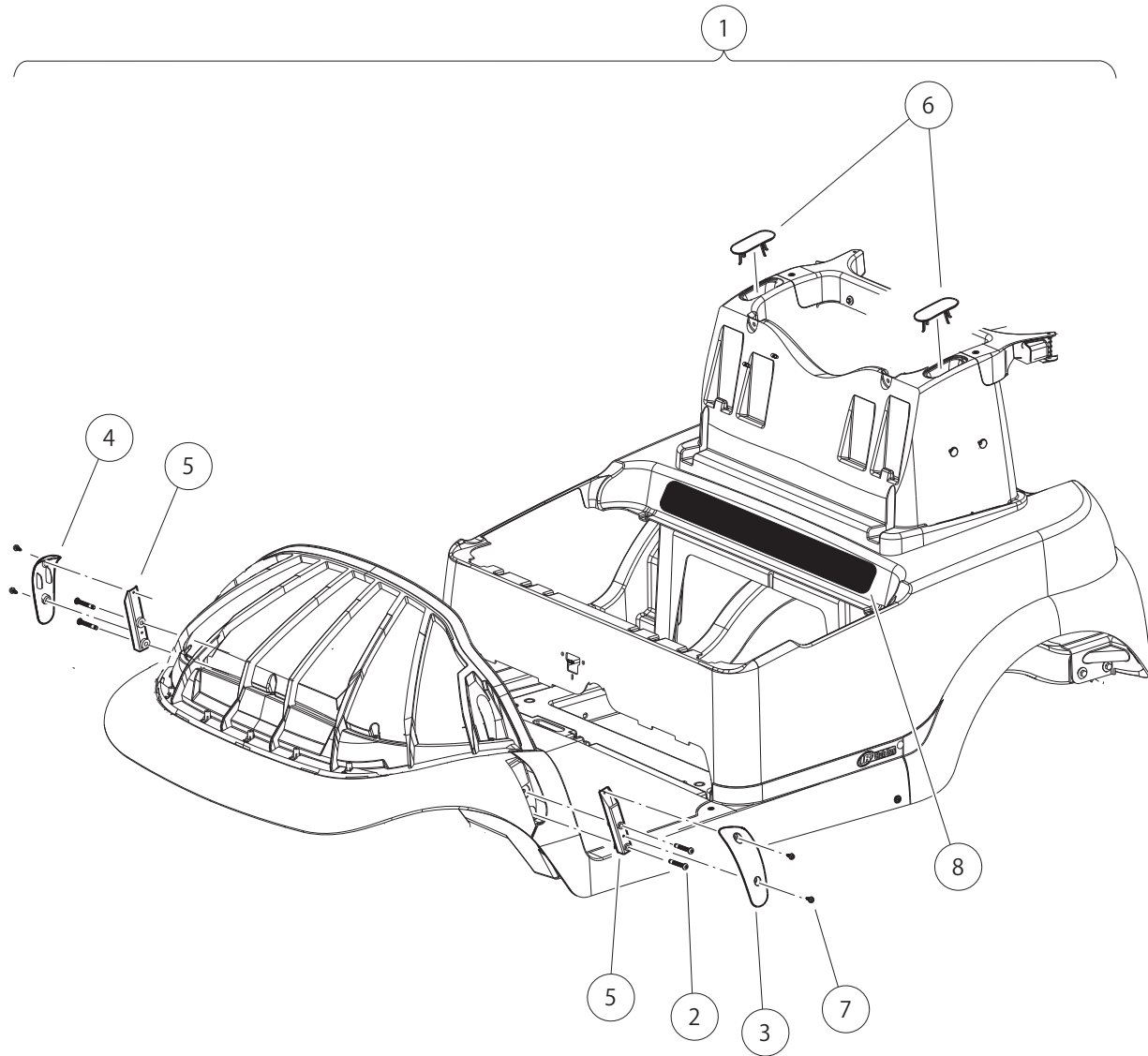
FRONT BODY

ITEM	PART NO.	DESCRIPTION	QTY
		1 2 3 4	
1	102296020	Screw, Torx Pan Hd Pt, M6 X 20	14
2	102501501	Brow	1
3	102502401	Panel, Beauty Front, White	1
4	102502409	Panel, Beauty Front, Black	1
5	102502415	Panel-beauty Front, Sapphire	1
6	102502416	Panel-beauty Front, Platinum	1
7	102502419	Panel-beauty Front, Sangria	1
8	102502451	Panel Front, Metallic Platinum	1
9	102502452	Panel Front, Candy Apple Red	1
10	102502453	Panel Front, Metallic Sapphire	1
11	102502458	Panel Front, Metallic Black	1
12	102502461	Panel Front, Metallic Glacier	1
13	102502501	Brow Cap	1
14	102534404	Fascia, Blk	1
15	102883602	Decal, Nameplate, Csmr	1
16	47583296001	Reflector, Front, Csmr, Driver-side	1
17	47583296002	Reflector, Front, Csmr, Passenger-side	1
		<p>Note: For current or additional color options contact your local Club Car dealer or distributor.</p>	

1

G

E

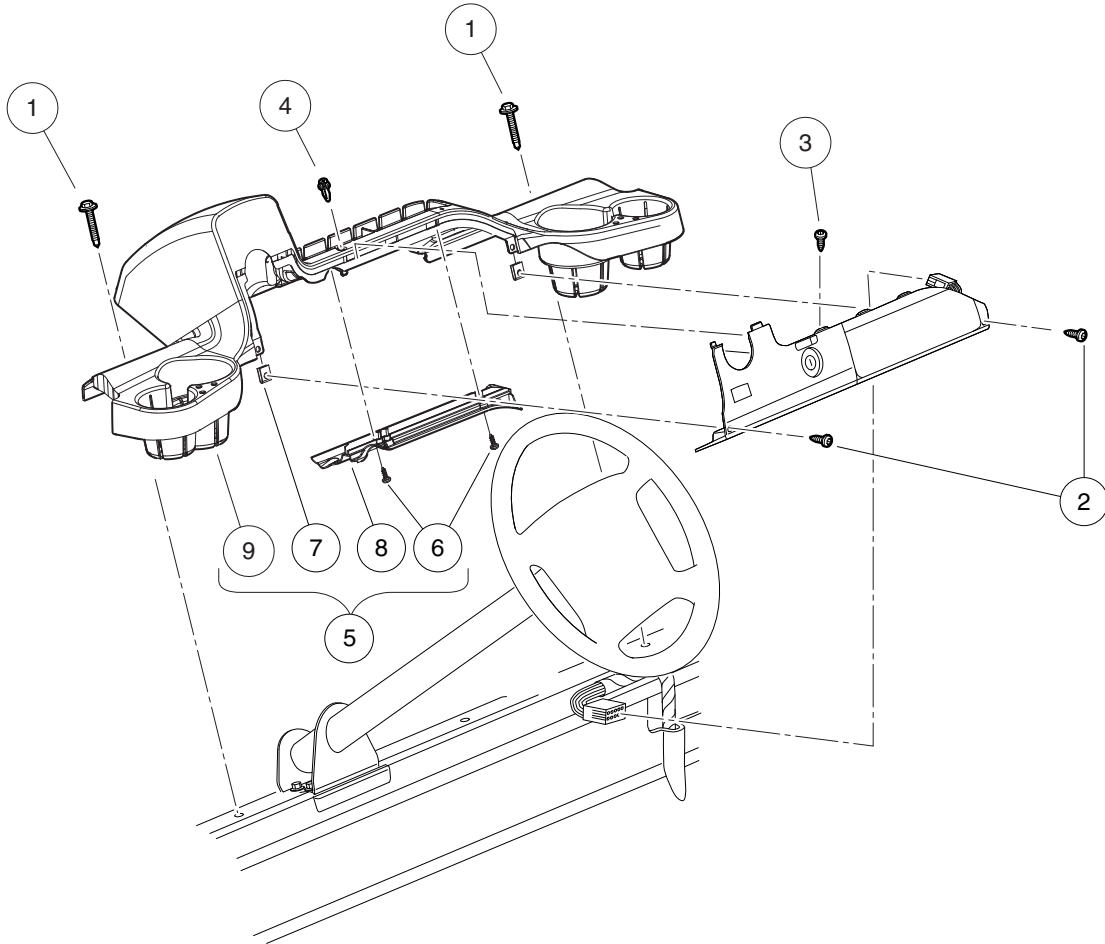


000730-007

UNDERBODY COVERS (VEHICLE WITHOUT CANOPY)

ITEM	PART NO.	DESCRIPTION	QTY
		1 2 3 4	
1	102543902	Kit, Underbody Cover, Black (includes items 2 through 7)	1
2	102299065	M8-1.25 X 65 Tx Bttn Hd Bolt	4
3	102400202	Cover, Lh Non-canopy, Blk	1
4	102400302	Cover, Rh Non-canopy, Blk	1
5	N/A	Support, Strut Cover	2
6	N/A	SAM Cap	2
7	102544201	Screw, M6 Hex	4
8	47652014001	Insulation, Rear Underbody	1
<p style="margin-left: 40px;">Note: Underbody insulation item 8 is not part of the underbody kit. Order seperately.</p>			

1
G
E



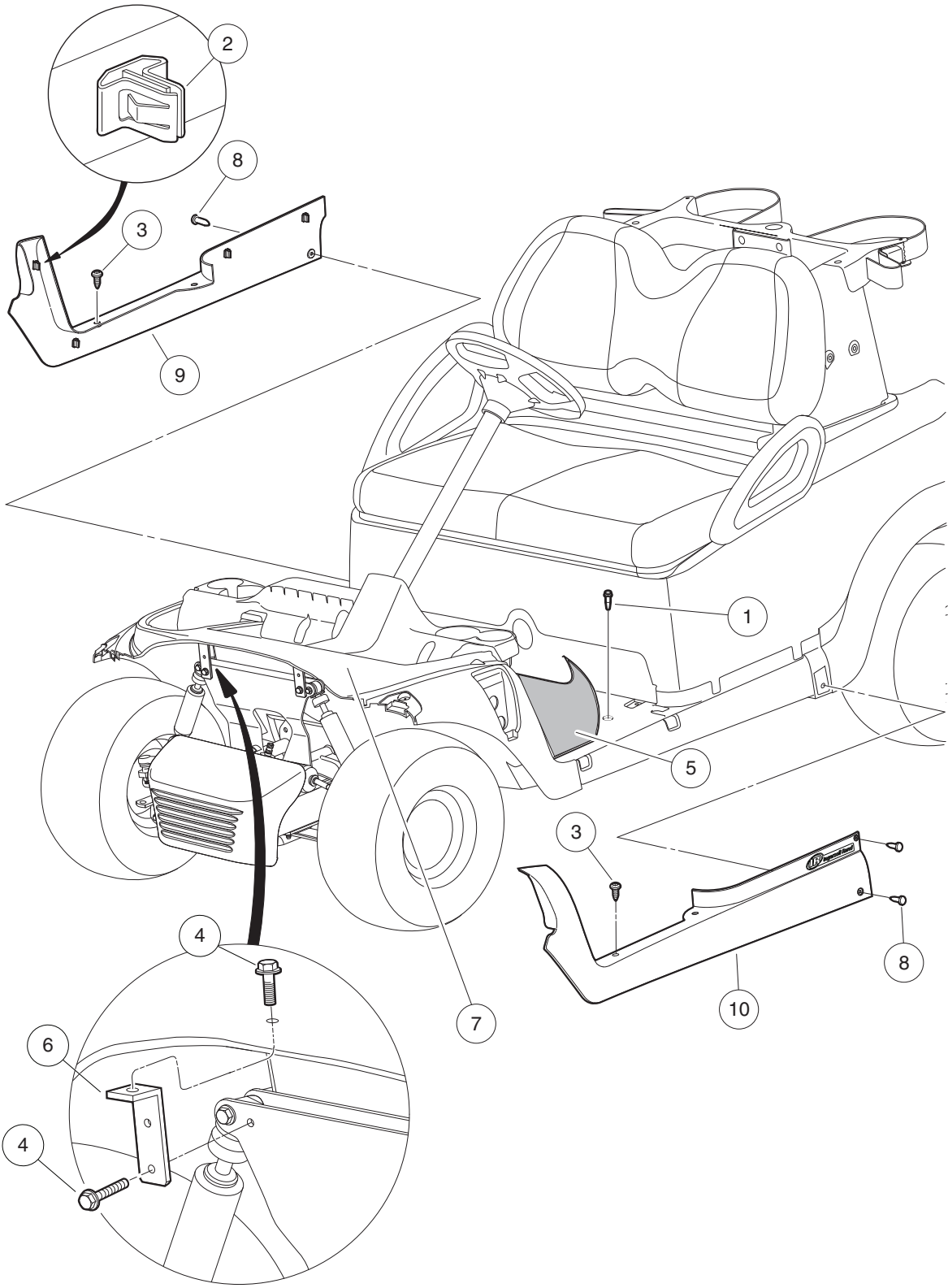
000438-003

DASH

ITEM	PART NO.	DESCRIPTION	QTY
		1 2 3 4	
1	102292356	Screw-1/4-20x56 Hwh Self Drill	2
2	102296819	Screw-M6 x 19	2
3	102557201	Screw, #6-20 Type Abx1.00 Pan	1
4	102915601	Plastic Rivet - Tuflock	1
5	103402701	Dash Assembly (includes items 6 through 9)	1
6	N/A	Screw-torx Pan Hd Pt,m6 X 16	2
7	102297001	U-nut, 1/4" Type Ab	2
8	N/A	Drain Channel - Dash	1
9	N/A	Dash	1

1
G
E

1
G
E

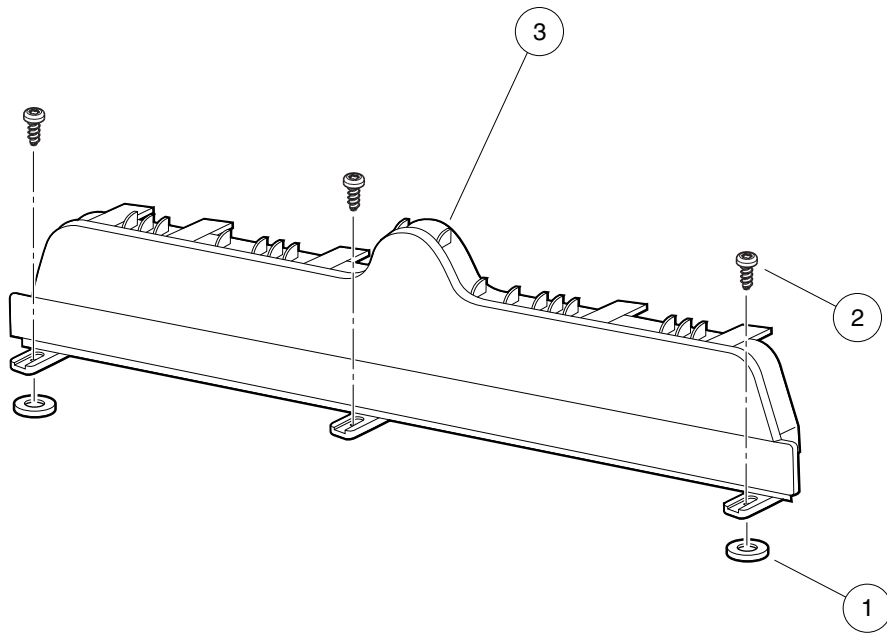


000497-007

FLOOR MAT, RETAINERS, AND FRONT UNDERBODY

ITEM	PART NO.	DESCRIPTION	QTY
		1 2 3 4	
1	102292356	Screw-1/4-20x56 Hwh Self Drill	3
2	102292701	Clip-body-trim	8
3	102298020	Screw, K80x20, Torx Pn Hd Pt	4
4	102298716	M8-1.25x16 Taptite	4
5	102504802	Floormat	1
6	102521901	Bracket-clamshell	2
7	103635201	Underbody, Front, One Piece	1
8	105291501	Rivet, Plastic Tuflok, 8mm	4
9	105314001	Floormat Retainer, Passenger-side, Black	1
10	105314101	Floormat Retainer, Driver-side, Black	1
		Note: Item 7 is a special order item available upon request.	

1
G
E

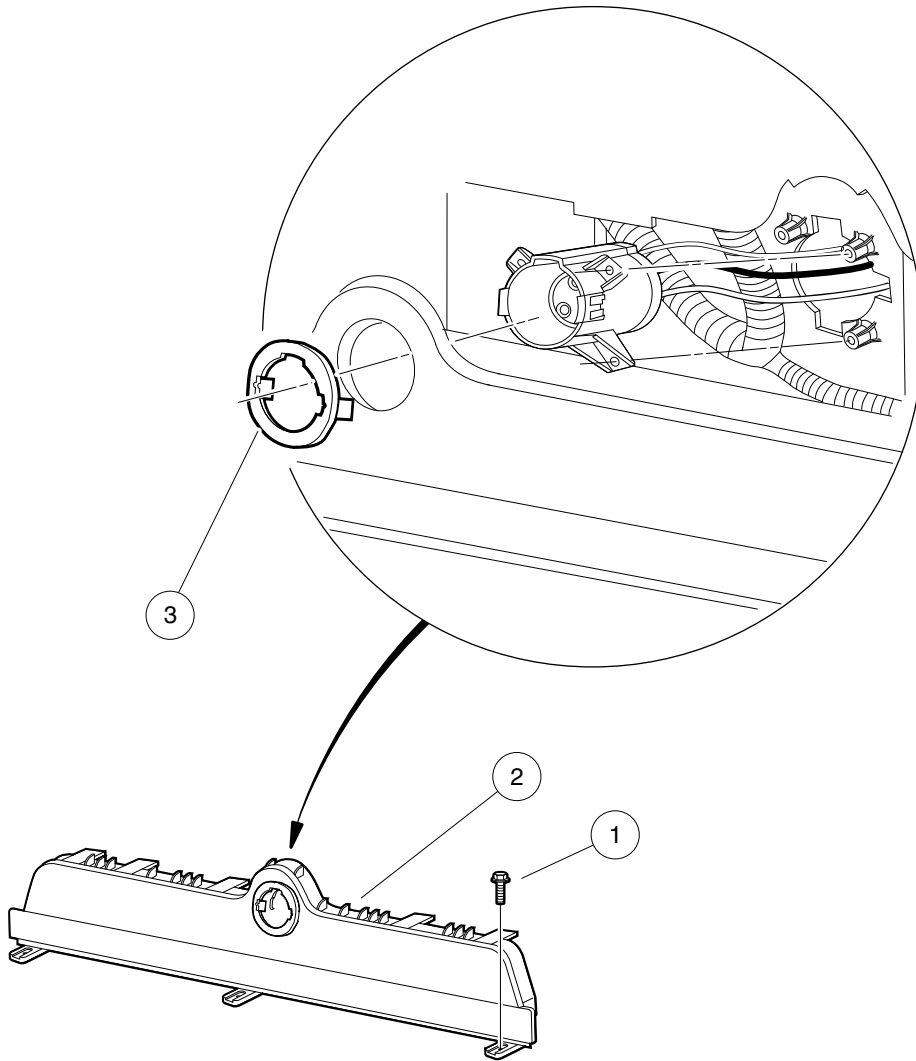


001059-001

KICK PLATE – GASOLINE VEHICLE

ITEM	PART NO.	DESCRIPTION	QTY
		1 2 3 4	
1	1012571	Washer, 5/16 Extra Thick Flat	2
2	102298020	Screw, K80x20, Torx Pn Hd Pt	3
3	105005402	Plate, Kick, Black	1

1
G
E



000500-003

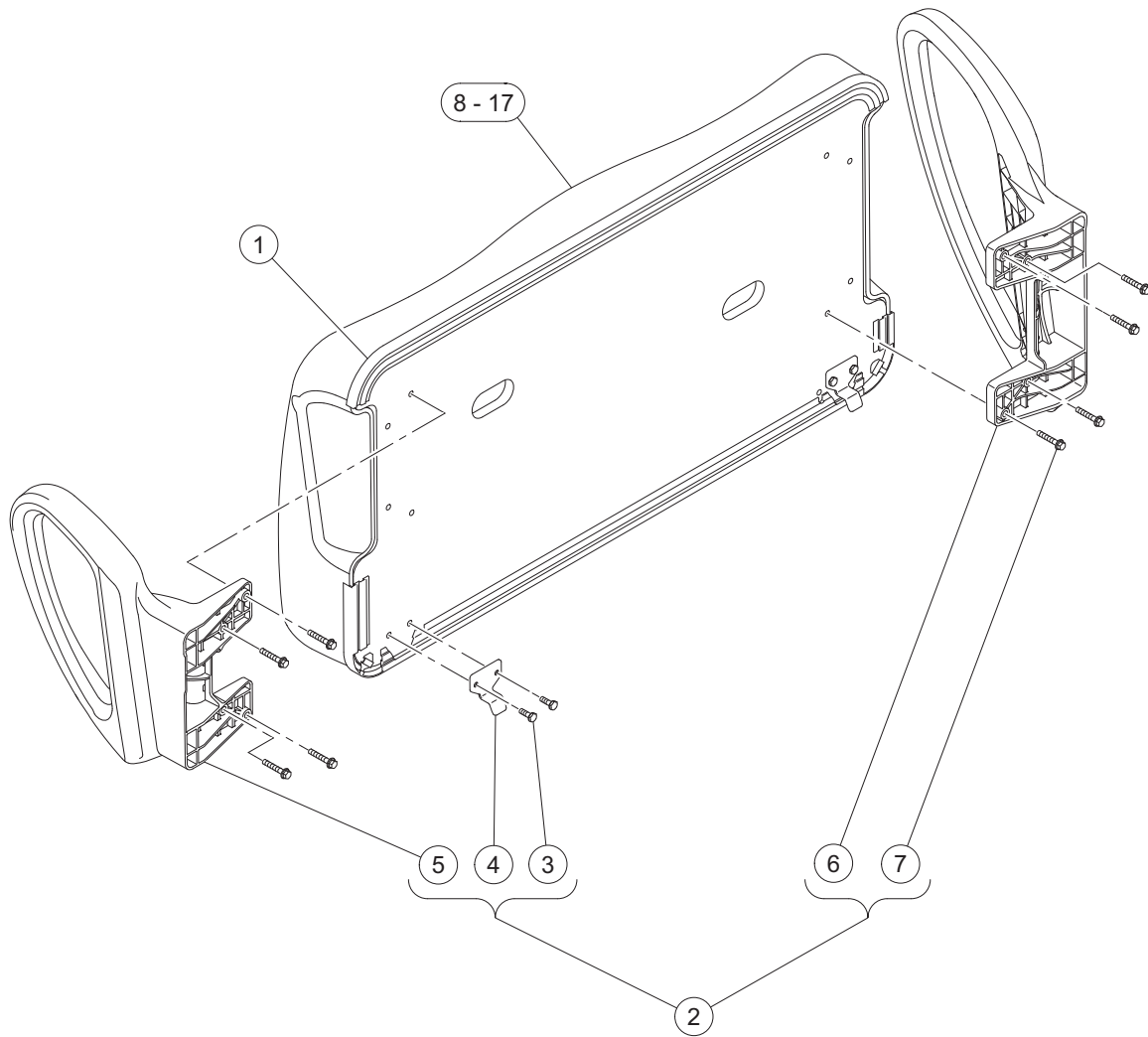
KICK PLATE – ELECTRIC VEHICLE

ITEM	PART NO.	DESCRIPTION	QTY
		1 2 3 4	
1	102298030	Screw, K80x30, Torx Pn Hd Pt	3
2	102508202	Plate - Electric Kick Blk	1
3	102516901	Socket Trim	1

1

G

E



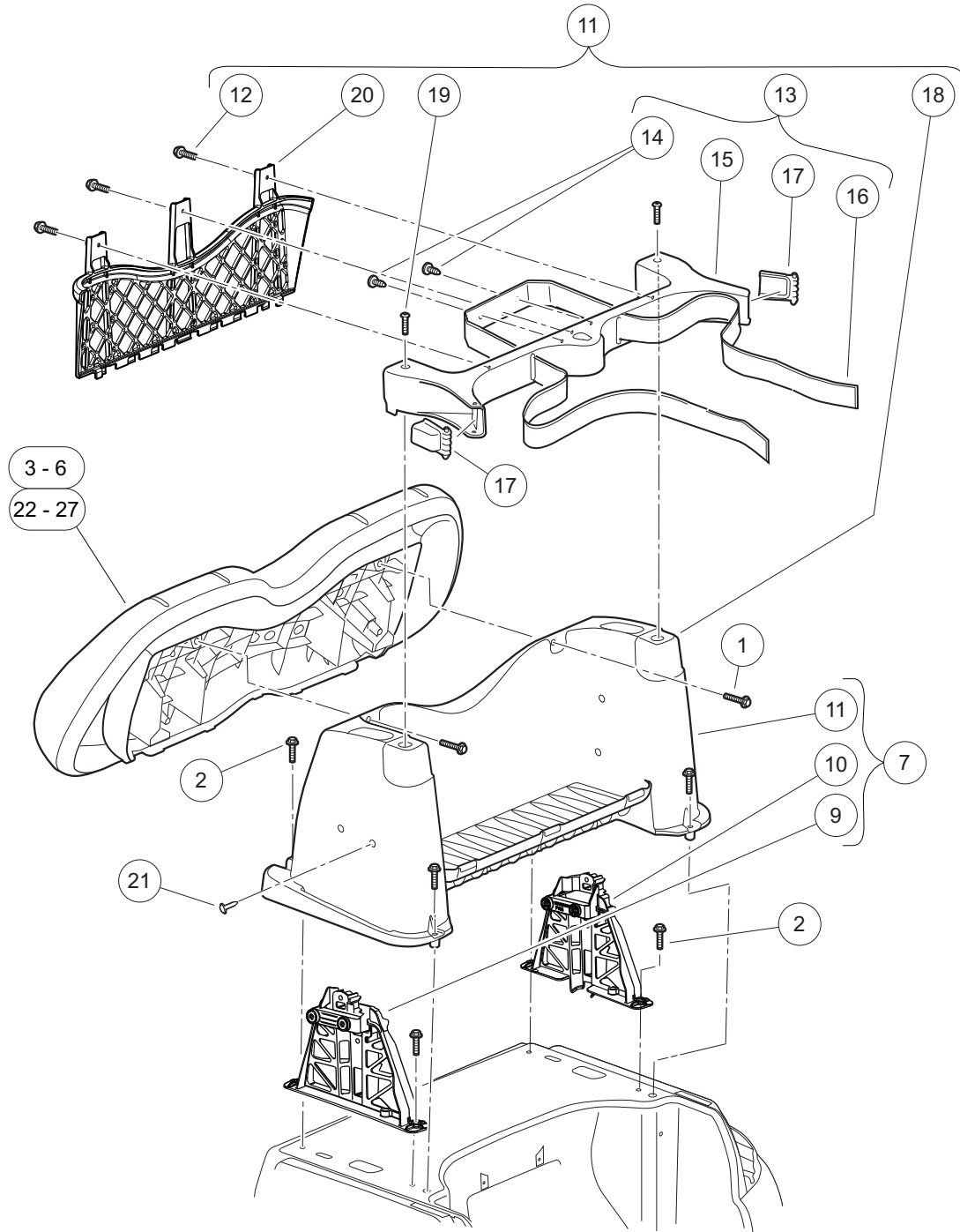
G-140699-000029

SEAT BOTTOM WITH HIP RESTRAINTS

ITEM	PART NO.	DESCRIPTION	QTY
		1 2 3 4	
1	101998501	Gasket, Seat	1
2	103833901	Kit, Seat Bottom (includes items 3 through 7)	1
3	101954301	Screw, 1/4-20 X 0.75 Hex-Head Cap	4
4	103832901	Hinge, Seat Bottom	2
5	103833601	Hip Restraint, Drv	1
6	103833701	Hip Restraint, Pas	1
7	103833801	1/4-20 X 1.5 Hex Flg Patch	8
8	104023421	Seat Bottom Asm, Beige, Service Replacement	1
9	104023422	Seat Bottom Asm, White, Service Replacement	1
10	104023424	Seat Bottom Asm, Gray, Service Replacement	1
11	104023425	Seat Bottom Asm, Black, Service Replacement	1
12	105223321	Seat Bottom Asm, Premium, Light Beige, Service Replacement	1
13	105223322	Seat Bottom Asm, Premium, Camello, Service Replacement	1
14	105223323	Seat Bottom Asm, Premium, Off-White, Service Replacement	1
15	105223327	Seat Bottom Asm, Premium, Black, Service Replacement	1
16	105223328	Seat Bottom Asm, Premium, Black/Gray, Service Replacement	1
17	105223329	Seat Bottom Asm, Premium, Gray, Service Replacement	1
<p>Note: Item 1 is supplied with all seat bottom assemblies and may be procured seperately. For current or additional seat color options contact your local Club Car dealer or distributor.</p>			



1
G
E



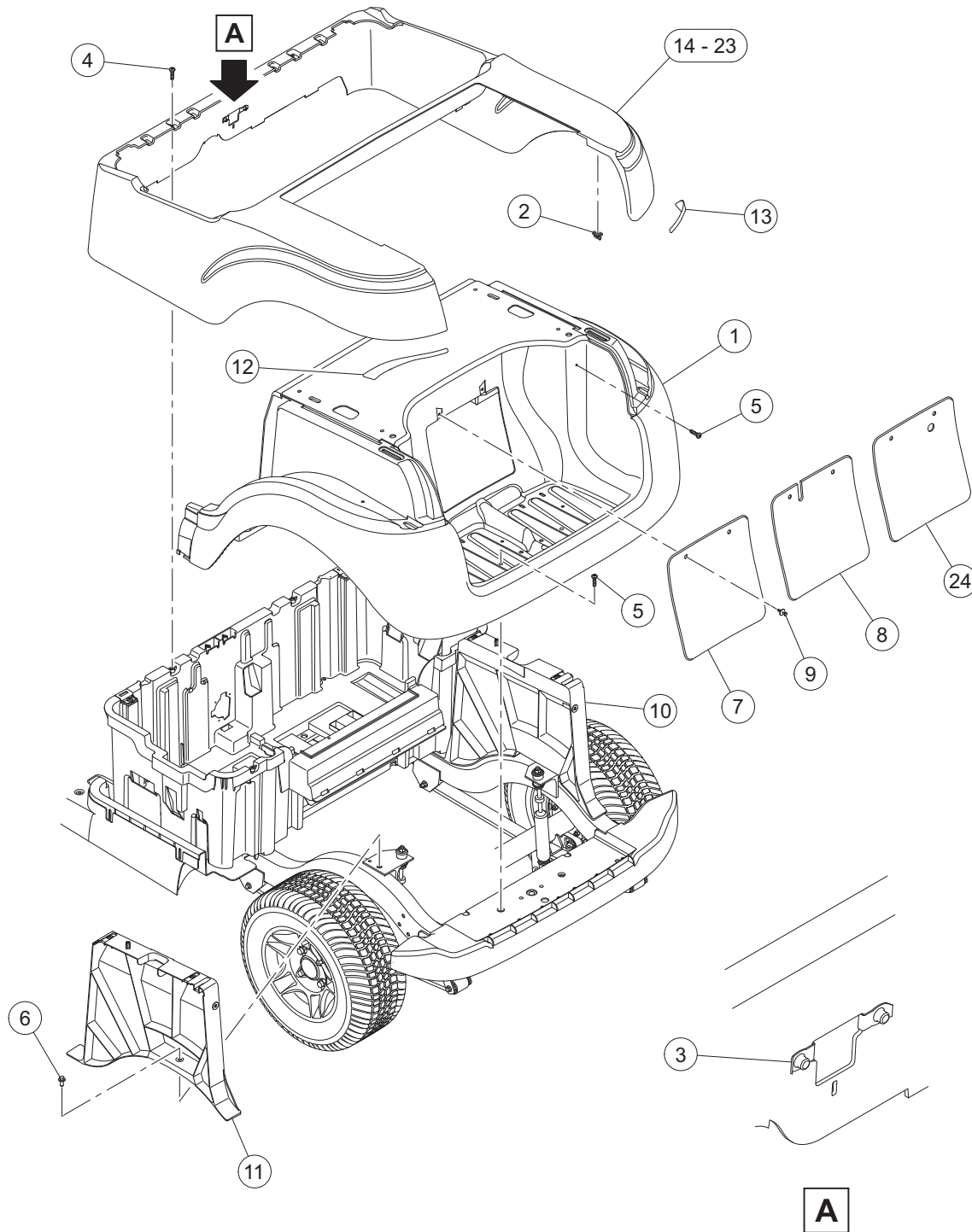
000435-018

BACKREST AND STRUCTURAL ACCESSORY MODULE (SAM)

ITEM	PART NO.	DESCRIPTION	QTY
		1 2 3 4	
1	102296530	Screw - M6 X 1.0 X 30 Sems	2
2	102298250	Bolt-flange Hd, M8 X 50.0	6
3	103853121	Asm, Seat Back, Beige, Service Replacement	1
4	103853122	Asm, Seat Back, White, Service Replacement	1
5	103853124	Asm, Seat Back, Gray, Service Replacement	1
6	103853125	Asm, Seat Back, Black, Service Replacement	1
7	103952901	Kit, S.A.M. Assembly (includes items 8 through 11)	1
8	102297230	Screw, M6, Torx, Interlock Thread	4
9	103929301	Support- Canopy, Drv	1
10	103929302	Support- Canopy, Pass	1
11	N/A	Asm, S.A.M. (includes items 12 through 20)	1
12	102297230	Screw, M6, Torx, Interlock Thread	3
13	102504001	Asm, Bag Hoop (includes items 14 through 17)	1
14	1010434	Barrel - Plastic	2
15	102504201	Hoop-bag	1
16	102504301	Strap, Bag	1
17	102517001	Buckle-bag Strap	2
18	N/A	Structural Accessory Module (S.A.M.)	1
19	103327601	Screw, 5/16, Torx, Bosscrew	2
20	103699401	Panel, S.A.M., Prec	1
21	103978801	Barrel-push 6mm	4
22	105223421	Asm, Seat Back, Premium, Lt. Beige, Service Replacement	1
23	105223422	Asm, Seat Back, Premium, Camello, Service Replacement	1
24	105223423	Asm, Seat Back, Premium, Off-White, Service Replacement	1
25	105223427	Asm, Seat Back, Premium, Black, Service Replacement	1
26	105223428	Asm, Seat Back, Premium, Black/Gray, Service Replacement	1
27	105223429	Sp,asm,prem Seat Back,gray	1
<p>Note: For current or additional seat color options contact your local Club Car dealer or distributor. Screws (item 8) not shown. These are four new screws to replace those used to attach accessory mounting brackets to SAM (item 18).</p>			



1
G
E

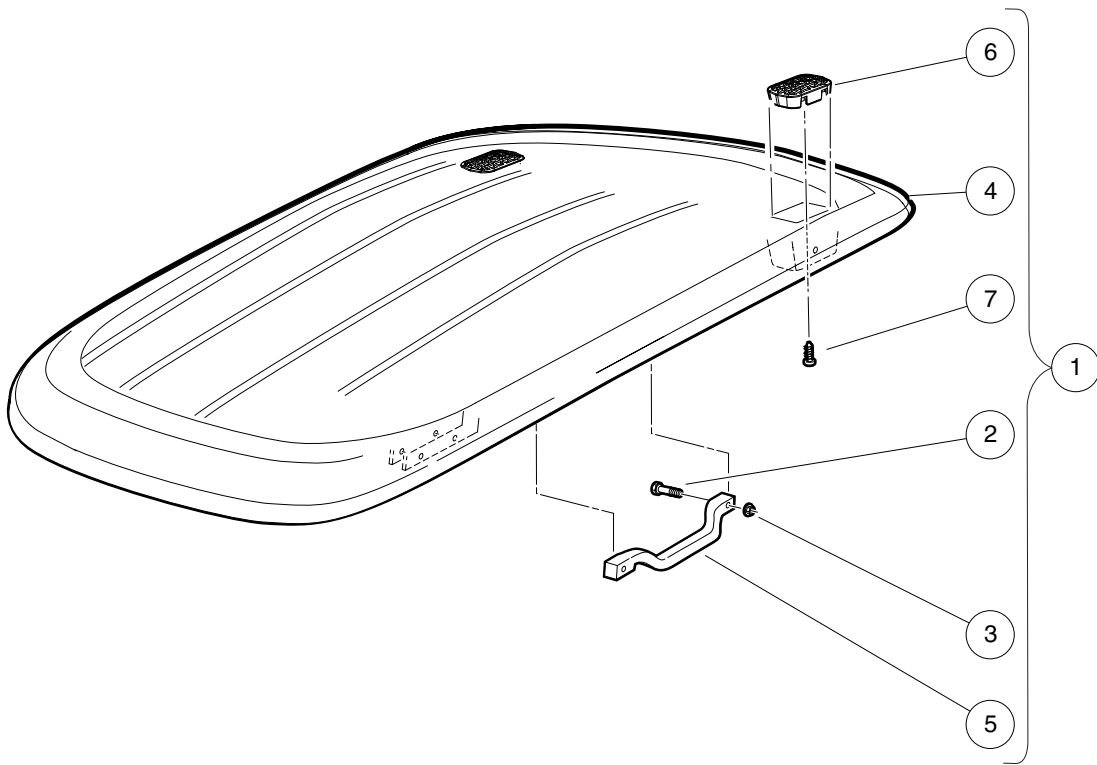


G-140299-000009

REAR BODY

ITEM	PART NO.	DESCRIPTION	QTY
		1 2 3 4	
1	102279106	Underbody, Rear, Common	1
2	102292701	Clip-body-trim	2
3	102296601	U-Nut, M6-1.0, Prevailing Torque	2
4	102297230	Screw, M6, Torx, Interlock Thread	4
5	102298030	Screw, K80x30, Torx Pn Hd Pt	4
6	102298716	M8-1.25x16 Taptite	2
7	102501402	Panel, Access, Black	1
8	102501403	Panel, Access, Black, with Punched Hole	1
9	102967901	Rivet, Removable, Tuflok 1/4"	2
10	103812901	Asm, Rear Underbody Support, Passenger-side	1
11	103813001	Asm, Rear Underbody Support, Driver-side	1
12	47583297001	Reflector, Rear, Csmr, Driver-side	1
13	47583297002	Reflector, Rear, Csmr, Passenger-side	1
14	47589919201	Pnl, Bty, Rr, White, Sp	1
15	47589919203	Pnl, Bty, Rr, Platinum, Sp	1
16	47589919204	Pnl, Bty, Rr, Sangria, Sp	1
17	47589919207	Pnl, Bty, Rr, Sapphire, Sp	1
18	47589919208	Pnl, Bty, Rr, Black, Sp	1
19	47589919301	Pnl, Bty, Rr, Mt Glacier, Sp	1
20	47589919302	Pnl, Bty, Rr, Mt Platinum, Sp	1
21	47589919303	Pnl, Bty, Rr, Mt Cndy Apl, Sp	1
22	47589919305	Pnl, Bty, Rr, Mt Sapphire, Sp	1
23	47589919306	Pnl, Bty, Rr, Mt Black, Sp	1
24	SVP915201	Panel-access-lite Hole Cut Out	1
<p>Note: For current or additional color options contact your local Club Car dealer or distributor.</p>			

1
G
E

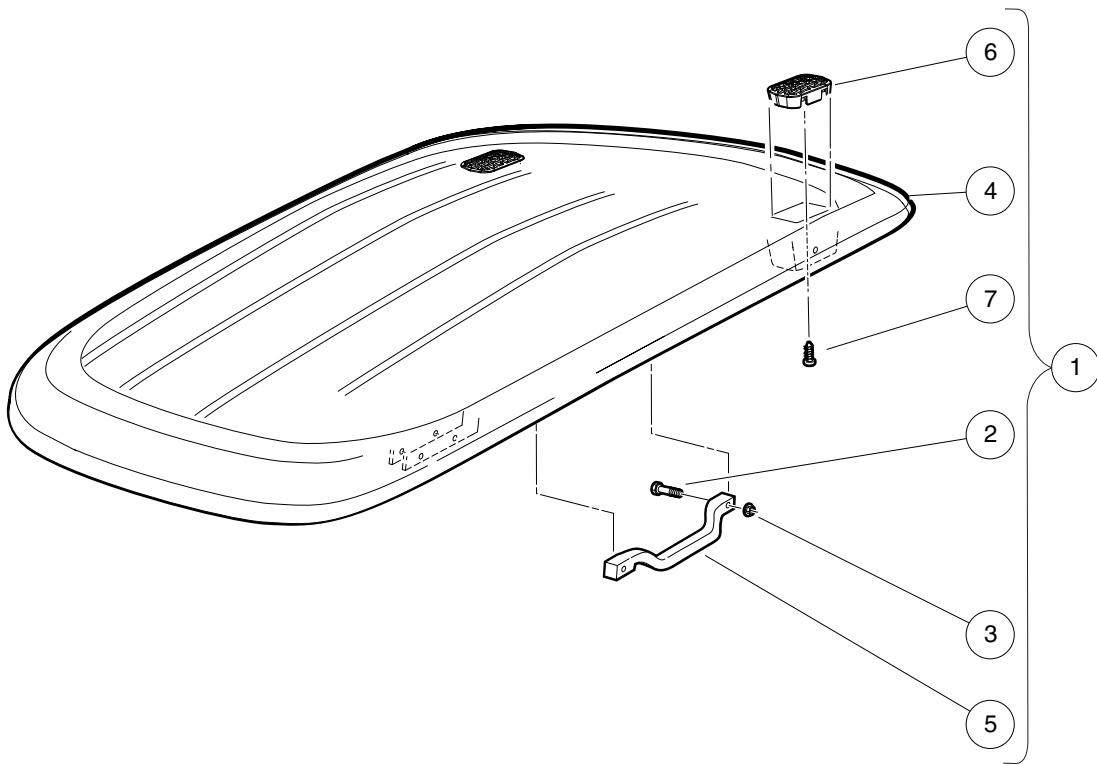


000439-009

CANOPY – WHITE

ITEM	PART NO.	DESCRIPTION	QTY
		1 2 3 4	
1	104008001	Asm, Canopy W/handles, White (includes items 2 through 7)	1
2	102296140	Bolt, Flanged Head, M6x1.0x40	4
3	102296401	Nut, M6x1.0, Flange, Metal Lock	4
4	102508901	Canopy-white	1
5	102511601	Handle, Canopy (White)	2
6	103205101	Cover, Drain, Canopy	2
7	103210101	Screw, #8 X.75, Torx, Tapping	2

1
G
E

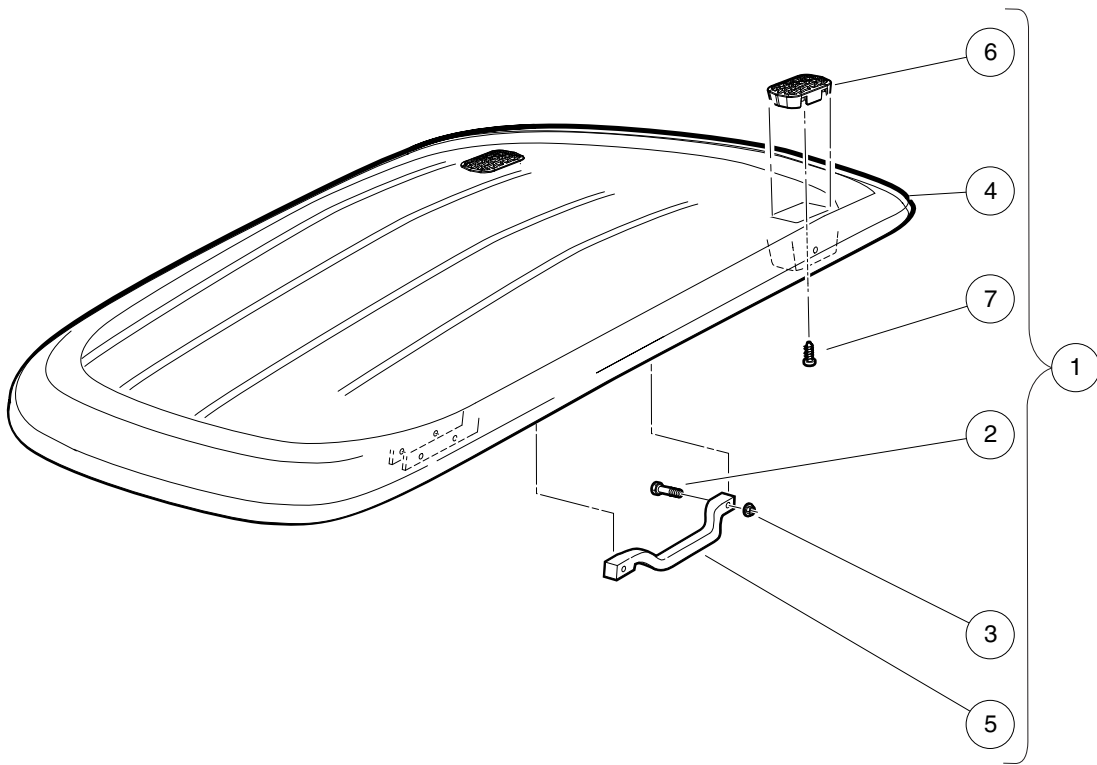


000439-009

CANOPY – BEIGE

ITEM	PART NO.	DESCRIPTION	QTY
		1 2 3 4	
1	104008002	Asm, Canopy W/handles, Beige (includes items 2 through 7)	1
2	102296140	Bolt, Flanged Head, M6x1.0x40	4
3	102296401	Nut, M6x1.0, Flange, Metal Lock	4
4	102508902	Canopy-beige	1
5	102511602	Handle, Canopy (Beige)	2
6	103205101	Cover, Drain, Canopy	2
7	103210101	Screw, #8 X.75, Torx, Tapping	2

1
G
E



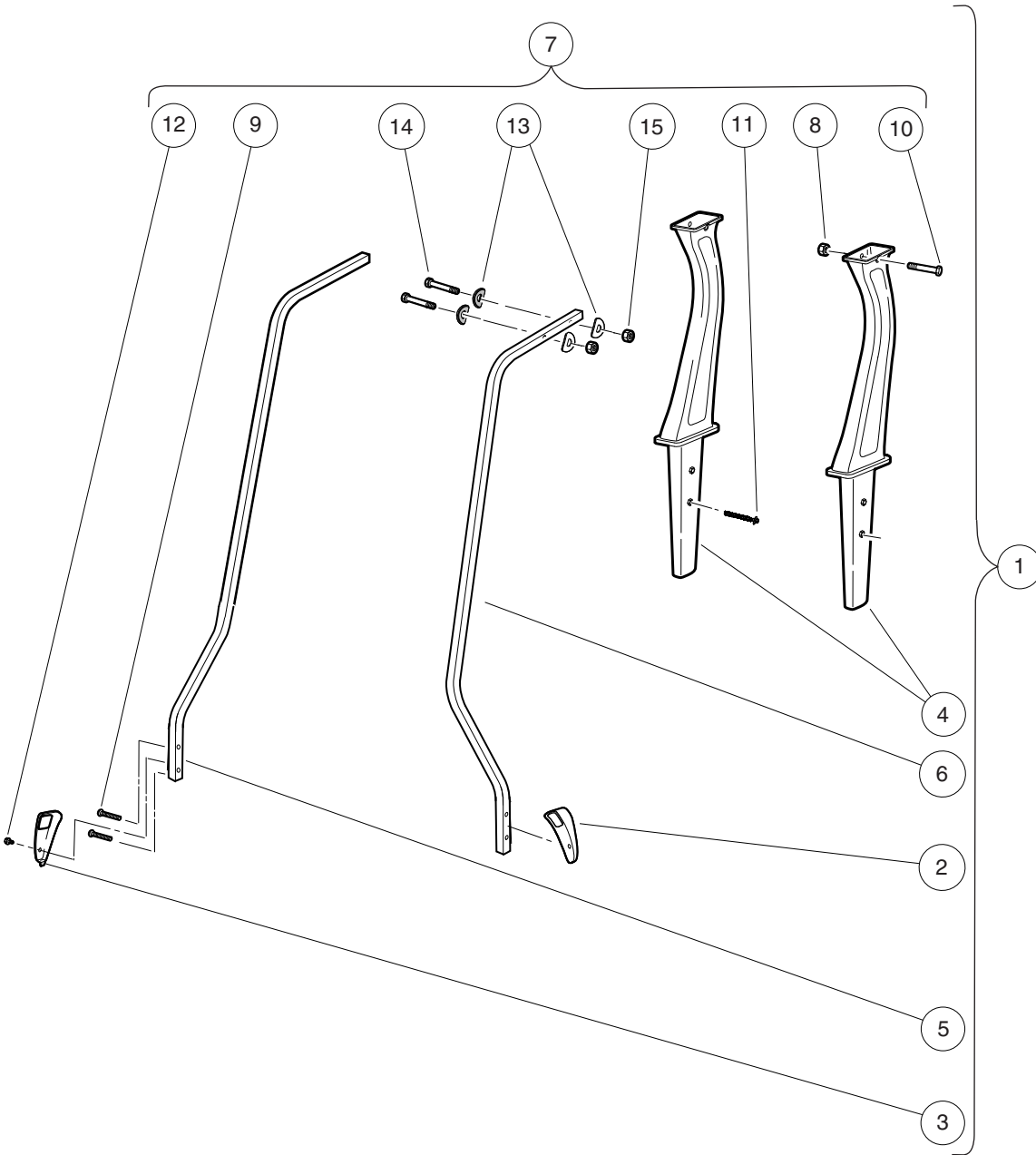
000439-009

CANOPY – BLACK

ITEM	PART NO.	DESCRIPTION	QTY
		1 2 3 4	
1	104008003	Asm, Canopy W/handles, Black (includes items 2 through 7)	1
2	102296140	Bolt, Flanged Head, M6x1.0x40	4
3	102296401	Nut, M6x1.0, Flange, Metal Lock	4
4	102508903	Canopy-black	1
5	102511603	Handle-canopy (black)	2
6	103205101	Cover, Drain, Canopy	2
7	103210101	Screw, #8 X.75, Torx, Tapping	2

1
G
E

1
G
E

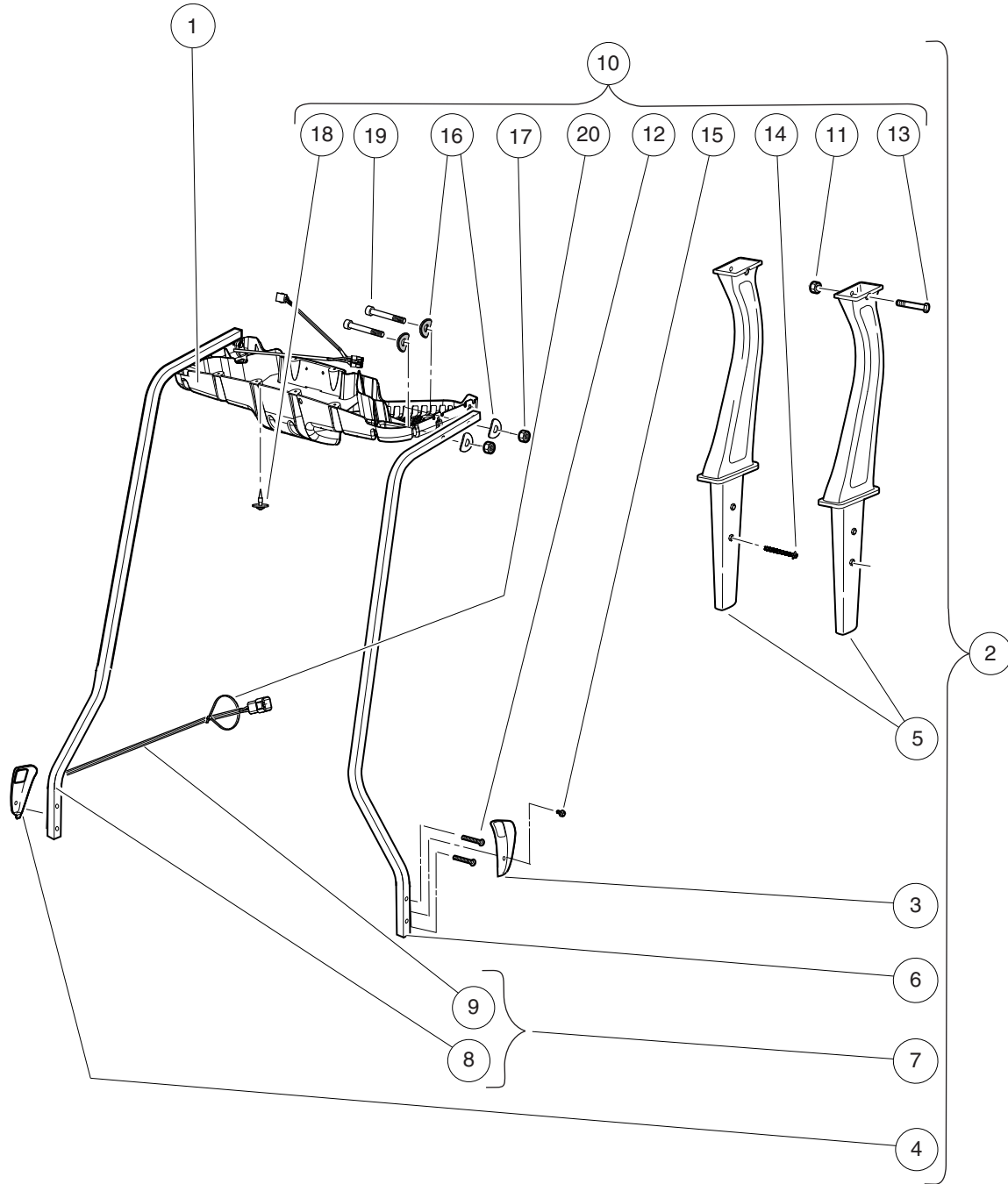


000439-010

CANOPY STRUTS

ITEM	PART NO.	DESCRIPTION	QTY
		1 2 3 4	
1	104008901	Kit, Sp, Struts, Std (includes items 2 through 7)	1
2	102400002	Cover, Canopy Support, Driver-side, Black	1
3	102400102	Cover, Canopy Support, Passenger-side, Black	1
4	102513501	Asm-rear Canopy Support	2
5	103750001	Strut, Canopy Front, Passenger-side	1
6	103750101	Strut, Canopy Front, Driver-side	1
7	104008501	Kit, Hardware, Canopy, Std (includes items 8 through 15)	1
8	102298401	Nut,m8,all Metal Lock	2
9	102299065	M8-1.25 X 65 Tx Bttm Hd Bolt	4
10	102299360	Screw, M8-1.25 X 60, Sems, Tx	2
11	102299601	Screw, Pt, K80x70 Hex Flg Hd	2
12	102544201	Screw, M6 Hex	2
13	103196001	Washer, Conical Spring, Canopy	8
14	103199301	Bolt - M6 X 1 X 45 Hh Grey	4
15	103200301	Nut, M6 x 1.00	4

1
G
E



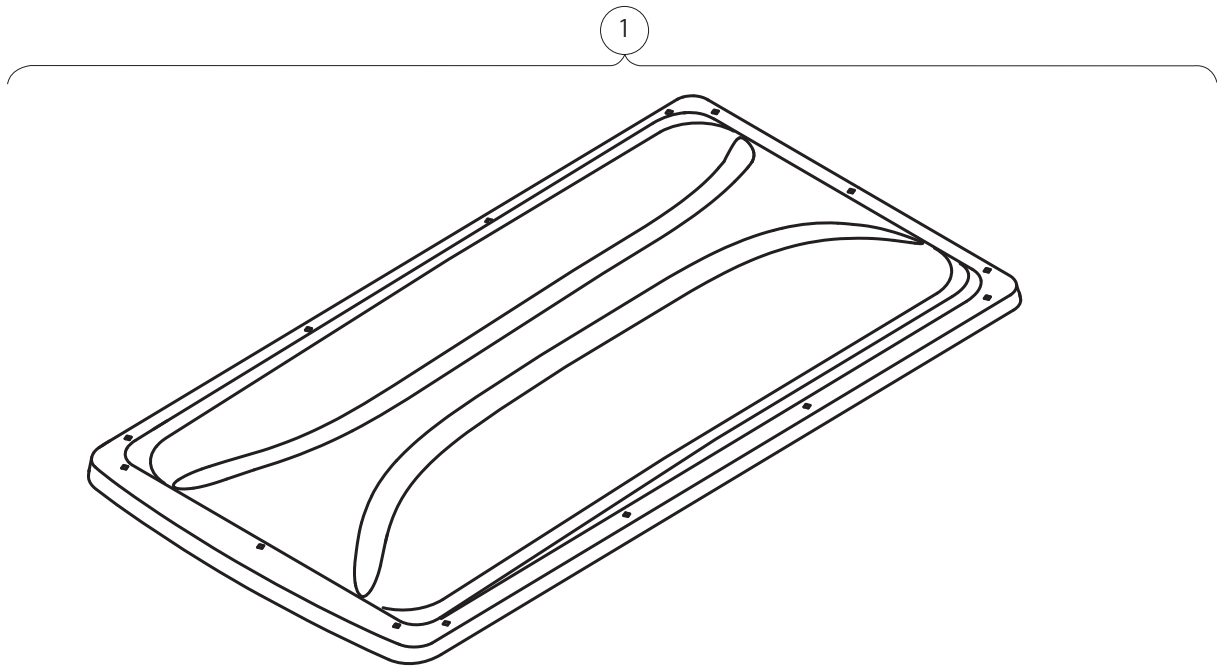
000439-011

VISAGE CANOPY STRUTS AND CONSOLE

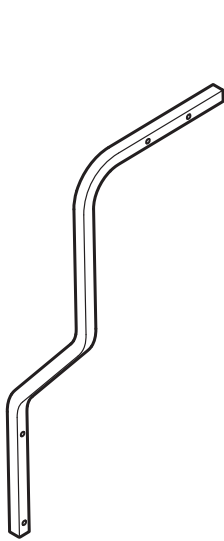
ITEM	PART NO.	DESCRIPTION	QTY
		1 2 3 4	
1	103725601	Support, Guardian Canopy Mt	1
2	104008902	Kit, Sp, Struts, Prec, Vis (includes items 3 through 10)	1
3	102400002	Cover, Canopy Support, Driver-side, Black	1
4	102400102	Cover, Canopy Support, Passenger-side, Black	1
5	102513501	Asm-rear Canopy Support	2
6	103750101	Strut, Canopy Front, Driver-side	1
7	103775201	Asm, Strut, Canopy Front, Passenger-side, V2 (includes items 8 and 9)	1
8	103750001	Strut, Canopy Front, Passenger-side	1
9	103775601	Harness, Canopy Mount, V2	1
10	104008502	Kit, Hardware, Canopy, Vis (includes items 11 through 20)	1
11	102298401	Nut,m8,all Metal Lock	2
12	102299065	M8-1.25 X 65 Tx Bttm Hd Bolt	4
13	102299360	Screw, M8-1.25 X 60, Sems, Tx	2
14	102299601	Screw, Pt, K80x70 Hex Flg Hd	2
15	102544201	Screw, M6 Hex	2
16	103196001	Washer, Conical Spring, Canopy	4
17	103200301	Nut, M6 x 1.00	4
18	103774801	Screw, Pt, Washer Head, 4x16	6
19	103881201	Socket Head Cap Screw, M6 X 50mm, Magni-Coated	4
20	8990	Tie Wrap, 8" Nylon	1

1
G
E

1
G
E



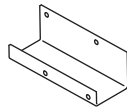
2



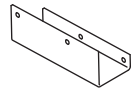
3



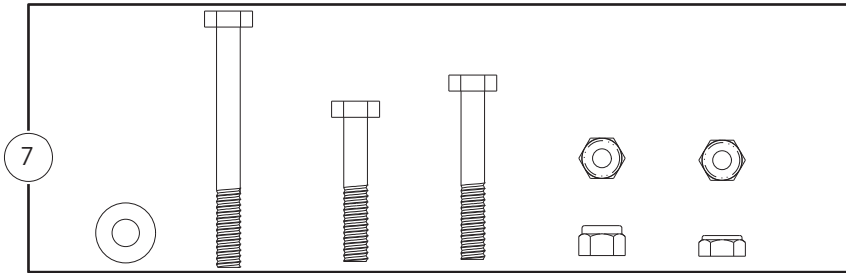
4



5



6



7

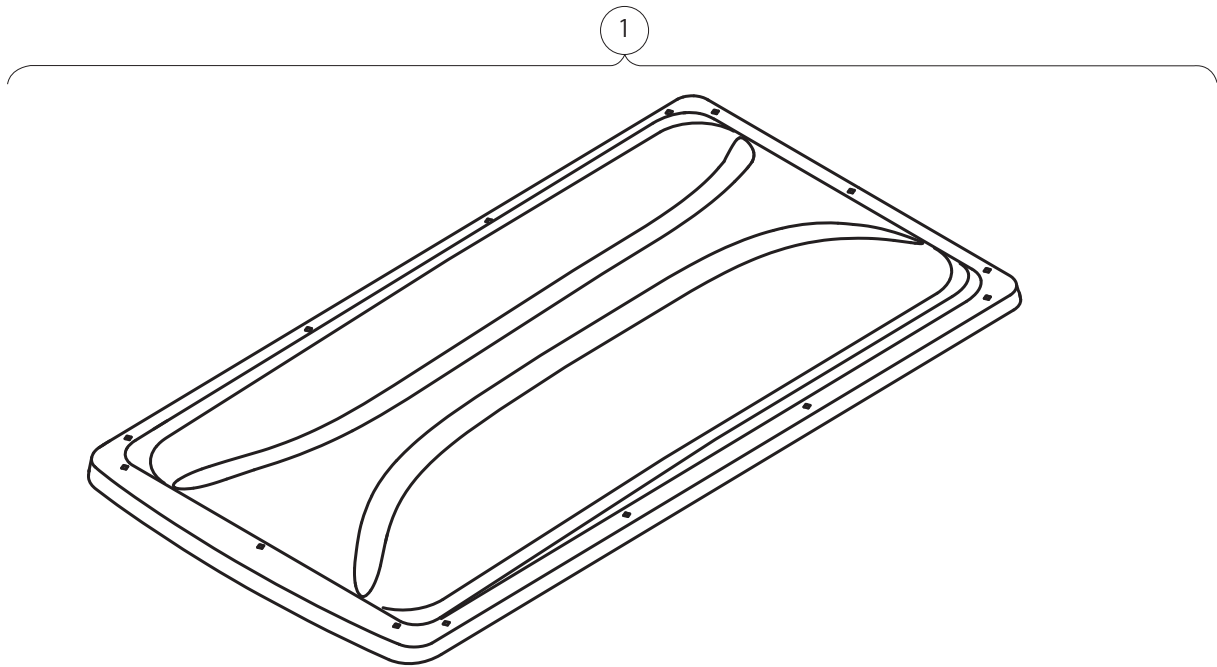
001329-001

FOUR-PASSENGER CANOPY WITH REAR STRUTS – BLACK

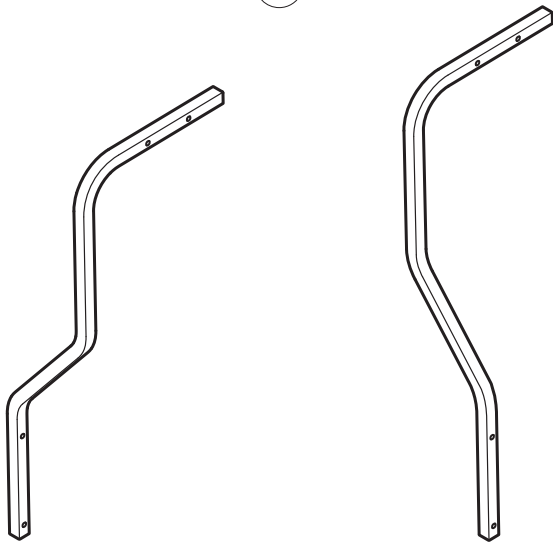
ITEM	PART NO.	DESCRIPTION	QTY
		1 2 3 4	
1	47570464001	Kit, Canopy, Phantom, Blk (includes items 2 through 7)	1
2	N/A	Top, Canopy, Phantom Blk	1
3	N/A	Strut, Canopy, Phantom Ds	1
4	N/A	Strut, Canopy, Phantom Ps	1
5	47582821001	Bracket, Canopy, Phantom Ds	1
6	47582821002	Bracket, Canopy, Phantom Ps	1
7	47583112001	Kit, Hardware, Canopy Phantom	1

1
G
E

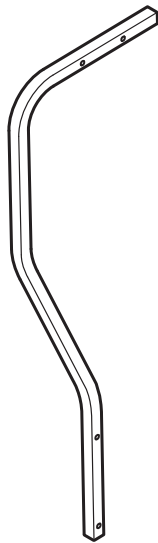
1
G
E



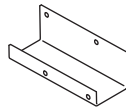
2



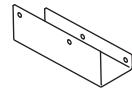
3



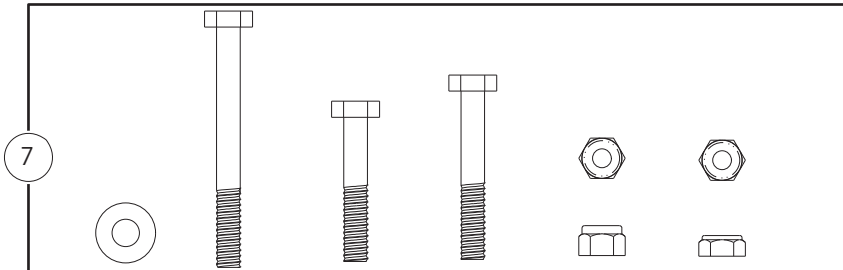
4



5



6



7

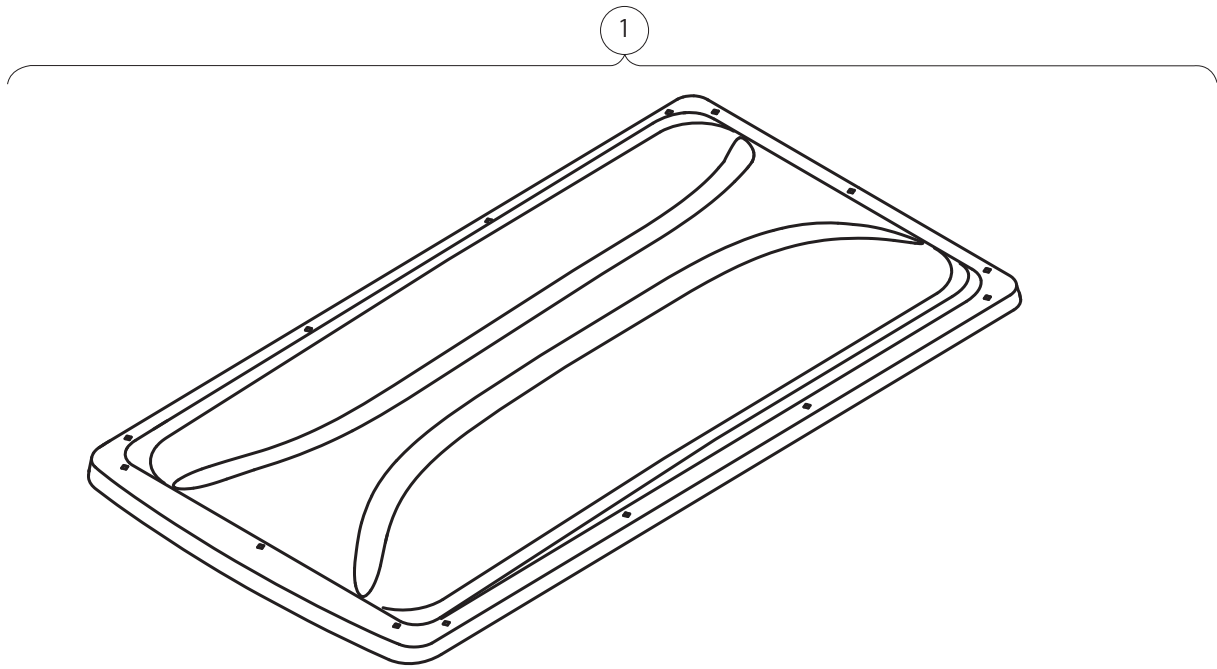
001329-001

FOUR-PASSENGER CANOPY WITH REAR STRUTS – WHITE

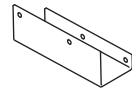
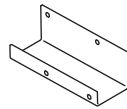
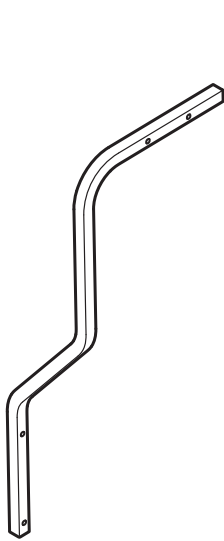
ITEM	PART NO.	DESCRIPTION	QTY
		1 2 3 4	
1	47570464002	Kit, Canopy, Phantom, Wht (includes items 2 through 7)	1
2	N/A	Top, Canopy, Phantom Wht	1
3	N/A	Strut, Canopy, Phantom Ds	1
4	N/A	Strut, Canopy, Phantom Ps	1
5	47582821001	Bracket, Canopy, Phantom Ds	1
6	47582821002	Bracket, Canopy, Phantom Ps	1
7	47583112001	Kit, Hardware, Canopy Phantom	1

1
G
E

1
G
E



2

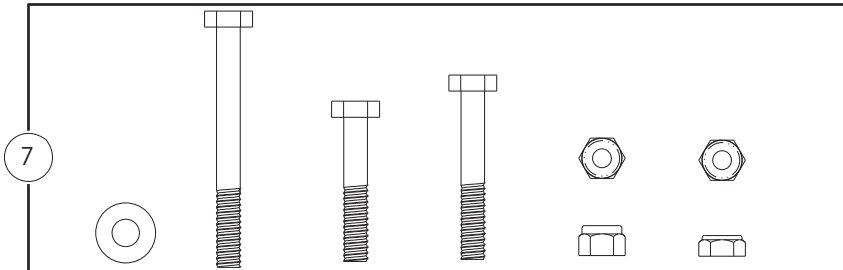


3

4

5

6

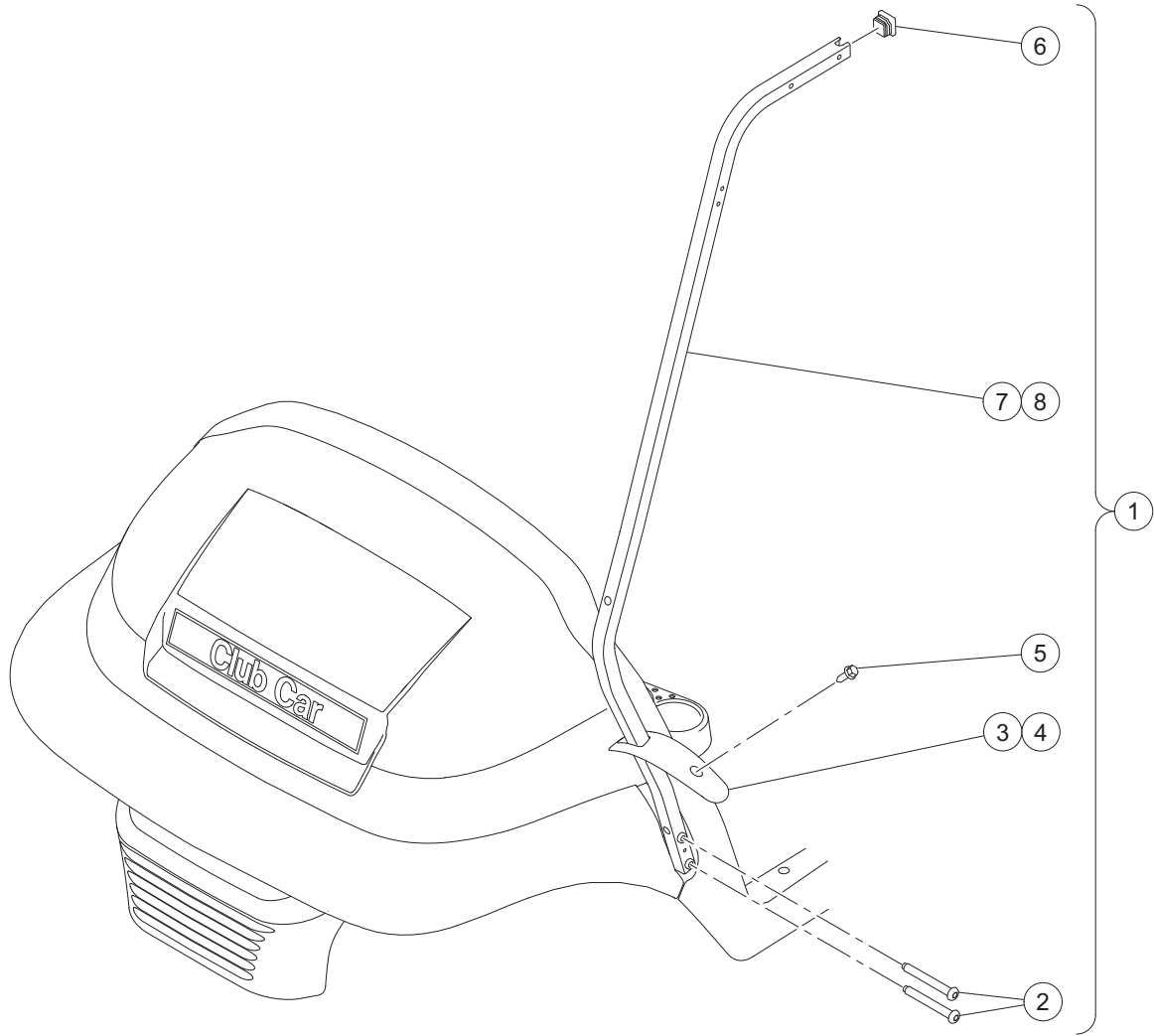


001329-001

FOUR-PASSENGER CANOPY WITH REAR STRUTS – BEIGE

ITEM	PART NO.	DESCRIPTION	QTY
		1 2 3 4	
1	47570464003	Kit, Canopy, Phantom, Beige (includes items 2 through 7)	1
2	N/A	Top, Canopy, Phantom Beige	1
3	N/A	Strut, Canopy, Phantom Ds	1
4	N/A	Strut, Canopy, Phantom Ps	1
5	47582821001	Bracket, Canopy, Phantom Ds	1
6	47582821002	Bracket, Canopy, Phantom Ps	1
7	47583112001	Kit, Hardware, Canopy Phantom	1

1
G
E



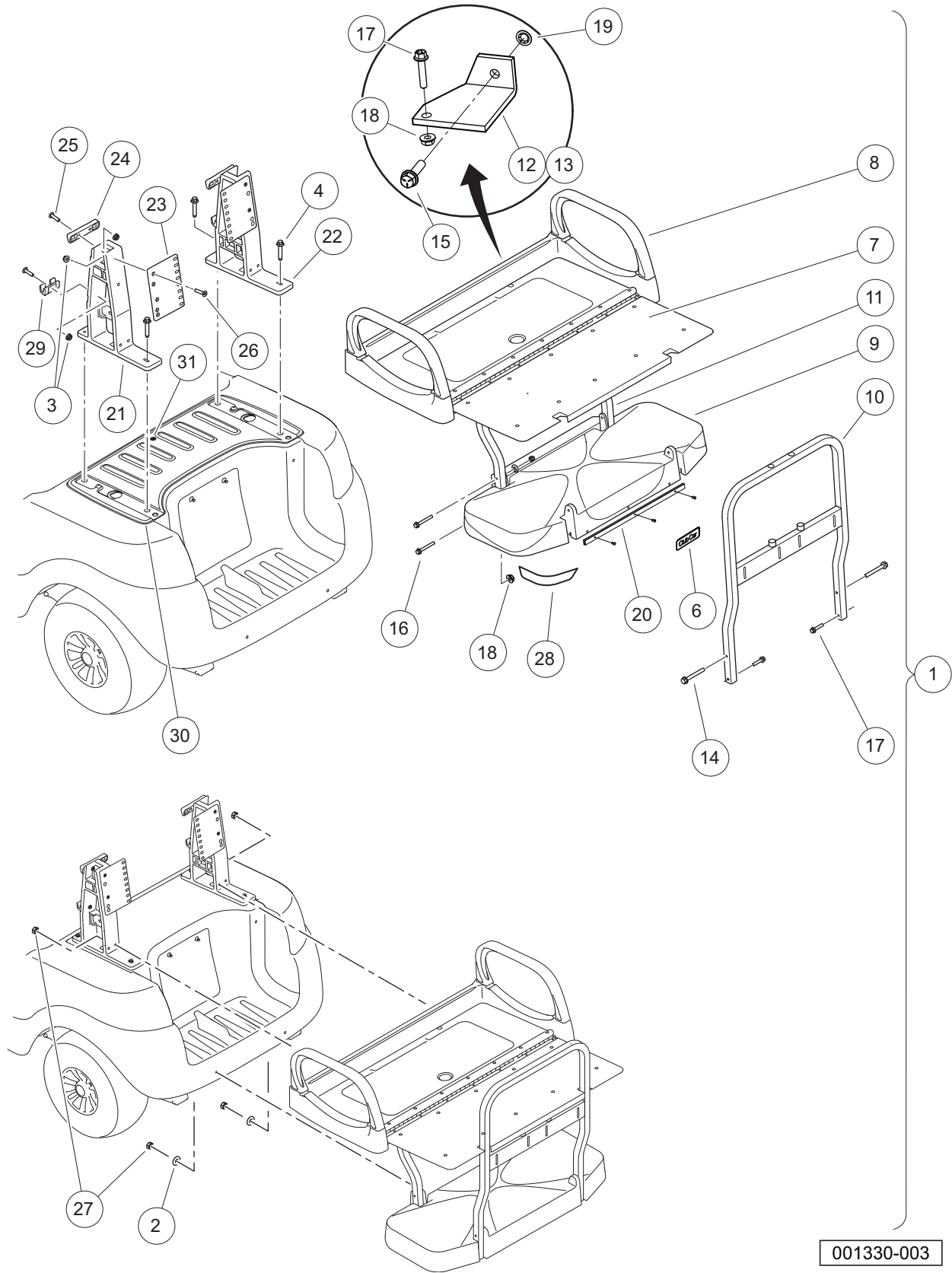
G-140799-000009

FRONT STRUT KIT, FOUR-PASSENGER CANOPY

ITEM	PART NO.	DESCRIPTION	QTY
		1 2 3 4	
1	47592812001	Kit, Front Struts, Onward, 4Pass (includes items 2 through 8)	1
2	102299065	M8-1.25 X 65 Tx Bttn Hd Bolt	4
3	102400002	Cover, Canopy Support, Driver-side, Black	1
4	102400102	Cover, Canopy Support, Passenger-side, Black	1
5	102544201	Screw, M6 Hex	2
6	102581201	Plug, Square - 25.4 mm	2
7	103750001	Strut, Canopy Front, Passenger-side	1
8	103750101	Strut, Canopy Front, Driver-side	1

1
G
E

1
G
E

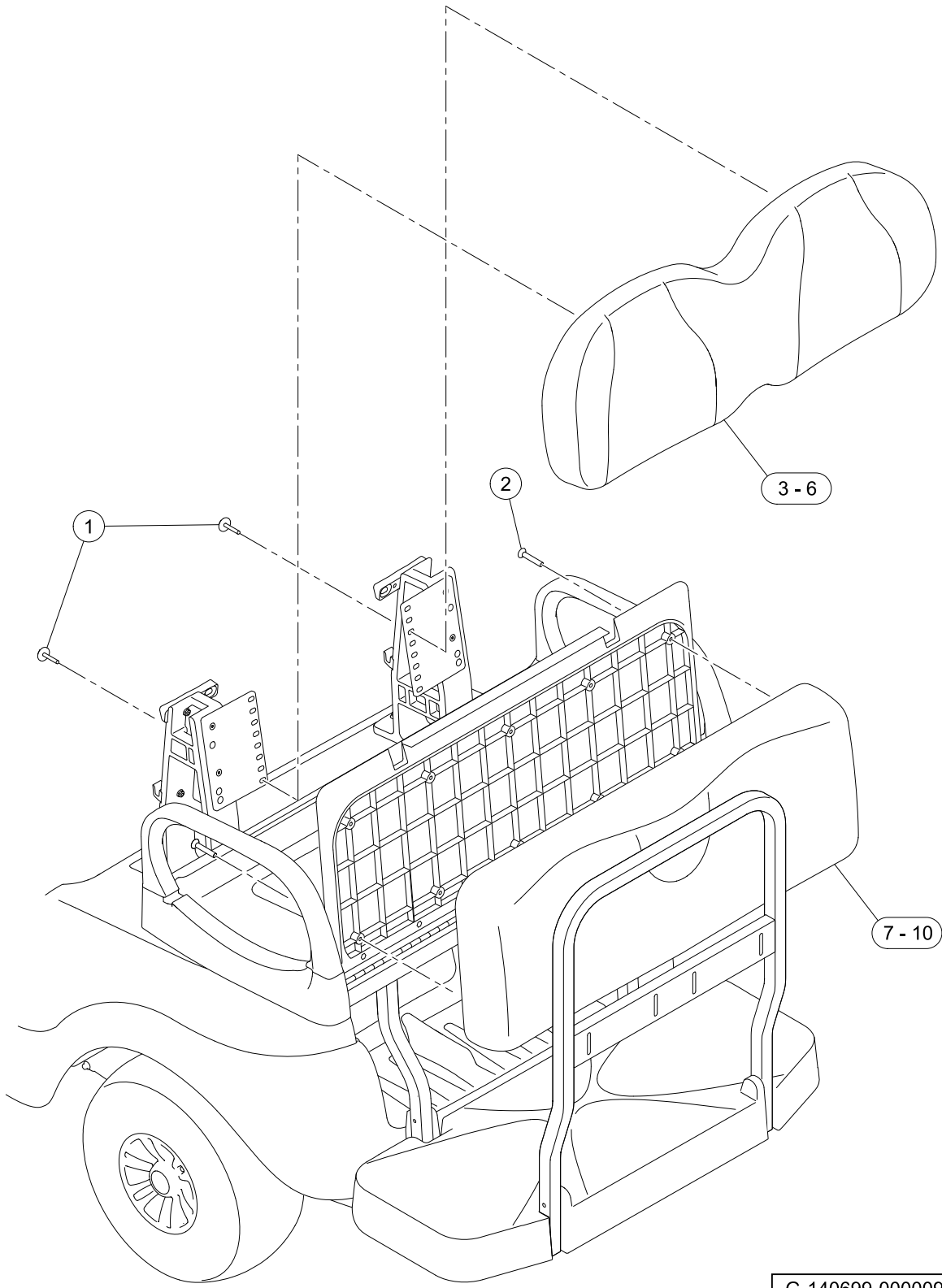


001330-003

LIFTED REAR SEAT, FRAME AND FOOT DECK

ITEM	PART NO.	DESCRIPTION	QTY
		1 2 3 4	
1	47592811001	Kit, Folddown, Seatback, 4-Passenger (includes items 2 through 29)	1
2	1011578	Washer, 5/16 Type B Flat	2
3	101835601	Locknut, 1/4-20 Hex Whiz	8
4	102298240	Bolt, Flange Head, M8-1.25 X 40	4
5	N/A	Asm, Fold Down Seat, Csmr, MX5 (includes items 6 through 20)	1
6	102278802	Decal, Club Car, Silver	1
7	47564782001	Assy, Seat Base, Dmd, Mx5	1
8	47564783001	Arm Rest, Mx5	2
9	47564784001	Assy, Foot Rest, Mx5	1
10	47564785001	Grab Bar, Rear, Mx5	1
11	47564786001	Support, Bumper Mount, MX5	1
12	47564787001	Bracket, Seat Base Mount, Driver-side, MX5	1
13	47564787002	Bracket, Seat Base Mount, Passenger-side, MX5	1
14	47568672001	Bolt, 5/16-18x2.5 Hx Flg Zn G8	4
15	47568673001	Bolt, 5/16-18x1.25 Hx Flg Zn G5	2
16	47568674001	Bolt, 1/4-20x2.0 Hx Flg Zn G5	6
17	47568674002	Bolt, 1/4-20x1.25 Hx Flg Zn G5	4
18	47568676001	Nut, 1/4-20 Hx Flg Zn Nyloc	10
19	47568677001	Nut, 5/16, Push, Ps	4
20	47581051001	Stiffener, Foot Rest, Mx5	1
21	47563300001	Support, Seat Back, Driver-side, MX5, Csmr	1
22	47563300002	Support, Seat Back, Passenger-side, MX5, Csmr	1
23	47563301001	Bracket, Seat Back, Rear, Csmr	2
24	47563302001	Brkt, St Bk, Frnt, Top, Csmr	2
25	47563304001	Screw, Trshd, 1/4-20x1.00, Lp	4
26	47563305001	Screw, Flthd, 1/4-20x1.25, Lp	4
27	47568675001	Nut, 5/16-18 Hx Flg Zn Nyloc	4
28	47578327001	Reflector, Reflex, Red, Mx5	2
29	47624766001	Bracket, Seat Back, Front, Btm	2
30	47653531001	Cover, Underbody, 4-6 Pass (includes item 31)	1
31	1010434	Barrel - Plastic	1
Note: Item 5 is not illustrated.			





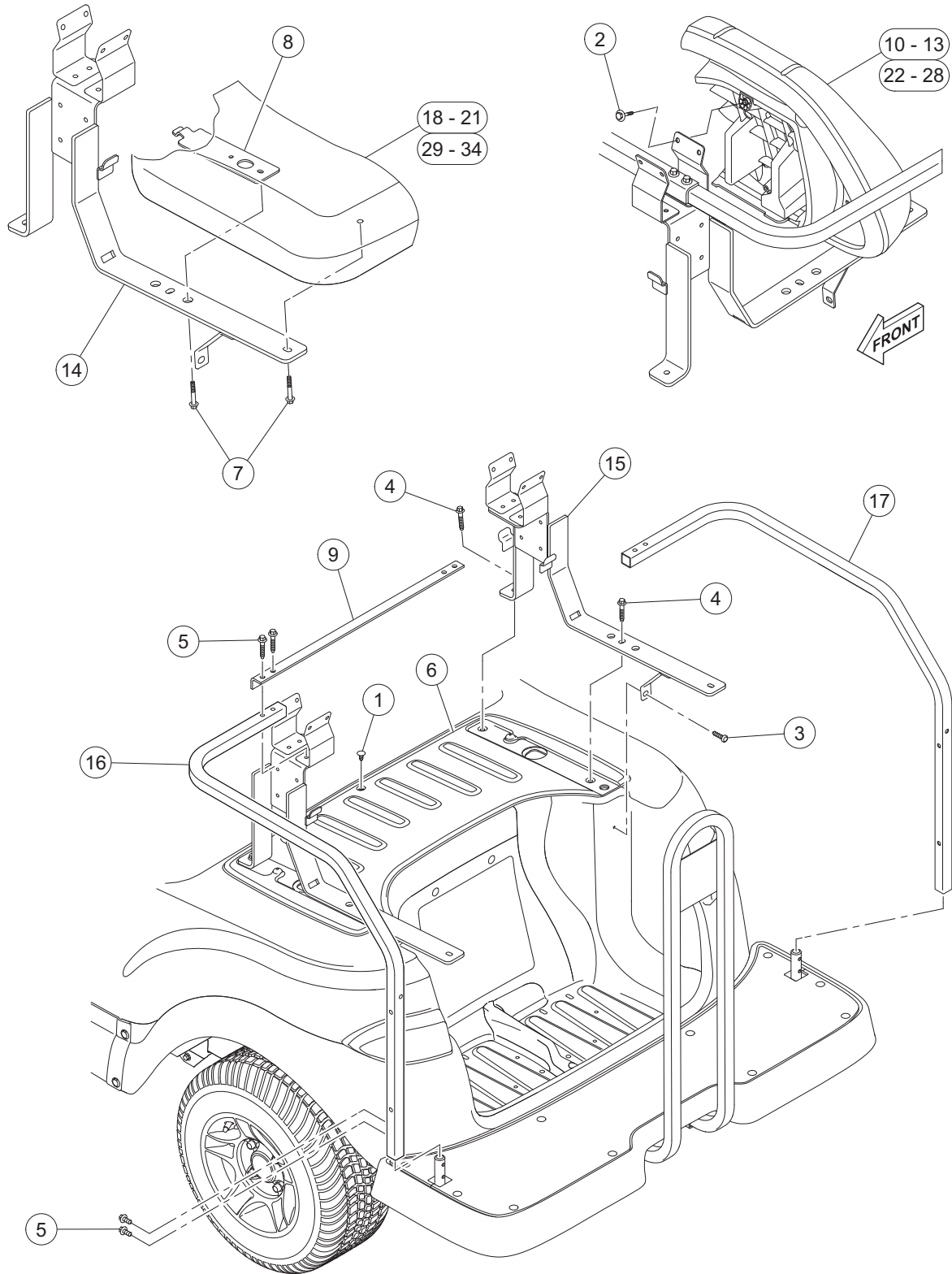
G-140699-000009

LIFTED REAR SEAT

ITEM	PART NO.	DESCRIPTION	QTY
		1 2 3 4	
1	47563306001	Screw, M6x1.0x30, Sems, Lp	4
2	47563307001	Screw, Flthd, 1/4-20x1.50, Ss	10
3	47564886021	Asm, Seat Back, Rear, Beige, Service Replacement	1
4	47564886022	Asm, Seat Back, Rear, White, Service Replacement	1
5	47564886024	Asm, Seat Back, Rear, Gray, Service Replacement	1
6	47564886025	Asm, Seat Back, Rear, Black, Service Replacement	1
7	47564887021	Asm, Seat Bottom, Rear, Beige, Service Replacement	1
8	47564887022	Asm, Seat Bottom, Rear, White, Service Replacement	1
9	47564887024	Asm, Seat Bottom, Rear, Gray, Service Replacement	1
10	47564887025	Asm, Seat Bottom, Rear, Black, Service Replacement	1
<p>Note: For current or additional seat color options contact your local Club Car dealer or distributor.</p>			

1
G
E

1
G
E



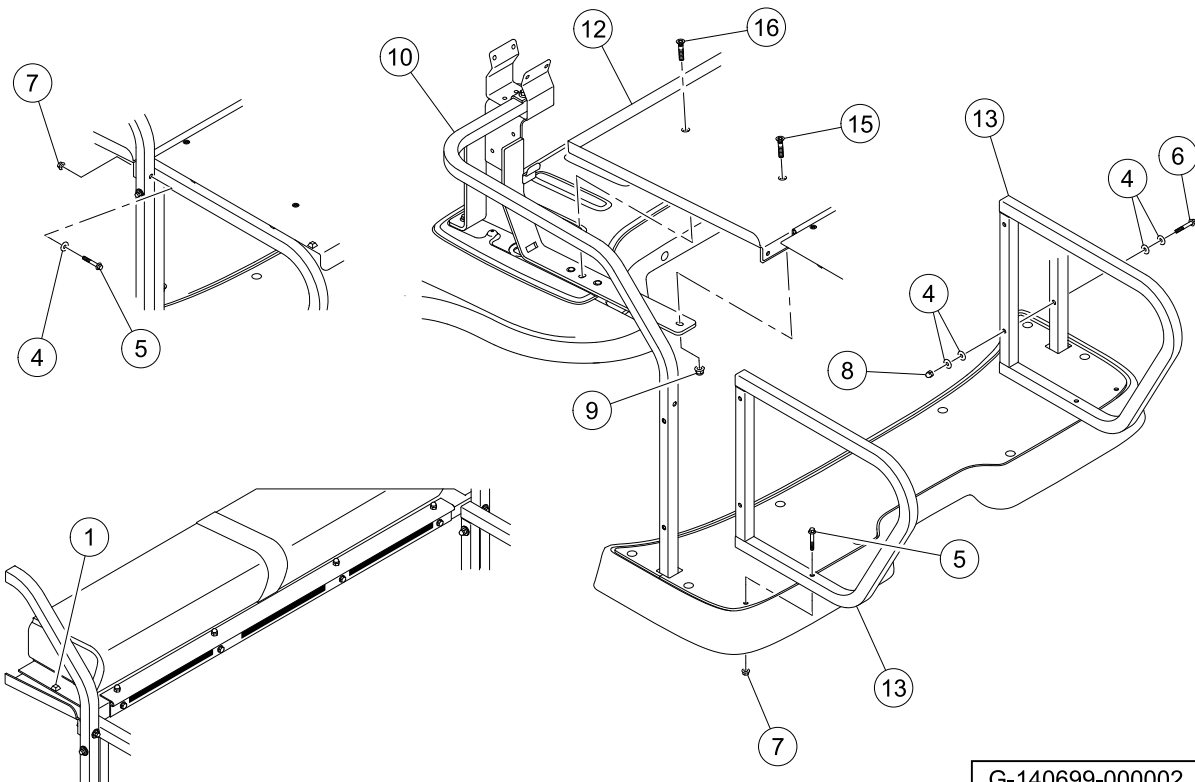
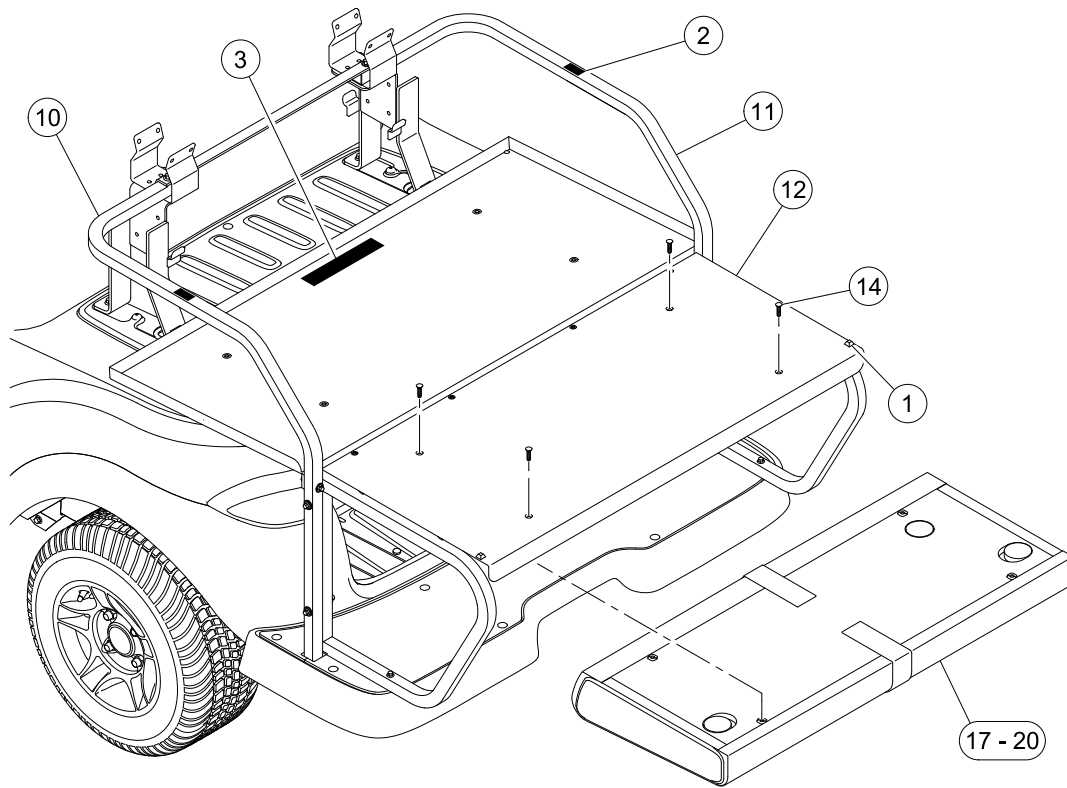
G-140699-00001

NON-LIFTED REAR SEAT, FRAME AND FOOTDECK – FIXED

ITEM	PART NO.	DESCRIPTION	QTY
		1 2 3 4	
1	1010434	Barrel - Plastic	10
2	102296530	Screw - M6 X 1.0 X 30 Sems	4
3	102298030	Screw, K80x30, Torx Pn Hd Pt	2
4	102298240	Bolt, Flange Head, M8-1.25 X 40	1
5	102298745	M8-1.25x45 Taptite	10
6	102531502	Cover- 4 Pass W/canopy	1
7	102541425	Bolt, M6x1.0x25, Hex Flhd, Blk-l	4
8	102573101	Bracket, 4-pass Lower Seat	2
9	103653001	Angle, Strut, Tie	1
10	103853121	Asm, Seat Back, Beige, Service Replacement	1
11	103853122	Asm, Seat Back, White, Service Replacement	1
12	103853124	Asm, Seat Back, Gray, Service Replacement	1
13	103853125	Asm, Seat Back, Black, Service Replacement	1
14	103866801	Weldment, Sprt, 4pass, Drv	1
15	103866802	Weldment, Sprt, 4pass	1
16	103866901	Restraint-lh 4pass Hip	1
17	103866902	Restraint-rh 4pass Hip	1
18	105101221	Service, Beige, 4pass Rear Btm	1
19	105101222	Service, White, 4pass Rear Btm	1
20	105101224	Service, Gray, 4pass Rear Btm	1
21	105101225	Service, Black, 4pass Rear Btm	1
22	47564888021	Asm, Seat Back, Rear, Lt. Beige, Service Replacement	1
23	47564888022	Asm, Seat Back, Rear, Camello, Service Replacement	1
24	47564888023	Asm, Seat Back, Rear, Off-White, Service Replacement	1
25	47564888024	Asm, Seat Back, Rear, Camello/Lt. Beige, Service Replacement	1
26	47564888025	Asm, Seat Back, Rear, Camello/Off-White, Service Replacement	1
27	47564888026	Asm, Seat Back, Rear, Lt. Beige/Off-White, Service Replacement	1
28	47564888027	Asm, Seat Back, Rear, Black, Service Replacement	1
29	47564888028	Asm, Seat Back, Rear, Black/Gray, Service Replacement	1
30	47564888029	Asm,bk,rr,gray,srvc,prem	1
31	47564888029	Asm,bk,rr,gray,srvc,prem	1
32	47564889021	Asm, Seat Bottom, Rear, Lt. Beige, Service Replacement	1
33	47564889022	Asm, Seat Bottom, Rear, Camello, Service Replacement	1
34	47564889023	Asm, Seat Bottom, Rear, Off-White, Service Replacement	1
35	47564889024	Asm, Seat Bottom, Rear, Camello/Lt. Beige, Service Replacement	1
36	47564889025	Asm, Seat Bottom, Rear, Camello/Off-White, Service Replacement	1
37	47564889026	Asm, Seat Bottom, Rear, Lt. Beige/Off-White, Service Replacement	1
38	47564889027	Asm, Seat Bottom, Rear, Black, Service Replacement	1
39	47564889028	Asm, Seat Bottom, Rear, Black/Gray, Service Replacement	1

1
G
E

1
G
E



G-140699-00002

NON-LIFTED REAR FOLD-DOWN SEAT, FRAME AND FOOTDECK

ITEM	PART NO.	DESCRIPTION	QTY
		1 2 3 4	
1	1011897	Bumper, Protective	6
2	101609401	Decal, Crush Area Warning	2
3	101972001	Decal, D.s. Box Bed Warning (for vehicles with bed box option)	1
4	102296301	Washer, M6x18x1.6 Flat	18
5	102541445	Bolt-m6x1.0x45 Hex Flhd,blk	4
6	102541465	Bolt, M 6 X 1.0 X 65 Hex, Flange, Head, Black	4
7	102541501	Nut-m6x1.0 Fl Mtl Lock,blk	4
8	102582401	Cap Nut M6, Sp	4
9	102618601	Lock Nut, Flange, M8 X 1.25 Nylon	2
10	103866903	Restraint-lh 4pass Fold Down	1
11	103866904	Restraint-rh 4pass Fold Down	1
12	105268501	Asm, Hinge, Fold Down	1
13	105300101	Asm, Side Frame	2
14	105307901	Screw, Mach, Fthd,ss, 1/4-20x1	4
15	105308425	Screw, Fthd, Ss, M8x1.25x25	2
16	105308440	Screw, Fthd, Ss, M8x1.25x40	2
17	105310201	Asm, Bottom, Flip Seat, Beige	A/R
18	105310202	Asm, Bottom, Flip Seat, White	A/R
19	105310203	Asm, Bottom, Flip Seat, Gray	A/R
20	105310204	Asm, Bottom, Flip Seat, Black	A/R

1
G
E

1

G

E

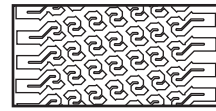
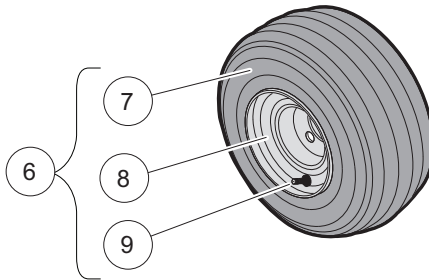
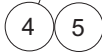
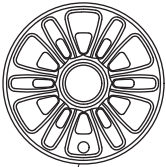
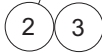
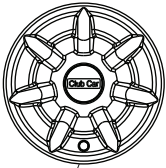
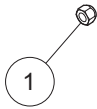
WHEELS AND TIRES

2

G

E

2
G
E



EXTRA TRACTION
Kenda®

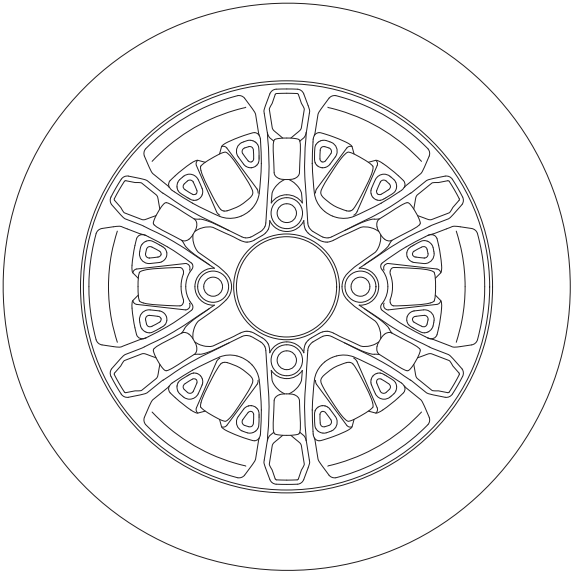
001398-001

WHEELS AND TIRES – NON-LIFTED

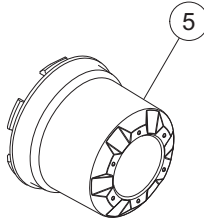
ITEM	PART NO.	DESCRIPTION	QTY
		1 2 3 4	
1	1010984	.500-20 Unf Lug Nut	16
2	102559901	Hub Cap Kit (includes item 3)	1
3	103694501	Hub Cap, 7 Prong	4
4	102559902	Kit, Wheel Cover, 12 Spk (includes item 5)	1
5	105142401	Wheel Cover, 12 Spk, 8", Slvr	4
6	103951002	Assembly, Silver Wheel Kenda, X/t 6ply (includes items 7 through 9)	4
7	102569302	Tire, Kenda, 18x8.5-8, 6-ply Xtr	1
8	103459104	Wheel Rim, 8"x7", Silver, Std	1
9	7310	Valve Stem, Black Plastic	1
<p>Note: For current or additional wheel and tire assemblies contact your local Club Car dealer or distributor. You may also reference the wheel and tire matrix on the Club Car website.</p>			

2
G
E

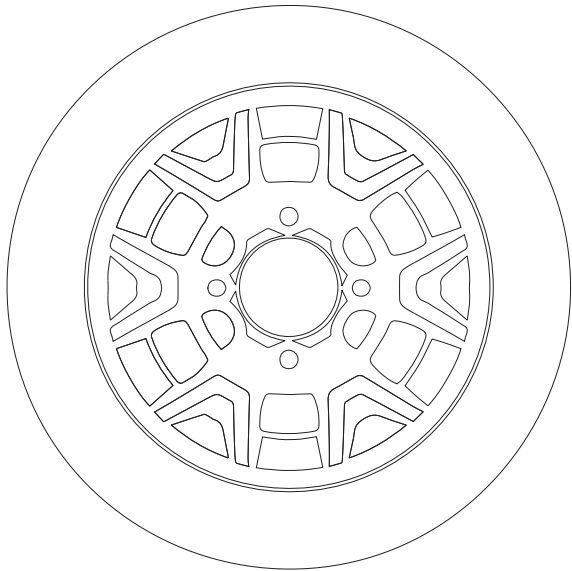
2
G
E



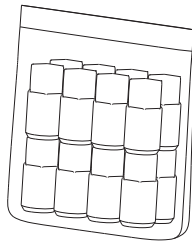
1 3



5



2 4



6 7

G-090099-000009

WHEELS AND TIRES – LIFTED

ITEM	PART NO.	DESCRIPTION	QTY
		1 2 3 4	
1	47561648004	Asm, 23x10-12 Krkn, Mer,gb,cc	4
2	47561649004	Asm, 23x10-12 Krkn, Atl,gb,cc	4
3	47562947004	Asm, 23x10-14 Krkn, Mer,gb,cc	4
4	47562948004	Asm, 23x10-14 Krkn, Atl,gb,cc	4
5	47562949001	Cap, Center, Chrome	4
6	47590808001	Kit, Lugnut, Csmr (includes item 7)	1
7	47562951001	Nut, Lug, 17x1/2-20, Chrome	16
		<p>Note: For current or additional wheel and tire assemblies contact your local Club Car dealer or distributor. You may also reference the wheel and tire matrix on the Club Car website.</p>	

2
G
E

2

G

E

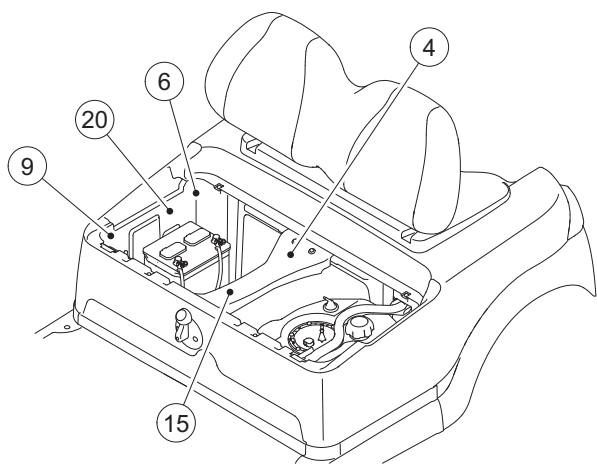
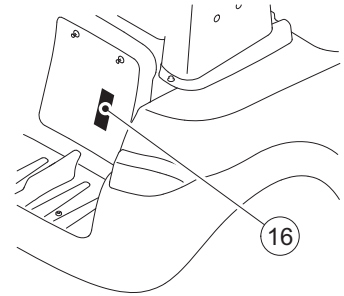
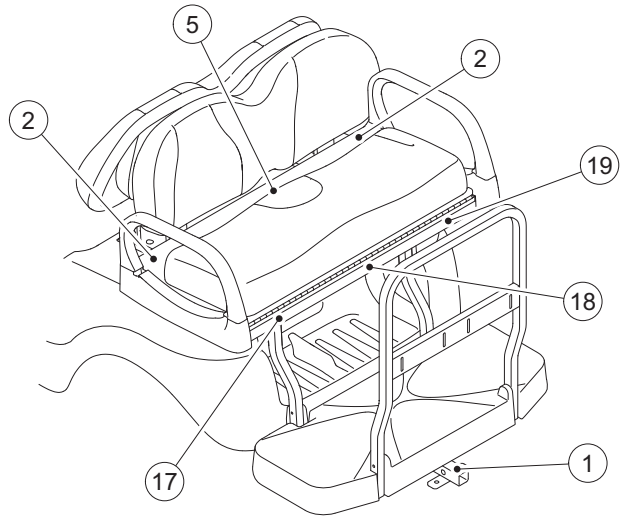
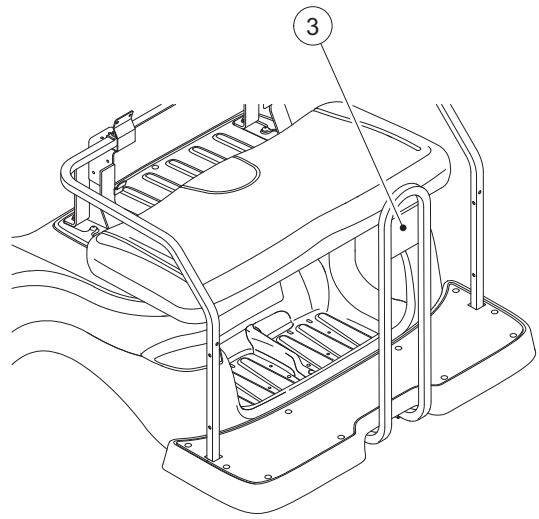
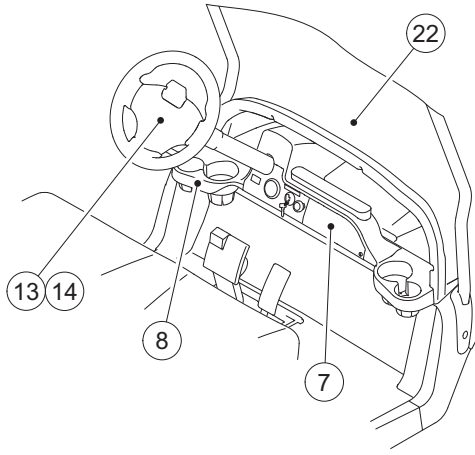
DECALS

3

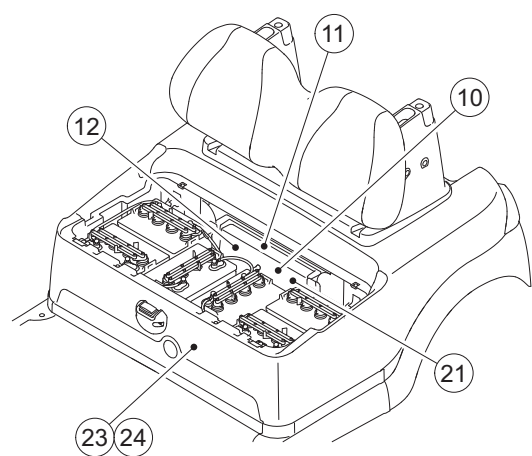
G

E

3
G
E



A



B

G-160199-000011

DECALS

ITEM	PART NO.	DESCRIPTION	QTY
		1 2 3 4	
1	101155301	Decal, Trailer Hitch Weight	A/R
2	101609401	Decal, Crush Area Warning	A/R
3	101705701	Decal, Warning	A/R
4	101960501	Decal, Rotating Parts/Hot Manifold	A/R
5	101972001	Decal, D.s. Box Bed Warning (for vehicles with bed box option)	A/R
6	102517901	Decal, Warning - Frame Ground	A/R
7	102519301	Decal, Warning, Rollover	A/R
8	102555901	Decal, Private Speed	A/R
9	103205501	Decal, Maintenance/Operate Switch	A/R
10	103384601	Decal-water Exposure	A/R
11	103384701	Decal-warning, Short	A/R
12	103384801	Decal, Warning, RUN/TOW	A/R
13	103783001	Decal, Op Instr, Ele	A/R
14	103783002	Decal, Op Instr, Gas Ps	A/R
15	105067501	Decal, Warn - Gas/gov	A/R
16	105070501	Decal, Gas, Rotating Parts/Hot Muffler	A/R
17	105267301	Decal, Warn, Fld L	A/R
18	105267401	Decal, Warn, Fld M	A/R
19	105267501	Decal, Warn, Fld R	A/R
20	47586040001	Decal, Warn	A/R
21	47586191001	Decal, Compliance, Mirrors	A/R
22	47592393001	Decal, Warn, Windshield	A/R
23	47655585001	Decal, Charger Cord, JCI Batteries	A/R
24	47655585002	Decal, Charger Cord, Trojan T875 Batteries	A/R
<p>Note: Detail A is for gas cars only. Detail B is for electric cars only.</p>			

3
G
E

3

G

E

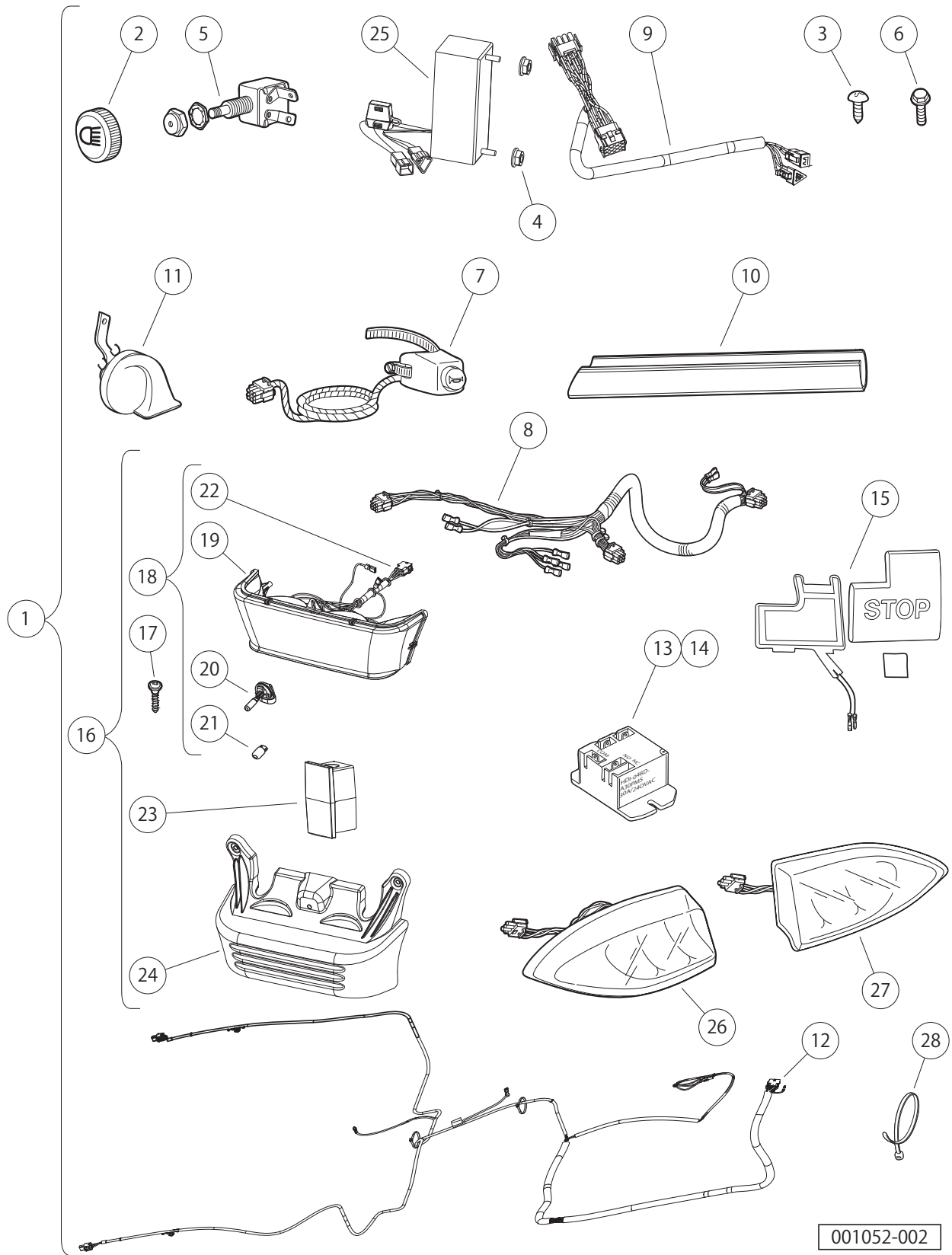
LIGHTS, CONTROLS AND INDICATORS

4

G

E

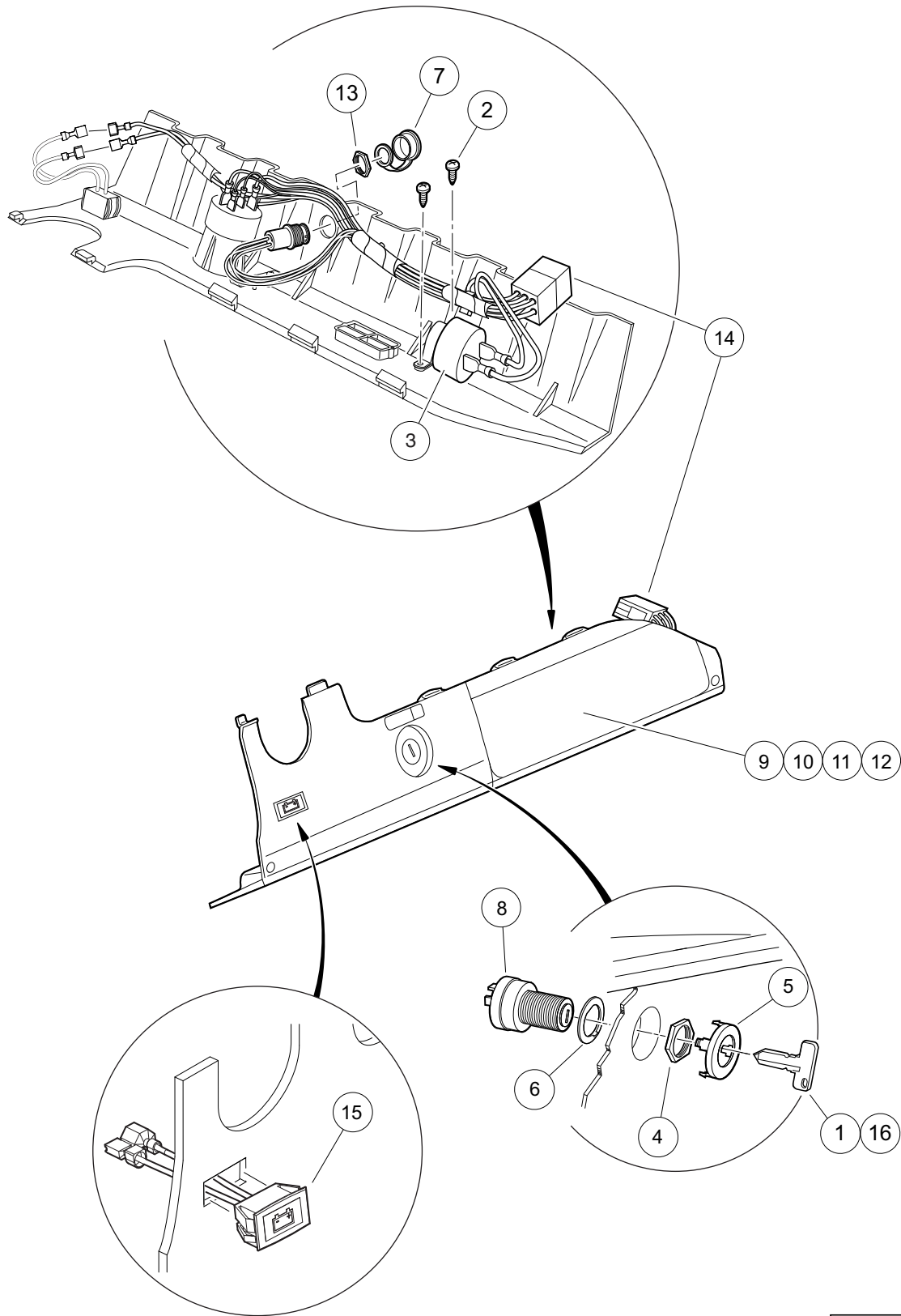
4
G
E



HEADLIGHTS, HORN AND TAILLIGHTS – PRECEDENT

ITEM	PART NO.	DESCRIPTION	QTY	
		1 2 3 4		4
1	105142501	Kit, Std Lights, Prec, Hfc (includes items 2 through 28)	1	G
2	1013857	Knob, Light Switch	1	E
3	1016849	Screw, #4-24 X 0.33, Pan-Head, Machine	2	
4	101835601	Locknut, 1/4-20 Hex Whiz	2	
5	102051901	Switch, Light	1	
6	102298720	Screw, M8-1.25x20, Taptite	1	
7	102517601	Subasm, Horn Button Harness	1	
8	102527801	Ip Lighting Harness, Elec	1	
9	102528101	Dc-dc Convert Harness, Prec	1	
10	102529201	Wire Cover, Steering Column	1	
11	102535401	Horn	1	
12	103375901	Prec Light Harn Restyle	1	
13	103414901	Kit, Relay, 48v 30a W/instr (includes item 14)	1	
14	103397901	Relay, Spst No, 48v 30a, Pmt	1	
15	103597101	Kit, Brake Light Switch	1	
16	103933902	Kit, Bumper W/light (includes items 17 through 24)	1	
17	102296020	Screw-torx Pan Head Pt, M6x20	3	
18	102544301	Headlight Asm, Prec (includes items 19 through 22)	1	
19	102528701	Headlight, Lens/reflector	1	
20	102535101	Bulb, Headlight, 37.5 W	2	
21	102535201	Front Turn Signal Bulb	2	
22	102535301	Headlight, Harness, Prec	1	
23	103325001	Plug, Shock, Bumper	2	
24	103923601	Bumper, Prec Fleet, W/light	1	
25	47594727001	Converter, Dc/dc	1	
26	47643352001	Assembly, Taillight, LH	1	
27	47643352002	Assembly, Taillight, RH	1	
28	8990	Tie Wrap, 8" Nylon	4	
29	105142502	Kit, Std Lights, Prec, Hfc, Ce	1	
		Note: For European (CE) vehicles, order item 29 (not illustrated) kit p/n 105142502. Details 2 through 28 are applicable to both kits.		

4
G
E



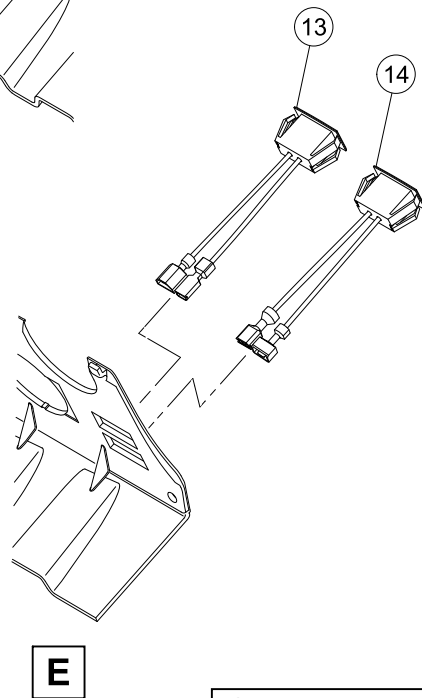
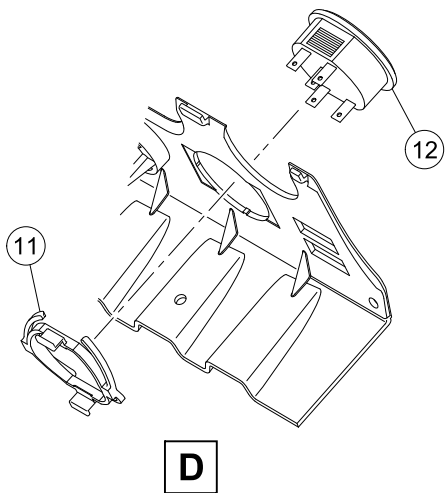
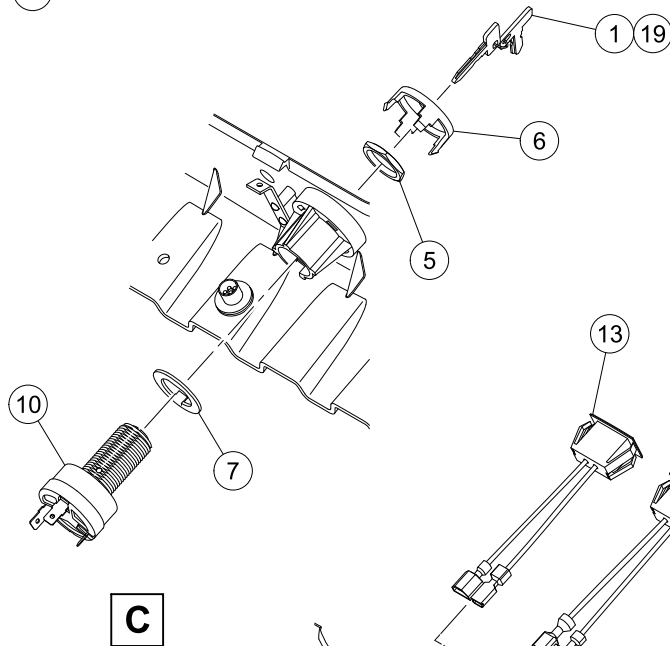
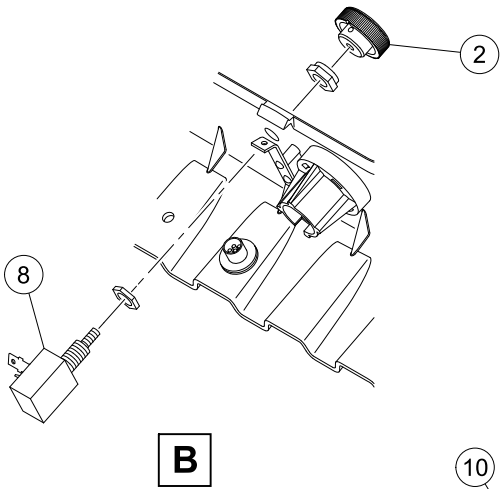
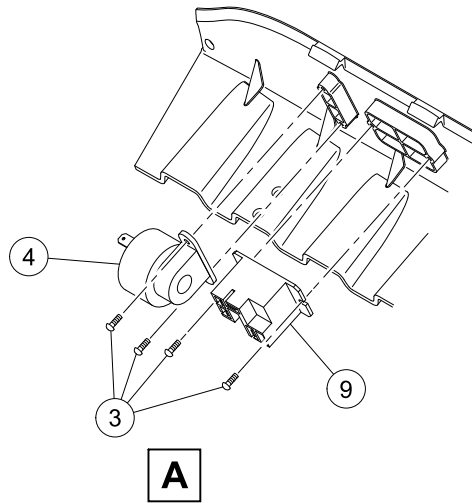
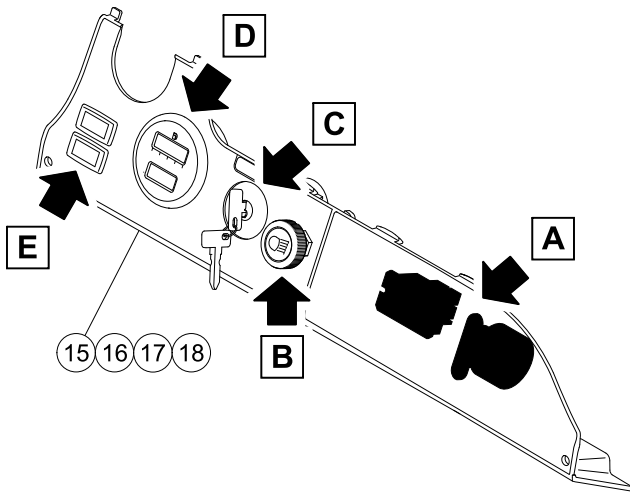
000490-004

INSTRUMENT PANEL – ELECTRIC VEHICLE WITH ERIC CHARGER

ITEM	PART NO.	DESCRIPTION	QTY
		1 2 3 4	
1	1012505	Keys (set of 2)	1
2	1016849	Screw, #4-24 X 0.33, Pan-Head, Machine	2
3	1016851	Multi-Purpose Buzzer (9-48 VDC)	1
4	101830701	Nut, Key Switch	1
5	101834502	Cap, Black Key Switch	1
6	101851101	Washer, Key Switch	1
7	102196901	Dust Cap	1
8	102508601	Key Switch, Electric	1
9	102522901	Instrument Panel (standard)	1
10	102536601	Instrument Panel (with Hole for Headlight Switch)	1
11	102536603	Instrument Panel (with Hole for Battery Condition Indicator)	1
12	102536605	Instrument Panel (with Hole for Headlight Switch and Battery Condition Indicator)	1
13	102572401	Nut, Diagnostic Port	1
14	103991501	Harness, Wire, Instrument Panel, w/Hi-Freq	1
15	105152301	Indicator, Charger, Dash, Cap	1
16	AM10079	Bulk Std Keys (50) *	1
		* Note: Must order in multiples of 50.	

4
G
E

4
G
E



G-130599-000004

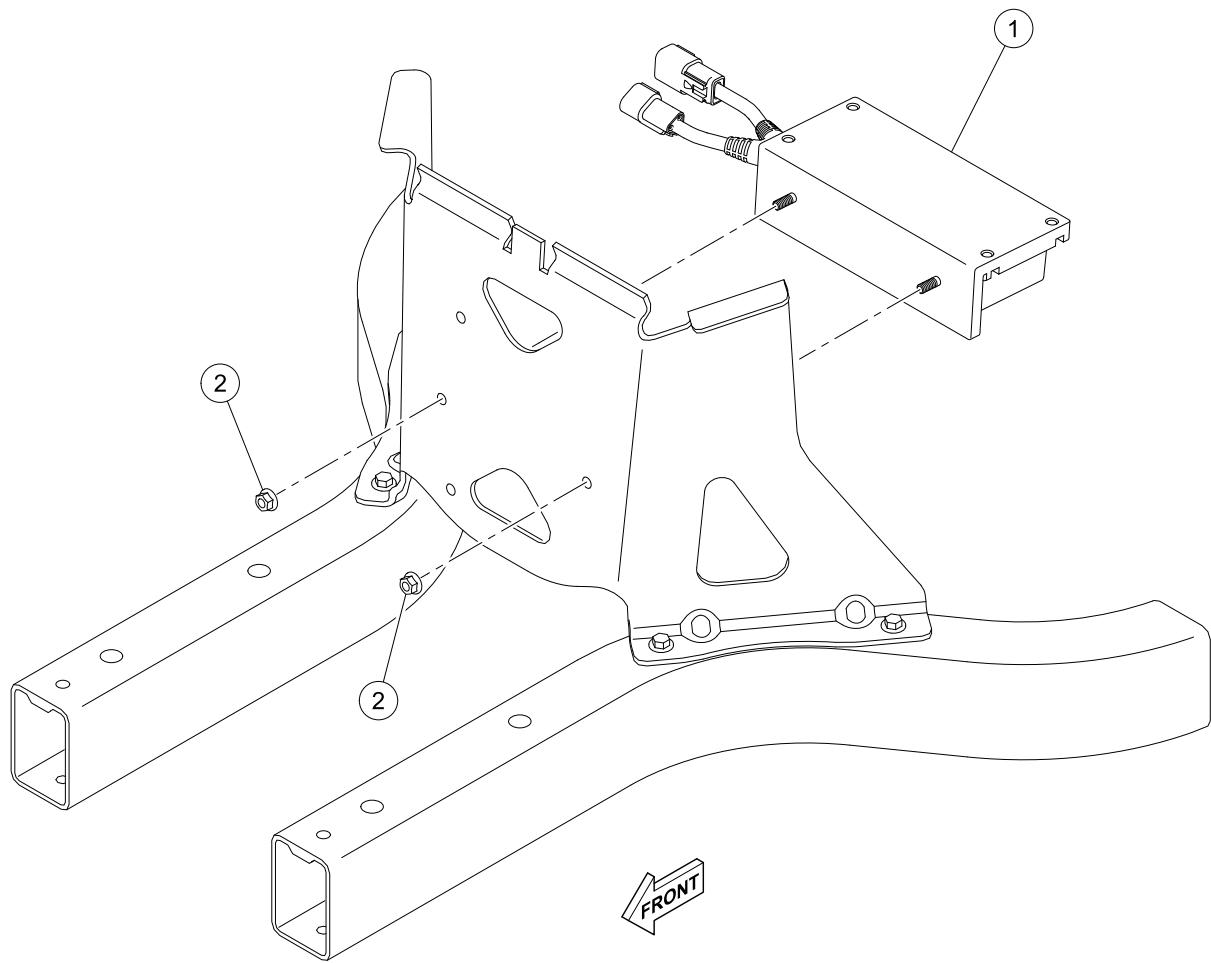
INSTRUMENT PANEL – ECH440 GAS VEHICLE

ITEM	PART NO.	DESCRIPTION	QTY
		1 2 3 4	
1	1012505	Keys (set of 2)	1
2	1013857	Knob, Light Switch	1
3	1016849	Screw, #4-24 X 0.33, Pan-Head, Machine	4
4	1016851	Multi-Purpose Buzzer (9-48 VDC)	1
5	101830701	Nut, Key Switch	1
6	101834502	Cap, Black Key Switch	1
7	101851101	Washer, Key Switch	1
8	102051901	Switch, Light	1
9	102199001	Relay, 12-Volt	1
10	102515101	Key Switch, Gas	1
11	103348201	Clip, Meter, Round	1
12	103348602	Gauge, Fuel-hour,sep Gnd, Ds	1
13	105037101	Light, Oil (LED)	1
14	47598441001	Light, Dash, Led, Mil	1
15	47613414002	Panel, Punched, Mil Light	1
16	47613414005	Panel, Punched, Mil Hdlt	1
17	47613414006	Panel, Punched, Mil Fuel	1
18	47613414007	Panel, Punched, Mil Hdlt Fuel	1
19	AM10079	Bulk Std Keys (50) *	1
		* Note: Must order in multiples of 50.	

4

G

E



G-130299-000001

DC/DC CONVERTER – ELECTRIC VEHICLE

ITEM	PART NO.	DESCRIPTION	QTY
		1 2 3 4	
1	47594727001	Converter, Dc/dc	1
2	96704176	Nut, Flanged, M6 X 1, Serrated	2

4

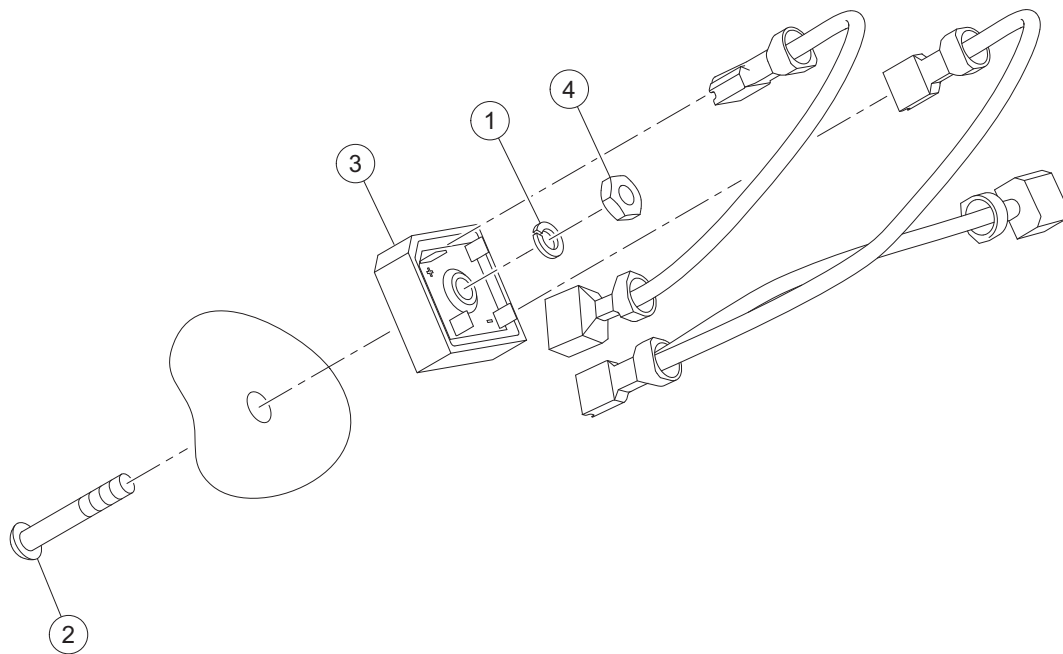
G

E

4

G

E



001365-003

VOLTAGE LIMITER – GASOLINE VEHICLE

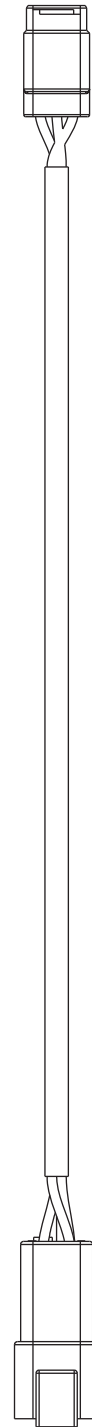
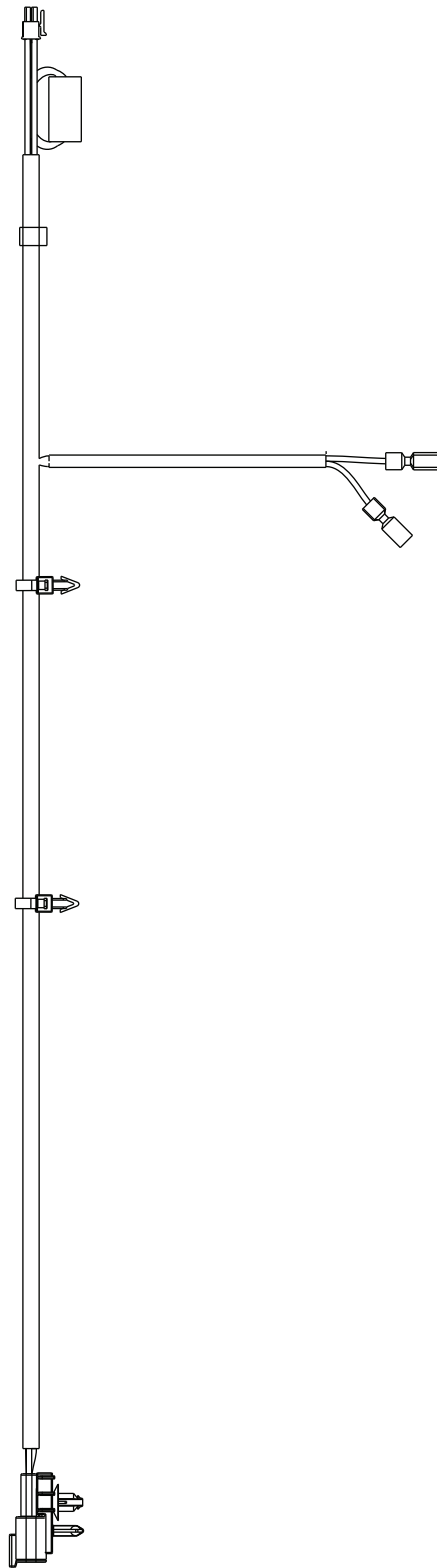
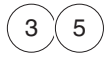
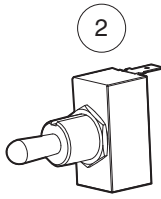
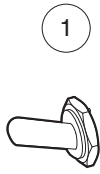
ITEM	PART NO.	DESCRIPTION	QTY
		1 2 3 4	
1	1016	Lockwasher, #10 Split	1
2	103821301	Screw, Panhead #10-32 X 1.75	1
3	47604303001	Voltage Limiter, Gas	1
4	7893	Nut, #10-32 Hex	1

4

G

E

4
G
E



001439-001

WIRING AND SWITCH – VISAGE

ITEM	PART NO.	DESCRIPTION	QTY
		1 2 3 4	
1	101908401	Boot, Switch	1
2	102511101	Switch, Tow	1
3	47554735001	Harness, Visage, Console, Gas	1
4	47554736001	Harness, Visage, Strut, G/e	1
5	47555612001	Harness, Visage, Console, Elec	1
6	47557751001	Harness, Interface, Visage	1
7	47614711001	Harness, Visage, Ext, Stretch	A/R
<p>Note: Item 7 is not illustrated. It only applies to the stretch vehicle platforms.</p>			

4
G
E

4

G

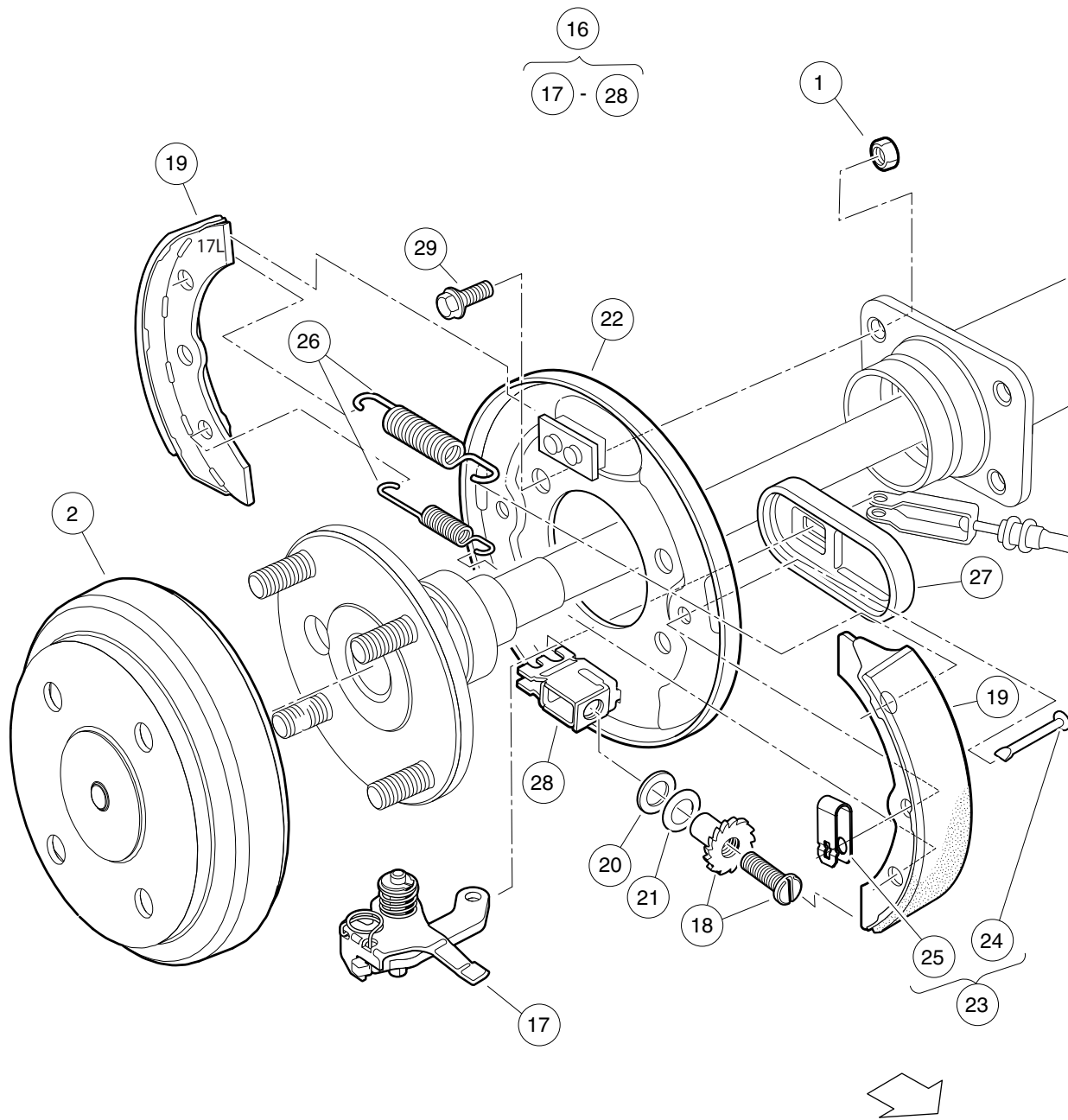
E

BRAKES AND PEDAL GROUP ASSEMBLIES

5

G

E



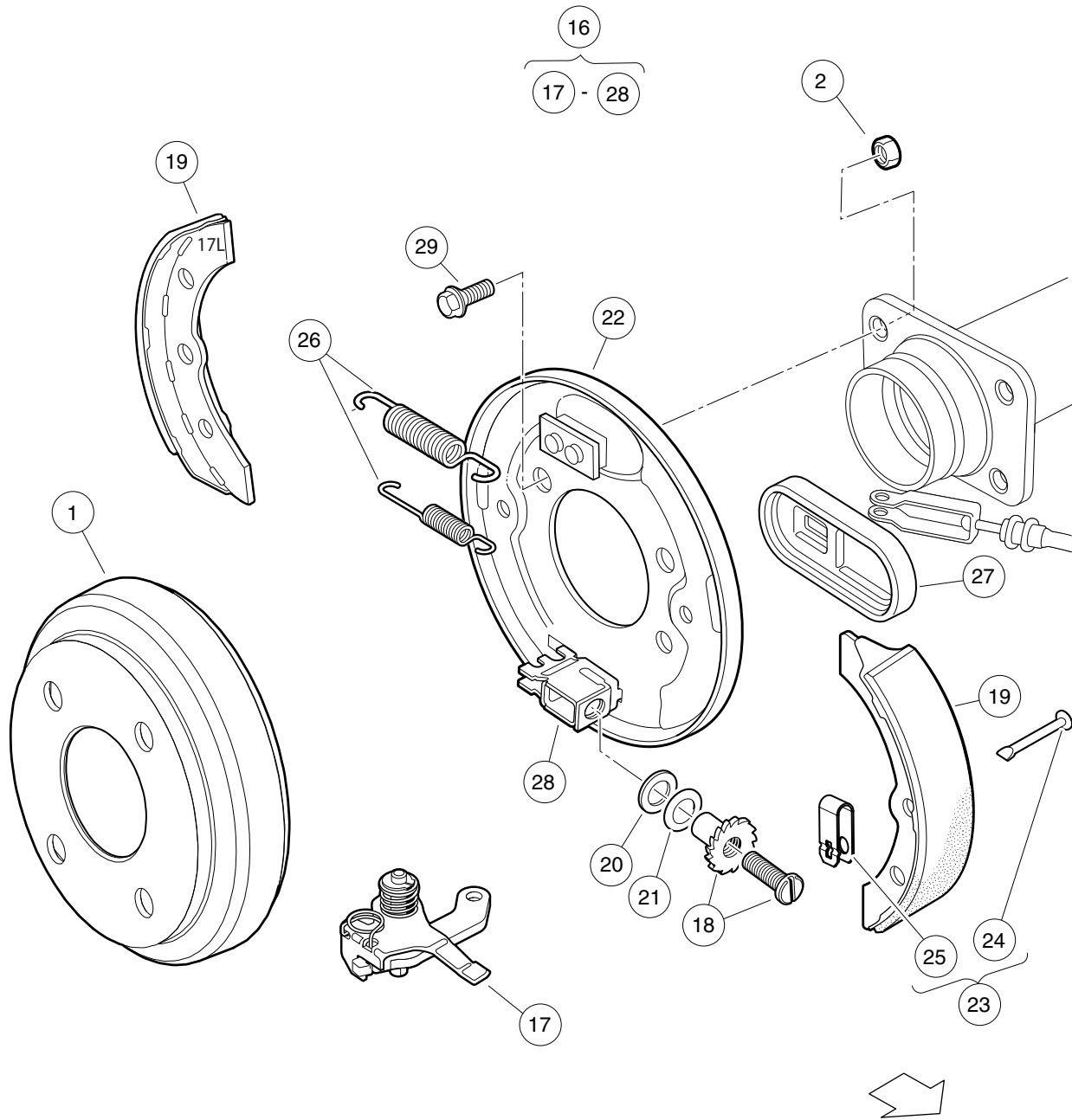
000186-006

REAR BRAKES, SELF-ADJUSTING

ITEM	PART NO.	DESCRIPTION	QTY
		1 2 3 4	
1	1013924	Nut, 5/16-24, Hex Head Cone	8
2	101791101	Drum without Center Hole, Brake	2
3	103380201	Asm, Brake Cluster, Mech, Drvr (includes items 4 through 15)	1
4	101815502	Lever Assembly, Self-Adjusting Brake, Left	1
5	101816502	Adjusting Mechanism, Self-Adjusting Brake, Left	1
6	101823201	Package, Brake Shoe, Self-Adjusting	1
7	101823801	Plate, Washer, Brake, Self-Adjusting	1
8	101823901	Washer, Brake, Self-Adjusting	1
9	103483102	Backing Plate, Driver-side	1
10	103483201	Kit, Shoe Retainer (includes items 11 and 12)	1
11	N/A	Pin	2
12	N/A	Spring, Shoe, Clamp	2
13	103483401	Package Brake Spring Self Adj	1
14	103483601	Cover, Dust	1
15	103483701	Brake Block	1
16	103380202	Asm, Brake Cluster, Mech, Pass (includes items 17 through 28)	1
17	101815501	Lever Assembly, Self-Adjusting Brake, Right (Passenger)	1
18	101816501	Adj Mechanism, S.A. Brakes, Right (Passenger)	1
19	101823201	Package, Brake Shoe, Self-Adjusting	1
20	101823801	Plate, Washer, Brake, Self-Adjusting	1
21	101823901	Washer, Brake, Self-Adjusting	1
22	103483101	Backing Plate, Passenger-side	1
23	103483201	Kit, Shoe Retainer (includes items 24 and 25)	1
24	N/A	Pin	2
25	N/A	Spring, Shoe, Clamp	2
26	103483401	Package Brake Spring Self Adj	1
27	103483601	Cover, Dust	1
28	103483701	Brake Block	1
29	47542195001	Bolt, Brake Cluster Mnt	8
		Note: Driver-side brake cluster items are not illustrated. Components have a similar appearance to passenger-side brake cluster.	

5
G
E

5
G
E



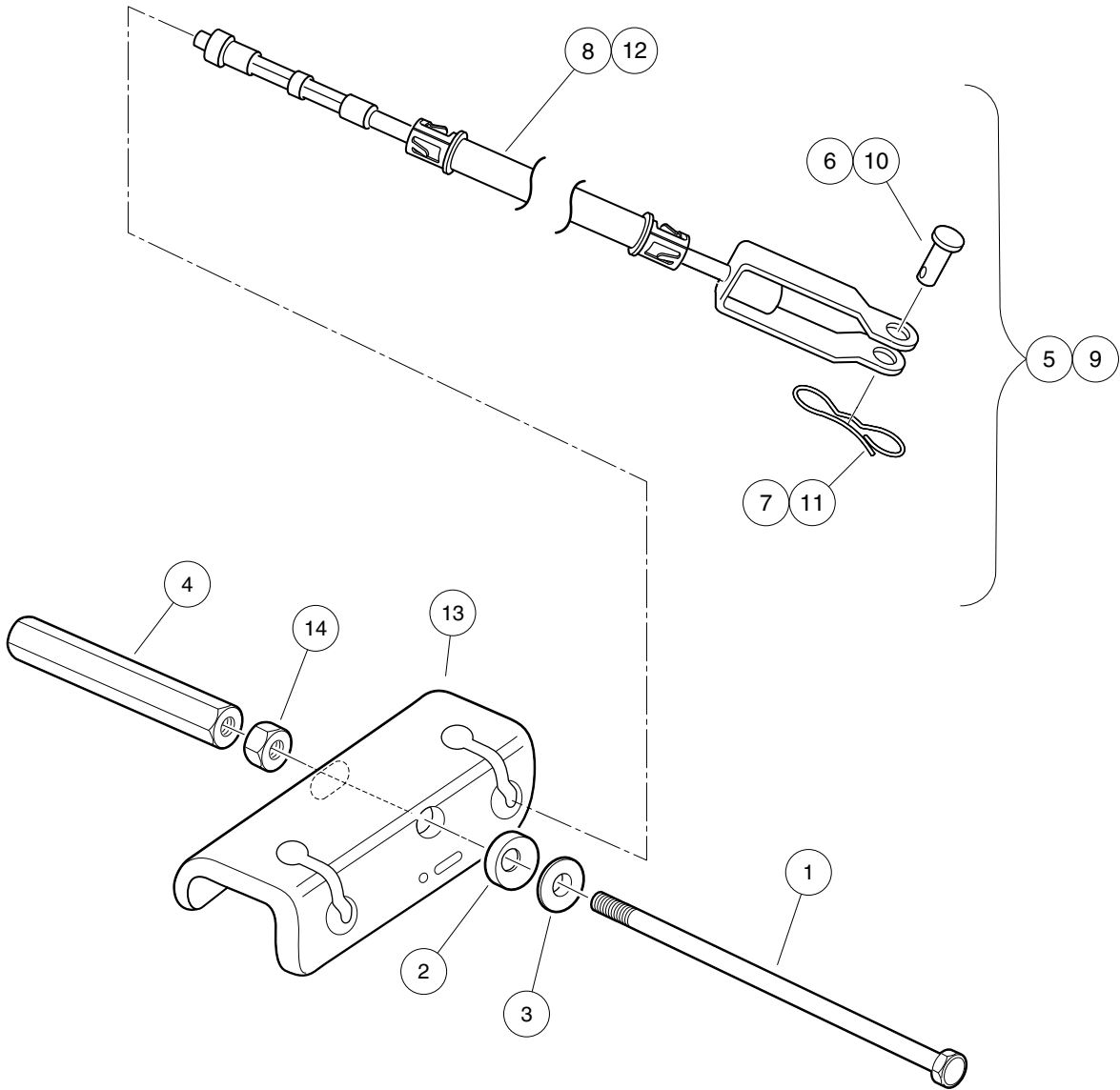
000186-007

REAR BRAKES, SELF-ADJUSTING – GASOLINE VEHICLES

ITEM	PART NO.	DESCRIPTION	QTY
		1 2 3 4	
1	1011137	Drum, Brake	2
2	1013924	Nut, 5/16-24, Hex Head Cone	8
3	103380201	Asm, Brake Cluster, Mech, Drvr (includes items 4 through 15)	1
4	101815502	Lever Assembly, Self-Adjusting Brake, Left	1
5	101816502	Adjusting Mechanism, Self-Adjusting Brake, Left	1
6	101823201	Package, Brake Shoe, Self-Adjusting	1
7	101823801	Plate, Washer, Brake, Self-Adjusting	1
8	101823901	Washer, Brake, Self-Adjusting	1
9	103483102	Backing Plate, Driver-side	1
10	103483201	Kit, Shoe Retainer (includes items 11 and 12)	1
11	N/A	Pin	2
12	N/A	Spring, Shoe, Clamp	2
13	103483401	Package Brake Spring Self Adj	1
14	103483601	Cover, Dust	1
15	103483701	Brake Block	1
16	103380202	Asm, Brake Cluster, Mech, Pass (includes items 17 through 28)	1
17	101815501	Lever Assembly, Self-Adjusting Brake, Right (Passenger)	1
18	101816501	Adj Mechanism, S.A. Brakes, Right (Passenger)	1
19	101823201	Package, Brake Shoe, Self-Adjusting	1
20	101823801	Plate, Washer, Brake, Self-Adjusting	1
21	101823901	Washer, Brake, Self-Adjusting	1
22	103483101	Backing Plate, Passenger-side	1
23	103483201	Kit, Shoe Retainer (includes items 24 and 25)	1
24	N/A	Pin	2
25	N/A	Spring, Shoe, Clamp	2
26	103483401	Package Brake Spring Self Adj	1
27	103483601	Cover, Dust	1
28	103483701	Brake Block	1
29	47542195001	Bolt, Brake Cluster Mnt	8
		Note: Driver-side brake cluster not shown. Components have a similar appearance to passenger-side brake cluster components.	

5
G
E

5
G
E



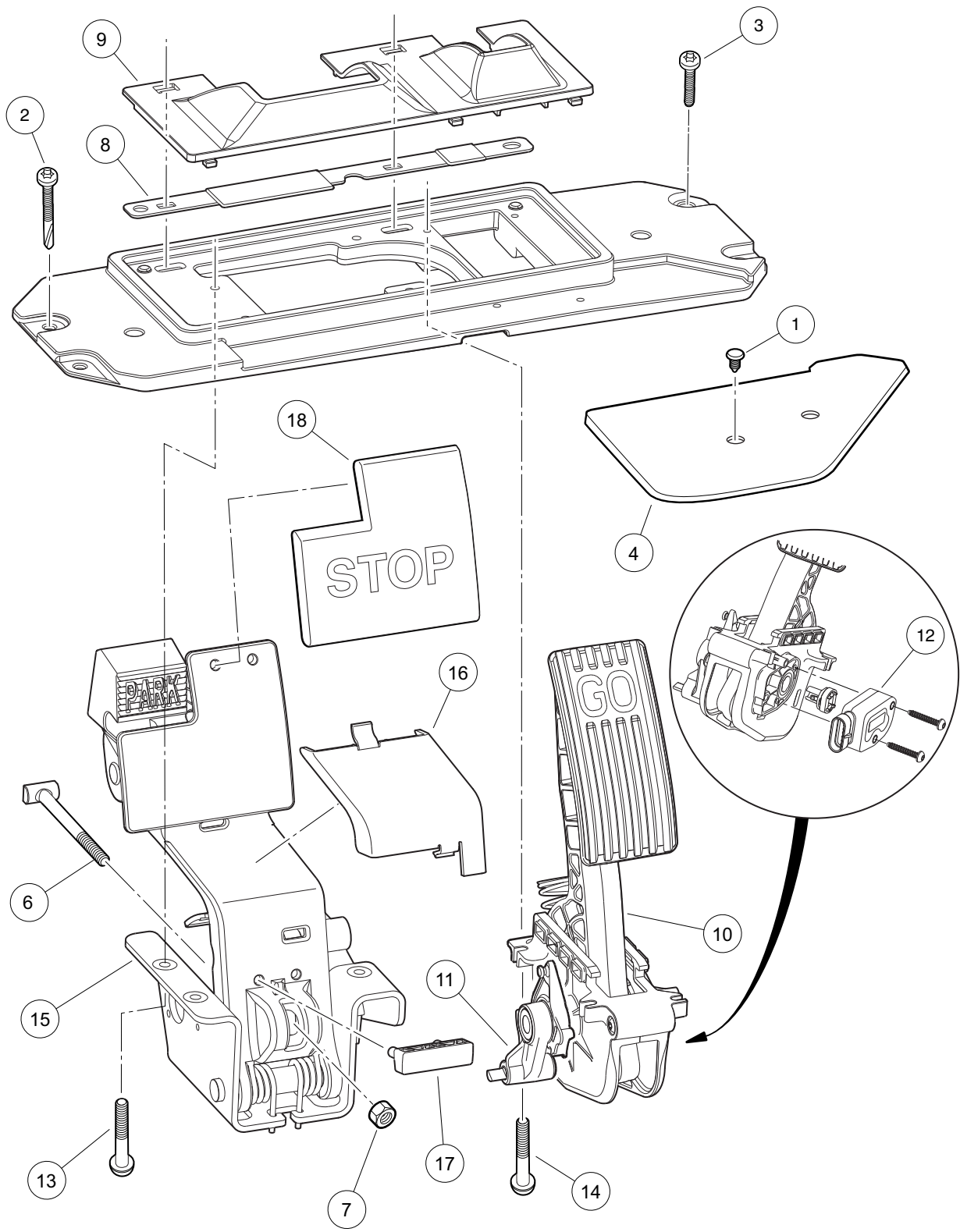
000467-006

BRAKE CABLES AND EQUALIZER BRACKET

ITEM	PART NO.	DESCRIPTION	QTY
		1 2 3 4	
1	102297901	Bolt, 5/16-18 X 7.375, Hex	1
2	102551901	Washer, 5/16, Self Comp, Cup	1
3	102552001	Washer, 5/16, Self Comp, Cone	1
4	102594301	Nut, 5/16-18, Hex Adjusting -l	1
5	103528701	Kit, Brake Cable, Passenger-side (includes items 6 through 8)	1
6	1010829	Pin, Clevis, 5/16 X 3/4	1
7	102292801	Pin, Bow Tie Locking - .072	1
8	N/A	Cable, Brake, Right	1
9	103528702	Kit, Brake Cable, Driver-side (includes items 10 through 12)	1
10	1010829	Pin, Clevis, 5/16 X 3/4	1
11	102292801	Pin, Bow Tie Locking - .072	1
12	N/A	Cable, Brake, Left	1
13	103535001	Bracket, Equalizer	1
14	1242	Nut, 5/16-18 Hex	1

5
G
E

5
G
E



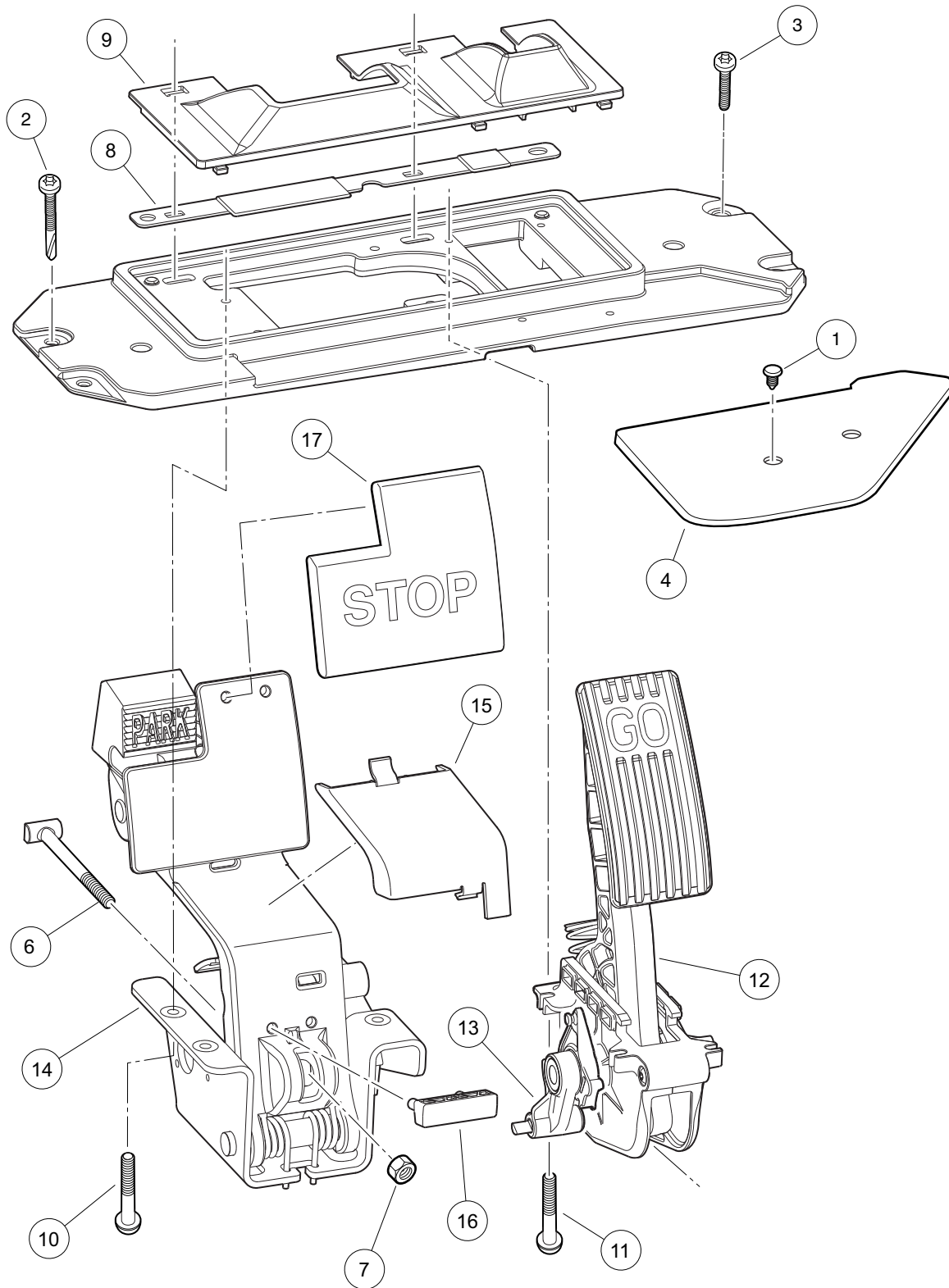
000487-015

PEDAL GROUP WITH SENSOR – GASOLINE VEHICLE

ITEM	PART NO.	DESCRIPTION	QTY
		1 2 3 4	
1	1010434	Barrel - Plastic	1
2	102292201	Screw-1/4-20x2.20 Tx Pn Hd Sd	2
3	102298030	Screw, K80x30, Torx Pn Hd Pt	2
4	102500801	Plate - Floor Cover	1
5	103974815	Asm, Pedal Set, Anodized, Service, Gas Vehicle (includes items 6 through 15)	1
6	102559401	Rod, Brake	1
7	102559701	Nut, Brake Rod	1
8	102594801	Shield, Debris Aux	1
9	102594901	Shield, Debris Primary	1
10	102595502	Asm, Accel. Pedal/Throttle, Anodized, Gas Vehicle (includes items 11 and 12)	1
11	103777601	Asm, Park Brake Release, Anodized	1
12	N/A	Throttle Sensor	1
13	102595901	Screw, M6x1.0x17 Ph, Taptite	4
14	102596001	Screw, M5x0.8x18 Ph, Taptite	4
15	103974901	Asm, Brake Pedal, Anodized (includes items 16 through 18)	1
16	102595201	Cover, Brake	1
17	102595301	Upstop, Brake	1
18	102595401	Pad, Brake	1
<p>Note: Item 5 is not illustrated as a complete assembly. All detail parts are identified in the illustration.</p>			

5
G
E

5
G
E



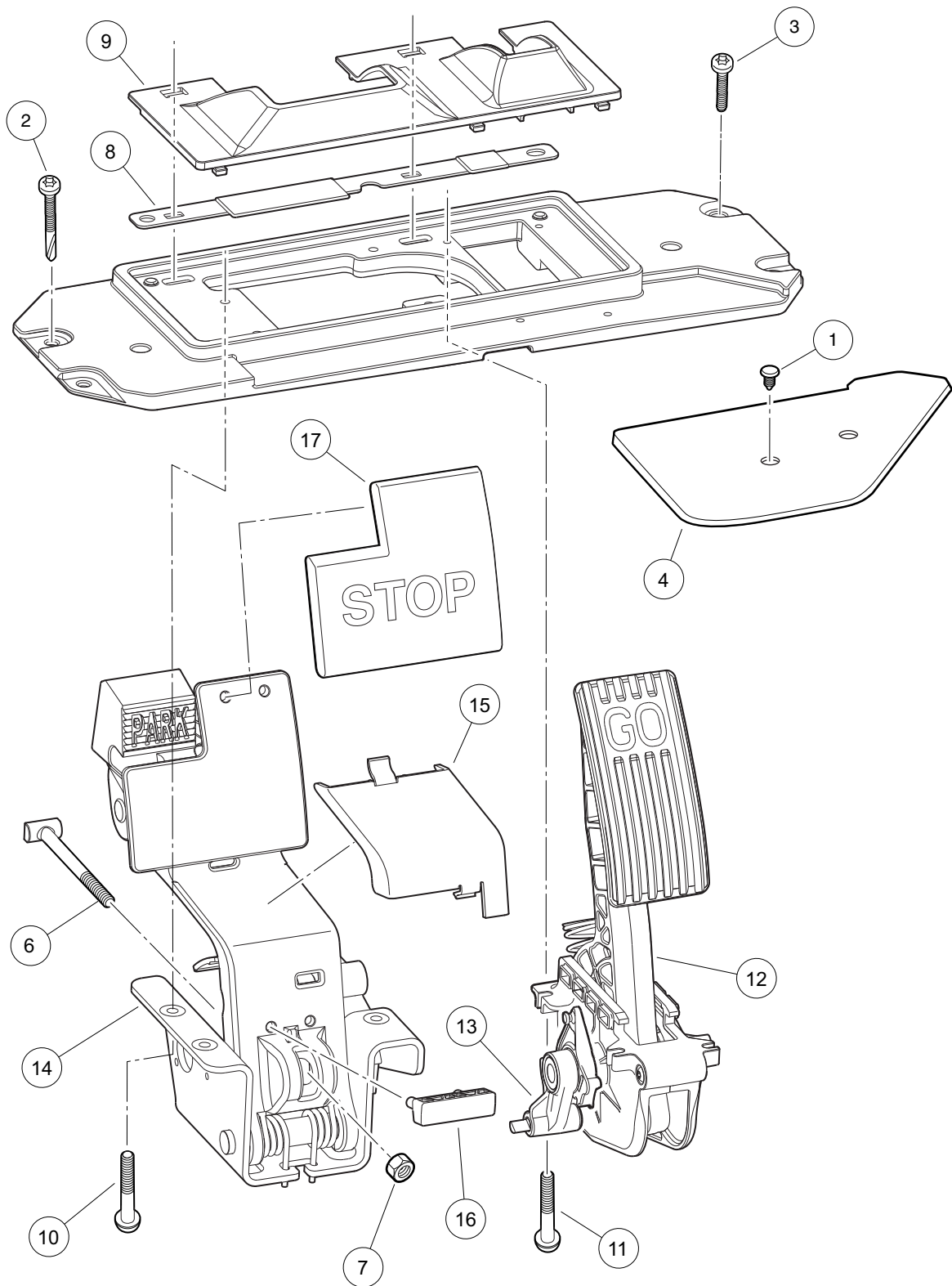
000487-018

PEDAL GROUP W/O SENSOR, GASOLINE VEHICLE

ITEM	PART NO.	DESCRIPTION	QTY
		1 2 3 4	
1	1010434	Barrel - Plastic	1
2	102292201	Screw-1/4-20x2.20 Tx Pn Hd Sd	2
3	102298030	Screw, K80x30, Torx Pn Hd Pt	2
4	102500801	Plate - Floor Cover	1
5	103974821	Asm, Pedal, Anodized, Field Service, Gas or Elec (includes items 6 through 14)	1
6	102559401	Rod, Brake	1
7	102559701	Nut, Brake Rod	1
8	102594801	Shield, Debris Aux	1
9	102594901	Shield, Debris Primary	1
10	102595901	Screw, M6x1.0x17 Ph, Taptite	4
11	102596001	Screw, M5x0.8x18 Ph, Taptite	4
12	102596301	Pedal, Accelerator, Anodized (includes item 13)	1
13	103777601	Asm, Park Brake Release, Anodized	1
14	103974901	Asm, Brake Pedal, Anodized (includes items 15 through 17)	1
15	102595201	Cover, Brake	1
16	102595301	Upstop, Brake	1
17	102595401	Pad, Brake	1
<p>Note: Pedal Assembly (item 5) has no sensor and is common to both gas and electric vehicles. Item 5 is not illustrated as a complete assembly. All applicable details are illustrated.</p>			

5
G
E

5
G
E



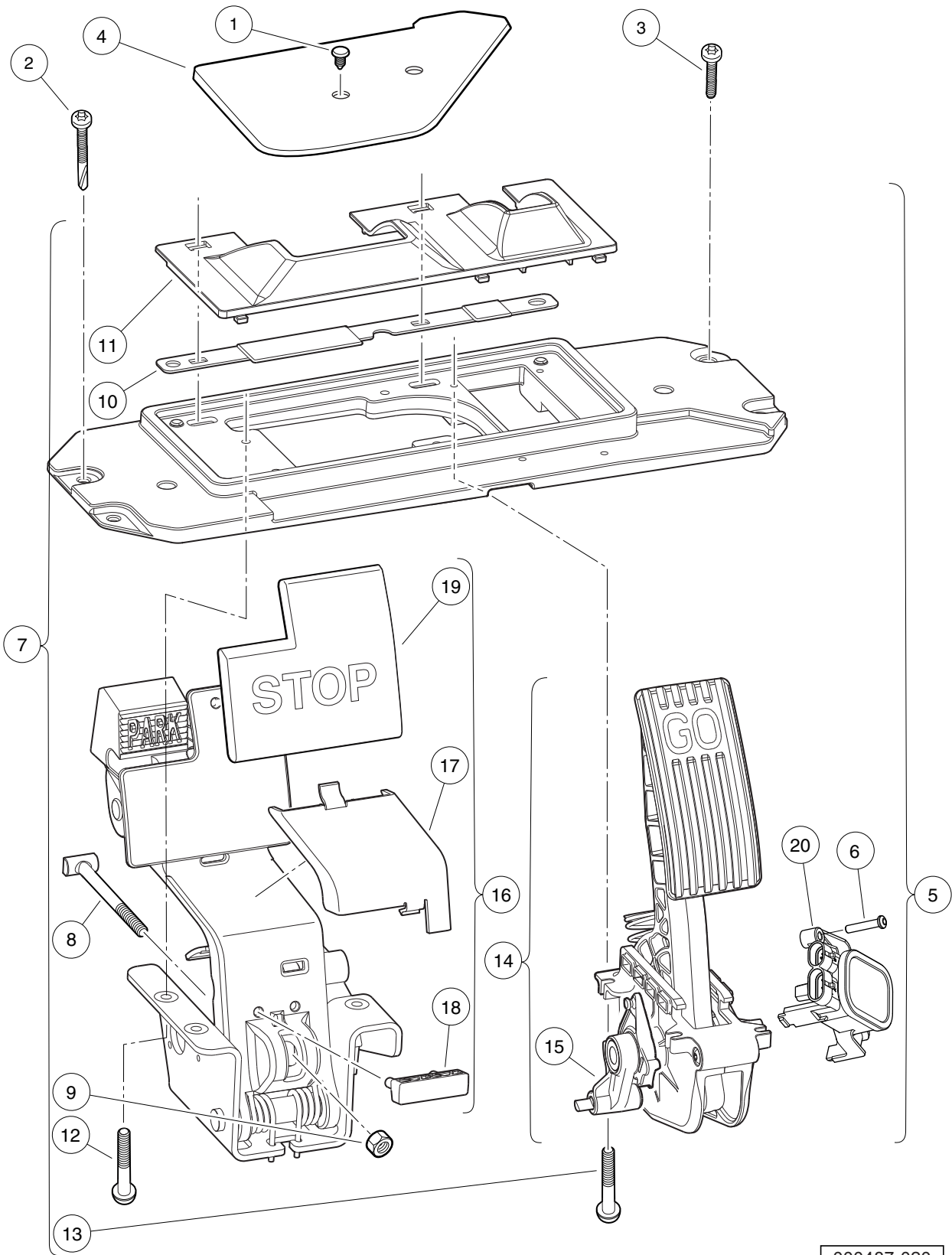
000487-016

PEDAL GROUP W/O MCOR – ELECTRIC VEHICLE

ITEM	PART NO.	DESCRIPTION	QTY
		1 2 3 4	
1	1010434	Barrel - Plastic	1
2	102292201	Screw-1/4-20x2.20 Tx Pn Hd Sd	2
3	102298030	Screw, K80x30, Torx Pn Hd Pt	2
4	102500801	Plate - Floor Cover	1
5	103974821	Asm, Pedal, Anodized, Field Service, Gas or Elec (includes items 6 through 14)	1
6	102559401	Rod, Brake	1
7	102559701	Nut, Brake Rod	1
8	102594801	Shield, Debris Aux	1
9	102594901	Shield, Debris Primary	1
10	102595901	Screw, M6x1.0x17 Ph, Taptite	4
11	102596001	Screw, M5x0.8x18 Ph, Taptite	4
12	102596301	Pedal, Accelerator, Anodized (includes item 13)	1
13	103777601	Asm, Park Brake Release, Anodized	1
14	103974901	Asm, Brake Pedal, Anodized (includes items 15 through 17)	1
15	102595201	Cover, Brake	1
16	102595301	Upstop, Brake	1
17	102595401	Pad, Brake	1
<p>Note: Pedal Assembly (item 5) has no MCOR and is common to both gas and electric vehicles. Item 5 is not illustrated as a complete assembly. All applicable details are illustrated.</p>			

5
G
E

5
G
E



000487-020

PEDAL GROUP WITH MCOR – ELECTRIC VEHICLE

ITEM	PART NO.	DESCRIPTION	QTY
		1 2 3 4	
1	1010434	Barrel - Plastic	1
2	102292201	Screw-1/4-20x2.20 Tx Pn Hd Sd	2
3	102298030	Screw, K80x30, Torx Pn Hd Pt	2
4	102500801	Plate - Floor Cover	1
5	103874111	Asm, Pedal Set, No Switch, w/MCOR, Service (includes items 6 through 20)	1
6	103943401	Screw, Pan, #10 X 1.00 Hi-lo	1
7	103975011	Asm, Pedal Set, No Switch, Service (includes items 8 through 16)	1
8	102559401	Rod, Brake	1
9	102559701	Nut, Brake Rod	1
10	102594801	Shield, Debris Aux	1
11	102594901	Shield, Debris Primary	1
12	102595901	Screw, M6x1.0x17 Ph, Taptite	4
13	102596001	Screw, M5x0.8x18 Ph, Taptite	4
14	102596301	Pedal, Accelerator, Anodized (includes item 15)	1
15	103777601	Asm, Park Brake Release, Anodized	1
16	103974901	Asm, Brake Pedal, Anodized (includes items 17 through 19)	1
17	102595201	Cover, Brake	1
18	102595301	Upstop, Brake	1
19	102595401	Pad, Brake	1
20	105116301	MCOR4, Type 16 Switch	1
<p>Note: See the Electrical System Section for more MCOR information.</p>			

5
G
E

5

G

E

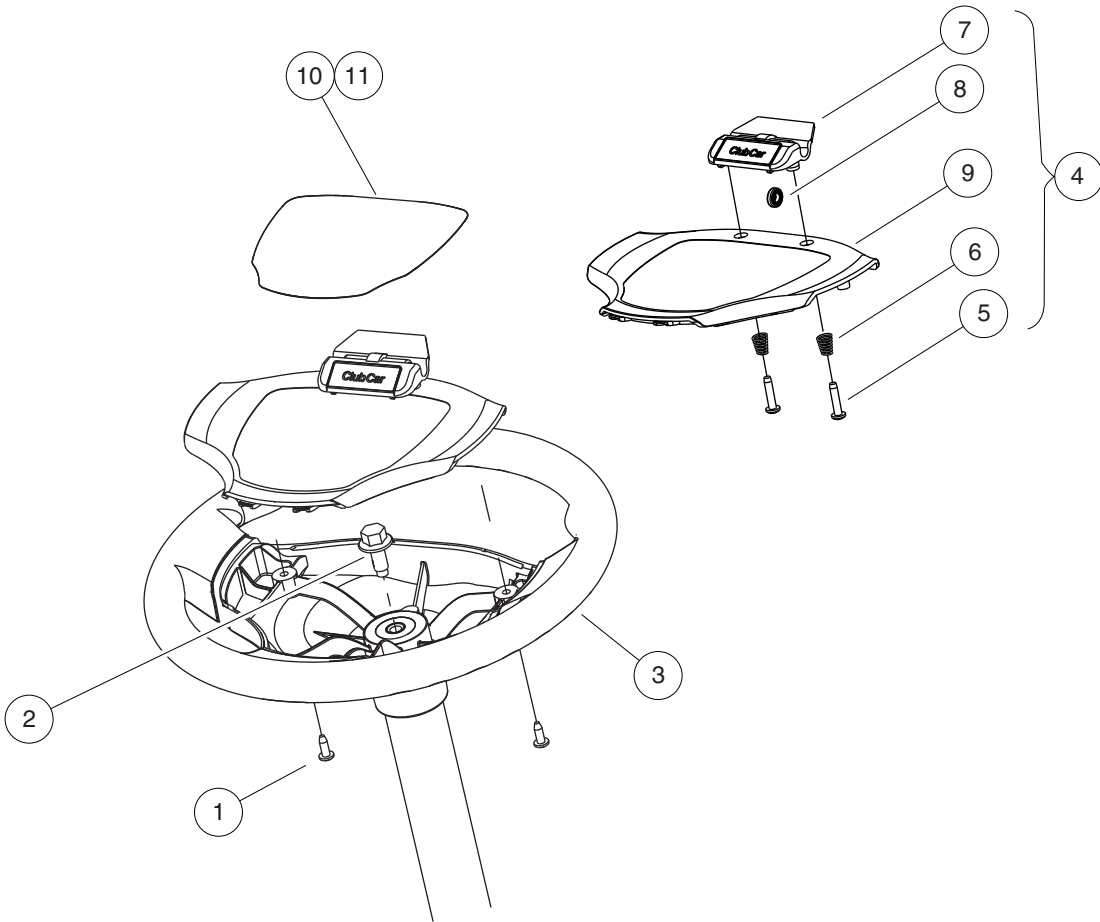
STEERING, FRONT AND REAR SUSPENSION

6

G

E

6
G
E

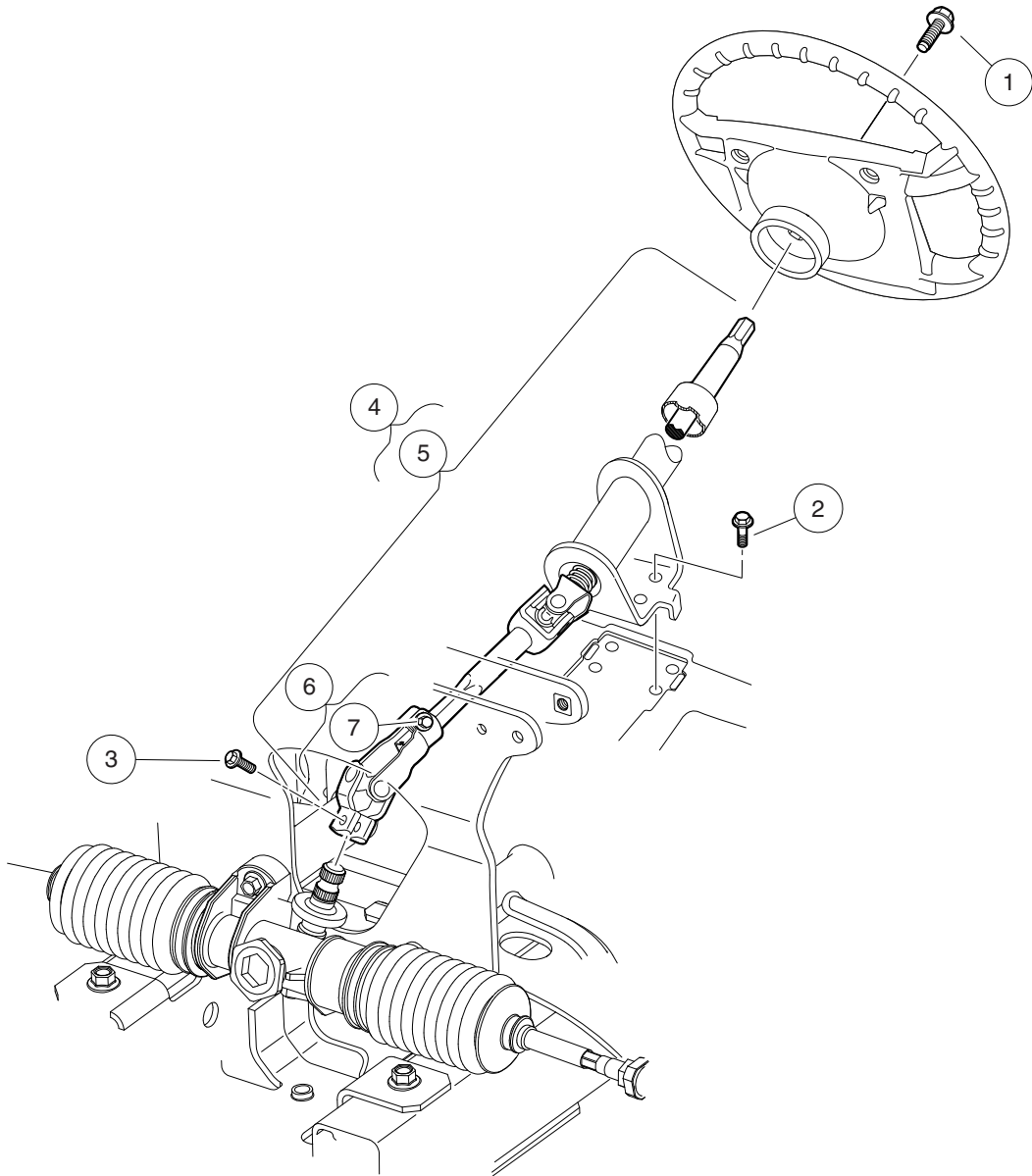


000470-005

STEERING WHEEL

ITEM	PART NO.	DESCRIPTION	QTY
		1 2 3 4	
1	101850301	Screw, #12-16 X 0.50 Washer-Head Hi-Lo	2
2	102290120	Bolt, M10 X 20 Hex Washer Hd	1
3	103724501	Steering Wheel, Hex	1
4	103724901	Asm, Scorecard, Clip (includes items 5 through 9)	1
5	1012565	Screw, #12 Phillips Round Head	2
6	1012566	Tapered Compression Spring	2
7	1016154	Clip, Scorecard	1
8	1016214	Pencil Grip	1
9	103724601	Cover, Steering Wheel, Clip	1
10	103783001	Decal, Op Instr, Ele	1
11	103783002	Decal, Op Instr, Gas Ps	1

6
G
E

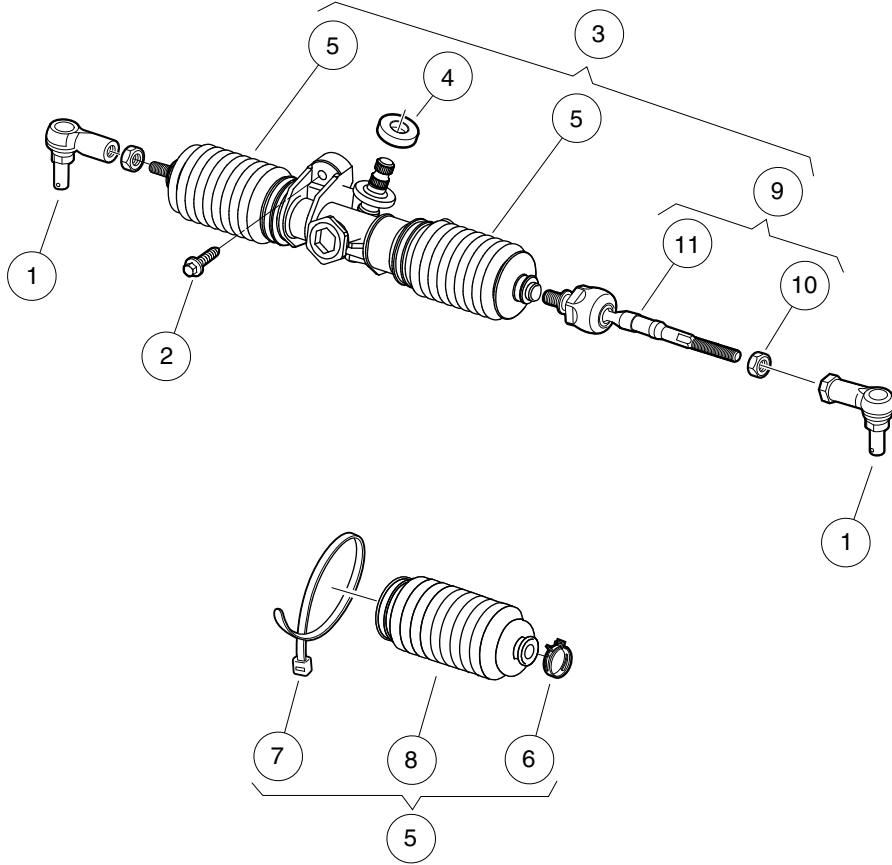


000469-007

STEERING COLUMN

ITEM	PART NO.	DESCRIPTION	QTY
		1 2 3 4	
1	102290120	Bolt, M10 X 20 Hex Washer Hd	1
2	102298116	Bolt, Flanged Head, M8 X 16.0	4
3	102298130	Bolt, Flange Head, M8 X 30.0	1
4	105049001	Kit, Inner Steering Clmn (includes item 5)	1
5	105068601	Asm, Column, Inner (includes item 6)	1
6	103810201	Kit, Lower Yoke, Wanda (includes item 7)	1
7	102298130	Bolt, Flange Head, M8 X 30.0	1

6
G
E



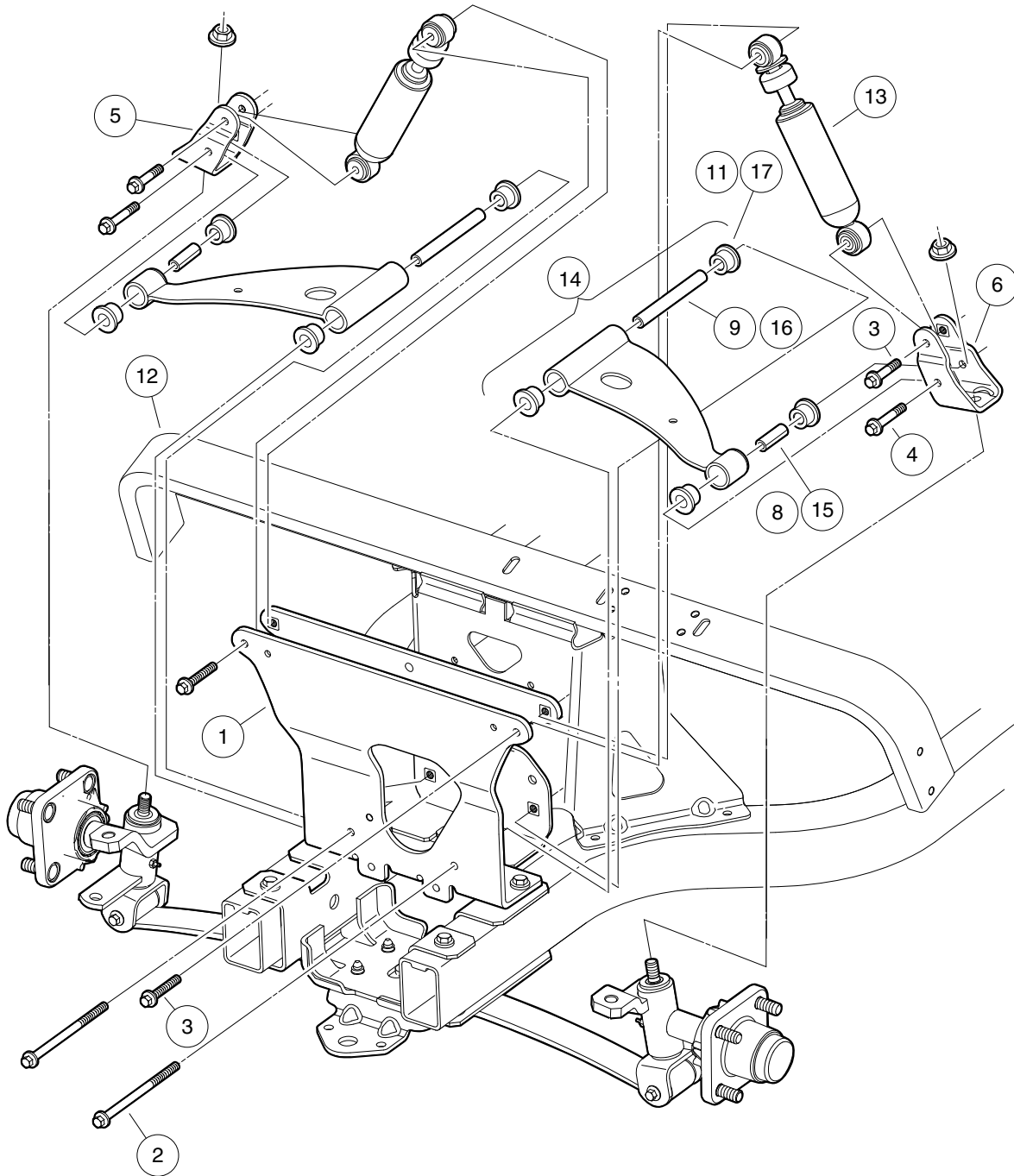
000476-005

STEERING GEAR ASSEMBLY

ITEM	PART NO.	DESCRIPTION	QTY
		1 2 3 4	
1	102022601	End, Tie Rod M12 X 1.25 Rh	2
2	102289001	Screw, M8X1.25X30, Hex	3
3	103679701	Asm, Rack & Pinion (includes items 4 through 9)	1
4	102565201	Seal, Dust, Steering Pinion	1
5	103826201	Bellow Kit, Steering-sona (includes items 6 through 8)	2
6	102566001	Clip, Steering	1
7	8990	Tie Wrap, 8" Nylon	1
8	N/A	Bellows	1
9	103826301	Kit, IBJ (Inner Ball Joint), Steering-sona (includes items 10 and 11)	2
10	1013042	Nut, 12mm Hex	1
11	N/A	Inner Ball Joint	1

6
G
E

6
G
E



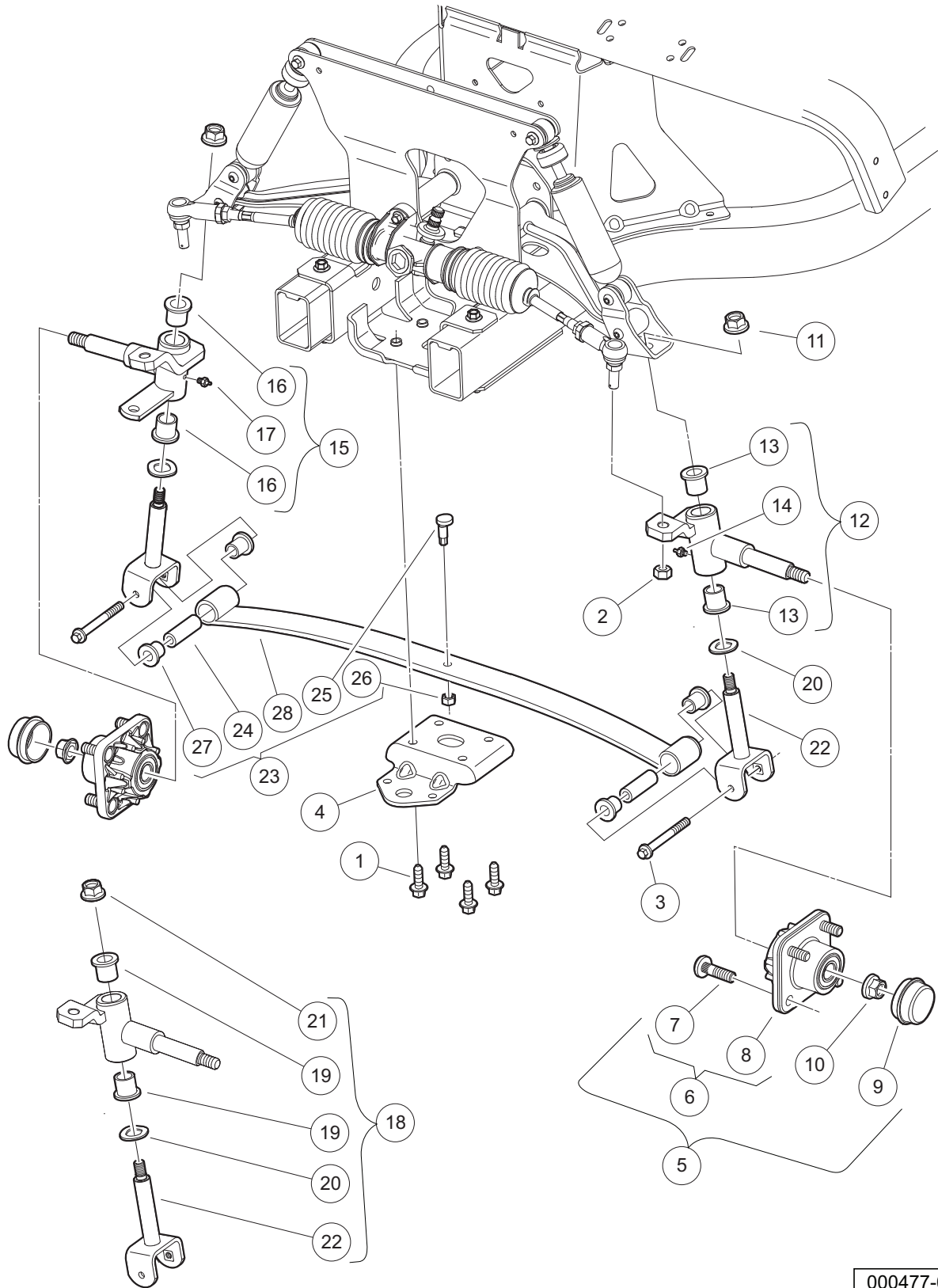
000445-005

FRONT SUSPENSION, UPPER

ITEM	PART NO.	DESCRIPTION	QTY
		1 2 3 4	
1	102287101	Assembly - Front Structure	1
2	102288901	Bolt, Hex, M8x1.25 X 135	2
3	102289401	Screw- Hex Cap, M8 X 1.25 X 45	4
4	102289501	Screw- Hex Cap, M8 X 1.25 X 70	2
5	102289601	Upper Clevis Assembly, Passenger-side	1
6	102289701	Upper Clevis Assembly, Driver-side	1
7	102289901	Kit, Susp, Bushing Joints (includes items 8 through 11)	1
8	102287601	Sleeve - Rolled, Outer	2
9	102287701	Sleeve - Rolled, Inner	2
10	102288101	Sleeve - Rolled, Spring	2
11	102956201	Bushing, Urethane, Short	12
12	102505701	Assembly, Dash Support	1
13	102588601	Shock Absorber Front	2
14	103388501	Asm, 3 Piece A-arm, Bushings (includes items 15 through 17)	2
15	102287601	Sleeve - Rolled, Outer	1
16	102287701	Sleeve - Rolled, Inner	1
17	102956201	Bushing, Urethane, Short	4
		Note: Item 7 (not shown) includes bushings and sleeves for control arms and front suspension leaf spring. See lower suspension page for illustration of item 10 (not shown).	

6
G
E

6
G
E



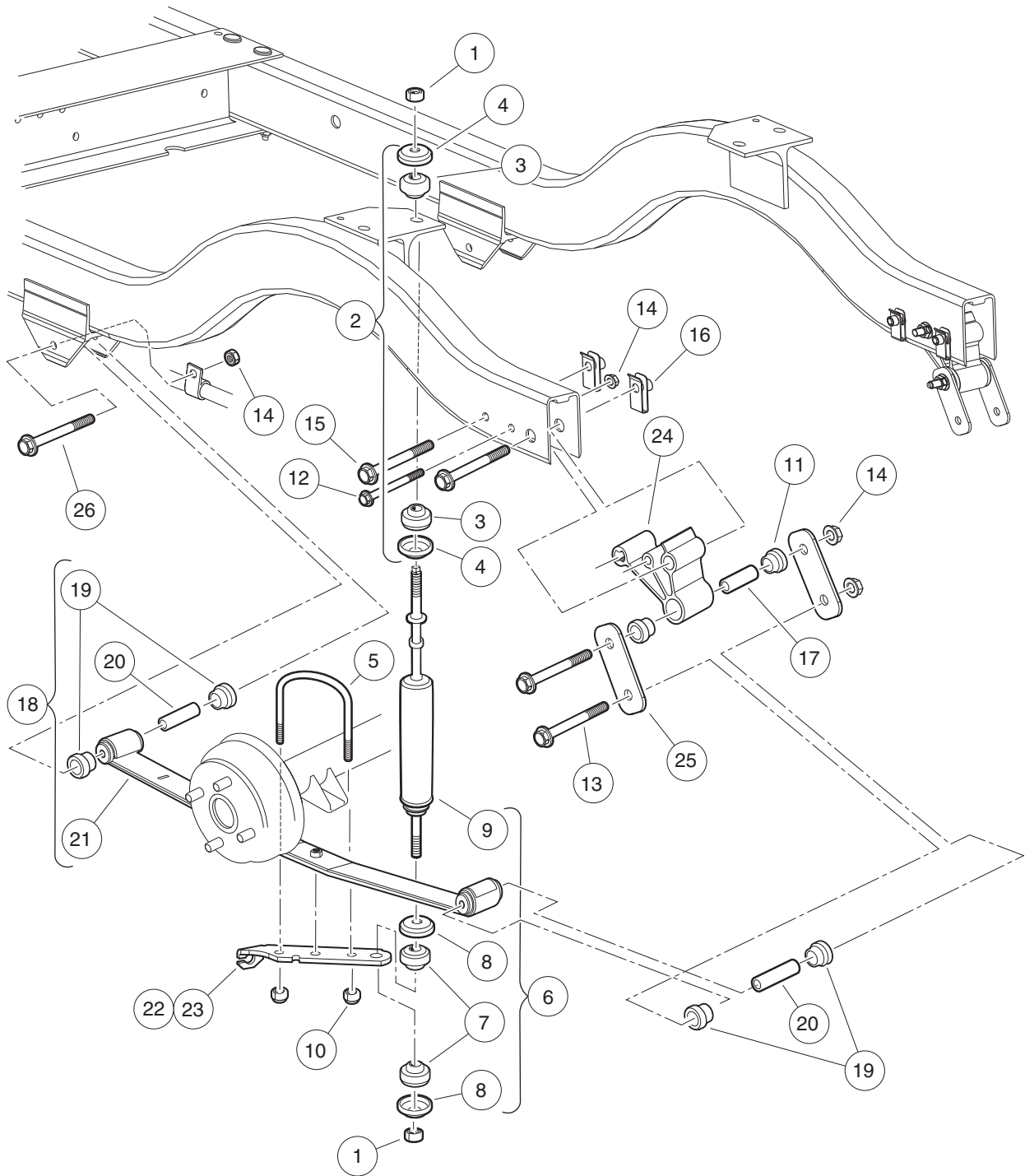
000477-009

FRONT SUSPENSION, LOWER

ITEM	PART NO.	DESCRIPTION	QTY
		1 2 3 4	
1	102289101	Screw-m10x1.5, Trilob, Hex Fl	4
2	102289201	Nut - Hex Locking, M12 X 1.25	2
3	102289501	Screw- Hex Cap, M8 X 1.25 X 70	2
4	102289801	Clamp - Leaf Spring	1
5	102357701	Replacement Kit, Front Hub (includes items 6 through 10)	1
6	N/A	Front Hub Assembly, Ball Bearing (includes items 7 and 8)	1
7	102353401	Lug Stud, 1/2-20 UNF, 4037 Stl	4
8	N/A	Hub, Front	1
9	102353201	Cap, Front Hub	1
10	102353301	Hex Nut, Locking Flange, M14x2	1
11	102878201	Nut, Lock,m12,washer,conical	2
12	103638701	Asm, Spindle, with Bushings, Driver-side (includes items 13 and 14)	1
13	102288201	Bushing - Flanged	2
14	N/A	Fitting, Grease, Knuckle Spindle Asym	1
15	103638702	Asm, Spindle, with Bushings, Passenger-side (includes items 16 and 17)	1
16	102288201	Bushing - Flanged	2
17	N/A	Fitting, Grease, Knuckle Spindle Asym	1
18	103638801	Kit, King Pin Joints (includes items 19 through 22)	1
19	102288201	Bushing - Flanged	4
20	102288401	Wave Washer - Kingpin	2
21	102878201	Nut, Lock,m12,washer,conical	2
22	103638601	Asm, King Pin, M12	2
23	103935601	Asm, Spring, Leaf, Front, 50.4 (includes items 24 through 28)	1
24	102288101	Sleeve - Rolled, Spring	2
25	102288701	Eccentric Bolt	1
26	102288801	Nut-hex, 3/8-16	1
27	102956201	Bushing, Urethane, Short	2
28	105187901	Spring, Leaf, Front, 50.4	1

6
G
E

6
G
E



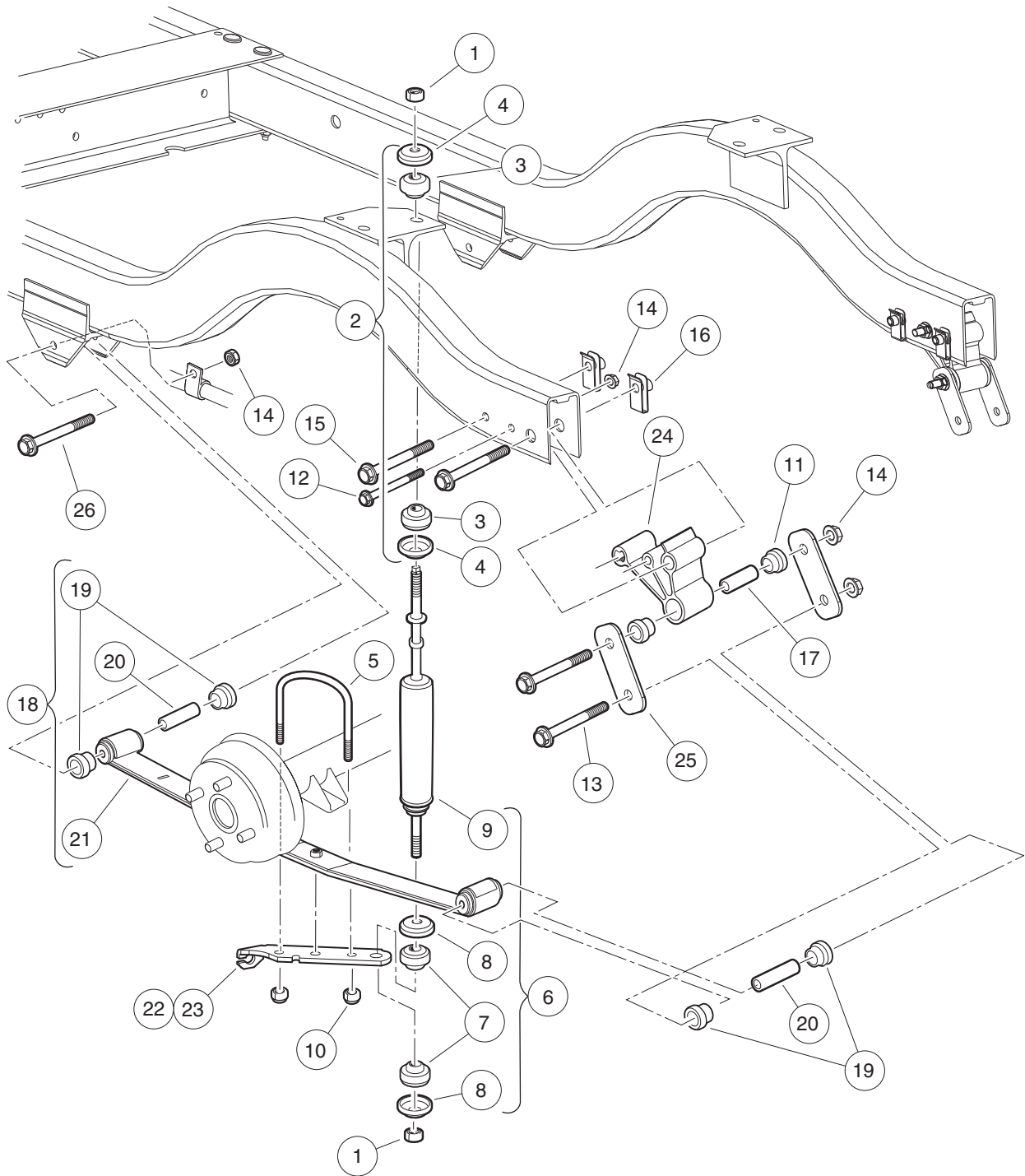
000446-005

REAR SUSPENSION, GASOLINE VEHICLE

ITEM	PART NO.	DESCRIPTION	QTY
		1 2 3 4	
1	1010145	Nut, 3/8-24 Hex	4
2	1011415	Kit, Shock Absorber Cushion (includes items 3 and 4)	2
3	N/A	Retainer, Shock Absorber Cushion	2
4	47579096001	Isolator, Shock Damper	2
5	1012180	U-Bolt	2
6	1013164	Shock Absorber Kit (includes items 7 through 9)	1
7	N/A	Cushion, Shock Absorber	8
8	N/A	Retainer, Shock Absorber Cushion	8
9	102588501	Shock Absorber, Rear	2
10	1014555	Locknut, 7/16-14 Nylon Hex	4
11	1015583	Bushing, Urethane	4
12	102298170	Bolt - Flange Hd, M8 X 70.0	2
13	102298175	Bolt - Flange Hd, M8 X 75.0	2
14	102298401	Nut,m8,all Metal Lock	8
15	102298580	M8-1.25 X 80 Sems	4
16	102298601	J-clip - M8 X 1.25	4
17	102506401	Sleeve - Spring Eye Mounts	2
18	103742305	Asm, Rear Leaf Spring, Light (includes items 19 through 21)	2
19	101558302	Bushing, Urethane, Soft	4
20	102506401	Sleeve - Spring Eye Mounts	2
21	N/A	Leaf Spring, Rear, Light	1
22	103921601	Bracket, Shock Mounting, Drv	1
23	103921602	Bracket, Shock Mounting, Pas	1
24	103964901	Spacer, Rail, Shackle	2
25	103965001	Brkt, Shackle, Rear	4
26	105188185	Bolt, M8 X 85mm, 10.9 Grade	4

6
G
E

6
G
E



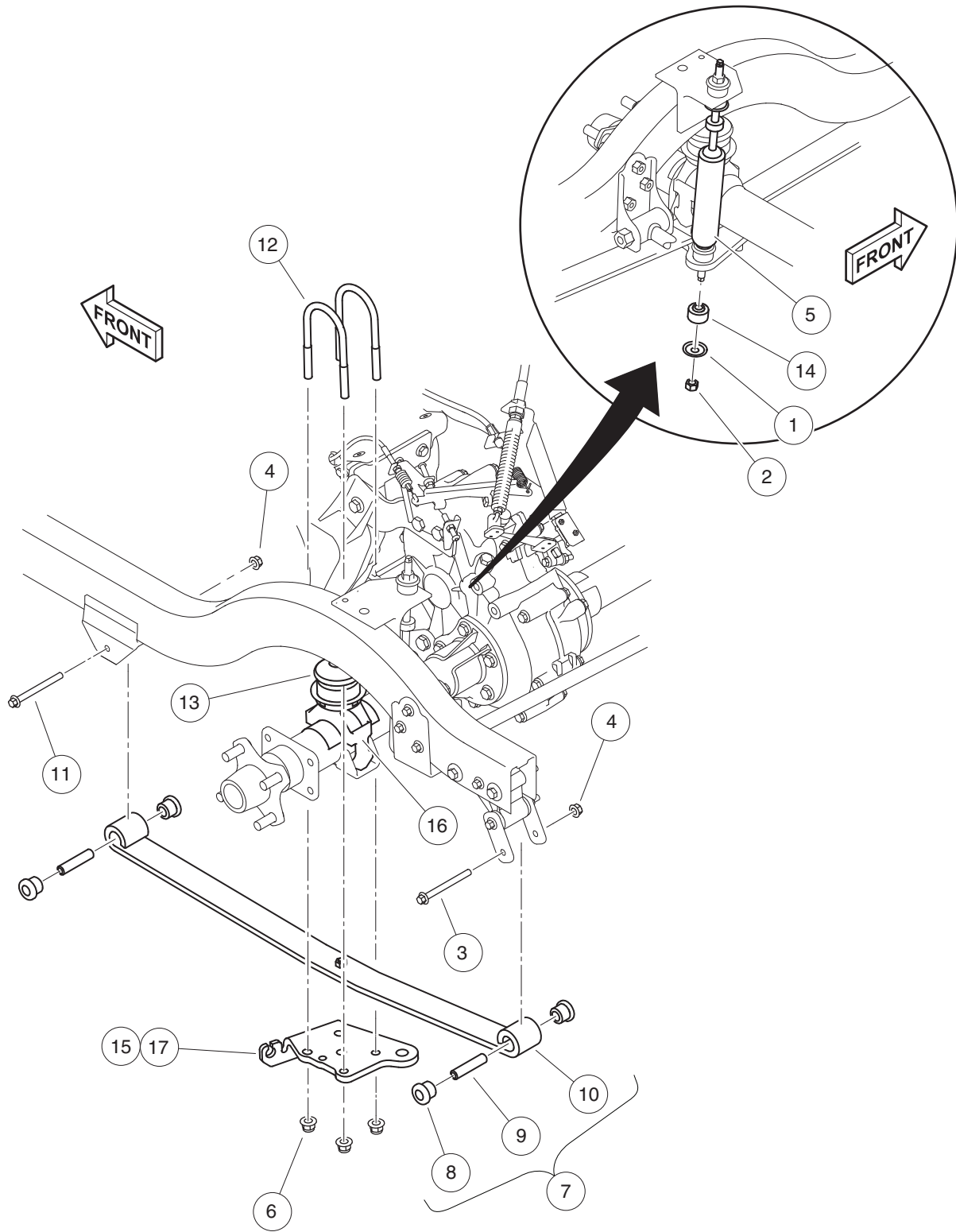
000446-005

REAR SUSPENSION, ELECTRIC VEHICLE

ITEM	PART NO.	DESCRIPTION	QTY
		1 2 3 4	
1	1010145	Nut, 3/8-24 Hex	4
2	1011415	Kit, Shock Absorber Cushion (includes items 3 and 4)	2
3	N/A	Retainer, Shock Absorber Cushion	2
4	47579096001	Isolator, Shock Damper	2
5	1012180	U-Bolt	2
6	1013164	Shock Absorber Kit (includes items 7 through 9)	1
7	N/A	Cushion, Shock Absorber	8
8	N/A	Retainer, Shock Absorber Cushion	8
9	102588501	Shock Absorber, Rear	2
10	1014555	Locknut, 7/16-14 Nylon Hex	4
11	1015583	Bushing, Urethane	4
12	102298170	Bolt - Flange Hd, M8 X 70.0	2
13	102298175	Bolt - Flange Hd, M8 X 75.0	2
14	102298401	Nut,m8,all Metal Lock	8
15	102298580	M8-1.25 X 80 Sems	4
16	102298601	J-clip - M8 X 1.25	4
17	102506401	Sleeve - Spring Eye Mounts	2
18	103742304	Asm, Rear Leaf Spring, Std (includes items 19 through 21)	2
19	101558302	Bushing, Urethane, Soft	4
20	102506401	Sleeve - Spring Eye Mounts	2
21	N/A	Leaf Spring, Rear, Std	1
22	103921601	Bracket, Shock Mounting, Drv	1
23	103921602	Bracket, Shock Mounting, Pas	1
24	103964901	Spacer, Rail, Shackle	2
25	103965001	Brkt, Shackle, Rear	4
26	105188185	Bolt, M8 X 85mm, 10.9 Grade	4

6
G
E

6
G
E



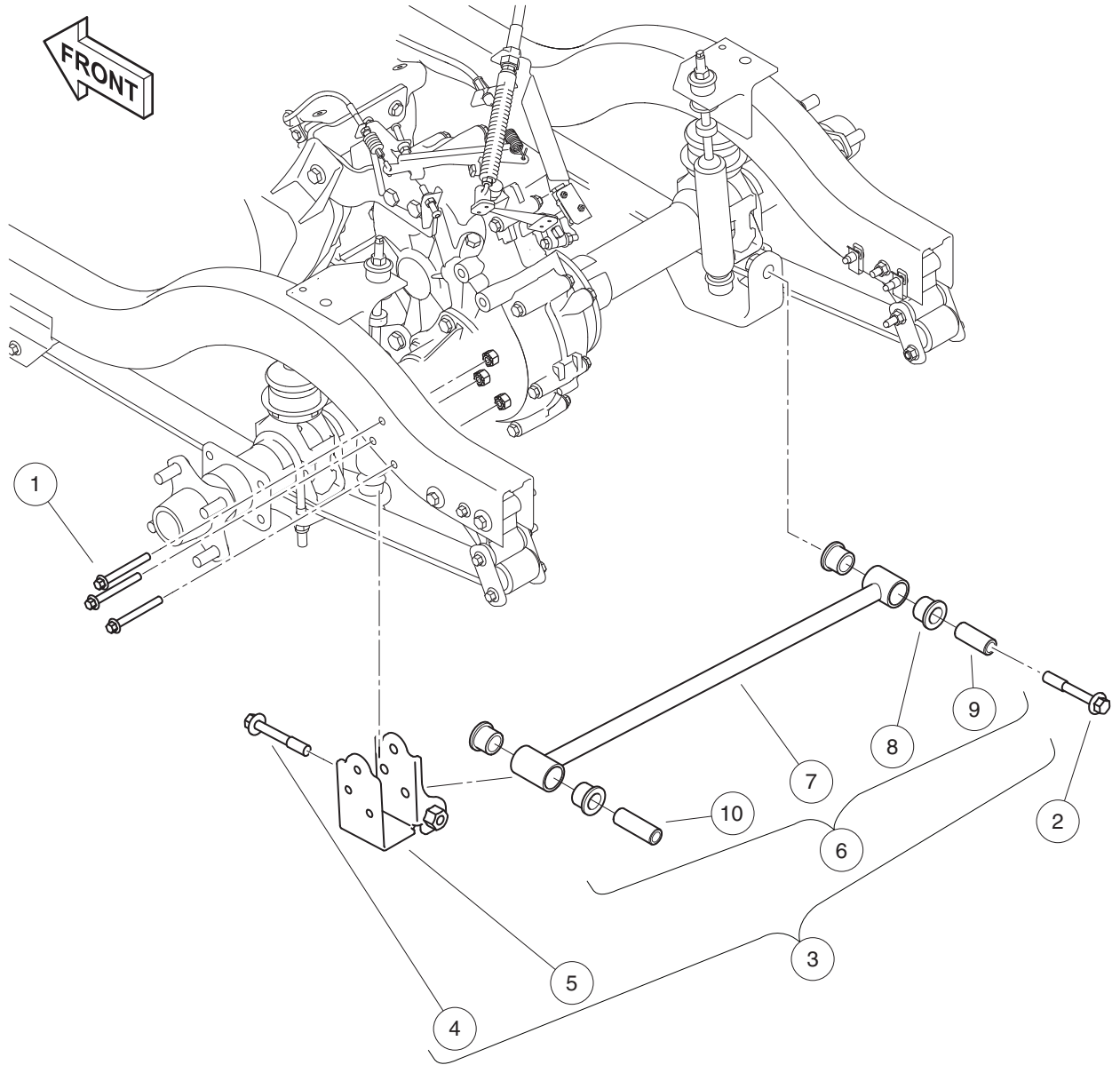
001396-001

REAR SUSPENSION, GASOLINE 4-PASSENGER – CONSUMER

ITEM	PART NO.	DESCRIPTION	QTY
		1 2 3 4	
1	N/A	Retainer, Shock Absorber Cushion	8
2	1010145	Nut, 3/8-24 Hex	4
3	102298175	Bolt - Flange Hd, M8 X 75.0	2
4	102298401	Nut,m8,all Metal Lock	4
5	102588501	Shock Absorber, Rear	2
6	102670701	Nut, Flange, M10 X 1.5 Nylon	8
7	103742304	Asm, Rear Leaf Spring, Std (includes items 8 through 10)	2
8	101558302	Bushing, Urethane, Soft	4
9	102506401	Sleeve - Spring Eye Mounts	2
10	N/A	Leaf Spring, Rear, Std	1
11	105188185	Bolt, M8 X 85mm, 10.9 Grade	2
12	105188701	U-bolt, M10x1.5x58	4
13	47576196001	Bumper, Jounce, D-255828	2
14	47579096001	Isolator, Shock Damper	8
15	47583665001	Bracket, U-bolt, with Panhard Mount, Passenger-side	1
16	47583666001	Bracket, Perch, Bumper, Jounce	2
17	47583912001	Bracket, U-bolt, Driver-side	1

6
G
E

6
G
E



001392-001

PANHARD ROD

ITEM	PART NO.	DESCRIPTION	QTY
		1 2 3 4	
1	102298170	Bolt - Flange Hd, M8 X 70.0	3
2	103146501	Bolt, Flg, M12 X 1.75 X 80	1
3	47577865001	Assy, Panhard and Frame Rail Bracket (includes items 4 through 6)	1
4	103146501	Bolt, Flg, M12 X 1.75 X 80	1
5	47576649001	Bkt, Frame Rail, Panhard	1
6	47577864001	Asm, Rod, Panhard (includes items 7 through 10)	1
7	47576650001	Assy, Weldment, Panhard	1
8	47576651001	Bushing, Slip, 3390000-160802	4
9	47576652001	Sleeve, Bushing, Panhard, Short	1
10	47576652002	Sleeve, Bushing, Panhard, Long	1

6
G
E

6

G

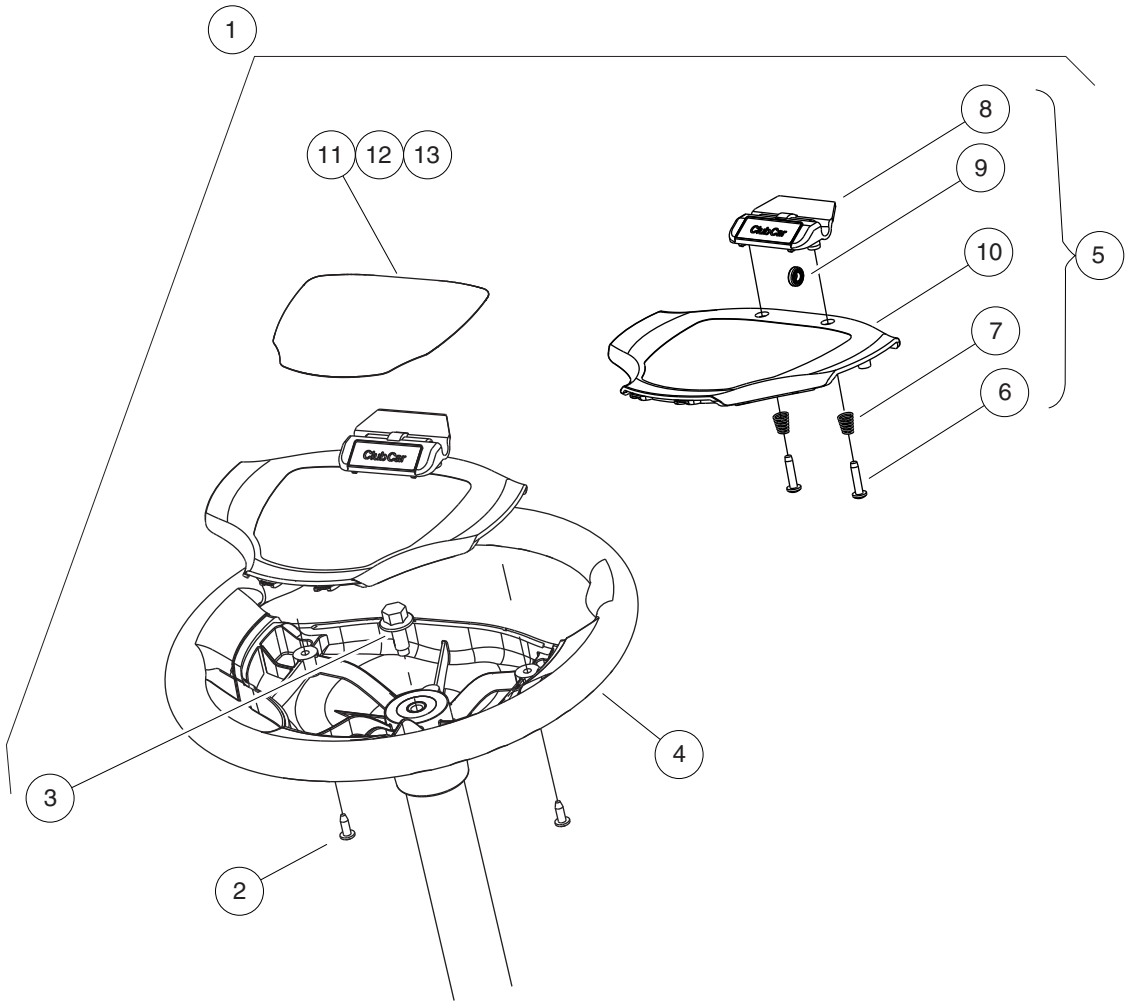
E

STEERING, FRONT AND REAR SUSPENSION – LIFTED

7

G

E

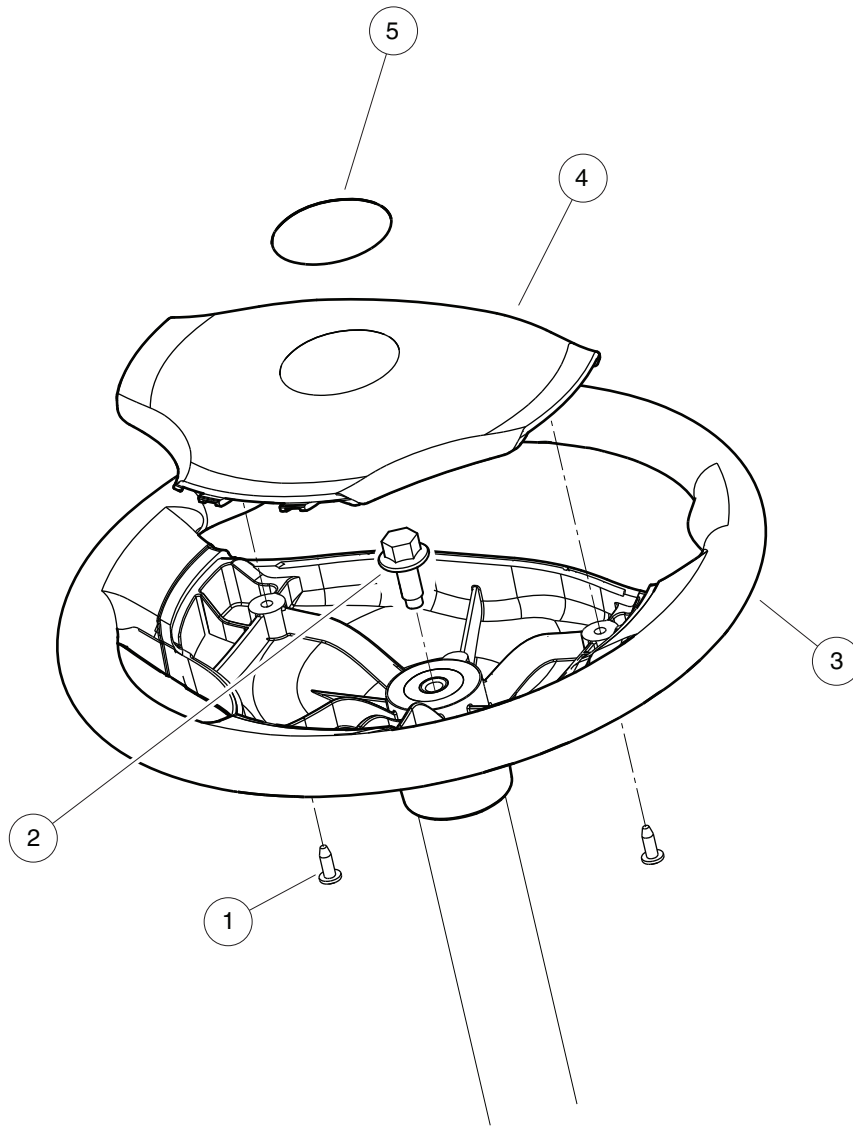


000470-002

STEERING WHEEL, COMFORT GRIP WITH CLIP

ITEM	PART NO.	DESCRIPTION	QTY
		1 2 3 4	
1	103796701	Kit, Hex, Steering Wheel (includes items 2 through 13)	1
2	101850301	Screw, #12-16 X 0.50 Washer-Head Hi-Lo	2
3	102290120	Bolt, M10 X 20 Hex Washer Hd	1
4	103724503	Steering Wheel, Soft Grip, Hex	1
5	103724901	Asm, Scorecard, Clip (includes items 6 through 10)	1
6	1012565	Screw, #12 Phillips Round Head	2
7	1012566	Tapered Compression Spring	2
8	1016154	Clip, Scorecard	1
9	1016214	Pencil Grip	1
10	103724601	Cover, Steering Wheel, Clip	1
11	103783001	Decal, Op Instr, Ele	1
12	103783002	Decal, Op Instr, Gas Ps	1
13	103783003	Decal, Op Instr, Gas Ks	1
<p style="margin-left: 40px;">Note: Refer to the Decal section of this manual or to the applicable Operator Manual for this vehicle to make sure which Operating Instructions Decal applies.</p>			

7
G
E

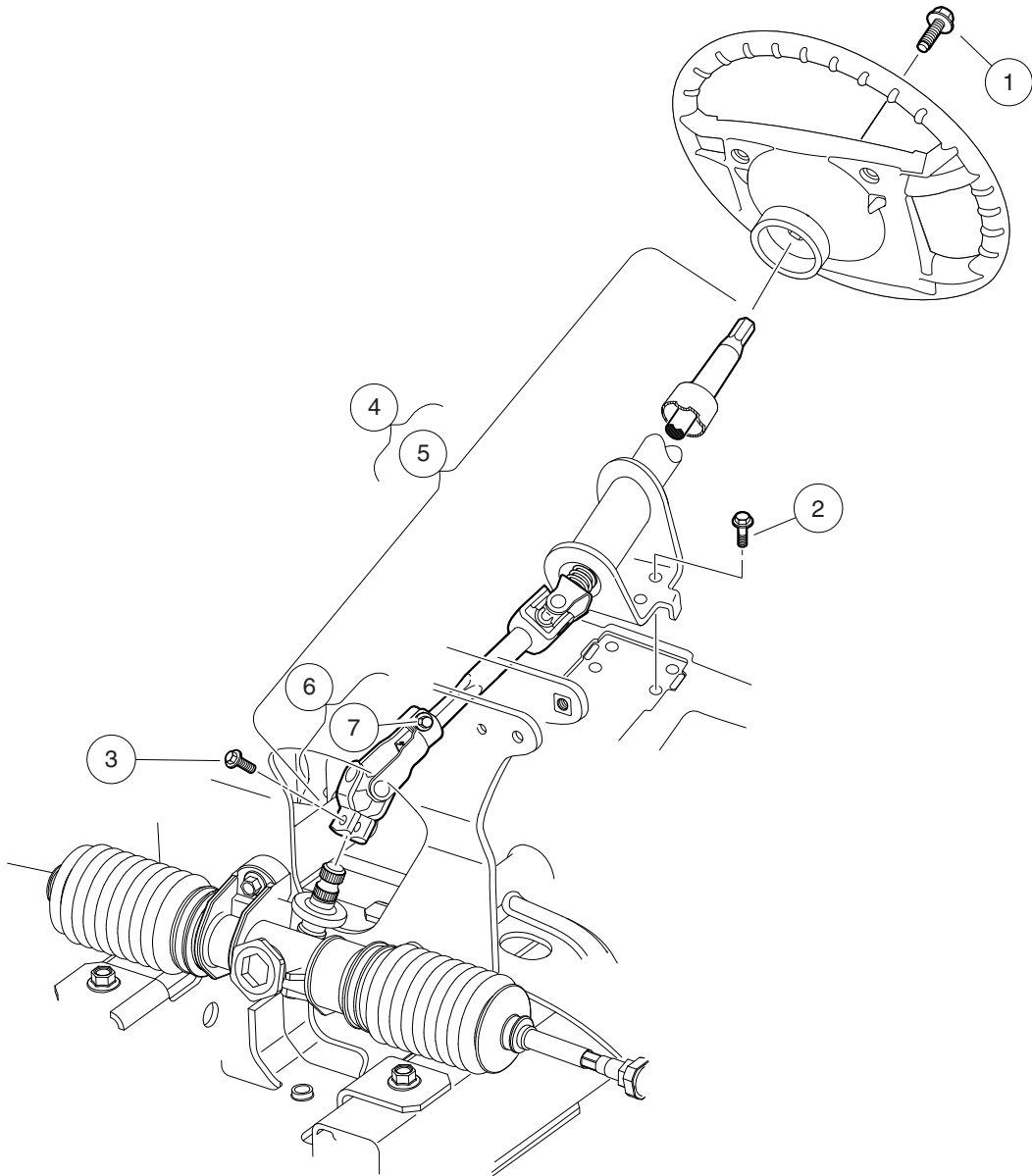


001389-001

STEERING WHEEL, COMFORT GRIP WITH LOGO

ITEM	PART NO.	DESCRIPTION	QTY
		1 2 3 4	
1	101850301	Screw, #12-16 X 0.50 Washer-Head Hi-Lo	2
2	102290120	Bolt, M10 X 20 Hex Washer Hd	1
3	103724503	Steering Wheel, Soft Grip, Hex	1
4	103724602	Cover, Steering Wheel, Generic	1
5	103829401	Logo, Cci, Steer Wheel	1

7
G
E

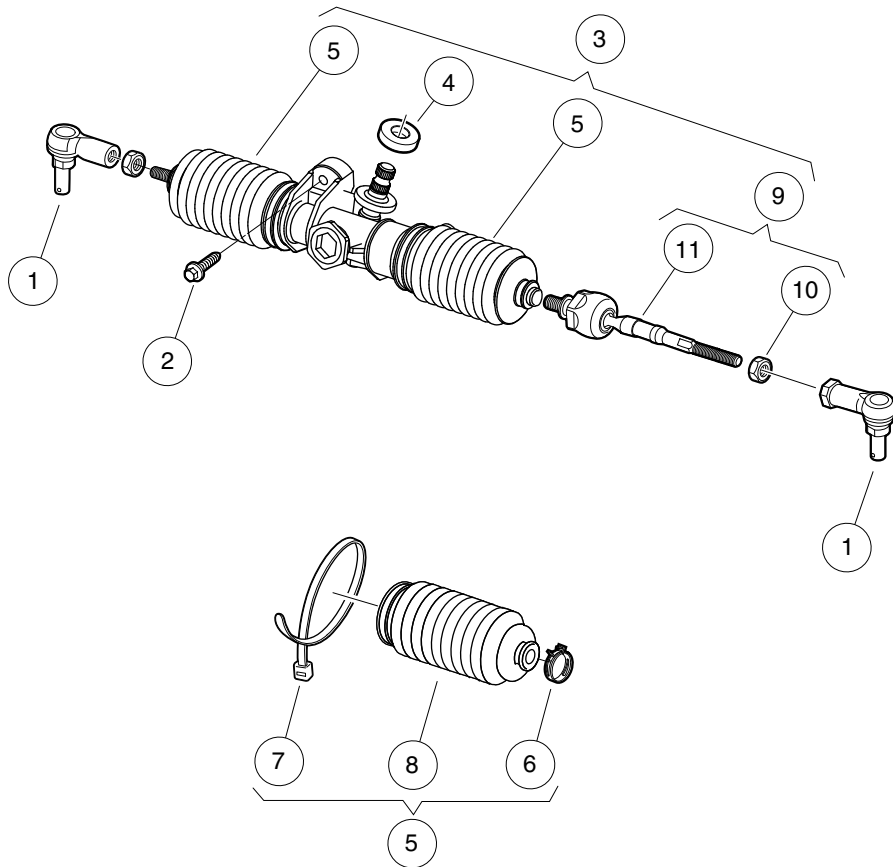


000469-007

STEERING COLUMN

ITEM	PART NO.	DESCRIPTION	QTY
		1 2 3 4	
1	102290120	Bolt, M10 X 20 Hex Washer Hd	1
2	102298116	Bolt, Flanged Head, M8 X 16.0	4
3	102298130	Bolt, Flange Head, M8 X 30.0	1
4	105049001	Kit, Inner Steering Clmn (includes item 5)	1
5	105068601	Asm, Column, Inner (includes item 6)	1
6	103810201	Kit, Lower Yoke, Wanda (includes item 7)	1
7	102298130	Bolt, Flange Head, M8 X 30.0	1

7
G
E



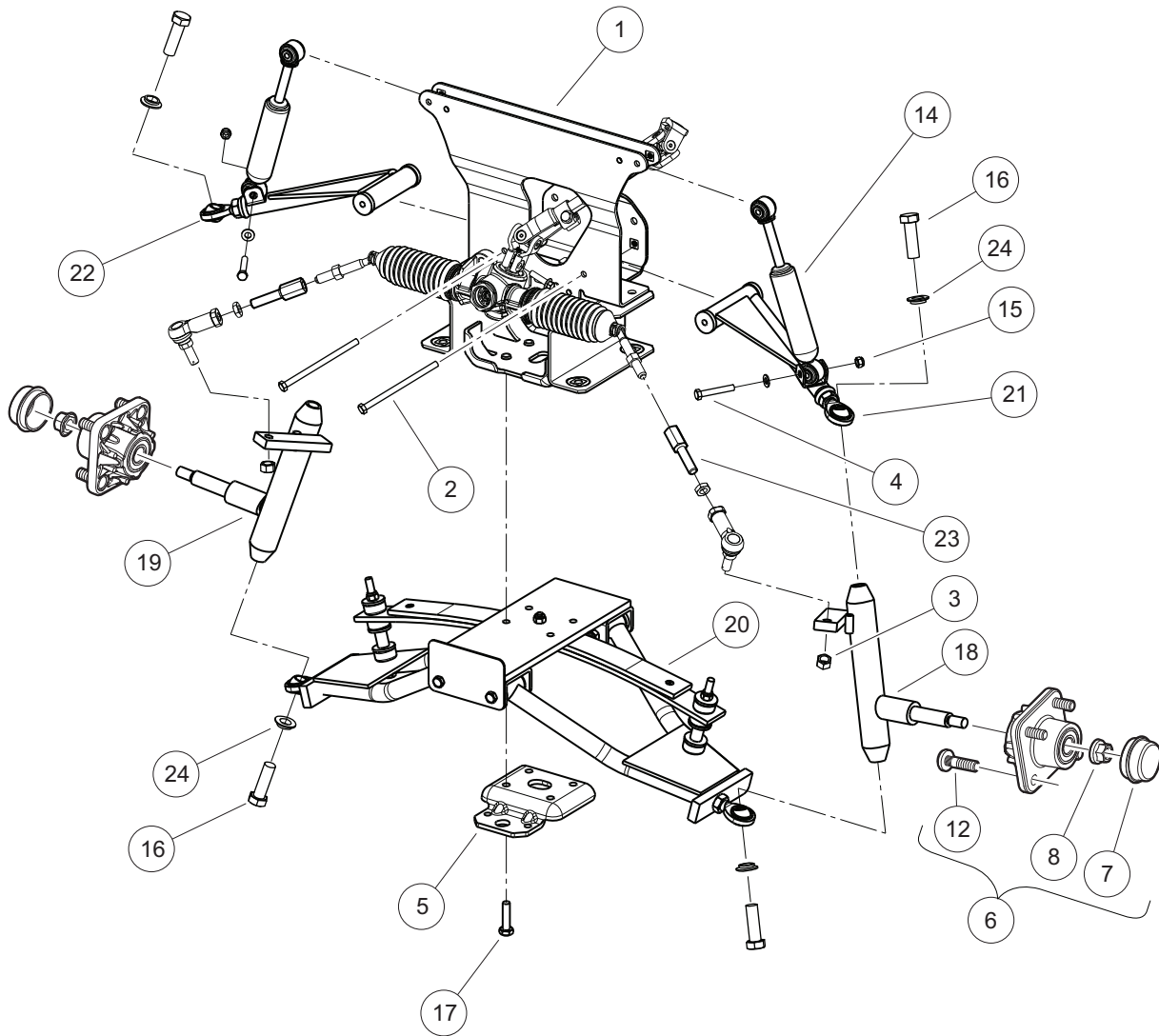
000476-005

STEERING GEAR ASSEMBLY

ITEM	PART NO.	DESCRIPTION	QTY
		1 2 3 4	
1	102022601	End, Tie Rod M12 X 1.25 Rh	2
2	102289001	Screw, M8X1.25X30, Hex	3
3	103679701	Asm, Rack & Pinion (includes items 4 through 9)	1
4	102565201	Seal, Dust, Steering Pinion	1
5	103826201	Bellow Kit, Steering-sona (includes items 6 through 8)	2
6	102566001	Clip, Steering	1
7	8990	Tie Wrap, 8" Nylon	1
8	N/A	Bellows	1
9	103826301	Kit, IBJ (Inner Ball Joint), Steering-sona (includes items 10 and 11)	2
10	1013042	Nut, 12mm Hex	1
11	N/A	Inner Ball Joint	1

7
G
E

7
G
E



001390-001

FRONT SUSPENSION, LIFTED

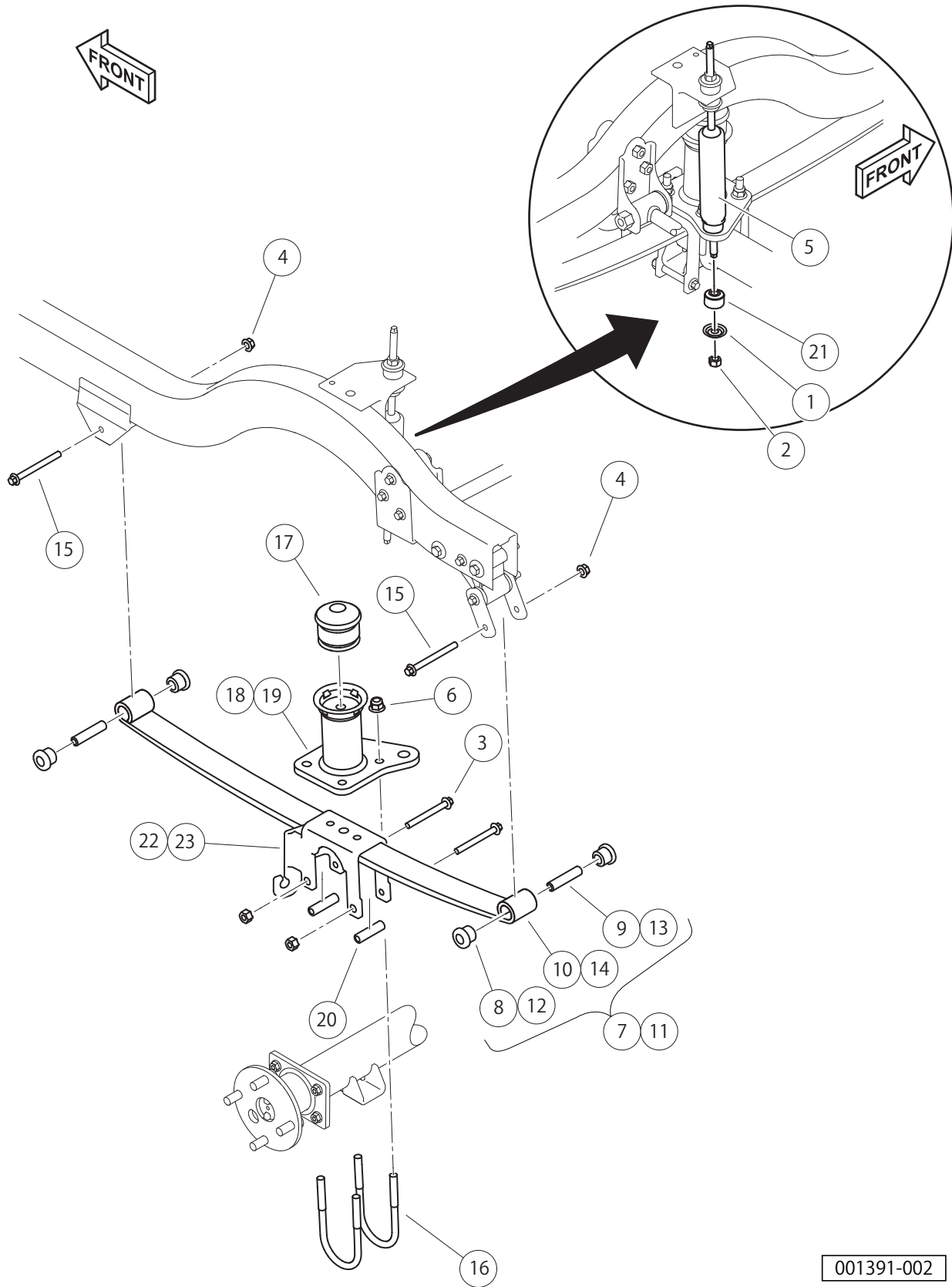
ITEM	PART NO.	DESCRIPTION	QTY
		1 2 3 4	
1	102287101	Assembly - Front Structure	1
2	102288901	Bolt, Hex, M8x1.25 X 135	2
3	102289201	Nut - Hex Locking, M12 X 1.25	2
4	102289401	Screw- Hex Cap, M8 X 1.25 X 45	4
5	102289801	Clamp - Leaf Spring	1
6	102357701	Replacement Kit, Front Hub (includes items 7 through 9)	2
7	102353201	Cap, Front Hub	1
8	102353301	Hex Nut, Locking Flange, M14x2	1
9	N/A	Asm, Front Hub, Bb, Long Stud (includes items 10 through 13)	1
10	N/A	Bearing, Ball, 6204	2
11	N/A	Spacer, Bearing, Front Hub, Pm	1
12	103477901	Lug Stud, 1/2-20 Unf, 4037	4
13	N/A	Front Hub, Ball Brg, Long Stud	1
14	102588601	Shock Absorber Front	2
15	102618601	Lock Nut, Flange, M8 X 1.25 Nylon	2
16	47566405001	Screw, Hex 5/8"-18 X 2" Gr5 Zn	4
17	47566411001	Screw, Hhf M10-1.5 X 50 Trilob	4
18	AM1289701	Spindle, Driver-side	1
19	AM1289801	Spindle, Passenger-side	1
20	AM1289901	Lower A-arm Assembly	1
21	AM1290001	A-arm Assembly, Driver-side	1
22	AM1290101	A-arm Assembly, Passenger-side	1
23	AM1290201	Tie Rod Extension	2
24	AM1290501	Washer, Tapered, 5/8"	4
Note: Item 6 contains items 7 through 13. Detail items not shown for clarity.			

7

G

E

7
G
E



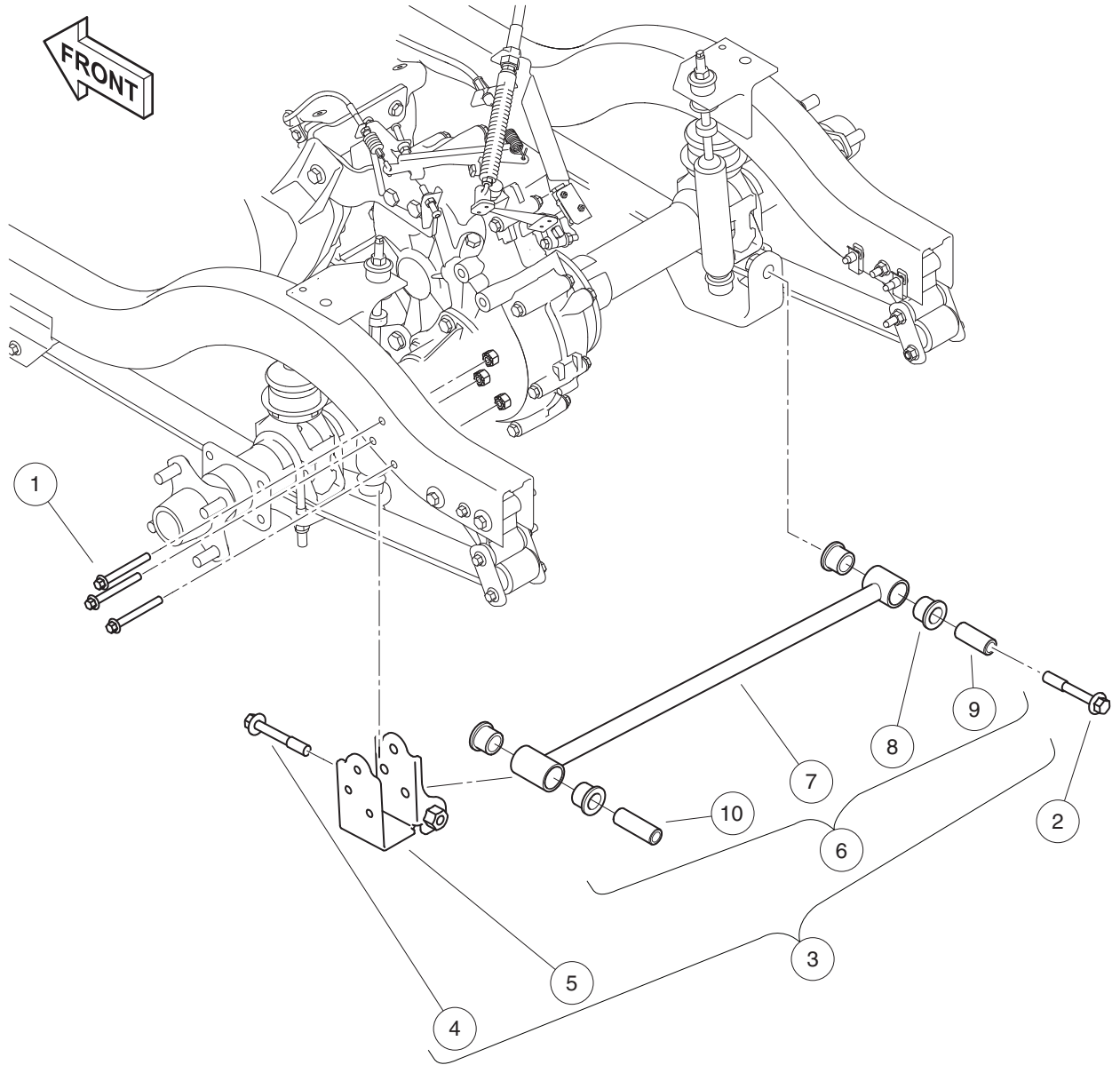
001391-002

REAR SUSPENSION, LIFTED

ITEM	PART NO.	DESCRIPTION	QTY
		1 2 3 4	
1	N/A	Retainer, Shock Absorber Cushion	8
2	1010145	Nut, 3/8-24 Hex	4
3	102298175	Bolt - Flange Hd, M8 X 75.0	4
4	102298401	Nut,m8,all Metal Lock	4
5	102588501	Shock Absorber, Rear	2
6	102670701	Nut, Flange, M10 X 1.5 Nylon	8
7	103742304	Asm, Rear Leaf Spring, Std (includes items 8 through 10)	2
8	101558302	Bushing, Urethane, Soft	4
9	102506401	Sleeve - Spring Eye Mounts	2
10	N/A	Leaf Spring, Rear, Std	1
11	103742307	Asm, Rear Leaf Spring, HD (includes items 12 through 14)	2
12	101558302	Bushing, Urethane, Soft	4
13	102506401	Sleeve - Spring Eye Mounts	2
14	103742207	Leaf Spring, Rear, HD	1
15	105188185	Bolt, M8 X 85mm, 10.9 Grade	4
16	105188701	U-bolt, M10x1.5x58	4
17	47576196001	Bumper, Jounce, D-255828	2
18	47576197001	Bracket, Bumper, Jounce, Driver-side	1
19	47576198001	Bracket, Bumper, Jounce, Passenger-side	1
20	47576648001	Sleeve, Perch, Spring	4
21	47579096001	Isolator, Shock Damper	8
22	47603899001	Brkt, Perch, Spring, Lh	1
23	47603900001	Brkt, Perch, Spring, Rh	1

7
G
E

7
G
E



001392-001

PANHARD ROD

ITEM	PART NO.	DESCRIPTION	QTY
		1 2 3 4	
1	102298170	Bolt - Flange Hd, M8 X 70.0	3
2	103146501	Bolt, Flg, M12 X 1.75 X 80	1
3	47577865001	Assy, Panhard and Frame Rail Bracket (includes items 4 through 6)	1
4	103146501	Bolt, Flg, M12 X 1.75 X 80	1
5	47576649001	Bkt, Frame Rail, Panhard	1
6	47577864001	Asm, Rod, Panhard (includes items 7 through 10)	1
7	47576650001	Assy, Weldment, Panhard	1
8	47576651001	Bushing, Slip, 3390000-160802	4
9	47576652001	Sleeve, Bushing, Panhard, Short	1
10	47576652002	Sleeve, Bushing, Panhard, Long	1

7
G
E

7

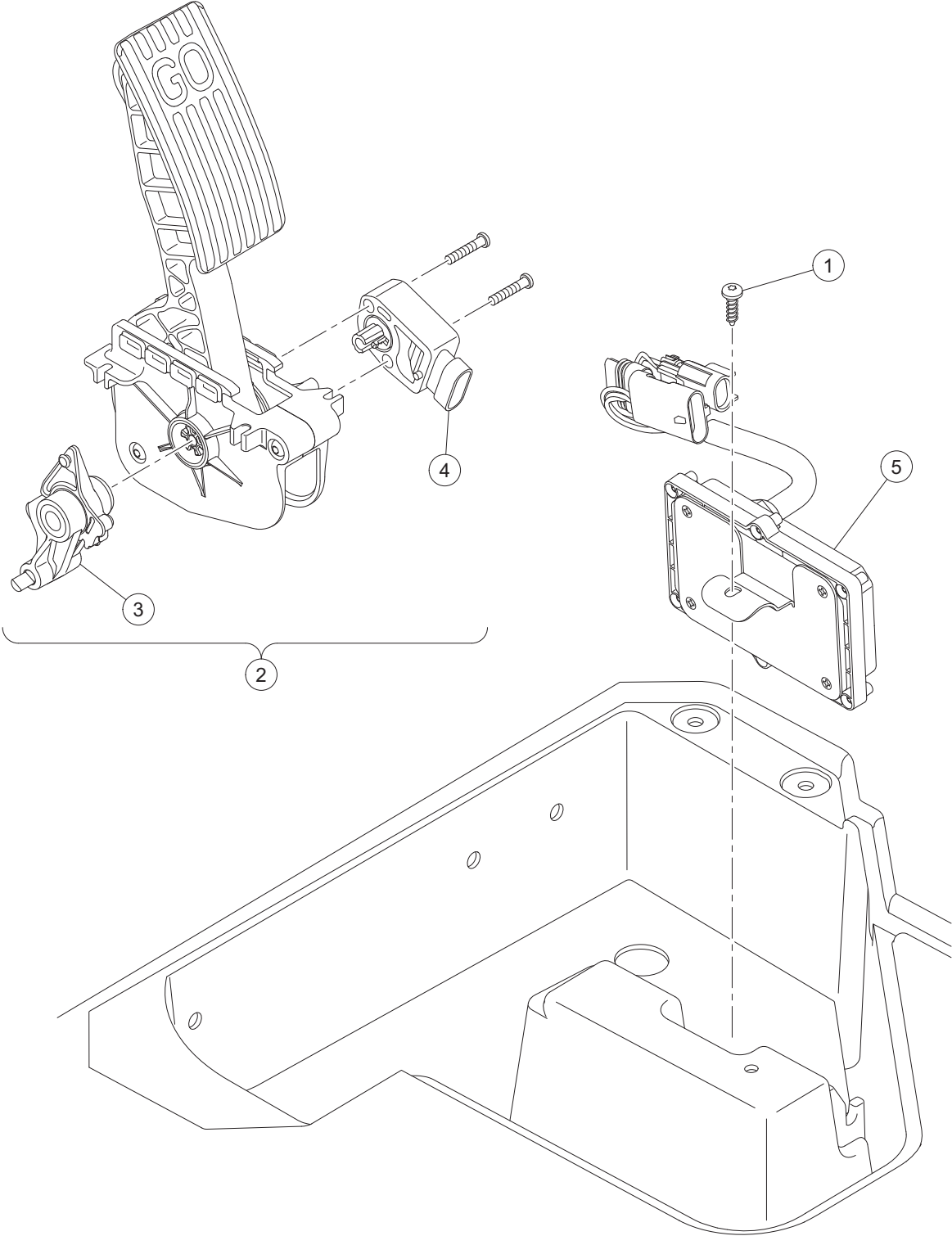
G

E

ELECTRICAL SYSTEM – GASOLINE EFI

8

G



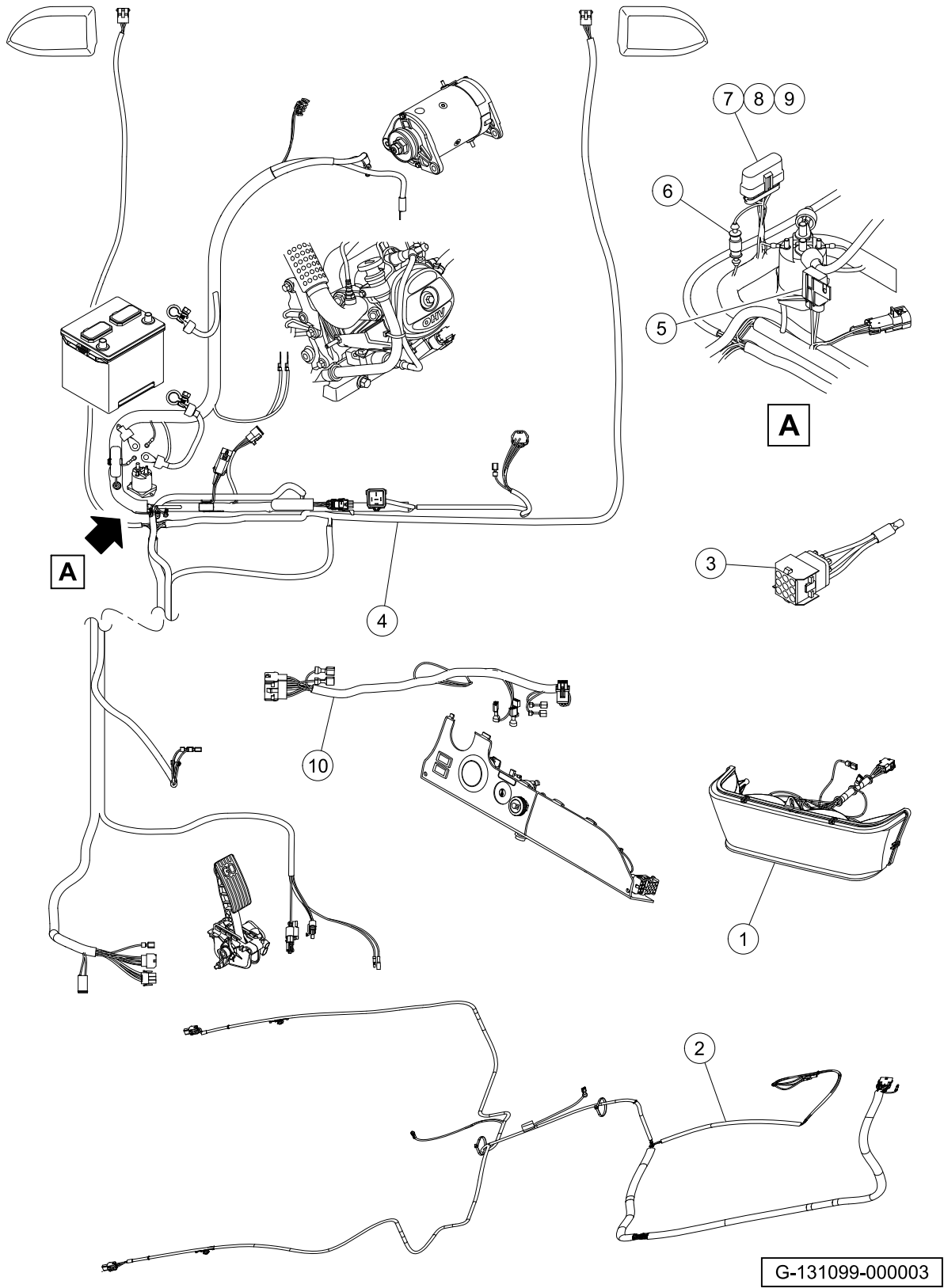
G-131199-000001

ACCELERATOR PEDAL W/SENSOR AND STOP MODULE

ITEM	PART NO.	DESCRIPTION	QTY
		1 2 3 4	
1	102296020	Screw-torx Pan Head Pt, M6x20	1
2	102595502	Asm, Accel. Pedal/Throttle, Anodized, Gas Vehicle (includes items 3 and 4)	1
3	103777601	Asm, Park Brake Release, Anodized	1
4	N/A	Throttle Sensor	1
5	47586323001	Module, Gas Car Stop	1
<p>Note: Item 5 is only for use in gasoline vehicles with Visage system installed. For a complete Pedal Group, see Section 5, Brakes and Pedal Group Assemblies.</p>			

8

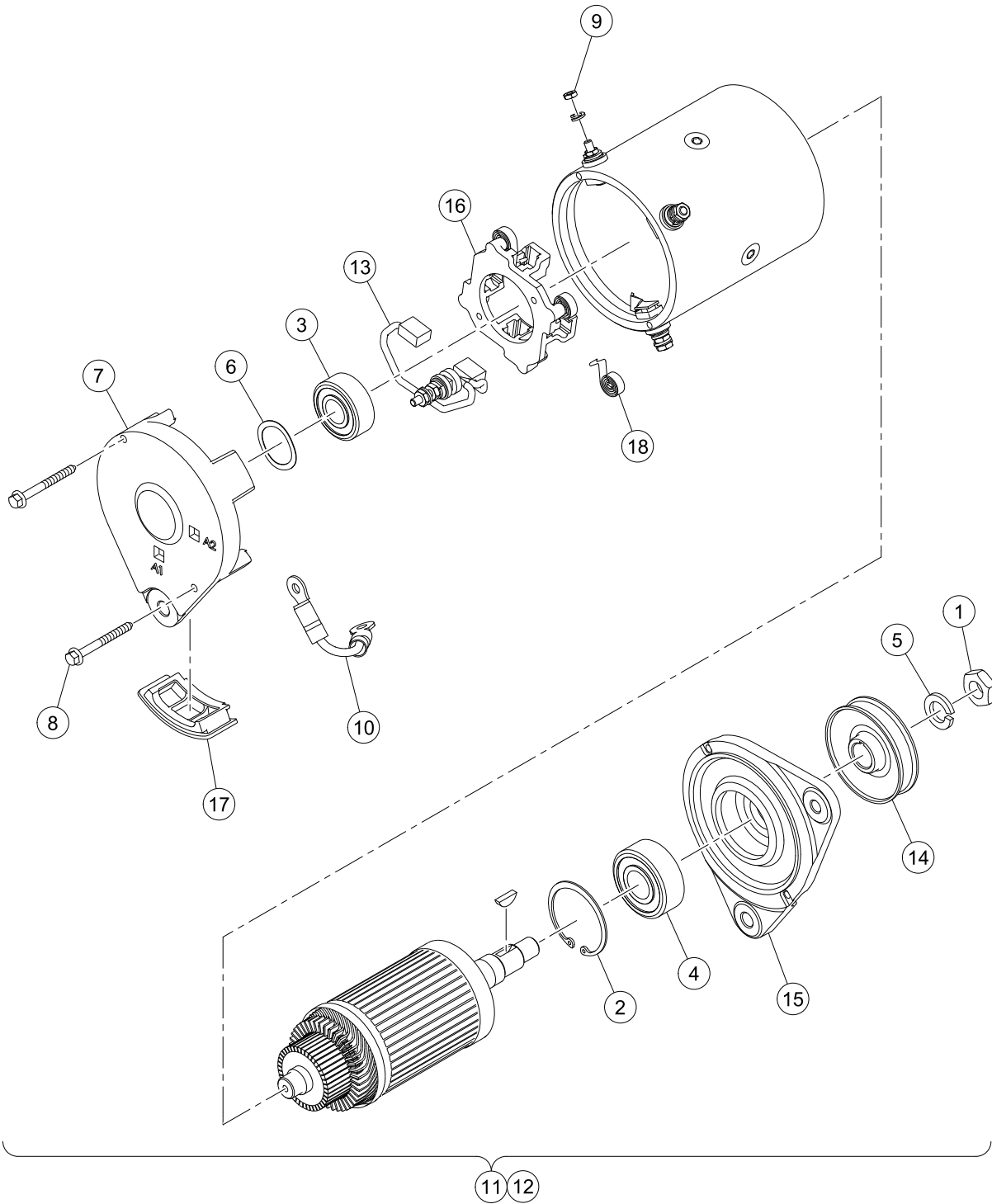
G



WIRING HARNESSES AND FUSES

ITEM	PART NO.	DESCRIPTION	QTY
		1 2 3 4	
1	102535301	Headlight, Harness, Prec	1
2	103375901	Prec Light Harn Restyle	1
3	105130201	Jumper, Horn, Asm	A/R
4	47612535001	Harness, Main, Gas, Prec, Ps (includes items 5 through 9)	1
5	1012295	Fuse, 10-Amp	1
6	103924801	Fuse, Glass, 2-Amp	1
7	105081501	Fuse, ATM, 5-Amp	1
8	105081601	Fuse, ATM, 10-Amp	1
9	105114808	Fuse, Mini, Atm, 20 Amp	1
10	47612537001	Harness, Ip, Gas, Prec, Com	1
		Note: See Section 9, engine ignition, for information on the ECU wiring harness.	

8
G

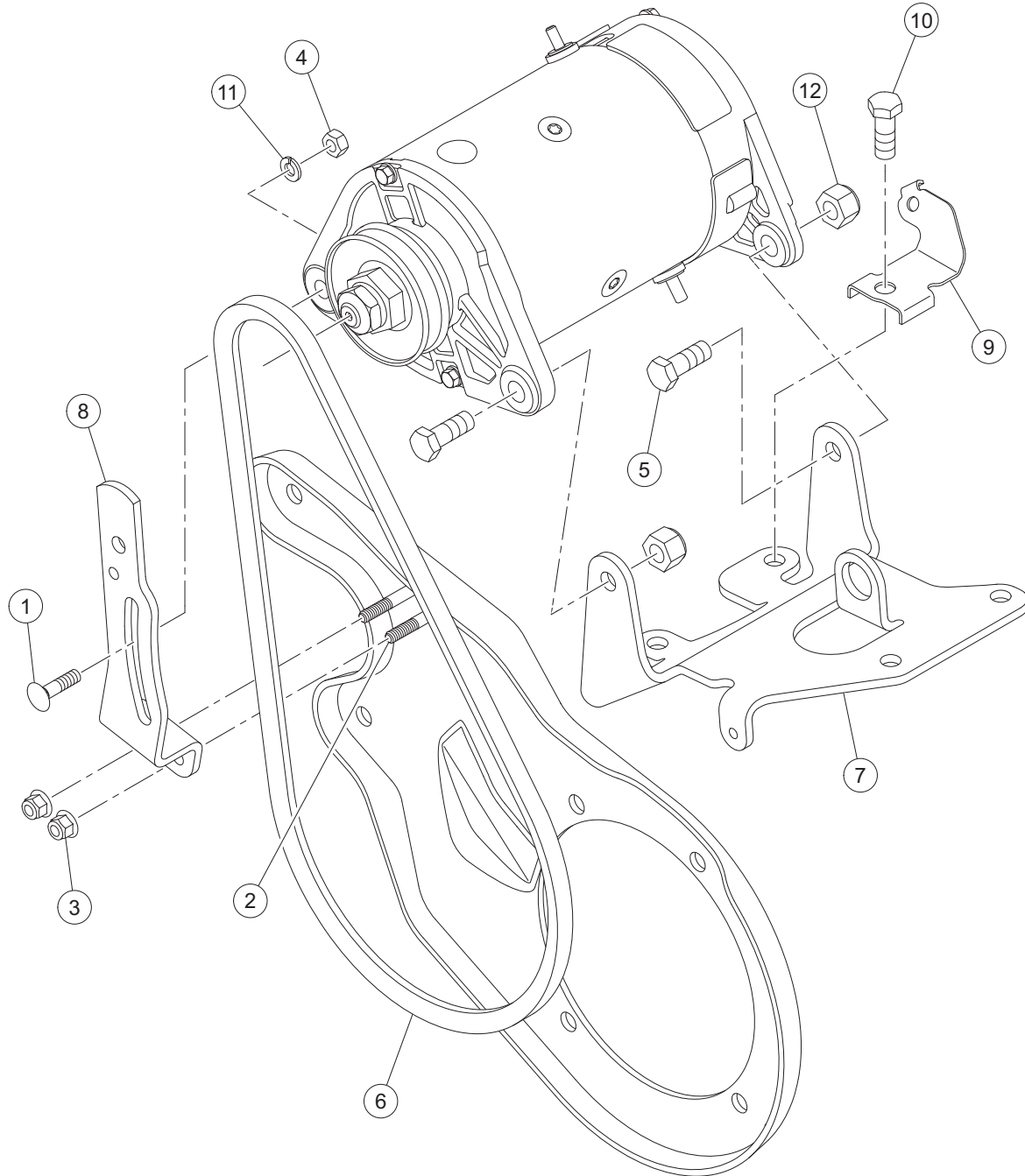


G-130199-000001

STARTER/GENERATOR, KEY AND PEDAL START – EFI

ITEM	PART NO.	DESCRIPTION	QTY
		1 2 3 4	
1	102838701	Nut, Hex, M14x2, S/G	1
2	102838801	Retainer, Front, S/G	1
3	102838901	Bearing, Ball, Rear, S-g	1
4	102839001	Bearing, Ball, Front, S-g	1
5	102839301	Washer, Lock M14x2, S-g	1
6	102841101	Washer, Wave, S-g	1
7	103347601	Head, Comm End, S-g	1
8	103347701	Set, Fast, Ceh Deh, S-g	1
9	103347801	Set, Term Hardware, S/G	1
10	105161701	Wire, 4-Ga, Green, Starter/Generator	1
11	47559475001	Starter Generator, Ps	1
12	47559475002	Starter Generator, Ks	1
13	47583000001	Set, Brush Term, S-g	1
14	47583790001	Pulley, Starter-generator	1
15	47583791001	Head, Drive End, S-g	1
16	47583794001	Kit, Brush And Brush Holder	1
17	47584178001	Kit, Cover, Brush Insp, S-g	1
18	47584179001	Kit, Spring Brush, S-g	1

8
G



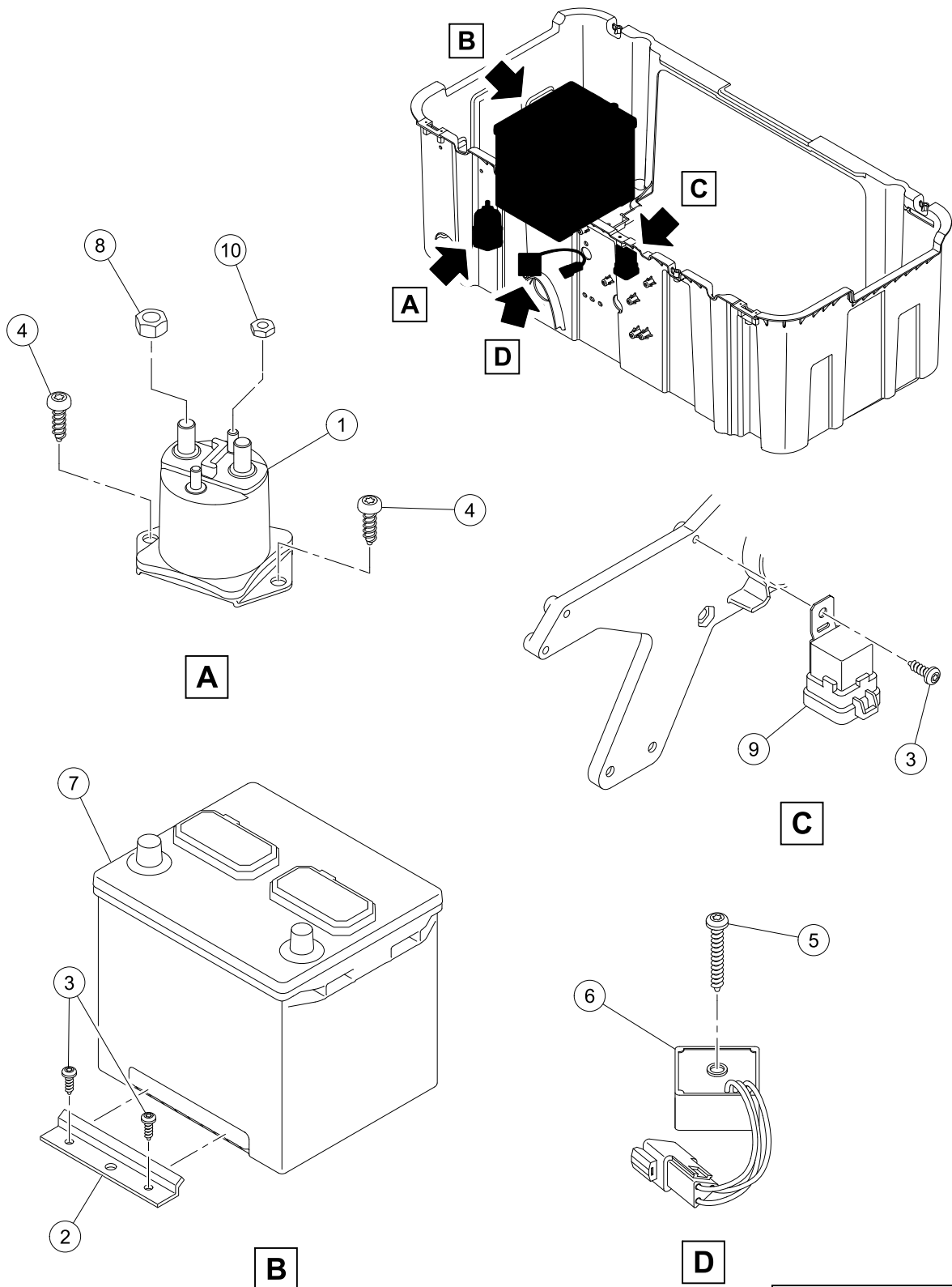
G-130199-00002

STARTER/GENERATOR MOUNTING – ECH440

ITEM	PART NO.	DESCRIPTION	QTY
		1 2 3 4	
1	1015932	Bolt, Carriage, 5/16-18	1
2	102541401	Bolt-m6x1.0x20 Hex Flhd Blk-I	2
3	102621501	Nut, Flange, M6 X 1.0, Nylon	2
4	1242	Nut, 5/16-18 Hex	1
5	1624	Screw, 3/8-16 X 1.50, Hex-Head Cap	2
6	47539338002	Belt, Sg, Ech440, #5a	1
7	47611868001	Bracket, Mounting, S/g	1
8	47611869001	Bracket, Tensioner, S/g	1
9	47611870001	Bracket, Mtg, Gov Cable Clip	1
10	47617345001	Screw, M8-1.25x20, Hex Hd Flg	4
11	7174	Lockwasher, 5/16 Split	1
12	8754	Locknut, 3/8-16 Hex	2

8
G

8
G



G-130799-000002

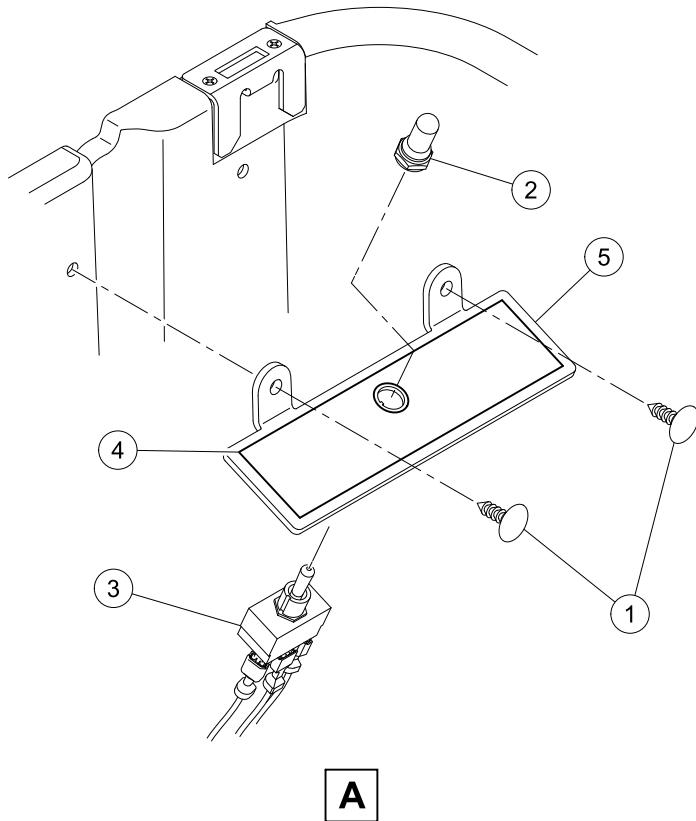
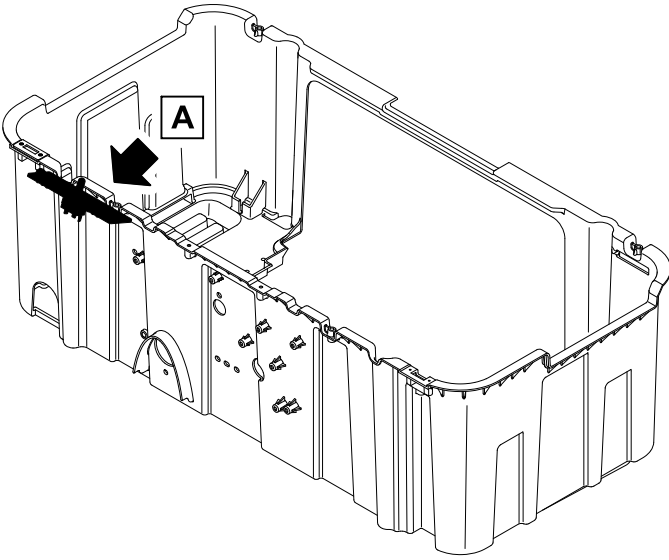
BATTERY, SOLENOID, VOLTAGE REGULATOR, RELAY – EFI

ITEM	PART NO.	DESCRIPTION	QTY
		1 2 3 4	
1	1013609	Solenoid, 12-Volt	1
2	101898001	Clamp, Battery	1
3	N/A	Screw-torx Pan Hd Pt,m6 X 16	1
4	102296020	Screw, Torx Pan Hd Pt, M6 X 20	4
5	102296040	Screw, Torx Pan Hd Pt, M6 X 40	1
6	102803301	Asm, Voltage Regulator	1
7	105237399	Battery, Start, 12v, G 26, Sp	1
8	1242	Nut, 5/16-18 Hex	2
9	47623281001	Relay, Mini 630 Spdt,40a/30a	1
10	7893	Nut, #10-32 Hex	2

8

G

8
G



G-130499-000004

MAINTENANCE/OPERATE SWITCH

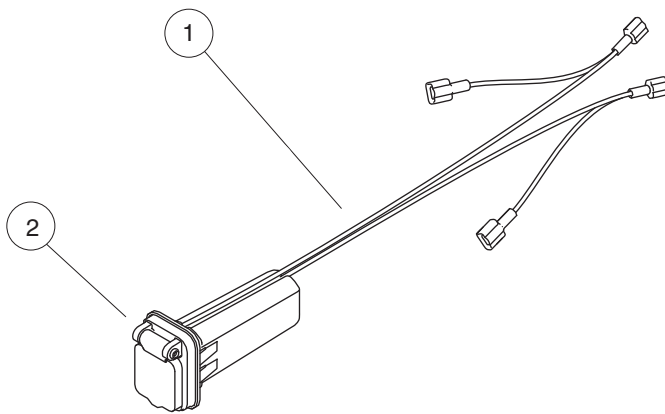
ITEM	PART NO.	DESCRIPTION	QTY
		1 2 3 4	
1	1010434	Barrel - Plastic	2
2	101908401	Boot, Switch	1
3	103198401	Switch, Toggle, SPDT	1
4	103205501	Decal, Maintenance/Operate Switch	1
5	47645493001	Bracket, Run and Maintenance Switch	1

8

G

8

G



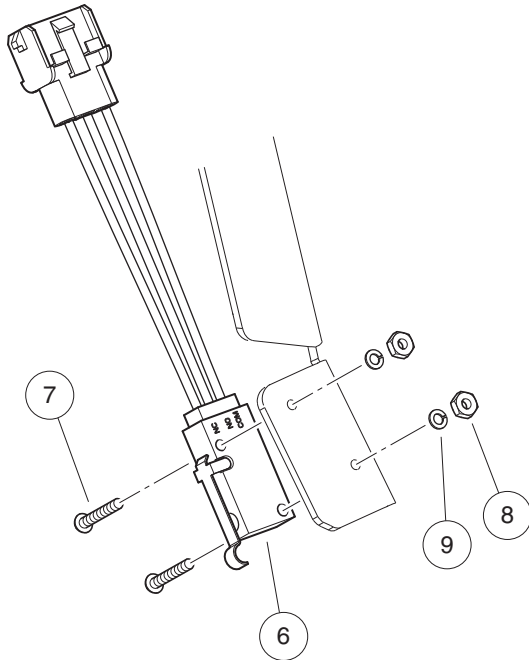
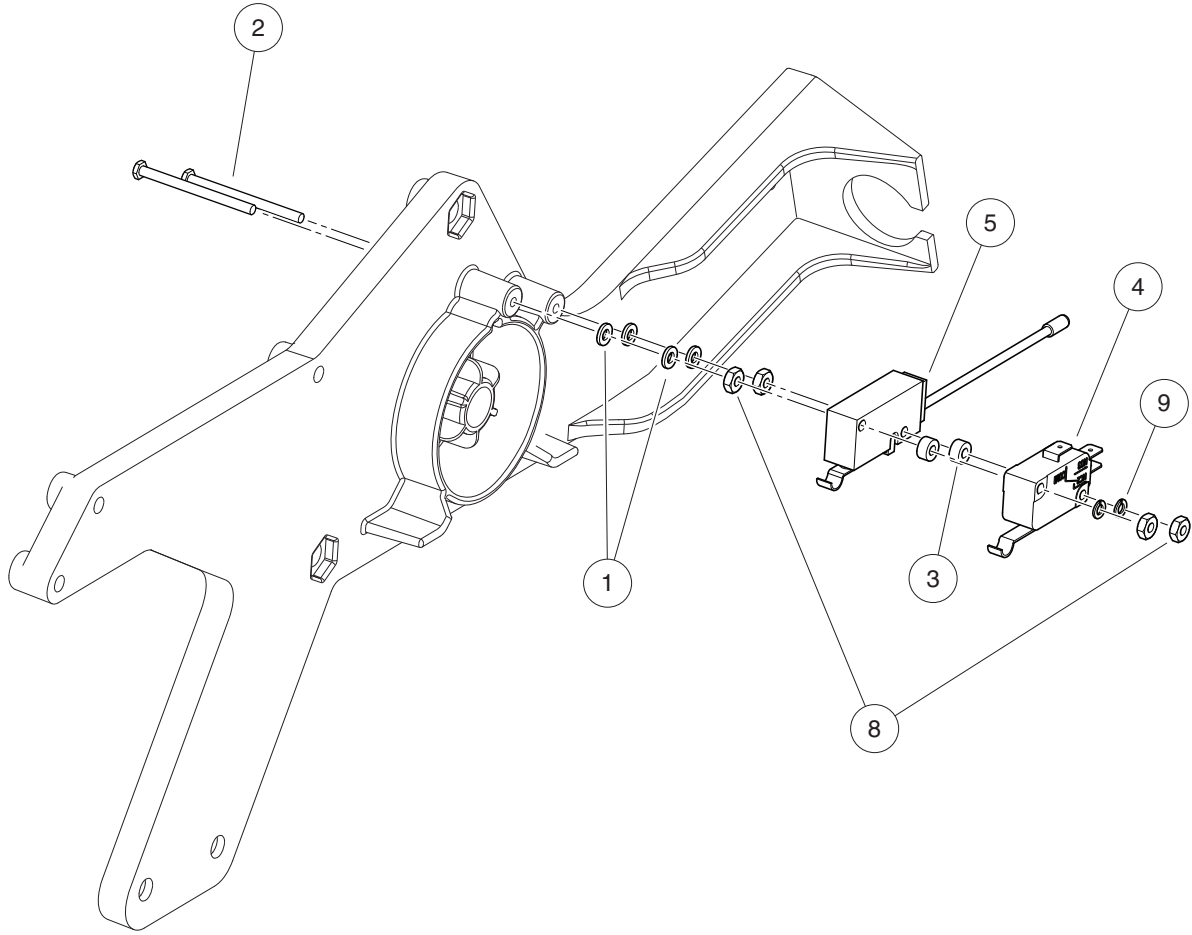
001286-002

USB PORT KIT FOR GAS VEHICLES

ITEM	PART NO.	DESCRIPTION	QTY
1	47604229001	1 2 3 4 Kit, Usb, Gas (includes item 2)	1
2	47587715001	Usb, 12v	1

8
G

8
G



001013-001

FORWARD/REVERSE SHIFTER SWITCHES – EFI

ITEM	PART NO.	DESCRIPTION	QTY
		1 2 3 4	
1	1012431	Washer, #4 Flat	4
2	1012594	Screw, #4-40 Machine	2
3	1014727	Washer, Flat, #4, Nylon	2
4	1014807	Switch, Limit	1
5	101979101	Switch, Limit, Assembly, Sealed	1
6	105102601	Switch, Limit, Sealed, with 3-Wire Lead	1
7	8056	Screw, #4-40 X 0.75 Round-Head Machine	2
8	8057	Nut, #4-40 Hex Machine	6
9	8058	Lockwasher, #4 Split	4
<p>Note: Item 5 is located on the shifter. Item 6 is located on the transaxle.</p>			

8

G

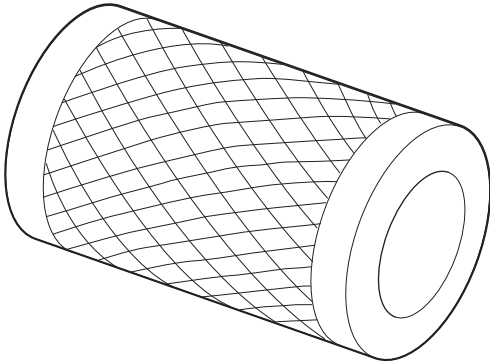
8

G

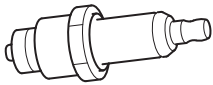
ENGINE (KOHLER ECH440)

9

G



1



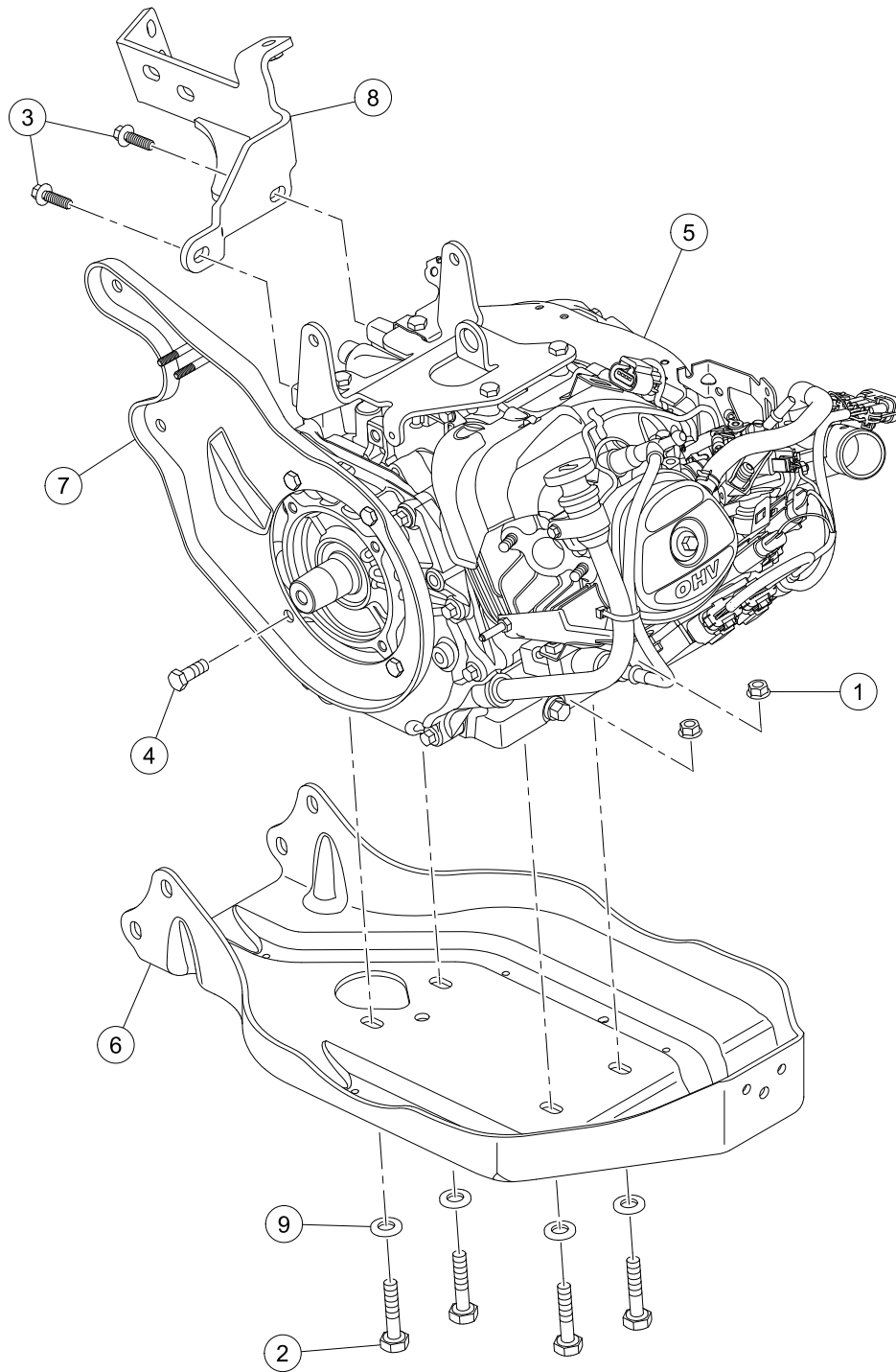
2

000992-003

TUNE-UP PARTS

ITEM	PART NO.	DESCRIPTION	QTY
1	102558201	1 2 3 4 Air Filter, 4 Inch	1
2	47640281001	Plug, Spark, Kohler	1

9
G



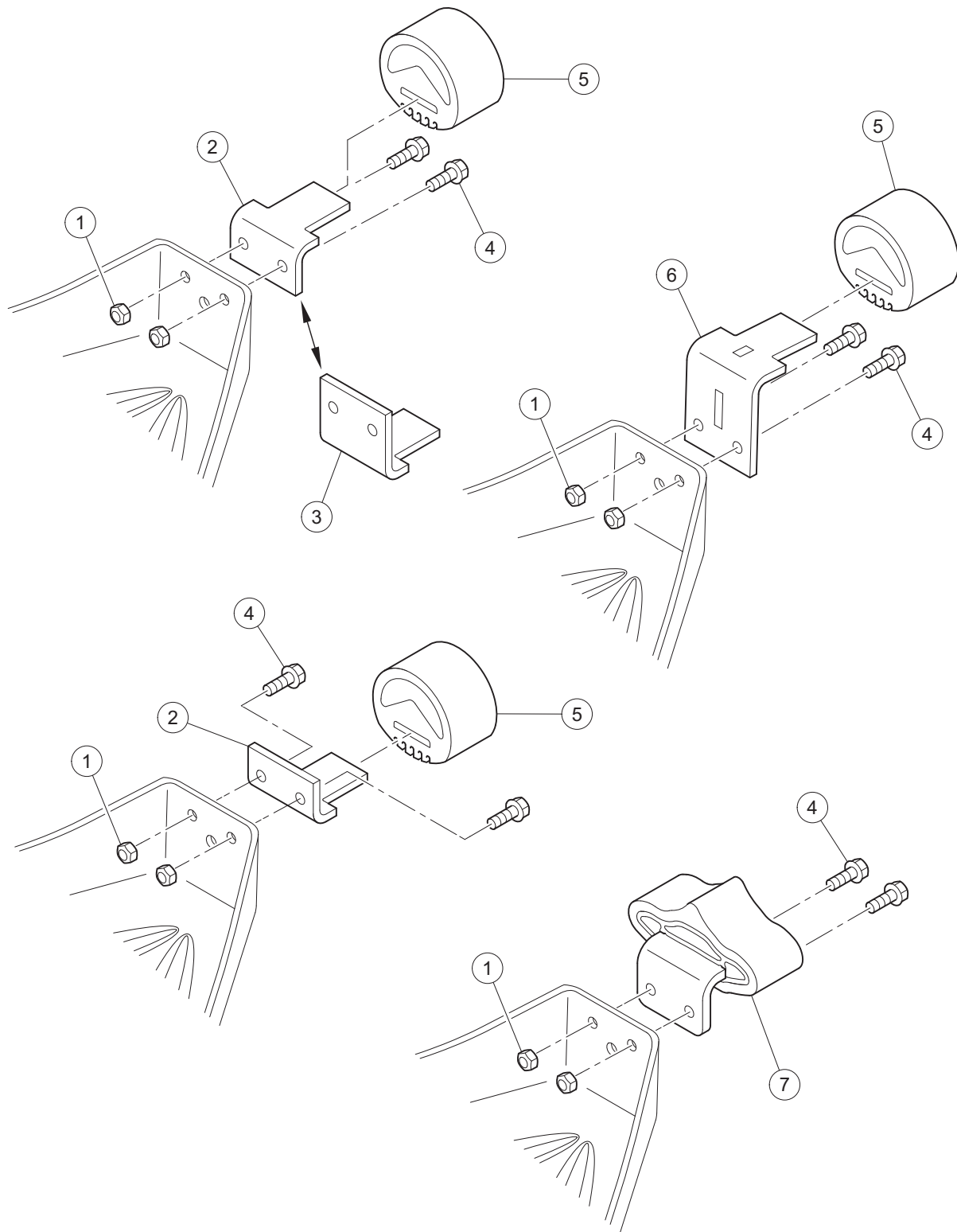
G-110199-000002

ENGINE AND ENGINE MOUNTING

ITEM	PART NO.	DESCRIPTION	QTY
		1 2 3 4	
1	102617201	Nut, Flanged, M10 X 1.5, Mechanically Deformed	4
2	102732401	Bolt, M10 X 45, Zn-Ni (Black)	4
3	103262201	Bolt Flg Blk, M8 X 25, Loctite	2
4	103508101	Bolt, 3/8-16 X .75 Lock Patch	4
5	47598099001	Engine, Gas, Ech440	1
6	47611483001	Plate, Mtg, Engine/axle, Pan	1
7	47611484001	Plate, Mtg, Engine/axle, Cvt	1
8	47611648001	Weldment, Mtg, Exhaust	1
9	96741046	Washer, M10, Hard	4

9

G



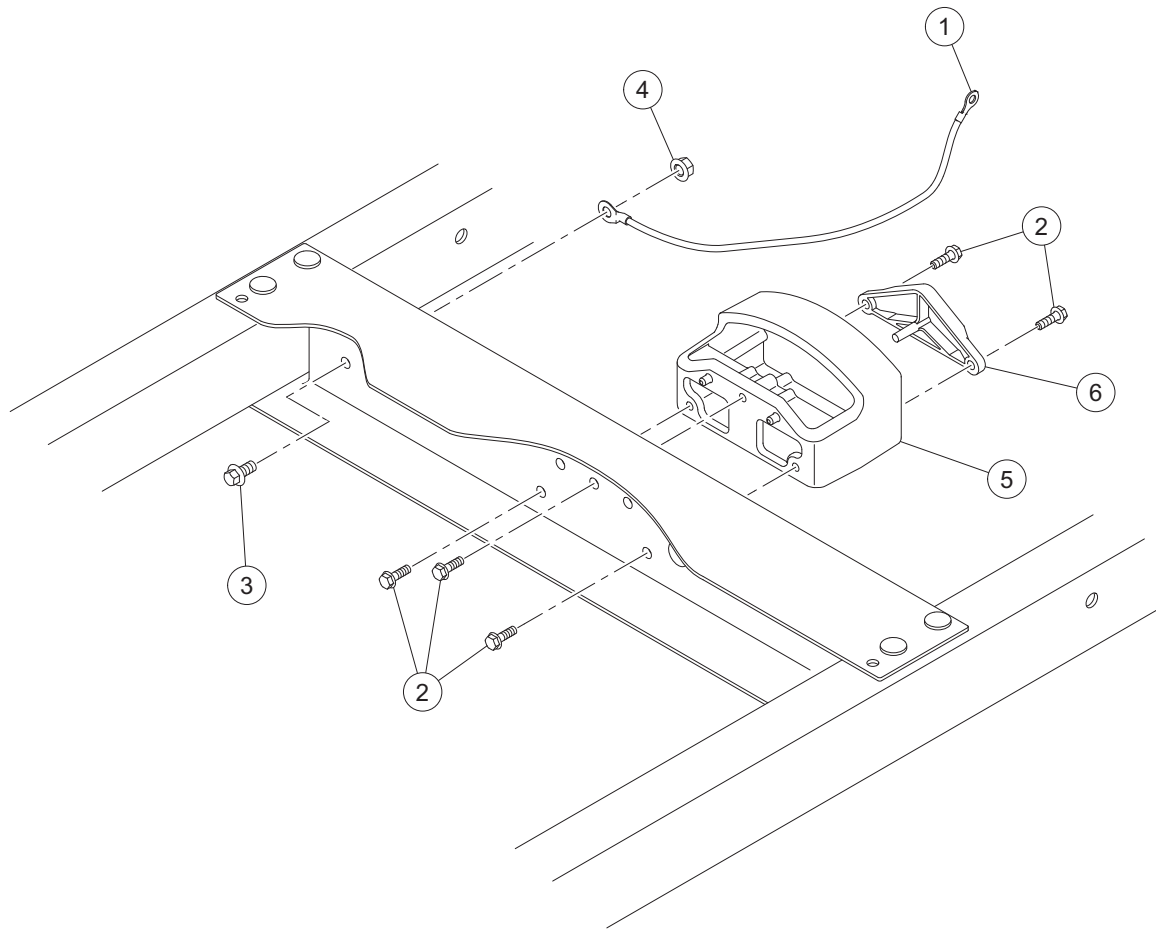
G-010299-000001

ENGINE PAN AND SNUBBER MOUNTING

ITEM	PART NO.	DESCRIPTION	QTY
		1 2 3 4	
1	1013924	Nut, 5/16-24, Hex Head Cone	2
2	101834601	Bracket, Snubber	1
3	101834602	Bracket, Snubber, Tall	1
4	101884801	Screw, 5/16-24 X 0.875, Grade-8	2
5	102540301	Snubber, Inner Frame	1
6	47564890001	Bracket, Snubber, Csmr, Lifted	1
7	47587701001	Asm, Dual Snubber (includes items 8 and 9)	1
8	47583795001	Bracket, Dual Snubber	1
9	47584184001	Snubber, Dual	1
<p style="margin-left: 40px;">Note: Items 8 and 9 are not illustrated.</p>			

9

G

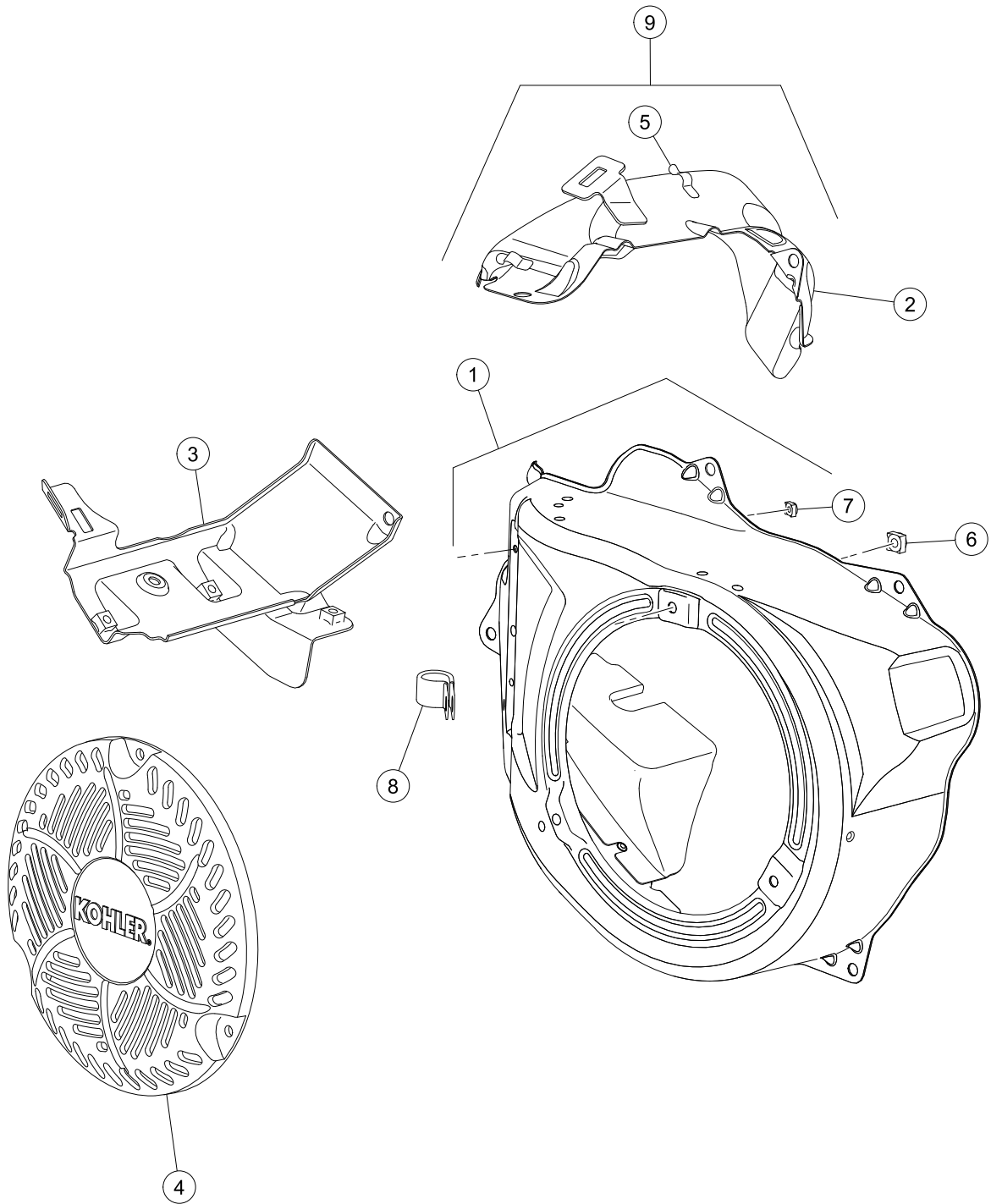


G-010299-000002

SNUBBER HOUSING AND GROUND WIRE

ITEM	PART NO.	DESCRIPTION	QTY
		1 2 3 4	
1	1015332	Wire, Ground, #10, Uninsulated	1
2	102296720	Screw, M6 X 20 Tt Hx Fl Hd	5
3	102298116	Bolt, Flanged Head, M8 X 16.0	1
4	102298401	Nut, M8, All Metal Lock	1
5	102512501	Housing, Snubber	1
6	47666603001	Spacer, Snubber, Lt	1

9
G



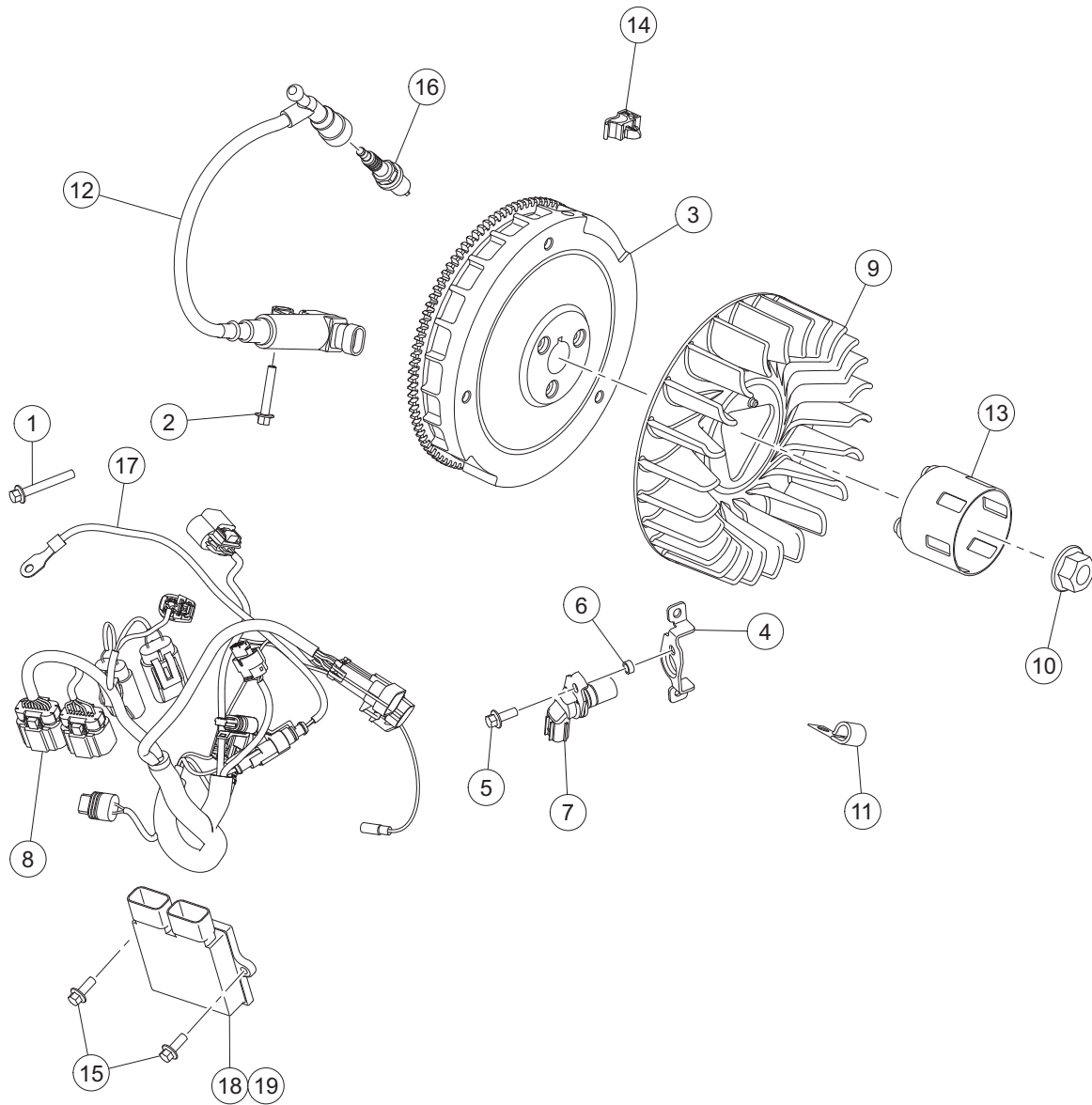
G-040899-000001

BLOWER HOUSING AND HEAT SHIELD – ECH440

ITEM	PART NO.	DESCRIPTION	QTY
		1 2 3 4	
1	47629844001	Kit, Blower Housing, Kohler	1
2	47629845001	Shield, Upper Heater, Kohler	1
3	47629846001	Shield Assembly, Cylinder, Koh	1
4	47629847001	Screen, Blower Housing, Kohler	1
5	47629848001	Clip, Wire, Kohler	2
6	47629851001	Nut, Blower Housing (cky), Koh	1
7	47629853001	Nut, Blower Housing (cky), Koh	1
8	47629855001	Clamp, Insulator, Kohler	1
9	47629856001	Assembly, Heat Shield, Kohler	1

9

G



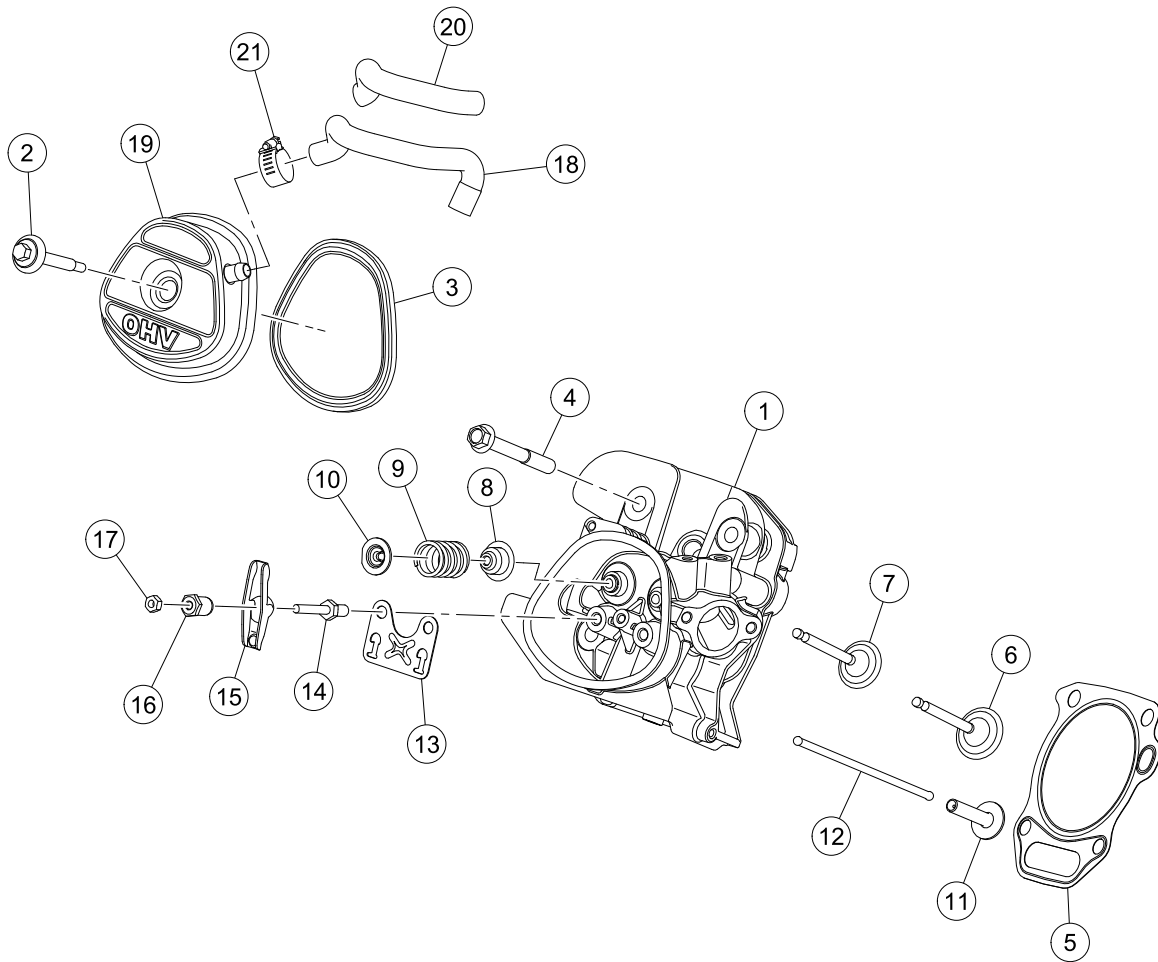
G-040799-000003

IGNITION COMPONENTS AND FLYWHEEL – ECH440

ITEM	PART NO.	DESCRIPTION	QTY
		1 2 3 4	
1	47629702001	Screw, Hex Flange (m6), Kohler	1
2	47629702001	Screw, Hex Flange (m6), Kohler	3
3	47629826001	Flywheel Assy, Electric Start	1
4	47629828001	Bracket, Crank Sensor, Kohler	1
5	47629831001	Screw, Hex Flange, Kohler	1
6	47629832001	Spacer, Kohler	1
7	47629833001	Sensor, Speed, Kohler	1
8	47629834001	Harness, Wiring Assy, Kohler	1
9	47629835001	Fan, Flywheel, Kohler	1
10	47629836001	Nut, Flywheel, Kohler	1
11	47629837001	Clip, Cable, Kohler	1
12	47629838001	Coil, Ignition-efi, Kohler	1
13	47629841001	Cup, Starter Drive, Kohler	1
14	47629843001	Clip, Wiring Harness, Kohler	1
15	47640021001	Screw, M6x16, Kohler	2
16	47640281001	Plug, Spark, Kohler	1
17	47650647001	Sensor, Temperature	1
18	47664335001	Module, Ecu, Kohler, O2 Update	A/R
19	47676897001	Module, ECU, Kohler	A/R
<p>Note: Item 19 (47676897001) only applies to vehicles that have had kit p/n 47649794001 installed. Make sure to validate and order correct ECU p/n.</p>			

9

G

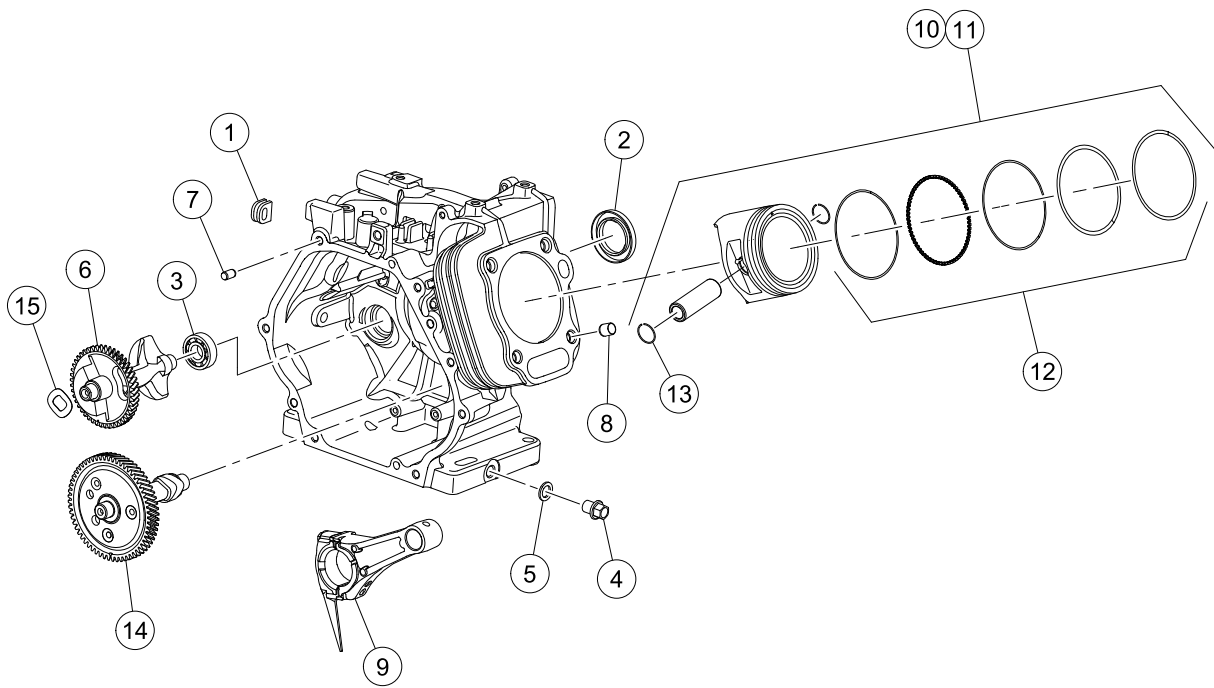


G-040599-000001

CYLINDER HEAD AND VALVE – ECH440

ITEM	PART NO.	DESCRIPTION	QTY
		1 2 3 4	
1	47629711001	Assembly, Cylinder Head, Kohle	1
2	47629714001	Screw, Valve Cover Seal Assy,	1
3	47629716001	Gasket, Valve Cover, Kohler	1
4	47629717001	Screw, Hex Flange Cylinder Hea	4
5	47629718001	Kit, Head Gasket, Kohler	1
6	47629719001	Valve, Intake, Kohler	1
7	47629720001	Valve, Exhaust, Kohler	1
8	47629722001	Seal, Valve Stem, Kohler	2
9	47629723001	Spring, Valve, Kohler	2
10	47629724001	Retainer, Valve Spring, Kohler	2
11	47629725001	Lifter, Valve, Kohler	2
12	47629726001	Rod, Push, Kohler	2
13	47629727001	Plate, Pushrod Guide, Kohler	1
14	47629728001	Stud, Rocker, Kohler	2
15	47629729001	Arm, Rocker, Kohler	2
16	47629730001	Pivot, Rocker Arm, Kohler	2
17	47629768001	Nut, Hex Jam, Kohler	2
18	47629822001	Hose, Breather, Kohler	1
19	47629823001	Valve Cover Assembly, Kohler	1
20	47629824001	Sleeve, Anti Abrasion, Kohler	1
21	47629825001	Clamp, Hose, Kohler	1

9
G



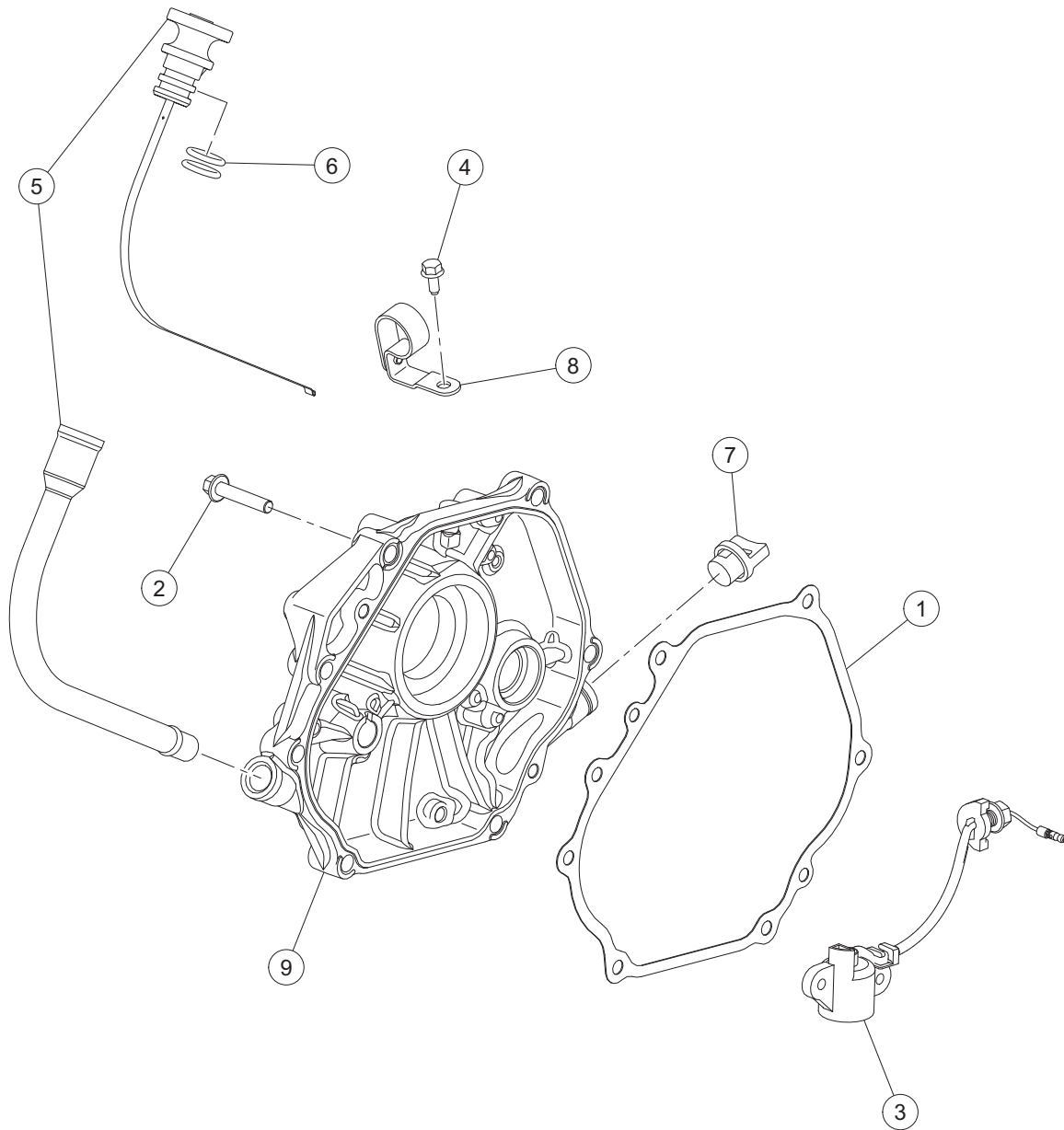
G-040399-000001

CRANKCASE AND PISTON – ECH440

ITEM	PART NO.	DESCRIPTION	QTY
		1 2 3 4	
1	47629677001	Grommet, Crankcase,kohler	1
2	47629680001	Seal, Crankcase, Kohler	2
3	47629682001	Bearing, Balancing Shaft, Kohl	2
4	47629685001	Kit, Drain Plug, Kohler	2
5	47629686001	Washer, Drain Plug, Kohler	2
6	47629687001	Shaft, Balance, Kohler	1
7	47629688001	Pin, Dowel, Kohler	2
8	47629689001	Pin, Dowel Cylinder Head, Kohl	2
9	47629690001	Rod, Connecting Assembly,kohle	1
10	47629691001	Kit, Piston Wing Set (std), Ko	1
11	47629693001	Kit, Piston (0.25 O.s.), Kohle	1
12	47629694001	Ring Set, Kohler	2
13	47629696001	Retainer, Piston, Kohler	2
14	47629697001	Camshaft Assembly, Kohler	1
15	47629698001	Spring, Wave, Kohler	1

9

G



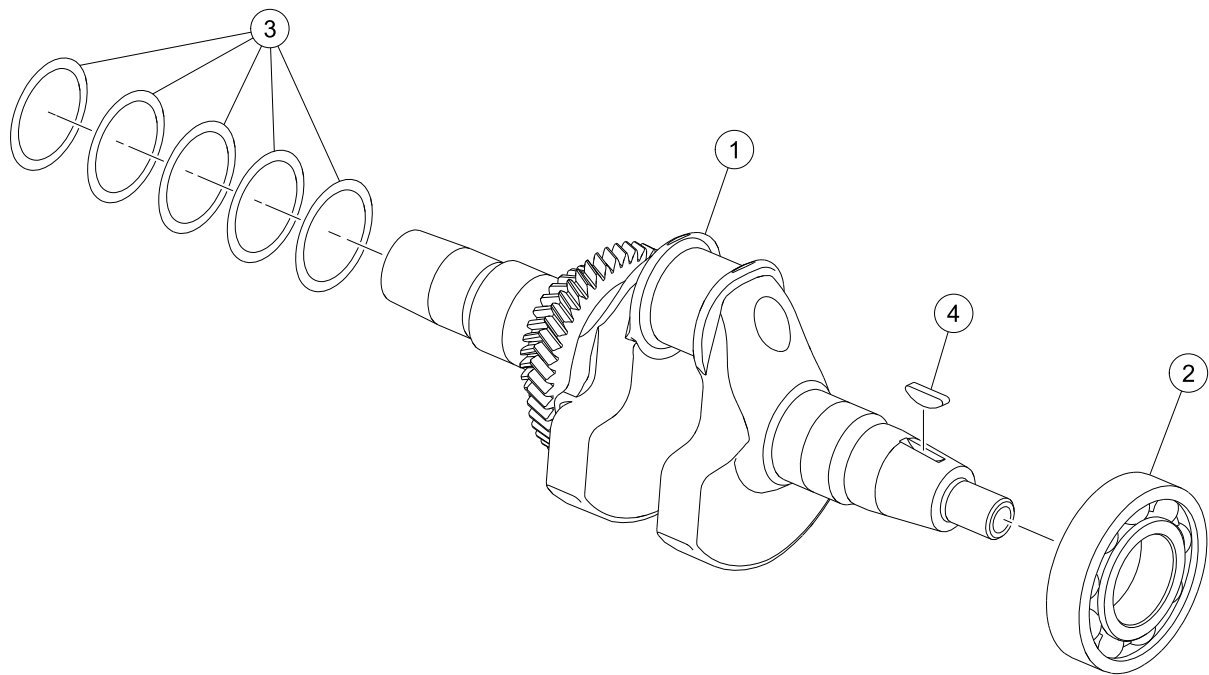
G-040699-000001

OIL SENSOR AND LUBRICATION – ECH440

ITEM	PART NO.	DESCRIPTION	QTY
		1 2 3 4	
1	47629699001	Gasket, Closure Plate, Kohler	1
2	47629700001	Screw, Closure Plate, Kohler	7
3	47629701001	Switch, Oil Sensor Assembly, K	1
4	47629702001	Screw, Hex Flange (m6), Kohler	18
5	47629703001	Dipstick, Assembly, Kohler	1
6	47629705001	O-ring, Dipstick Cap, Kohler	2
7	47629707001	Cap Assy, Oil Fill, Kohler	1
8	47629709001	Bracket, Dipstick Tub, Kohler	1
9	47640020001	Plate, Closure, Kohler	1

9

G



G-040299-000001

CRANKSHAFT – ECH440

ITEM	PART NO.	DESCRIPTION	QTY
		1 2 3 4	
1	47629583001	Crankshaft Assembly, Kohler	1
2	47629585001	Bearing, Crankshaft, Kohler	2
3	47629588001	Kit, Shims, Kohler	5
4	47629589001	Key, Flywheel, Kohler	1

9

G

9

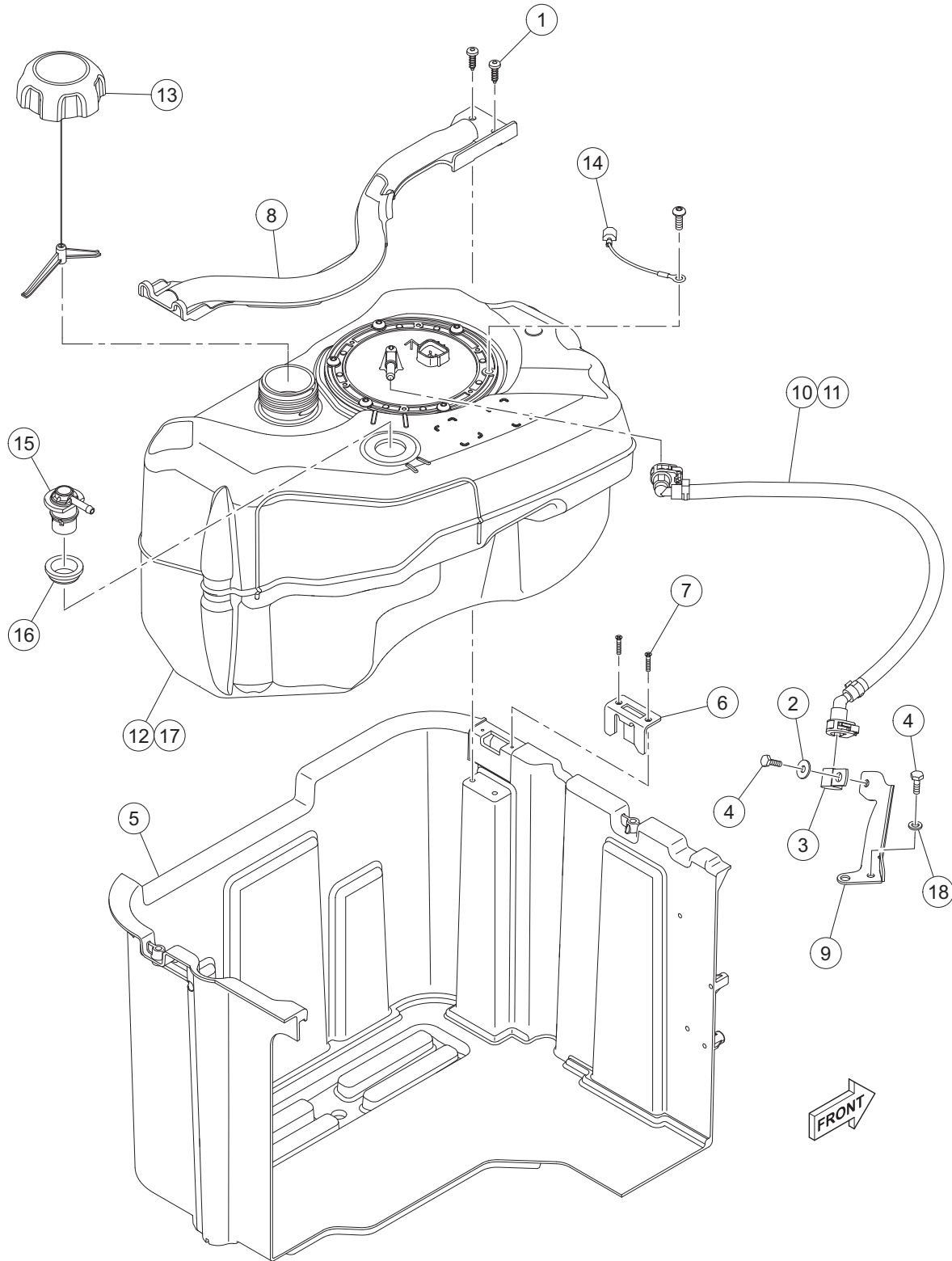
G

FUEL SYSTEM – EFI

10

G

10
G

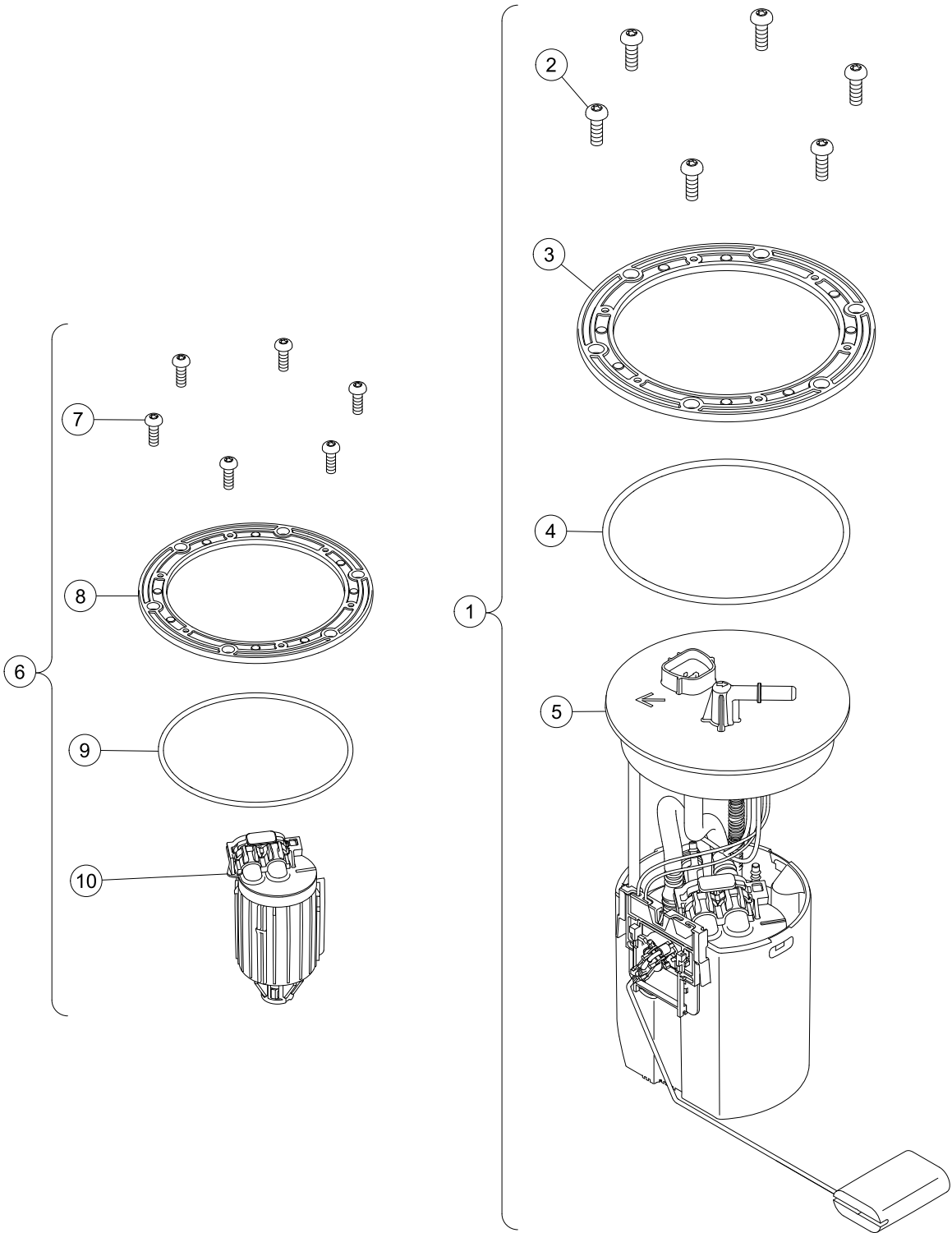


G-100499-000001

FUEL TANKS

10
G

ITEM	PART NO.	DESCRIPTION	QTY
		1 2 3 4	
1	102296020	Screw-torx Pan Head Pt, M6x20	2
2	102296301	Washer, M6x18x1.6 Flat	1
3	102410604	P-clamp, Insulated, 0.625 Inch	1
4	102490301	Bolt, M6 X 1 X 16, Loctite	1
5	47610134002	Bucket, Gas Vehicle, Glf, Csmr (includes items 6 and 7)	1
6	103470701	Bracket, Bucket Hinge	2
7	N/A	Screw, #6 X .75, Cs Ss, Hi-lo	4
8	47610135001	Retainer, Tank	1
9	47643624002	Bracket, Fuel Line	1
10	47674563001	Asm, Fuel Line, Glf, Csmr	1
11	47674563002	Asm, Fuel Line, Glf, Csmr, Lft	1
12	47684368001	Asm, Tank, Fuel, Su 50psi (includes items 13 through 16)	1
13	103372101	Cap, Fuel Tank, Gas, Ratchet	1
14	105143301	Wire, Ground, Fuel Tank	1
15	47611876001	Vent Rov, Fuel Tank, Precedent	1
16	47611877001	Grommet, Fuel Tank, Vent	1
17	47684368002	Asm, Tank, Fuel Nsu,50psi	1
18	96705199	Washer, M6	1
<p>Note: Items 13 through 17 apply to items 12 and 17.</p>			



G-100699-000001

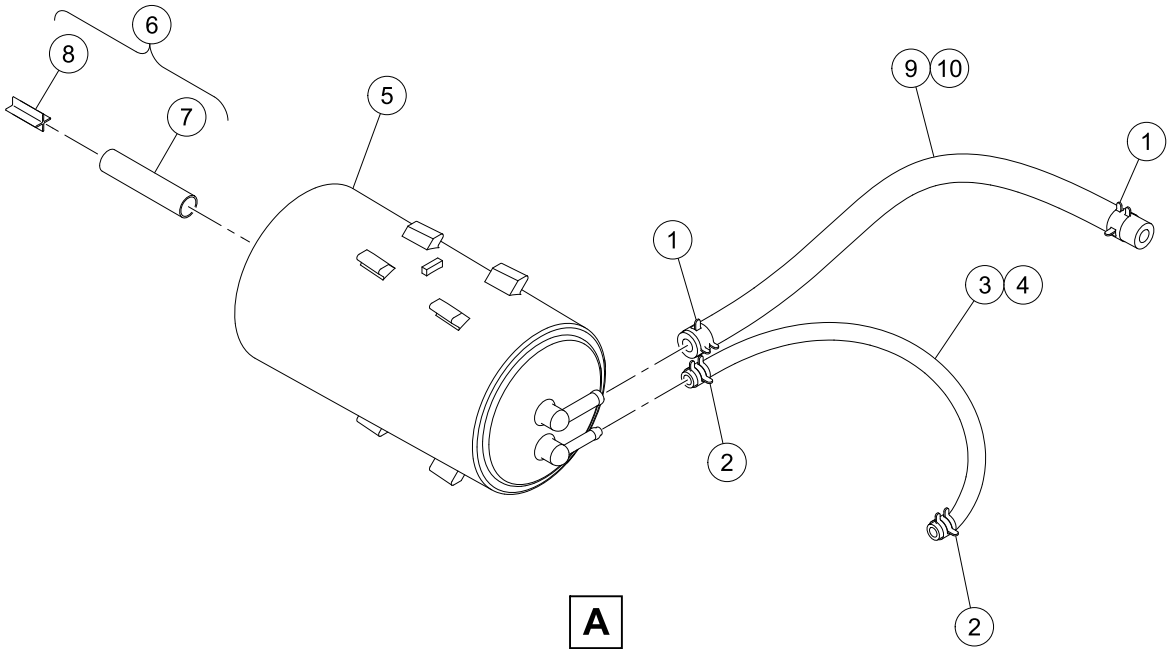
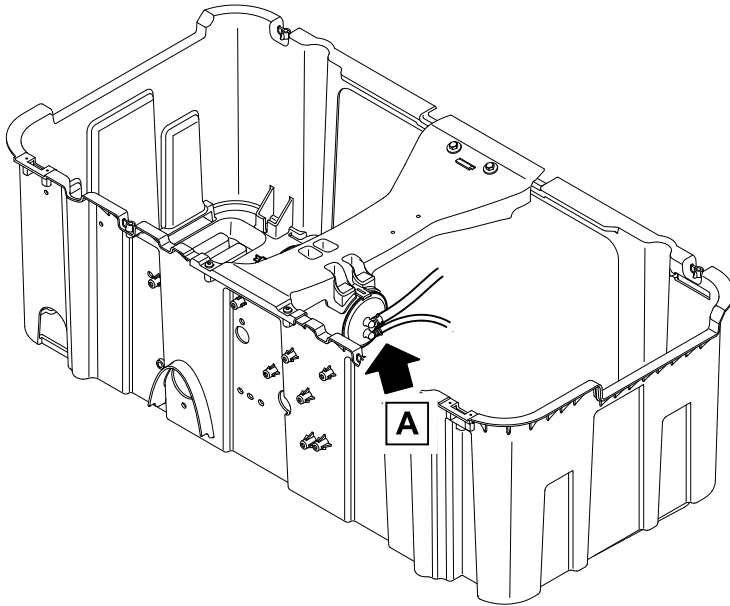
FUEL PUMP AND FUEL FILTER KITS

ITEM	PART NO.	DESCRIPTION	QTY
		1 2 3 4	
1	47622330001	Kit, Fuel Pump Module, 50 Psi (includes items 2 through 5)	1
2	102025801	Screw, 1/4-20 X .75 Torx Pn Hd	6
3	105043801	Fuel Module, Hold Down Ring	1
4	105043901	O-Ring, Fuel Module	1
5	N/A	Fuel Pump Module Su 50psi	1
6	47623339001	Kit, Fuel Filter, 50 Psi (includes items 7 through 10)	1
7	102025801	Screw, 1/4-20 X .75 Torx Pn Hd	6
8	105043801	Fuel Module, Hold Down Ring	1
9	105043901	O-Ring, Fuel Module	1
10	N/A	Fuel Filter, 50psi	1
Note: Fuel pump kits are supplied with a sending unit for all field replacement kits.			

10

G

10
G



G-100399-00002

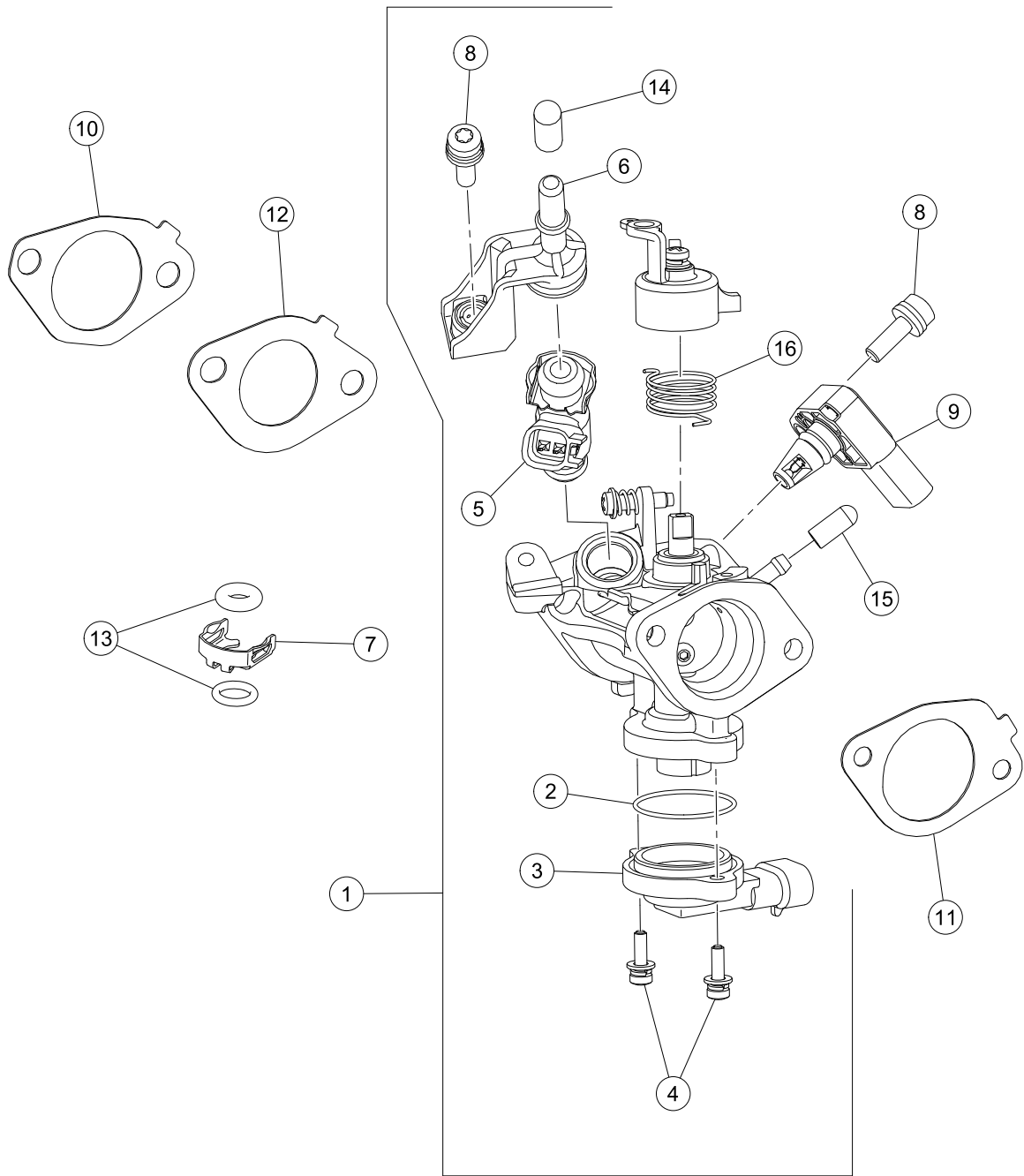
CARBON CANISTER – EFI

ITEM	PART NO.	DESCRIPTION	QTY
		1 2 3 4	
1	1012649	Clamp, 0.460 Red Hose	2
2	1013746	Clamp, 0.301 ID Hose	2
3	101587711	Hose, Fuel, Vent, 11.5" Long	1
4	101587712	Hose, Fuel, Vent, 12.5" Long	1
5	103372401	Canister, Carbon	1
6	103756401	Asm, Vent Line, Carbon Canister (includes items 7 and 8)	1
7	N/A	Hose, Vent, 5/16 I.D., Bulk	1
8	N/A	Vent, Barb, 5/16 I.D. Hose	1
9	103896607	Hose, Vent, 1/4 Id, 11.5 In (includes item 10)	1
10	47560464001	Hose, Fuel 1/4saej1737 Bulk	A/R
Note: Bulk hose material for items 3 (non-lifted only) and 4 (lifted only) can be ordered using part number 1015137.			

10

G

10
G

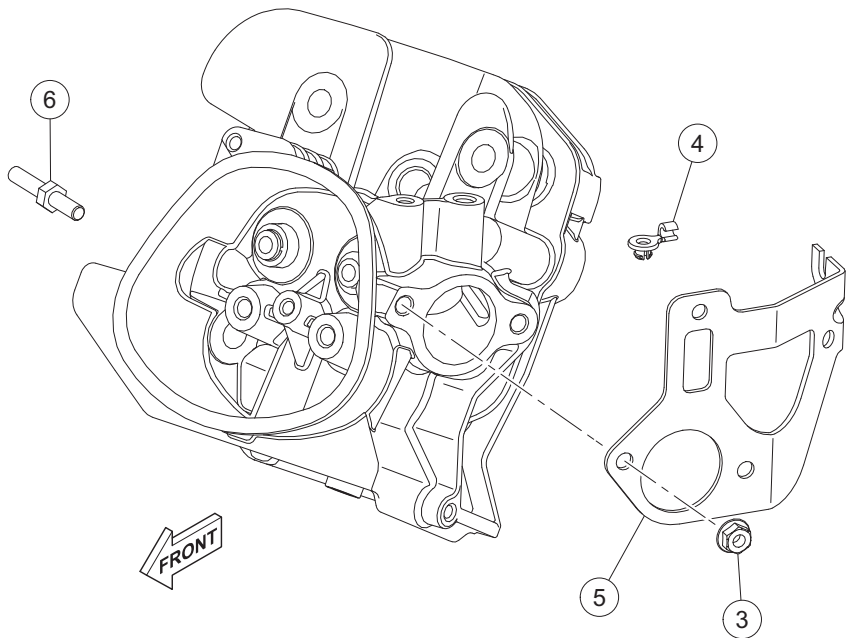
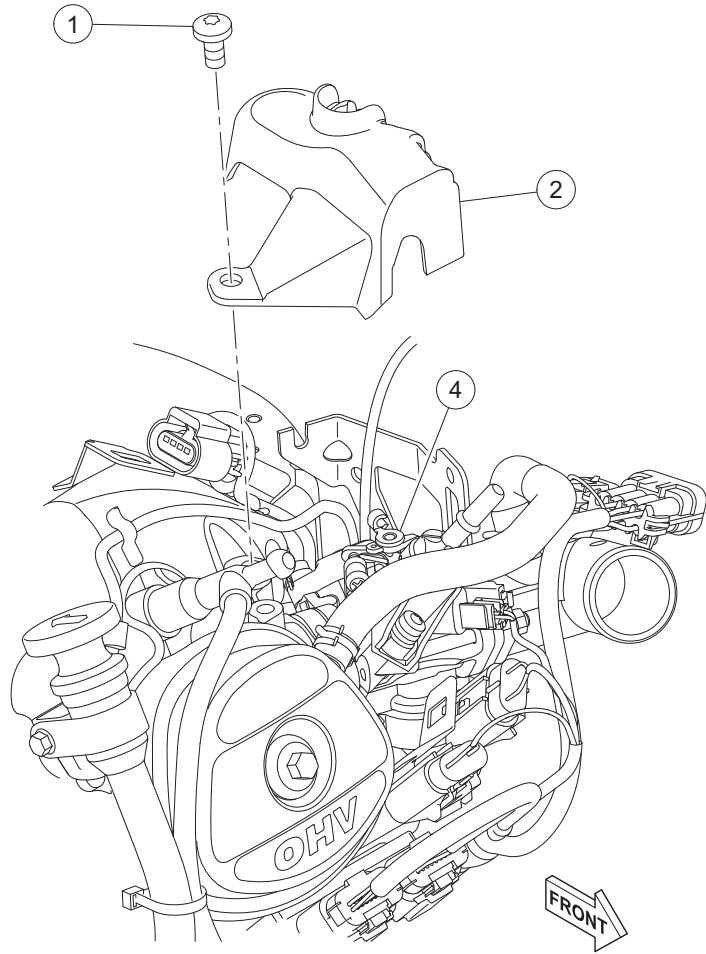


G-100199-000001

THROTTLE BODY AND MOUNTING

ITEM	PART NO.	DESCRIPTION	QTY
		1 2 3 4	
1	47629857001	Throttle Body, Assembly, Kohle	1
2	47629858001	O-ring, Kohler	1
3	47629859001	Kit, Tps, Kohler	1
4	47629860001	Screw, Hexalobular, M4 X 0.7 X	2
5	47629861001	Injector, Fuel, Kohler	1
6	47629862001	Cap, Fuel Inector, Kohler	1
7	47629864001	Clip, Retainer, Kohler	1
8	47629865001	Screw, Hexalobular, M6 X 1 Sem	2
9	47629866001	Sensor, T-map, Kohler	1
10	47629867001	Kit, Gasket Intake, Kohler	1
11	47629868001	Gasket, Throttle Body, Kohler	1
12	47629869001	Gasket, Insulator To T-body, K	1
13	47629870001	Kit, Fuel Injector O-ring, Koh	1
14	47629871001	Cap, Masking, Kohler	1
15	47629872001	Cap, Masking, Kohler	1
16	47629874001	Spring, Return, Kohler	1

10
G



G-040999-000004

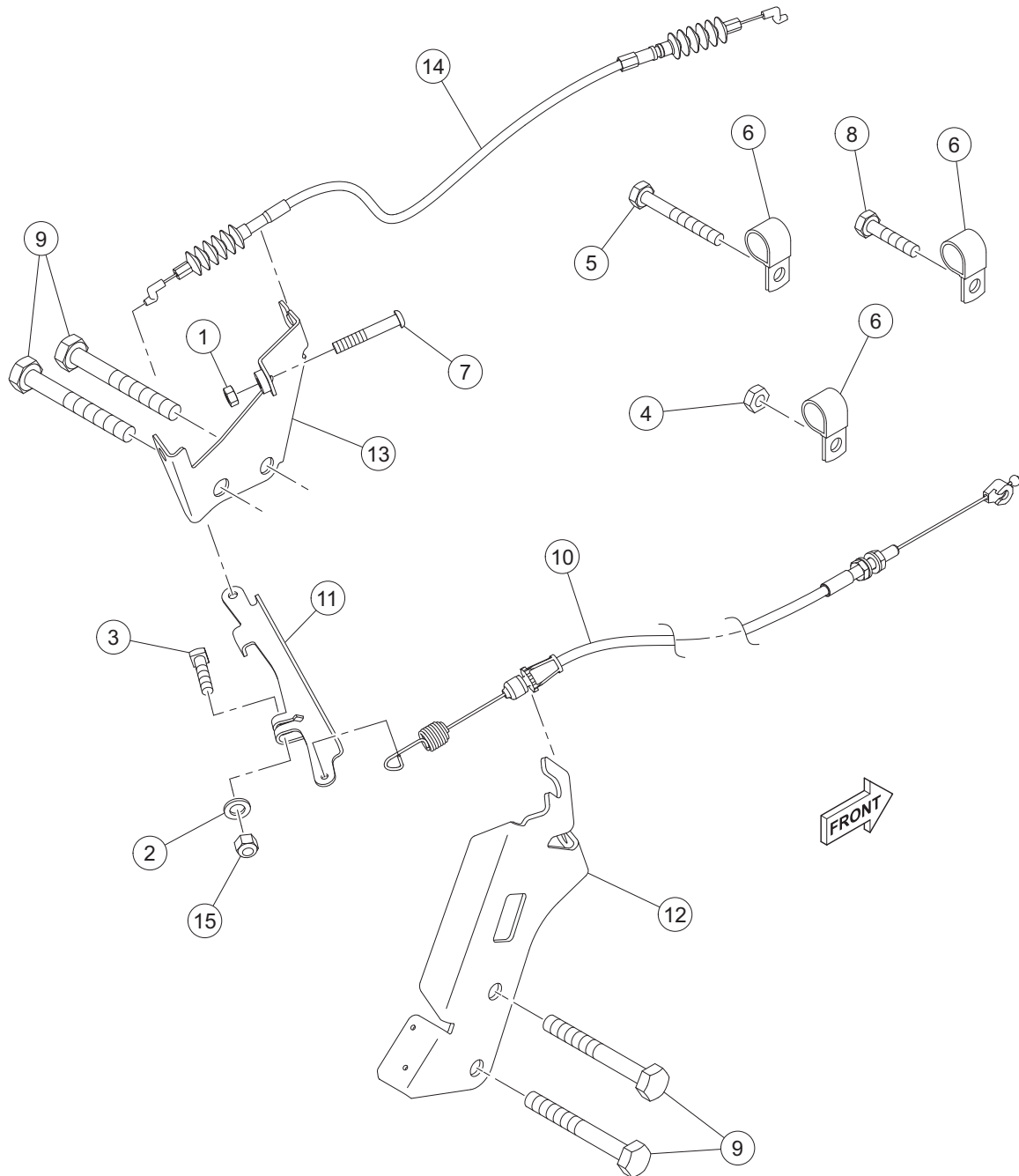
GOVERNOR BRACKET AND COVER – EFI

ITEM	PART NO.	DESCRIPTION	QTY
		1 2 3 4	
1	102298116	Bolt, Flanged Head, M8 X 16.0	1
2	47612352001	Cover, Governor, Ech 440	1
3	47629875001	Nut, Hex Flange Lock (m6), Koh	2
4	47629876001	Bushing, Linkage Retainer, Koh	1
5	47629877001	Bracket, Governor, Kohler	1
6	47629878001	Stud, Ground, Kohler	1

10

G

10
G



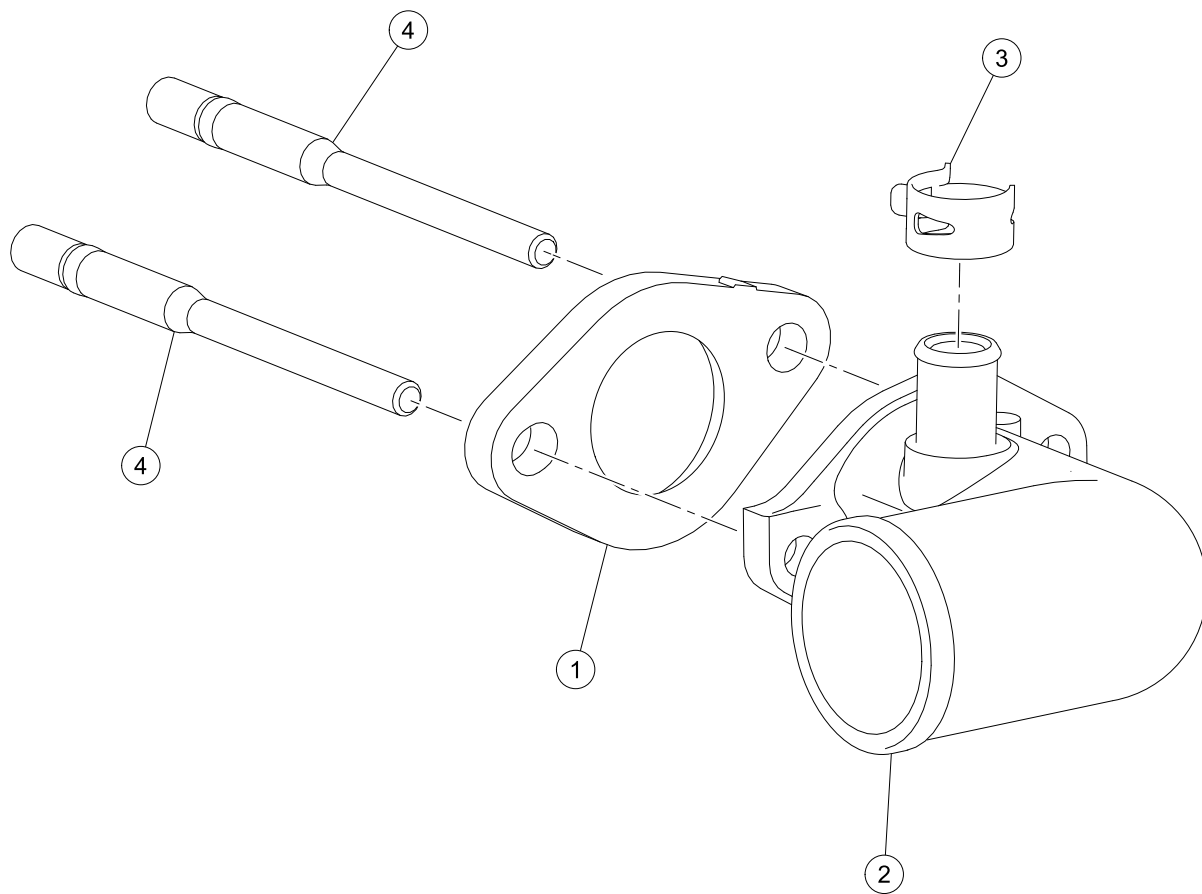
G-100599-000002

GOVERNOR AND ACCELERATOR CABLES – EFI

ITEM	PART NO.	DESCRIPTION	QTY
		1 2 3 4	
1	1011114	Nut, M6-1.00 Hex	2
2	1014007	Washer, 1/4, Flat	1
3	101886101	Screw, 1/4-20 X 1.00, Square-Head	1
4	101887601	Locknut, M6-1.00 Nylon Insert	1
5	102296716	Screw, M6 X 16 Tt Hx Fl Hd	1
6	102410604	P-clamp, Insulated, 0.625 Inch	3
7	102476401	Bolt, Stop, Pedal	1
8	102490301	Bolt, M6 X 1 X 16, Loctite	1
9	102498201	Bolt, M10 X 1.25 X 25, Loctite	2
10	103978001	Cable, Governor, EX40	1
11	103982002	Cable, Accelerator, High Speed	1
12	104023501	Arm, Governor, ED65	1
13	105135101	Bracket, Cable, FNR/Accelerator, ED65	1
14	105144401	Weldment, Governor Bracket	1
15	47601355001	Cable, Governor, Z Fit 90 Fit	1
16	8233	Locknut, 1/4-20, Nylon Insert	1

10

G



G-040999-000003

AIR INTAKE ELBOW – EFI

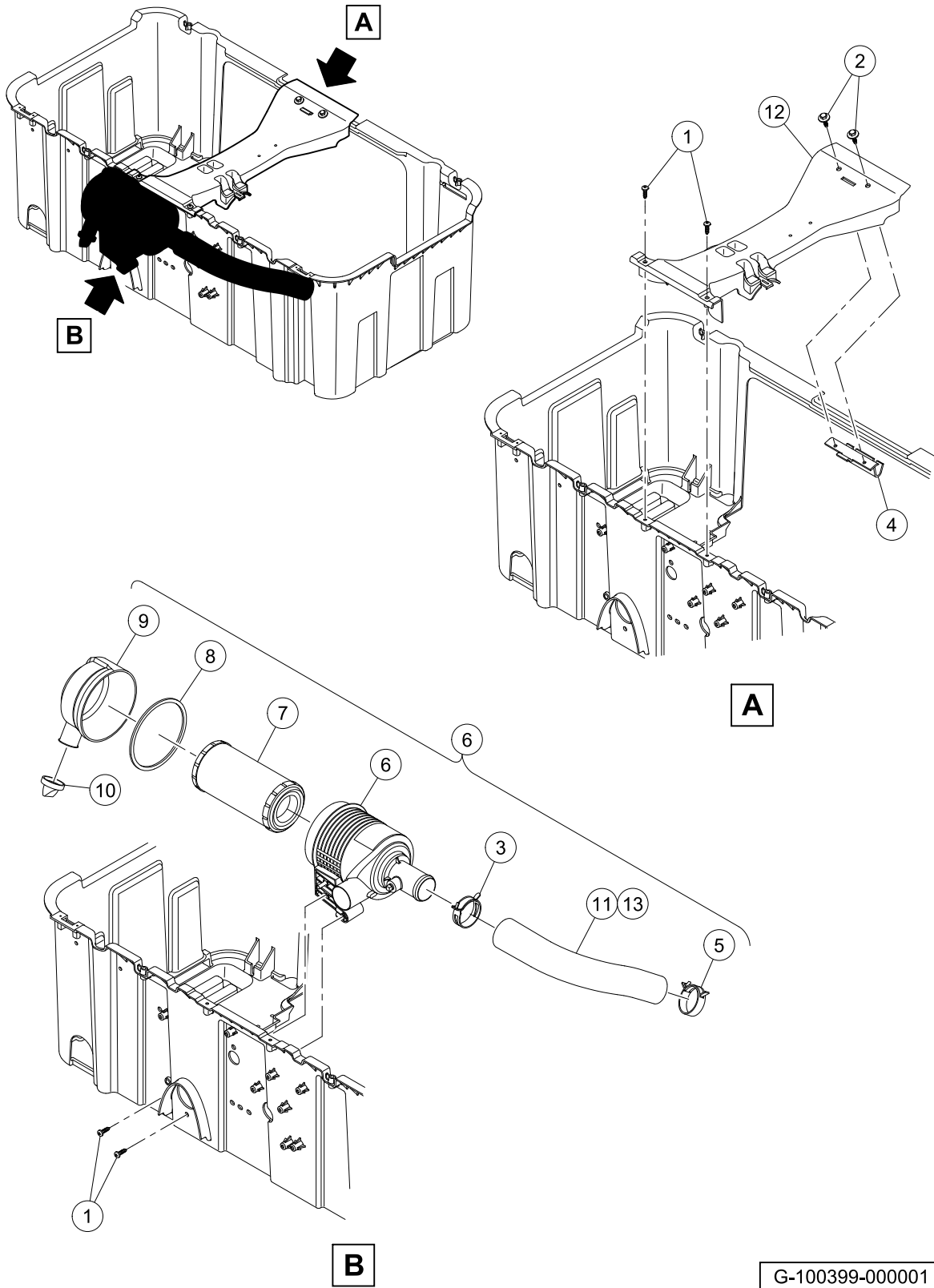
ITEM	PART NO.	DESCRIPTION	QTY
		1 2 3 4	
1	47629879001	Insulator Throttle Body, Kohler	1
2	47629880001	Elbow, Air Inlet, Kohler	1
3	47629881001	Clamp, Breather Hose, Kohler	1
4	47629882001	Stud, Intake, Kohler	2

10

G

10

G



G-100399-000001

AIR FILTER SYSTEM AND INTAKE HOSE – EFI

ITEM	PART NO.	DESCRIPTION	QTY
		1 2 3 4	
1	102296020	Screw-torx Pan Head Pt, M6x20	4
2	102297125	Screw, M6-1.0x25.4, Thread-Forming, SEMS	2
3	102411209	Clamp, Hose, Ctb 55mm Dia.	1
4	102521401	Support, Gas Bucket Brace	1
5	102558301	Clamp, Air Intake	1
6	105009001	Air Cleaner, with EFI (includes items 7 through 10)	1
7	102558201	Air Filter, 4 Inch	1
8	102558501	Gasket, Air Intake	1
9	102558601	Asm, Cover, Air Intake	1
10	102558701	Evac Valve, Air Intake	1
11	47560765001	Hose, Intake, Lift, Csmr	1
12	47610136001	Brace, Gas Fuel Bucket	1
13	47615815001	Hose, Intake, Extr, 327 Lg	1
Note: Item 11 is for lifted vehicles only. Item 13 is for non-lifted vehicles only.			

10

G

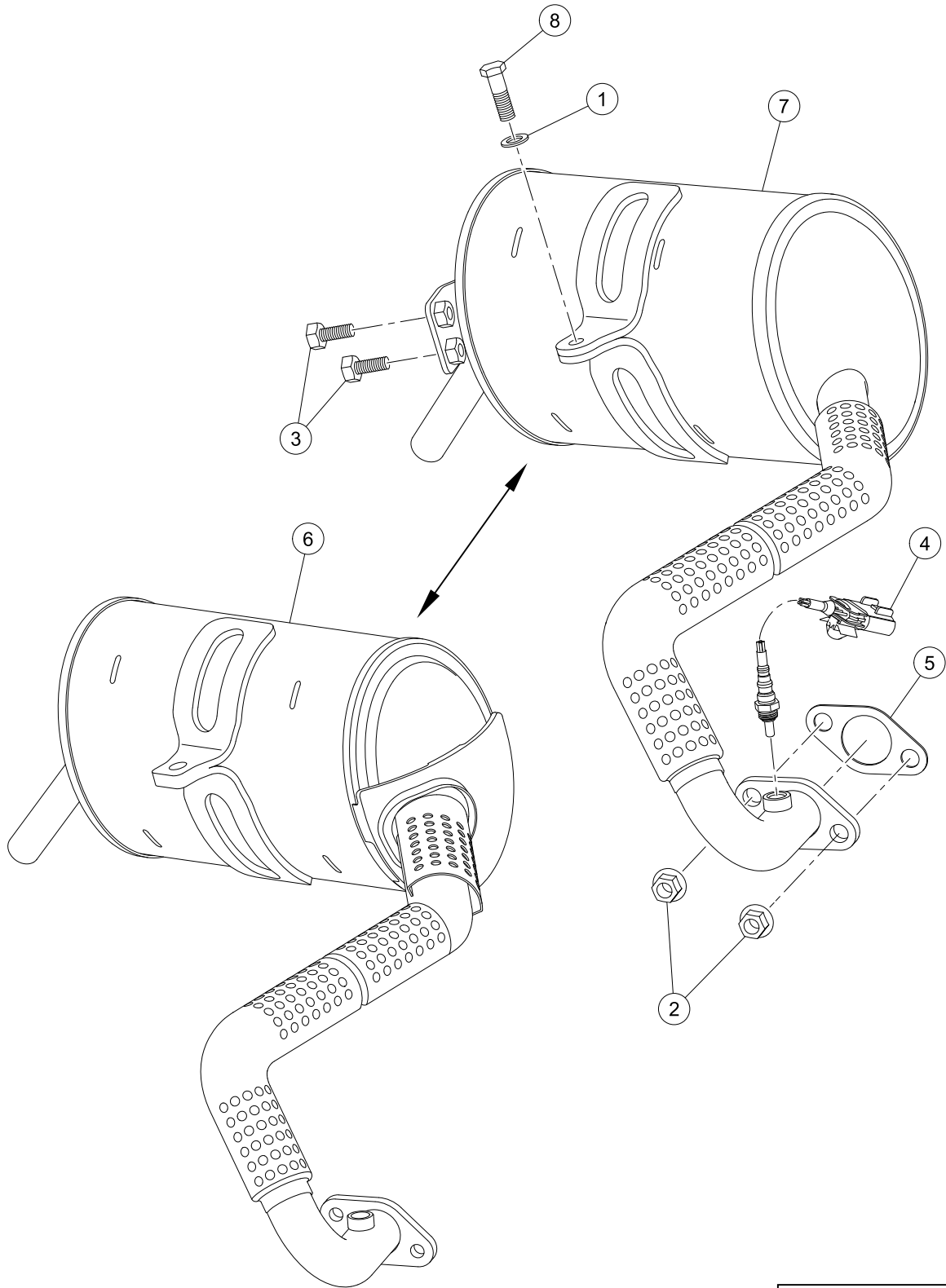
10

G

EXHAUST SYSTEMS – ECH440

11

G



G-110199-000003

EXHAUST SYSTEMS

ITEM	PART NO.	DESCRIPTION	QTY
		1 2 3 4	
1	1011697	Washer, 5/16 Flat	1
2	102298401	Nut, M8, All Metal Lock	2
3	102922701	Bolt, Flanged Head, M8x1.25x20 Lock Patch	2
4	47611209001	Asm, Sensor, Oxygen, Heated	1
5	47611210001	Gasket, Exhaust, Grpht, Ech440	1
6	47649808001	Exhaust, LTFF, ECH440	1
7	47649808002	Exhaust, Utility, ECH440	1
8	96705587	Bolt, M8 X 1.25 X 30	1

11
G

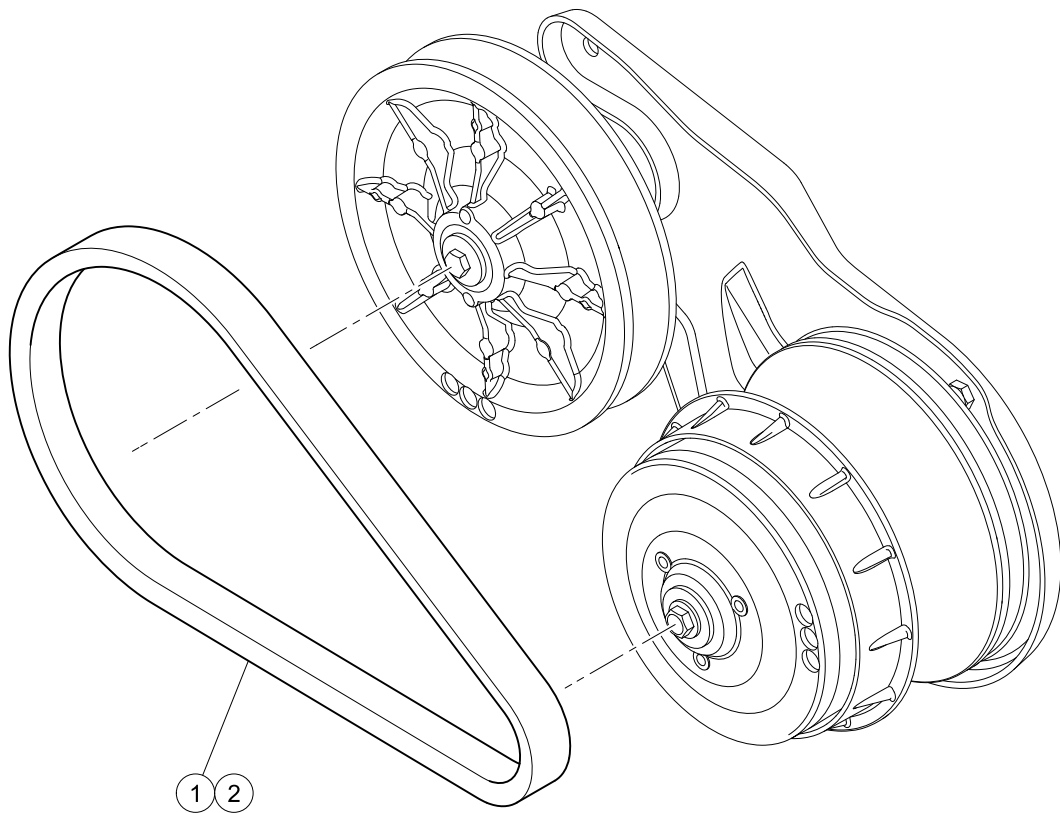
11

G

DRIVE BELT AND CLUTCHES – EFI GASOLINE VEHICLES

12

G

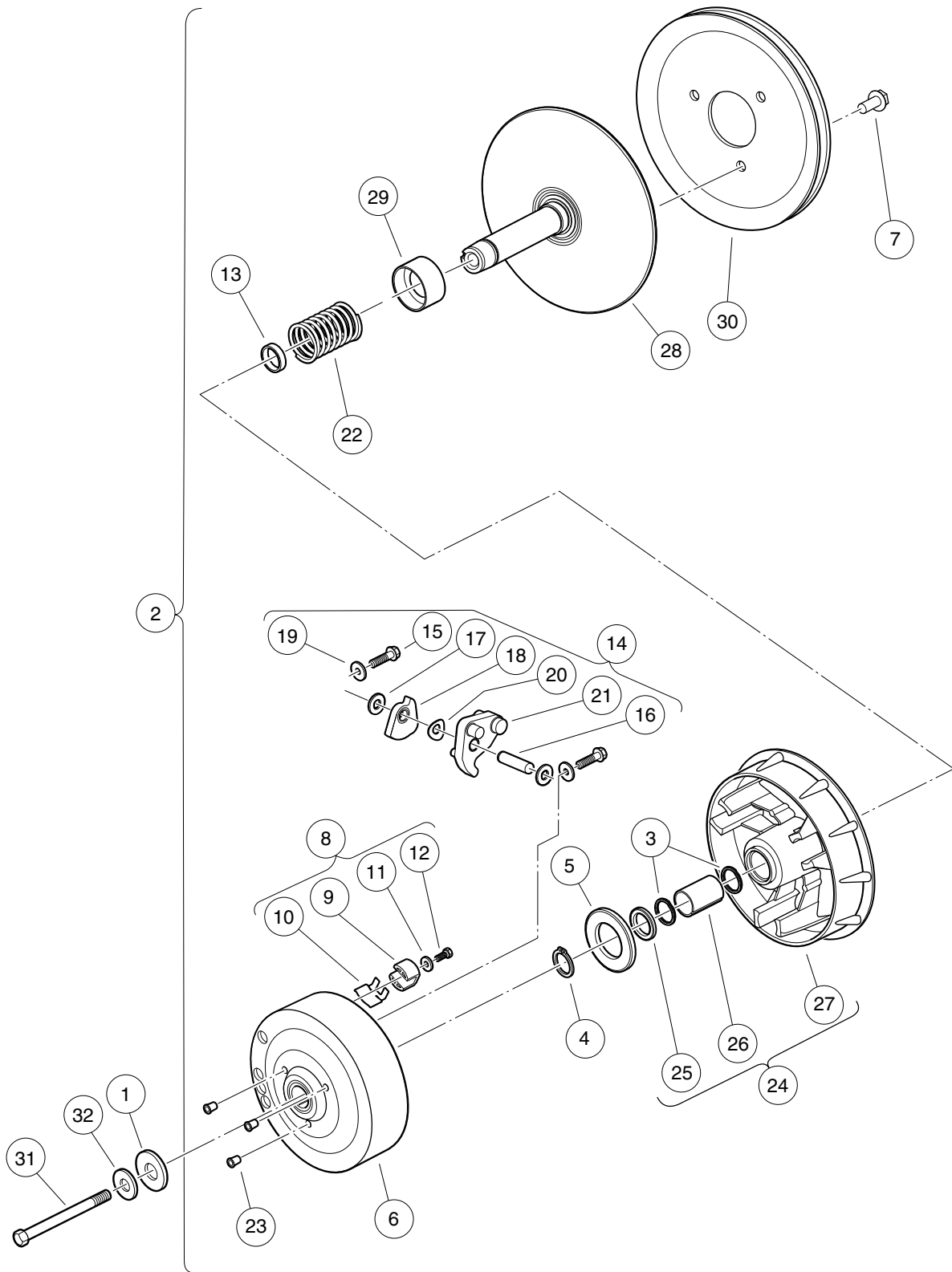


G-060099-000001

DRIVE BELTS – EFI

ITEM	PART NO.	DESCRIPTION	QTY
1	103974102	1 2 3 4 Belt, Drive, Key-Start	1
2	105245801	Belt, Drive, Pedal-Start	1

12
G



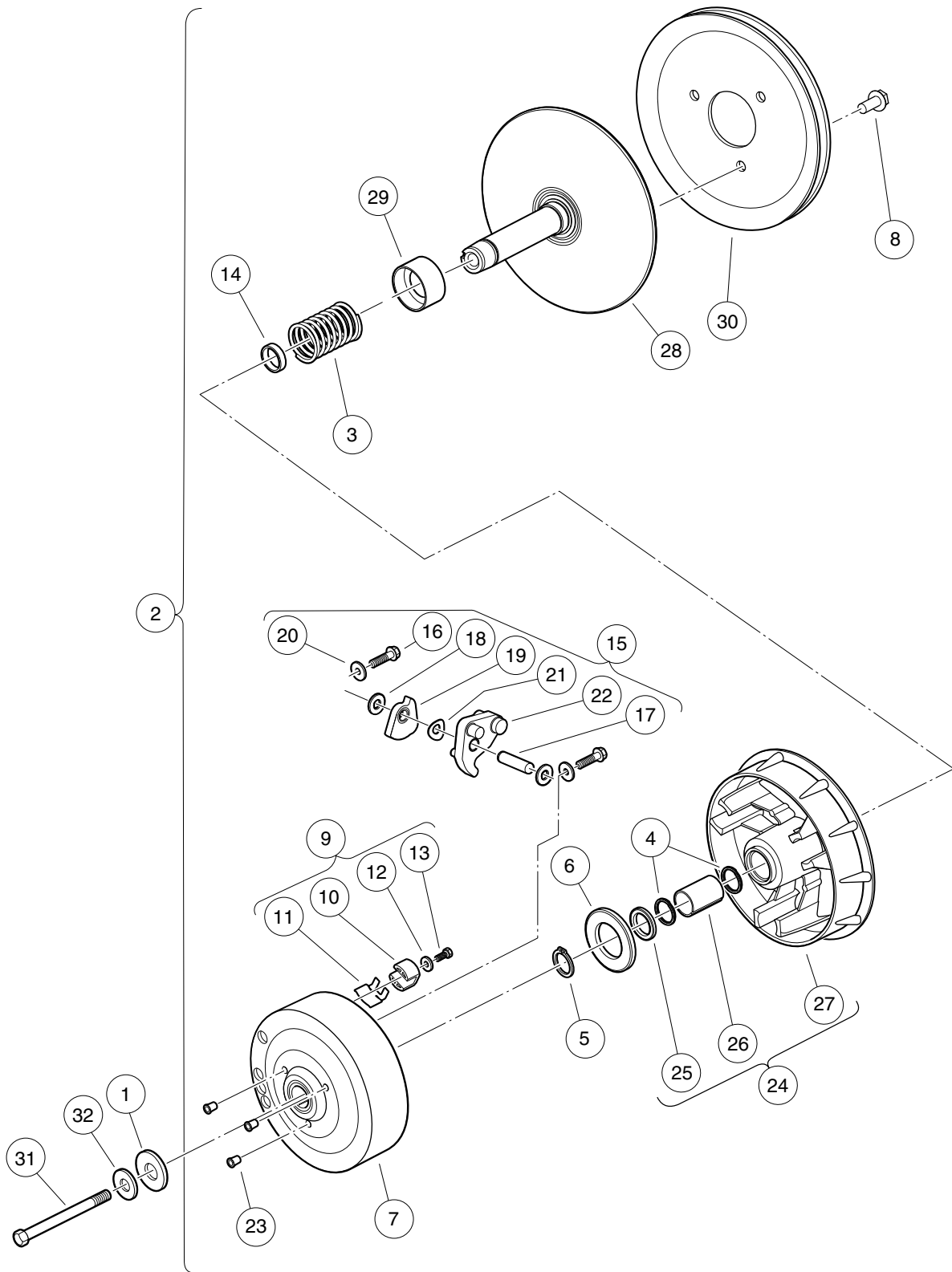
000958-002

DRIVE CLUTCH – KEY-START VEHICLES

ITEM	PART NO.	DESCRIPTION	QTY
		1 2 3 4	
1	102491501	Washer, Hard, M10	1
2	103973902	Clutch, Drive, Key-Start (includes items 3 through 30)	1
3	1014056	Ring, Spiral Backup	2
4	1014057	Ring, 0.810" Internal Retaining	1
5	1014058	Thrust Washer	1
6	1014059	Drive Hub Assy, Drive Clutch	1
7	1014288	Screw, 5/16-18 X 0.75, Thread-Forming	3
8	1014453	Kit, Drive Clutch Button (includes items 9 through 12)	1
9	1014062	Driver, Drive Clutch	3
10	1014287	Spring, Drive Button	3
11	183	Washer, #10, Type A, Flat	3
12	8450	Screw, #10-24 X 0.50, Hex-Head	3
13	1016289	Spacer, Fixed Face Shaft	1
14	1016801	Kit, Drive Clutch Weight (includes items 15 through 21)	1
15	1014063	Screw, 1/4-20 X 1.00, Hex Head	6
16	N/A	Pin, Dowel, 0.3752 x 1.50	3
17	1014065	Washer, Flat, 0.38" ID, Delrin	6
18	N/A	Clutch Weight, Secondary	3
19	N/A	Washer	6
20	1016201	Washer, Wave	3
21	N/A	Weight, Primary	3
22	1016901	Spring, Drive Clutch	1
23	N/A	Cap Plug	3
24	103974201	Asm, Sheave, Moveable, Drive, Wr (includes items 25 through 27)	1
25	1014055	Retainer	1
26	N/A	Bushing, Split, Drive Clutch	1
27	N/A	Sheave, Moveable, Drive, Wr	1
28	103974401	Sheave, Fixed, Drive, Wr	1
29	103984601	Spacer, Idler, Drive	1
30	105096101	Pulley, 7.3 Inch Effective Dia	1
31	103976101	Screw, 3/8-24x5.75, Patch	1
32	334	Washer, 3/8, Type A, Flat	1

12

G



000958-001

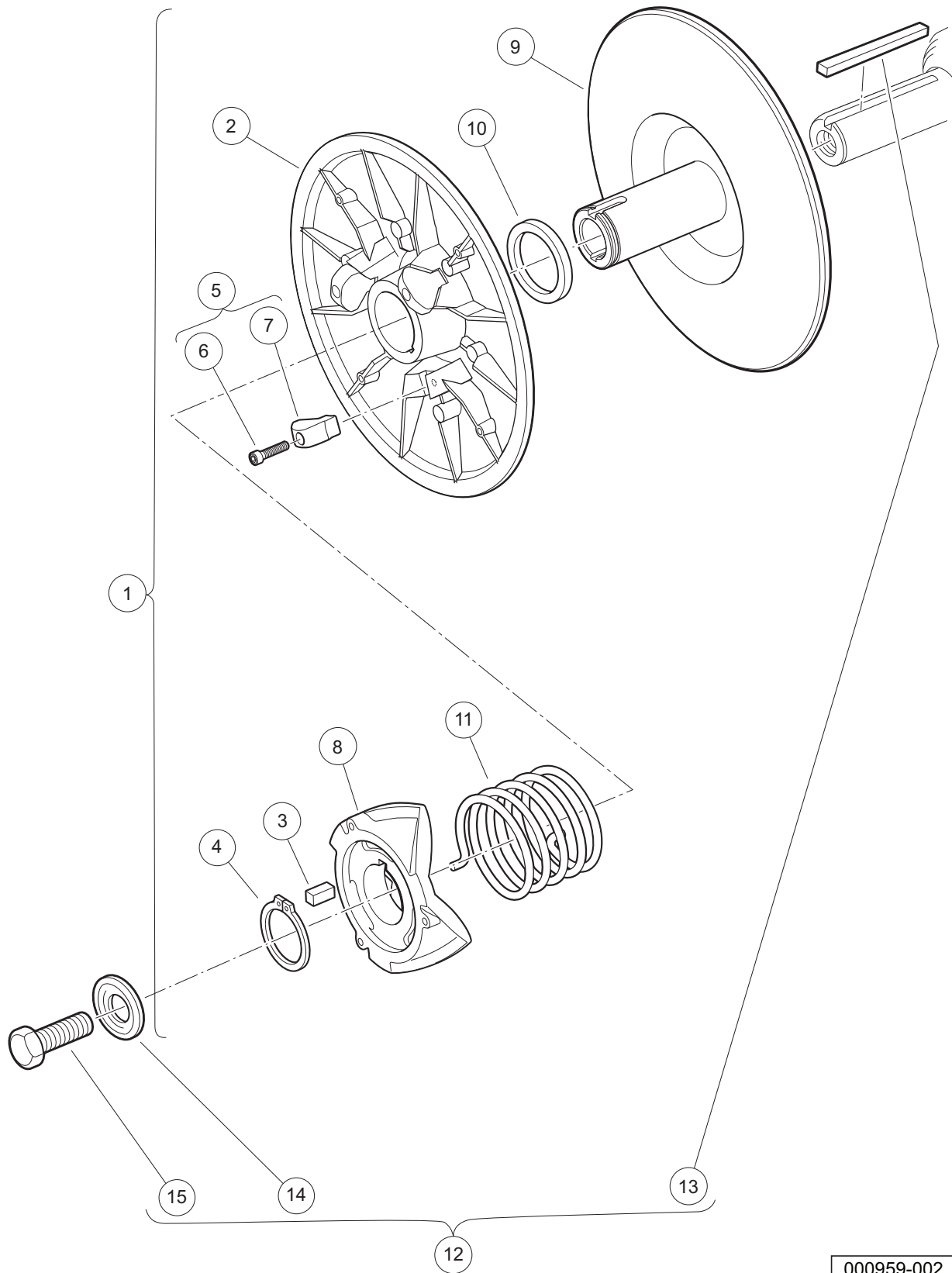
DRIVE CLUTCH – PEDAL-START VEHICLES

ITEM	PART NO.	DESCRIPTION	QTY
		1 2 3 4	
1	102491501	Washer, Hard, M10	1
2	103973901	Clutch, Drive, Pedal-Start (includes items 3 through 30)	1
3	1014051	Spring, Drive Clutch	1
4	1014056	Ring, Spiral Backup	2
5	1014057	Ring, 0.810" Internal Retaining	1
6	1014058	Thrust Washer	1
7	1014059	Drive Hub Assy, Drive Clutch	1
8	1014288	Screw, 5/16-18 X 0.75, Thread-Forming	3
9	1014453	Kit, Drive Clutch Button (includes items 10 through 13)	1
10	1014062	Driver, Drive Clutch	3
11	1014287	Spring, Drive Button	3
12	183	Washer, #10, Type A, Flat	3
13	8450	Screw, #10-24 X 0.50, Hex-Head	3
14	1016289	Spacer, Fixed Face Shaft	1
15	1016801	Kit, Drive Clutch Weight (includes items 16 through 22)	1
16	1014063	Screw, 1/4-20 X 1.00, Hex Head	6
17	N/A	Pin, Dowel, 0.3752 x 1.50	3
18	1014065	Washer, Flat, 0.38" ID, Delrin	6
19	N/A	Clutch Weight, Secondary	3
20	N/A	Washer	6
21	1016201	Washer, Wave	3
22	N/A	Weight, Primary	3
23	N/A	Cap Plug	3
24	103974201	Asm, Sheave, Moveable, Drive, Wr (includes items 25 through 27)	1
25	1014055	Retainer	1
26	N/A	Bushing, Split, Drive Clutch	1
27	N/A	Sheave, Moveable, Drive, Wr	1
28	103974401	Sheave, Fixed, Drive, Wr	1
29	103984601	Spacer, Idler, Drive	1
30	105096101	Pulley, 7.3 Inch Effective Dia	1
31	103976101	Screw, 3/8-24x5.75, Patch	1
32	334	Washer, 3/8, Type A, Flat	1

12

G

12
G



000959-002

DRIVEN CLUTCH – KEY START AND PEDAL START

ITEM	PART NO.	DESCRIPTION	QTY
		1 2 3 4	
1	47601767001	Asm, Clutch, Driven, Ccw, Blk (includes items 2 through 11)	1
2	1014072	Movable-Face Assembly with Bushing	1
3	1014078	Key, Driven Clutch	1
4	1014080	Ring, Retaining	1
5	1014454	Kit, Driven Clutch Button (includes items 6 and 7)	1
6	1012836	Screw, #8-32 X 3/4, Socket-Head Cap	3
7	N/A	Button, Drive	3
8	1017686	Cam, Driven Clutch	1
9	103975301	Sheave, Fixed, Driven, Wr	1
10	104025101	Washer, Acetal, Driven Clutch	1
11	47600218001	Spring, Drvn Clutch, Ccw, Blk	1
12	AM10419	Kit, Clutch Repair (includes items 13 through 15)	1
13	101833401	Key, 3/16 Sq X 1.50"	1
14	102155801	Washer, Driven Clutch	1
15	102242101	Screw, 5/16-18 X 3/4 Hex-Head with Patch	1

12

G

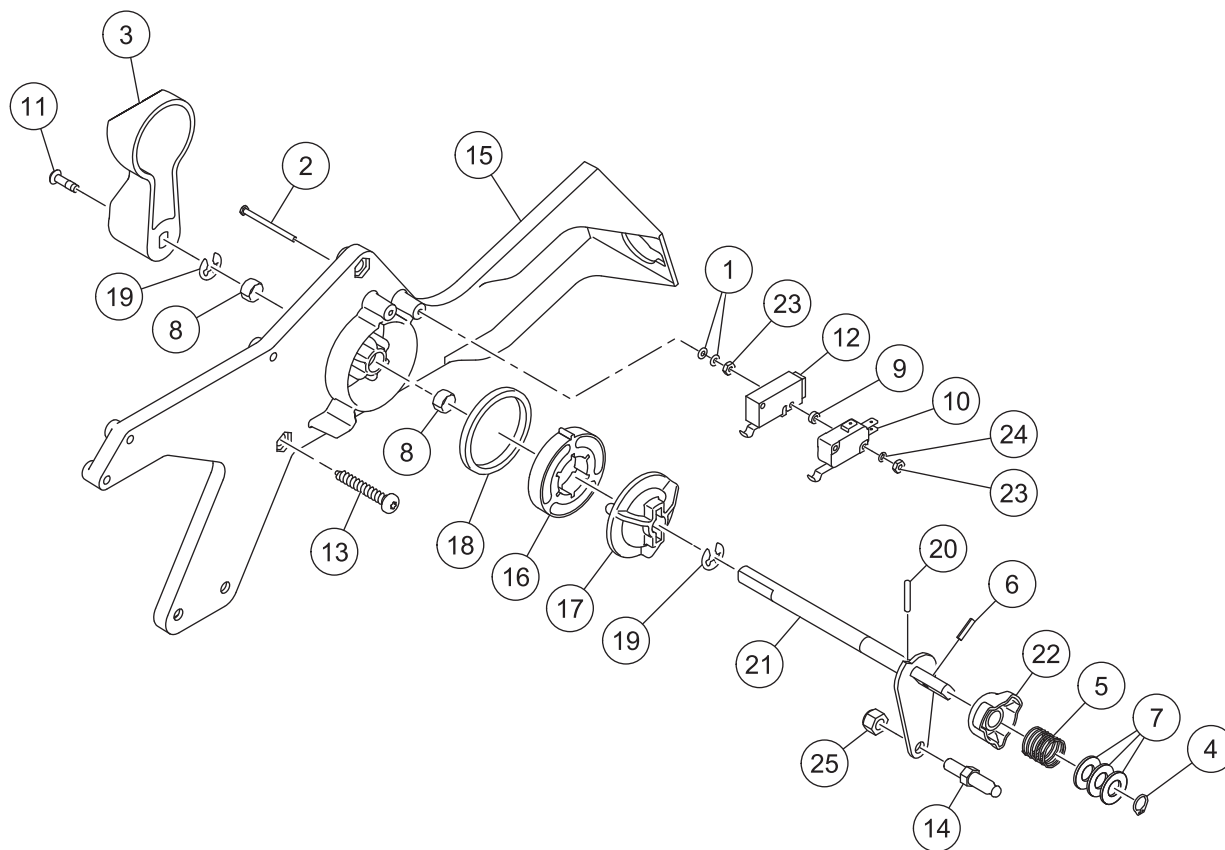
12

G

TRANSAXLE, FUJI ED65

13

G



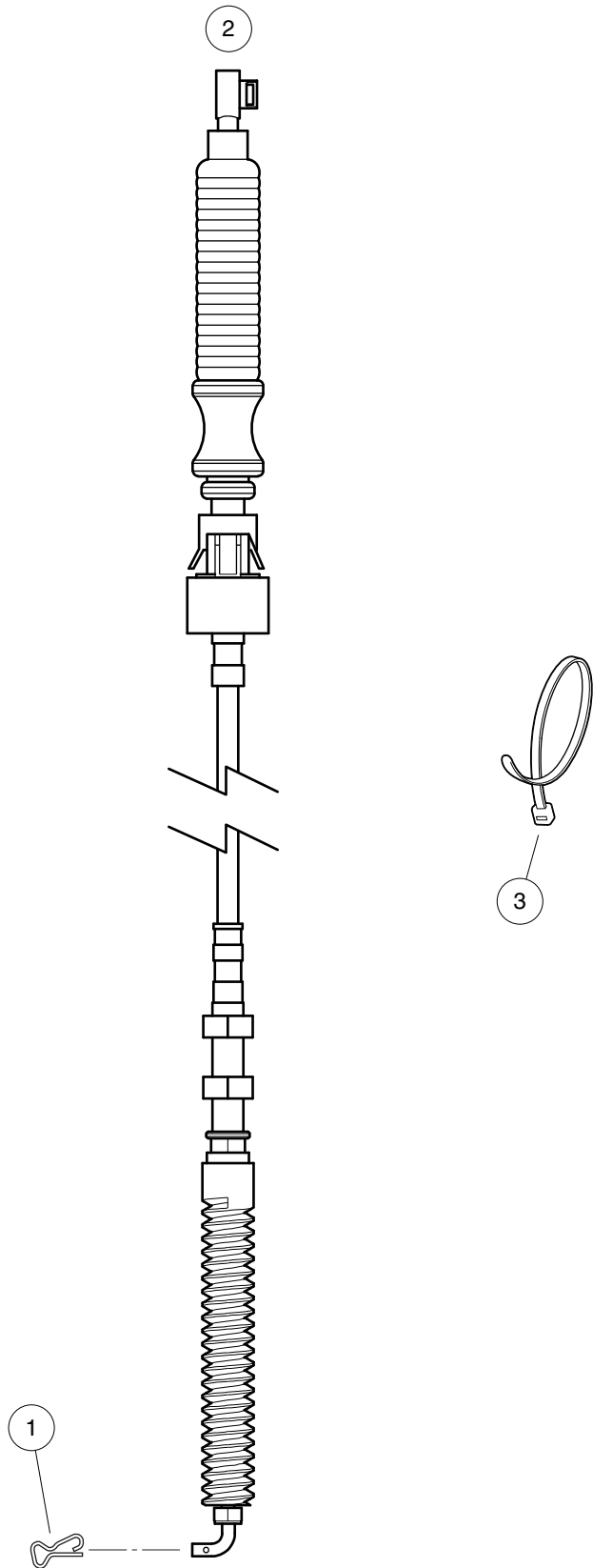
001063-003

FORWARD/REVERSE SHIFTER ASSEMBLY – EFI

ITEM	PART NO.	DESCRIPTION	QTY
		1 2 3 4	
1	1012431	Washer, #4 Flat	4
2	1012594	Screw, #4-40 Machine	2
3	1012987	Handle, FNR	1
4	1013589	Ring, Retaining, 0.338" Internal	1
5	1013590	Spring, FNR Cam	1
6	1013591	Pin, Roll, 1/8 X 1/2	1
7	1014065	Washer, Flat, 0.38" ID, Delrin	3
8	1014145	Bushing, Secondary Weight, Split	2
9	1014727	Washer, Flat, #4, Nylon	2
10	1014807	Switch, Limit	1
11	1015064	Screw, #8-32 X 0.63 Machine	1
12	101979101	Switch, Limit, Assembly, Sealed	1
13	102296040	Screw, Torx Pan Hd Pt, M6 X 40	3
14	102526201	Stud, Thread, 1/4-28	1
15	105037501	Housing, Gas FNR Body Shift	1
16	105037601	Cam, FNR Detent, 45 Degree	1
17	105037701	Follower, FNR Detent	1
18	105038501	Spring, Wave, Gas FNR Shifter	1
19	105039801	E-Clip, External, 8mm Groove	2
20	105040401	Pin, Round, 0.125 Dia x 0.625	1
21	105041101	Weldment, Shaft, Fnr	1
22	105074101	Cam, Neutral Lockout	1
23	8057	Nut, #4-40 Hex Machine	4
24	8058	Lockwasher, #4 Split	2
25	8717	Locknut, Nylon Insert, 1/4-28	1

13

G

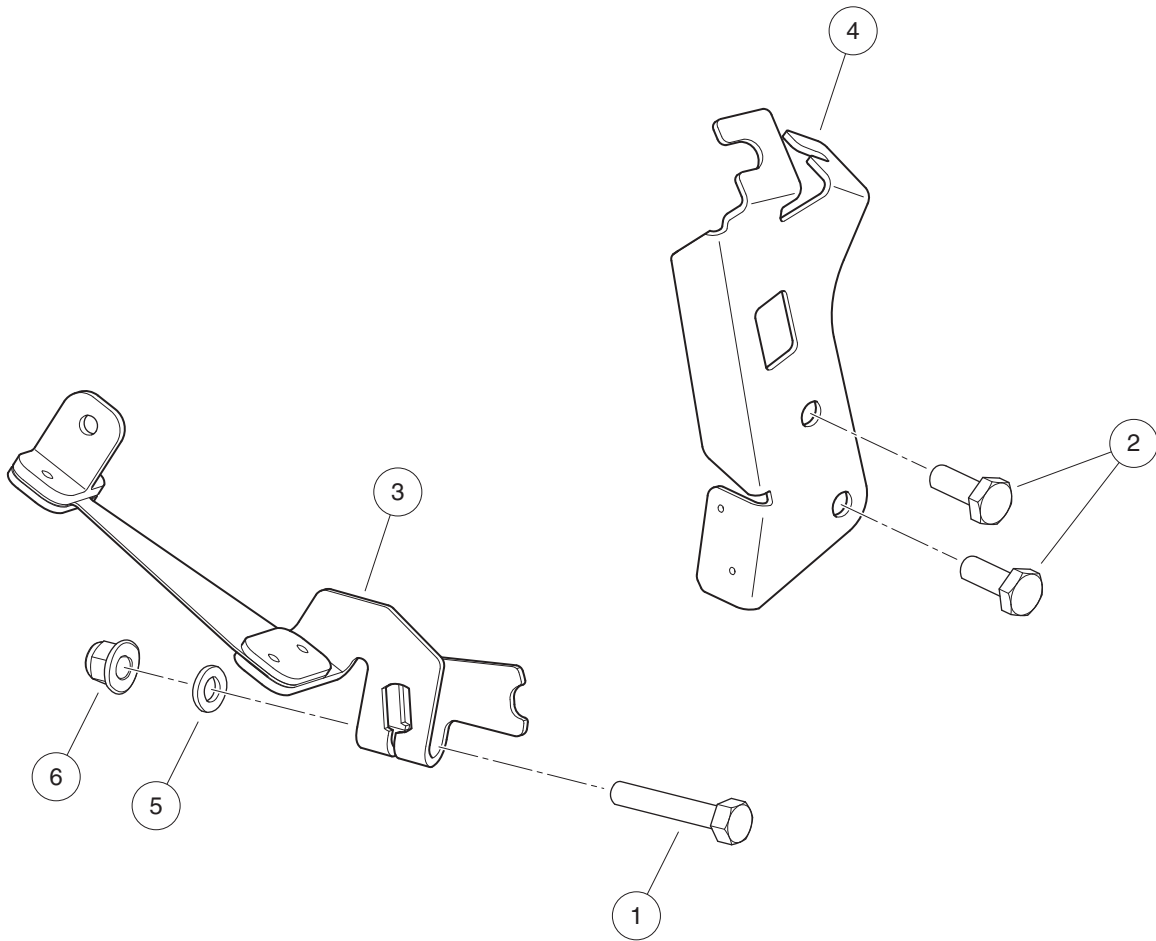


000988-001

SHIFTER CABLE

ITEM	PART NO.	DESCRIPTION	QTY
1	103886601	1 2 3 4 Clip, Bowtie	1
2	105038801	Cable, Shifter	1
3	8990	Tie Wrap, 8" Nylon	A/R

13
G



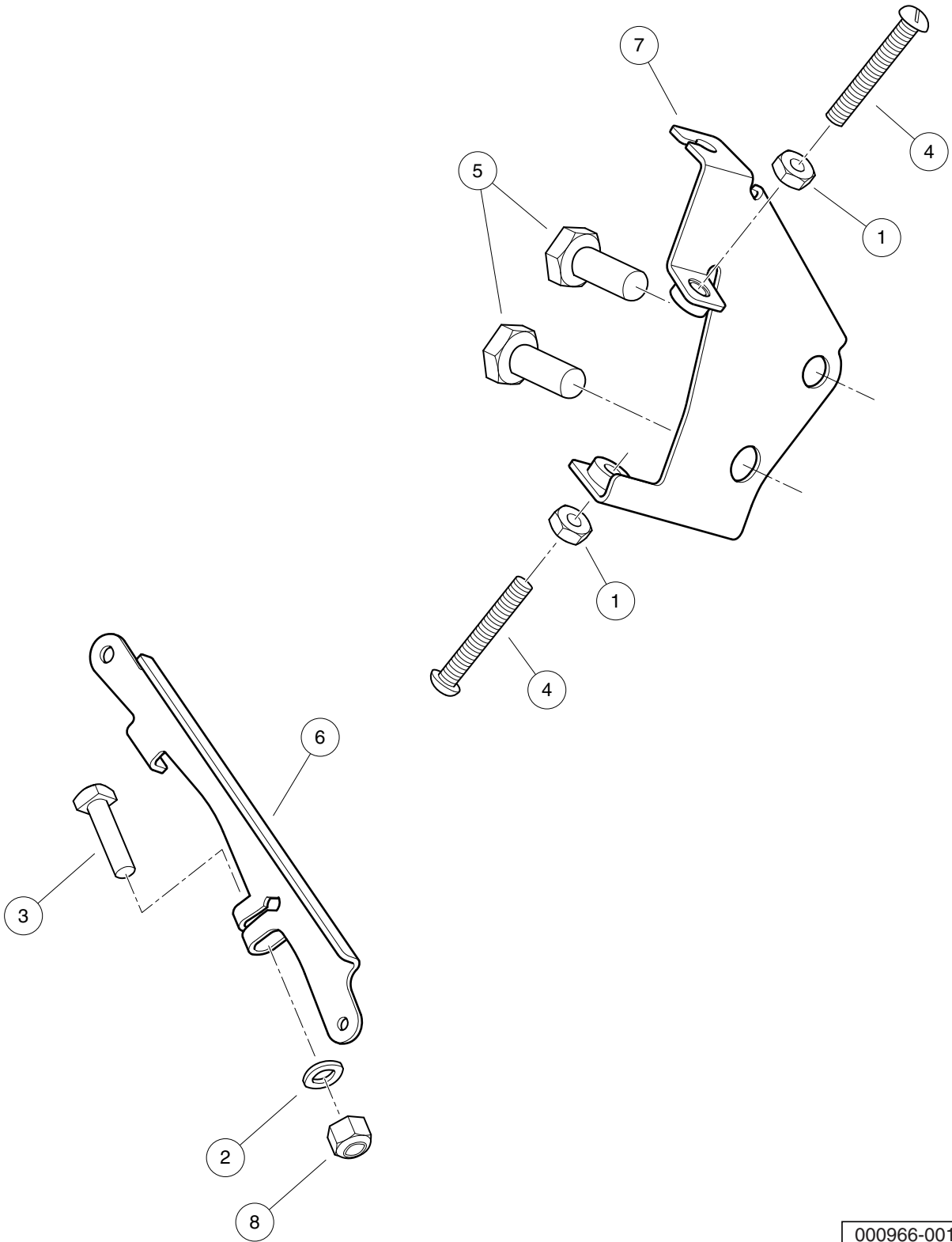
000965-003

SHIFT LEVER AND BRACKET – PEDAL-START ENGINES

ITEM	PART NO.	DESCRIPTION	QTY
		1 2 3 4	
1	101862001	Screw, 1/4-20 X 1.500 Flange	1
2	102498201	Bolt, M10 X 1.25 X 25, Loctite	2
3	105040901	Lever, Shift, Flex, Transaxle, Pedal-Start	1
4	105135101	Bracket, Cable, FNR/Accelerator, ED65	1
5	332	Washer, 1/4 Type A Narrow Flat	1
6	8233	Locknut, 1/4-20, Nylon Insert	1

13

G



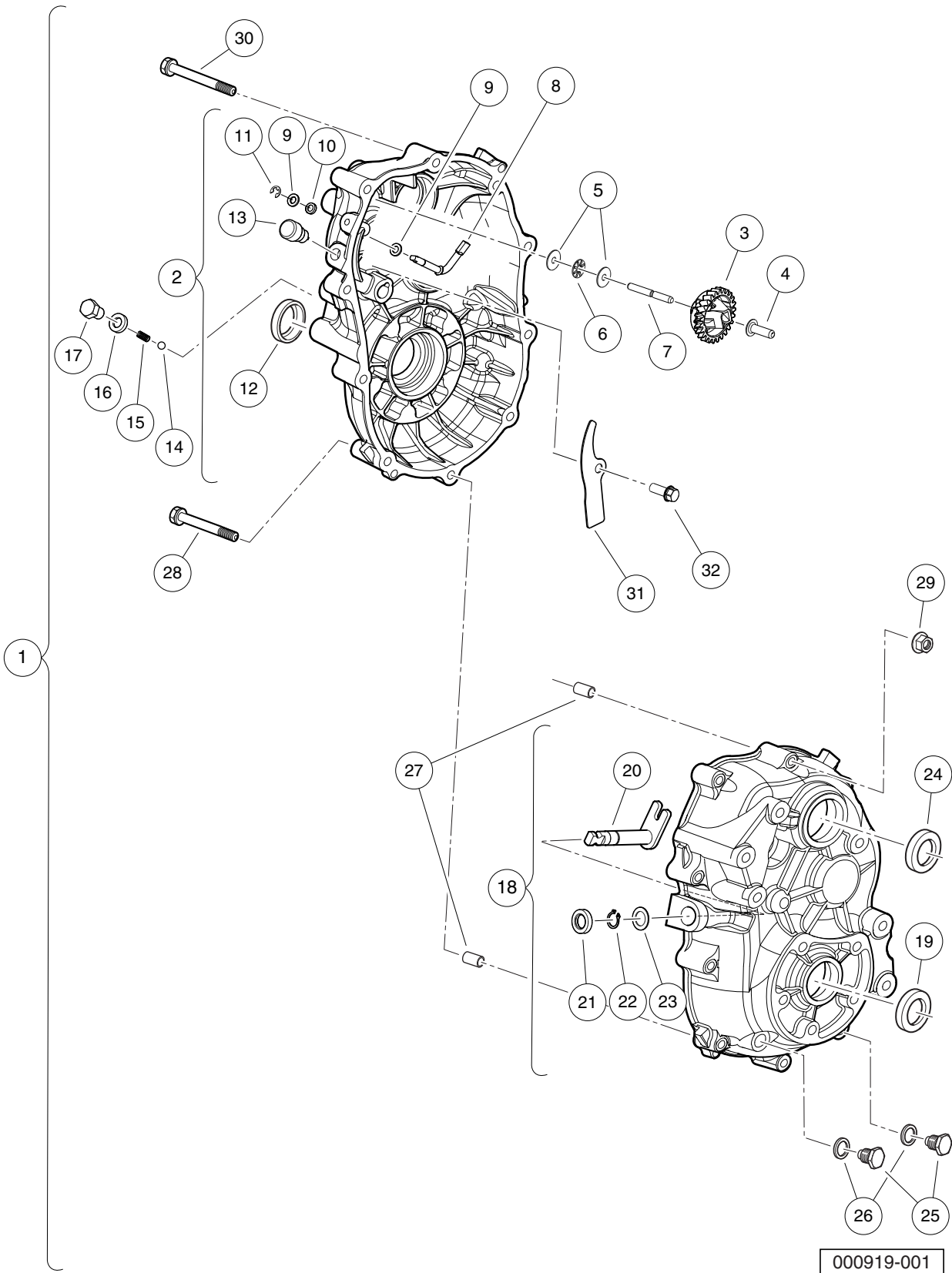
000966-001

GOVERNOR ARM AND BRACKETS

13

G

ITEM	PART NO.	DESCRIPTION	QTY
		1 2 3 4	
1	1011114	Nut, M6-1.00 Hex	2
2	1014007	Washer, 1/4, Flat	1
3	101886101	Screw, 1/4-20 X 1.00, Square-Head	1
4	102476401	Bolt, Stop, Pedal	2
5	102498201	Bolt, M10 X 1.25 X 25, Loctite	2
6	104023501	Arm, Governor, ED65	1
7	105144401	Weldment, Governor Bracket	1
8	8233	Locknut, 1/4-20, Nylon Insert	1



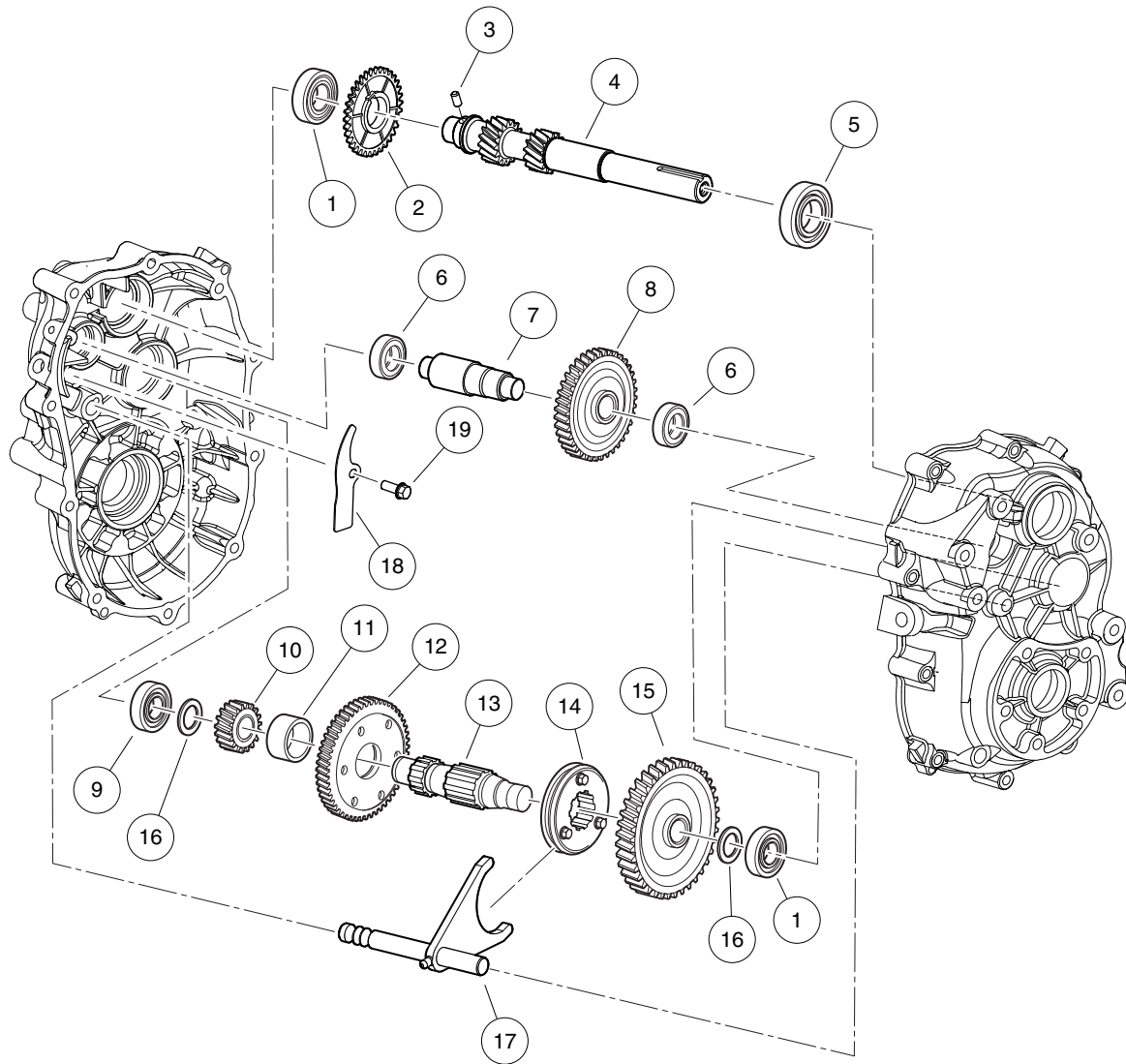
000919-001

TRANSAXLE (ED65), OPEN – PAGE 1 OF 3

ITEM	PART NO.	DESCRIPTION	QTY
		1 2 3 4	
1	103879701	Transaxle, ED65, Open Differential (includes items 2 through 32)	1
2	105025001	Case, Transaxle, Left, Complete, ED65 (includes items 3 through 13)	1
3	105025101	Gear, Governor, Complete, ED65	1
4	105025201	Sleeve, Governor, ED65	1
5	105025301	Washer, ED65	2
6	105025401	Bearing, Thrust, ED65	1
7	105025501	Shaft, Governor Gear, ED65	1
8	105025601	Shaft, Governor, ED65	1
9	105025701	Washer, 6mm, ED65	2
10	105025801	Seal, Oil, 6x10x2.5, ED65	1
11	105025901	Retaining Ring, E5, ED65	1
12	105026001	Seal, Oil, 24x40x9, ED65	1
13	105027101	Vent, Breather, ED65	1
14	105026101	Ball, Steel, ED65	1
15	105026201	Spring, ED65	1
16	105026301	Gasket, 10, ED65	1
17	105026401	Bolt, M10-1.25x12mm Lg, ED65	1
18	105026501	Case, Transaxle, Right, Complete, ED65 (includes items 19 through 24)	1
19	105026001	Seal, Oil, 24x40x9, ED65	1
20	105026601	Shaft, Select, ED65	1
21	105026701	Seal, Oil, 13x22x5, ED65	1
22	105026801	Snap Ring, 13mm, ED65	1
23	105026901	Spacer, 13x1, ED65	1
24	105027001	Seal, Oil, 25x45x7, ED65	1
25	105027201	Plug, Oil Drain, ED65	2
26	105027301	Gasket, 14, ED65	2
27	105028301	Pin, Guide, ED65	2
28	105028501	Bolt, Flange, M8-1.25x65mm, ED65	1
29	105030001	Nut, Flange, M8-1.25, ED65	10
30	105030701	Bolt, Flanged, M8-1.25x80mm, ED65	9
31	105234801	Plate, Ed65 Splash	1
32	105234901	Bolt, M6-1 X 12mm Lg, Ed65	1
<p>Note: Fuji transaxle component listings span three pages. To identify your transaxle, locate the serial number decal on the axle tube.</p>			

13

G



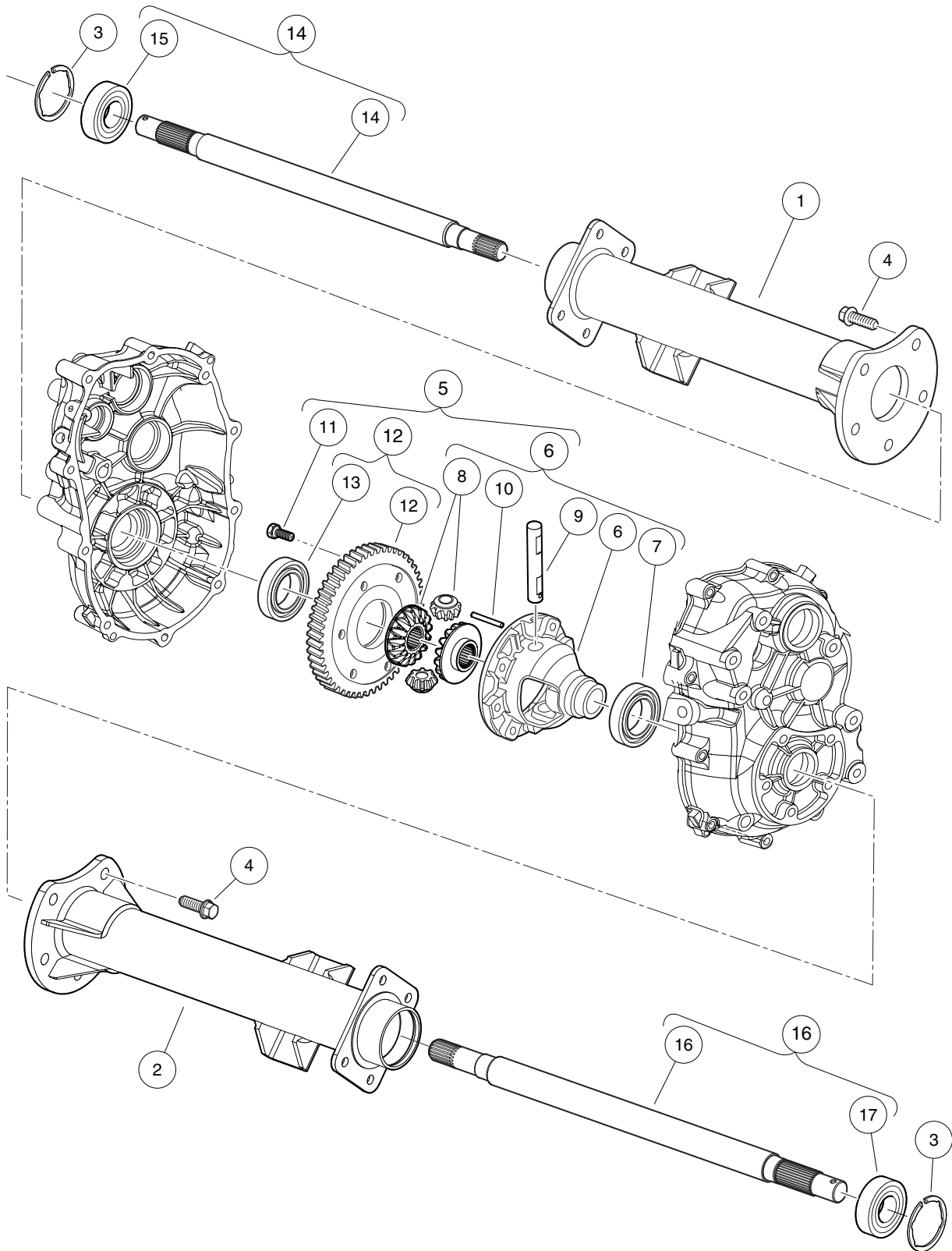
000919-007

TRANSAXLE (ED65), LIMITED SLIP AND OPEN – PAGE 2 OF 3

ITEM	PART NO.	DESCRIPTION	QTY
		1 2 3 4	
1	105027401	Bearing, Ball (6204)	2
2	105027501	Gear, Governor, 34 Tooth, ED65	1
3	105027601	Pin, 6x12 Long, ED65	1
4	105027701	Shaft, Input, ED65	1
5	105027801	Bearing, Ball (6205 seal)	1
6	105027901	Bearing, Ball (6202)	2
7	105028001	Shaft, Counter, ED65	1
8	105028201	Gear, 34 Tooth, ED65	1
9	105028401	Bearing, Ball (6304)	1
10	105028601	Gear, 17 Tooth, ED65	1
11	105028701	Collar, 24 x 12, ED65	1
12	105028801	Gear, 52 Tooth, ED65	1
13	105028901	Shaft, Center, ED65	1
14	105029001	Clutch, Pin, ED65	1
15	105029101	Gear, 62 Tooth, ED65	1
16	105029201	Spacer, 20x2, ED65	2
17	105030901	Shaft, Shift, ED65	1
18	105234801	Plate, Ed65 Splash	1
19	105234901	Bolt, M6-1 X 12mm Lg, Ed65	1
		<p>Note: To identify your transaxle, locate the serial number decal on the axle tube.</p>	

13

G



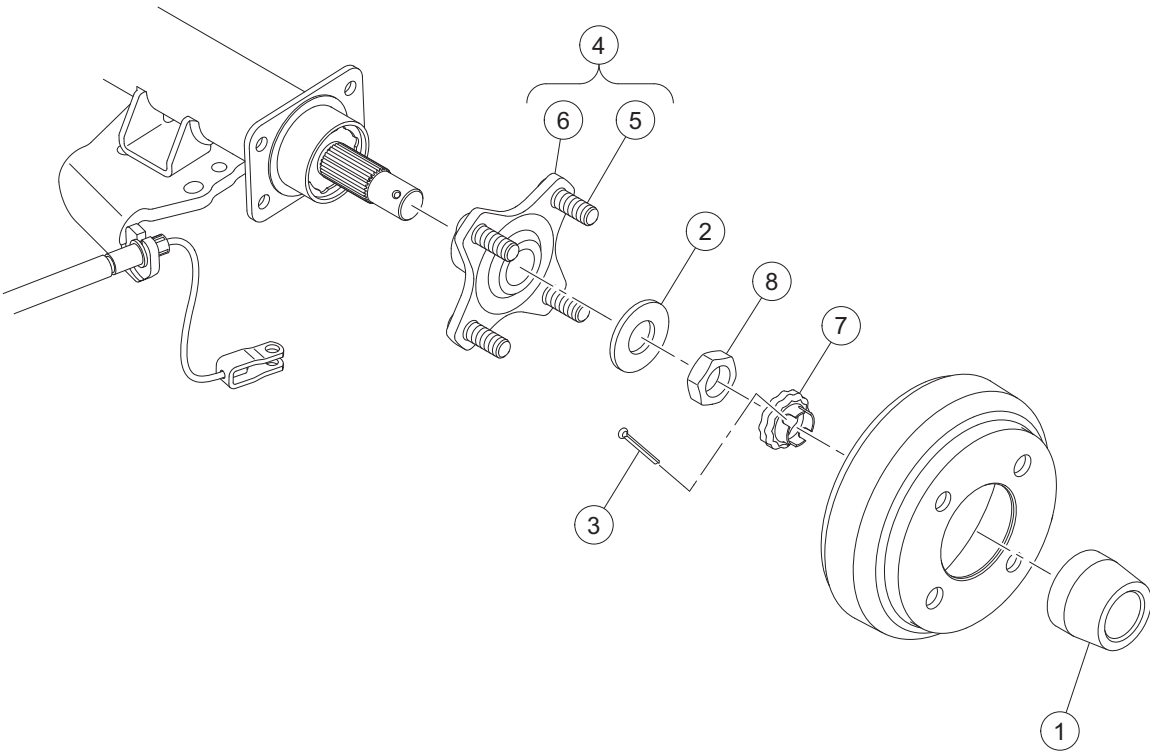
000919-004

TRANSAXLE (ED65), OPEN – PAGE 3 OF 3

ITEM	PART NO.	DESCRIPTION	QTY
		1 2 3 4	
1	105030401	Axle Tube, Driver-Side, ED65	1
2	105030501	Axle Tube, Passenger-Side, ED65	1
3	105030601	Snap Ring, 52mm, ED65	2
4	105030801	Bolt, Flange, M10-1.25x25, ED65	10
5	105031001	Differential, Open, ED65 (includes items 6 through 12)	1
6	105029301	Case, Differential, Complete, ED65 (includes items 7 through 10)	1
7	105028101	Bearing, Ball (6006)	1
8	105029401	Gear Set, Differential, ED65	1
9	105029601	Shaft, Differential, ED65	1
10	105029701	Pin, 4x40 Long, ED65	1
11	105029501	Bolt, M10-1.25x26mm Lg, ED65	6
12	105029901	Gear, 60 Tooth, Complete, ED65 (includes item 13)	1
13	105029801	Bearing, Ball (6007)	1
14	105066001	Axle Shaft, Driver-Side, Complete, ED65 (includes item 15)	1
15	105030301	Bearing, Ball (6205DD)	1
16	105066101	Axle Shaft, Passenger-Side, Complete, ED65 (includes item 17)	1
17	105030301	Bearing, Ball (6205DD)	1
<p style="margin-left: 40px;">Note: To identify your transaxle, locate the serial number decal on the axle tube.</p>			

13

G



G-070199-000003

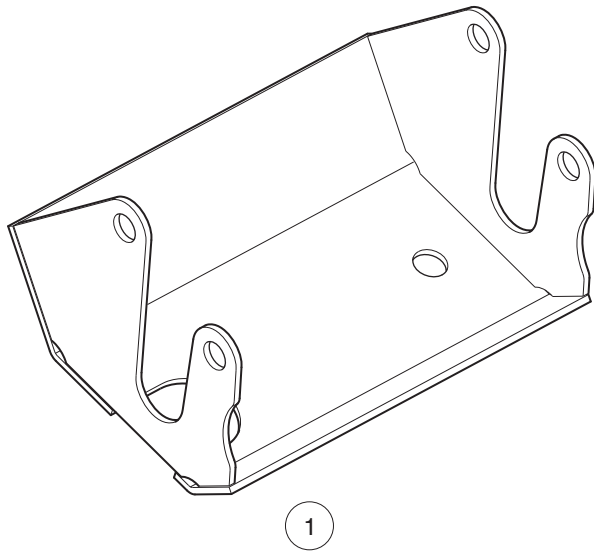
HUB, REAR

ITEM	PART NO.	DESCRIPTION	QTY
		1 2 3 4	
1	102274101	Center Cap, Rubber	2
2	102617801	Washer, Hard, M22	2
3	103989501	Pin, Cotter, 9/64 X 1.75"	2
4	103995001	Asm, Hub, Machined (includes items 5 and 6)	2
5	103951501	Lug Stud, 1/2-20 UNF, SAE J1102	4
6	103979301	Hub, Machined	1
7	104021701	Retaining Ring, Hex Nut, M22	2
8	104027101	Nut, Hex, M22x1.5, Thin	2

13
G

13

G



001436-001

DIFFERENTIAL GUARD, ED65 – GASOLINE VEHICLE

ITEM	PART NO.	DESCRIPTION	QTY
1	47662588001	1 2 3 4 Guard, Differential	1

13

G

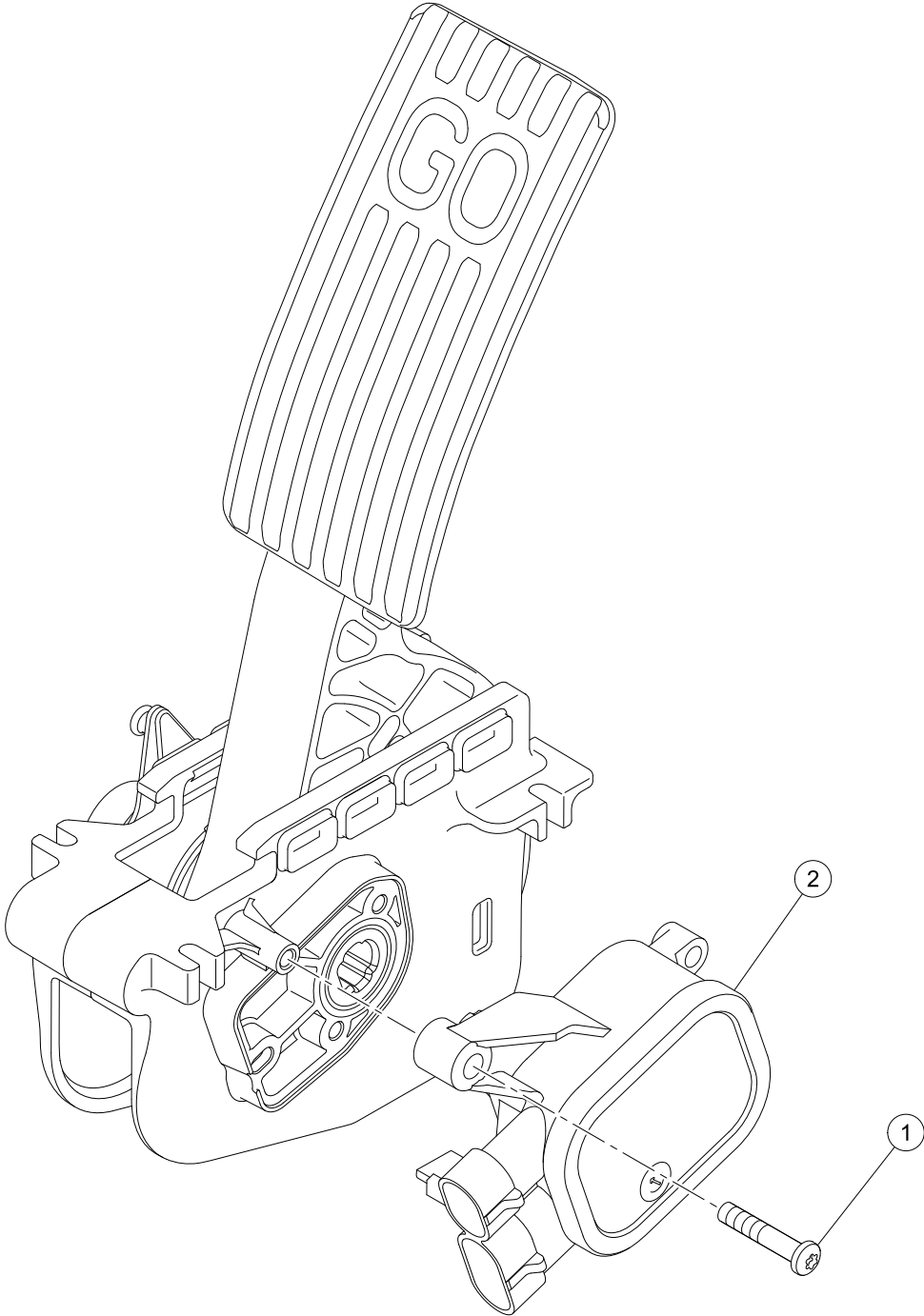
13

G

ELECTRICAL SYSTEM – EXCEL WITH HIGH FREQUENCY CHARGERS

14

E



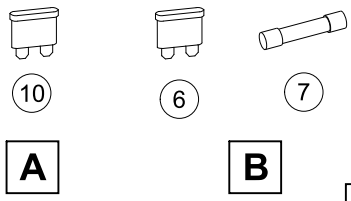
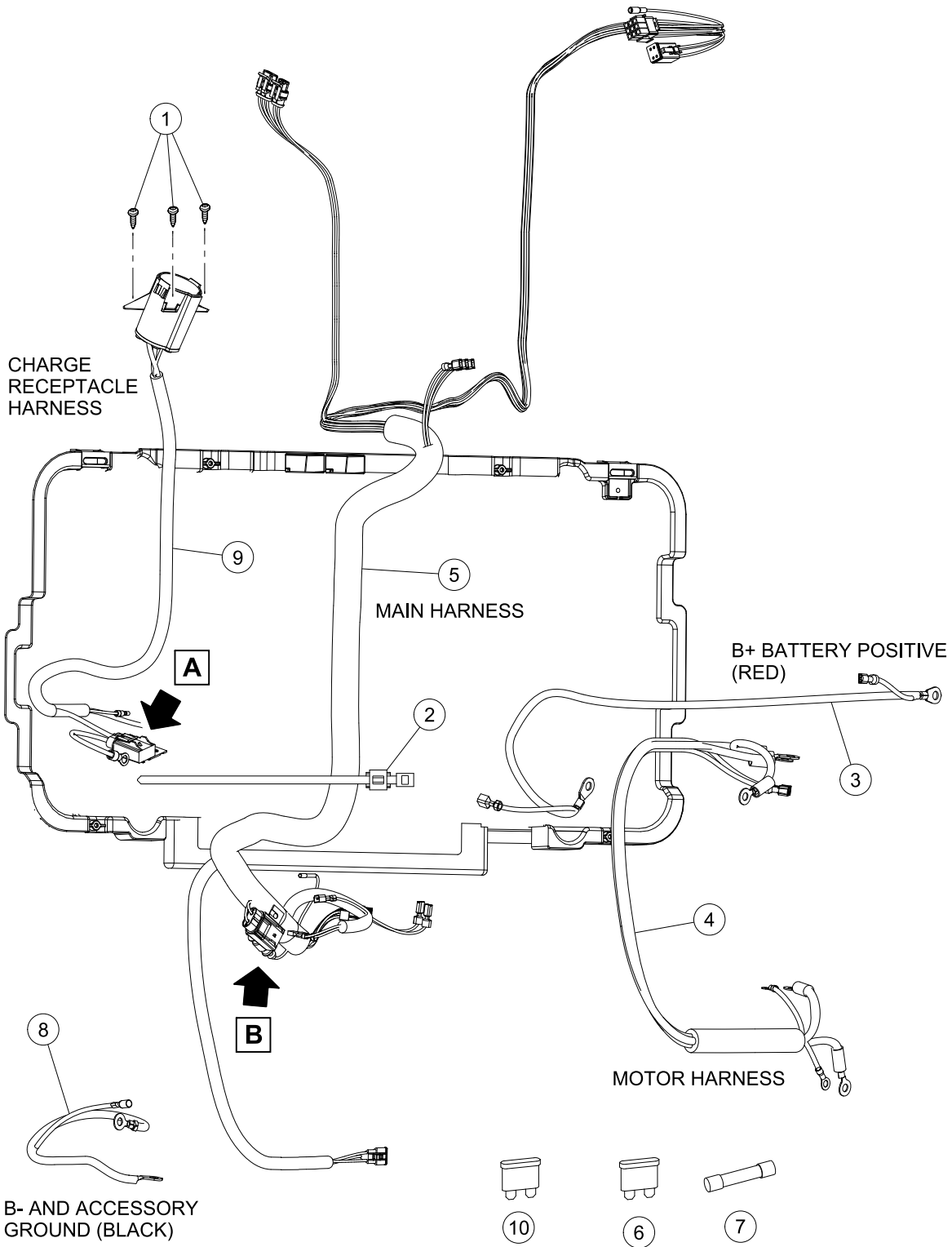
G-131199-000003

MOTOR CONTROLLER OUTPUT REGULATOR (MCOR)

ITEM	PART NO.	DESCRIPTION	QTY
1	103943401	1 2 3 4 Screw, Pan, #10 X 1.00 Hi-lo	1
2	105116301	MCOR4, Type 16 Switch	1

14

E



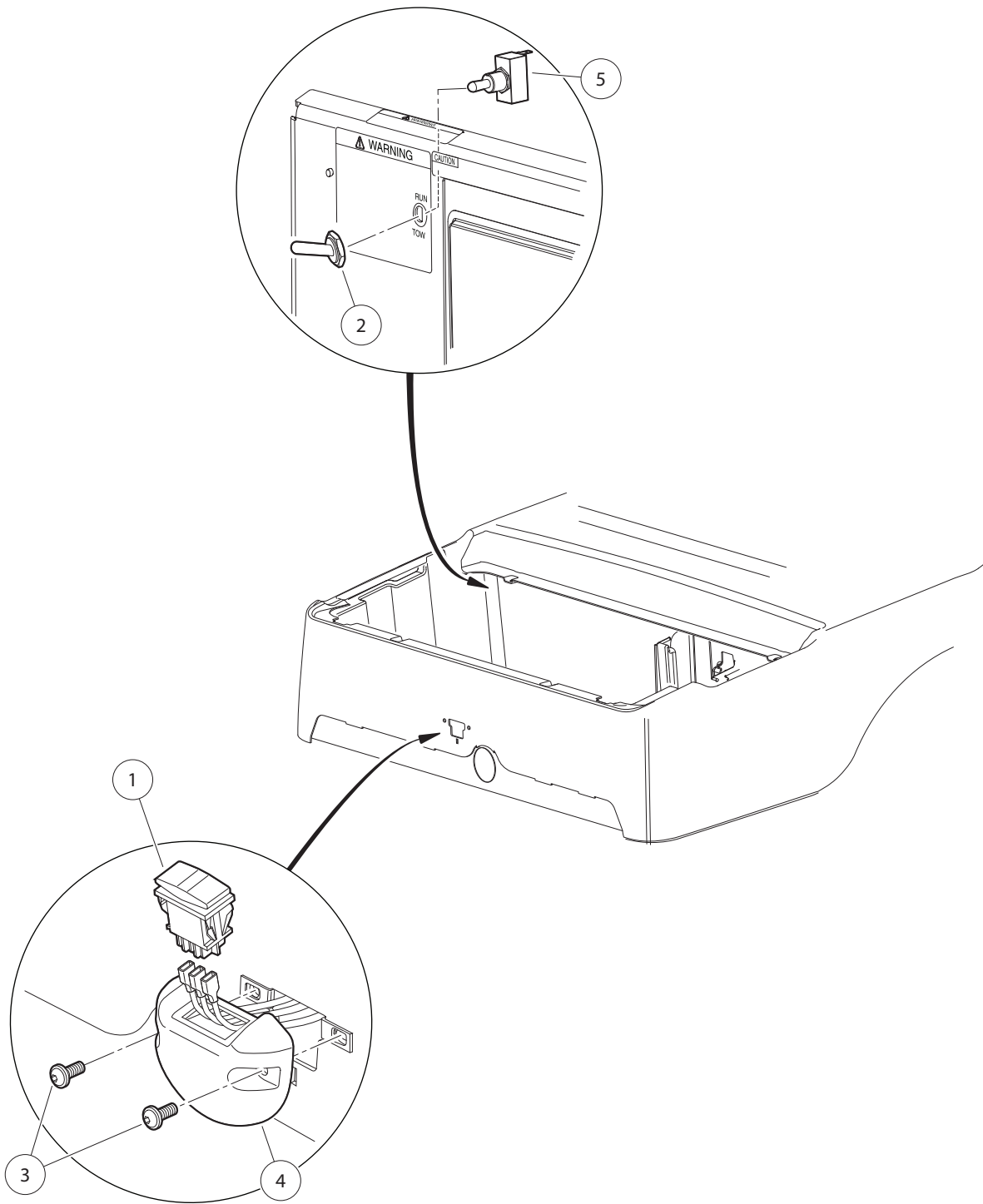
G-130499-000008

WIRING AND FUSES

ITEM	PART NO.	DESCRIPTION	QTY
		1 2 3 4	
1	101832001	Screw, #7-19 X 0.625 Phillips Pan-Head Tap	3
2	102554901	Clip, Edge, with Wire Tie	1
3	103375402	Asm, Wire, Battery Positive, B+, Short, 6 Awg	1
4	103375702	Asm, Harness, Motor 1/4	1
5	104023201	Harness, Main, Excel w/Hi-Freq, Mcor3 (includes items 6 and 7)	1
6	102538601	15 Amp Fuse	1
7	103924801	Fuse, Glass, 2-Amp	1
8	104024001	Asm, Wire, Battery Negative, B-, w/ Accy Ground, 6 Awg	1
9	105137401	Harness, Wire, Charger Receptacle (for Yellow DC Cord) (includes item 10)	1
10	102492301	Fuse, 30-Amp	1

14

E



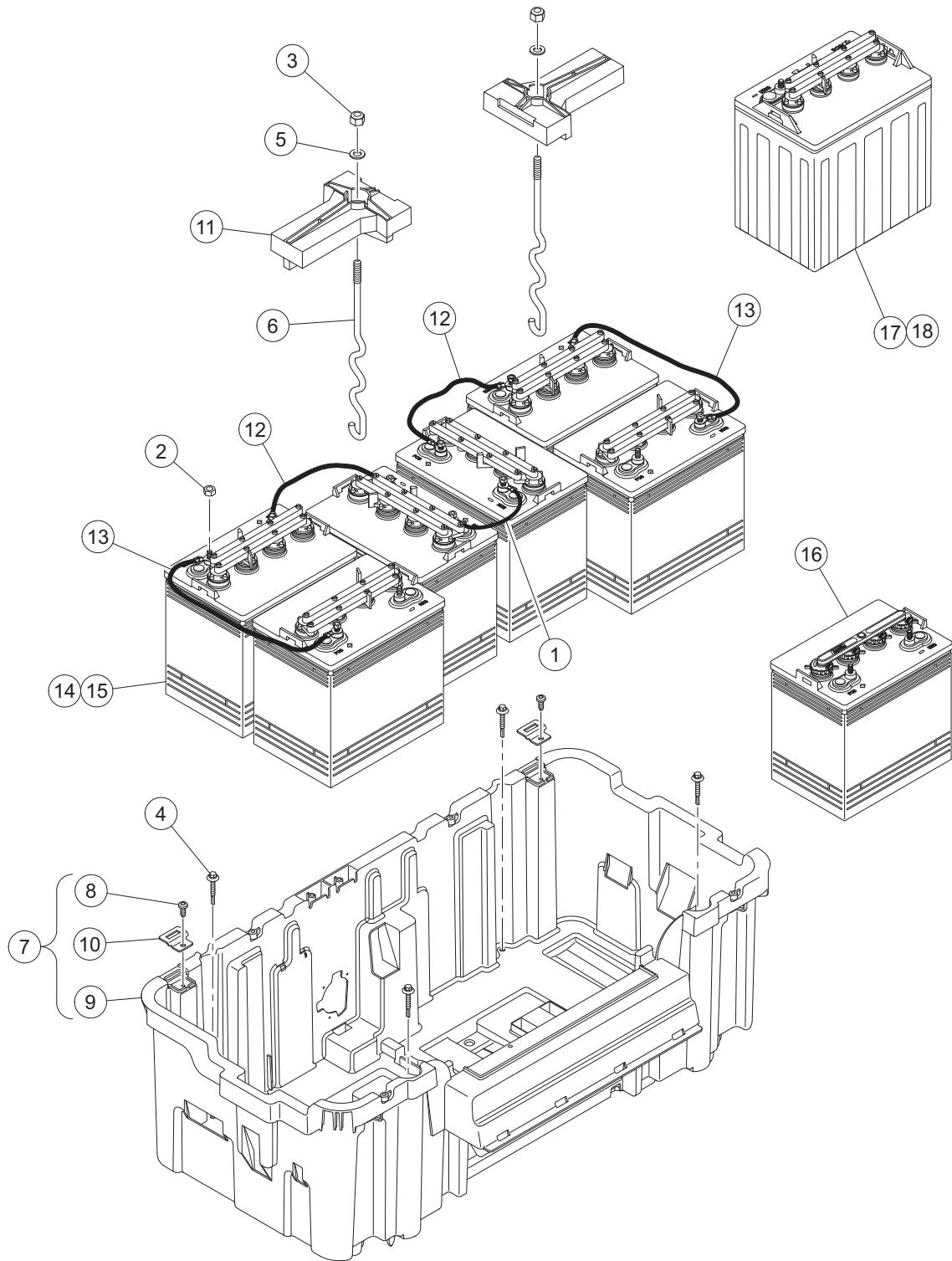
000462-004

FORWARD/REVERSE SWITCH AND TOW/RUN SWITCH

ITEM	PART NO.	DESCRIPTION	QTY
		1 2 3 4	
1	101856001	Switch, Rocker, Double-Pole	1
2	101908401	Boot, Switch	1
3	102296920	Screw, M6, Torx Button Head, Sems	2
4	102508401	Housing, FNR Electric	1
5	102511101	Switch, Tow/Run	1

14

E



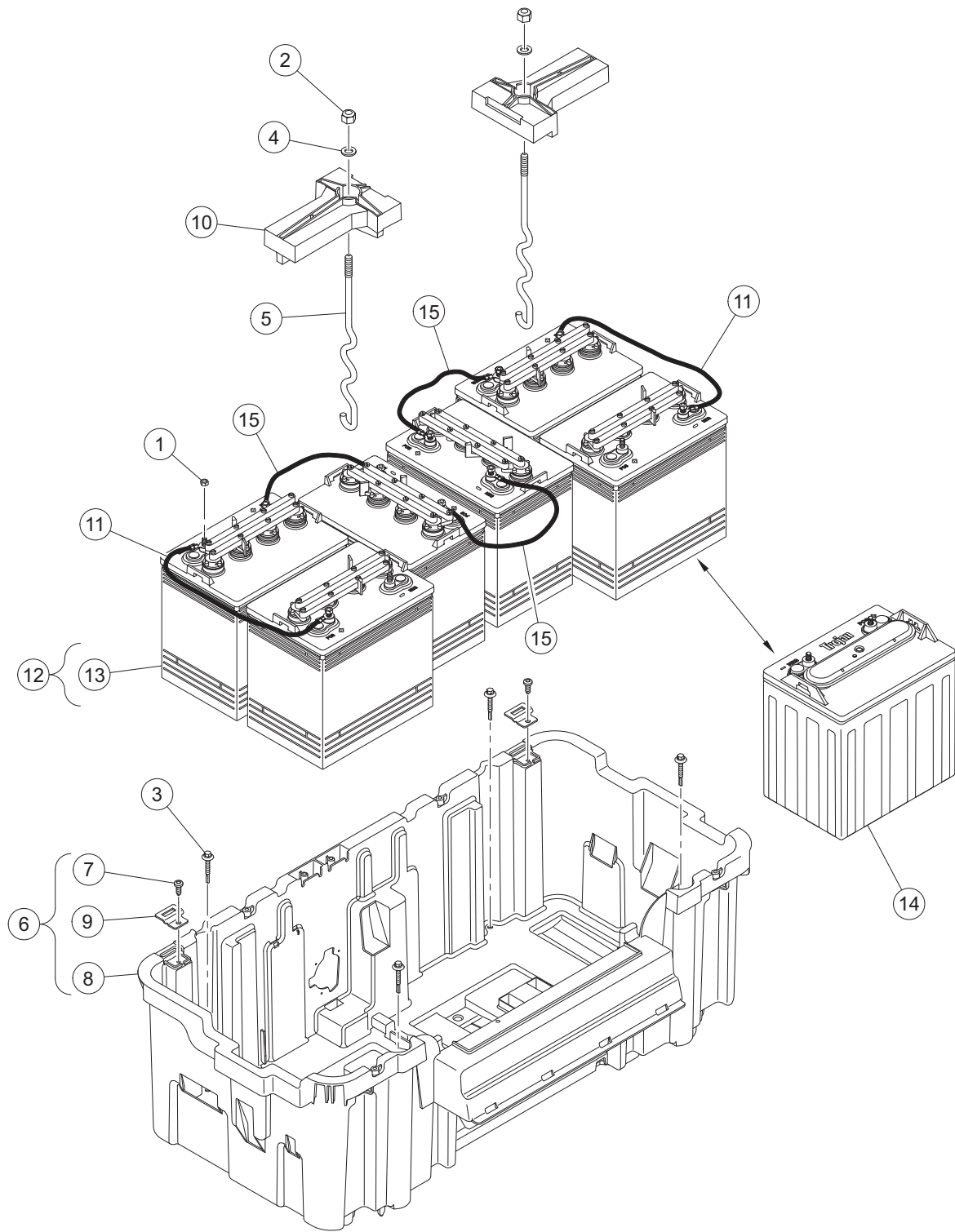
G-130799-000005

BATTERIES AND BATTERY BUCKET, NON-LIFTED

ITEM	PART NO.	DESCRIPTION	QTY
		1 2 3 4	
1	1010958	Asm, Wire, #6blk 8in	1
2	1014304	Nut, 5/16-18 Stainless-Steel Hex	12
3	1014555	Locknut, 7/16-14 Nylon Hex	2
4	102292356	Screw-1/4-20x56 Hwh Self Drill	4
5	102491501	Washer, Hard, M10	2
6	103357701	Bolt, Battery, "s" Hold-down	2
7	103368403	Asm, Bucket, Batt, Elec (includes items 8 through 10)	1
8	102298020	Screw, K80x20, Torx Pn Hd Pt	2
9	103350802	Bucket, Batt, Elec	1
10	103368301	Hinge - Nested	2
11	103374801	Hold Down, Battery	2
12	103647402	Wire Asm #6 Blk, 12"	2
13	103647403	Wire Asm #6 Blk, 17"	2
14	103793001	Battery, 8-Volt, JCI GC8 (includes item 15)	6
15	103765601	Cap, Spin, 8-Volt Battery	1
16	103793003	Battery, 8v, Gc8, Spws	6
17	103971798	Battery,8v Trojan T875,spws,sp (includes item 18)	6
18	47689303001	Cap,hydrolink,trojan,8v,svc	1
19	103971799	Battery,8v Trojan T875, Wet,sp	6
Note: Items 16 and 17 are for use with Single Point Watering System (SPWS)			

14

E



G-130799-000004

BATTERIES AND BATTERY BUCKET, LIFTED

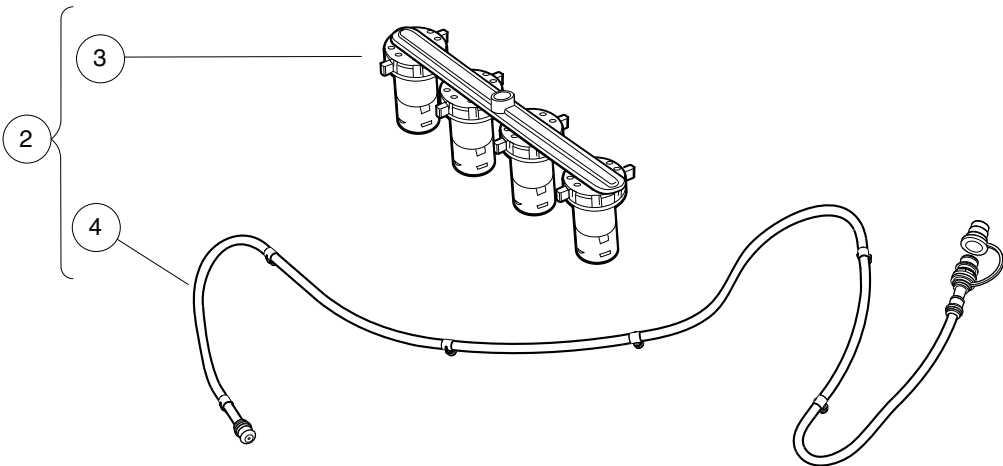
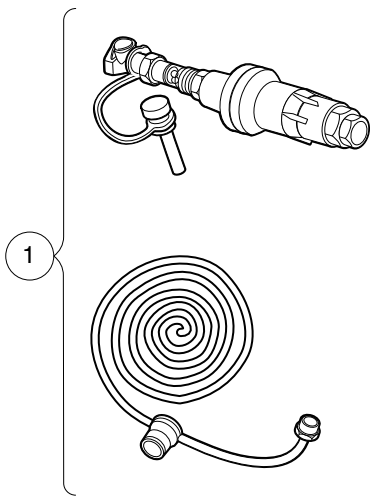
ITEM	PART NO.	DESCRIPTION	QTY
		1 2 3 4	
1	1014304	Nut, 5/16-18 Stainless-Steel Hex	12
2	1014555	Locknut, 7/16-14 Nylon Hex	2
3	102292356	Screw-1/4-20x56 Hwh Self Drill	4
4	102491501	Washer, Hard, M10	2
5	103357701	Bolt, Battery, "s" Hold-down	2
6	103368403	Asm, Bucket, Batt, Elec (includes items 7 through 9)	1
7	102298020	Screw, K80x20, Torx Pn Hd Pt	2
8	103350802	Bucket, Batt, Elec	1
9	103368301	Hinge - Nested	2
10	103374801	Hold Down, Battery	2
11	103508501	Asm, Wire #4 Blk, 13 In	2
12	103971798	Battery,8v Trojan T875,spws,sp (includes item 13)	6
13	47689303001	Cap,hydrolink,trojan,8v,svc	1
14	103971799	Battery,8v Trojan T875, Wet,sp	6
15	47677930001	Wire, Blk, 4 Ga, 10.50"	3
		<p>Note: Item 13 is for Single Point Watering Systems only. Item 14 is for non Single Point Watering Systems only.</p>	

14

E

14

E



000731-009

SINGLE POINT WATERING SYSTEM, 8V

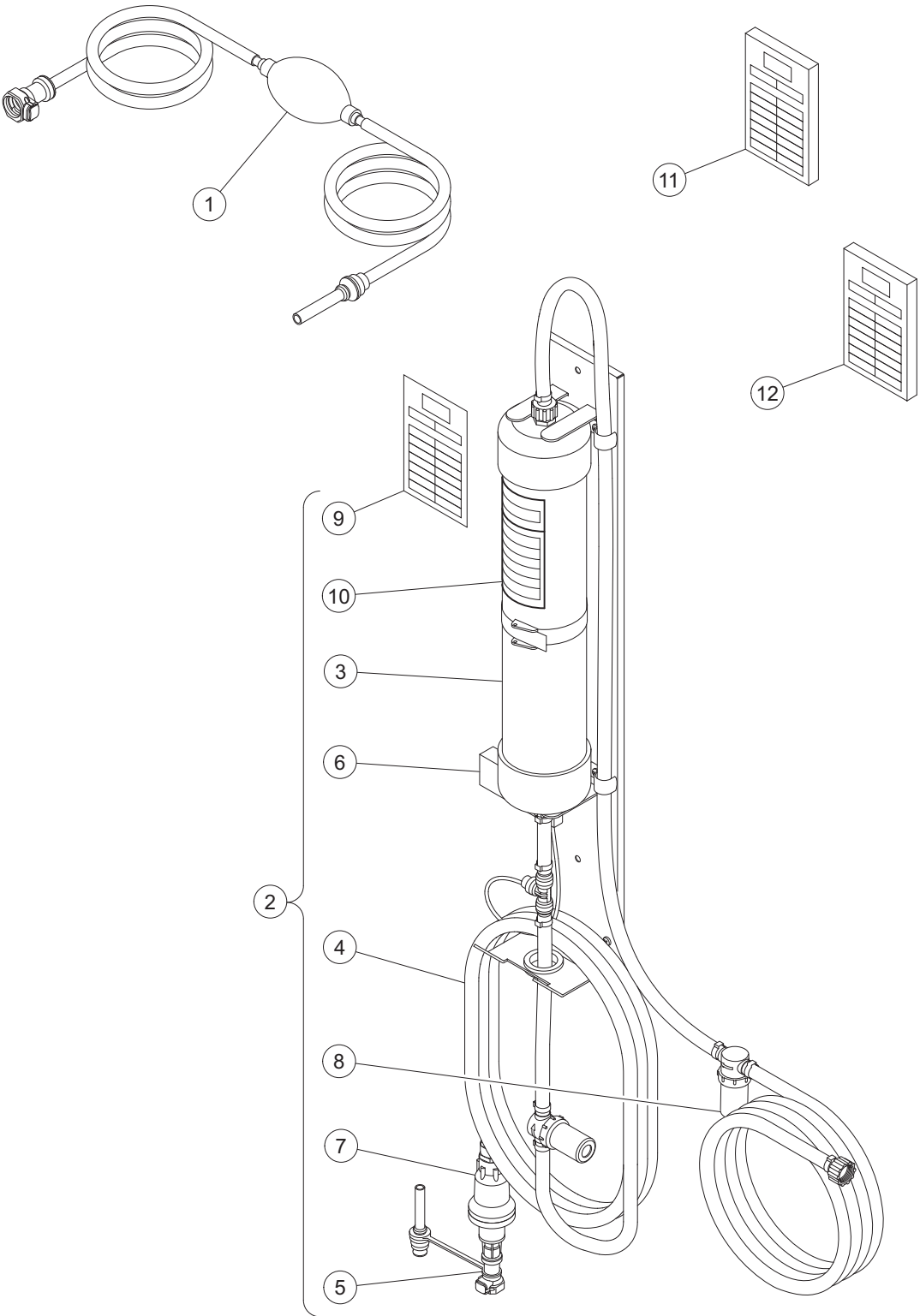
ITEM	PART NO.	DESCRIPTION	QTY
		1 2 3 4	
1	102958001	Kit Regulated Hose Sply Spws	1
2	103395505	Kit, Spws, 8 Volt Non-Trojan (includes items 3 and 4)	1
3	103510602	Spws, Manifold Asm, 8v Non-Trojan	6
4	103774701	Spws, Hose 8v Non-trojan	1
		Note: For JCI 8-Volt batteries only.	

14

E

14

E



002523-003

HAND PUMP AND DEIONIZER (BATTERY-POWERED QUALITY LIGHT)

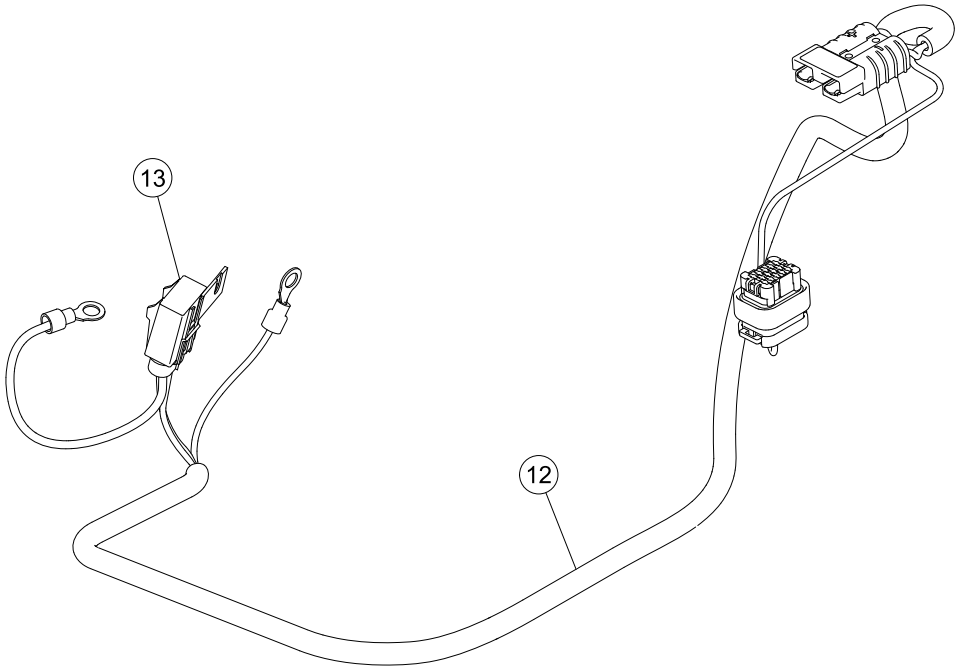
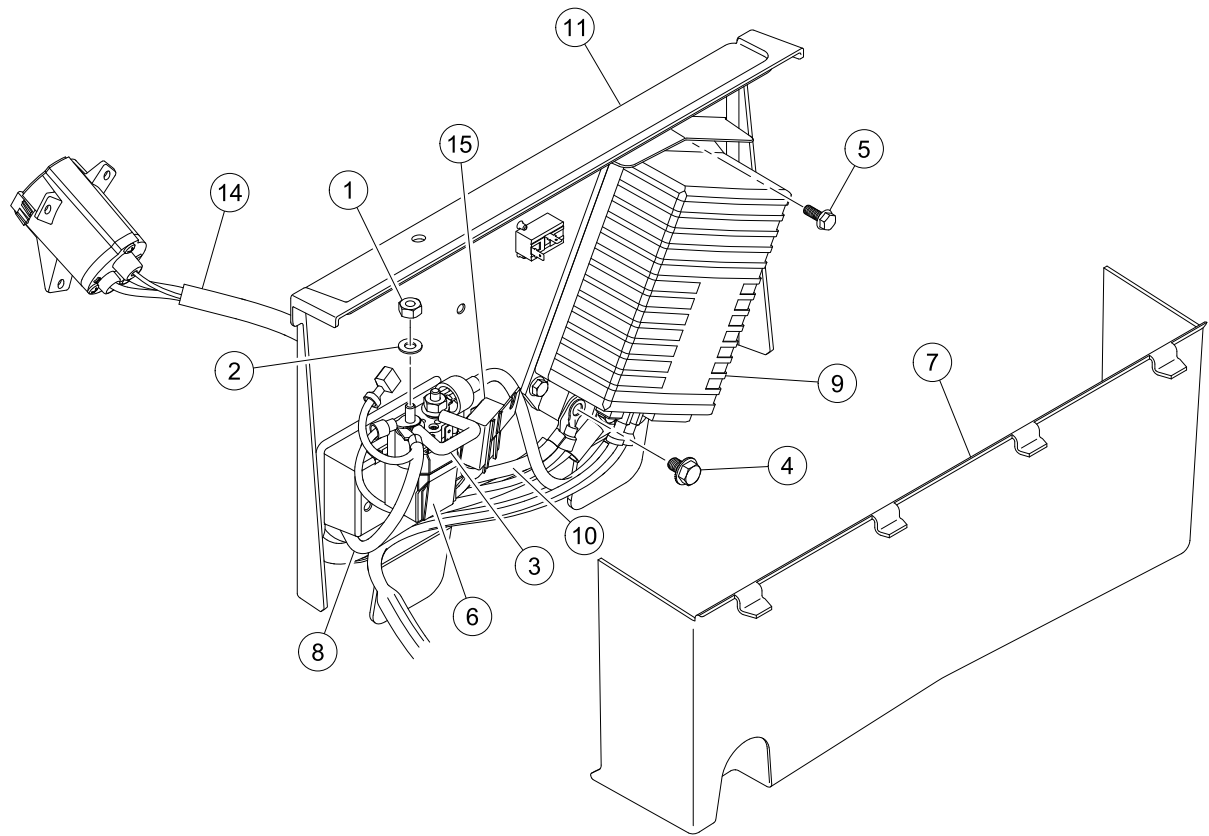
ITEM	PART NO.	DESCRIPTION	QTY
		1 2 3 4	
1	104006101	Kit, Hand Pump, Spws	1
2	105166801	Deionizer, w/Battery-Powered Water Quality Light (includes items 3 through 10)	1
3	104005901	Cartridge, Deionizer	1
4	105166901	Hose,outlet,deionizer	1
5	105167001	Flow Ind, W/coupler, Deionizer	1
6	105167101	Light, Quality, Battery-Powered, w/T-Fitting	1
7	105168501	Regulator, Pressure, Deionizer	1
8	105168601	Strainer, In-line, Deionizer	1
9	AM1300001	Decal, Filter Log, Blue	1
10	AM1300201	Decal, Inspect Log, Yellow	1
11	AM1300101	Decal, Filter Log, Blue, Pack of 100	A/R
12	AM1300301	Decal, Inspect Log, Yellow, Pack of 100	A/R

14

E

14

E



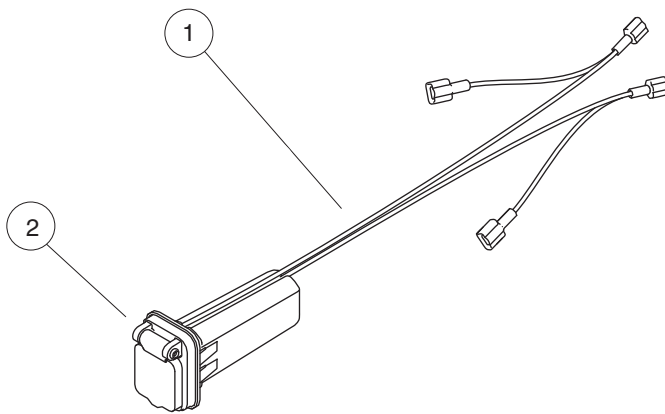
G-130499-000005

CONTROLLER, SOLENOID AND WIRING

ITEM	PART NO.	DESCRIPTION	QTY
		1 2 3 4	
1	1012528	Nut, M8-1.25 Hex	2
2	1013734	Lockwasher, 8mm Split	2
3	1014947	Resistor Assembly	1
4	102240501	Bolt, Controller, Terminal	3
5	102296716	Screw, M6 X 16 Tt Hx Fl Hd	3
6	102865901	Solenoid 48v Slot Mt No Diode	1
7	103367901	Shield - Controller	1
8	103375402	Asm, Wire, Battery Positive, B+, Short, 6 Awg	1
9	103982301	Controller, 1515, 250A, White	1
10	104024001	Asm, Wire, Battery Negative, B-, w/ Accy Ground, 6 Awg	1
11	105005001	Component Mounting Plate	1
12	105084301	Harness, Wire, High-Freq Onboard Charger, 4-Pass (includes item 13)	1
13	102492301	Fuse, 30-Amp	1
14	105137401	Harness, Wire, Charger Receptacle (for Yellow DC Cord) (includes item 15)	1
15	102492301	Fuse, 30-Amp	1
		Note: Item 12 is only applicable to four passenger vehicles with on-board chargers. Replacement solenoid may vary in appearance from the original.	

14

E



001286-002

USB PORT KIT FOR ELECTRIC VEHICLES

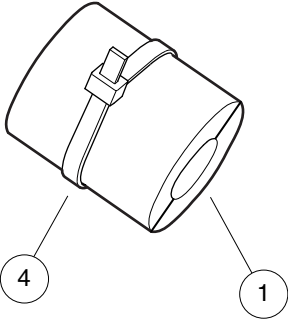
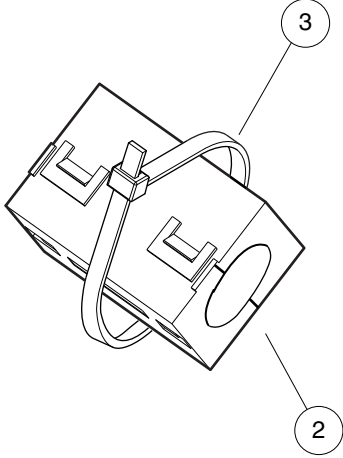
ITEM	PART NO.	DESCRIPTION	QTY
1	47604230001	1 2 3 4 Kit, USB, 48v (includes item 2)	1
2	47560030001	USB Port	1

14

E

14

E



001055-001

FERRITE BEADS, CE

ITEM	PART NO.	DESCRIPTION	QTY
		1 2 3 4	
1	103449501	Bead, Ferrite, Tdk	A/R
2	103449601	Bead, Ferrite, Fair-rite	A/R
3	8639	Tie Wrap, 11" Nylon	A/R
4	8990	Tie Wrap, 8" Nylon	A/R

14

E

14

E

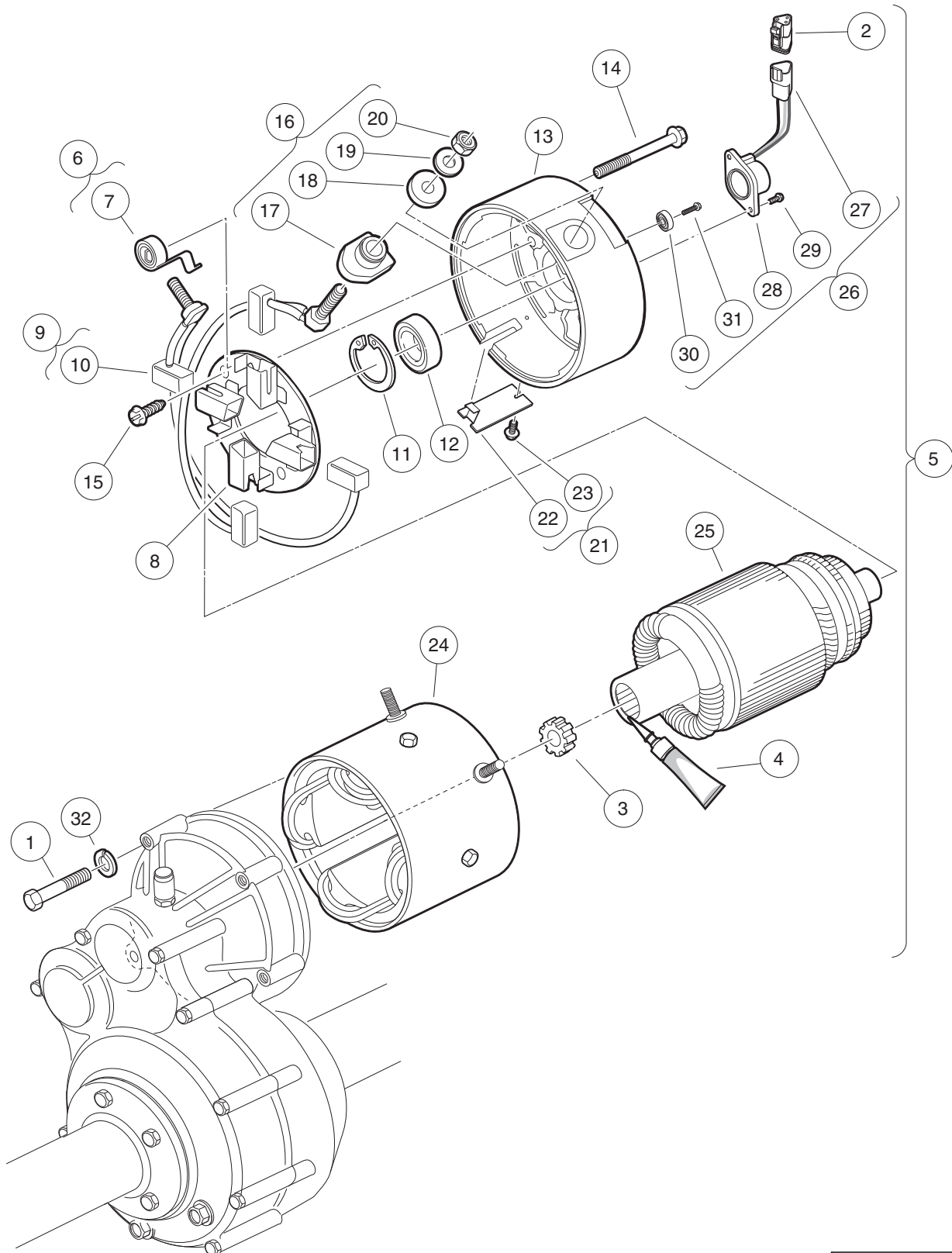
ELECTRIC MOTOR

15

E

15

E



000185-002

MOTOR (MODEL EJ8-4001A) – ELECTRIC VEHICLE

ITEM	PART NO.	DESCRIPTION	QTY
		1 2 3 4	
1	1014201	Screw, 1/4-20 X 2.25 Hex Cap	3
2	101920101	Kit, 3-Pin Wedge Lock	1
3	102235201	Bumper, Drive Unit	1
4	102243403	Lubricant, Moly-Teflon (Single-Use Tube)	1
5	103572501	IQ Electric Motor, 48-VDC 3.3 hp (includes items 6 through 26)	1
6	102186001	Spring Kit, Motor Brush (includes item 7)	1
7	N/A	Spring, Brush, S-g	4
8	102186101	Brush Box Assembly	1
9	102186201	Brush Kit, Motor (includes item 10)	1
10	N/A	Assembly, Brush and Terminal	2
11	N/A	Ring, 2.24" Internal Retaining	1
12	102186401	Bearing, Ball	1
13	102186701	End Cap, Motor	1
14	N/A	Screw, 1/4-20 X 2.25 Hex-Head Washer	2
15	102186901	Screw, #8-32 X .5 Hex-Head	2
16	102187101	Hardware Kit, Motor Terminal (includes items 17 through 20)	2
17	N/A	Insulator	2
18	N/A	Washer, Nylon Flat	2
19	N/A	Washer, Flat, 5/16 Steel	2
20	N/A	Nut, Brass Hex, 5/16 - 18	2
21	102187201	Plate Kit, Motor Cover (includes items 22 and 23)	1
22	N/A	Assembly, Cover Plate	1
23	N/A	Screw, #8-32 x 0.375, Taptite Thread	1
24	102704701	Frame and Field Assembly	1
25	102704801	Armature Assembly	1
26	102704901	Kit, Speed Sensor (includes items 27 through 31)	1
27	101942301	Kit, 3-Pin Wedge Lock	1
28	N/A	Sensor, Motor Speed, ADC	1
29	N/A	Screw, #8-32, Taptite Thread	2
30	N/A	Magnet, ADC Motor	1
31	N/A	Screw, 1/4-20 x 0.5	1
32	451	Lockwasher, 1/4 Split	3
Note: The F1 and F2 terminal posts on the EJ8-4001A motor have 1/4 - 20			

15

E

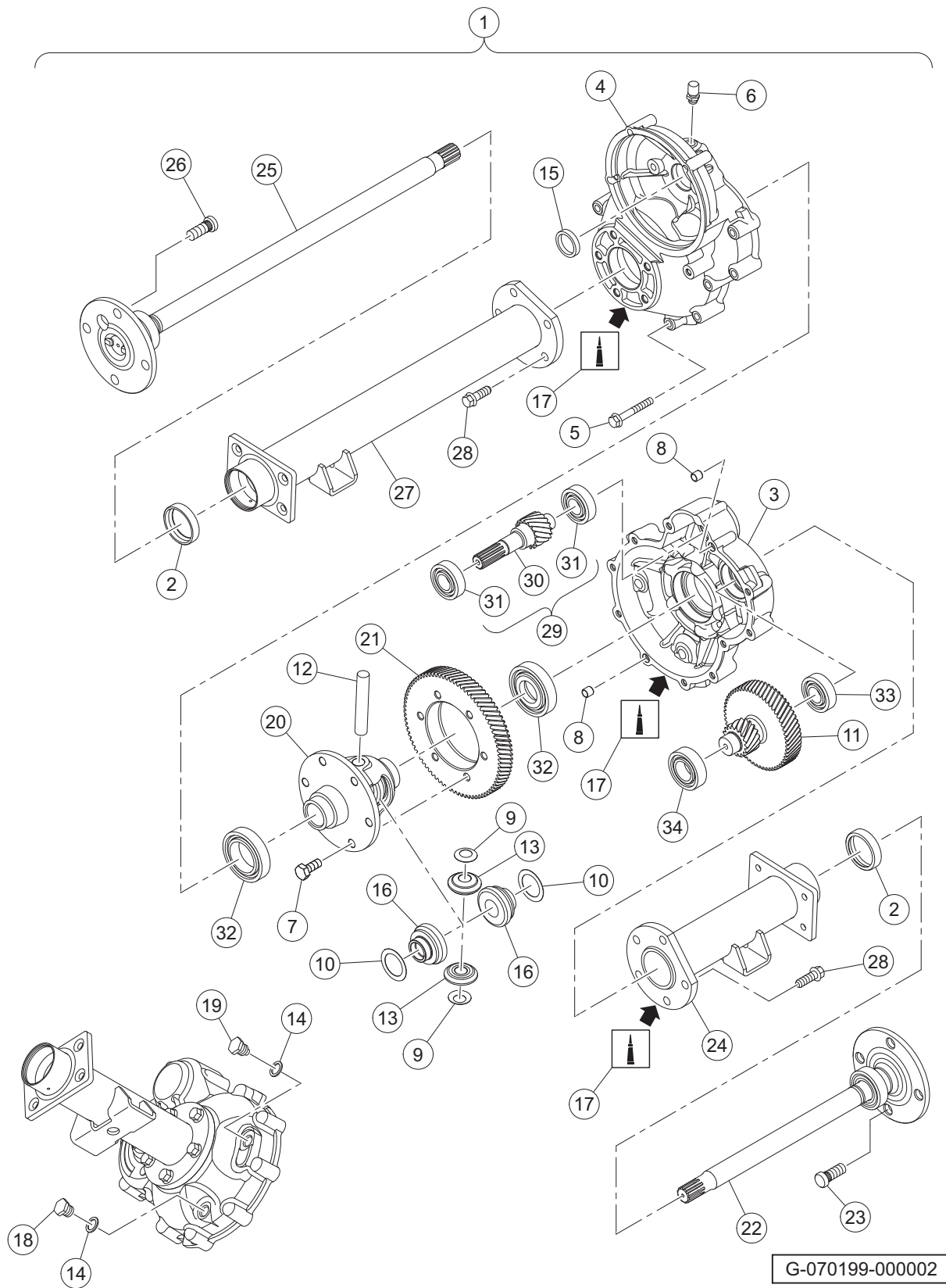
15

E

TRANSAXLE – ELECTRIC VEHICLES

16

E

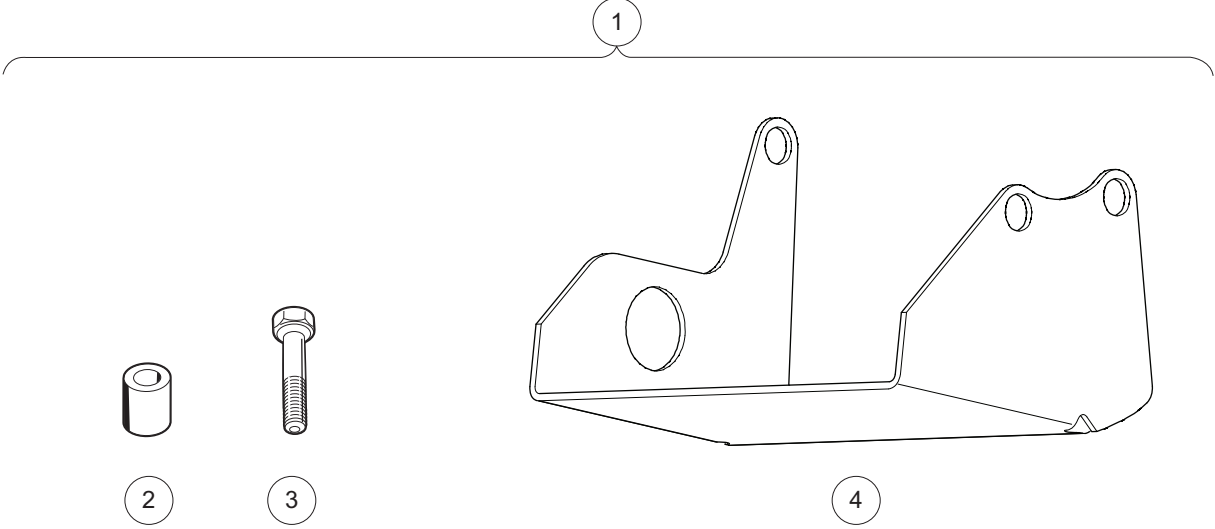


TRANSAXLE – ELECTRIC VEHICLES

ITEM	PART NO.	DESCRIPTION	QTY
		1 2 3 4	
1	102771701	Transaxle, Electric (includes items 2 through 34)	1
2	1013794	Axle Shaft Oil Seal	2
3	101895401	Gear Case, Driver-Side	1
4	101895501	Gear Case, Passenger-Side	1
5	101897001	Screw, M8-1.25 X 60mm Hex-Head	11
6	101897201	Breather	1
7	101897401	Screw, M10-1.25 X 25mm	6
8	101897601	Pin, 11mm OD X 8.5mm ID X 10mm	2
9	101903601	Washer, Thrust	2
10	101903701	Washer, Thrust	2
11	101906901	Intermediate Shaft Assembly	1
12	101922101	Pin, 15.99mm X 88.7mm Dowel	1
13	101923001	Gear, Differential Idler	2
14	101923201	Gasket	2
15	101923501	Seal, Lip	1
16	101923901	Gear, Differential	2
17	101928701	Liquid Gasket (Transaxle case)	1
18	101972101	Plug, M14-1.5 X 12mm Magnetic	1
19	101972201	Plug, M14-1.5 X 12mm Hex	1
20	102356601	Housing, Differential, 6 Bolt	6
21	102356801	Gear, Differential Output, 6-Bolt	6
22	102886301	Axle Assembly, Driver-Side (includes item 23)	1
23	101922201	Lug Stud	4
24	102886401	Tube, Axle, Driver-Side	1
25	102886501	Axle Assembly, Passenger-Side (includes item 26)	1
26	101922201	Lug Stud	4
27	102886601	Tube, Axle, Passenger-Side	1
28	102902801	Screw, M10 X 30	10
29	103582801	Asm, E Trans Shaft/bearing (includes items 30 and 31)	1
30	N/A	Shaft, Input	1
31	7335	Bearing	2
32	7330	Inner Axle Tube Bearing	2
33	7335	Bearing	1
34	7336	Bearing	1
Note: Item 34 bearing OD is 2.047 inches (52 mm). Item 33 bearing OD is 1.850 inches (47 mm).			

16

E



000365-002

DIFFERENTIAL GUARD – ELECTRIC VEHICLES

ITEM	PART NO.	DESCRIPTION	QTY
		1 2 3 4	
1	101611402	Kit, Differential Guard, Elec Vehicles (includes items 2 through 4)	1
2	101914001	Spacer, Steel	2
3	101936101	Screw, M10-1.50 X 60mm Hex Cap	2
4	101978601	Guard, Differential, Electric Vehicle Transaxle	1

16

E

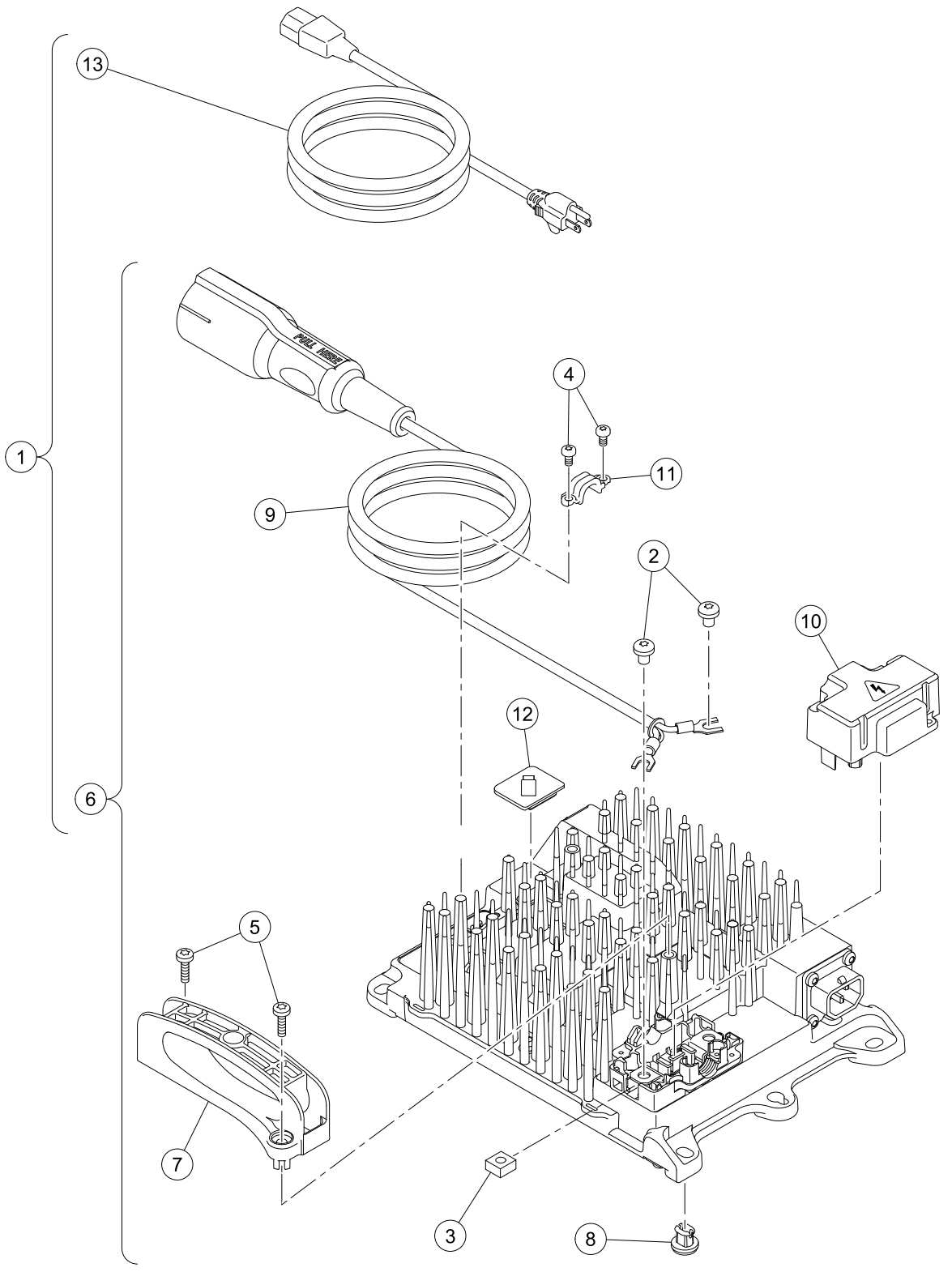
16

E

BATTERY CHARGERS – HIGH-FREQUENCY

17

E



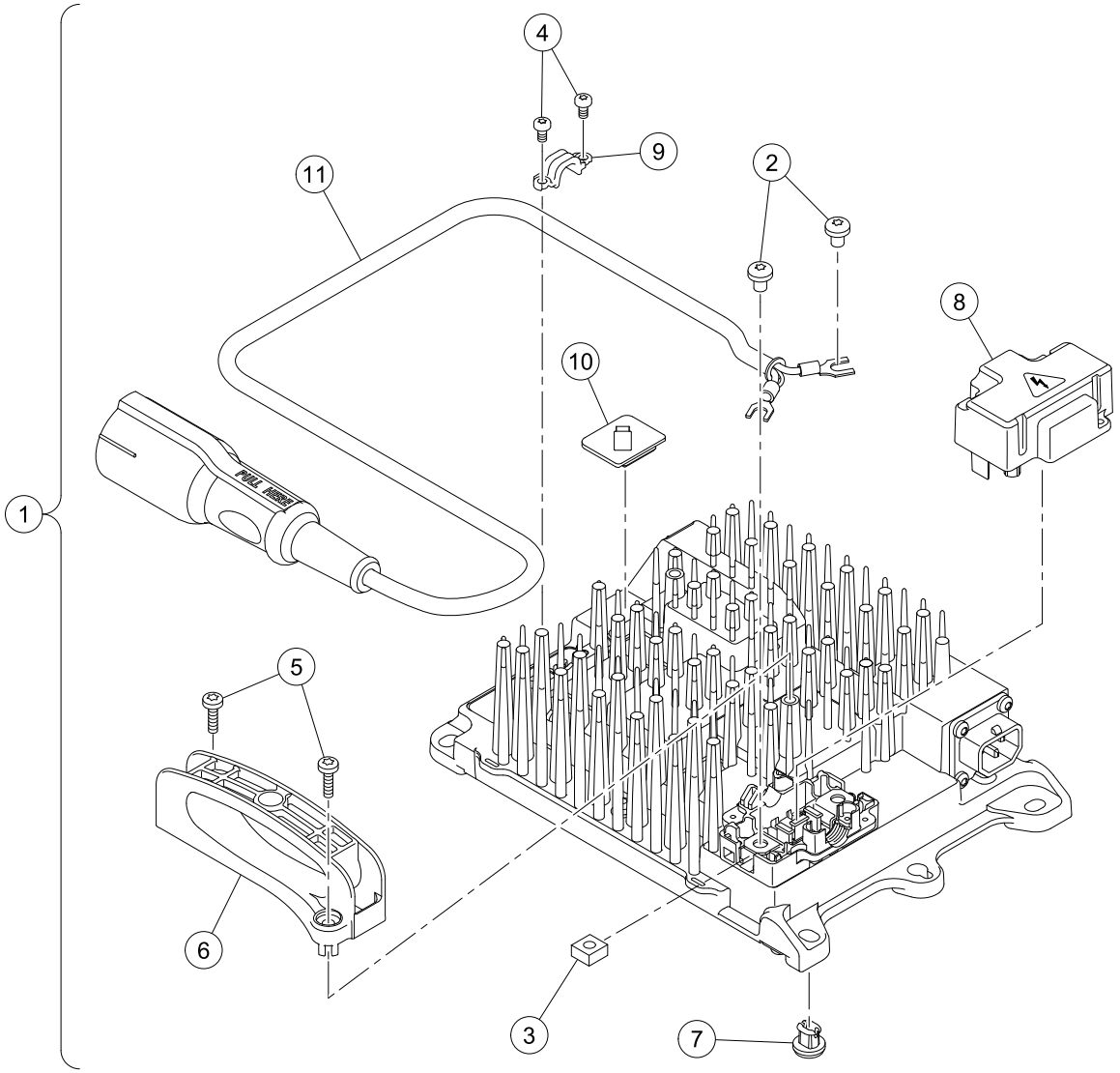
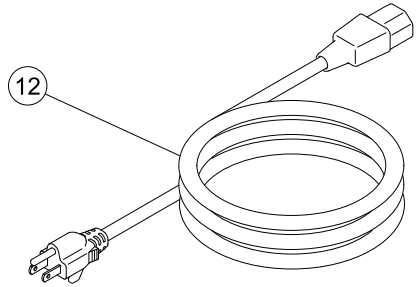
G-130899-000011

JCI BATTERY CHARGER, HIGH-FREQUENCY – U.S./CANADA

ITEM	PART NO.	DESCRIPTION	QTY
		1 2 3 4	
1	105095201	Charger, High-Freq, Service, 9ft Yel DC, 6ft AC, US/Canada (includes items 2 through 12)	1
2	104024501	Screw, M6, Torx Head	2
3	104024601	Nut, M6, Square, Captured	2
4	104028901	Screw, M4 X .70, Pan Hd, Torx	2
5	104029001	Screw, M5 X .80, Pan Hd, Torx	2
6	104029601	Charger, Asm, High-Freq, 9ft (2.74 m) Yellow DC Cord	1
7	105003601	Handle, Charger, High-Freq	1
8	105003701	Foot, Charger, High-Freq	4
9	105070101	Cord, DC, Yellow, 9ft (2.74 m)	1
10	105092301	Cover, DC Terminal Block, High-Freq Charger	1
11	105093101	Strain Relief, High-Freq, External, Charger	1
12	105123801	Cover, USB	1
13	47606837002	Cord, Ac, lec320, 6Us'	1
<p>Note: This charger includes both an AC cord and DC cord. For additional cord lengths that may be used with this charger, see the Battery Charger Cords page.</p>			

17

E



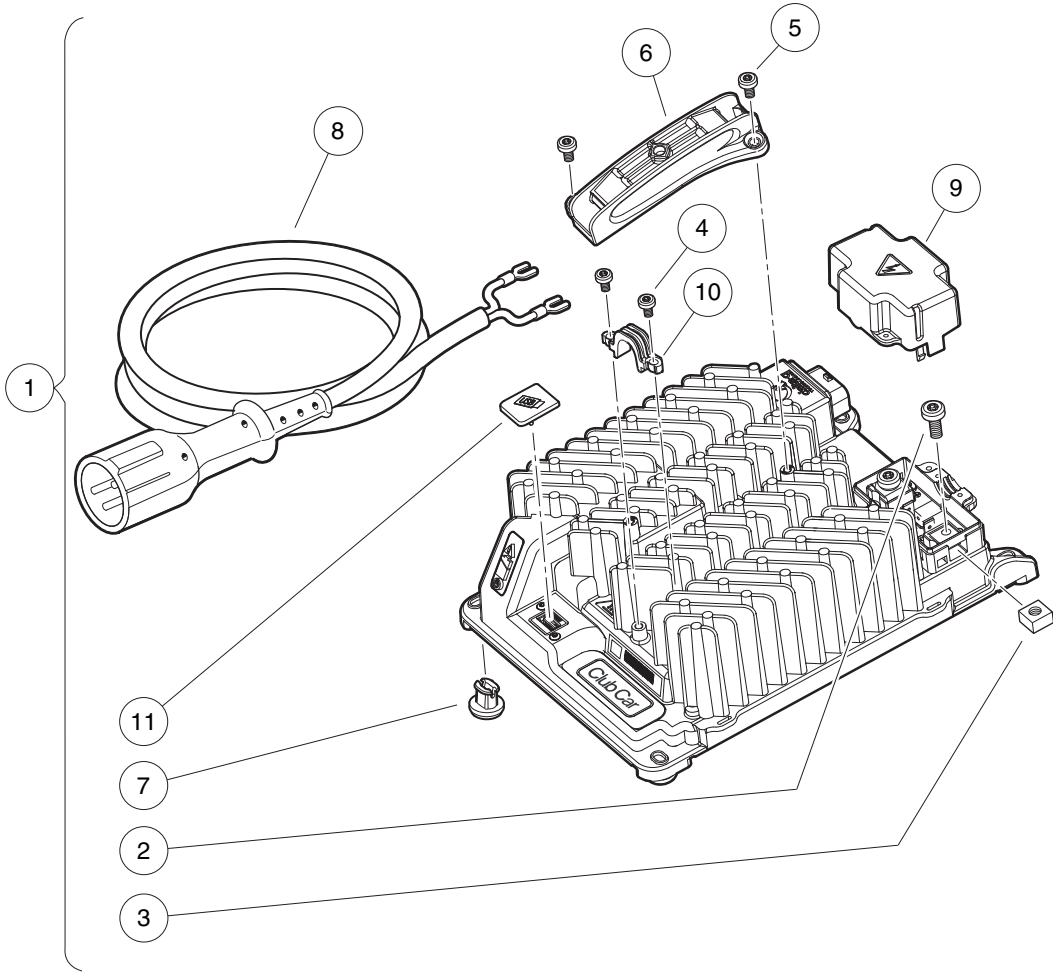
G-130899-000007

TROJAN BATTERY CHARGER, HIGH-FREQUENCY – U.S./CANADA

ITEM	PART NO.	DESCRIPTION	QTY
		1 2 3 4	
1	104029604	Charger, Asm, High-Freq, 9ft (2.74 m) DC Cord (includes items 2 through 11)	1
2	104024501	Screw, M6, Torx Head	2
3	104024601	Nut, M6, Square, Captured	2
4	104028901	Screw, M4 X .70, Pan Hd, Torx	2
5	104029001	Screw, M5 X .80, Pan Hd, Torx	2
6	105003601	Handle, Charger, High-Freq	1
7	105003701	Foot, Charger, High-Freq	4
8	105092301	Cover, DC Terminal Block, High-Freq Charger	1
9	105093101	Strain Relief, High-Freq, External, Charger	1
10	105123801	Cover, USB	1
11	47655301001	Harness, PWR, Charger, Blk, 9'	1
12	47606837002	Cord, Ac, lec320, 6Us'	1
<p>Note: This charger includes both an AC cord and DC cord. For additional cord lengths that may be used with this charger, see the Battery Charger Cords page.</p>			

17

E



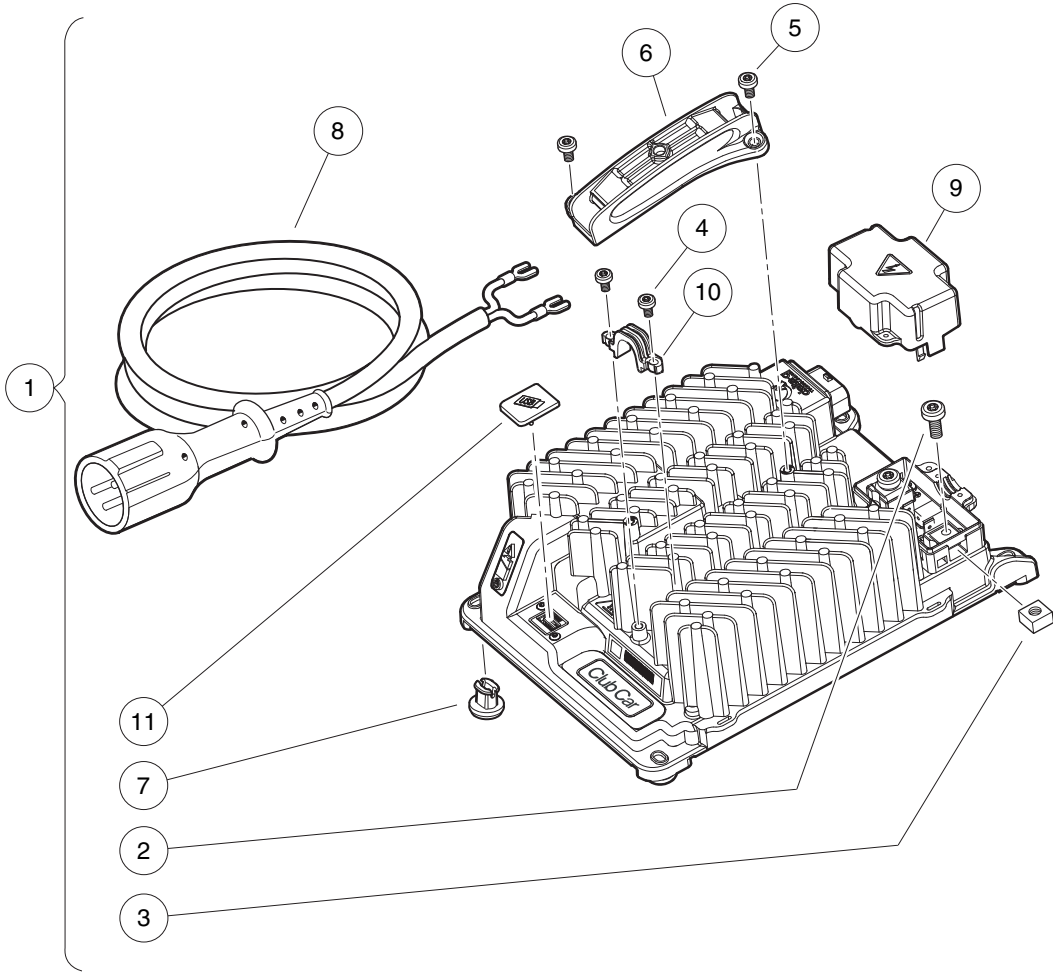
000610-003

BATTERY CHARGER, HIGH-FREQ., 2.74 M DC CORD – GLOBAL

ITEM	PART NO.	DESCRIPTION	QTY
		1 2 3 4	
1	104029601	Charger, Asm, High-Freq, 9ft (2.74 m) Yellow DC Cord (includes items 2 through 11)	1
2	104024501	Screw, M6, Torx Head	2
3	104024601	Nut, M6, Square, Captured	2
4	104028901	Screw, M4 X .70, Pan Hd, Torx	2
5	104029001	Screw, M5 X .80, Pan Hd, Torx	2
6	105003601	Handle, Charger, High-Freq	1
7	105003701	Foot, Charger, High-Freq	4
8	105070101	Cord, DC, Yellow, 9ft (2.74 m)	1
9	105092301	Cover, DC Terminal Block, High-Freq Charger	1
10	105093101	Strain Relief, High-Freq, External, Charger	1
11	105123801	Cover, USB	1
<p>Note: This charger does not include the AC cord. To complete the charger, choose the appropriate type and length of AC cord found on the Battery Charger Cords page.</p>			

17

E



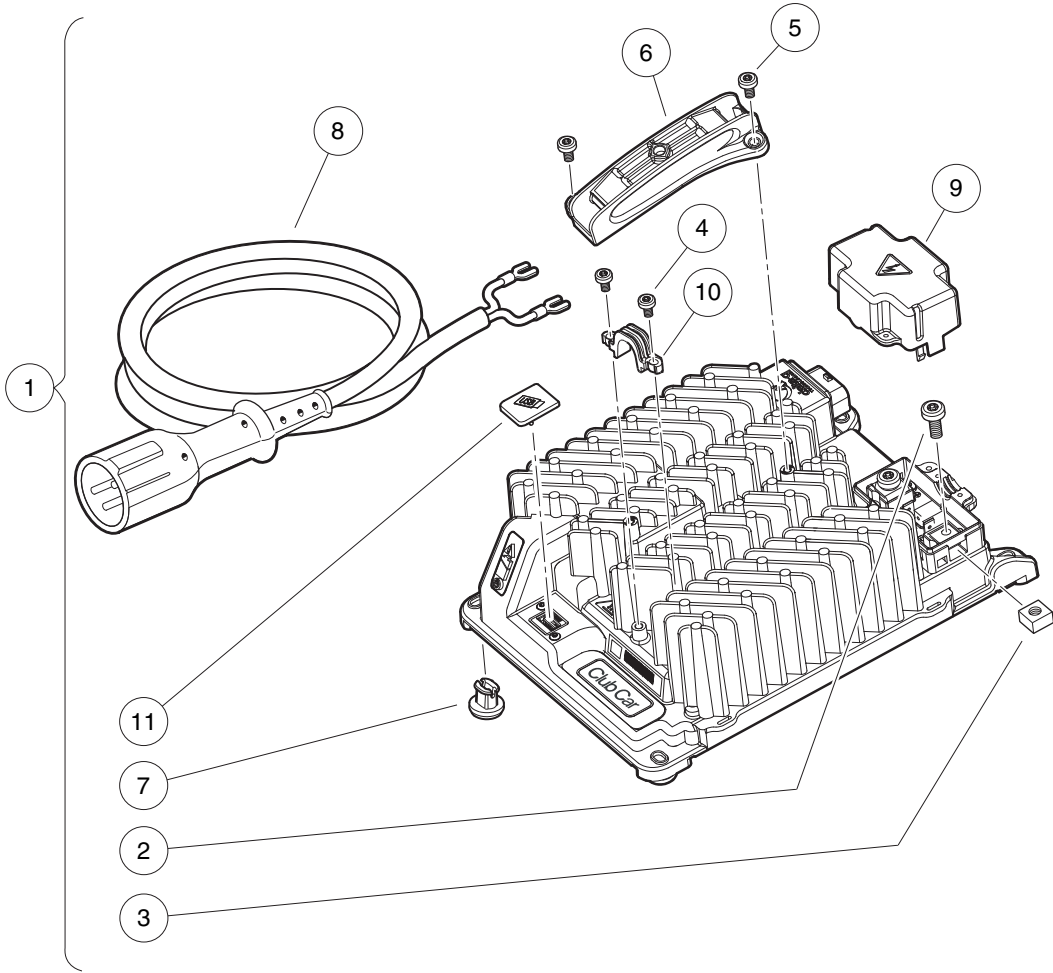
000610-003

BATTERY CHARGER, HIGH-FREQ., 3.66 M DC CORD – GLOBAL

ITEM	PART NO.	DESCRIPTION	QTY
		1 2 3 4	
1	104029602	Charger, Asm, High-Freq, 12ft (3.66 m) Yellow DC Cord (includes items 2 through 11) ..	1
2	104024501	Screw, M6, Torx Head	2
3	104024601	Nut, M6, Square, Captured	2
4	104028901	Screw, M4 X .70, Pan Hd, Torx	2
5	104029001	Screw, M5 X .80, Pan Hd, Torx	2
6	105003601	Handle, Charger, High-Freq	1
7	105003701	Foot, Charger, High-Freq	4
8	105070102	Cord, DC, Yellow, 12ft (3.66 m)	1
9	105092301	Cover, DC Terminal Block, High-Freq Charger	1
10	105093101	Strain Relief, High-Freq, External, Charger	1
11	105123801	Cover, USB	1
<p>Note: This charger does not include the AC cord. To complete the charger, choose the appropriate type and length of AC cord found on the Battery Charger Cords page.</p>			

17

E



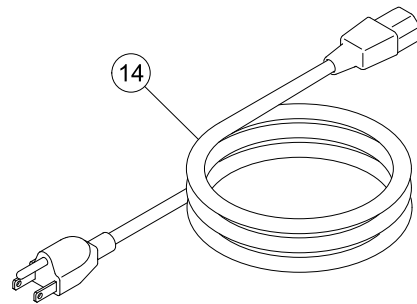
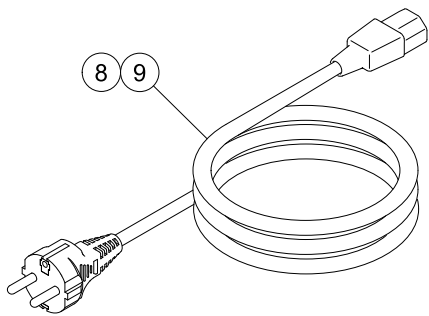
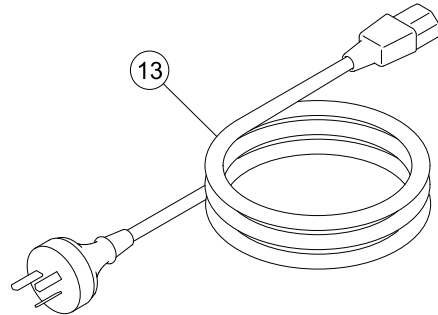
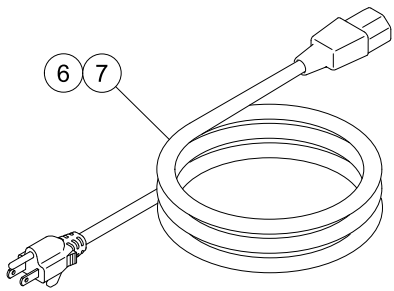
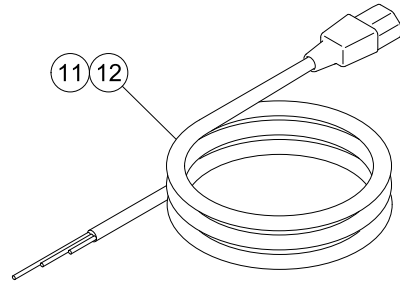
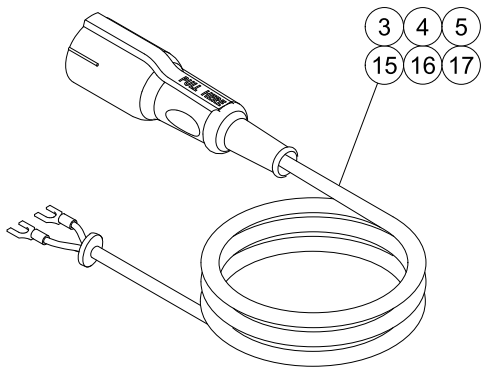
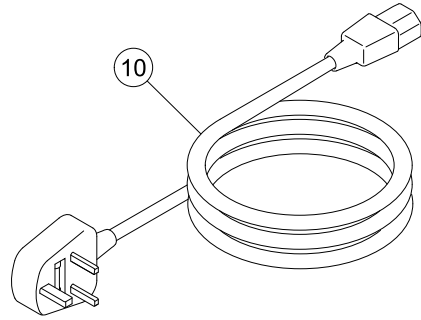
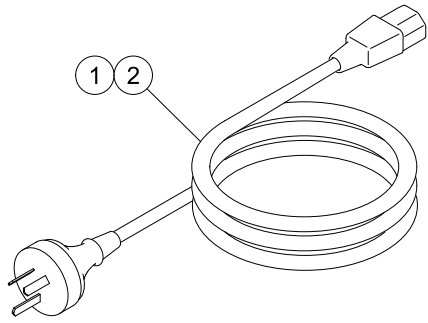
000610-003

BATTERY CHARGER, HIGH-FREQ., 6.1 M DC CORD – GLOBAL

ITEM	PART NO.	DESCRIPTION	QTY
		1 2 3 4	
1	104029603	Charger, Asm, High-Freq, 20ft (6.1 m) Yellow DC Cord (includes items 2 through 11)	1
2	104024501	Screw, M6, Torx Head	2
3	104024601	Nut, M6, Square, Captured	2
4	104028901	Screw, M4 X .70, Pan Hd, Torx	2
5	104029001	Screw, M5 X .80, Pan Hd, Torx	2
6	105003601	Handle, Charger, High-Freq	1
7	105003701	Foot, Charger, High-Freq	4
8	105070103	Cord, DC, Yellow, 20ft (6.1 m)	1
9	105092301	Cover, DC Terminal Block, High-Freq Charger	1
10	105093101	Strain Relief, High-Freq, External, Charger	1
11	105123801	Cover, USB	1
<p>Note: This charger does not include the AC cord. To complete the charger, choose the appropriate type and length of AC cord found on the Battery Charger Cords page.</p>			

17

E



G-130899-000006

CORDS – BATTERY CHARGER, HIGH-FREQUENCY

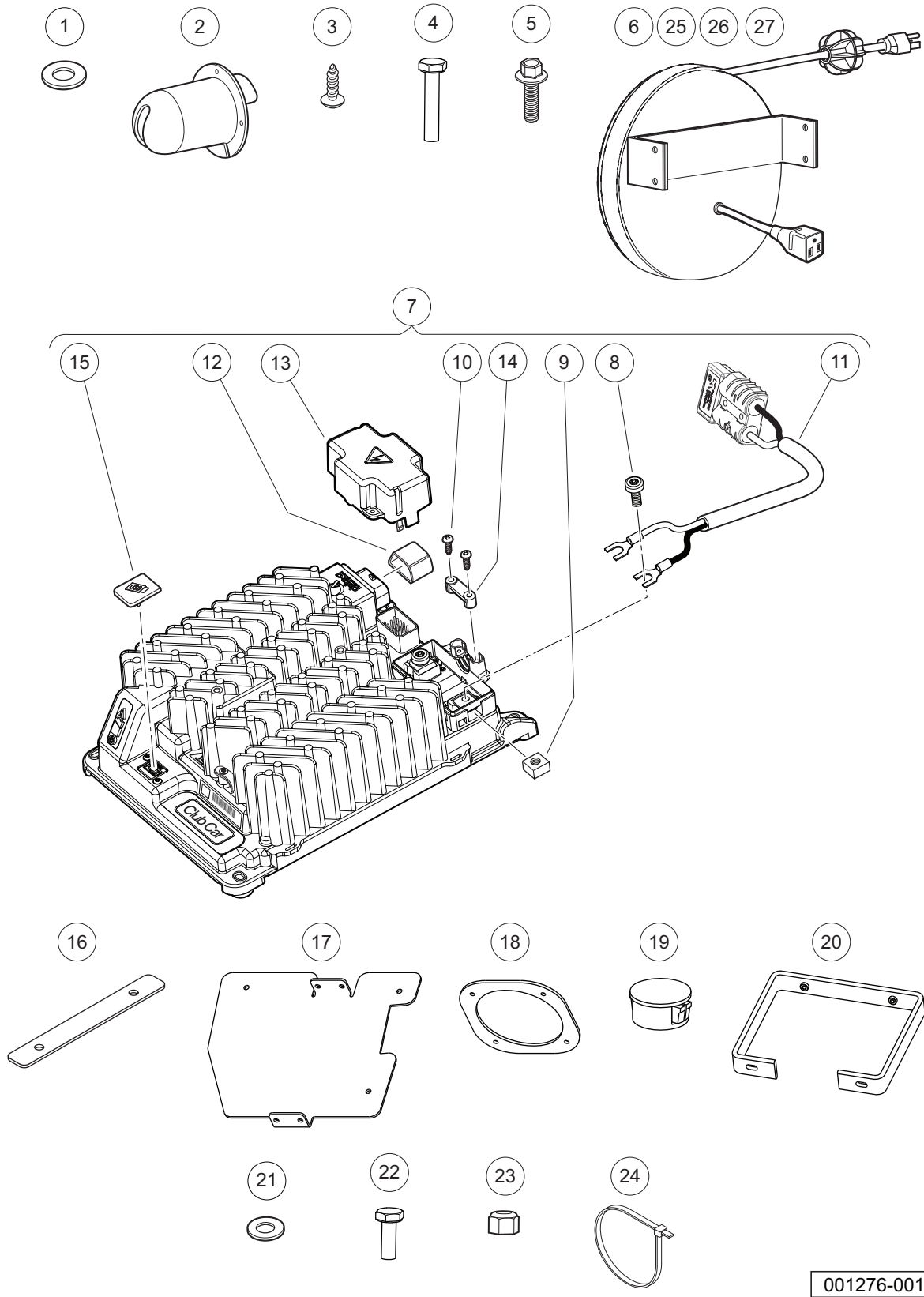
ITEM	PART NO.	DESCRIPTION	QTY
		1 2 3 4	
1	105068201	Cord, AC, lec320, 6ft (1.83 m), China	A/R
2	105068202	Cord, AC, lec320, 9ft (2.74 m), China	A/R
3	105070101	Cord, DC, Yellow, 9ft (2.74 m)	A/R
4	105070102	Cord, DC, Yellow, 12ft (3.66 m)	A/R
5	105070103	Cord, DC, Yellow, 20ft (6.1 m)	A/R
6	47606837001	Cord, Ac, lec320, 9Us'	A/R
7	47606837002	Cord, Ac, lec320, 6Us'	A/R
8	47612314001	Cord, Ac, lec320, 6, Eu'	A/R
9	47612314002	Cord, Ac, lec320, 9, Eu'	A/R
10	47612315002	Cord, Ac, lec320, 9, Gb'	A/R
11	47612316001	Cord, Ac, lec320, 6, Non-term'	A/R
12	47612316002	Cord, Ac, lec320, 9, Non-term'	A/R
13	47612317002	Cord, Ac, lec320, 9, Australi'	A/R
14	47612318002	Cord, ac, lec320, 9, Japan'	A/R
15	47655301001	Harness, PWR, Charger, Blk, 9'	A/R
16	47655301002	Harness, PWR, Charger, Blk, 12'	A/R
17	47655301003	Harness, PWR, Charger, Blk, 20'	A/R
		<p>Note: Items 3, 4 and 5 are specific to JCI battery chargers. Items 15, 16 and 17 are specific to Trojan battery chargers.</p>	

17

E

17

E



001276-001

JCI BATTERY CHARGER, HIGH-FREQUENCY – ONBOARD – FIXED REAR SEAT

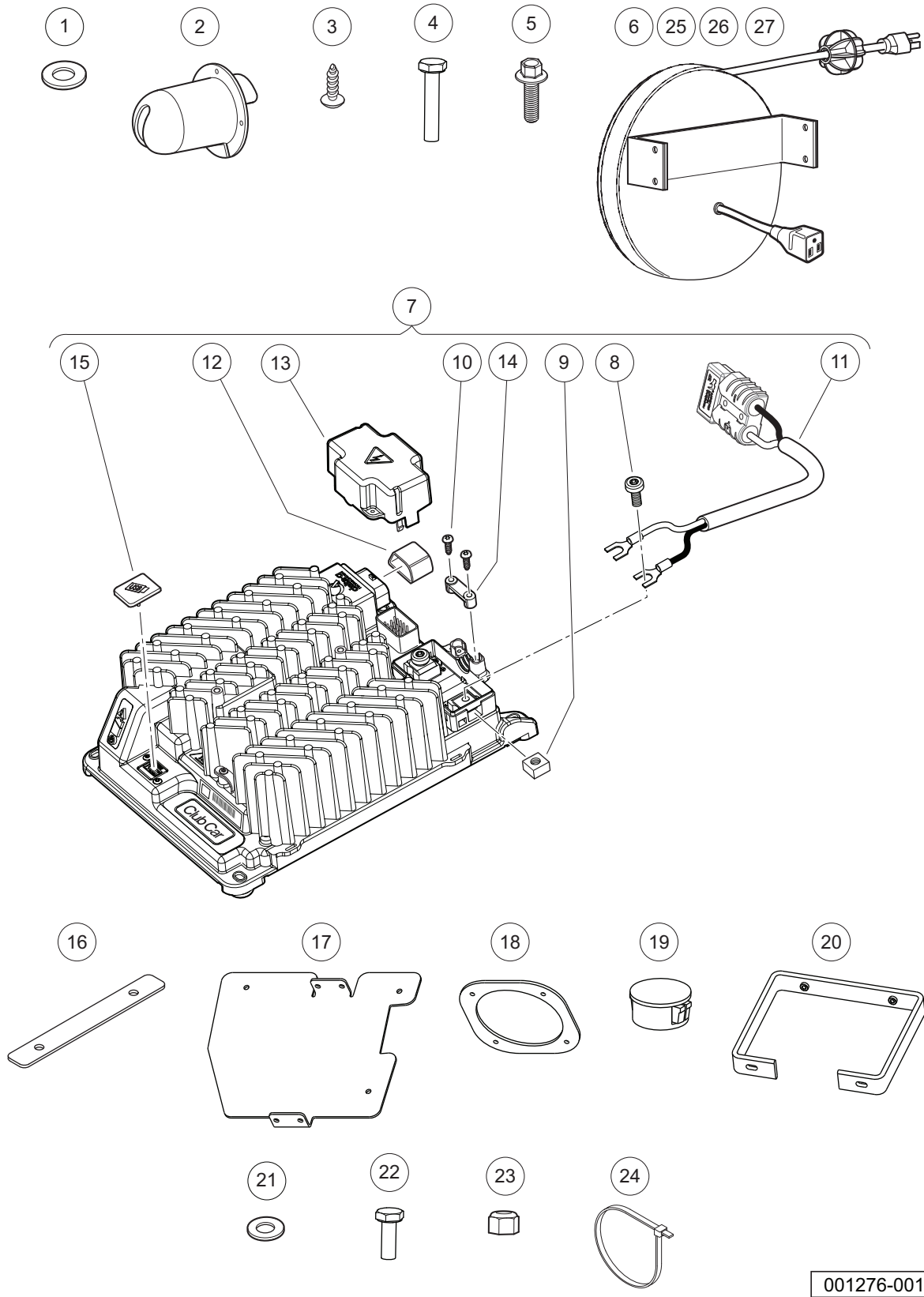
ITEM	PART NO.	DESCRIPTION	QTY
		1 2 3 4	
1	1014306	Washer, 1/4" Type B Flat	3
2	1016673	Housing, Cord Reel	1
3	101832001	Screw, #7-19 X 0.625 Phillips Pan-Head Tap	4
4	101861901	Screw, 1/4-20 X 1.125 Hex Cap	4
5	102541401	Bolt-m6x1.0x20 Hex Flhd Blk-I	4
6	103872701	Cord Reel, Hf Charger	1
7	105083001	Charger, Asm, High-Freq, Onboard (includes items 8 through 15)	1
8	104024501	Screw, M6, Torx Head	2
9	104024601	Nut, M6, Square, Captured	2
10	104029301	Screw, M3x1.5, Plastic Tapping	2
11	105084401	Cord, DC, Onboard	1
12	105086801	Sleeve, lec 320 C14	1
13	105092301	Cover, DC Terminal Block, High-Freq Charger	1
14	105094101	Strain Relief, DC Block, High-Freq, Onboard, Charger	1
15	105123801	Cover, USB	1
16	105299001	Plate, Charger, Mtg, Ubdy	2
17	105299101	Plate, Cord Reel, Mtg, Unbody	1
18	105299601	Plate, Backing, Charge Port	1
19	105300801	Plug, Push In, 61/64" Diameter	1
20	105315201	Asm, Bracket, Obc Eric Mount	2
21	332	Washer, 1/4 Type A Narrow Flat	8
22	7847	Screw, 1/4-20 X 0.75 Hex-Head Cap	7
23	8233	Locknut, 1/4-20, Nylon Insert	4
24	8990	Tie Wrap, 8" Nylon	1
25	SVP738601	Cord Reel Retract 3ft 14ga Uk	1
26	SVP738701	Cord Reel Retract 3ft 14ga Eu	1
27	SVP738801	Cord Reel Retract 3ft 14ga Aus	1

17

E

17

E



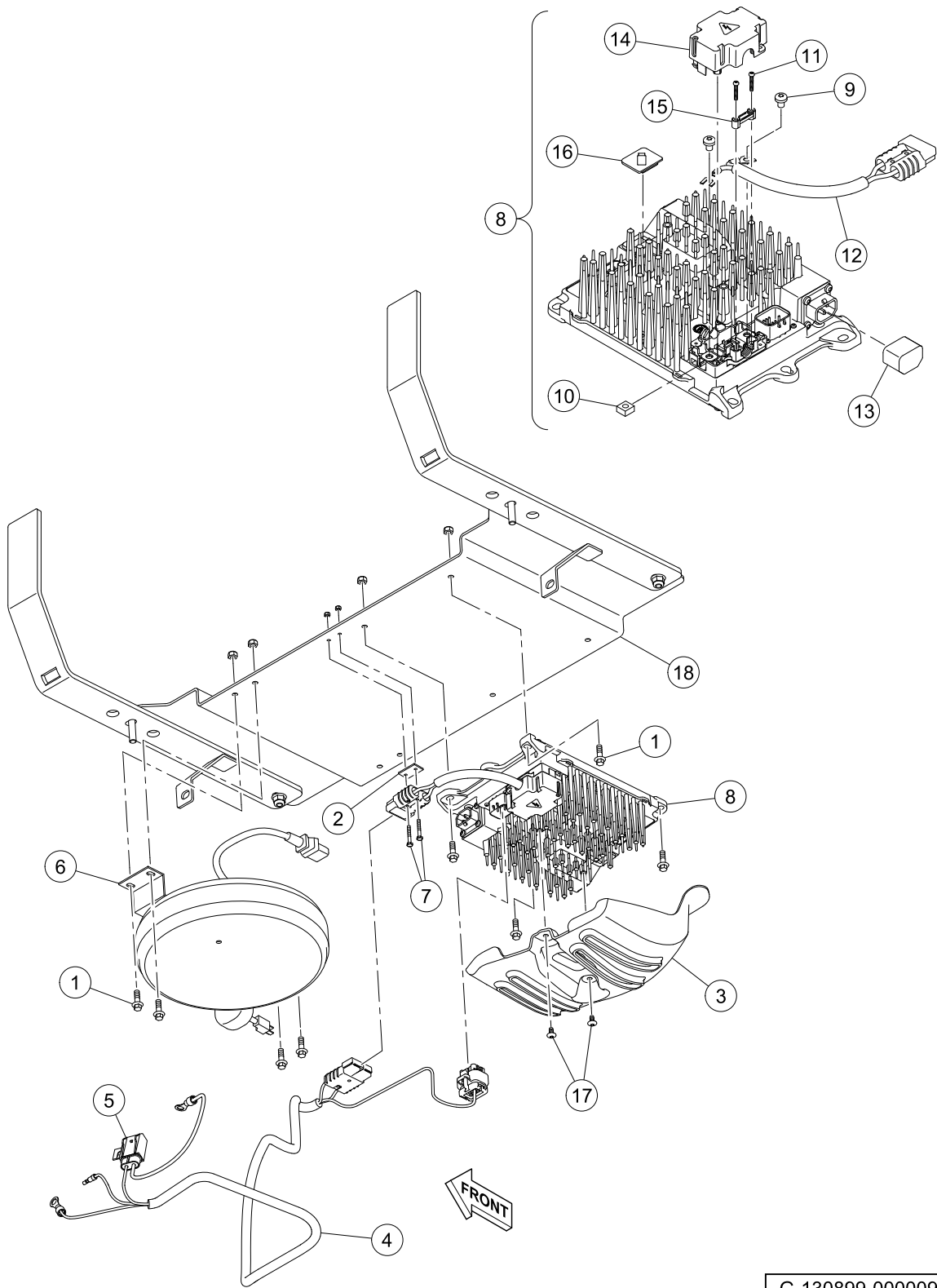
001276-001

TROJAN BATTERY CHARGER, HIGH-FREQUENCY – ONBOARD – FIXED REAR SEAT

ITEM	PART NO.	DESCRIPTION	QTY
		1 2 3 4	
1	1014306	Washer, 1/4" Type B Flat	3
2	1016673	Housing, Cord Reel	1
3	101832001	Screw, #7-19 X 0.625 Phillips Pan-Head Tap	4
4	103872701	Cord Reel, Hf Charger	1
5	105083002	Charger Asm, Hf, Onboard, Trojan (includes items 6 through 13)	1
6	104024501	Screw, M6, Torx Head	2
7	104024601	Nut, M6, Square, Captured	2
8	104029301	Screw, M3x1.5, Plastic Tapping	2
9	105084402	Harness, Chgr, Pwr	1
10	105086801	Sleeve, lec 320 C14	1
11	105092301	Cover, DC Terminal Block, High-Freq Charger	1
12	105094101	Strain Relief, DC Block, High-Freq, Onboard, Charger	1
13	105123801	Cover, USB	1
14	105299101	Plate, Cord Reel, Mtg, Unbody	1
15	105299601	Plate, Backing, Charge Port	1
16	105300801	Plug, Push In, 61/64" Diameter	1
17	105315201	Asm, Bracket, Obc Eric Mount	2
18	47563306001	Screw, M6x1.0x30, Sems, Lp	4
19	47568674002	Bolt, 1/4-20x1.25 Hx Flg Zn G5	4
20	47568676001	Nut, 1/4-20 Hx Flg Zn Nyloc	4
21	7847	Screw, 1/4-20 X 0.75 Hex-Head Cap	7
22	SVP738601	Cord Reel Retract 3ft 14ga Uk	1
23	SVP738701	Cord Reel Retract 3ft 14ga Eu	1
24	SVP738801	Cord Reel Retract 3ft 14ga Aus	1

17

E



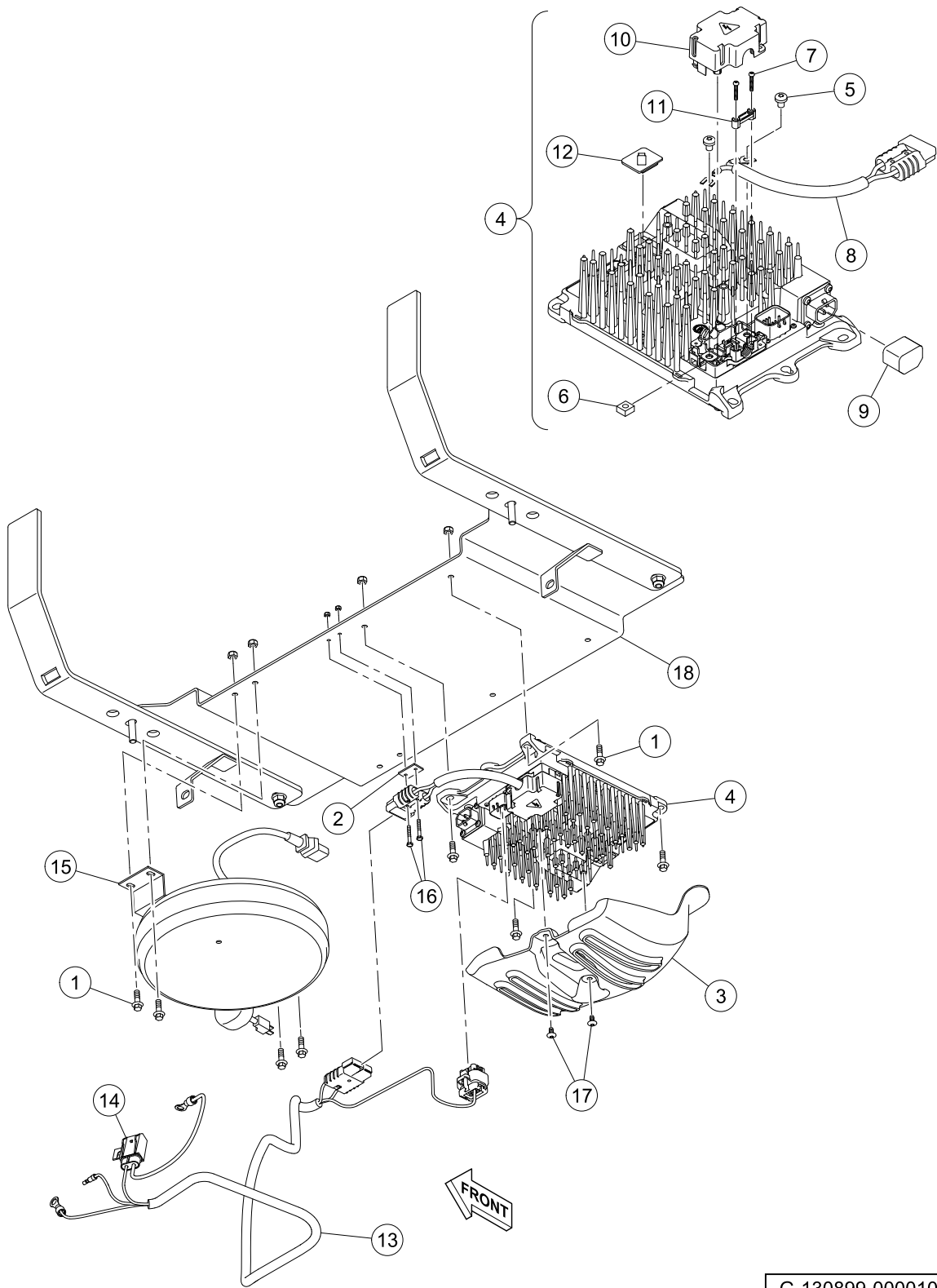
G-130899-000009

JCI BATTERY CHARGER, HIGH-FREQUENCY – ONBOARD (FOLD-DOWN REAR FACING SEAT)

ITEM	PART NO.	DESCRIPTION	QTY
		1 2 3 4	
1	102541401	Bolt-m6x1.0x20 Hex Flhd Blk-I	8
2	105082601	Insulation, Thermal	1
3	105082801	Shield, Charger, High-Freq	1
4	105084301	Harness, Wire, High-Freq Onboard Charger, 4-Pass (includes item 5)	1
5	102492301	Fuse, 30-Amp	1
6	105084501	Cord Reel, AC, Retractable, High-Freq Charger, Onboard	1
7	105086901	Screw, #6-20 Type Abx1.25 Pan	2
8	105096202	Charger, 650w High Freq, OB (includes items 9 through 16)	1
9	104024501	Screw, M6, Torx Head	2
10	104024601	Nut, M6, Square, Captured	2
11	104029301	Screw, M3x1.5, Plastic Tapping	2
12	105084401	Cord, DC, Onboard	1
13	105086801	Sleeve, lec 320 C14	1
14	105092301	Cover, DC Terminal Block, High-Freq Charger	1
15	105094101	Strain Relief, DC Block, High-Freq, Onboard, Charger	1
16	105123801	Cover, USB	1
17	105101001	Screw, M5-0.8x10, Torx, Trs	2
18	105298501	Bracket Adapter	1
		Note: Used on 4-passenger vehicle with fold-down rear-facing back seat only.	

17

E



G-130899-000010

TROJAN BATTERY CHARGER, HIGH-FREQUENCY – ONBOARD (FOLD-DOWN REAR FACING SEAT)

ITEM	PART NO.	DESCRIPTION	QTY
		1 2 3 4	
1	102541401	Bolt-m6x1.0x20 Hex Flhd Blk-I	8
2	105082601	Insulation, Thermal	1
3	105082801	Shield, Charger, High-Freq	1
4	105083002	Charger Asm, Hf, Onboard, Trojan (includes items 5 through 12)	1
5	104024501	Screw, M6, Torx Head	2
6	104024601	Nut, M6, Square, Captured	2
7	104029301	Screw, M3x1.5, Plastic Tapping	2
8	105084402	Harness, Chgr, Pwr	1
9	105086801	Sleeve, lec 320 C14	1
10	105092301	Cover, DC Terminal Block, High-Freq Charger	1
11	105094101	Strain Relief, DC Block, High-Freq, Onboard, Charger	1
12	105123801	Cover, USB	1
13	105084301	Harness, Wire, High-Freq Onboard Charger, 4-Pass (includes item 14)	1
14	102492301	Fuse, 30-Amp	1
15	105084501	Cord Reel, AC, Retractable, High-Freq Charger, Onboard	1
16	105086901	Screw, #6-20 Type Abx1.25 Pan	2
17	105101001	Screw, M5-0.8x10, Torx, Trs	2
18	105298501	Bracket Adapter	1
		Note: Item 13 used on 4-passenger vehicle with fold-down rear-facing back seat only.	

17

E

17

E

MAINTENANCE AND SERVICE TOOLS

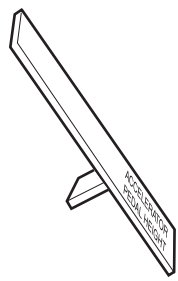
18

G

E

D

18
G
E
D



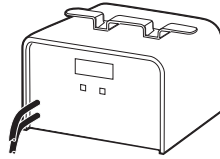
1



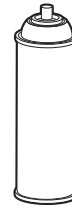
2



3



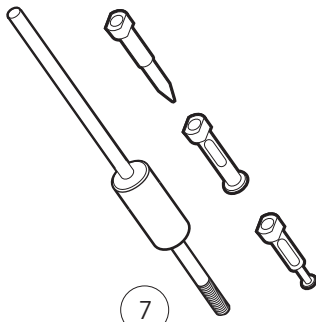
4



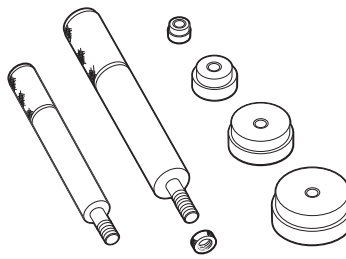
5



6



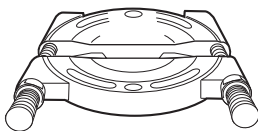
7



8



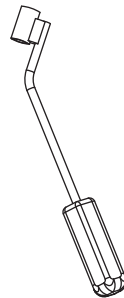
9



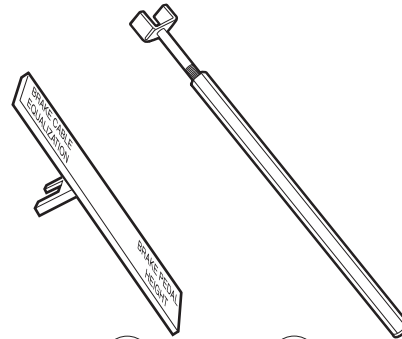
10



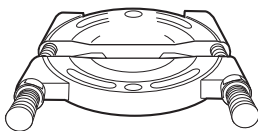
11



12

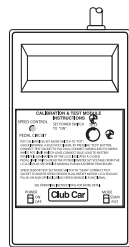


13



14

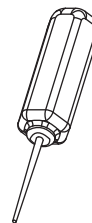
15



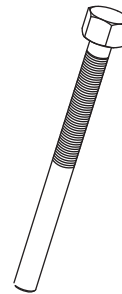
16



17



18



19

STF19-0001

MAINTENANCE AND SERVICE TOOLS

ITEM	PART NO.	DESCRIPTION	QTY DIESEL	QTY GAS	QTY ELEC
		<p>1 2 3 4</p> <p>The following tool list includes all tools available from Club Car for maintenance and service procedures for gasoline, electric, and/or diesel vehicles models. Be sure to carefully examine the tool list for applicability to your vehicle before ordering.</p>			
1	101871001	Accelerator Pedal Adjustment Tool		1	1
2	101813202	Adhesive, Guide Ring, 3-Gram Tube			1
3	101641202	Arbor		1	
4	101831901	Battery Discharge Machine, 36/48 Volt			1
5	1014305	Battery Terminal Protector Spray	1	1	1
6	1011767	Battery Thermometer	1	1	1
7	1016417	Bearing and Oil Seal Remover Assembly	1	1	1
8	1016416	Bearing Driver Set	1	1	1
9	1012811	Bearing Puller	1	1	1
10	1012812	Bearing Puller Wedge Attachment	1	1	1
11	1013582	Brake Adjustment Tool (used only on vehicles with manually adjusted mechanical brakes)		1	1
12	102555501	Brake Cable Release Tool	1	1	1
13	102249901	Brake Pedal Adjustment Tool Kit (used for the Carryall Electric Industrial Truck only) (includes items 14 and 15).....			1
14	****	Brake Pedal Adjustment Tool			1
15	****	Brake Pedal Tension Tool			1
16	101887101	Calibration Test Module			1
17	101808401	Cam Installation Tool		1	
18	102562401	Charger Bezel Tool			1
19	102686101	Clutch Removal Tool (for 4x4 vehicles)	1	1	
		<p>Please refer to the maintenance and service manual for proper tool application.</p> <p>**** Special order item available upon request</p>			

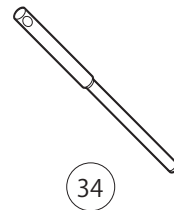
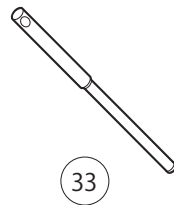
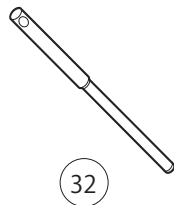
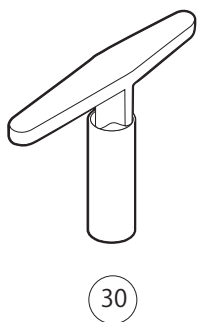
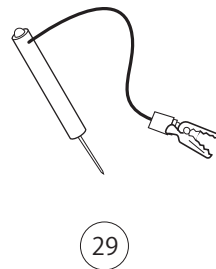
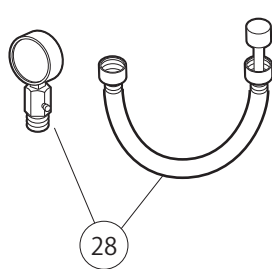
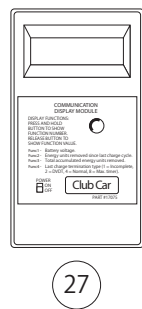
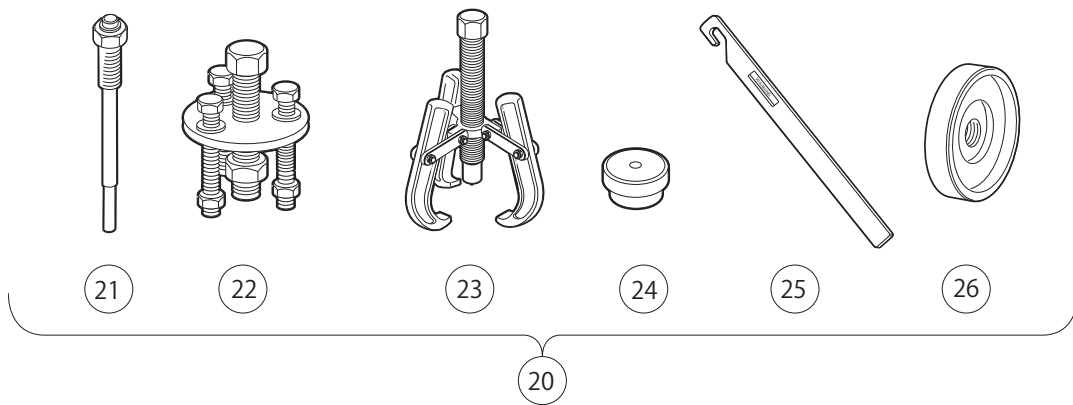
18

G

E

D

18
G
E
D



STF19-0002

MAINTENANCE AND SERVICE TOOLS, CONTINUED

ITEM	PART NO.	DESCRIPTION	QTY DIESEL	QTY GAS	QTY ELEC
		1 2 3 4			
20	1014510	Clutch Tools Kit (includes items 21 - 27)		1	
21	1014496	Drive Clutch Puller (Kohler and Kawasaki engines)		1	
22	1014497	Drive Clutch Hub Puller (Kohler and Kawasaki engines)		1	
23	1014508	Driven Clutch Cam Puller (Kohler and Kawasaki engines)		1	
24	1014507	Driven Clutch Puller Plug (Kohler and Kawasaki engines)		1	
25	1015524	Drive Clutch Holder Tool Assembly (for Kawasaki engines only)		1	
25	105072501	Drive Clutch Holder Tool Assembly (for Kohler engines only)		1	
26	101809101	Press Weldment (for Kawasaki engines only)		1	
27	101831801	Communication Display Module			1
28	101641002	Compression Gauge and Adapter		1	
29	1011273	Continuity Tester		1	1
30	102774101	Wrench, T, #505.....		1	
31	102774101	Adapter, T-Wrench.....		1	
32	102774201	Pilot, 6.6 MM		1	
33	102774301	Pilot, 6.62 MM.....		1	
34	102774401	Pilot, 6.65 MM.....		1	
		Please refer to the maintenance and service manual for proper tool application.			

18

G

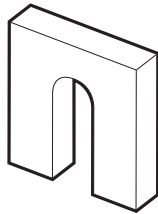
E

D

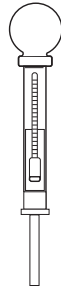
18
G
E
D



35



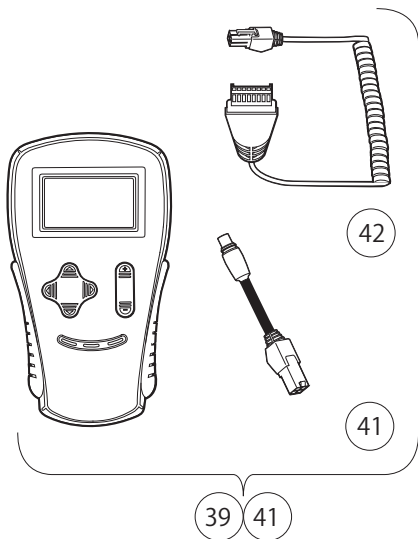
36



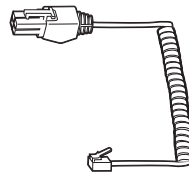
37



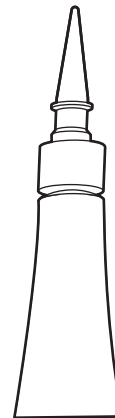
38



39 41



43



44



45



46 47



48

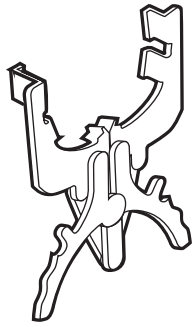
STF19-0003

MAINTENANCE AND SERVICE TOOLS, CONTINUED

ITEM	PART NO.	DESCRIPTION	QTY DIESEL	QTY GAS	QTY ELEC	18
		1 2 3 4				G
35	1012151	Dry Moly Lubricant	1	1	1	E
36	1016418	Gear Yoke	1	1	1	D
37	1011478	Hydrometer	1	1	1	
38	1013593	Internal Retaining Ring Pliers	1	1	1	
39	102248803	Kit, IQDM User Series 40602 (IQ System and IQ Plus vehicles) (includes items 41 and 42)			1	
40	102248804	Kit, IQDM Programmable OEM Series II (IQ System and IQ Plus vehicles) (includes items 41 and 42)			1	
41	102251501	Adaptor, Cable			1	
42	102241502	IQDM Series 2 Cable			1	
43	102241501	IQDM Series 1 Cable (replacement)			1	
44	101928701	Liquid Gasket (transaxle case)	1	1	1	
45	102243402	Moly-Teflon Lubricant (4-oz. (113-gram) tube)			1	
46	101997201	Paint, Touch-Up – Beige*		1	1	
46	101997207	Paint, Touch-Up – Black*		1	1	
46	101997212	Paint, Touch-Up – Burgundy*		1	1	
46	101997211	Paint, Touch-Up – Classic Blue (Navy)*		1	1	
46	101997205	Paint, Touch-Up – Dark Gray*	1	1	1	
46	101997209	Paint, Touch-Up – Dark Green*	1	1	1	
46	101997204	Paint, Touch-Up – Gray*	1	1	1	
46	101997203	Paint, Touch-Up – Red*	1	1	1	
46	101997206	Paint, Touch-Up – Royal Blue (Pacific Blue)*		1	1	
46	101997202	Paint, Touch-Up – White*	1	1	1	
47	102562301	Paint, Precedent Underbody – Gray		1	1	
48	102587201	Paint Pen, Touch-Up, Precedent Underbody – Black		1	1	
		Please refer to the maintenance and service manual for proper tool application.				
		* Item 47 is not for use on Surlyn [®] body material, which is used on Precedent vehicles.				



49



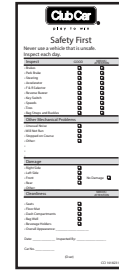
50



51



52



53



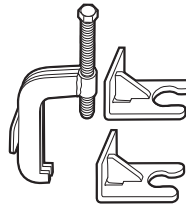
54



55



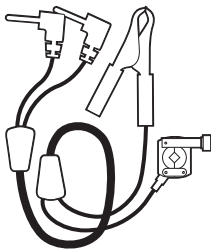
56



57



58



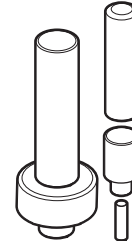
59



60



61



62

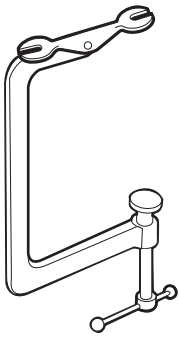
STF19-0004

MAINTENANCE AND SERVICE TOOLS, CONTINUED

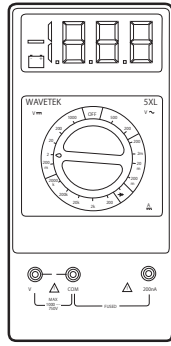
ITEM	PART NO.	DESCRIPTION	QTY DIESEL	QTY GAS	QTY ELEC
		1 2 3 4			
49	1016414	Piston Ring Compressor Kit (FE290, FE350 and FE400 engines)		1	
50	1016415	Piston Ring Pliers (for Kawasaki Engines)		1	
51	1012549	Retaining Ring Pliers, 45° External	1	1	1
52	1012560	Retaining Ring Pliers, 90° Internal	1	1	1
53	101823101	Safety First Card (50 per pack)	1	1	1
54	1012809	Seal Puller	1	1	1
55	1014264	Steering Column Bearing Press Tool		1	1
56	1014259	Steering Column Retaining Ring Tool		1	1
57	102061201	Steering Wheel Puller Tool	1	1	1
58	AM10753	Tachometer (includes gasoline engine pick up lead only)	1	1	
59	AM10771	Tachometer Diesel Probe (for use with item 73)	1		
60	1014162	Transaxle Axle Seal Tool		1	
61	1014161	Transaxle Pinion Seal Tool		1	
62	1014115	Transmission Tool Kit		1	

18
G
E
D

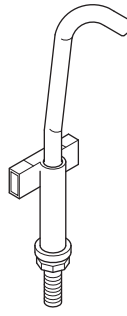
18
G
E
D



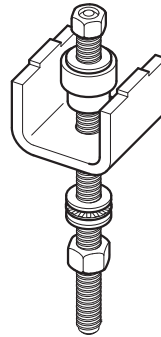
63



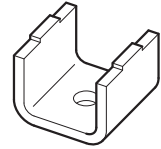
64



65



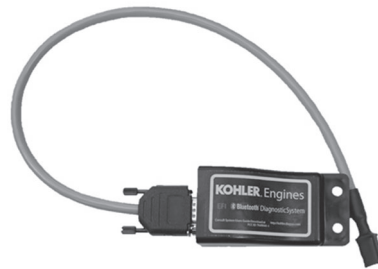
66



67



68



69



70

STF19-0005

MAINTENANCE AND SERVICE TOOLS, CONTINUED

ITEM	PART NO.	DESCRIPTION	QTY DIESEL	QTY GAS	QTY ELEC
		1 2 3 4			
63	101641101	Valve Spring Compressor		1	
64	1011480	Volt Ohm Meter	1	1	1
65	102570401	Tool, Tensioning, Starter Generator (For Precedent vehicles)		1	
		Kohler ECH440 Specific Items			
66	47568549001	Driven Clutch Tool		1	
67	47568246001	Plate, Cam Press (supplied with 47568549001)		1	
68	47631025001	Kit, EFI Diagnostics		1	
69	47631026001	Kit, Bluetooth EFI Diagnostics		1	
70	47631075001	Kit, EFI Tool		1	

18

G

E

D

INDEX

Part Number and Page

AM10753	18-9	1011578	1-43	1014288	12-5, 12-7
AM10771	18-9	1011697	11-3	1014304	14-9, 14-11
AM10079	4-5, 4-7	1011767	18-3	1014305	18-3
AM10419	12-9	1011897	1-49	1014306	17-15, 17-17
AM1289701	7-11	1012151	18-7	1014453	12-5, 12-7
AM1289801	7-11	1012180	6-13, 6-15	1014454	12-9
AM1289901	7-11	1012295	8-5	1014496	18-5
AM1290001	7-11	1012431	8-17, 13-3	1014497	18-5
AM1290101	7-11	1012505	4-5, 4-7	1014507	18-5
AM1290201	7-11	1012528	14-17	1014508	18-5
AM1290501	7-11	1012549	18-9	1014510	18-5
AM1300001	14-15	1012560	18-9	1014555	6-13, 6-15, 14-9, 14-11
AM1300101	14-15	1012565	6-3, 7-3	1014727	8-17, 13-3
AM1300201	14-15	1012566	6-3, 7-3	1014807	8-17, 13-3
AM1300301	14-15	1012571	1-15	1014947	14-17
SVP738601	17-15, 17-17	1012594	8-17, 13-3	1015064	13-3
SVP738701	17-15, 17-17	1012649	10-7	1015332	9-9
SVP738801	17-15, 17-17	1012809	18-9	1015524	18-5
SVP915201	1-23	1012811	18-3	1015583	6-13, 6-15
183	12-5, 12-7	1012812	18-3	101558302	6-13, 6-15, 6-17, 7-13
332	13-7, 17-15	1012836	12-9	101587711	10-7
334	12-5, 12-7	1012987	13-3	101587712	10-7
451	15-3	1013042	6-7, 7-9	1015932	8-9
1016	4-11	1013164	6-13, 6-15	101609401	1-49, 3-3
1242	5-7, 8-9, 8-11	1013582	18-3	101611402	16-5
1624	8-9	1013589	13-3	1016154	6-3, 7-3
7174	8-9	1013590	13-3	1016201	12-5, 12-7
7310	2-3	1013591	13-3	1016214	6-3, 7-3
7330	16-3	1013593	18-7	1016289	12-5, 12-7
7335	16-3	1013609	8-11	101641002	18-5
7336	16-3	1013734	14-17	101641101	18-11
7847	17-15, 17-17	1013746	10-7	101641202	18-3
7893	4-11, 8-11	1013794	16-3	1016414	18-9
8056	8-17	1013857	4-3, 4-7	1016415	18-9
8057	8-17, 13-3	1013924	5-3, 5-5, 9-7	1016416	18-3
8058	8-17, 13-3	1014007	10-13, 13-9	1016417	18-3
8233	10-13, 13-7, 13-9, 17-15	1014051	12-7	1016418	18-7
8450	12-5, 12-7	1014055	12-5, 12-7	1016673	17-15, 17-17
8639	14-21	1014056	12-5, 12-7	1016801	12-5, 12-7
8717	13-3	1014057	12-5, 12-7	1016849	4-3, 4-5, 4-7
8754	8-9	1014058	12-5, 12-7	1016851	4-5, 4-7
8990	1-33, 4-3, 6-7, 7-9, 13-5, 14-21, 17-15	1014059	12-5, 12-7	1016901	12-5
1010145	6-13, 6-15, 6-17, 7-13	1014062	12-5, 12-7	101705701	3-3
1010434	1-21, 1-43, 1-47, 5-9, 5-11, 5-13, 5-15, 8-13	1014063	12-5, 12-7	1017686	12-9
1010829	5-7	1014065	12-5, 12-7, 13-3	101791101	5-3
1010958	14-9	1014072	12-9	101808401	18-3
1010984	2-3	1014078	12-9	101809101	18-5
1011114	10-13, 13-9	1014080	12-9	101813202	18-3
1011137	5-5	1014115	18-9	101815501	5-3, 5-5
1011273	18-5	1014145	13-3	101815502	5-3, 5-5
1011415	6-13, 6-15	1014161	18-9	101816501	5-3, 5-5
1011478	18-7	1014162	18-9	101816502	5-3, 5-5
1011480	18-11	1014201	15-3	101823101	18-9
101155301	3-3	1014259	18-9	101823201	5-3, 5-5
		1014264	18-9	101823801	5-3, 5-5
		1014287	12-5, 12-7	101823901	5-3, 5-5

INDEX

101830701	4-5, 4-7	101979101	8-17, 13-3	102296140	1-25, 1-27, 1-29
101831801	18-5	101998501	1-19	102296301	1-49, 10-3
101831901	18-3	102022601	6-7, 7-9	102296401	1-25, 1-27, 1-29
101832001	14-5, 17-15, 17-17	102025801	10-5	102296530	1-21, 1-47
101833401	12-9	102051901	4-3, 4-7	102296601	1-23
101834502	4-5, 4-7	102061201	18-9	102296716	10-13, 14-17
101834601	9-7	102155801	12-9	102296720	9-9
101834602	9-7	102186001	15-3	102296819	1-11
101835601	1-43, 4-3	102186101	15-3	102296920	14-7
101850301	6-3, 7-3, 7-5	102186201	15-3	102297001	1-11
101851101	4-5, 4-7	102186401	15-3	102297125	10-17
101856001	14-7	102186701	15-3	102297230	1-21, 1-23
101861901	17-15	102186901	15-3	102297901	5-7
101862001	13-7	102187101	15-3	102298020	1-13, 1-15, 14-9, 14-11
101871001	18-3	102187201	15-3	102298030	1-17, 1-23, 1-47, 5-9, 5-11, 5-13, 5-15
101884801	9-7	102196901	4-5	102298116	6-5, 7-7, 9-9, 10-11
101886101	10-13, 13-9	102199001	4-7	102298130	6-5, 7-7
101887101	18-3	102235201	15-3	102298170	6-13, 6-15, 6-19, 7-15
101887601	10-13	102240501	14-17	102298175	6-13, 6-15, 6-17, 7-13
101895401	16-3	102241501	18-7	102298240	1-43, 1-47
101895501	16-3	102241502	18-7	102298250	1-21
101897001	16-3	102242101	12-9	102298401	1-3, 1-5, 1-31, 1-33, 6-13, 6-15, 6-17, 7-13, 9-9, 11-3
101897201	16-3	102243402	18-7	102298580	1-3, 6-13, 6-15
101897401	16-3	102243403	15-3	102298601	1-3, 6-13, 6-15
101897601	16-3	102248803	18-7	102298716	1-13, 1-23
101898001	8-11	102249901	18-3	102298720	4-3
101903601	16-3	102251501	18-7	102298745	1-47
101903701	16-3	102274101	13-17	102298995	1-3
101906901	16-3	102278802	1-43	102299065	1-9, 1-31, 1-33, 1-41
101908401	4-13, 8-13, 14-7	102279106	1-23	102299360	1-31, 1-33
101914001	16-5	102287101	6-9, 7-11	102299601	1-31, 1-33
101920101	15-3	102287601	6-9	102353201	6-11, 7-11
101922101	16-3	102287701	6-9	102353301	6-11, 7-11
101922201	16-3	102288101	6-9, 6-11	102353401	6-11
101923001	16-3	102288201	6-11	102356601	16-3
101923201	16-3	102288401	6-11	102356801	16-3
101923501	16-3	102288701	6-11	102357701	6-11, 7-11
101923901	16-3	102288801	6-11	102400002	1-31, 1-33, 1-41
101928701	16-3, 18-7	102288901	6-9, 7-11	102400102	1-31, 1-33, 1-41
101936101	16-5	102289001	6-7, 7-9	102400202	1-9
101942301	15-3	102289101	6-11	102400302	1-9
101954301	1-19	102289201	6-11, 7-11	102410604	10-3, 10-13
101960501	3-3	102289401	6-9, 7-11	102411209	10-17
101972001	1-49, 3-3, 18-7	102289501	6-9, 6-11	102476401	10-13, 13-9
101972002	18-7	102289601	6-9	102490301	10-3, 10-13
101972003	18-7	102289701	6-9	102491501	12-5, 12-7, 14-9, 14-11
101972004	18-7	102289801	6-11, 7-11	102492301	14-5, 14-17, 17-19, 17-21
101972005	18-7	102289901	6-9	102498201	10-13, 13-7, 13-9
101972006	18-7	102290120	6-3, 6-5, 7-3, 7-5, 7-7	102500801	5-9, 5-11, 5-13, 5-15
101972007	18-7	102292101	1-3	102501402	1-23
101972009	18-7	102292201	5-9, 5-11, 5-13, 5-15	102501403	1-23
101972011	18-7	102292356	1-11, 1-13, 14-9, 14-11	102501501	1-7
101972012	18-7	102292701	1-13, 1-23	102502401	1-7
101972101	16-3	102292801	5-7	102502409	1-7
101972201	16-3	102296020	1-7, 4-3, 8-3, 8-11, 10-3, 10-17		
101978601	16-5	102296040	8-11, 13-3		

INDEX

102502415	1-7	102541445	1-49	102732401	9-5
102502416	1-7	102541465	1-49	102771701	16-3
102502419	1-7	102541501	1-49	102803301	8-11
102502451	1-7	102543902	1-9	102838701	8-7
102502452	1-7	102544201	1-9, 1-31, 1-33, 1-41	102838801	8-7
102502453	1-7	102544301	4-3	102838901	8-7
102502458	1-7	102551901	5-7	102839001	8-7
102502461	1-7	102552001	5-7	102839301	8-7
102502501	1-7	102554901	14-5	102841101	8-7
102504001	1-21	102555501	18-3	102865901	14-17
102504201	1-21	102555901	3-3	102878201	6-11
102504301	1-21	102557201	1-11	102883602	1-7
102504802	1-13	102558201	9-3, 10-17	102886301	16-3
102505401	1-3	102558301	10-17	102886401	16-3
102505701	1-3, 6-9	102558501	10-17	102886501	16-3
102506401	6-13, 6-15, 6-17, 7-13	102558601	10-17	102886601	16-3
102508202	1-17	102558701	10-17	102902801	16-3
102508401	14-7	102559401	5-9, 5-11, 5-13, 5-15	102915601	1-11
102508601	4-5	102559701	5-9, 5-11, 5-13, 5-15	102922701	11-3
102508901	1-25	102559901	2-3	102956201	6-9, 6-11
102508902	1-27	102559902	2-3	102958001	14-13
102508903	1-29	102562401	18-3	102967901	1-23
102511101	4-13, 14-7	102565201	6-7, 7-9	103146501	6-19, 7-15
102511601	1-25	102566001	6-7, 7-9	103196001	1-31, 1-33
102511602	1-27	102569302	2-3	103198401	8-13
102511603	1-29	102570401	18-11	103199301	1-31
102512501	9-9	102572401	4-5	103200301	1-31, 1-33
102513501	1-31, 1-33	102573101	1-47	103205101	1-25, 1-27, 1-29
102515101	4-7	102581201	1-41	103205501	3-3, 8-13
102516901	1-17	102582401	1-49	103210101	1-25, 1-27, 1-29
102517001	1-21	102588501	6-13, 6-15, 6-17, 7-13	103262201	9-5
102517601	4-3	102588601	6-9, 7-11	103325001	1-5, 4-3
102517901	3-3	102594301	5-7	103327601	1-21
102519301	3-3	102594801	5-9, 5-11, 5-13, 5-15	103347601	8-7
102521401	10-17	102594901	5-9, 5-11, 5-13, 5-15	103347701	8-7
102521901	1-13	102595201	5-9, 5-11, 5-13, 5-15	103347801	8-7
102522901	4-5	102595301	5-9, 5-11, 5-13, 5-15	103348201	4-7
102526201	13-3	102595401	5-9, 5-11, 5-13, 5-15	103348602	4-7
102527801	4-3	102595502	5-9, 8-3	103350802	14-9, 14-11
102528101	4-3	102595901	5-9, 5-11, 5-13, 5-15	103357701	14-9, 14-11
102528701	4-3	102596001	5-9, 5-11, 5-13, 5-15	103367901	14-17
102529201	4-3	102596301	5-11, 5-13, 5-15	103368301	14-9, 14-11
102531502	1-47	102617201	9-5	103368403	14-9, 14-11
102534201	1-5	102617801	13-17	103372101	10-3
102534404	1-7	102618601	1-49, 7-11	103372401	10-7
102535101	4-3	102621501	8-9	103374801	14-9, 14-11
102535201	4-3	102670701	6-17, 7-13	103375402	14-5, 14-17
102535301	4-3, 8-5	102674201	18-5	103375702	14-5
102535401	4-3	102675001	18-5	103375901	4-3, 8-5
102536601	4-5	102675101	18-5	103380201	5-3, 5-5
102536603	4-5	102675201	18-5	103380202	5-3, 5-5
102536605	4-5	102675401	18-5	103384601	3-3
102538601	14-5	102686101	18-3	103384701	3-3
102540301	9-7	102704701	15-3	103384801	3-3
102541401	8-9, 17-15, 17-19, 17-21	102704801	15-3	103388501	6-9
102541425	1-47	102704901	15-3	103395505	14-13

INDEX

103397901	4-3	103783003	7-3	103974901	5-9, 5-11, 5-13, 5-15
103402701	1-11	103793001	14-9	103975011	5-15
103414901	4-3	103793003	14-9	103975301	12-9
103449501	14-21	103796701	7-3	103976101	12-5, 12-7
103449601	14-21	103810201	6-5, 7-7	103978001	10-13
103459104	2-3	103812901	1-23	103978801	1-21
103470701	10-3	103813001	1-23	103979301	13-17
103477901	7-11	103821301	4-11	103982002	10-13
103483101	5-3, 5-5	103826201	6-7, 7-9	103982301	14-17
103483102	5-3, 5-5	103826301	6-7, 7-9	103984601	12-5, 12-7
103483201	5-3, 5-5	103829401	7-5	103989501	13-17
103483401	5-3, 5-5	103832901	1-19	103990503	1-3
103483601	5-3, 5-5	103833601	1-19	103990601	1-3
103483701	5-3, 5-5	103833701	1-19	103991501	4-5
103508101	9-5	103833801	1-19	103995001	13-17
103508501	14-11	103833901	1-19	104005901	14-15
103510602	14-13	103853121	1-21, 1-47	104006101	14-15
103528701	5-7	103853122	1-21, 1-47	104008001	1-25
103528702	5-7	103853124	1-21, 1-47	104008002	1-27
103535001	5-7	103853125	1-21, 1-47	104008003	1-29
103572501	15-3	103866801	1-47	104008501	1-31
103582801	16-3	103866802	1-47	104008502	1-33
103597101	4-3	103866901	1-47	104008901	1-31
103635201	1-13	103866902	1-47	104008902	1-33
103638601	6-11	103866903	1-49	104021701	13-17
103638701	6-11	103866904	1-49	104023201	14-5
103638702	6-11	103872701	17-15, 17-17	104023421	1-19
103638801	6-11	103874111	5-15	104023422	1-19
103638901	1-3	103879701	13-11	104023424	1-19
103647402	14-9	103881201	1-33	104023425	1-19
103647403	14-9	103886601	13-5	104023501	10-13, 13-9
103653001	1-47	103896607	10-7	104024001	14-5, 14-17
103679701	6-7, 7-9	103921601	6-13, 6-15	104024501	17-3, 17-5, 17-7, 17-9, 17-11, 17-15, 17-17, 17-19, 17-21
103694501	2-3	103921602	6-13, 6-15	104024601	17-3, 17-5, 17-7, 17-9, 17-11, 17-15, 17-17, 17-19, 17-21
103699401	1-21	103923601	1-5, 4-3	104025101	12-9
103724501	6-3	103924801	8-5, 14-5	104027101	13-17
103724503	7-3, 7-5	103926603	1-3	104028901	17-3, 17-5, 17-7, 17-9, 17-11
103724601	6-3, 7-3	103929301	1-21	104029001	17-3, 17-5, 17-7, 17-9, 17-11
103724602	7-5	103929302	1-21	104029301	17-15, 17-17, 17-19, 17-21
103724901	6-3, 7-3	103933902	4-3	104029601	17-3, 17-7
103725601	1-33	103935601	6-11	104029602	17-9
103742207	7-13	103943401	5-15, 14-3	104029603	17-11
103742304	6-15, 6-17, 7-13	103951002	2-3	104029604	17-5
103742305	6-13	103951501	13-17	105003601	17-3, 17-5, 17-7, 17-9, 17-11
103742307	7-13	103952901	1-21	105003701	17-3, 17-5, 17-7, 17-9, 17-11
103750001	1-31, 1-33, 1-41	103964901	6-13, 6-15	105005001	14-17
103750101	1-31, 1-33, 1-41	103965001	6-13, 6-15	105005402	1-15
103756401	10-7	103971798	14-9, 14-11	105009001	10-17
103765601	14-9	103971799	14-9, 14-11	105025001	13-11
103774701	14-13	103973901	12-7	105025101	13-11
103774801	1-33	103973902	12-5	105025201	13-11
103775201	1-33	103974102	12-3	105025301	13-11
103775601	1-33	103974201	12-5, 12-7	105025401	13-11
103777601	5-9, 5-11, 5-13, 5-15, 8-3	103974401	12-5, 12-7	105025501	13-11
103783001	3-3, 6-3, 7-3	103974815	5-9		
103783002	3-3, 6-3, 7-3	103974821	5-11, 5-13		

INDEX

105025601	13-11	105037701	13-3	105143301	10-3
105025701	13-11	105038501	13-3	105144401	10-13, 13-9
105025801	13-11	105038801	13-5	105152301	4-5
105025901	13-11	105039801	13-3	105161701	8-7
105026001	13-11	105040401	13-3	105166801	14-15
105026101	13-11	105040901	13-7	105166901	14-15
105026201	13-11	105041101	13-3	105167001	14-15
105026301	13-11	105043801	10-5	105167101	14-15
105026401	13-11	105043901	10-5	105168501	14-15
105026501	13-11	105049001	6-5, 7-7	105168601	14-15
105026601	13-11	105066001	13-15	105187901	6-11
105026701	13-11	105066101	13-15	105188185	6-13, 6-15, 6-17, 7-13
105026801	13-11	105067501	3-3	105188701	6-17, 7-13
105026901	13-11	105068201	17-13	105223321	1-19
105027001	13-11	105068202	17-13	105223322	1-19
105027101	13-11	105068601	6-5, 7-7	105223323	1-19
105027201	13-11	105070101	17-3, 17-7, 17-13	105223327	1-19
105027301	13-11	105070102	17-9, 17-13	105223328	1-19
105027401	13-13	105070103	17-11, 17-13	105223329	1-19
105027501	13-13	105070501	3-3	105223421	1-21
105027601	13-13	105074101	13-3	105223422	1-21
105027701	13-13	105081501	8-5	105223423	1-21
105027801	13-13	105081601	8-5	105223427	1-21
105027901	13-13	105082601	17-19, 17-21	105223428	1-21
105028001	13-13	105082801	17-19, 17-21	105223429	1-21
105028101	13-15	105083001	17-15	105234801	13-11, 13-13
105028201	13-13	105083002	17-17, 17-21	105234901	13-11, 13-13
105028301	13-11	105084301	14-17, 17-19, 17-21	105237399	8-11
105028401	13-13	105084401	17-15, 17-19	105245801	12-3
105028501	13-11	105084402	17-17, 17-21	105267301	3-3
105028601	13-13	105084501	17-19, 17-21	105267401	3-3
105028701	13-13	105086801	17-15, 17-17, 17-19, 17-21	105267501	3-3
105028801	13-13	105086901	17-19, 17-21	105268501	1-49
105028901	13-13	105092301	17-3, 17-5, 17-7, 17-9, 17-11, 17-15, 17-17, 17-19, 17-21	105291501	1-13
105029001	13-13	105093101	17-3, 17-5, 17-7, 17-9, 17-11	105298501	17-19, 17-21
105029101	13-13	105094101	17-15, 17-17, 17-19, 17-21	105299001	17-15
105029201	13-13	105095201	17-3	105299101	17-15, 17-17
105029301	13-15	105096101	12-5, 12-7	105299601	17-15, 17-17
105029401	13-15	105096201	17-19	105300101	1-49
105029501	13-15	105101001	17-19, 17-21	105300801	17-15, 17-17
105029601	13-15	105101221	1-47	105307901	1-49
105029701	13-15	105101222	1-47	105308425	1-49
105029801	13-15	105101222	1-47	105308440	1-49
105029901	13-15	105101224	1-47	105310201	1-49
105030001	13-11	105101225	1-47	105310202	1-49
105030301	13-15	105102601	8-17	105310203	1-49
105030401	13-15	105114808	8-5	105310204	1-49
105030501	13-15	105116301	5-15, 14-3	105314001	1-13
105030601	13-15	105123801	17-3, 17-5, 17-7, 17-9, 17-11, 17-15, 17-17, 17-19, 17-21	105314101	1-13
105030701	13-11	105130201	8-5	105315201	17-15, 17-17
105030801	13-15	105135101	10-13, 13-7	47539338002	8-9
105030901	13-13	105137401	14-5, 14-17	47542195001	5-3, 5-5
105031001	13-15	105142401	2-3	47554735001	4-13
105037101	4-7	105142501	4-3	47554736001	4-13
105037501	13-3	105142502	4-3	47555612001	4-13
105037601	13-3			47557751001	4-13

INDEX

47559475001	8-7	47568674001	1-43	47590808001	2-5
47559475002	8-7	47568674002	1-43, 17-17	47592393001	3-3
47560030001	14-19	47568675001	1-43	47592811001	1-43
47560464001	10-7	47568676001	1-43, 17-17	47592812001	1-41
47560765001	10-17	47568677001	1-43	47594727001	4-3, 4-9
47561648004	2-5	47570464001	1-35	47598099001	9-5
47561649004	2-5	47570464002	1-37	47598441001	4-7
47562947004	2-5	47570464003	1-39	47600218001	12-9
47562948004	2-5	47576196001	6-17, 7-13	47601355001	10-13
47562949001	2-5	47576197001	7-13	47601767001	12-9
47562951001	2-5	47576198001	7-13	47603899001	7-13
47563300001	1-43	47576648001	7-13	47603900001	7-13
47563300002	1-43	47576649001	6-19, 7-15	47604229001	8-15
47563301001	1-43	47576650001	6-19, 7-15	47604230001	14-19
47563302001	1-43	47576651001	6-19, 7-15	47604303001	4-11
47563304001	1-43	47576652001	6-19, 7-15	47606837001	17-13
47563305001	1-43	47576652002	6-19, 7-15	47606837002	17-3, 17-5, 17-13
47563306001	1-45, 17-17	47577864001	6-19, 7-15	47610134002	10-3
47563307001	1-45	47577865001	6-19, 7-15	47610135001	10-3
47564782001	1-43	47578327001	1-43	47610136001	10-17
47564783001	1-43	47579096001	6-13, 6-15, 6-17, 7-13	47611209001	11-3
47564784001	1-43	47579669001	1-5	47611210001	11-3
47564785001	1-43	47581051001	1-43	47611483001	9-5
47564786001	1-43	47582821001	1-35, 1-37, 1-39	47611484001	9-5
47564787001	1-43	47582821002	1-35, 1-37, 1-39	47611648001	9-5
47564787002	1-43	47583000001	8-7	47611868001	8-9
47564886021	1-45	47583112001	1-35, 1-37, 1-39	47611869001	8-9
47564886022	1-45	47583296001	1-7	47611870001	8-9
47564886024	1-45	47583296002	1-7	47611876001	10-3
47564886025	1-45	47583297001	1-23	47611877001	10-3
47564887021	1-45	47583297002	1-23	47612314001	17-13
47564887022	1-45	47583665001	6-17	47612314002	17-13
47564887024	1-45	47583666001	6-17	47612315002	17-13
47564887025	1-45	47583790001	8-7	47612316001	17-13
47564888021	1-47	47583791001	8-7	47612316002	17-13
47564888022	1-47	47583794001	8-7	47612317002	17-13
47564888023	1-47	47583795001	9-7	47612318002	17-13
47564888024	1-47	47583912001	6-17	47612352001	10-11
47564888025	1-47	47584178001	8-7	47612535001	8-5
47564888026	1-47	47584179001	8-7	47612537001	8-5
47564888027	1-47	47584184001	9-7	47613414002	4-7
47564888028	1-47	47586040001	3-3	47613414005	4-7
47564888029	1-47	47586191001	3-3	47613414006	4-7
47564889021	1-47	47586323001	8-3	47613414007	4-7
47564889022	1-47	47587701001	9-7	47614711001	4-13
47564889023	1-47	47587715001	8-15	47615815001	10-17
47564889024	1-47	47589919201	1-23	47617345001	8-9
47564889025	1-47	47589919203	1-23	47622330001	10-5
47564889026	1-47	47589919204	1-23	47623281001	8-11
47564889027	1-47	47589919207	1-23	47623339001	10-5
47564889028	1-47	47589919208	1-23	47624766001	1-43
47564890001	9-7	47589919301	1-23	47629583001	9-21
47566405001	7-11	47589919302	1-23	47629585001	9-21
47566411001	7-11	47589919303	1-23	47629588001	9-21
47568672001	1-43	47589919305	1-23	47629589001	9-21
47568673001	1-43	47589919306	1-23	47629677001	9-17

INDEX

47629680001	9-17	47629845001	9-11	47684368001	10-3
47629682001	9-17	47629846001	9-11	47684368002	10-3
47629685001	9-17	47629847001	9-11	47689303001	14-9, 14-11
47629686001	9-17	47629848001	9-11	96704176	4-9
47629687001	9-17	47629851001	9-11	96705199	10-3
47629688001	9-17	47629853001	9-11	96705587	11-3
47629689001	9-17	47629855001	9-11	96741046	9-5
47629690001	9-17	47629856001	9-11		
47629691001	9-17	47629857001	10-9	A	
47629693001	9-17	47629858001	10-9	A-arm, lower	7-11
47629694001	9-17	47629859001	10-9	A-arm, three-piece	6-9
47629696001	9-17	47629860001	10-9	A-arm, upper	7-11
47629697001	9-17	47629861001	10-9	absorber, front shock	6-9, 7-11
47629698001	9-17	47629862001	10-9	absorber, rear shock	6-13, 6-15, 6-17, 7-13
47629699001	9-19	47629864001	10-9	AC cord	17-13
47629700001	9-19	47629865001	10-9	accelerator cable	10-13
47629701001	9-19	47629866001	10-9	accelerator pedal	5-9, 5-11, 5-13, 5-15, 8-3
47629702001	9-13, 9-19	47629867001	10-9	accelerator pedal adjustment tool	18-3
47629703001	9-19	47629868001	10-9	access panel	1-23
47629705001	9-19	47629869001	10-9	adapter	
47629707001	9-19	47629870001	10-9	cable (IQDM)	18-7
47629709001	9-19	47629871001	10-9	adhesive, guide ring	18-3
47629711001	9-15	47629872001	10-9	air cleaner assembly	10-17
47629714001	9-15	47629874001	10-9	air filter	9-3, 10-17
47629716001	9-15	47629875001	10-11	air filter canister evacuation valve	10-17
47629717001	9-15	47629876001	10-11	air intake cover	10-17
47629718001	9-15	47629877001	10-11	air intake hose	10-17
47629719001	9-15	47629878001	10-11	arbor	18-3
47629720001	9-15	47629879001	10-15	arm	
47629722001	9-15	47629880001	10-15	governor	10-13, 13-9
47629723001	9-15	47629881001	10-15	armature	15-3
47629724001	9-15	47629882001	10-15	armrest	1-19
47629725001	9-15	47640020001	9-19	assembly	
47629726001	9-15	47640021001	9-13	brake lever	5-3, 5-5
47629727001	9-15	47640281001	9-3, 9-13	drive hub	12-5, 12-7
47629728001	9-15	47643352001	4-3	frame and field (motor)	15-3
47629729001	9-15	47643352002	4-3	fuel cap	10-3
47629730001	9-15	47643624002	10-3	moveable-face	12-5, 12-7, 12-9
47629768001	9-15	47645493001	8-13	secondary clutch weight	12-5, 12-7
47629822001	9-15	47649808001	11-3	axle	16-3
47629823001	9-15	47649808002	11-3	axle guard	16-5
47629824001	9-15	47650647001	9-13	axle shaft	13-15
47629825001	9-15	47652014001	1-9	axle shaft oil seal	16-3
47629826001	9-13	47653531001	1-43	axle tube	13-15, 16-3
47629828001	9-13	47655301001	17-5, 17-13		
47629831001	9-13	47655301002	17-13	B	
47629832001	9-13	47655301003	17-13	backing plate, brake	5-3, 5-5
47629833001	9-13	47655585001	3-3	backrest	1-45
47629834001	9-13	47655585002	3-3	backrest, beige	1-21, 1-47
47629835001	9-13	47662588001	13-19	backrest, black	1-21, 1-47
47629836001	9-13	47664335001	9-13	backrest, gray	1-21, 1-47
47629837001	9-13	47666603001	9-9	backrest, white	1-21, 1-47
47629838001	9-13	47674563001	10-3	bag hoop	1-21
47629841001	9-13	47674563002	10-3	bag strap	1-21
47629843001	9-13	47676897001	9-13	bag strap buckle	1-21
47629844001	9-11	47677930001	14-11		

INDEX

- ball bearing 8-7, 13-13, 13-15
 - ball joint, inner 6-7, 7-9
 - ball, bearing 7-11
 - barrel, plastic 1-21, 1-43, 1-47, 5-9, 5-11, 5-13, 5-15, 8-13
 - battery
 - 8-volt, GC8 14-9
 - battery charger 17-3, 17-5, 17-7, 17-9, 17-11, 17-15
 - battery charger wire harness
 - onboard 14-17, 17-19, 17-21
 - battery clamp 8-11
 - battery discharge machine 18-3
 - battery hold-down 14-9, 14-11
 - battery terminal protector spray 18-3
 - battery thermometer 18-3
 - battery, 12-volt, top-post 8-11
 - bead, ferrite 14-21
 - bearing 16-3
 - ball 7-11, 8-7, 13-13, 13-15
 - ball (motor) 15-3
 - inner axle tube 16-3
 - thrust 13-11
 - bearing and oil seal remover 18-3
 - bearing driver set 18-3
 - bearing puller 18-3
 - bearing puller wedge 18-3
 - beauty panel, front 1-7
 - bellows, steering 6-7, 7-9
 - belt, drive 12-3
 - body
 - front 1-7
 - under 1-13
 - body kick plate 1-15
 - body kick plate (ele) 1-17
 - bolt
 - battery, "S" hold-down 14-9, 14-11
 - boot, switch 4-13, 8-13, 14-7
 - bottom, seat 1-45
 - Bracket 8-13
 - bracket
 - accel.cable 10-13, 13-7
 - canopy support 1-31, 1-33
 - clamshell 1-13
 - equalizer 5-7
 - FNR cable 10-13, 13-7
 - governor 10-13, 13-9
 - jounce bumper 7-13
 - seat support 1-47
 - shock mounting, drv 6-13, 6-15
 - shock mounting, pas 6-13, 6-15
 - snubber 9-7
 - Bracket, Fuel 10-3
 - Bracket, Seat Back, Front, Top, CSMR 1-43
 - brake adjusting mechanism 5-3, 5-5
 - brake adjustment tool 18-3
 - brake backing plate 5-3, 5-5
 - brake cable 5-7
 - brake cable release tool 18-3
 - brake cluster 5-3, 5-5
 - brake drum 5-3, 5-5
 - brake lever 5-3, 5-5
 - brake pedal 5-9, 5-11, 5-13, 5-15
 - brake pedal adjustment tool 18-3
 - brake pedal tension tool 18-3
 - brake rod 5-9, 5-11, 5-13, 5-15
 - brake self-adjusting mechanism 5-3, 5-5
 - brake shoe 5-3, 5-5
 - brake spring 5-3, 5-5
 - breather 13-11, 16-3
 - brow 1-7
 - brow cap 1-7
 - brush 15-3
 - brush box assembly 15-3
 - brush rigging 15-3
 - brush spring 15-3
 - buckle, bag strap 1-21
 - bulb, headlight 4-3
 - bulb, turn signal 4-3
 - bumper 1-49
 - drive unit (motor) 15-3
 - jounce 6-17, 7-13
 - Bumper, Shock Plug 1-5, 4-3
 - bushing 6-9, 6-11, 6-19, 7-15, 12-5, 12-7, 13-3
 - urethane 6-13, 6-15, 6-17, 7-13
 - button, drive 12-9
 - buzzer, reverse 4-5, 4-7
- ## C
- cable
 - accelerator 10-13
 - brake 5-7
 - FNR shifter 13-5
 - governor 10-13
 - IQDM 18-7
 - calibration test module 18-3
 - cam
 - driven clutch 12-9
 - cam installation tool 18-3
 - cam, neutral lockout 13-3
 - canister, carbon, fuel tank 10-7
 - canopy 1-25, 1-27, 1-35, 1-39
 - canopy drain cover 1-25, 1-27, 1-29
 - canopy handle 1-25, 1-27
 - canopy strut, front, lh 1-31, 1-33, 1-41
 - canopy strut, front, rh 1-31, 1-33, 1-41
 - canopy support 1-31, 1-33
 - canopy support bracket, drv 1-21
 - canopy support bracket, pas 1-21
 - canopy support cover, drv 1-9, 1-31, 1-33, 1-41
 - canopy support cover, pas 1-9, 1-31, 1-33, 1-41
 - cap
 - center 2-5
 - dust 4-5
 - front hub 6-11, 7-11
 - fuel, gas, ratchet 10-3
 - key switch 4-5, 4-7
 - rubber 13-17
 - cap, hub, 7 prong 2-3
 - cap, SAM 1-9
 - carbon canister 10-7
 - card, safety first 18-9
 - case
 - gear 16-3
 - transaxle 13-11
 - CE mark ferrite bead, Fair-rite 14-21
 - CE mark ferrite bead, TDK 14-21
 - center cap 2-5
 - center shaft 13-13
 - charger bezel tool 18-3
 - charger receptacle 14-5, 14-17
 - charger, battery, Hi-Freq 17-3, 17-5, 17-7, 17-9, 17-11, 17-15
 - clamp
 - battery 8-11
 - hose 10-7, 10-17
 - leaf spring 6-11, 7-11
 - p- (fuel filter) 10-3, 10-13
 - clamshell bracket 1-13
 - clip
 - body trim 1-13, 1-23
 - meter 4-7
 - clip, score card 6-3, 7-3
 - cluster, brake 5-3, 5-5
 - clutch
 - pin 13-13
 - clutch removal tool 18-3
 - clutch repair kit 12-9
 - clutch tool kit 18-5
 - clutch weight 12-5, 12-7
 - clutch, drive 12-5, 12-7
 - collar 13-13
 - comfort grip steering wheel 7-3
 - comfort grip steering wheel kit 7-3
 - communication display module 18-5
 - component mounting plate 14-17
 - compression gauge 18-5
 - compressor, piston ring 18-9
 - compressor, valve spring 18-11
 - continuity tester 18-5
 - controller shield 14-17
 - controller, motor speed
 - Excel w/Hi-Freq 14-17
 - cord reel 17-15, 17-17, 17-19, 17-21
 - cord set, DC 17-3, 17-7, 17-9, 17-11, 17-13
 - cord, AC 17-13
 - cord, DC 17-15, 17-19
 - counter shaft 13-13

INDEX

cover

- air intake 10-17
 - canopy drain 1-25, 1-27, 1-29
 - DC terminal block 17-3, 17-5, 17-7, 17-9, 17-11, 17-15, 17-17, 17-19, 17-21
 - dust 5-3, 5-5
 - support, canopy, drv 1-9, 1-31, 1-33, 1-41
 - support, canopy, pas 1-9, 1-31, 1-33, 1-41
 - USB 17-3, 17-5, 17-7, 17-9, 17-11, 17-15, 17-17, 17-19, 17-21
- cover plate 15-3
- cover, steering column 4-3
- cushion, shock absorber 6-13, 6-15, 6-17, 7-13
- cutter, valve seat 18-5

D

- dash 1-11
- dash support assembly 1-3, 6-9
- DC cord 17-15, 17-19
- DC cord set 17-3, 17-7, 17-9, 17-11, 17-13
- decal 3-3
 - box bed warning 1-49, 3-3
 - crush area warning 1-49, 3-3
 - filter log 14-15
 - four-passenger warning 3-3
 - frame ground warning 3-3
 - inspect log 14-15
 - maintenance/operate switch 3-3, 8-13
 - operating instructions 3-3, 6-3, 7-3
 - private speed mode 3-3
 - rollover warning 3-3
 - rotating parts 3-3
 - Run/Tow warning 3-3
 - warning 3-3
 - warning, Run/Tow 3-3
 - water exposure 3-3

- Decal, Batteries, Charger 3-3
- Decal, Batteries, Trojan, Cord 3-3
- deionizer 14-15
 - cartridge 14-15
- diesel tachometer probe 18-9
- differential 13-15
 - open 13-15
- differential drive unit 16-3
- differential gear 16-3
- differential gear set 13-15
- differential guard 16-5
- differential housing 16-3
- differential shaft 13-15
- drain channel 1-11
- drain plug 13-11
- drive belt 12-3
- drive button 12-9
- drive clutch 12-5, 12-7
- drive clutch button 12-5, 12-7
- drive clutch holder tool 18-5

- drive clutch hub puller 18-5
- drive clutch puller 18-5
- drive clutch spring 12-5, 12-7
- drive clutch weight 12-5, 12-7
- drive hub 12-5, 12-7
- drive unit bumper 15-3
- drive unit guard 16-5
- driven clutch button 12-9
- driven clutch cam 12-9
- driven clutch cam puller 18-5
- driven clutch puller plug 18-5
- driver, drive clutch 12-5, 12-7
- drum, brake 5-3, 5-5
- dry moly lubricant 18-7
- dual snubber 9-7
- dust cap 4-5
- dust cover 5-3, 5-5
- dust seal 6-7, 7-9

E

- end cap, motor 15-3
- end, tie rod 6-7, 7-9
- engine
 - air cleaner 10-17
 - air filter 9-3, 10-17
 - air intake hose 10-17
- equalizer 5-7
- Exhaust 11-3

F

- face, moveable 12-9
- fascia 1-7
- ferrite bead (CE), Fair-rite 14-21
- ferrite bead (CE), TDK 14-21
- filter
 - air 9-3, 10-17
- floor cover plate 5-9, 5-11, 5-13, 5-15
- floormat 1-13
- FNR handle 13-3
- FNR housing 14-7
- FNR shift lever 13-7
- FNR shifter base 13-3
- FNR shifter cable 13-5
- fold down seat 1-43
- frame and field assembly (motor) 15-3
- front body beauty panel 1-7
- front hub 6-11
- front suspension structure 6-9, 7-11
- Fuel Module, Hold-Down Ring 10-5
- fuse
 - 10-amp 8-5
 - 15-amp 14-5
 - 2-amp 8-5, 14-5
 - 30-amp 14-5, 14-17, 17-19, 17-21
 - 5-amp 8-5

G

- gas pedal assembly, anodized 5-11, 5-13
 - gas pedal assembly, anodized triac 5-9
 - gasket 13-11
 - air intake 10-17
 - liquid 16-3, 18-7
 - plug 16-3
 - seat 1-19
 - gauge, compression 18-5
 - gear
 - 17 tooth 13-13
 - 34 tooth 13-13
 - 52 tooth 13-13
 - 60 tooth 13-15
 - 62 tooth 13-13
 - differential 16-3
 - differential idler 16-3
 - differential output 16-3
 - governor 13-11
 - governor, 34 tooth 13-13
 - set, differential 13-15
 - gear yoke 18-7
 - gearcase 16-3
 - governor arm 10-13, 13-9
 - governor cable 10-13
 - governor gear shaft 13-11
 - governor shaft 13-11
 - grip, pencil 6-3, 7-3
 - guard, differential 16-5
 - guide pin 13-11
 - guide ring adhesive 18-3
- ## H
- handle, canopy 1-27
 - handle, FNR 13-3
 - Harness 17-5, 17-13
 - harness
 - Visage strut 4-13
 - Harness, Chgr 17-17, 17-21
 - harness, instrument panel 4-3, 4-5
 - Harness, Visage, Extension 4-13
 - harness, wire 4-3, 8-5, 14-5
 - harness, wire, onboard battery charger 14-17, 17-19, 17-21
 - headlamp 4-3
 - headlight bulb 4-3
 - hinge 14-9, 14-11
 - seat bottom 1-19
 - hinge, seat bottom 1-19
 - hip restraint 1-19
 - hip restraint, 4 pass 1-47
 - hold-down, battery 14-9, 14-11
 - hoop, bag 1-21
 - horn 4-3
 - hose

INDEX

air intake 10-17
 SPWS 14-13
 vent 10-7
Hose, Intake 10-17
housing
 3-pin 15-3
 differential 16-3
hub 6-11, 7-11, 13-17
hub cap 2-3, 6-11, 7-11
hub cap, 7 prong 2-3
hub, front 6-11
hydrometer 18-7

I

idler gear, differential 16-3
indicator, charger 4-5
inner ball joint 6-7, 7-9
inner frame snubber 9-7
input shaft 13-13, 16-3
instrument panel 4-5
instrument panel harness 4-3, 4-5
Insulation 1-9
intake cover 10-17
intermediate shaft 16-3
internal retaining ring pliers 18-7
IQ display module (IQDM) 18-7
isolator, shock damper 6-13, 6-15, 6-17, 7-13

J

J-clip 1-3, 6-13, 6-15
jounce bumper 6-17, 7-13
jounce bumper bracket 7-13

K

key
 driven clutch 12-9
 On/Off 4-5, 4-7
 square 12-9
key switch 4-5, 4-7
key switch cap 4-5, 4-7
kick plate 1-15
kick plate (ele) 1-17
king pin 6-11
kit
 3-pin housing 15-3
 ball joint, inner 6-7, 7-9
 bellows, steering, sona 6-7, 7-9
 brake cable 5-7
 brake pedal adjustment tool 18-3
 brake shoe retainer 5-3, 5-5
 canopy hardware 1-35, 1-37, 1-39
 clutch repair 12-9
 comfort grip steering wheel 7-3
 drive clutch button 12-5, 12-7
 drive clutch weight 12-5, 12-7

driven clutch button 12-9
front hub replacement 6-11, 7-11
hand pump, SPWS 14-15
hub cap 2-3
IQ display module (IQDM) 18-7
motor brush 15-3
motor brush spring 15-3
motor cover plate 15-3
motor speed sensor 15-3
motor terminal hardware 15-3
 relay, 48V 4-3
 SAM assembly 1-21
 seat bottom 1-19
 shock absorber 6-13, 6-15
 shock absorber cushion 6-13, 6-15
 shoe retainer 5-3, 5-5
 underbody cover 1-9
Kit, Front Struts 1-41
knob, light switch 4-3, 4-7

L

leaf spring, rear 6-13, 6-15, 6-17, 7-13
lever
 transaxle shift 13-7
light
 oil 4-7
 water quality 14-15
light switch 4-3, 4-7
light switch knob 4-3, 4-7
limit switch 8-17, 13-3
liquid gasket 16-3, 18-7
low oil warning light 4-7
lower A-arm 7-11
lubricant, dry moly 18-7
lubricant, moly-teflon 15-3, 18-7
lug nut 2-3, 2-5
lug stud 6-11, 13-17, 16-3

M

magnet, speed sensor 15-3
mat, floor 1-13
MCOR 5-15, 14-3
mechanism, brake adjusting 5-3, 5-5
meter clip 4-7
meter, volt ohm 18-11
module
 calibration test 18-3
 communication display 18-5
Module, ECU 9-13
moly-teflon lubricant 18-7
motor
 48-volt IQ 15-3
 motor brush kit 15-3
 motor brush spring kit 15-3
 motor bumper 15-3

motor end cap 15-3
motor magnet, speed sensor 15-3
motor speed controller
 Excel w/Hi-Freq 14-17
motor speed sensor 15-3
motor speed sensor kit 15-3
motor terminal hardware kit 15-3
motor wire harness 14-5
mounting plate, component 14-17
moveable-face 12-5, 12-7, 12-9

N

neutral lockout cam 13-3
nut, lug 2-3

O

oil seal 13-11
oil warning light, low 4-7
O-Ring, Fuel Module 10-5

P

paint, touch-up 18-7
panel
 access 1-23
 front body beauty 1-7
 SAM 1-21
panhard 6-19, 7-15
park brake release, anod 5-9, 5-11, 5-13, 5-15, 8-3
p-clamp (fuel filter) 10-3, 10-13
pedal assembly, gas, anodized 5-11, 5-13
pedal assembly, gas, anodized triac 5-9
pedal, accelerator 5-9, 5-11, 5-13, 5-15, 8-3
pedal, brake 5-9, 5-11, 5-13, 5-15
pencil grip 6-3, 7-3
pin
 bow tie locking 5-7
 clevis 5-7
 differential 13-15
 guide 13-11
 input shaft 13-13
 king 6-11
piston ring compressor 18-9
piston ring pliers 18-9
plate
 backing (brake) 5-3, 5-5
 component mounting 14-17
 cover 15-3
 floor cover 5-9, 5-11, 5-13, 5-15
 kick 1-15
 kick(ele) 1-17
Plate, Closure, Kohler 9-19
pliers
 internal retaining ring 18-7
 piston ring 18-9

INDEX

retaining ring 18-9
plug
 drain 13-11
 driven clutch puller 18-5
press weldment 18-5
protector spray, battery terminal 18-3
puller
 bearing 18-3
 clutch 18-3
 drive clutch 18-5
 drive clutch hub 18-5
 driven clutch cam 18-5
 seal 18-9

R

rack and pinion 6-7, 7-9
rear underbody support 1-21
receptacle 14-5, 14-17
reel cord 17-15, 17-17, 17-19, 17-21
reflector 1-7, 1-23, 1-43
regulator, voltage 8-11
relay 4-3
relay, 12-volt 4-7
relay, 48V 4-3
release, anod park brake 5-9, 5-11, 5-13, 5-15, 8-3
remover, bearing and oil seal 18-3
resistor assembly 14-17
restraint, hip, 4 pass 1-47
retainer
 brake shoe 5-3, 5-5
 shock absorber cushion 6-13, 6-15, 6-17, 7-13
retaining ring pliers 18-9
reverse buzzer 4-5, 4-7
rim (wheel) 2-3
ring
 retaining 12-5, 12-7, 12-9, 13-3, 13-11, 13-17
 spiral backup 12-5, 12-7
Rivet, Removable 1-23
rock guard 16-5
rocker switch 14-7
rod
 brake 5-9, 5-11, 5-13, 5-15

S

safety first card 18-9
SAM (structural accessory module) 1-21
SAM assembly kit 1-21
SAM cap 1-9
SAM panel 1-21
score card clip 6-3, 7-3
score card plate 6-3, 7-3
seal
 dust 6-7, 7-9

lip 16-3
oil 13-11, 16-3
seal puller 18-9
sealant 16-3
seat back 1-45
seat back, beige 1-21, 1-47
seat back, black 1-21, 1-47
seat back, gray 1-21, 1-47
seat back, white 1-21, 1-47
seat bottom 1-45
seat bottom kit 1-19
seat bracket 1-47
seat gasket 1-19
seat hinge 1-19
seat support bracket 1-47
seat support weldment 1-47
select shaft 13-11
sensor, motor speed 15-3
Sensor, Temperature 9-13
shaft
 axle 13-15
 center 13-13
 counter 13-13
 differential 13-15
 governor 13-11
 governor gear 13-11
 input 13-13, 16-3
 intermediate 16-3
 select 13-11
 shift 13-13
shield, charger 17-19, 17-21
shield, controller 14-17
shield, debris aux 5-9, 5-11, 5-13, 5-15
shield, debris primary 5-9, 5-11, 5-13, 5-15
shift lever 13-7
shift shaft 13-13
shock absorber (front) 6-9, 7-11
shock absorber (rear) 6-13, 6-15, 6-17, 7-13
shock absorber cushion 6-13, 6-15, 6-17, 7-13
shock absorber cushion retainer 6-13, 6-15, 6-17, 7-13
shock damper isolator 6-13, 6-15, 6-17, 7-13
shock mounting bracket, drv 6-13, 6-15
shock mounting bracket, pas 6-13, 6-15
shoe retainer kit 5-3, 5-5
shoe, brake 5-3, 5-5
sleeve 6-9, 6-11, 6-13, 6-15, 6-17, 6-19, 7-13, 7-15, 13-11
snubber bracket 9-7
snubber housing 9-9
snubber, dual 9-7
snubber, inner frame 9-7
solenoid, 12-volt 8-11
spacer 13-11, 13-13
speed controller
 Excel w/Hi-Freq 14-17

speed sensor 15-3
speed sensor magnet 15-3
speed sensor, motor 15-3
spindle 6-11, 7-11
spiral backup ring 12-5, 12-7
spray, battery terminal protector 18-3
spring 13-11
 brake 5-3, 5-5
 brush 15-3
 compression 6-3, 7-3
 drive button 12-5, 12-7
 drive clutch 12-5, 12-7
 forward/reverse cam 13-3
spring, leaf, rear 6-13, 6-15, 6-17, 7-13
SPWS hose 14-13
steering column bearing press tool 18-9
steering column cover 4-3
steering column retaining ring tool 18-9
steering wheel 6-3, 7-3, 7-5
steering wheel (comfort grip) kit 7-3
steering wheel puller tool 18-9
stem, valve 2-3
strap, bag 1-21
strut, angle, tie 1-47
strut, front canopy, lh 1-31, 1-33, 1-41
strut, front canopy, rh 1-31, 1-33, 1-41
stud
 lug 6-11, 13-17, 16-3
support, canopy 1-31, 1-33
support, underbody, rear 1-21
suspension, front structure 6-9, 7-11
switch
 key 4-5, 4-7
 light 4-3, 4-7
 limit 8-17, 13-3
 rocker 14-7
 Tow/Run 4-13, 14-7
switch rubber boot 4-13, 8-13, 14-7
switch, toggle 8-13

T

12-volt solenoid 8-11
tachometer 18-9
tachometer probe, diesel 18-9
Taillight 4-3
tester, continuity 18-5
thermometer, battery 18-3
three-piece A-arm 6-9
throttle, gas, Gen2, triac, sensor 5-9, 8-3
throttle, Gen2, no sensor 5-11, 5-13, 5-15
tie rod end 6-7, 7-9
tie rod extension 7-11
tie wrap 1-33, 4-3, 6-7, 7-9, 13-5, 14-21, 17-15
tire 2-3
toggle switch 8-13
tool

INDEX

accelerator pedal adjustment 18-3
belt tensioning, starter/generator 18-11
brake adjustment 18-3
brake cable release 18-3
brake pedal adjustment 18-3
brake pedal tension 18-3
cam installation 18-3
charger bezel 18-3
cT-wrench 18-5
drive clutch holder 18-5
steering column bearing press 18-9
steering column retaining ring 18-9
steering wheel puller 18-9
transaxle axle seal 18-9
transaxle pinion seal 18-9
transmission 18-9
tool kit, clutch 18-5
touch-up paint 18-7
Tow/Run switch 4-13, 14-7
transaxle (Electric Vehicle) 16-3
transaxle axle seal tool 18-9
transaxle guard 16-5
transaxle pinion seal tool 18-9
transaxle, open-diff (Gas Vehicle) 13-11
transmission tool 18-9
tube
 axle 13-15, 16-3
Tuflok 1-23
turn signal bulb 4-3
T-wrench tool 18-5

U

U-bolt 6-13, 6-15, 6-17, 7-13
underbody 1-13
underbody cover kit 1-9
underbody support, rear 1-21
upper A-arm 7-11
urethane bushing 6-13, 6-15, 6-17, 7-13
USB
 cover 17-3, 17-5, 17-7, 17-9, 17-11, 17-15,
 17-17, 17-19, 17-21
 port 14-19
USB cover 17-3, 17-5, 17-7, 17-9, 17-11, 17-15,
 17-17, 17-19, 17-21
USB port 14-19

V

valve seat cutter 18-5
valve spring compressor 18-11
valve stem 2-3
vent
 transaxle 13-11
vent, barb 10-7
volt ohm meter 18-11
voltage regulator 8-11

W

warning light, low oil 4-7
water quality light 14-15
wedge, bearing puller 18-3
weight
 clutch 12-5, 12-7
 secondary clutch 12-5, 12-7
weldment
 governor bracket 10-13, 13-9
 press 18-5
wheel 2-3
 center cap 2-5
 steering 6-3, 7-3, 7-5
wire
 green, starter/generator 8-7
 ground, fuel tank 10-3
wire harness 4-3, 8-5, 14-5
wire harness, Excel w/Hi-Freq, MCOR3 14-5
wire harness, onboard battery charger 14-17,
 17-19, 17-21
wrap, tie 1-33, 4-3, 6-7, 7-9, 13-5, 14-21, 17-15

Y

yoke, gear 18-7



Club Car, Inc.
P.O. Box 204658
Augusta, GA 30917-4658
USA

Web www.clubcar.com
Phone 1.706.863.3000
1.800.ClubCar
Int'l +1 706.863.3000
Fax 1.706.863.5808