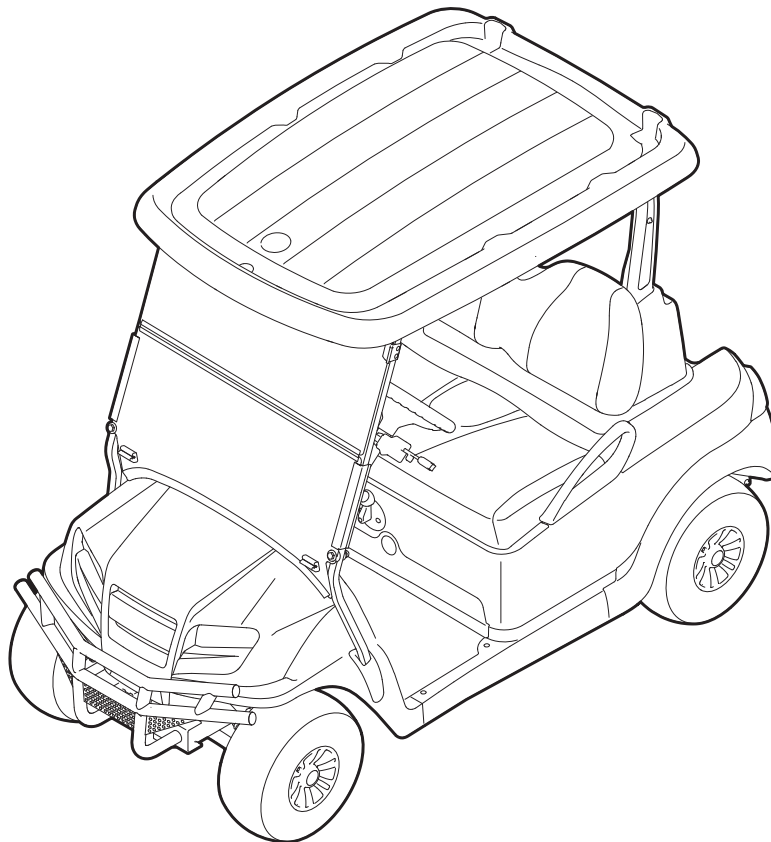




# 2019 Onward Illustrated Parts List



**Gasoline Vehicle with Kohler ECH440 Engine  
Electric Vehicle with ERIC Charging System**

Manual Number 47654100001  
Edition Code \_A



# USING THE ILLUSTRATED PARTS LIST

---

## **⚠ WARNING**

- **This manual is to be used only for identification and ordering of service parts. Be sure to read and use the maintenance and service manual before attempting any vehicle repairs.**

The manual is divided into sections. Note that there are two or three flags on the outside edge of each page. The first flag contains the section number of which that page is a part. The other flag (or flags) contains the letter E or G, signifying that the page pertains to electric or gasoline vehicles.

Use the Table of Contents to find the sections and pages that contain the parts and assemblies you seek. The Table of Contents lists section numbers, and under them, the individual page titles and numbers to be found in that section. The index can be used to find specific parts and assemblies. The index is divided into numerical and alphabetical listings with the page numbers in italic text.

There is a two-page spread for each individual page title in the Table of Contents. On the left-hand page is an illustration showing the parts in their relative positions; the parts are each tagged with an item number in a balloon. The right-hand page is the parts list page, and gives the page title at the top, then the item numbers (corresponding to the numbers on the illustration), part descriptions, and quantity of parts used. Some item numbers have more than one part number because several configurations of a component are represented together on one spread.

Note that a part description may be indented. This indentation corresponds to a parts assembly level indicated by the numbers 1, 2, 3, and 4 at the top left corner of the parts description area of the parts list page. A part that is indented to *level 2* is a component of the *level 1* part (assembly) that it is listed under. A *level 3* part is a component of the *level 2* part that it is listed under, and a *level 4* part is a component of the *level 3* part preceding it. In each case, the part quantity given for a level 2, 3, or 4 part is *the quantity used per next higher level assembly of which it is a component*. A part that is not indented is a *level 1* part. This means that the quantity given is the quantity used per the portion of the vehicle illustrated on that particular spread.



**P. O. Box 204658**  
**Augusta, Georgia 30917-4658 USA**  
**Telephone 706-863-3000**  
**Service Parts Fax 706-855-7413**  
**[www.clubcar.com](http://www.clubcar.com)**

## HOW TO ORDER PARTS

Replacement parts and accessories can be obtained from our network of authorized dealers and distributors. You can obtain the name and phone number of your closest authorized Club Car dealer or distributor by visiting our web site at [www.clubcardealer.com](http://www.clubcardealer.com), by calling our toll-free Service Parts and Technical Assistance hotline at (800) 872-2246 or (706) 863-3000, extension 3887, or by scanning this Quick Response (QR) code to be taken to the Club Car dealer locator. **Refer to Figure 1.** Download a QR code reader such as RedLaser or Barcode Scanner to your cell phone or tablet.



Figure 1 Dealer Locator QR Code

## CUSTOMER SATISFACTION SURVEY

Let your voice be heard!

Please take time to participate in the Technical Publications satisfaction survey. Obtaining feedback from our customers is important to the department's continuous improvement process. The online survey takes less than five minutes and responses will help the department to examine current performance as well as identify areas for future improvement.

Our top priority is to provide timely, accurate, and user friendly manuals.

The online satisfaction survey can be found at: <http://bit.ly/1w9uFMh>



Figure 2 Survey QR Code

**NOTE:** *This illustrated parts list represents the most current information at the time of publication. Club Car, LLC is continually working to further improve its vehicles and other products. These improvements may affect the parts used to service the vehicle. Any modification and/or significant change in specifications will be forwarded to all Club Car and Carryall distributors/dealers and will, when applicable, appear in future editions of this illustrated parts list.*

*Club Car, LLC reserves the right to change specifications and designs at any time without notice and without the obligation of making changes to units previously sold.*

Copyright © 2019 Club Car, LLC  
Club Car, Onward, and Surlyn  
are registered trademarks of Club Car,  
LLC This manual effective Jan 15, 2019.

# CONTENTS

## SECTION 1 – BODY AND TRIM

|  |      |
|--|------|
| Frame .....  | 1-3  |
| Brush Guards .....   | 1-5  |
| Grill Inserts .....  | 1-7  |
| Front Bumper .....   | 1-9  |
| Front Fenders .....  | 1-11 |
| Front Body .....   | 1-13 |
| Dash .....   | 1-15 |
| Floor Mat, Retainers, and Front Underbody .....                  | 1-17 |
| Kick Plate – Gasoline Vehicle .....                              | 1-19 |
| Kick Plate – Electric Vehicle .....                              | 1-21 |
| Seat Bottom with Hip Restraints .....                            | 1-23 |
| Seat Back, Backrest, and Structural Accessory Module (SAM) ..... | 1-25 |
| Rear Body .....  | 1-27 |
| Rear Valance .....   | 1-29 |
| Rear Fenders .....   | 1-31 |
| Receiver Hitch .....   | 1-33 |
| Canopies .....   | 1-35 |
| Canopy Struts .....  | 1-37 |
| Four-Passenger Canopy with Rear Struts – Black .....             | 1-39 |
| Four-Passenger Canopy with Rear Struts – White .....             | 1-41 |
| Four-Passenger Canopy with Rear Struts – Beige .....             | 1-43 |
| Front Strut Kit, Four-Passenger Canopy .....                     | 1-45 |
| Rear-Facing Seat Frame and Foot Deck – Consumer Car .....        | 1-47 |
| Rear-Facing Seat .....   | 1-49 |
| Hinged Windshield, Clear .....                                   | 1-51 |
| Hinged Windshield, Tinted .....                                  | 1-53 |
| Beverage Holder .....  | 1-55 |
| Bucket Storage .....   | 1-57 |
| Chair Holder .....   | 1-59 |
| Mirrors, Side .....  | 1-61 |
| Golf Bag Holder .....  | 1-63 |
| Overhead Storage .....   | 1-65 |
| Mirror, 5-Panel .....  | 1-67 |

## SECTION 2 – WHEELS AND TIRES

|   |     |
|---|-----|
| Tires – Onward .....                                      | 2-3 |
| Wheels – Onward .....                                     | 2-5 |
| Wheel and Tire Assemblies – Onward, Standard Height ..... | 2-7 |

# CONTENTS

---

|  |     |
|--|-----|
| Wheel and Tire Assemblies – Onward, Lifted ..... | 2-9 |
|--|-----|

## SECTION 3 – DECALS

---

|   |      |
|---|------|
| Decals – Electric and Gasoline Vehicles ..... | 3-3  |
| Decals – Electric Vehicle Only .....          | 3-5  |
| Decals – Gasoline Vehicle Only .....          | 3-7  |
| Decals – 4-Passenger Vehicle Only .....       | 3-9  |
| Decals – Badging .....                        | 3-11 |

## SECTION 4 – LIGHTS, CONTROLS AND INDICATORS

---

|   |      |
|---|------|
| Headlights – Onward .....                                   | 4-3  |
| Lighting System Components .....                            | 4-5  |
| Horn .....  | 4-7  |
| Instrument Panel – Electric Vehicle with ERIC Charger ..... | 4-9  |
| Battery Charge Indicator .....                              | 4-11 |
| Instrument Panel – ECH440 Gas Vehicle .....                 | 4-13 |
| Bluetooth Sound System .....                                | 4-15 |
| DC Converter – Electric Vehicle .....                       | 4-17 |
| Voltage Limiter – Gasoline Vehicle .....                    | 4-19 |
| Taillights .....  | 4-21 |

## SECTION 5 – BRAKES AND PEDAL GROUP ASSEMBLIES

---

|   |      |
|---|------|
| Rear Brakes, Self-Adjusting .....                         | 5-3  |
| Rear Brakes, Self-Adjusting – Gasoline Vehicles .....     | 5-5  |
| Brake Cables and Equalizer Bracket .....                  | 5-7  |
| Brake Cables and Equalizer Bracket – Lifted Vehicle ..... | 5-9  |
| Pedal Group with Sensor – Gasoline Vehicle .....          | 5-11 |
| Pedal Group w/o Sensor, Gasoline Vehicle .....            | 5-13 |
| Pedal Group w/o MCOR – Electric Vehicle .....             | 5-15 |
| Pedal Group with MCOR – Electric Vehicle .....            | 5-17 |

## SECTION 6 – STEERING, FRONT AND REAR SUSPENSION – STANDARD HEIGHT

---

|  |      |
|--|------|
| Steering Wheel, Comfort Grip with Clip ..... | 6-3  |
| Steering Wheel, Comfort Grip with Logo ..... | 6-5  |
| Steering Column .....                        | 6-7  |
| Steering Gear Assembly .....                 | 6-9  |
| Front Suspension, Upper .....                | 6-11 |
| Front Suspension, Lower .....                | 6-13 |

# CONTENTS

---

|   |      |
|---|------|
| Rear Suspension, Gasoline Vehicle .....   | 6-15 |
| Rear Suspension, Electric Vehicle .....   | 6-17 |
| Rear Suspension, Gasoline 4-Passenger – Consumer .....                            | 6-19 |
| Rear Suspension, Four Passenger Electric, Optional Two or Four Passenger HD ..... | 6-21 |
| Panhard Rod .....   | 6-23 |

## **SECTION 7 – STEERING, FRONT AND REAR SUSPENSION – LIFTED**

---

|  |      |
|--|------|
| Steering Wheel, Comfort Grip with Clip ..... | 7-3  |
| Steering Wheel, Comfort Grip with Logo ..... | 7-5  |
| Steering Column .....                        | 7-7  |
| Steering Gear Assembly .....                 | 7-9  |
| Front Suspension, Lifted .....               | 7-11 |
| Rear Suspension, Lifted .....                | 7-13 |
| Panhard Rod .....                            | 7-15 |

## **SECTION 8 – ELECTRICAL SYSTEM – ECH440**

---

|   |      |
|---|------|
| Accelerator Pedal Assembly w/Sensor – EFI .....         | 8-3  |
| Wiring Harnesses and Fuses .....                        | 8-5  |
| Starter/Generator, Key and Pedal Start – EFI .....      | 8-7  |
| Starter/Generator Mounting – ECH440 .....               | 8-9  |
| Battery, Solenoid, Voltage Regulator, Relay – EFI ..... | 8-11 |
| Maintenance/Operate Switch .....                        | 8-13 |
| USB Port Kit for Gas Vehicles .....                     | 8-15 |
| Forward/Reverse Shifter Switches – EFI .....            | 8-17 |

## **SECTION 9 – ENGINE (KOHLER ECH440)**

---

|   |      |
|---|------|
| Tune-Up Parts .....                             | 9-3  |
| Engine and Engine Mounting .....                | 9-5  |
| Engine Pan and Snubber Mounting .....           | 9-7  |
| Blower Housing and Heat Shield – ECH440 .....   | 9-9  |
| Ignition Components and Flywheel – ECH440 ..... | 9-11 |
| Cylinder Head and Valve – ECH440 .....          | 9-13 |
| Crankcase and Piston – ECH440 .....             | 9-15 |
| Oil Sensor and Lubrication – ECH440 .....       | 9-17 |
| Crankshaft – ECH440 .....                       | 9-19 |

## **SECTION 10 – FUEL SYSTEM – EFI**

---

|                  |      |
|------------------|------|
| Fuel Tanks ..... | 10-3 |
|------------------|------|

# CONTENTS

---

|   |       |
|---|-------|
| Fuel Pump and Fuel Filter Kits .....          | 10-5  |
| Carbon Canister – EFI .....                   | 10-7  |
| Throttle Body and Mounting .....              | 10-9  |
| Governor Bracket and Cover – EFI .....        | 10-11 |
| Governor and Accelerator Cables – EFI .....   | 10-13 |
| Air Intake Elbow – EFI .....                  | 10-15 |
| Air Filter System and Intake Hose – EFI ..... | 10-17 |

## **SECTION 11 – EXHAUST SYSTEMS – ECH440**

---

|                       |      |
|-----------------------|------|
| Exhaust Systems ..... | 11-3 |
|-----------------------|------|

## **SECTION 12 – DRIVE BELT AND CLUTCHES – EFI GASOLINE VEHICLES**

---

|   |      |
|---|------|
| Drive Belts – EFI .....                         | 12-3 |
| Drive Clutch – Key-Start Vehicles .....         | 12-5 |
| Drive Clutch – Pedal-Start Vehicles .....       | 12-7 |
| Driven Clutch – Key Start and Pedal Start ..... | 12-9 |

## **SECTION 13 – TRANSAXLE, FUJI ED65**

---

|   |       |
|---|-------|
| Forward/Reverse Shifter Assembly – EFI .....                | 13-3  |
| Shifter Cable .....   | 13-5  |
| Shift Lever and Bracket – Pedal-Start Engines .....         | 13-7  |
| Governor Arm and Brackets .....                             | 13-9  |
| Transaxle (ED65), Open – Page 1 of 3 .....                  | 13-11 |
| Transaxle (ED65), Limited Slip and Open – Page 2 of 3 ..... | 13-13 |
| Transaxle (ED65), Open – Page 3 of 3 .....                  | 13-15 |
| Hub, Rear .....   | 13-17 |
| Differential Guard, ED65 – Gasoline Vehicle .....           | 13-19 |

## **SECTION 14 – ELECTRICAL SYSTEM – EXCEL WITH HIGH FREQUENCY CHARGERS**

---

|   |       |
|---|-------|
| Motor Controller Output Regulator (MCOR) .....                | 14-3  |
| Wiring and Fuses – Lifted and Non-Lifted .....                | 14-5  |
| Forward/Reverse Switch and Tow/Run Switch .....               | 14-7  |
| Batteries and Battery Bucket, PD+ 8-Volt, Non-Lifted .....    | 14-9  |
| Batteries and Battery Bucket, PD+ 8-Volt – Lifted .....       | 14-11 |
| Single Point Watering System, 8V .....                        | 14-13 |
| Hand Pump and Deionizer (Battery-Powered Quality Light) ..... | 14-15 |
| Controller, Solenoid and Wiring .....                         | 14-17 |
| Controller, Solenoid and Wiring – Lifted .....                | 14-19 |



# CONTENTS

---

|  |       |
|--|-------|
| USB Port Kit for Electric Vehicles ..... | 14-21 |
|--|-------|

## **SECTION 15 – ELECTRIC MOTOR**

---

|  |      |
|--|------|
| Motor (Model EJ8-4001A) – Electric Vehicle ..... | 15-3 |
|--|------|

## **SECTION 16 – TRANSAXLE – ELECTRIC VEHICLES**

---

|  |      |
|--|------|
| Transaxle – Electric Vehicles .....          | 16-3 |
| Differential Guard – Electric Vehicles ..... | 16-5 |

## **SECTION 17 – BATTERY CHARGERS – HIGH-FREQUENCY**

---

|  |       |
|--|-------|
| JCI Battery Charger, High-Frequency – U.S./Canada .....    | 17-3  |
| Battery Charger, High-Freq., 2.74 m DC Cord – Global ..... | 17-5  |
| Battery Charger, High-Freq., 3.66 m DC Cord – Global ..... | 17-7  |
| Battery Charger, High-Freq., 6.1 m DC Cord – Global .....  | 17-9  |
| Cords – Battery Charger, High-Frequency .....              | 17-11 |
| Battery Charger, High-Frequency – Onboard .....            | 17-13 |

## **SECTION 18 – MAINTENANCE AND SERVICE TOOLS**

---

|  |      |
|--|------|
| Maintenance and Service Tools .....            | 18-3 |
| Maintenance and Service Tools, Continued ..... | 18-5 |
| Maintenance and Service Tools, Continued ..... | 18-7 |

## **SECTION i – INDEX**

---



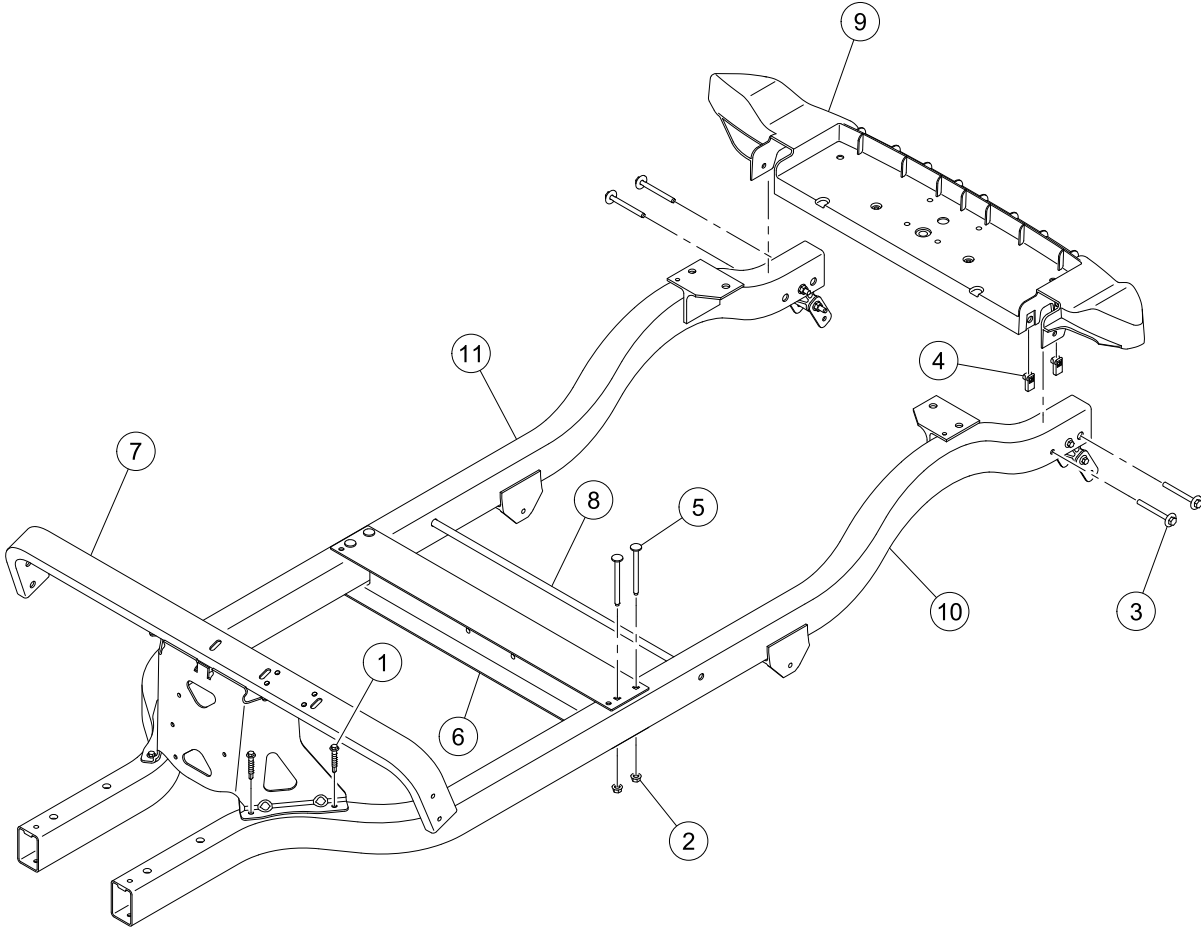
# BODY AND TRIM

---

1

G

E



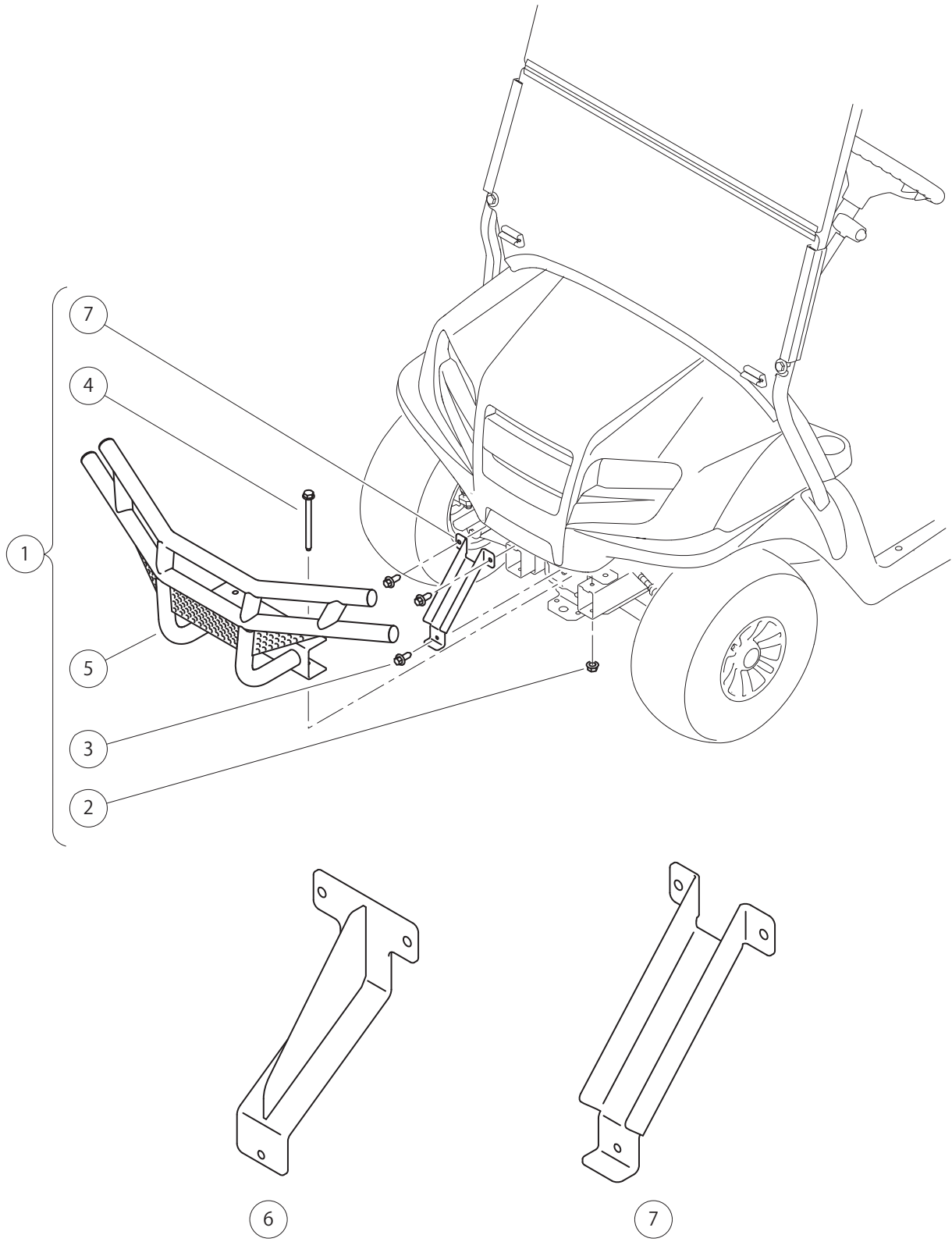
G-010099-000004

# FRAME

| ITEM | PART NO.  | DESCRIPTION                                     | QTY |
|------|-----------|---|-----|
|      |           | <b>1 2 3 4</b>                                  |     |
| 1    | 102292101 | Screw-5/16 X 1.5 Tek .....                      | 4   |
| 2    | 102298401 | Nut,m8,all Metal Lock .....                     | 4   |
| 3    | 102298580 | M8-1.25 X 80 Sems .....                         | 4   |
| 4    | 102298601 | J-clip - M8 X 1.25 .....                        | 4   |
| 5    | 102298995 | Bolt, Wafer Head, M8-1.25x95 .....              | 4   |
| 6    | 102505401 | Xmbr-middle .....                               | 1   |
| 7    | 102505701 | Assembly, Dash Support .....                    | 1   |
| 8    | 103638901 | Rod, .5 Od X 26.26 .....                        | 1   |
| 9    | 103926603 | Rear Cross Member, Csmr, Sp .....               | 1   |
| 10   | 103990503 | Weldment, Frame, Csmr, Driver-side .....        | 1   |
| 11   | 103990601 | Weldment, Frame, Passenger-side .....           | 1   |
|      |           | Note: Item 8 applies to electric vehicles only. |     |

**1**  
**G**  
**E**

**1**  
**G**  
**E**



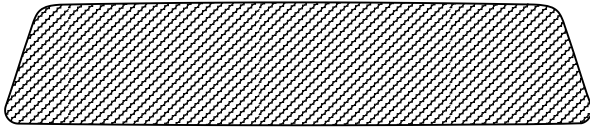
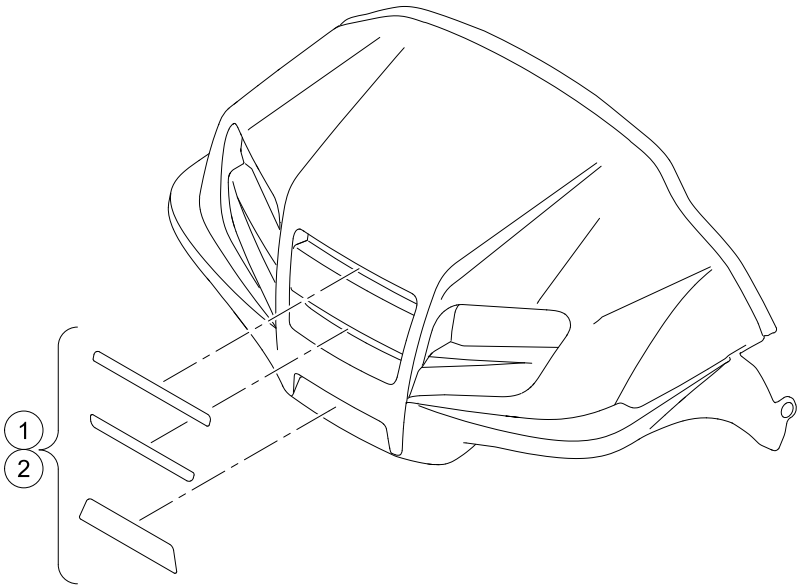
001297-002

# BRUSH GUARDS

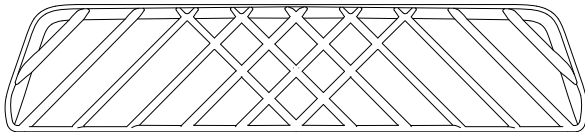
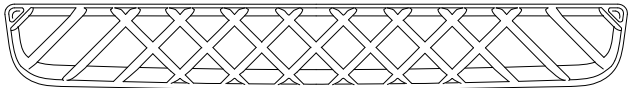
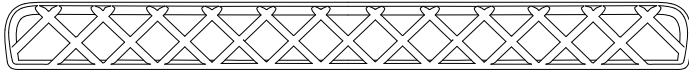
| ITEM | PART NO.    | DESCRIPTION   | QTY |
|------|-------------|---|-----|
|      |             | 1 2 3 4   |     |
| 1    | 47577561001 | Kit, Brush Guard, Non-Lifted (includes items 2 through 7) .....                           | 1   |
| 2    | 102298401   | Nut, M8, All Metal Lock .....   | 2   |
| 3    | 102298720   | Screw, M8-1.25x20, Taptite .....  | 3   |
| 4    | 102534201   | Bolt - Fl Hd, M8 X 95 .....   | 2   |
| 5    | 47578016001 | Asm, Brush Guard Res .....  | 1   |
| 6    | 47578438001 | Bracket, Cowl/bumper, Brushgrd .....  | 1   |
| 7    | 47636151001 | Bracket, Cowl/bumper, Brushgrd .....  | 1   |
| 8    | 47577561002 | Kit, Brush Guard, Lifted (includes items 9 through 11) .....                              | 1   |
| 9    | 102298401   | Nut, M8, All Metal Lock .....   | 2   |
| 10   | 102534201   | Bolt - Fl Hd, M8 X 95 .....   | 2   |
| 11   | 47578016001 | Asm, Brush Guard Res .....  | 1   |
|      |             | Note: Item 7 is the field replacement for item 6. Items 8 through 11 are not illustrated. |     |



**1**  
**G**  
**E**



1



2

G-160299-000008

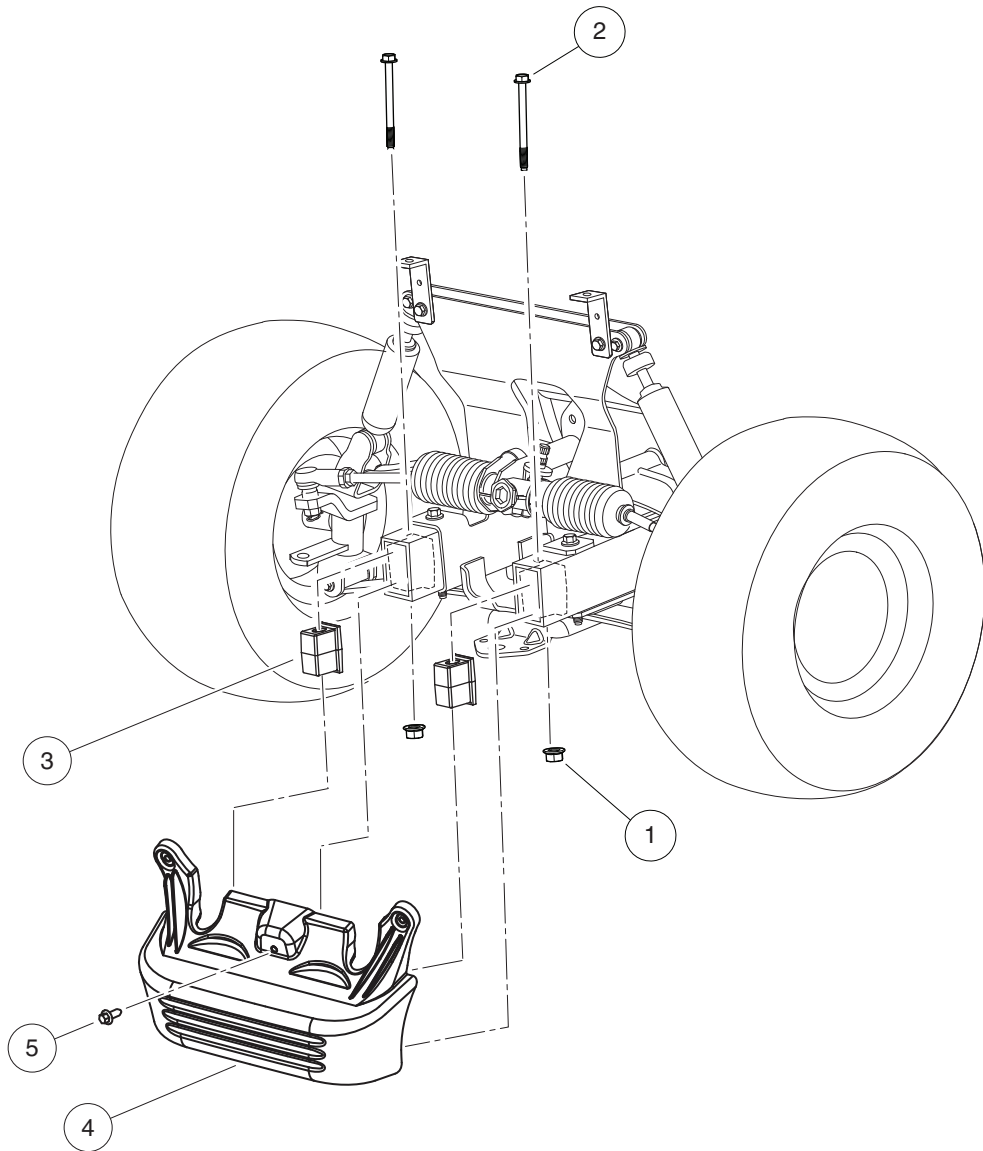


# GRILL INSERTS

| ITEM | PART NO.    | DESCRIPTION                        | QTY |
|------|-------------|------------------------------------|-----|
| 1    | 47649254001 | 1 2 3 4<br>Kit, Grill Insert ..... | 1   |
| 2    | 47659500001 | Kit, Grill Insert .....            | 1   |

**1**  
**G**  
**E**

**1**  
**G**  
**E**



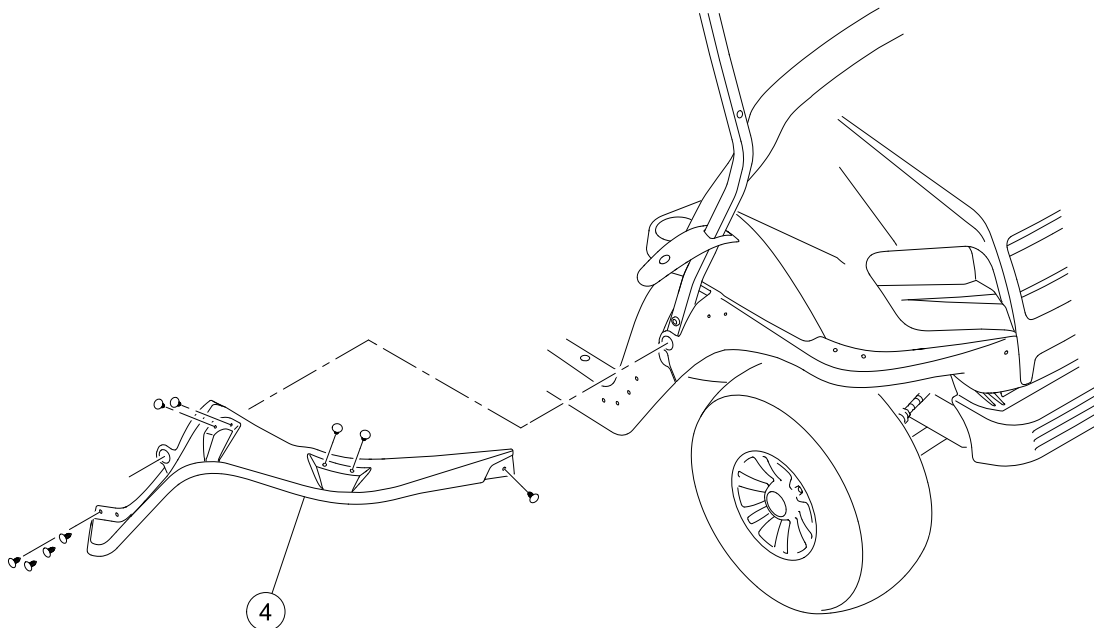
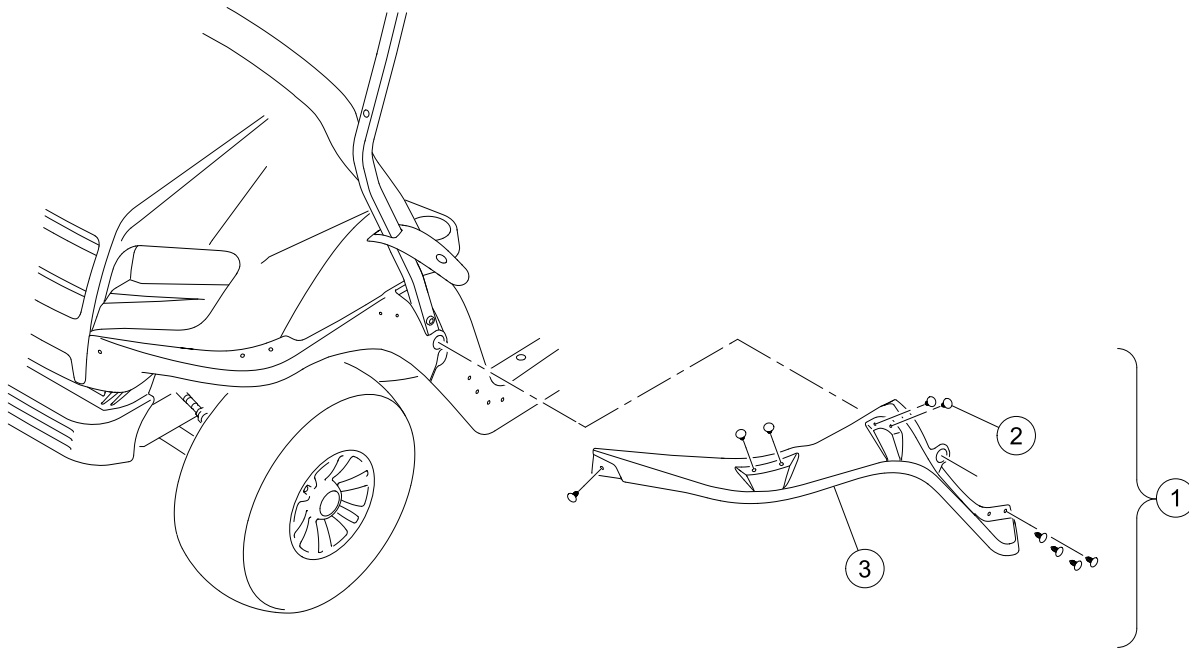
001299-001

# FRONT BUMPER

| ITEM | PART NO.    | DESCRIPTION                          | QTY |
|------|-------------|--------------------------------------|-----|
|      |             | <b>1 2 3 4</b>                       |     |
| 1    | 102298401   | Nut,m8,all Metal Lock .....          | 2   |
| 2    | 102534201   | Bolt - Fl Hd, M8 X 95 .....          | 2   |
| 3    | 103325001   | Plug, Shock, Bumper .....            | 2   |
| 4    | 103923601   | Bumper, Prec Fleet, W/light .....    | 1   |
| 5    | 47579669001 | Screw, 3/8 Hex & Hex Washer Hd ..... | 1   |

1  
G  
E

**1**  
**G**  
**E**



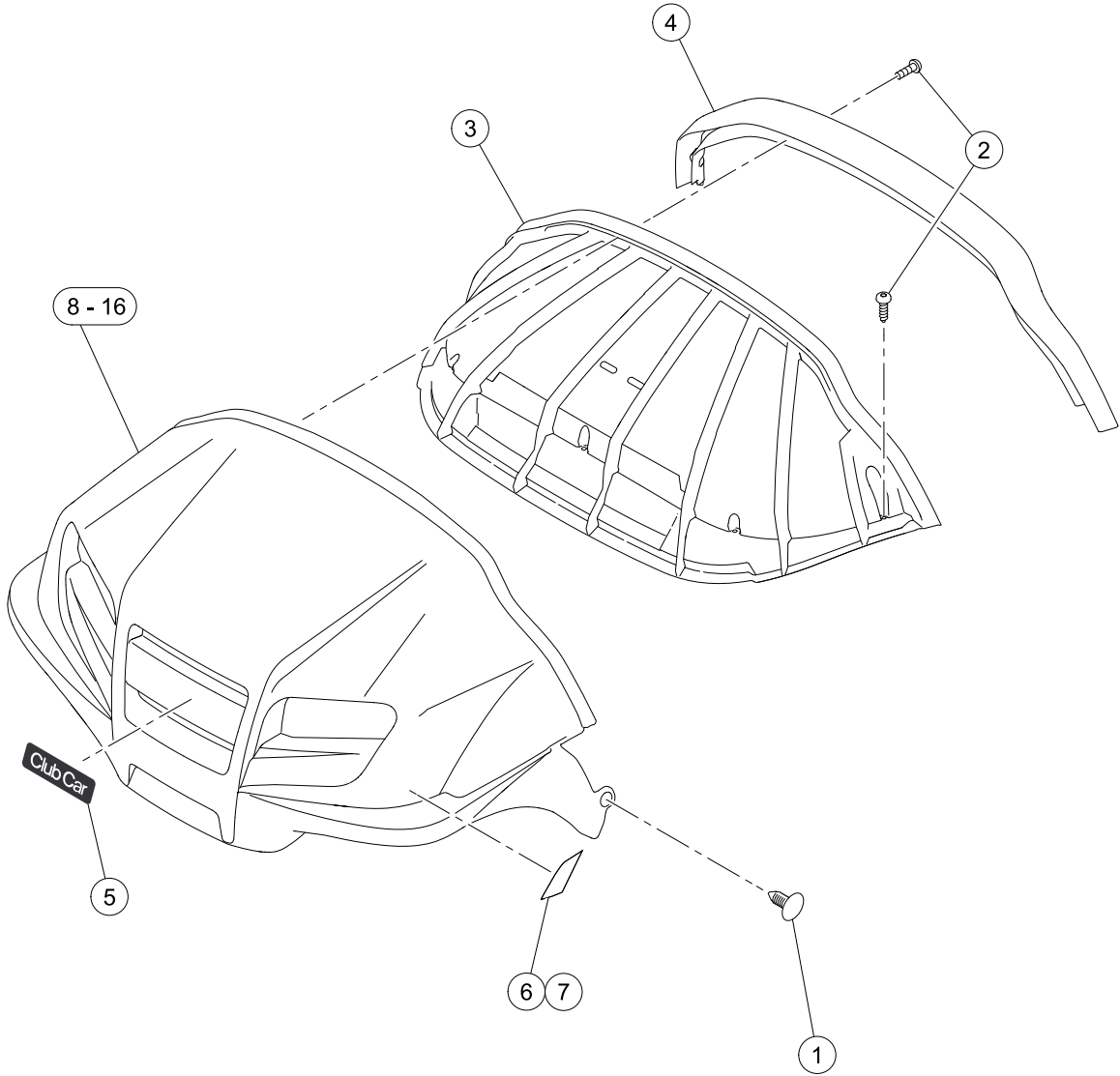
G-140699-000006

# FRONT FENDERS

| ITEM | PART NO.    | DESCRIPTION  | QTY |
|------|-------------|--|-----|
|      |             | 1 2 3 4  |     |
| 1    | 47632116001 | Kit, Fenders, Front (includes items 2 through 4) ..... | 1   |
| 2    | 1010434     | Barrel - Plastic .....                                 | 18  |
| 3    | 47628936001 | Fender, Front, LH .....                                | 1   |
| 4    | 47628936002 | Fender, Front, RH .....                                | 1   |



**1**  
**G**  
**E**



G-140299-000001

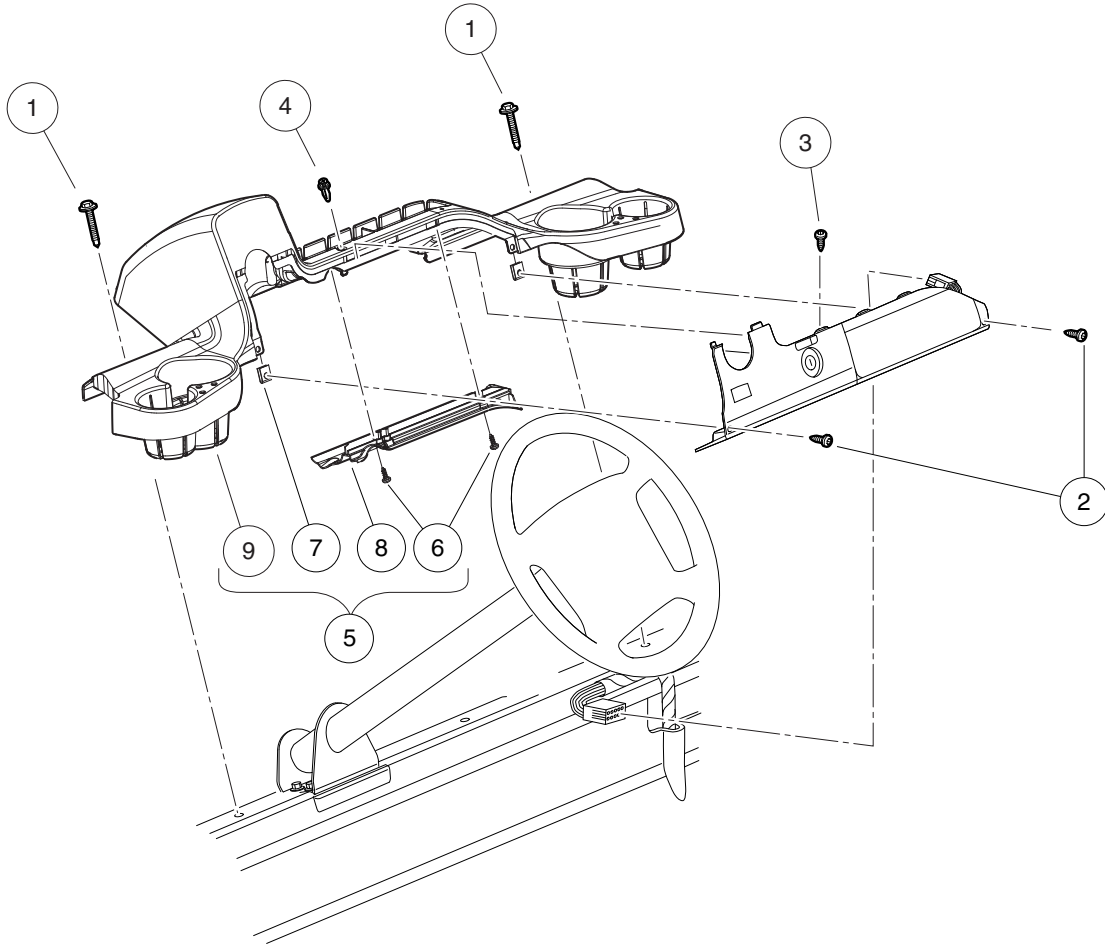
# FRONT BODY

| ITEM | PART NO.    | DESCRIPTION  | QTY |
|------|-------------|--|-----|
|      |             | <b>1 2 3 4</b>   |     |
| 1    | 1010434     | Barrel - Plastic .....   | 4   |
| 2    | 102296020   | Screw, Torx Pan Hd Pt, M6 X 20 .....   | 9   |
| 3    | 102501501   | Brow .....   | 1   |
| 4    | 102502501   | Brow Cap .....   | 1   |
| 5    | 102883602   | Decal, Nameplate, Csmr .....   | 1   |
| 6    | 47583296001 | Reflector, Front, Csmr, Driver-side .....  | 1   |
| 7    | 47583296002 | Reflector, Front, Csmr, Passenger-side .....   | 1   |
| 8    | 47627633002 | Panel Frt, Met Prl Blue .....  | 1   |
| 9    | 47627633003 | Panel Frt, Met Green .....   | 1   |
| 10   | 47627633004 | Panel Frt, Met Black .....   | 1   |
| 11   | 47627633005 | Panel Frt, Met Platinum .....  | 1   |
| 12   | 47627633006 | Panel Frt, Cdy Apple Red .....   | 1   |
| 13   | 47627633009 | Panel Frt, Met Syn Green .....   | 1   |
| 14   | 47627633053 | Panel Frt, Flt White, Sp .....   | 1   |
| 15   | 47627633058 | Panel Frt, Met Beige, Sp .....   | 1   |
| 16   | 47627633099 | Panel Frt, No Paint .....  | 1   |
|      |             | <p>Note: For current or additional color options, contact your local Club Car dealer or distributor.</p> |     |

**1**

**G**

**E**



000438-003

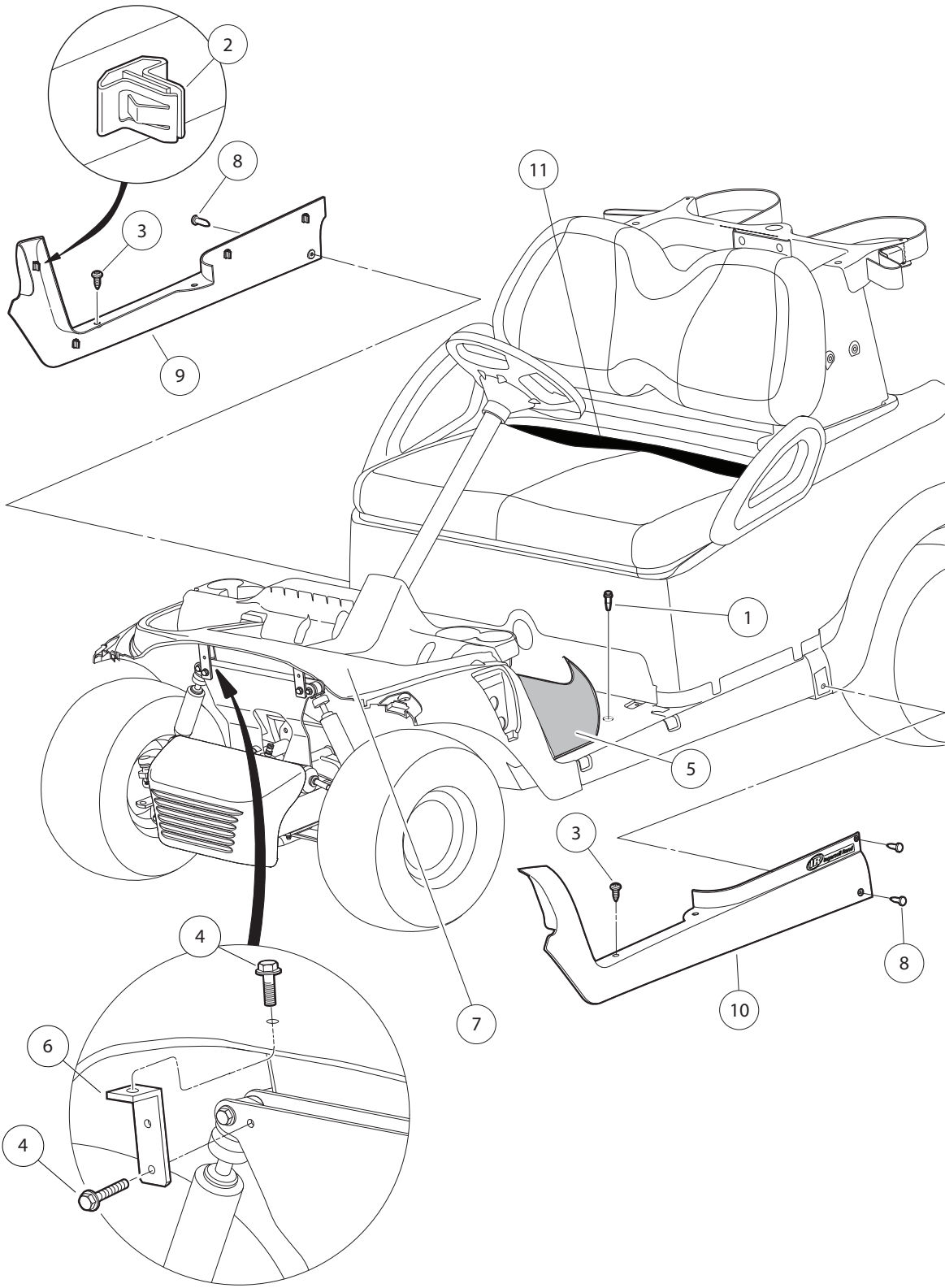


# DASH

| ITEM  | PART NO.  | DESCRIPTION                          | QTY |
|---|-----------|--------------------------------------|-----|
|   |           | <b>1 2 3 4</b>                       |     |
| 1   | 102292356 | Screw-1/4-20x56 Hwh Self Drill ..... | 2   |
| 2   | 102296819 | Screw-M6 x 19 .....                  | 2   |
| 3   | 102557201 | Screw, #6-20 Type Abx1.00 Pan .....  | 1   |
| 4   | 102915601 | Plastic Rivet - Tuflock .....        | 1   |
| 5   | 103402701 | Dash Assembly .....                  | 1   |
| <p>Note: Item 6 through 9 are details of item 5 and are not illustrated</p> |           |                                      |     |

**1**  
**G**  
**E**

**1**  
**G**  
**E**



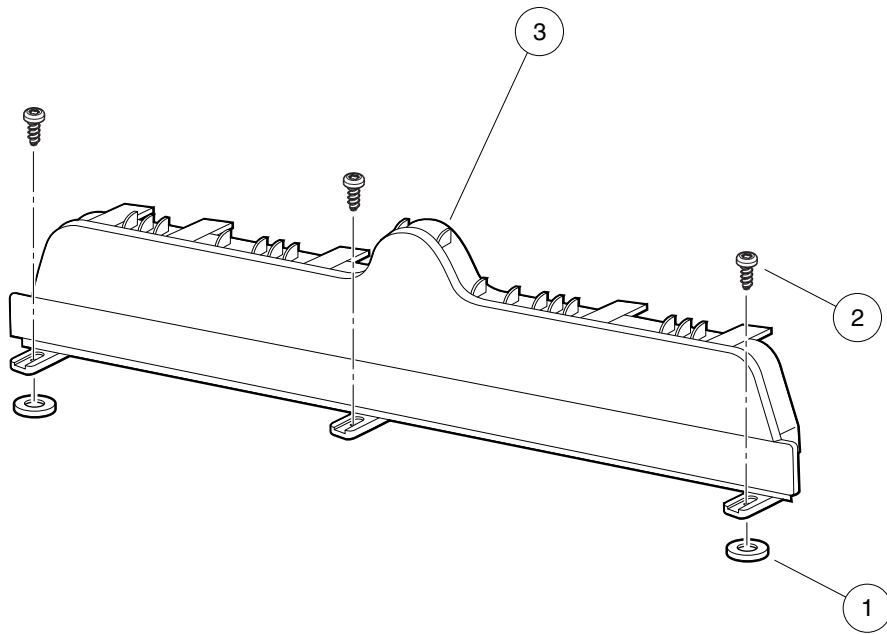
000497-009

# FLOOR MAT, RETAINERS, AND FRONT UNDERBODY

| ITEM | PART NO.    | DESCRIPTION   | QTY |
|------|-------------|---|-----|
|      |             | 1 2 3 4   |     |
| 1    | 102292356   | Screw-1/4-20x56 Hwh Self Drill .....  | 3   |
| 2    | 102292701   | Clip-body-trim .....  | 8   |
| 3    | 102298020   | Screw, K80x20, Torx Pn Hd Pt .....  | 4   |
| 4    | 102298720   | Screw, M8-1.25x20, Taptite .....  | 4   |
| 5    | 102504802   | Floormat .....  | 1   |
| 6    | 102521901   | Bracket-clamshell .....   | 2   |
| 7    | 103635201   | Underbody, Front, One Piece .....   | 1   |
| 8    | 105291501   | Rivet, Plastic Tuflok, 8mm .....  | 4   |
| 9    | 105314001   | Floormat Retainer, Passenger-side, Black .....  | 1   |
| 10   | 105314101   | Floormat Retainer, Driver-side, Black .....   | 1   |
| 11   | 47652014001 | Insulation, Rear Underbody .....  | 1   |
|      |             | <p>Note: The front underbody is a special order item available upon request. It will require some trimming for use on the Onward vehicle.</p> |     |

**1**  
**G**  
**E**

**1**  
**G**  
**E**



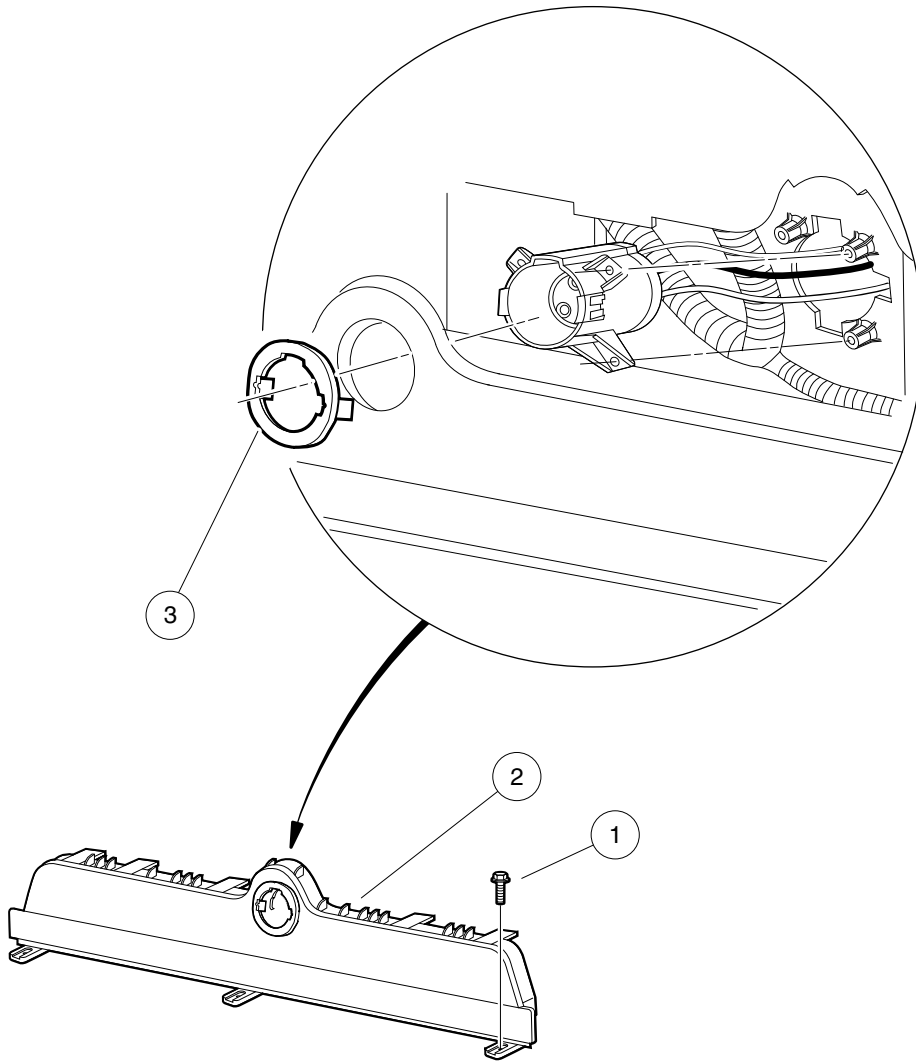
001059-001

# KICK PLATE – GASOLINE VEHICLE

| ITEM | PART NO.  | DESCRIPTION                         | QTY |
|------|-----------|-------------------------------------|-----|
|      |           | 1 2 3 4                             |     |
| 1    | 1012571   | Washer, 5/16 Extra Thick Flat ..... | 2   |
| 2    | 102298020 | Screw, K80x20, Torx Pn Hd Pt .....  | 3   |
| 3    | 105005402 | Plate, Kick, Black .....            | 1   |



**1**  
**G**  
**E**



000500-003

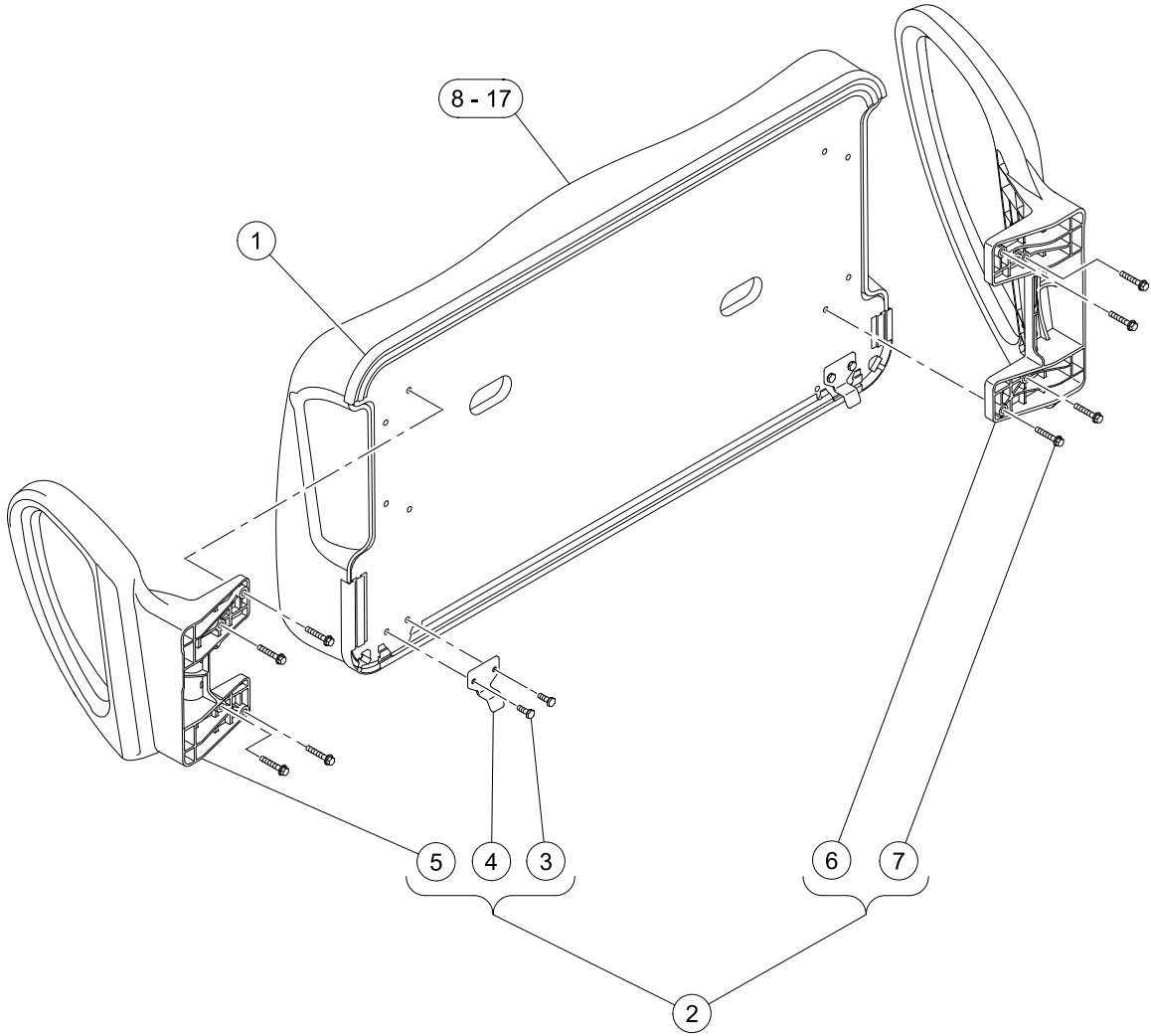
# KICK PLATE – ELECTRIC VEHICLE

| ITEM | PART NO.  | DESCRIPTION                        | QTY |
|------|-----------|------------------------------------|-----|
|      |           | <b>1 2 3 4</b>                     |     |
| 1    | 102298030 | Screw, K80x30, Torx Pn Hd Pt ..... | 3   |
| 2    | 102508202 | Plate - Electric Kick Blk .....    | 1   |
| 3    | 102516901 | Socket Trim .....                  | 1   |

1

G

E



G-140699-000007

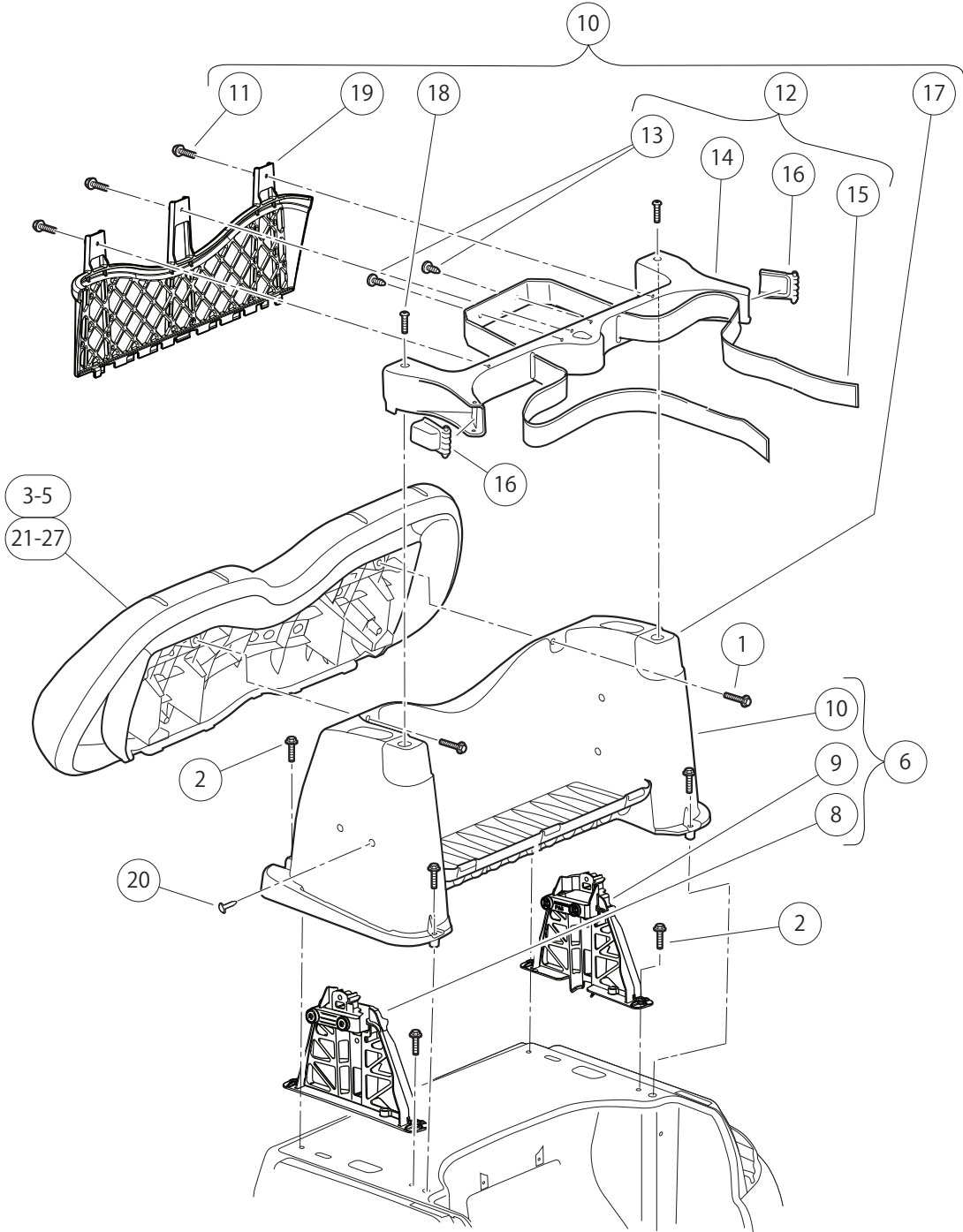


# SEAT BOTTOM WITH HIP RESTRAINTS

| ITEM | PART NO.  | DESCRIPTION   | QTY |
|------|-----------|---|-----|
|      |           | 1 2 3 4   |     |
| 1    | 101998501 | Gasket, Seat .....  | 1   |
| 2    | 103833901 | Kit, Seat Bottom (includes items 3 through 7) .....   | 1   |
| 3    | 101954301 | Screw, 1/4-20 X 0.75 Hex-Head Cap .....   | 4   |
| 4    | 103832901 | Hinge, Seat Bottom .....  | 2   |
| 5    | 103833601 | Hip Restraint, Drv .....  | 1   |
| 6    | 103833701 | Hip Restraint, Pas .....  | 1   |
| 7    | 103833801 | 1/4-20 X 1.5 Hex Flg Patch .....  | 8   |
| 8    | 104023421 | Seat Bottom Asm, Beige, Service Replacement .....   | 1   |
| 9    | 104023422 | Seat Bottom Asm, White, Service Replacement .....   | 1   |
| 10   | 104023425 | Seat Bottom Asm, Black, Service Replacement .....   | 1   |
| 11   | 105223321 | Seat Bottom Asm, Premium, Light Beige, Service Replacement .....  | 1   |
| 12   | 105223322 | Seat Bottom Asm, Premium, Camello, Service Replacement .....  | 1   |
| 13   | 105223323 | Seat Bottom Asm, Premium, Off-White, Service Replacement .....  | 1   |
| 14   | 105223325 | Seat Bottom Asm, Premium, Camello/Off-White, Service Replacement .....  | 1   |
| 15   | 105223327 | Seat Bottom Asm, Premium, Black, Service Replacement .....  | 1   |
| 16   | 105223328 | Seat Bottom Asm, Premium, Black/Gray, Service Replacement .....   | 1   |
| 17   | 105223329 | Seat Bottom Asm, Premium, Gray, Service Replacement .....   | 1   |
|      |           | <p>Note: Item 1 is supplied with all seat bottom assemblies and can be procured individually. For current or additional color options, contact your local Club Car dealer or distributor.</p> |     |

**1**  
**G**  
**E**

**1**  
**G**  
**E**



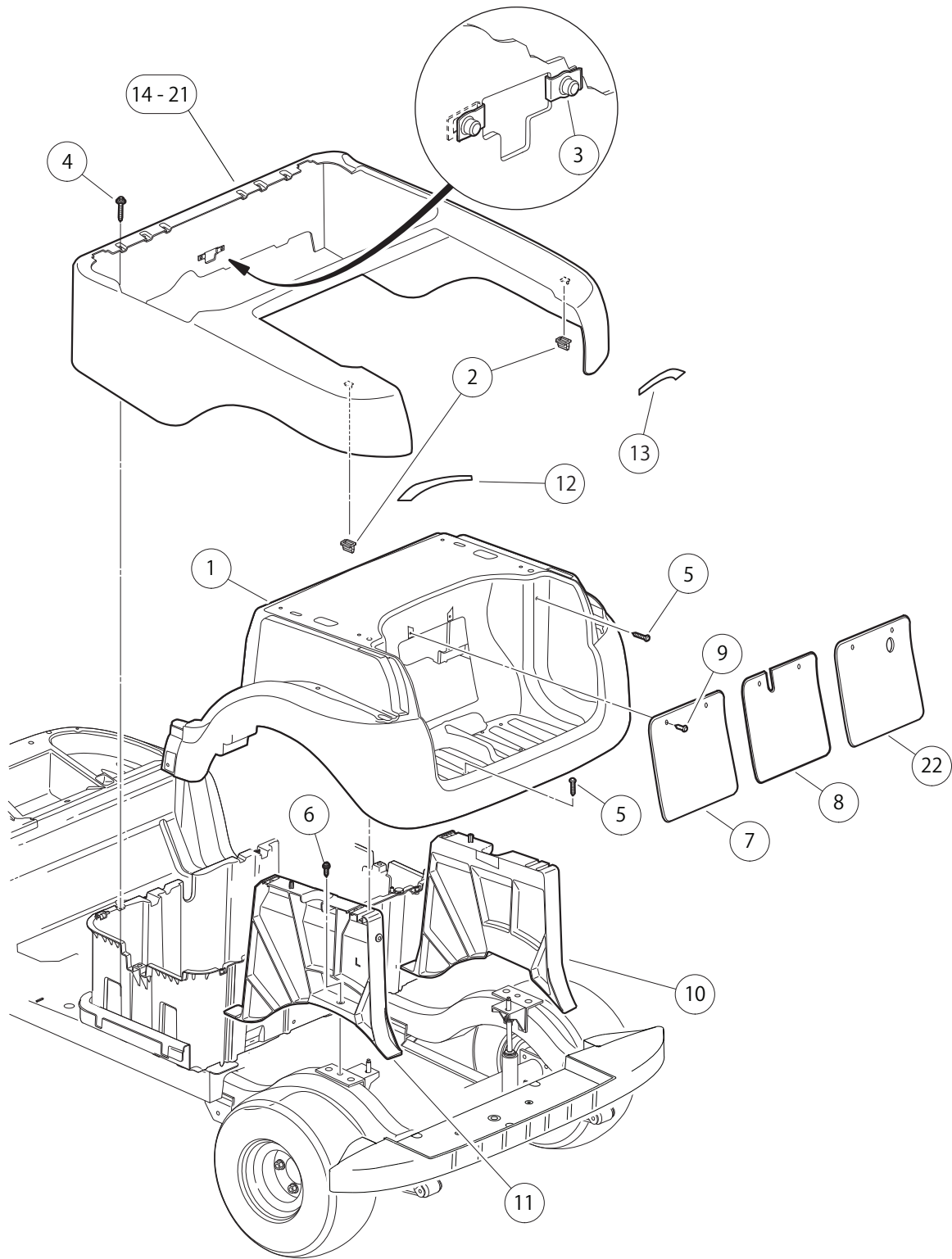
000435-014

# SEAT BACK, BACKREST, AND STRUCTURAL ACCESSORY MODULE (SAM)

| ITEM | PART NO.  | DESCRIPTION  | QTY |
|------|-----------|--|-----|
|      |           | <b>1 2 3 4</b>   |     |
| 1    | 102296530 | Screw - M6 X 1.0 X 30 Sems .....   | 2   |
| 2    | 102298240 | Bolt, Flange Head, M8-1.25 X 40 .....  | 6   |
| 3    | 103853121 | Asm, Seat Back, Beige, Service Replacement .....   | 1   |
| 4    | 103853122 | Asm, Seat Back, White, Service Replacement .....   | 1   |
| 5    | 103853125 | Asm, Seat Back, Black, Service Replacement .....   | 1   |
| 6    | 103952901 | Kit, S.A.M. Assembly (includes items 7 through 10) .....   | 1   |
| 7    | 102297230 | Screw, M6, Torx, Interlock Thread .....  | 4   |
| 8    | 103929301 | Support- Canopy, Drv .....   | 1   |
| 9    | 103929302 | Support- Canopy, Pass .....  | 1   |
| 10   | N/A       | Asm, S.A.M. (includes items 11 through 19) .....   | 1   |
| 11   | 102297230 | Screw, M6, Torx, Interlock Thread .....  | 3   |
| 12   | 102504001 | Asm, Bag Hoop (includes items 13 through 16) .....   | 1   |
| 13   | 1010434   | Barrel - Plastic .....   | 2   |
| 14   | 102504201 | Hoop-bag .....   | 1   |
| 15   | 102504301 | Strap, Bag .....   | 1   |
| 16   | 102517001 | Buckle-bag Strap .....   | 2   |
| 17   | N/A       | Structural Accessory Module (S.A.M.) .....   | 1   |
| 18   | 103327601 | Screw, 5/16, Torx, Bosscrew .....  | 2   |
| 19   | 103699401 | Panel, S.A.M., Prec .....  | 1   |
| 20   | 103978801 | Barrel-push 6mm .....  | 4   |
| 21   | 105223421 | Asm, Seat Back, Premium, Lt. Beige, Service Replacement .....  | 1   |
| 22   | 105223422 | Asm, Seat Back, Premium, Camello, Service Replacement .....  | 1   |
| 23   | 105223423 | Asm, Seat Back, Premium, Off-White, Service Replacement .....  | 1   |
| 24   | 105223425 | Asm, Seat Back, Premium, Camello/Off-White, Service Replacement .....  | 1   |
| 25   | 105223427 | Asm, Seat Back, Premium, Black, Service Replacement .....  | 1   |
| 26   | 105223428 | Asm, Seat Back, Premium, Black/Gray, Service Replacement .....   | 1   |
| 27   | 105223429 | Sp,asm,prem Seat Back,gray .....   | 1   |
|      |           | Note: Screws (item 7) not shown. These are four new screws to replace those used to attach accessory mounting brackets to SAM (item 17). For current or additional color options, contact your local Club Car dealer or distributor. |     |

**1**  
**G**  
**E**

**1**  
**G**  
**E**



000436-022

# REAR BODY

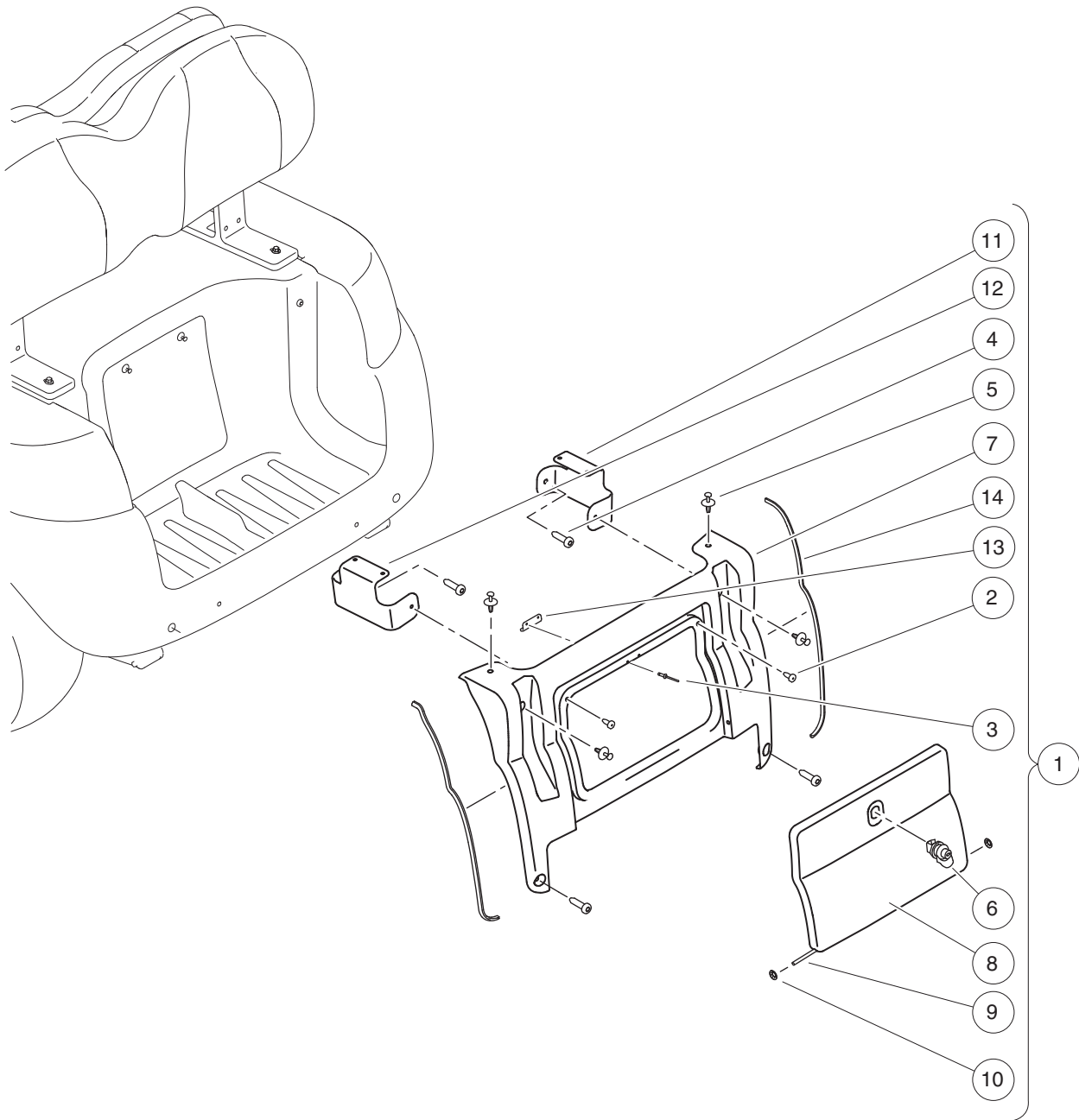
| ITEM  | PART NO.    | DESCRIPTION                                       | QTY |
|---|-------------|---|-----|
|   |             | <b>1 2 3 4</b>                                    |     |
| 1   | 102279105   | Underbody-rear, Blk, Csmr .....                   | 1   |
| 2   | 102292701   | Clip-body-trim .....                              | 2   |
| 3   | 102296601   | U-Nut, M6-1.0, Prevailing Torque .....            | 2   |
| 4   | 102297230   | Screw, M6, Torx, Interlock Thread .....           | 4   |
| 5   | 102298030   | Screw, K80x30, Torx Pn Hd Pt .....                | 4   |
| 6   | 102298716   | M8-1.25x16 Taptite .....                          | 2   |
| 7   | 102501402   | Panel, Access, Black .....                        | 1   |
| 8   | 102501403   | Panel, Access, Black, with Punched Hole .....     | 1   |
| 9   | 102967901   | Rivet, Removable, Tuflok 1/4" .....               | 2   |
| 10  | 103812901   | Asm, Rear Underbody Support, Passenger-side ..... | 1   |
| 11  | 103813001   | Asm, Rear Underbody Support, Driver-side .....    | 1   |
| 12  | 47583297001 | Reflector, Rear, Csmr, Driver-side .....          | 1   |
| 13  | 47583297002 | Reflector, Rear, Csmr, Passenger-side .....       | 1   |
| 14  | 47589919302 | Pnl, Bty, Rr, Mt Platinum, Sp .....               | 1   |
| 15  | 47589919303 | Pnl, Bty, Rr, Mt Cndy Apl, Sp .....               | 1   |
| 16  | 47589919304 | Pnl, Bty, Rr, Mt Green, Sp .....                  | 1   |
| 17  | 47589919306 | Pnl, Bty, Rr, Mt Black, Sp .....                  | 1   |
| 18  | 47589919308 | Pnl, Bty, Rr, Mt Prl Blue, Sp .....               | 1   |
| 19  | 47589919310 | Pnl, Bty, Rr, Mt Syn Grn, Sp .....                | 1   |
| 20  | 47589919311 | Pnl, Bty, Rr, Mt Beige, Sp .....                  | 1   |
| 21  | 47589919312 | Pnl, Bty, Rr, Flt White, Sp .....                 | 1   |
| 22  | SVP915201   | Panel-access-lite Hole Cut Out .....              | 1   |
| Note: For current or additional color options, contact your local Club Car dealer or distributor. |             |   |     |

1

G

E

**1**  
**G**  
**E**



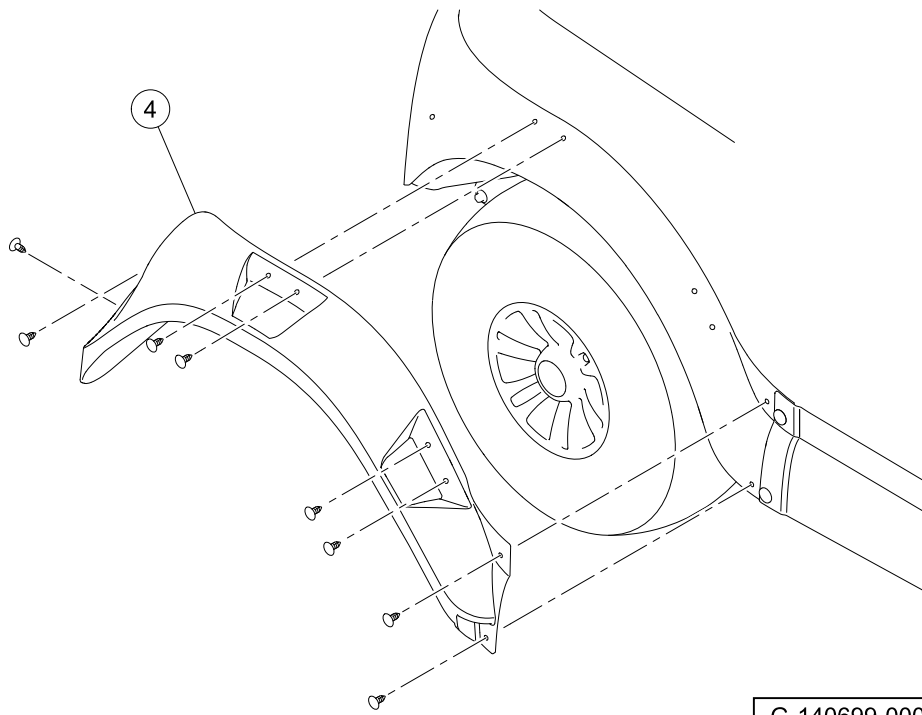
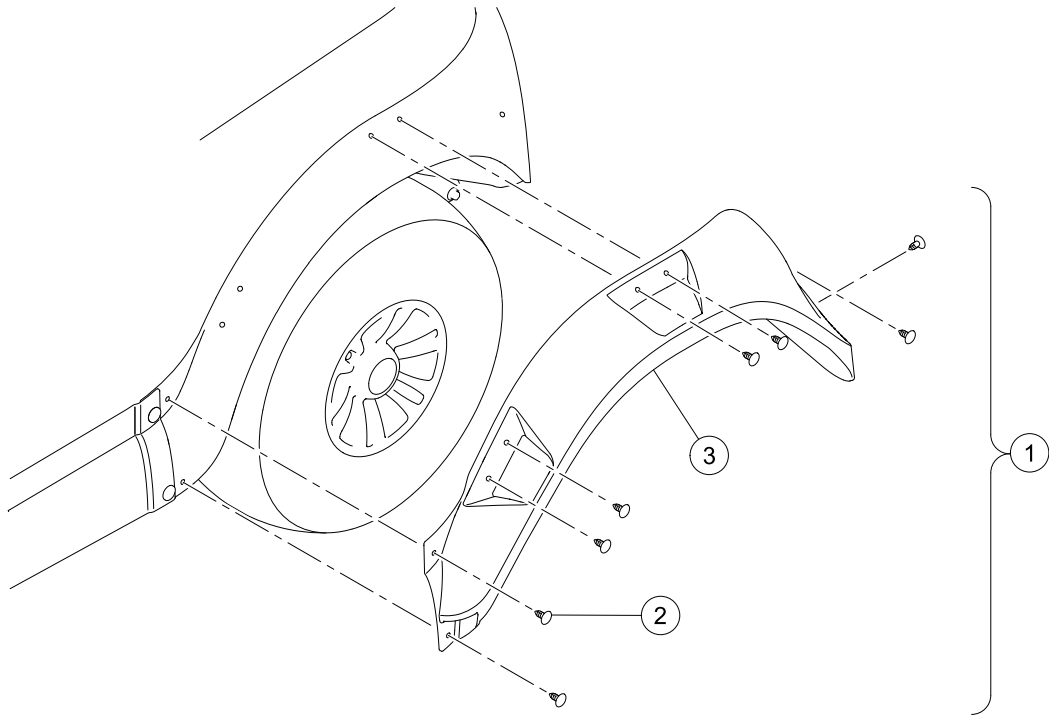
001327-001

# REAR VALANCE

| ITEM | PART NO.    | DESCRIPTION   | QTY |
|------|-------------|---|-----|
|      |             | <b>1 2 3 4</b>  |     |
| 1    | 47579068001 | Kit, Rear Valance (includes items 2 through 14) ..... | 1   |
| 2    | 1010436     | Bumper, Rubber .....                                  | 2   |
| 3    | 1015727     | Rivet, 1/8 .....                                      | 2   |
| 4    | 102298030   | Screw, K80x30, Torx Pn Hd Pt .....                    | 2   |
| 5    | 102967901   | Rivet, Removable, Tuflok 1/4" .....                   | 4   |
| 6    | 103182702   | Latch, Push Close W/ Key .....                        | 1   |
| 7    | 47579059001 | Body, Rear Valance .....                              | 1   |
| 8    | 47579060001 | Door, Rear Valance .....                              | 1   |
| 9    | 47579061001 | Hinge Rod, Rear Valance .....                         | 1   |
| 10   | 47579062001 | Push Nut, Smooth Shaft, 1/4 .....                     | 2   |
| 11   | N/A         | Bracket, Rear Valance, Driver-Side .....              | 1   |
| 12   | N/A         | Bracket, Rear Valance, Passenger-Side .....           | 1   |
| 13   | 47579065001 | Keeper, Latch, Rear Valance .....                     | 1   |
| 14   | 47579066001 | Edge Trim, Rear Valance .....                         | 2   |

**1**  
**G**  
**E**

**1**  
**G**  
**E**



G-140699-000005

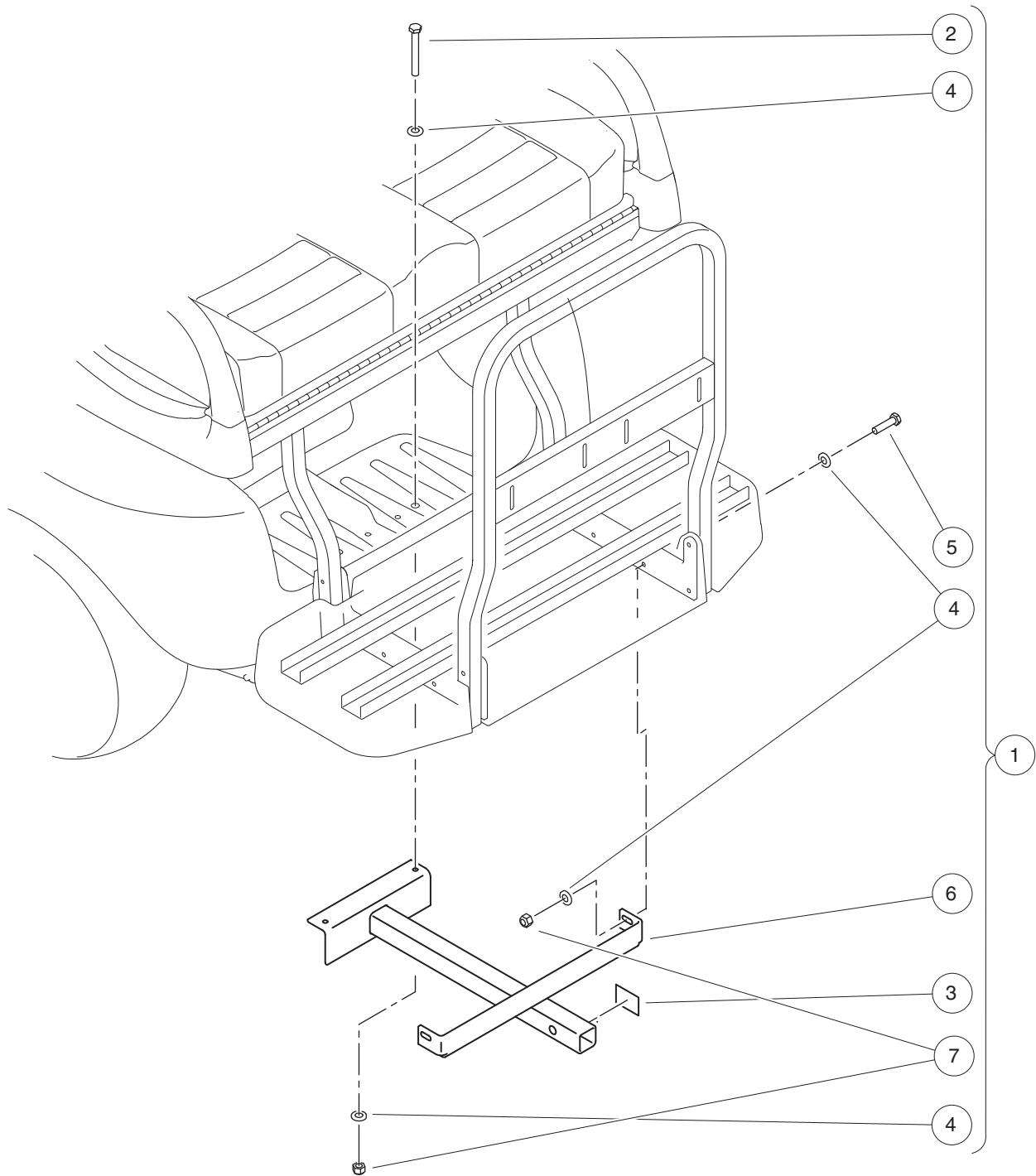


# REAR FENDERS

| ITEM | PART NO. | DESCRIPTION   | QTY |
|------|----------|---|-----|
| 1    | N/A      | <b>1 2 3 4</b><br>Kit, Fenders, Rear, CSMR (includes items 2 through 4) ..... | 1   |
| 2    | 1010434  | Barrel - Plastic .....  | 16  |
| 3    | N/A      | Fender, Rear, Csmr, Driver-side .....   | 1   |
| 4    | N/A      | Fender, Rear, Csmr, Passenger-side .....                                      | 1   |

**1**  
**G**  
**E**

**1**  
**G**  
**E**



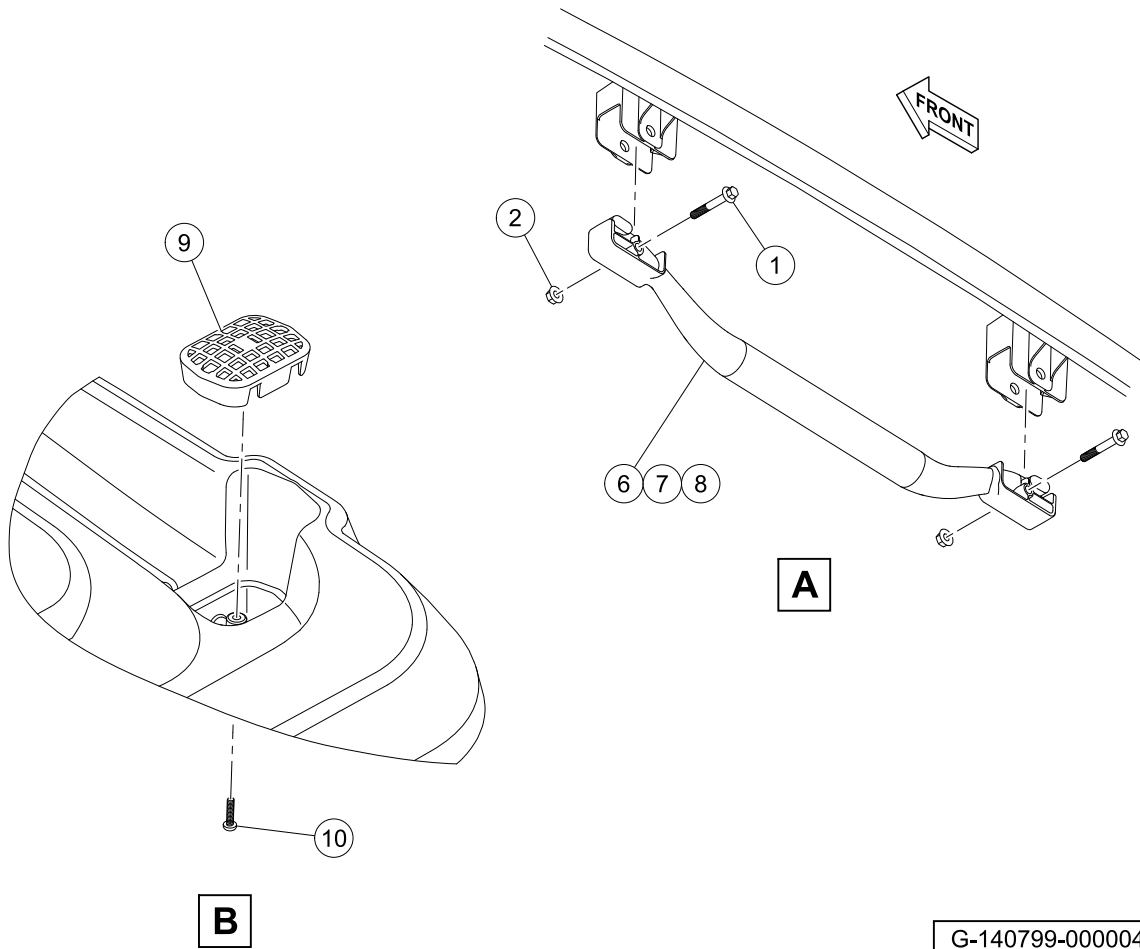
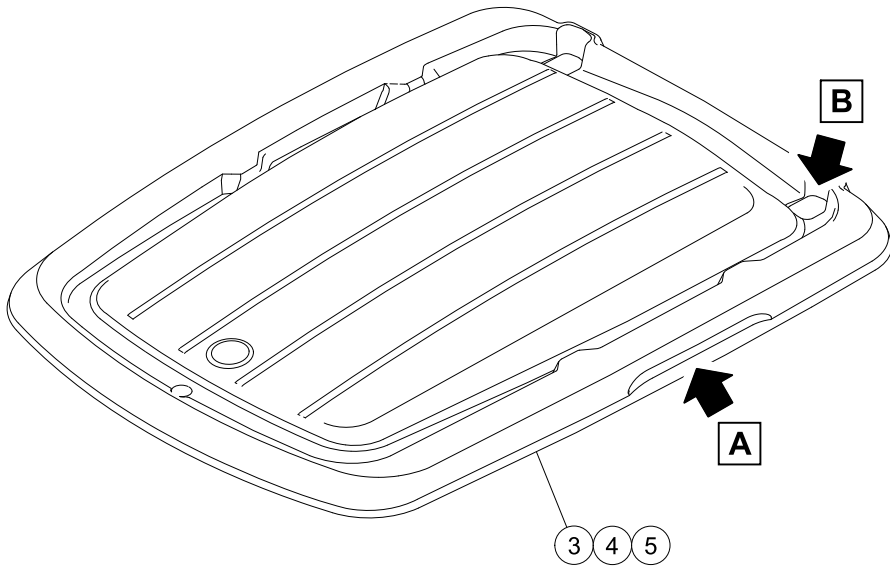
001328-001

# RECEIVER HITCH

| ITEM | PART NO.    | DESCRIPTION  | QTY |
|------|-------------|--|-----|
|      |             | <b>1 2 3 4</b>   |     |
| 1    | 47578437001 | Kit, Receiver Hitch, Csmr (includes items 2 through 7) ..... | 1   |
| 2    | 1010921     | Screw, 5/16-18 X 2.50 Hex Cap .....                          | 2   |
| 3    | 1011553     | Decal, Trailer Hitch .....                                   | 1   |
| 4    | 1011697     | Washer, 5/16 Flat .....                                      | 8   |
| 5    | 1218        | Screw, 5/16-18 X 1.25 Hex-Head Cap .....                     | 2   |
| 6    | 47575464001 | Asm Receiver Hitch Weldment .....                            | 1   |
| 7    | 7473        | Locknut, 5/16-18 Nylon Insert .....                          | 4   |

**1**  
**G**  
**E**

**1**  
**G**  
**E**



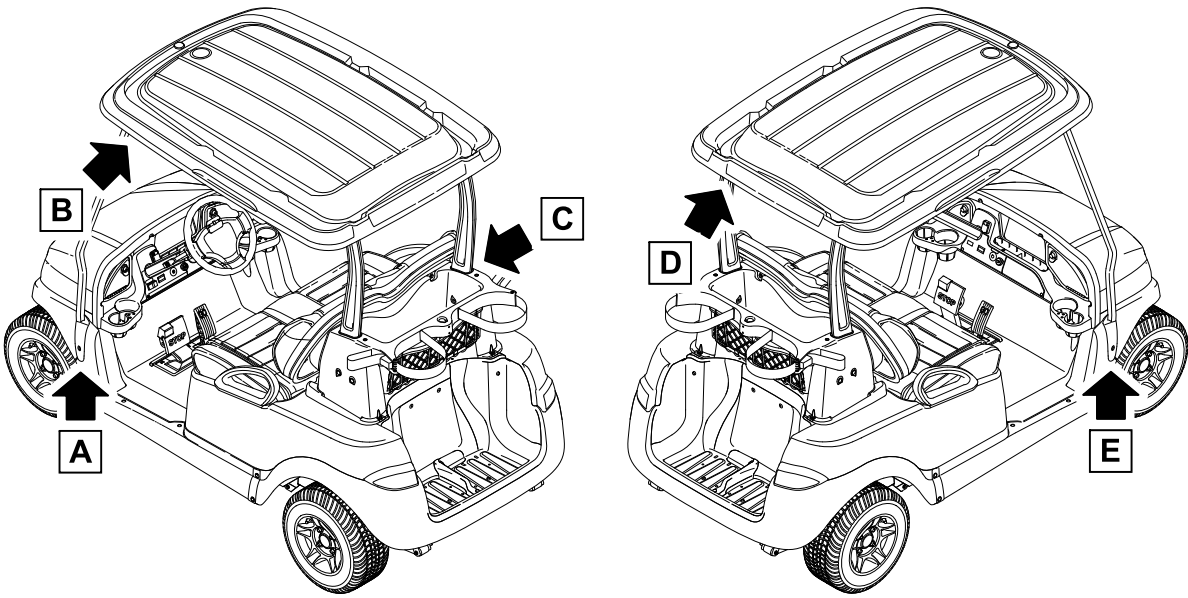
G-140799-000004

# CANOPIES

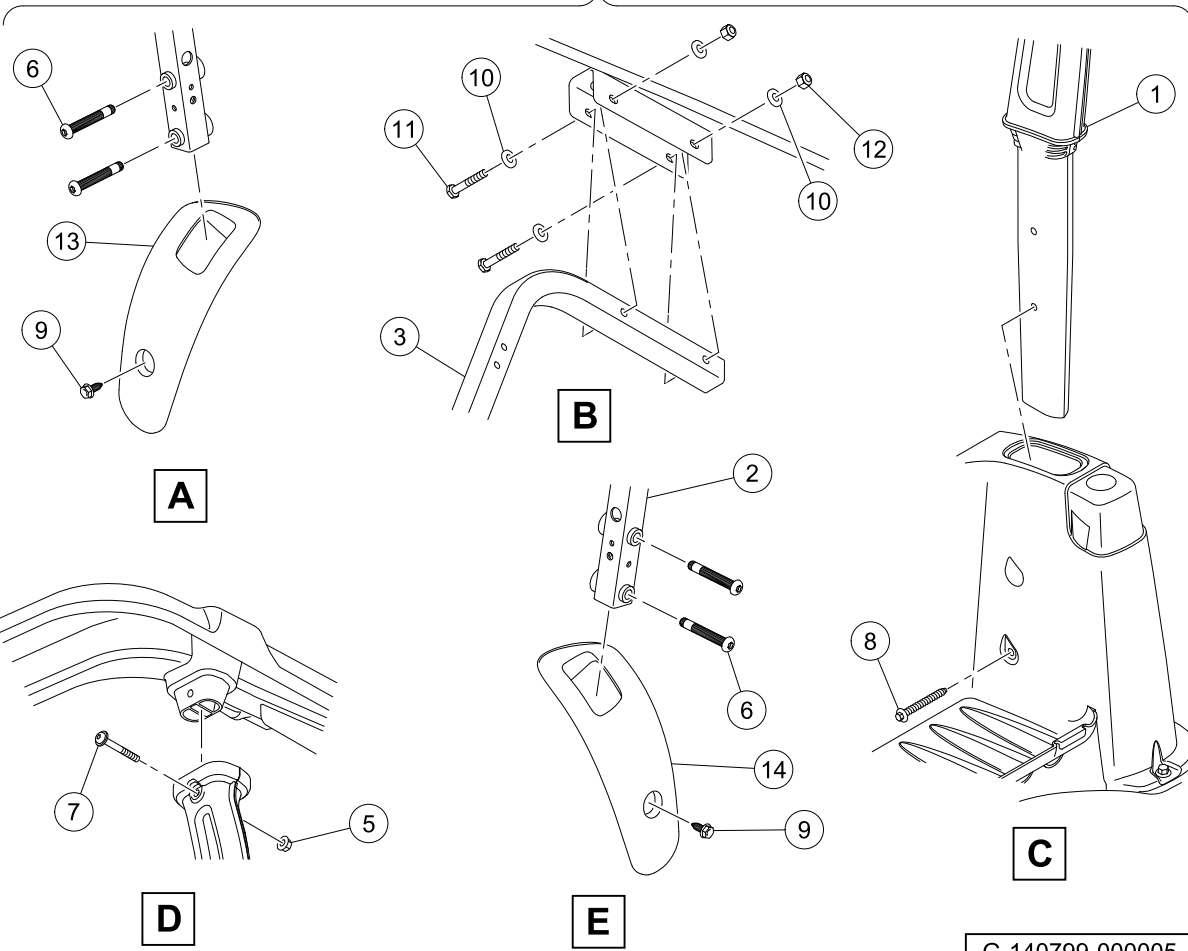
| ITEM   | PART NO.  | DESCRIPTION                           | QTY |
|--|-----------|---------------------------------------|-----|
|  |           | <b>1 2 3 4</b>                        |     |
| 1  | 102296140 | Bolt, Flanged Head, M6x1.0x40 .....   | 4   |
| 2  | 102296401 | Nut, M6x1.0, Flange, Metal Lock ..... | 4   |
| 3  | 102508901 | Canopy-white .....                    | 1   |
| 4  | 102508902 | Canopy-beige .....                    | 1   |
| 5  | 102508903 | Canopy-black .....                    | 1   |
| 6  | 102511601 | Handle, Canopy (White) .....          | 2   |
| 7  | 102511602 | Handle, Canopy (Beige) .....          | 2   |
| 8  | 102511603 | Handle-canopy (black) .....           | 2   |
| 9  | 103205101 | Cover, Drain, Canopy .....            | 2   |
| 10   | 103210101 | Screw, #8 X.75, Torx, Tapping .....   | 2   |
| 11   | 104008001 | Asm, Canopy W/handles, White .....    | A/R |
| 12   | 104008002 | Asm, Canopy W/handles, Beige .....    | A/R |
| 13   | 104008003 | Asm, Canopy W/handles, Black .....    | A/R |
| <p>Note: Items 11, 12 and 13 are not illustrated. If ordered, the canopy assembly will be supplied with all applicable detail parts.</p> |           |                                       |     |

**1**  
**G**  
**E**

**1**  
**G**  
**E**



4



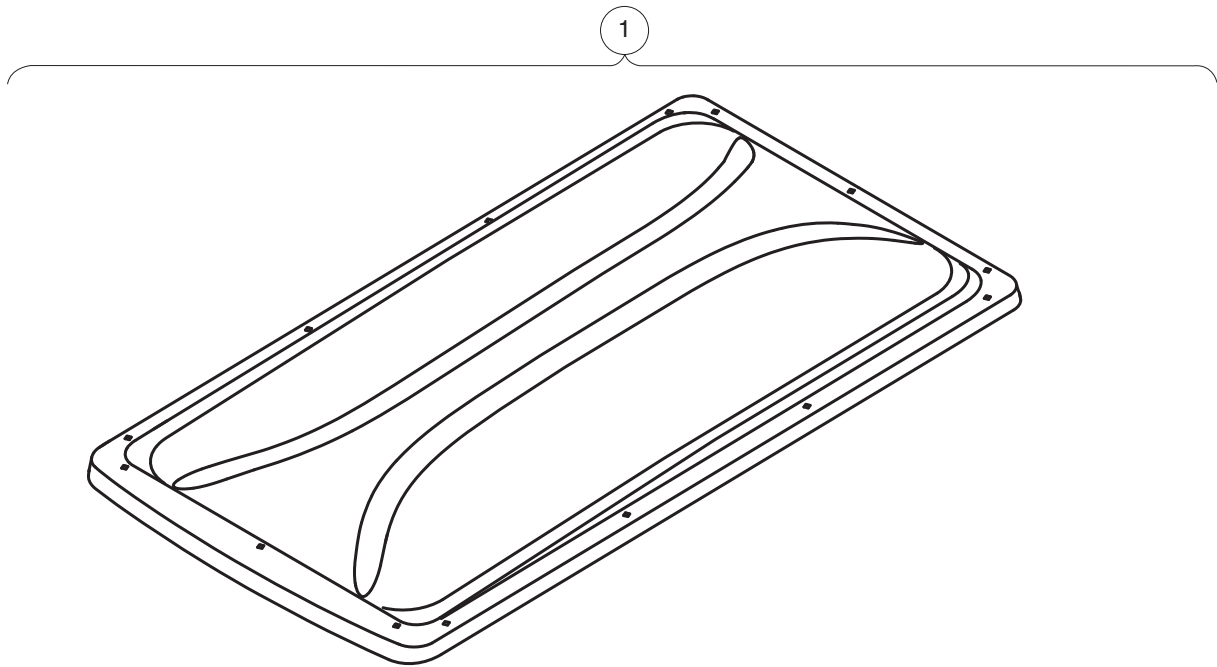
G-140799-000005

# CANOPY STRUTS

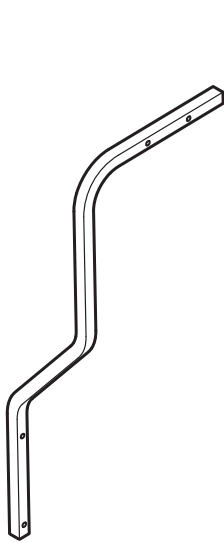
| ITEM | PART NO.    | DESCRIPTION  | QTY |
|------|-------------|--|-----|
|      |             | <b>1 2 3 4</b>   |     |
| 1    | 102513501   | Asm-rear Canopy Support .....                                  | 2   |
| 2    | 103750001   | Strut, Canopy Front, Passenger-side .....                      | 1   |
| 3    | 103750101   | Strut, Canopy Front, Driver-side .....                         | 1   |
| 4    | 104008501   | Kit, Hardware, Canopy, Std (includes items 5 through 12) ..... | 1   |
| 5    | 102298401   | Nut, M8, All Metal Lock .....                                  | 2   |
| 6    | 102299065   | M8-1.25 X 65 Tx Bttm Hd Bolt .....                             | 4   |
| 7    | 102299360   | Screw, M8-1.25 X 60, Sems, Tx .....                            | 2   |
| 8    | 102299601   | Screw, Pt, K80x70 Hex Flg Hd .....                             | 2   |
| 9    | 102544201   | Screw, M6 Hex .....  | 2   |
| 10   | 103196001   | Washer, Conical Spring, Canopy .....                           | 8   |
| 11   | 103199301   | Bolt - M6 X 1 X 45 Hh Grey .....                               | 4   |
| 12   | 103200301   | Nut, M6 x 1.00 .....   | 4   |
| 13   | 47631793001 | Cover, Canopy Support, LH .....                                | 1   |
| 14   | 47631793002 | Cover, Canopy Support, RH .....                                | 1   |

1  
G  
E

**1**  
**G**  
**E**



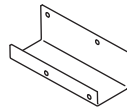
2



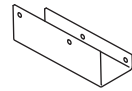
3



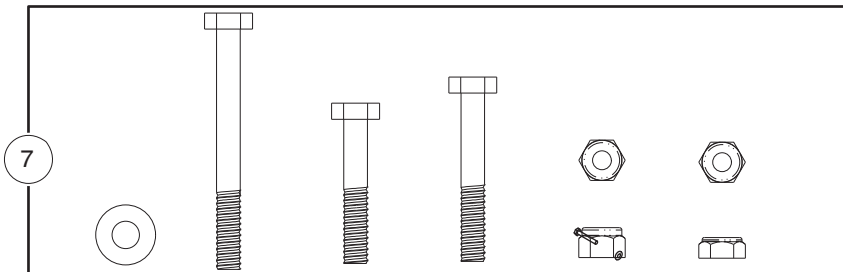
4



5



6



7

001329-001

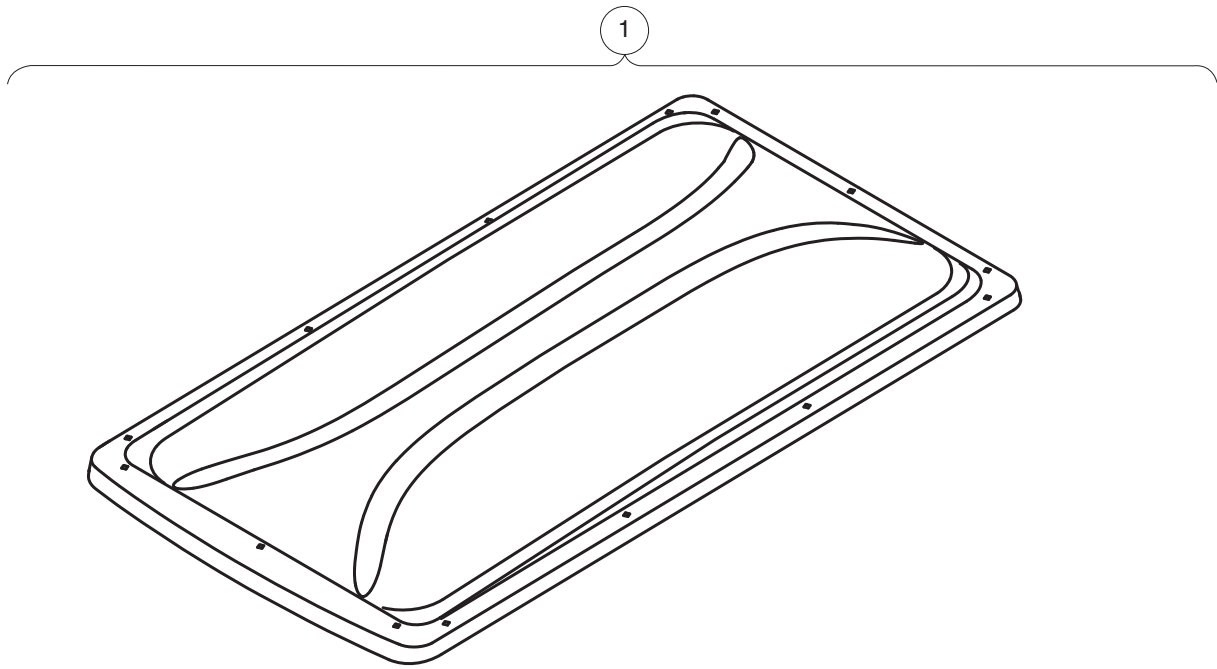


# FOUR-PASSENGER CANOPY WITH REAR STRUTS – BLACK

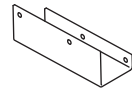
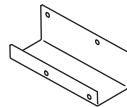
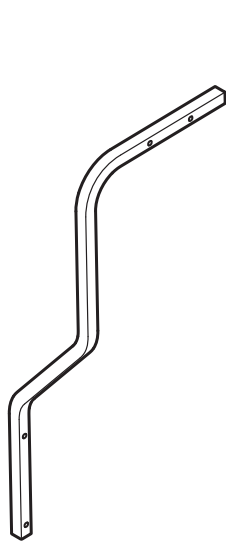
| ITEM | PART NO.    | DESCRIPTION  | QTY |
|------|-------------|--|-----|
|      |             | <b>1 2 3 4</b>   |     |
| 1    | 47570464001 | Kit, Canopy, Phantom, Blk (includes items 2 through 7) ..... | 1   |
| 2    | N/A         | Top, Canopy, Phantom Blk .....                               | 1   |
| 3    | N/A         | Strut, Canopy, Phantom Ds .....                              | 1   |
| 4    | N/A         | Strut, Canopy, Phantom Ps .....                              | 1   |
| 5    | 47582821001 | Bracket, Canopy, Phantom Ds .....                            | 1   |
| 6    | 47582821002 | Bracket, Canopy, Phantom Ps .....                            | 1   |
| 7    | 47583112001 | Kit, Hardware, Canopy Phantom .....                          | 1   |

1  
G  
E

**1**  
**G**  
**E**



2

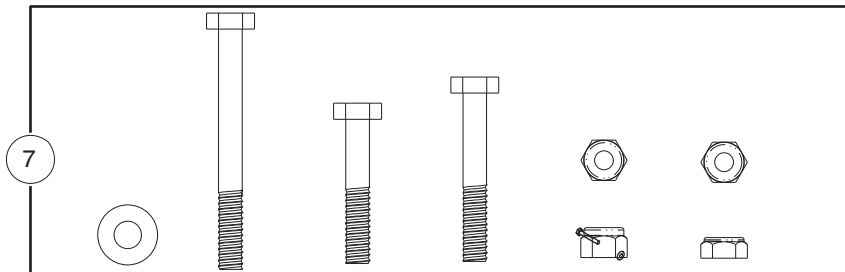


3

4

5

6



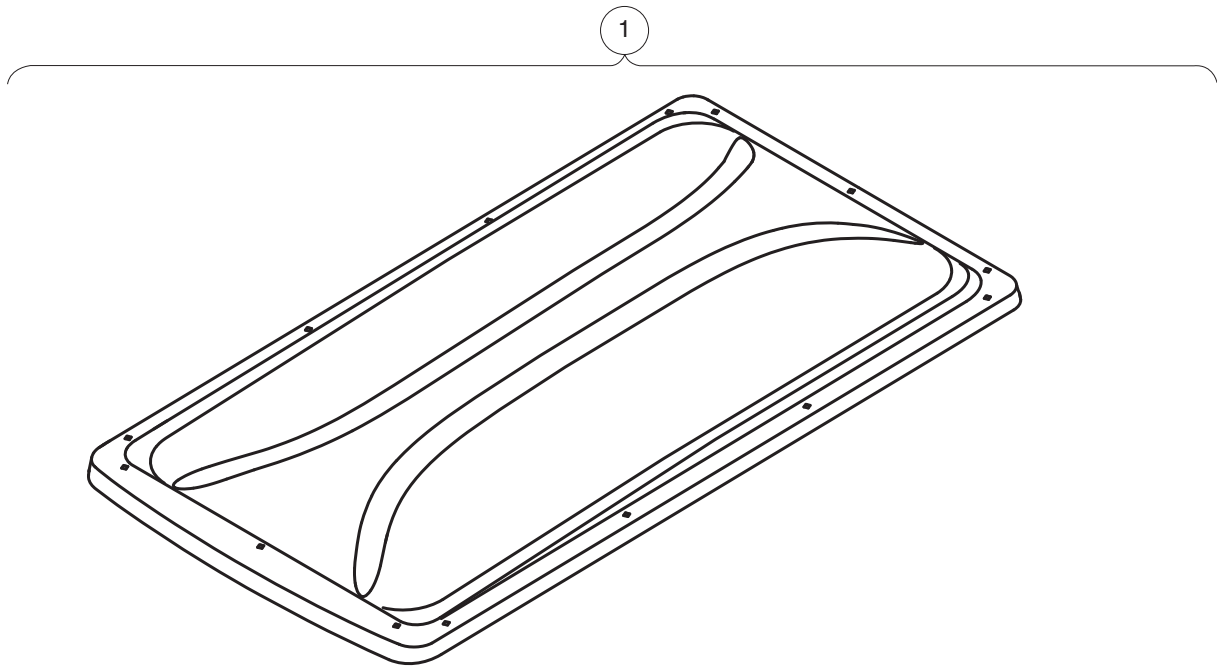
001329-001

# FOUR-PASSENGER CANOPY WITH REAR STRUTS – WHITE

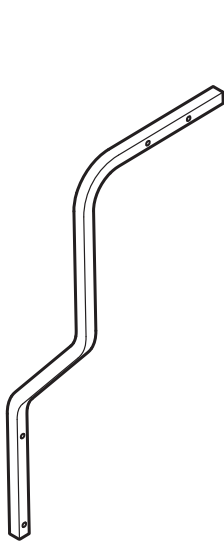
| ITEM | PART NO.    | DESCRIPTION  | QTY |
|------|-------------|--|-----|
|      |             | <b>1 2 3 4</b>   |     |
| 1    | 47570464002 | Kit, Canopy, Phantom, Wht (includes items 2 through 7) ..... | 1   |
| 2    | N/A         | Top, Canopy, Phantom Wht .....                               | 1   |
| 3    | N/A         | Strut, Canopy, Phantom Ds .....                              | 1   |
| 4    | N/A         | Strut, Canopy, Phantom Ps .....                              | 1   |
| 5    | 47582821001 | Bracket, Canopy, Phantom Ds .....                            | 1   |
| 6    | 47582821002 | Bracket, Canopy, Phantom Ps .....                            | 1   |
| 7    | 47583112001 | Kit, Hardware, Canopy Phantom .....                          | 1   |

**1**  
**G**  
**E**

**1**  
**G**  
**E**



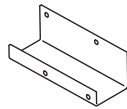
2



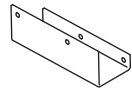
3



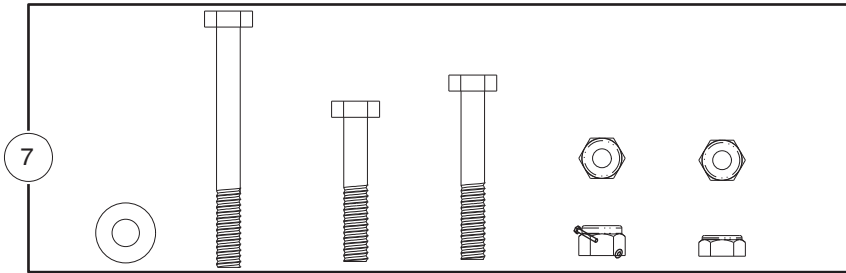
4



5



6



7

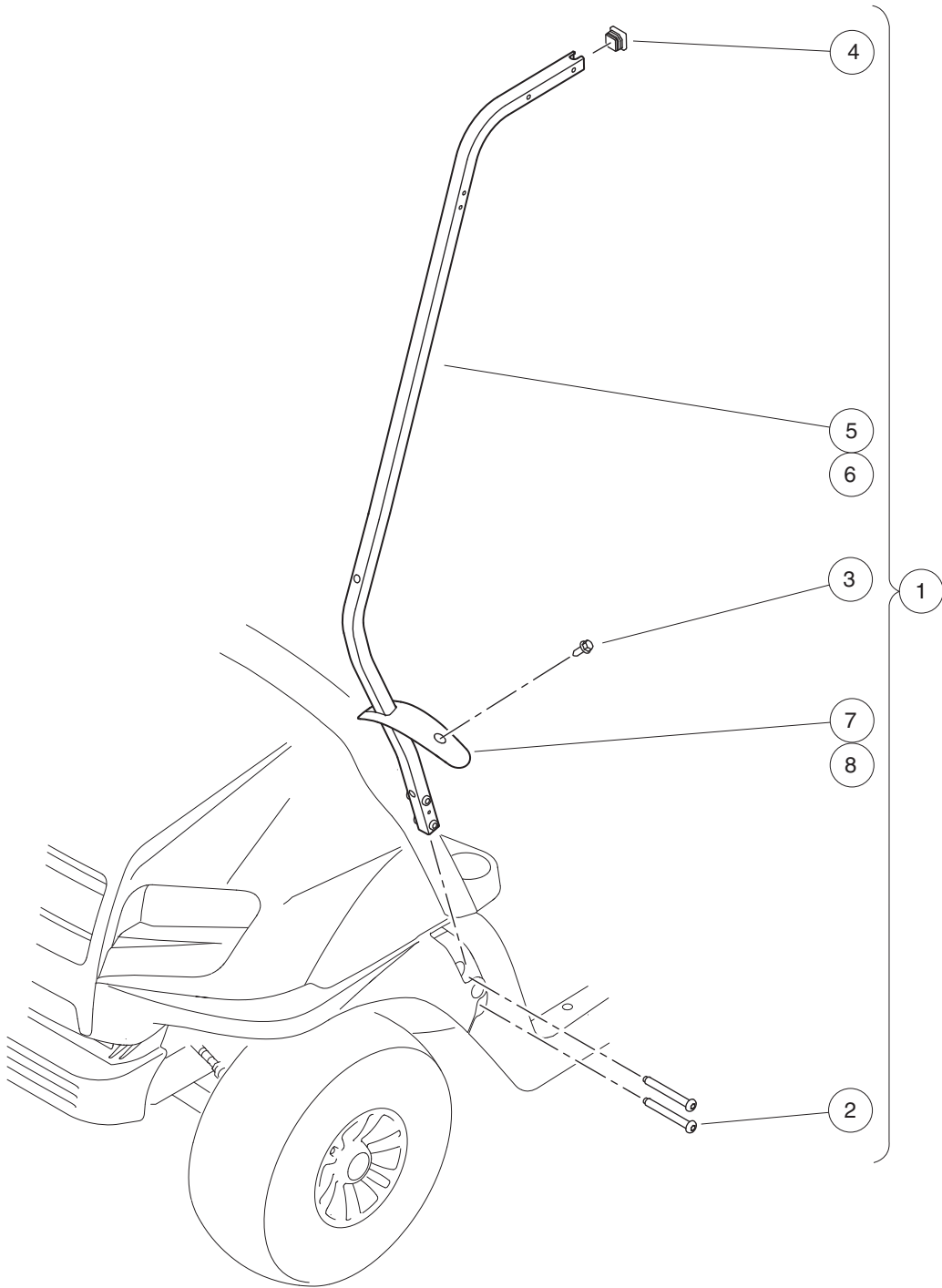
001329-001

## FOUR-PASSENGER CANOPY WITH REAR STRUTS – BEIGE

| ITEM | PART NO.    | DESCRIPTION  | QTY |
|------|-------------|--|-----|
|      |             | 1 2 3 4  |     |
| 1    | 47570464003 | Kit, Canopy, Phantom, Beige (includes items 2 through 7) ..... | 1   |
| 2    | N/A         | Top, Canopy, Phantom Beige .....                               | 1   |
| 3    | N/A         | Strut, Canopy, Phantom Ds .....                                | 1   |
| 4    | N/A         | Strut, Canopy, Phantom Ps .....                                | 1   |
| 5    | 47582821001 | Bracket, Canopy, Phantom Ds .....                              | 1   |
| 6    | 47582821002 | Bracket, Canopy, Phantom Ps .....                              | 1   |
| 7    | 47583112001 | Kit, Hardware, Canopy Phantom .....                            | 1   |

**1**  
**G**  
**E**

**1**  
**G**  
**E**



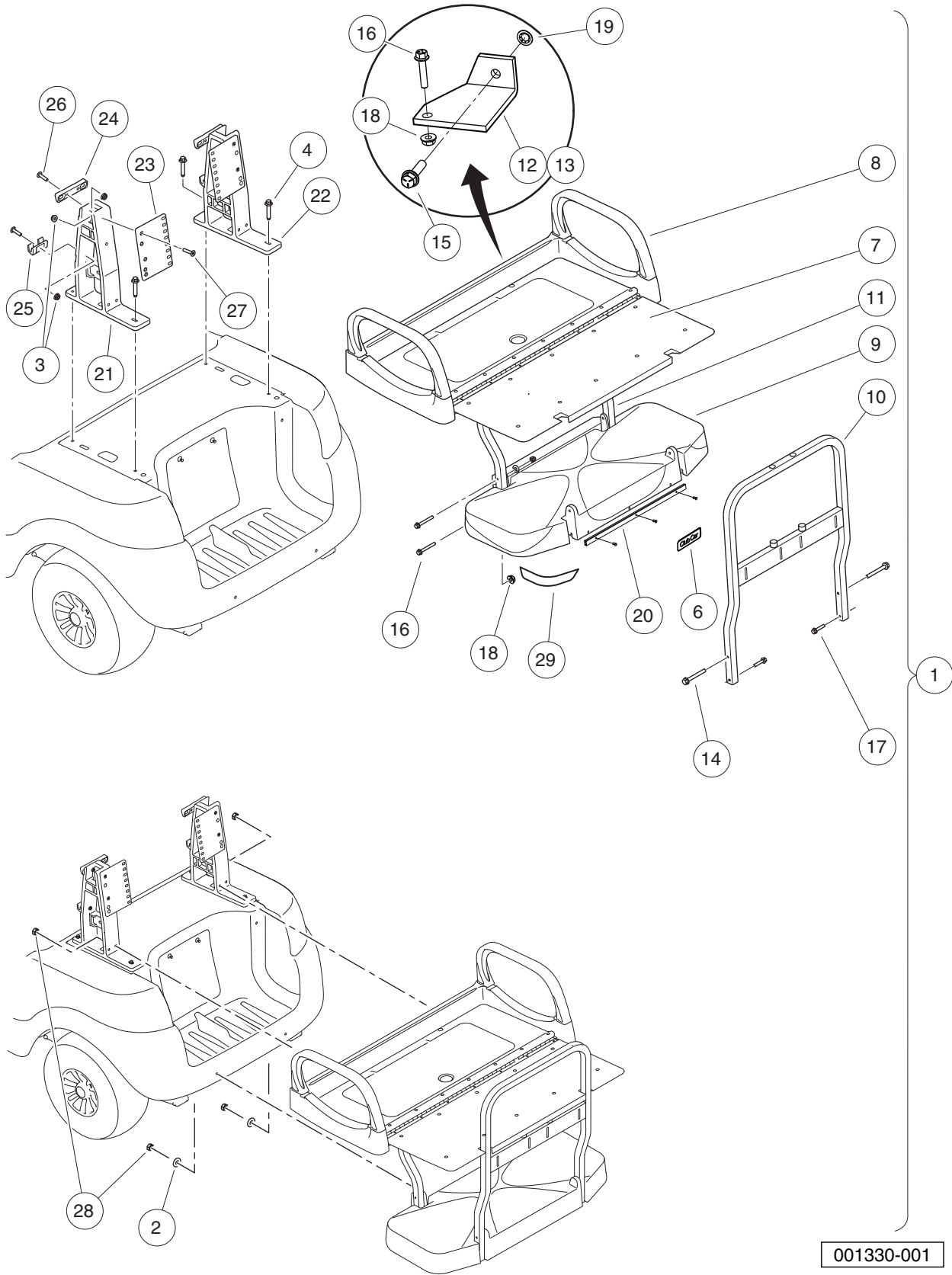
001397-002

# FRONT STRUT KIT, FOUR-PASSENGER CANOPY

| ITEM | PART NO.    | DESCRIPTION   | QTY |
|------|-------------|---|-----|
|      |             | 1 2 3 4   |     |
| 1    | 47592812003 | Kit, Front Struts, Onward, 4Pass (includes items 2 through 8) ..... | 1   |
| 2    | 102299065   | M8-1.25 X 65 Tx Bttn Hd Bolt .....                                  | 4   |
| 3    | 102544201   | Screw, M6 Hex .....   | 2   |
| 4    | 102581201   | Plug, Square - 25.4 mm .....  | 2   |
| 5    | 103750001   | Strut, Canopy Front, Passenger-side .....                           | 1   |
| 6    | 103750101   | Strut, Canopy Front, Driver-side .....                              | 1   |
| 7    | 47631793001 | Cover, Canopy Support, LH .....                                     | 1   |
| 8    | 47631793002 | Cover, Canopy Support, RH .....                                     | 1   |

1  
G  
E

**1**  
**G**  
**E**



001330-001

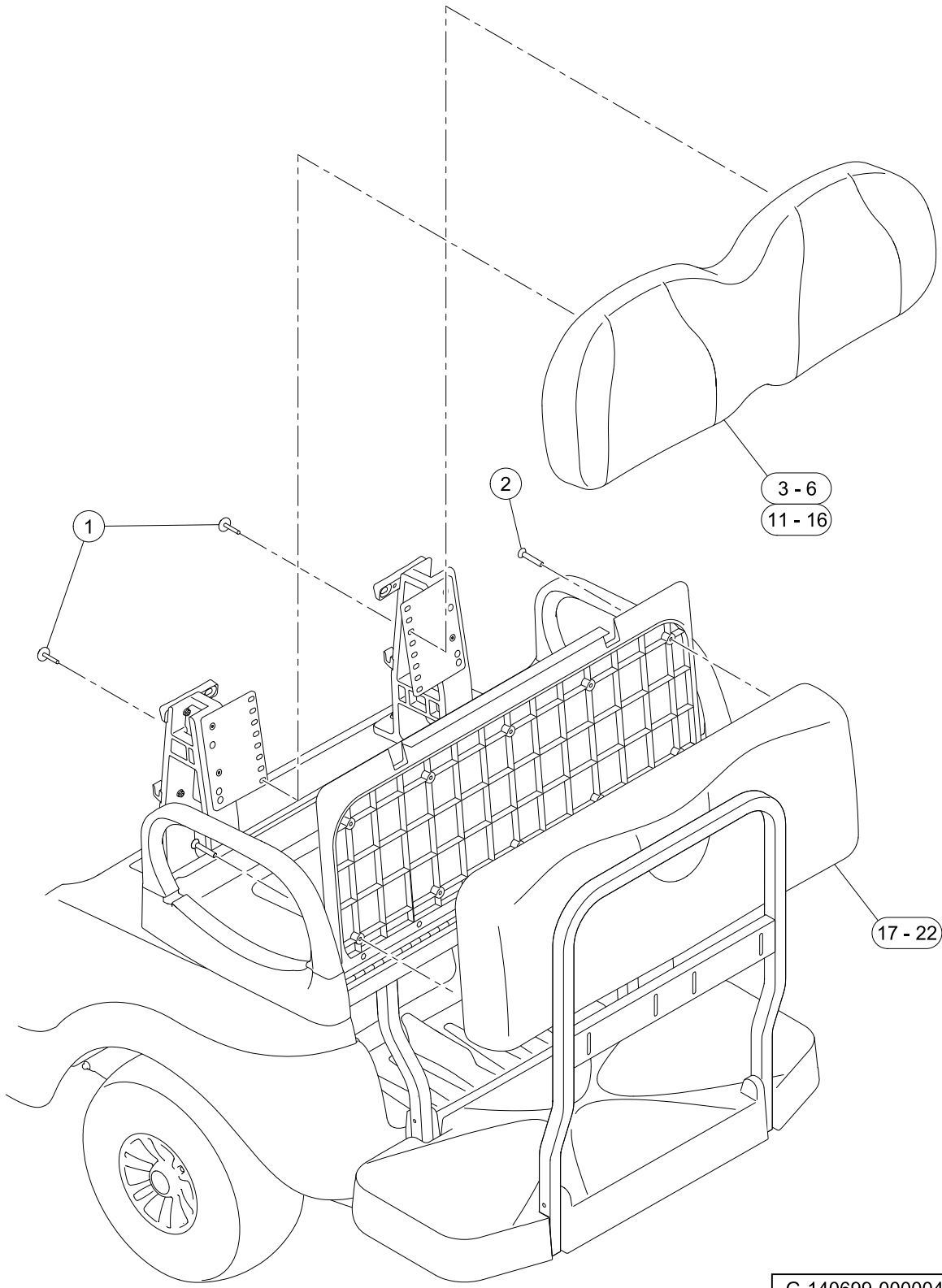


# REAR-FACING SEAT FRAME AND FOOT DECK – CONSUMER CAR

| ITEM | PART NO.    | DESCRIPTION  | QTY |
|------|-------------|--|-----|
|      |             | <b>1 2 3 4</b>   |     |
| 1    | 47592811001 | Kit, Folddown, Seatback, 4-Passenger (includes items 2 through 29) ..... | 1   |
| 2    | 1011578     | Washer, 5/16 Type B Flat .....   | 2   |
| 3    | 101835601   | Locknut, 1/4-20 Hex Whiz .....   | 8   |
| 4    | 102298240   | Bolt, Flange Head, M8-1.25 X 40 .....                                    | 4   |
| 5    | N/A         | Asm, Fold Down Seat, Csmr, MX5 (includes items 6 through 20) .....       | 1   |
| 6    | 102278802   | Decal, Club Car, Silver .....  | 1   |
| 7    | 47564782001 | Assy, Seat Base, Dmd, Mx5 .....  | 1   |
| 8    | 47564783001 | Arm Rest, Mx5 .....  | 2   |
| 9    | 47564784001 | Assy, Foot Rest, Mx5 .....   | 1   |
| 10   | 47564785001 | Grab Bar, Rear, Mx5 .....  | 1   |
| 11   | 47564786001 | Support, Bumper Mount, MX5 .....   | 1   |
| 12   | 47564787001 | Bracket, Seat Base Mount, Driver-side, MX5 .....                         | 1   |
| 13   | 47564787002 | Bracket, Seat Base Mount, Passenger-side, MX5 .....                      | 1   |
| 14   | 47568672001 | Bolt,5/16-18x2.5 Hx Flg Zn G8 .....                                      | 4   |
| 15   | 47568673001 | Bolt,5/16-18x1.25 Hx Flg Zn G5 .....                                     | 2   |
| 16   | 47568674001 | Bolt,1/4-20x2.0 Hx Flg Zn G5 .....                                       | 6   |
| 17   | 47568674002 | Bolt,1/4-20x1.25 Hx Flg Zn G5 .....                                      | 4   |
| 18   | 47568676001 | Nut,1/4-20 Hx Flg Zn Nyloc .....   | 10  |
| 19   | 47568677001 | Nut, 5/16, Push, Ps .....  | 4   |
| 20   | 47581051001 | Stiffener, Foot Rest, Mx5 .....  | 1   |
| 21   | 47563300001 | Support, Seat Back, Driver-side, MX5, Csmr .....                         | 1   |
| 22   | 47563300002 | Support, Seat Back, Passenger-side, MX5, Csmr .....                      | 1   |
| 23   | 47563301001 | Bracket, Seat Back, Rear, Csmr .....                                     | 2   |
| 24   | 47563302001 | Brkt, St Bk, Frnt, Top, Csmr .....                                       | 2   |
| 25   | 47563303001 | Bracket, Seat Back, Front, Bottom, CSMR .....                            | 2   |
| 26   | 47563304001 | Screw, Trshd, 1/4-20x1.00, Lp .....                                      | 4   |
| 27   | 47563305001 | Screw, Flthd, 1/4-20x1.25, Lp .....                                      | 4   |
| 28   | 47568675001 | Nut,5/16-18 Hx Flg Zn Nyloc .....  | 4   |
| 29   | 47578327001 | Reflector, Reflex, Red, Mx5 .....  | 2   |

**1**  
**G**  
**E**

**1**  
**G**  
**E**



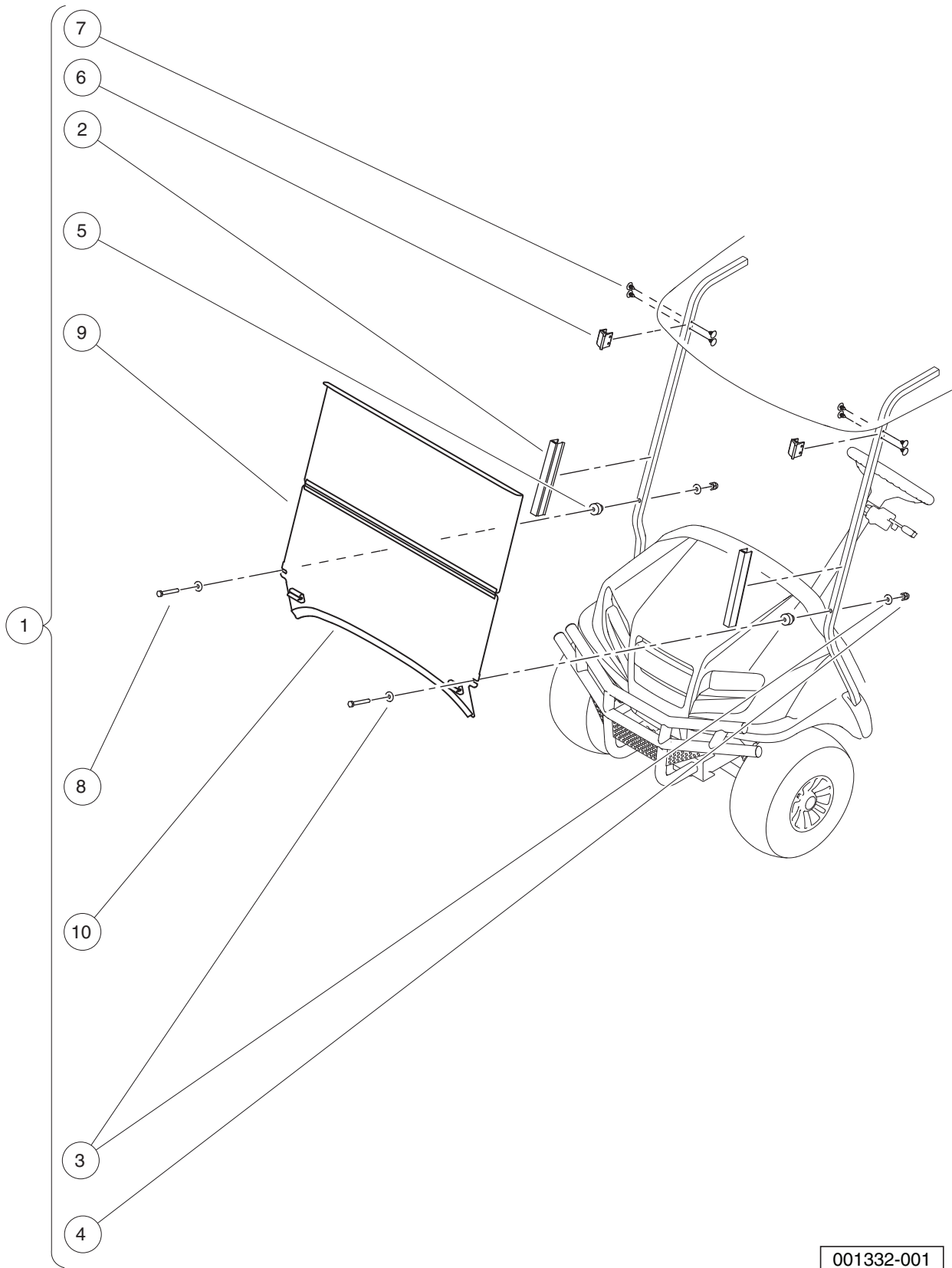
G-140699-000004

# REAR-FACING SEAT

| ITEM | PART NO.    | DESCRIPTION  | QTY |
|------|-------------|--|-----|
|      |             | 1 2 3 4  |     |
| 1    | 47563306001 | Screw, M6x1.0x30, Sems, Lp .....   | 4   |
| 2    | 47563307001 | Screw, Flthd, 1/4-20x1.50, Ss .....  | 10  |
| 3    | 47564886021 | Asm, Seat Back, Rear, Beige, Service Replacement .....   | 1   |
| 4    | 47564886022 | Asm, Seat Back, Rear, White, Service Replacement .....   | 1   |
| 5    | 47564886024 | Asm, Seat Back, Rear, Gray, Service Replacement .....  | 1   |
| 6    | 47564886025 | Asm, Seat Back, Rear, Black, Service Replacement .....   | 1   |
| 7    | 47564887021 | Asm, Seat Bottom, Rear, Beige, Service Replacement .....   | 1   |
| 8    | 47564887022 | Asm, Seat Bottom, Rear, White, Service Replacement .....   | 1   |
| 9    | 47564887024 | Asm, Seat Bottom, Rear, Gray, Service Replacement .....  | 1   |
| 10   | 47564887025 | Asm, Seat Bottom, Rear, Black, Service Replacement .....   | 1   |
| 11   | 47564888021 | Asm, Seat Back, Rear, Lt. Beige, Service Replacement .....   | 1   |
| 12   | 47564888022 | Asm, Seat Back, Rear, Camello, Service Replacement .....   | 1   |
| 13   | 47564888023 | Asm, Seat Back, Rear, Off-White, Service Replacement .....   | 1   |
| 14   | 47564888025 | Asm, Seat Back, Rear, Camello/Off-White, Service Replacement .....                                       | 1   |
| 15   | 47564888027 | Asm, Seat Back, Rear, Black, Service Replacement .....   | 1   |
| 16   | 47564888028 | Asm, Seat Back, Rear, Black/Gray, Service Replacement .....  | 1   |
| 17   | 47564889021 | Asm, Seat Bottom, Rear, Lt. Beige, Service Replacement .....   | 1   |
| 18   | 47564889022 | Asm, Seat Bottom, Rear, Camello, Service Replacement .....   | 1   |
| 19   | 47564889023 | Asm, Seat Bottom, Rear, Off-White, Service Replacement .....   | 1   |
| 20   | 47564889025 | Asm, Seat Bottom, Rear, Camello/Off-White, Service Replacement .....                                     | 1   |
| 21   | 47564889027 | Asm, Seat Bottom, Rear, Black, Service Replacement .....   | 1   |
| 22   | 47564889028 | Asm, Seat Bottom, Rear, Black/Gray, Service Replacement .....  | 1   |
|      |             | <p>Note: For current or additional color options, contact your local Club Car dealer or distributor.</p> |     |

1  
G  
E

**1**  
**G**  
**E**



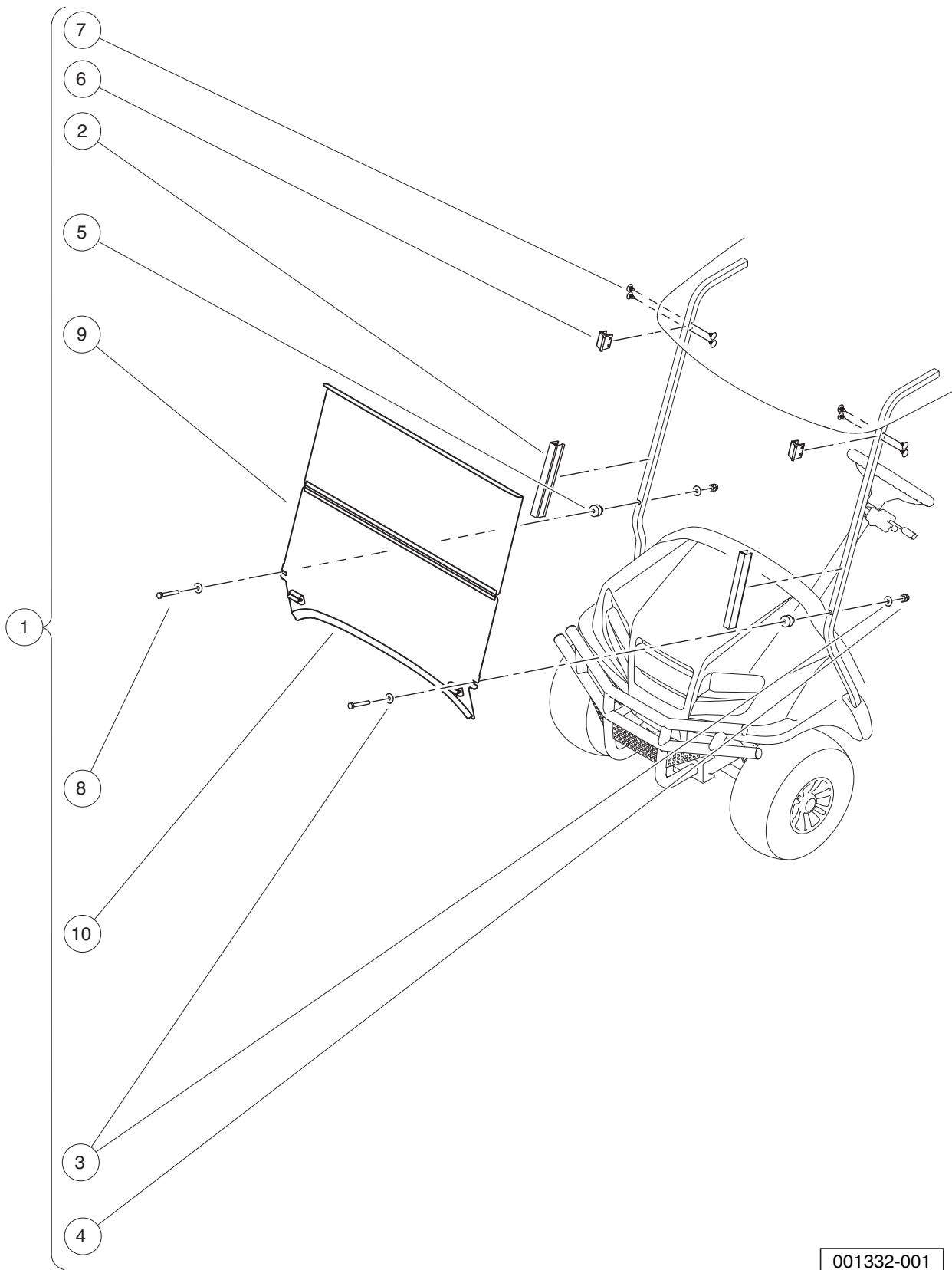
001332-001

# HINGED WINDSHIELD, CLEAR

| ITEM | PART NO.    | DESCRIPTION  | QTY |
|------|-------------|--|-----|
|      |             | 1 2 3 4  |     |
| 1    | 47576798001 | Kit, Std Hinged W/s, Csmr (includes items 2 through 9) ..... | 1   |
| 2    | 102163001   | Windshield Channel .....                                     | 2   |
| 3    | 102296301   | Washer, M6x18x1.6 Flat .....                                 | 4   |
| 4    | 102582401   | Cap Nut M6, Sp .....   | 2   |
| 5    | 102947601   | Grommet, Windshield .....                                    | 2   |
| 6    | 103677101   | W/s, Rubber, Clip Retainer .....                             | 2   |
| 7    | 103754901   | Fastener, Barrel - .610 X .25 .....                          | 8   |
| 8    | 105289701   | M6x1.0x48 Hex Hd Bolt-blk .....                              | 2   |
| 9    | 47576797001 | Asm Hinged/windshield Consumer (includes item 10) .....      | 1   |
| 10   | 47576796001 | Bulb Seal, Windshield .....                                  | 1   |

1  
G  
E

**1**  
**G**  
**E**



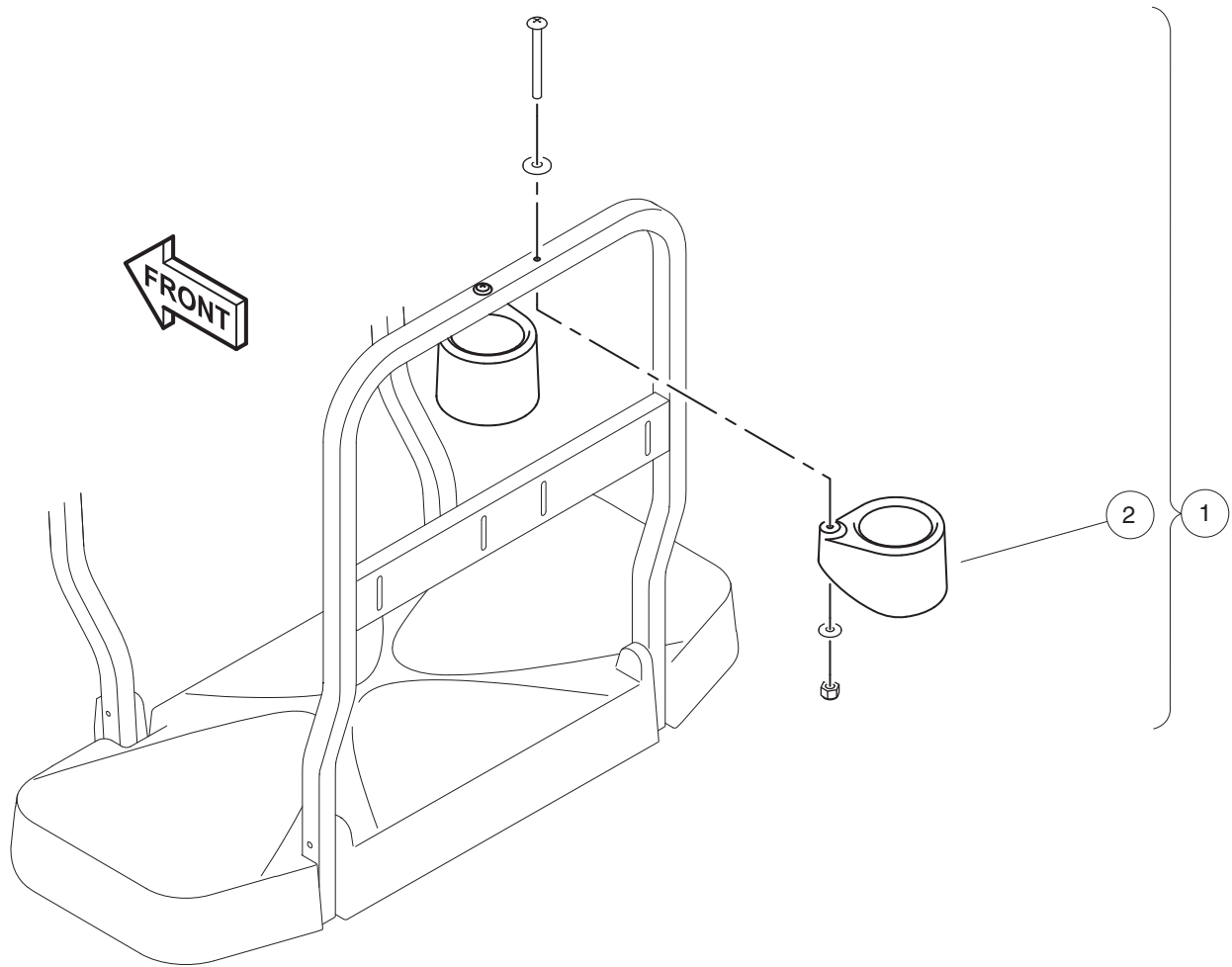
001332-001

# HINGED WINDSHIELD, TINTED

| ITEM | PART NO.    | DESCRIPTION  | QTY |
|------|-------------|--|-----|
|      |             | 1 2 3 4  |     |
| 1    | 47579760001 | Kit, Hinged W/s Tinted, Cnsmr (includes items 2 through 9) ..... | 1   |
| 2    | 102163001   | Windshield Channel .....   | 2   |
| 3    | 102296301   | Washer, M6x18x1.6 Flat .....                                     | 4   |
| 4    | 102582401   | Cap Nut M6, Sp .....   | 2   |
| 5    | 102947601   | Grommet, Windshield .....  | 2   |
| 6    | 103677101   | W/s, Rubber, Clip Retainer .....                                 | 2   |
| 7    | 103754901   | Fastener, Barrel - .610 X .25 .....                              | 8   |
| 8    | 105289701   | M6x1.0x48 Hex Hd Bolt-blk .....                                  | 2   |
| 9    | 47579759001 | Asm Hinged/ws Tinted Cnsmr (includes item 10) .....              | 1   |
| 10   | 47576796001 | Bulb Seal, Windshield .....                                      | 1   |

1  
G  
E

**1**  
**G**  
**E**



001333-001

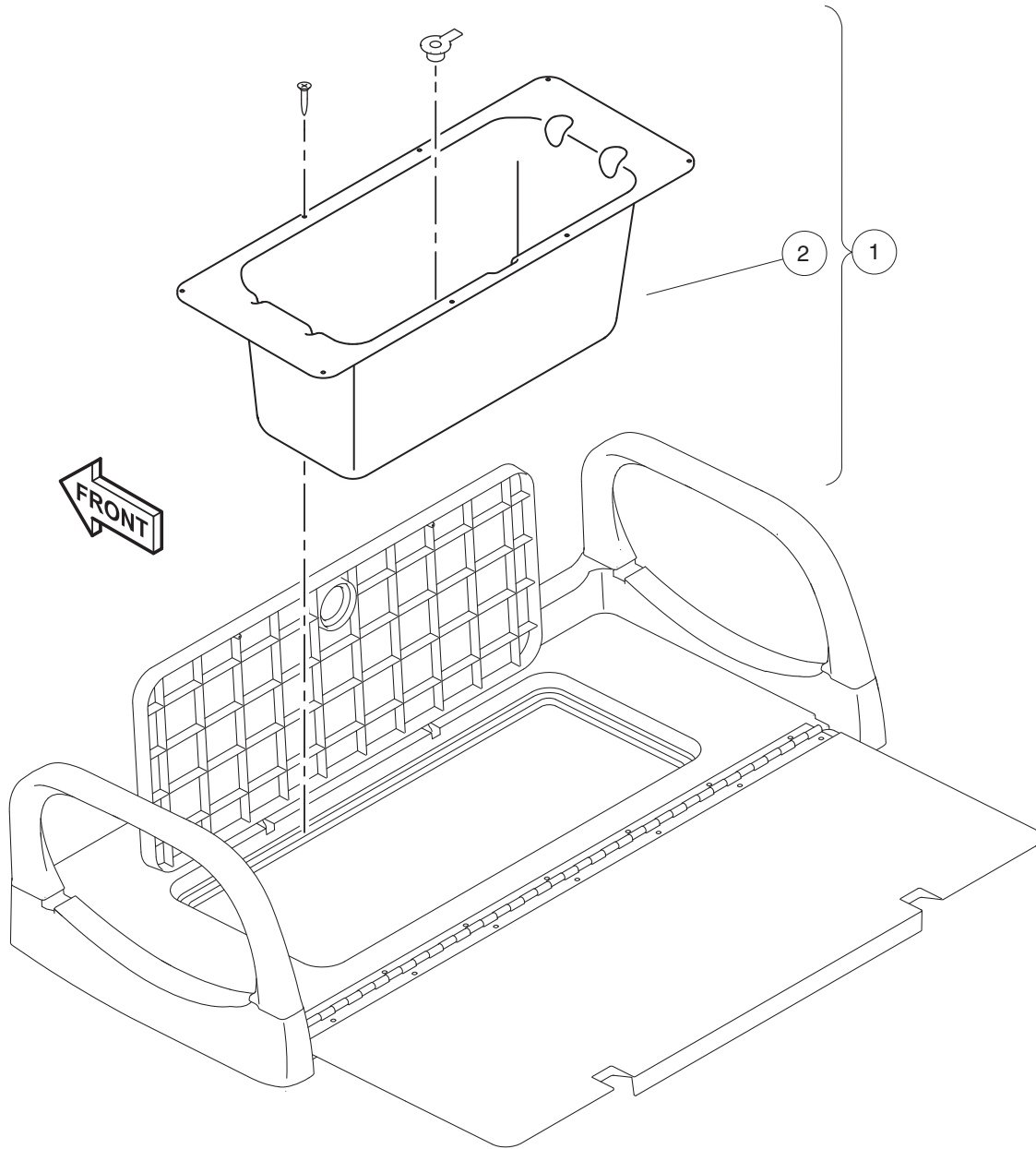


# BEVERAGE HOLDER

| ITEM | PART NO.    | DESCRIPTION   | QTY |
|------|-------------|---|-----|
| 1    | 47579985001 | 1 2 3 4<br>Kit, Holder, Beverage, Mx5 (includes item 2) ..... | 1   |
| 2    | 47582270001 | Assy, Holder, Beverage, Mx5 .....                             | 2   |

**1**  
**G**  
**E**

**1**  
**G**  
**E**



001334-001

# BUCKET STORAGE

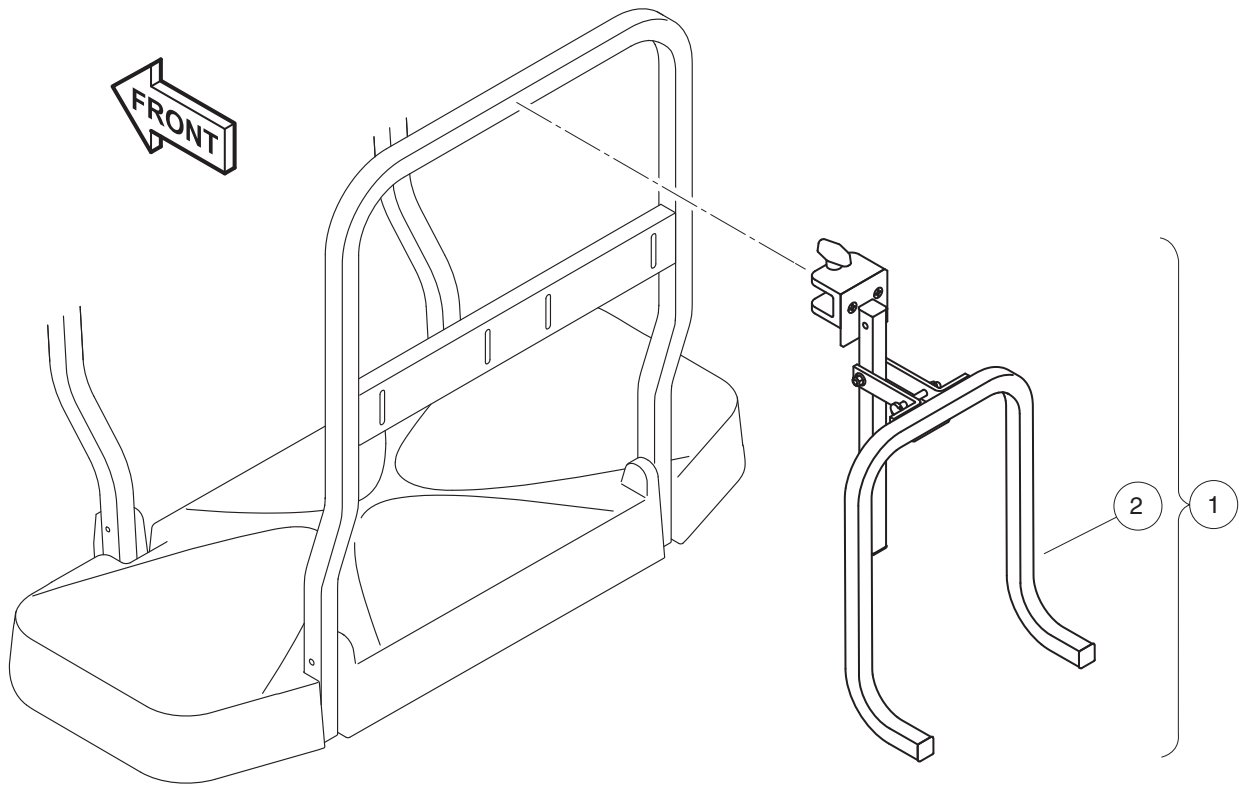
| ITEM | PART NO.    | DESCRIPTION  | QTY |
|------|-------------|--|-----|
| 1    | 47579986001 | 1 2 3 4<br>Kit, Bucket, Storage, Mx5 (includes item 2) ..... | 1   |
| 2    | 47582271001 | Assy, Bucket, Storage, Mx5 .....                             | 1   |

1

G

E

**1**  
**G**  
**E**



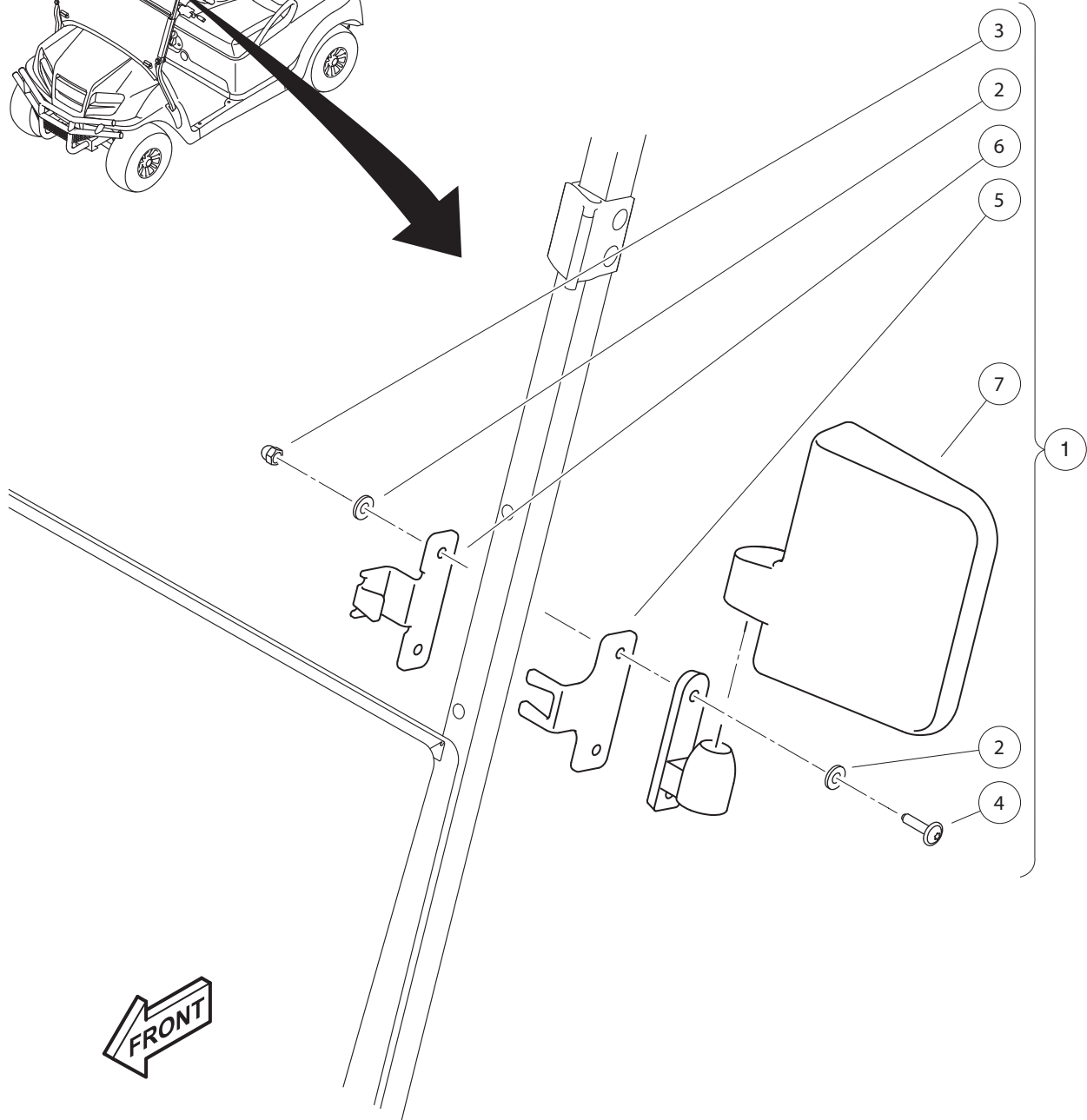
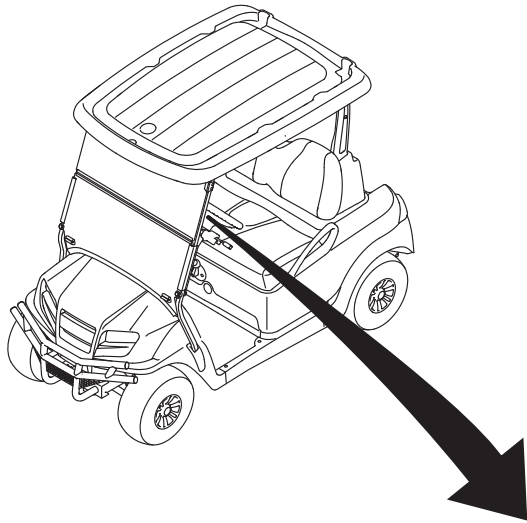
001335-001

# CHAIR HOLDER

| ITEM | PART NO.    | DESCRIPTION  | QTY |
|------|-------------|--|-----|
| 1    | 47570465001 | 1 2 3 4<br>Kit, Holder, Chair, Mx5 (includes item 2) ..... | 1   |
| 2    | N/A         | Assy, Holder, Chair, Mx5 .....                             | 1   |

**1**  
**G**  
**E**

**1**  
**G**  
**E**



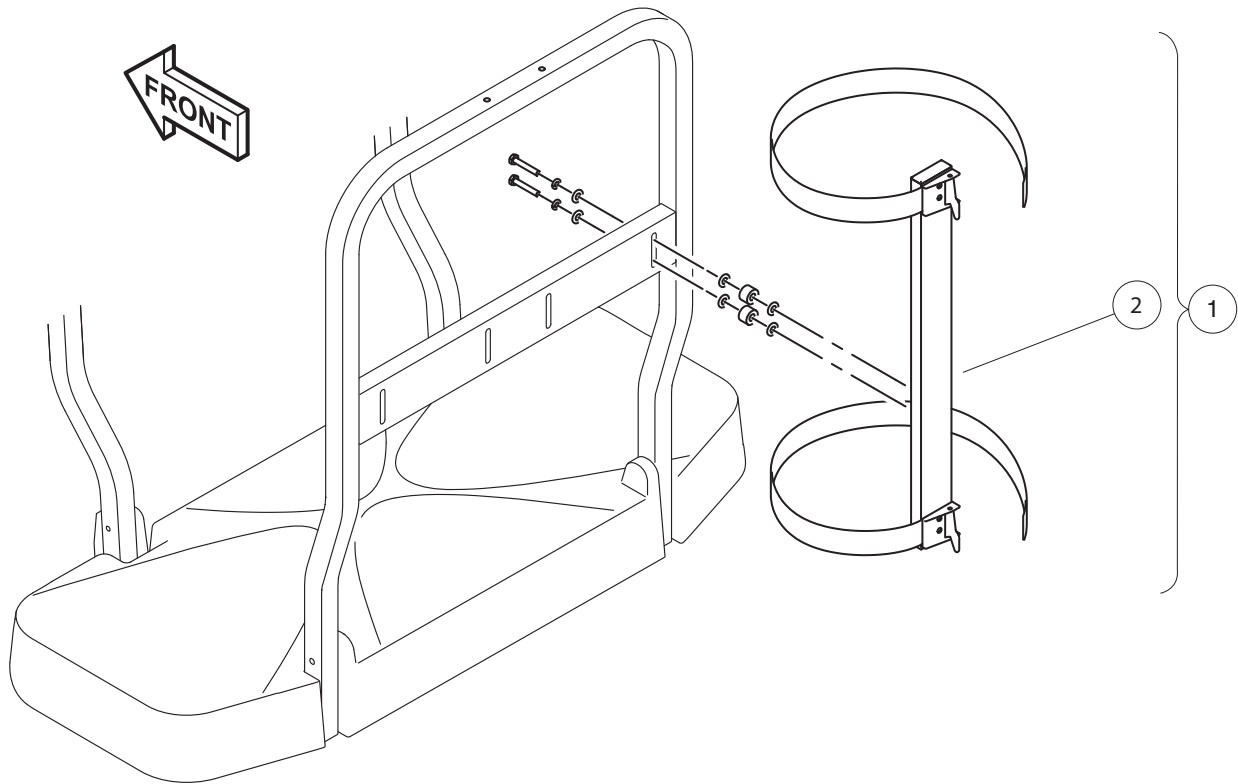
001336-001

# MIRRORS, SIDE

| ITEM | PART NO.    | DESCRIPTION  | QTY |
|------|-------------|--|-----|
|      |             | <b>1 2 3 4</b>   |     |
| 1    | 47577558001 | Kit, Side Mirrors, Csmr (includes items 2 through 7) ..... | 1   |
| 2    | 102324901   | Washer, Flat, 1/4", Blk .....                              | 8   |
| 3    | 102582401   | Cap Nut M6, Sp .....                                       | 4   |
| 4    | 47577554001 | Screw, M6, Torx T30 Recess .....                           | 4   |
| 5    | 47577555001 | Mirror Bracket, Mnt, Outer .....                           | 2   |
| 6    | 47577556001 | Mirror Bracket, Mnt, Inner .....                           | 2   |
| 7    | 47577557001 | Asm Side Mirrors, Res .....                                | 1   |

**1**  
**G**  
**E**

**1**  
**G**  
**E**



001337-001

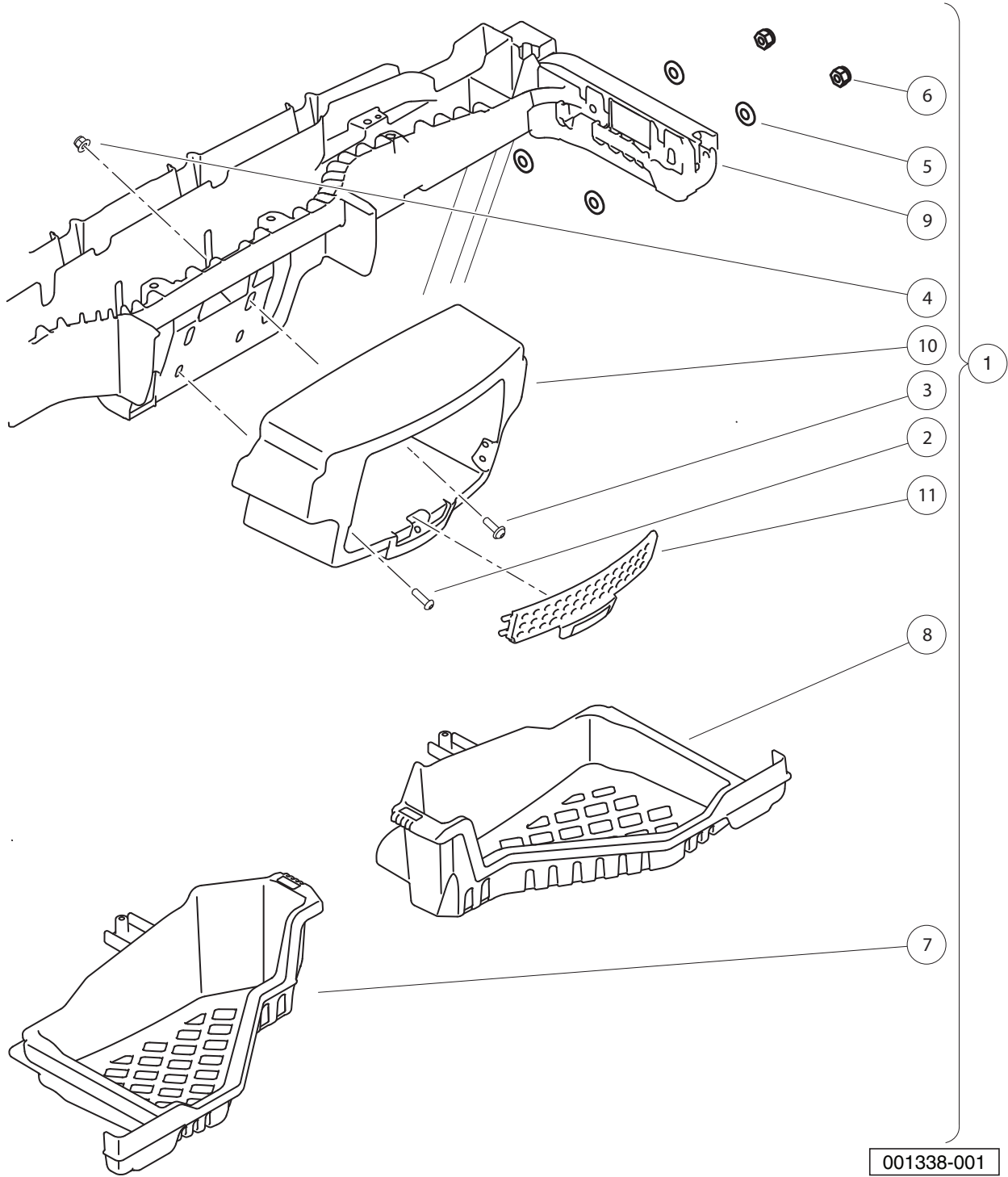


# GOLF BAG HOLDER

| ITEM | PART NO.    | DESCRIPTION   | QTY |
|------|-------------|---|-----|
| 1    | 47570463001 | 1 2 3 4<br>Kit, Holder, Golf Bag, Mx5 (includes item 2) ..... | 1   |
| 2    | 47582268001 | Assy, Holder, Golf Bag, Mx5 .....                             | 1   |

**1**  
**G**  
**E**

**1**  
**G**  
**E**



# OVERHEAD STORAGE

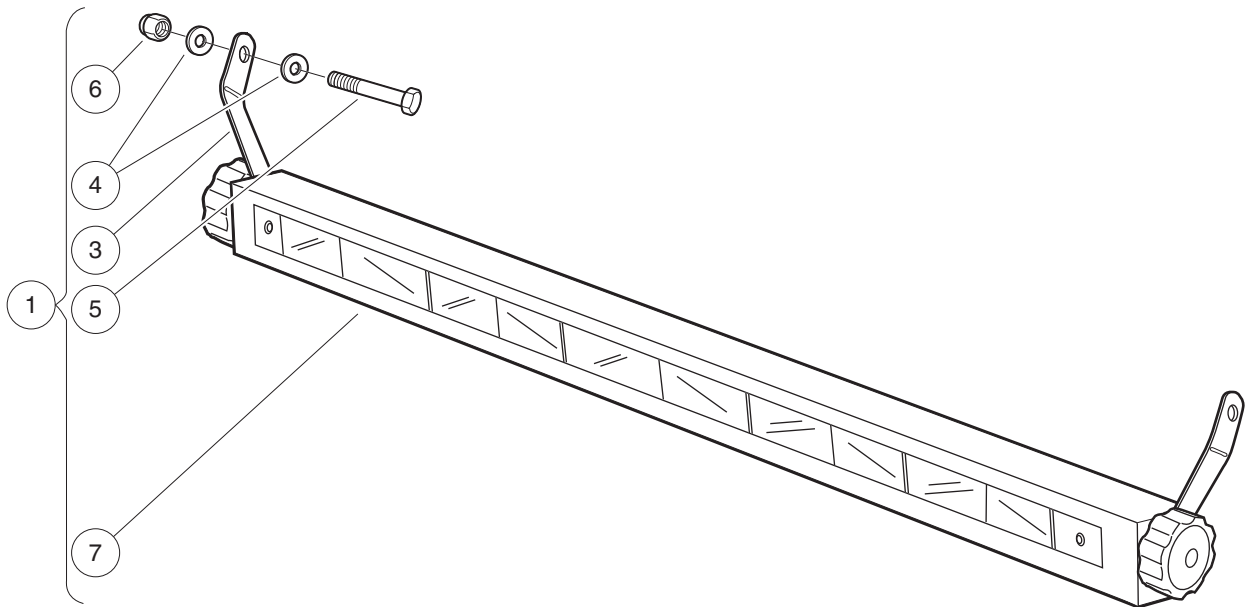
| ITEM | PART NO.    | DESCRIPTION   | QTY |
|------|-------------|---|-----|
|      |             | <b>1 2 3 4</b>  |     |
| 1    | 47582822001 | Kit, Ovh Storage System (includes items 2 through 11) ..... | 1   |
| 2    | 102296150   | Bolt - M6x1.0x50 Hex Flng Hd .....                          | 4   |
| 3    | 102296920   | Screw, M6, Torx Button Head, Sems .....                     | 2   |
| 4    | 102621501   | Nut, Flange, M6 X 1.0, Nylon .....                          | 2   |
| 5    | 103196001   | Washer, Conical Spring, Canopy .....                        | 8   |
| 6    | 103200301   | Nut, M6 x 1.00 .....  | 4   |
| 7    | 47559264001 | Basket, Overhead, Driver-side .....                         | 1   |
| 8    | 47559264002 | Basket, Overhead, Passenger-side .....                      | 1   |
| 9    | 47559265002 | Support, Display Unit, Bt .....                             | 1   |
| 10   | 47581131001 | Storage Unit, Center, Csmr .....                            | 1   |
| 11   | 47581132001 | Closeout, Plastic, Perforated .....                         | 1   |

**1**  
**G**  
**E**

1

G

E



000720-005

# MIRROR, 5-PANEL

| ITEM | PART NO.   | DESCRIPTION  | QTY |
|------|------------|--|-----|
|      |            | <b>1 2 3 4</b>   |     |
| 1    | AM15028001 | Kit, Mirror 5 Panel, Csmr Pack (includes item 2) ..... | 1   |
| 2    | 105288901  | Mirror Kit, Wink (includes items 3 through 7) .....    | 1   |
| 3    | 105313801  | Brkt, Mirror, 5 Panel, Mtg .....                       | 2   |
| 4    | 332        | Washer, 1/4 Type A Narrow Flat .....                   | 8   |
| 5    | 7311       | Screw, 1/4-20 X 2.00 Hex-Head Cap .....                | 2   |
| 6    | 8233       | Locknut, 1/4-20, Nylon Insert .....                    | 2   |
| 7    | AM10092    | ICS 5-Panel Mirror .....                               | 1   |
|      |            | Note: Item 2 is not illustrated.                       |     |

**1**  
**G**  
**E**

**1**

**G**

**E**

# WHEELS AND TIRES

---

2

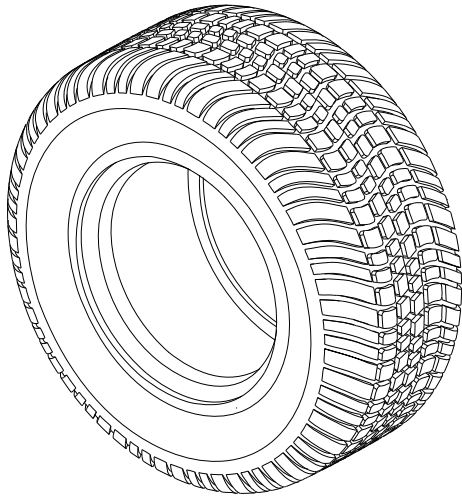
G

E

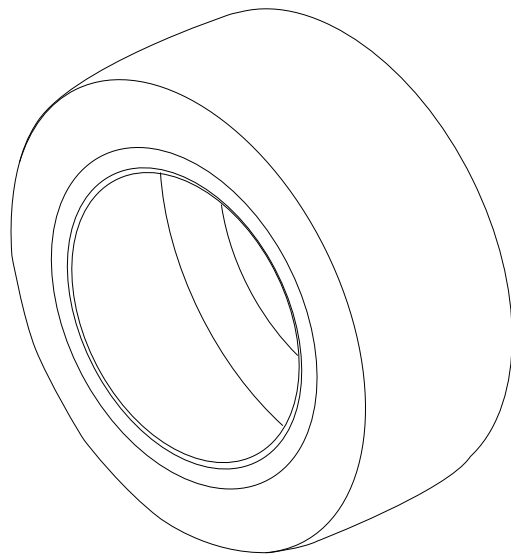
2

G

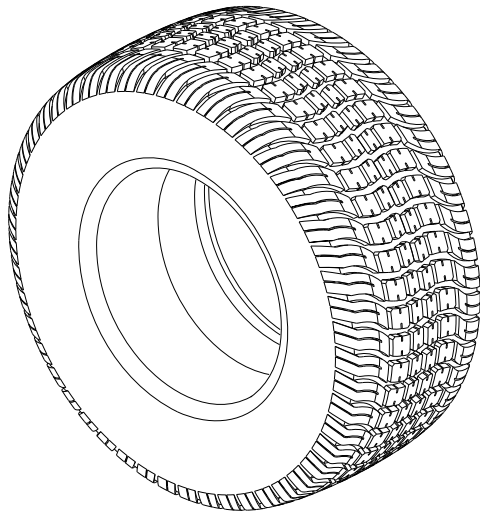
E



1



2 3



4

G-090099-000005



# TIRES – ONWARD

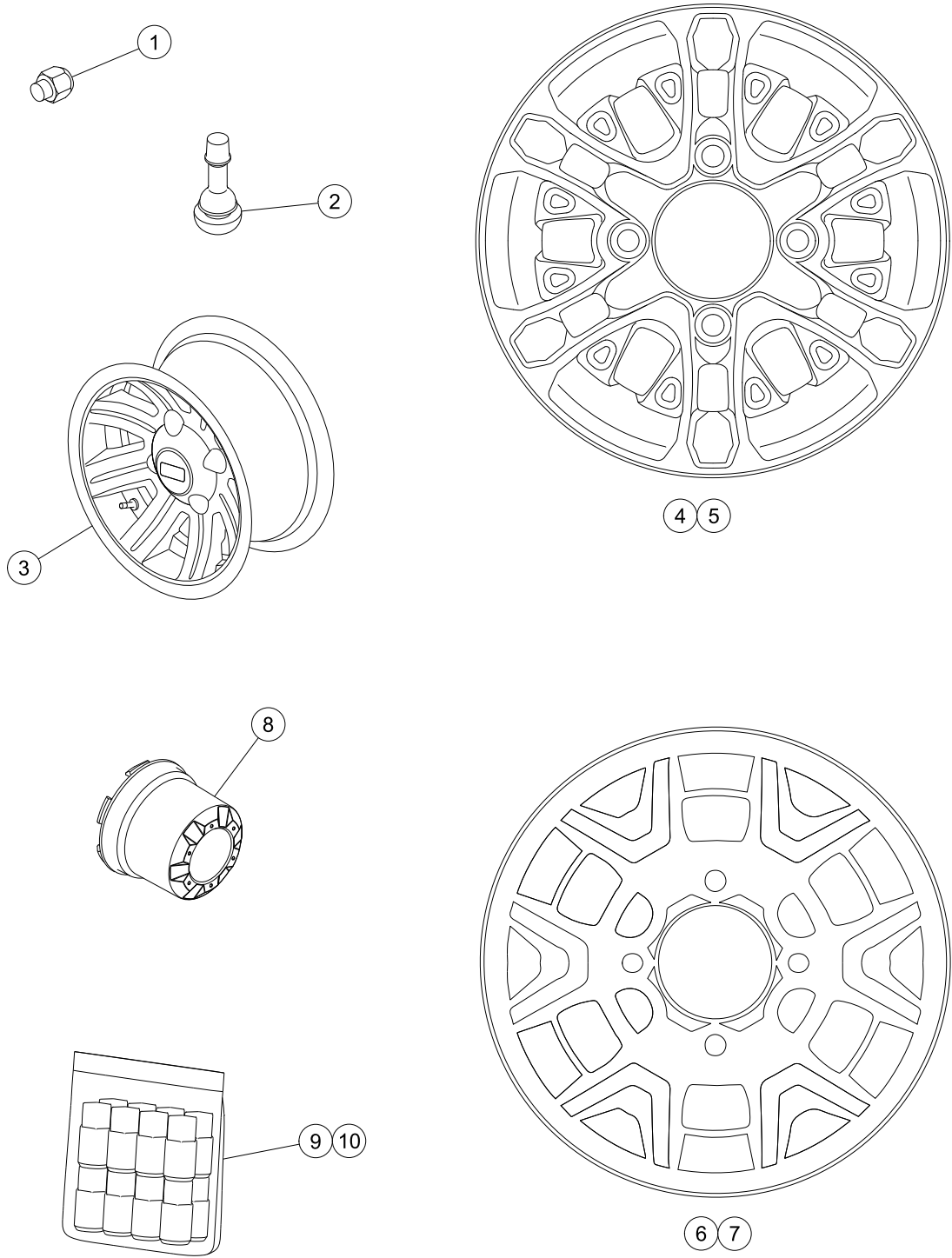
| ITEM | PART NO.    | DESCRIPTION   | QTY |
|------|-------------|---|-----|
|      |             | 1 2 3 4   |     |
| 1    | 102556701   | Tire, Pro Tour, 205-50 X 10 .....   | A/R |
| 2    | 47561633001 | Tire, 22x10-10 Kraken .....   | A/R |
| 3    | 47561635001 | Tire, 23x10-14 Kraken .....   | A/R |
| 4    | 47561636001 | Tire, 205/55-10 Loadstar .....  | A/R |
|      |             | <p>Note: For additional tire options that may be available, please contact your local Club Car dealer or distributor.</p> |     |

2

G

E

**2**  
**G**  
**E**



G-090099-000004

# WHEELS – ONWARD

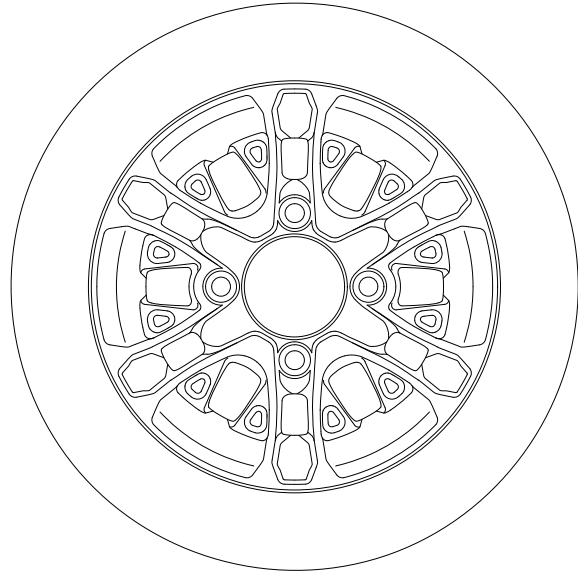
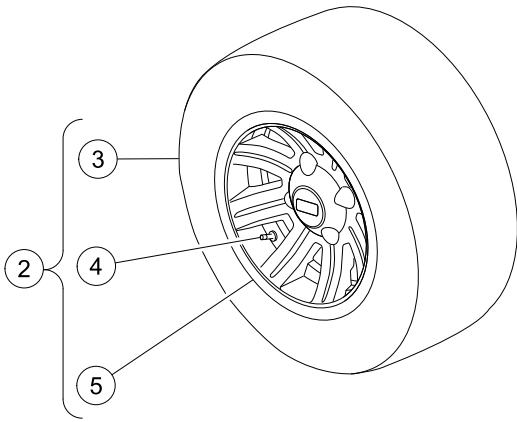
| ITEM   | PART NO.    | DESCRIPTION  | QTY |
|--|-------------|--|-----|
|  |             | 1 2 3 4  |     |
| 1  | 102540701   | Lug Nut, 1/2" Closed End .....                     | A/R |
| 2  | 103832401   | Valve Stem With Cap, Chrome .....                  | A/R |
| 3  | 103934901   | Wheel, Aluminum 10x6, 8 Spoke .....                | A/R |
| 4  | 47561638001 | Wheel, Mercury, 10", Gloss Blk .....               | A/R |
| 5  | 47561640001 | Wheel, Mercury, 14", Gloss Blk .....               | A/R |
| 6  | 47561641001 | Wheel, Atlas, 10", Gloss Blk .....                 | A/R |
| 7  | 47561643001 | Wheel, Atlas, 14", Gloss Blk .....                 | A/R |
| 8  | 47562949001 | Cap, Center, Chrome .....                          | A/R |
| 9  | N/A         | Kit, Lugnut, Csmr, Lifted (includes item 10) ..... | A/R |
| 10   | 47562951001 | Nut, Lug, 17x1/2-20, Chrome .....                  | 16  |
| <p>Note: For additional wheel options that may be available, please contact your local Club Car dealer or distributor.</p> |             |  |     |

2

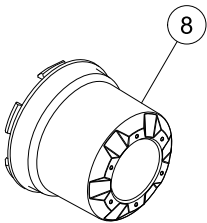
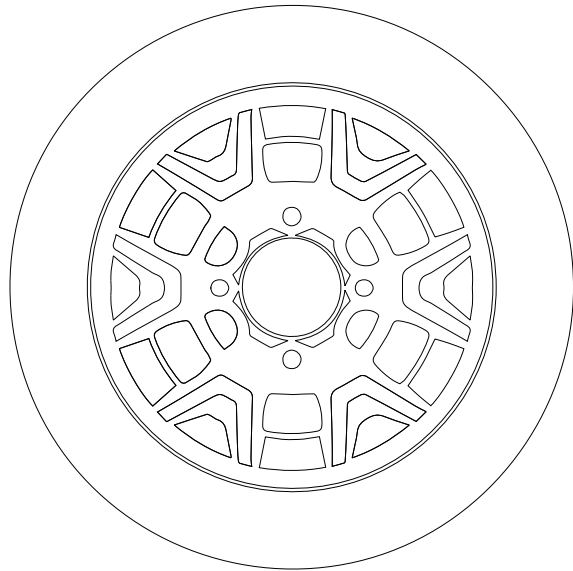
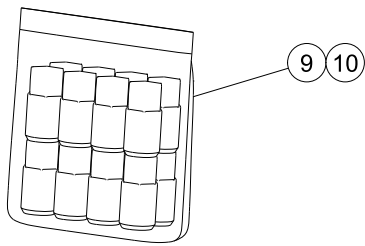
G

E

**2**  
**G**  
**E**



FOR DRIVER AND PASSENGER SIDE (6)



FOR DRIVER AND PASSENGER SIDE (7)

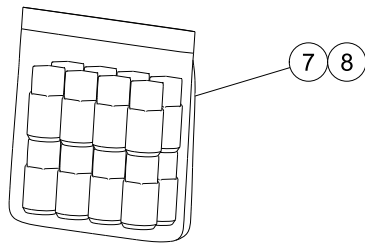
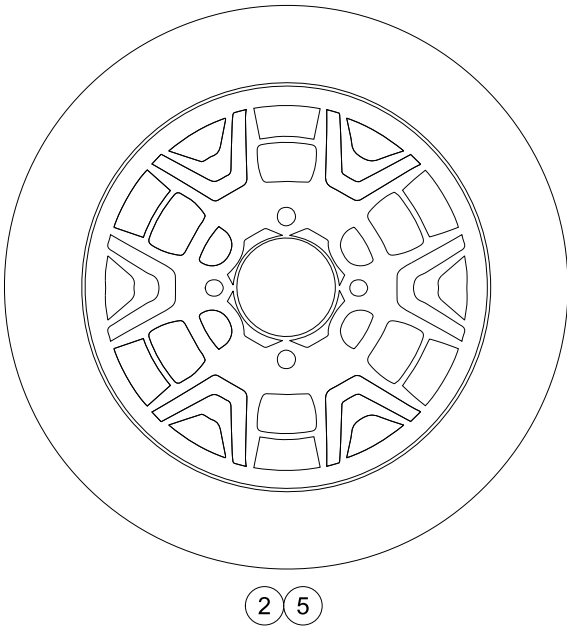
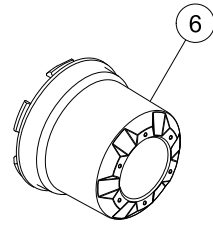
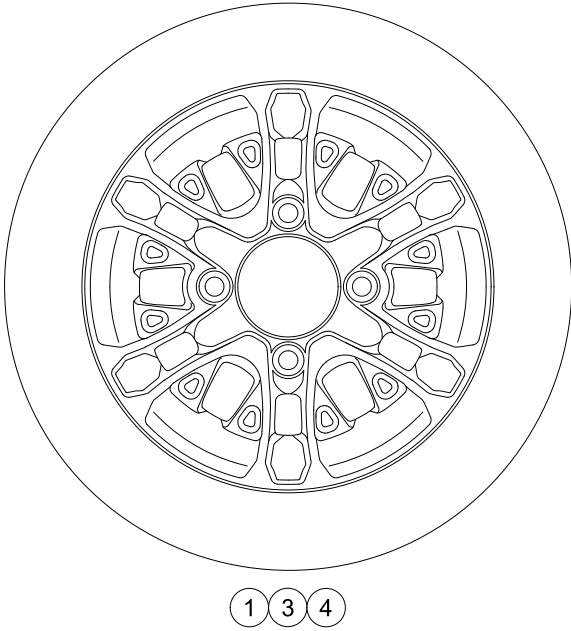
G-090099-000002

# WHEEL AND TIRE ASSEMBLIES – ONWARD, STANDARD HEIGHT

| ITEM  | PART NO.    | DESCRIPTION  | QTY |
|---|-------------|--|-----|
|   |             | <b>1 2 3 4</b>   |     |
| 1   | 102540701   | Lug Nut, 1/2" Closed End .....   | 16  |
| 2   | 103935001   | Tire and Wheel, 10", 8 Spoke, Alum. (includes items 3 through 5) ..... | 4   |
| 3   | 102556701   | Tire, Pro Tour, 205-50 X 10 .....                                      | 1   |
| 4   | 103832401   | Valve Stem With Cap, Chrome .....                                      | 1   |
| 5   | 103934901   | Wheel, Aluminum 10x6, 8 Spoke .....                                    | 1   |
| 6   | 47561646004 | Asm, 205/55-10, Ls, Mer,gb,cc .....                                    | 4   |
| 7   | 47561647004 | Asm, 205/55-10, Ls, Atl,gb,cc .....                                    | 4   |
| 8   | 47562949001 | Cap, Center, Chrome .....  | 4   |
| 9   | N/A         | Kit, Lugnut, Csmr, Lifted (includes item 10) .....                     | 1   |
| 10  | 47562951001 | Nut, Lug, 17x1/2-20, Chrome .....                                      | 16  |
| <p>Note: For additional wheel and tire options that may be available, please contact your local Club Car dealer or distributor.</p> |             |  |     |

**2**  
**G**  
**E**

**2**  
**G**  
**E**



G-090099-000003

## WHEEL AND TIRE ASSEMBLIES – ONWARD, LIFTED

| ITEM  | PART NO.    | DESCRIPTION   | QTY |
|---|-------------|---|-----|
|   |             | 1 2 3 4   |     |
| 1   | 47561644004 | Asm, 22x10-10 Krkn, Mer,gb,cc .....                 | 4   |
| 2   | 47561645004 | Asm, 22x10-10 Krkn, Atl,gb,cc .....                 | 4   |
| 3   | 47562947002 | Asm, 23x10-14 Kraken, Mercury 14" Matte Black ..... | 4   |
| 4   | 47562947004 | Asm, 23x10-14 Krkn, Mer,gb,cc .....                 | 4   |
| 5   | 47562948004 | Asm, 23x10-14 Krkn, Atl,gb,cc .....                 | 4   |
| 6   | 47562949001 | Cap, Center, Chrome .....                           | 4   |
| 7   | N/A         | Kit, Lugnut, Csmr, Lifted (includes item 8) .....   | 1   |
| 8   | 47562951001 | Nut, Lug, 17x1/2-20, Chrome .....                   | 16  |
| <p>Note: For additional wheel and tire options that may be available, please contact your local Club Car dealer or distributor.</p> |             |   |     |

2  
G  
E

**2**

**G**

**E**



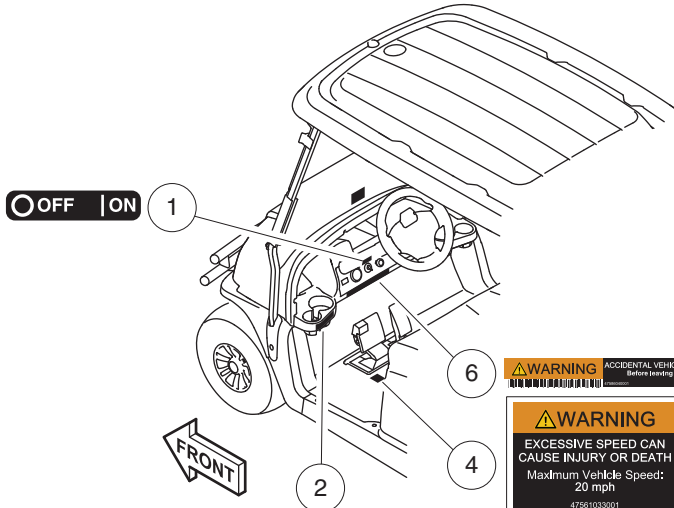
# DECALS

---

3

G

E

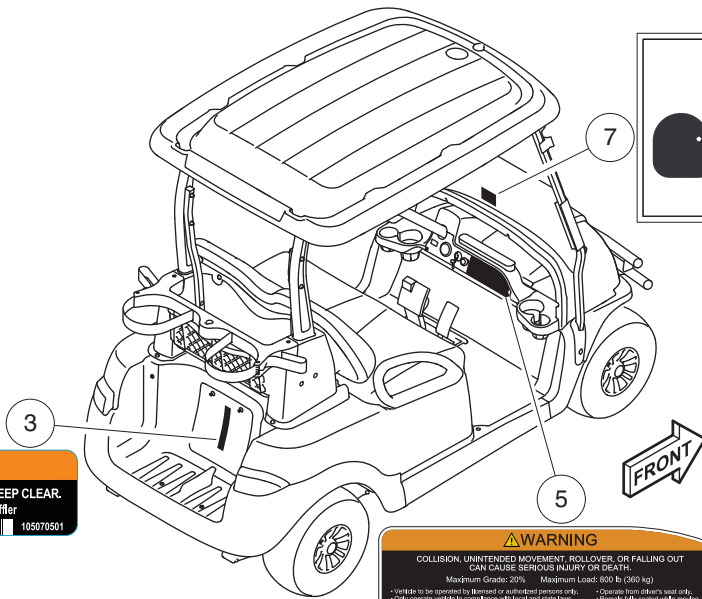


OFF ON

**WARNING** ACCIDENTAL VEHICLE MOVEMENT HAZARD. MAY CAUSE SERIOUS INJURY OR DEATH. Before leaving the vehicle: Engage the park brake. Set the Hill Vehicle to NEUTRAL. Turn the key to OFF and remove the key.

**WARNING**  
EXCESSIVE SPEED CAN CAUSE INJURY OR DEATH  
Maximum Vehicle Speed: 20 mph  
47592393001

**IMPORTANT NOTICE**  
This vehicle does not conform to ANSI Z130.1 - "Standard for Golf Cars - Safety and Performance Requirements" because it is capable of speeds in excess of 15 miles per hour. Exercise caution.  
CCI 102555901



**WARNING**  
Windshield does not provide protection from golf balls or other flying objects.  
47592393001

**WARNING**  
CAN CAUSE SERIOUS INJURY. KEEP CLEAR.  
• Rotating parts • HOT muffler  
105070501

**WARNING**  
COLLISION, UNINTENDED MOVEMENT, ROLLOVER, OR FALLING OUT CAN CAUSE SERIOUS INJURY OR DEATH.  
Maximum Grade: 20% Maximum Load: 600 lbs (300 kg)  
- Vehicle to be operated by licensed or authorized personnel only. - Operator from driver's seat only.  
- Only operate vehicle in compliance with local and state laws. - Remain fully seated until the motor stops.  
- Use Caution! Do not operate vehicle in the presence of lighter flammable liquids, in congested areas, or on unpaved surfaces. - Do not have children or pets riding in the vehicle.  
- Do not operate the vehicle in the presence of children. - Hold on and keep your feet firmly on the vehicle with the motor. - Never operate vehicle under the influence of alcohol or drugs or when distracted.  
- Two (2) persons per bench seat maximum.  
47592393001

001347-001

## DECALS – ELECTRIC AND GASOLINE VEHICLES

| ITEM | PART NO.    | DESCRIPTION                                  | QTY |
|------|-------------|--|-----|
|      |             | <b>1 2 3 4</b>                               |     |
| 1    | 101825101   | Decal, Off/On .....                          | 1   |
| 2    | 102555901   | Decal, Private Speed .....                   | 1   |
| 3    | 105070501   | Decal, Gas, Rotating Parts/Hot Muffler ..... | 1   |
| 4    | 47561033001 | Decal, Warning, Speed .....                  | 1   |
| 5    | 47574958001 | Decal, Warning .....                         | 1   |
| 6    | 47586040001 | Decal, Warn .....                            | 1   |
| 7    | 47592393001 | Decal, Warn, Windshield .....                | 1   |

**3**  
**G**  
**E**

**WARNING**

**BATTERY EXPLOSION COULD RESULT IN SEVERE PERSONAL INJURY**

- Place Run/Tow switch in TOW position before performing any of the following:
  - Disconnecting or connecting battery cables
  - Towing this vehicle
  - Extended storage
  - Servicing the vehicle
- Do not store items in battery compartment.
- Keep electronic components dry.
- Do not operate vehicle without this plate properly installed.
- See vehicle service manual before servicing.

**RUN**

**TOW**

CCI 103384801

**WARNING**

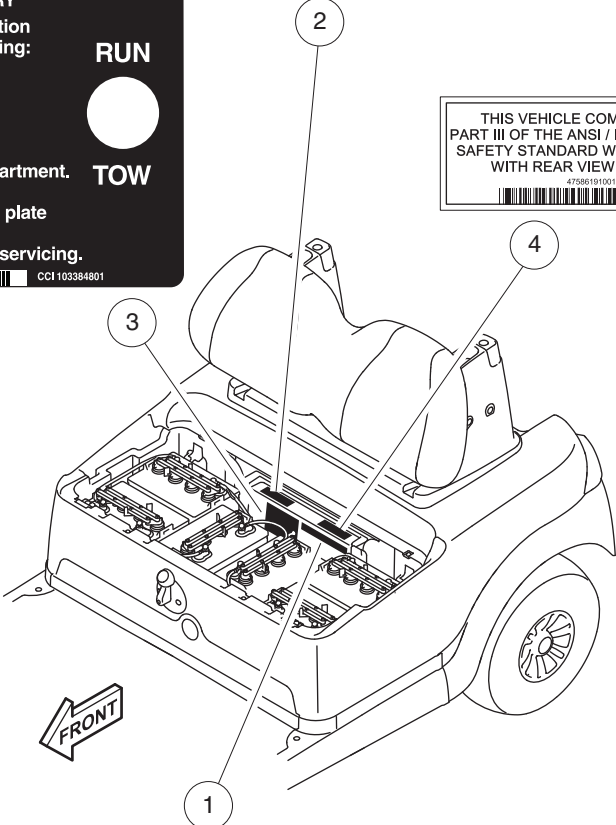
**SHORTING OF BATTERY TERMINALS CAN CAUSE PERSONAL INJURY OR DEATH.**

- When removing component mounting plate, do not place plate directly on top of batteries.

103384701

THIS VEHICLE COMPLIES WITH PART III OF THE ANSI / ILTVA Z135 - PTV SAFETY STANDARD WHEN EQUIPPED WITH REAR VIEW MIRRORS.

42585191001



**CAUTION EXPOSURE TO WATER MAY DAMAGE ELECTRONIC COMPONENTS**

- Do not direct water stream in the area of this plate.
- See vehicle service manual before servicing.

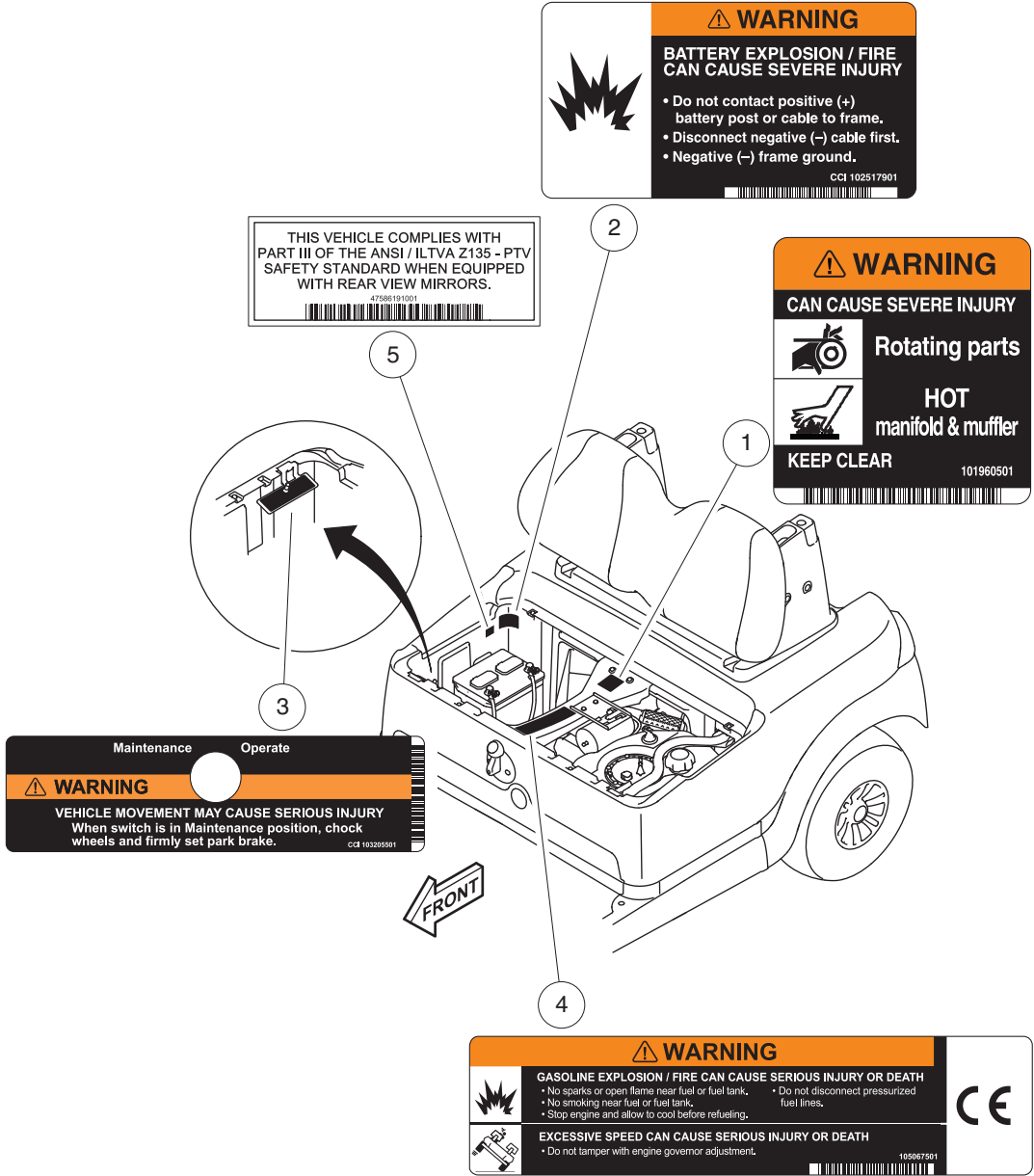
CCI 103384601

001356-001

## DECALS – ELECTRIC VEHICLE ONLY

| ITEM | PART NO.    | DESCRIPTION                      | QTY |
|------|-------------|----------------------------------|-----|
|      |             | <b>1 2 3 4</b>                   |     |
| 1    | 103384601   | Decal-water Exposure .....       | 1   |
| 2    | 103384701   | Decal-warning, Short .....       | 1   |
| 3    | 103384801   | Decal, Warning, RUN/TOW .....    | 1   |
| 4    | 47586191001 | Decal, Compliance, Mirrors ..... | 1   |

**3**  
**G**  
**E**



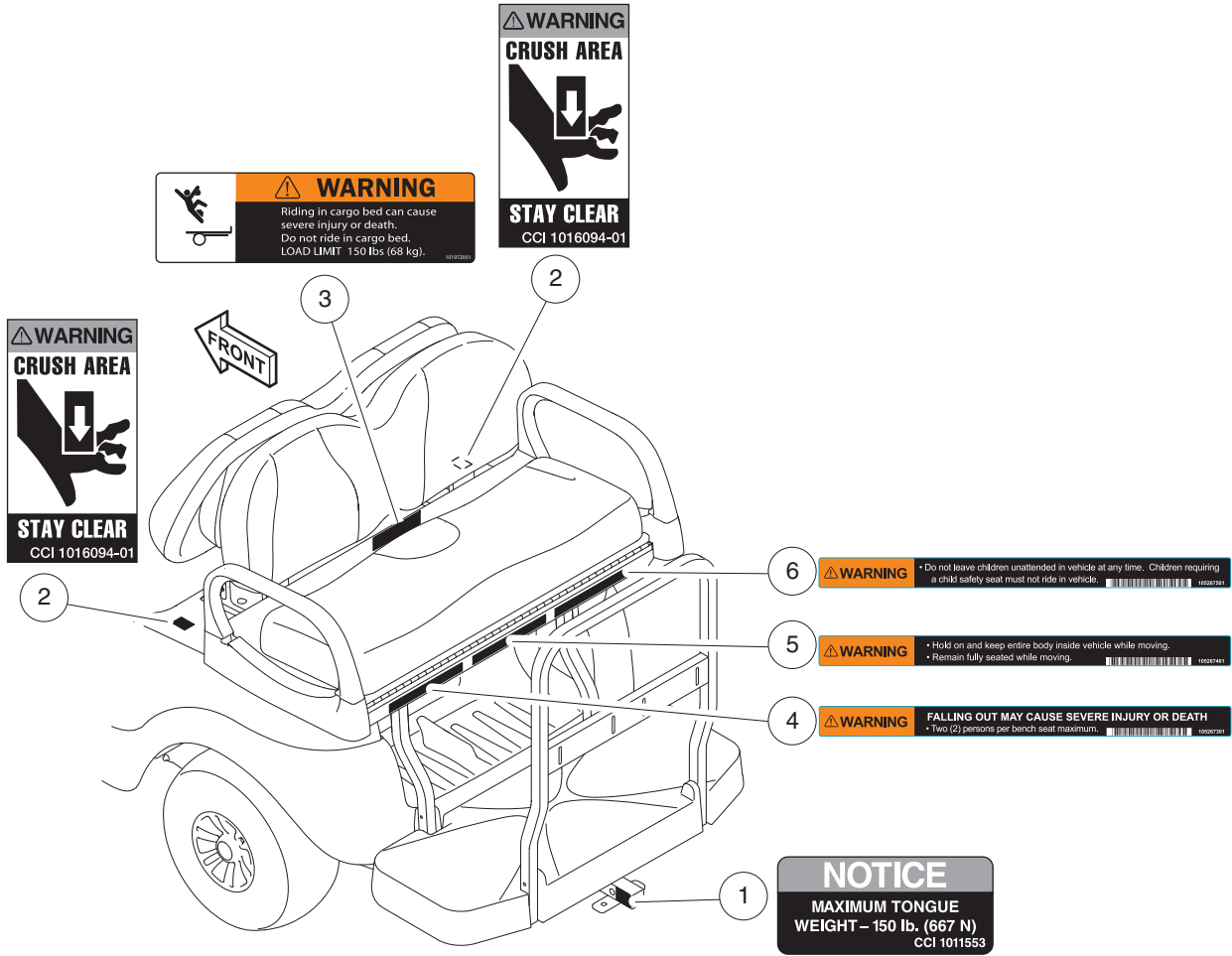
001385-001

## DECALS – GASOLINE VEHICLE ONLY

| ITEM | PART NO.    | DESCRIPTION                              | QTY |
|------|-------------|--|-----|
|      |             | <b>1 2 3 4</b>                           |     |
| 1    | 101960501   | Decal, Rotating Parts/Hot Manifold ..... | 2   |
| 2    | 102517901   | Decal, Warning - Frame Ground .....      | 1   |
| 3    | 103205501   | Decal, Maintenance/Operate Switch .....  | 1   |
| 4    | 105067501   | Decal, Warn - Gas/gov .....              | 1   |
| 5    | 47586191001 | Decal, Compliance, Mirrors .....         | 1   |

**3**  
**G**  
**E**

**3**  
**G**  
**E**



001386-001



## DECALS – 4-PASSENGER VEHICLE ONLY

| ITEM | PART NO.  | DESCRIPTION  | QTY |
|------|-----------|--|-----|
|      |           | 1 2 3 4  |     |
| 1    | 1011553   | Decal, Trailer Hitch .....   | 1   |
| 2    | 101609401 | Decal, Crush Area Warning .....                                      | 2   |
| 3    | 101972001 | Decal, D.s. Box Bed Warning (for vehicles with bed box option) ..... | 1   |
| 4    | 105267301 | Decal, Warn, Fld L .....   | 1   |
| 5    | 105267401 | Decal, Warn, Fld M .....   | 1   |
| 6    | 105267501 | Decal, Warn, Fld R .....   | 1   |

3  
G  
E

3

G

E

Club Car

1

ONWARD

2

001435-001

# DECALS – BADGING

| ITEM | PART NO.    | DESCRIPTION                             | QTY |
|------|-------------|---|-----|
| 1    | 102883602   | 1 2 3 4<br>Decal, Nameplate, Csmr ..... | 1   |
| 2    | 47594888001 | Decal, Branding, Onward .....           | 2   |

**3**

**G**

**E**

**3**

**G**

**E**

# LIGHTS, CONTROLS AND INDICATORS

---

4

G

E

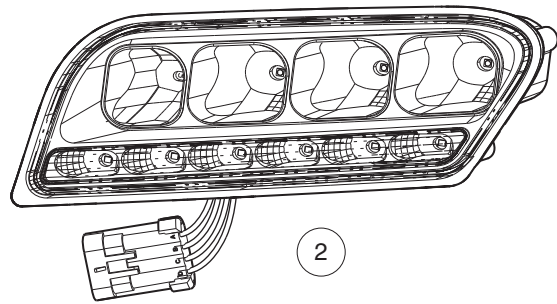
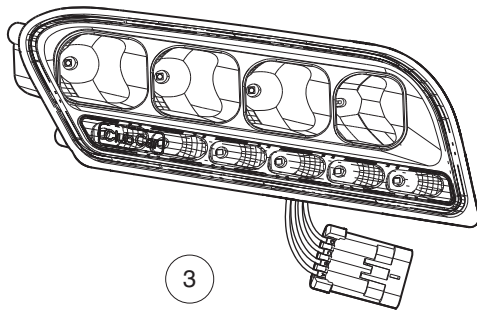
4

G

E



1



001341-001

# HEADLIGHTS – ONWARD

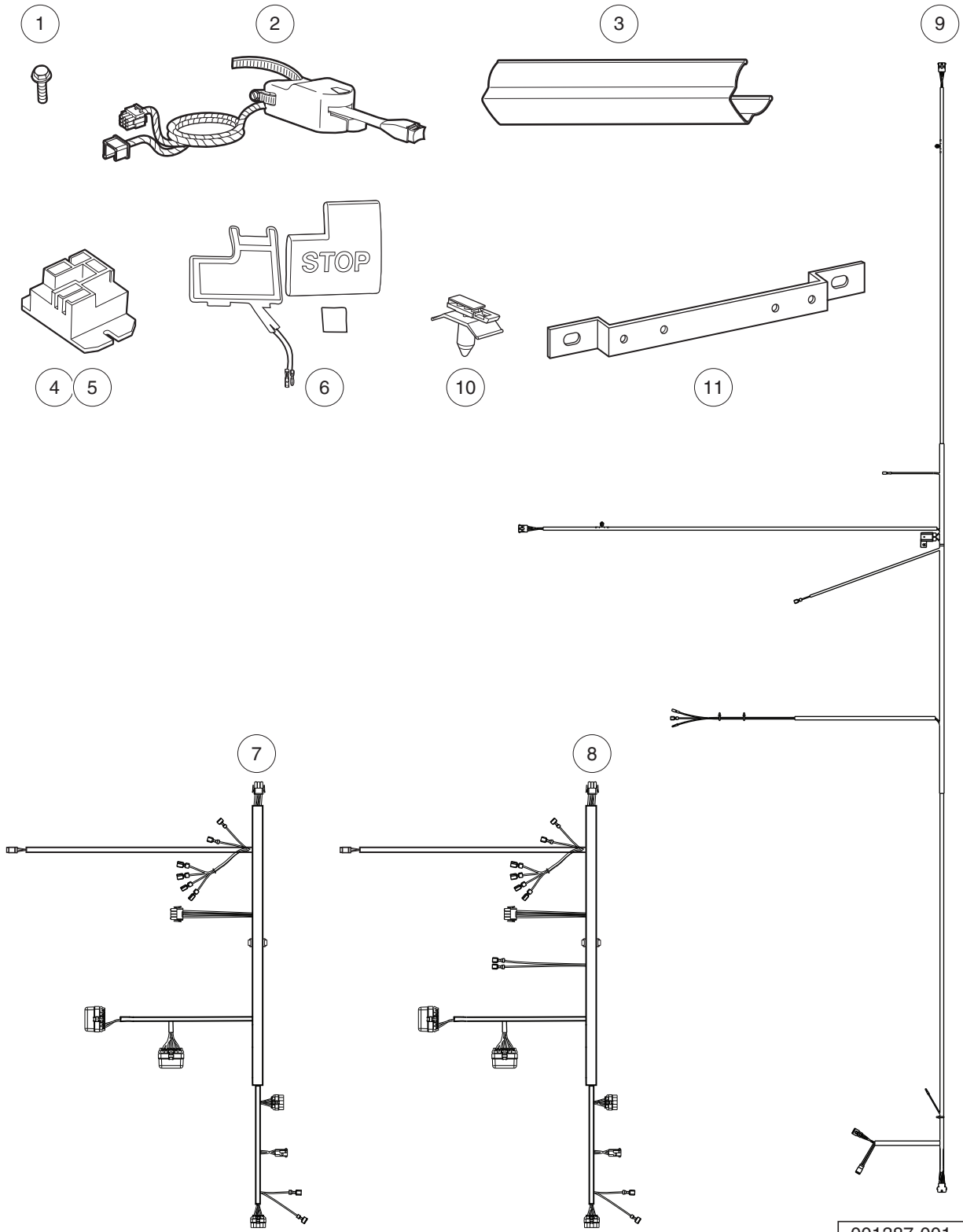
| ITEM | PART NO.    | DESCRIPTION   | QTY |
|------|-------------|---|-----|
|      |             | <b>1 2 3 4</b>  |     |
| 1    | 102296020   | Screw-torx Pan Head Pt, M6x20 .....                       | 8   |
| 2    | 47565234003 | Headlight, LED, Driver-side, Service Replacement .....    | 1   |
| 3    | 47565234004 | Headlight, LED, Passenger-side, Service Replacement ..... | 1   |

**4**

**G**

**E**

**4**  
**G**  
**E**





# LIGHTING SYSTEM COMPONENTS

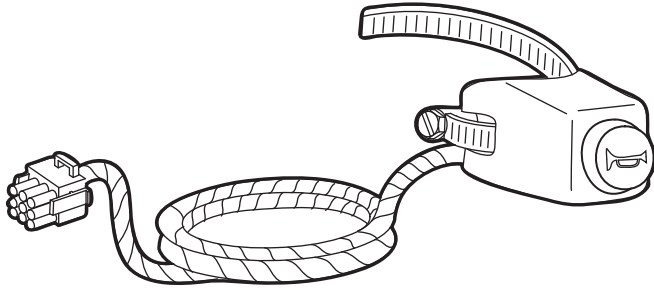
| ITEM | PART NO.    | DESCRIPTION   | QTY |
|------|-------------|---|-----|
|      |             | 1 2 3 4   |     |
| 1    | 102298720   | Screw, M8-1.25x20, Taptite .....                      | 3   |
| 2    | 102517501   | Turn Signal Asm .....                                 | 1   |
| 3    | 102529201   | Wire Cover, Steering Column .....                     | 1   |
| 4    | 103414901   | Kit, Relay, 48v 30a W/instr (includes item 5) .....   | 1   |
| 5    | 103397901   | Relay, Spst No, 48v 30a, Pmt .....                    | 1   |
| 6    | 103597101   | Kit, Brake Light Switch .....                         | 1   |
| 7    | 47562746001 | Harness, Wire, Instrument Panel for Lights, Ele ..... | 1   |
| 8    | 47562747001 | Harness, Wire, Instrument Panel for Lights, Gas ..... | 1   |
| 9    | 47574837001 | Harness, Lighting .....                               | 1   |
| 10   | N/A         | Clip, Mount, Conn .....                               | 2   |
| 11   | 47580172001 | Bracket, Mount, Fuse .....                            | 1   |

4  
G  
E

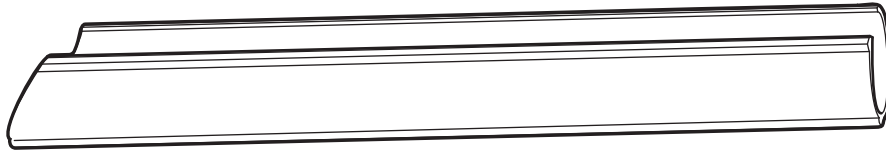
4

G

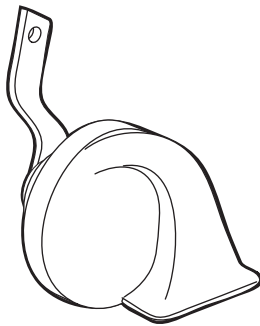
E



1



2



3

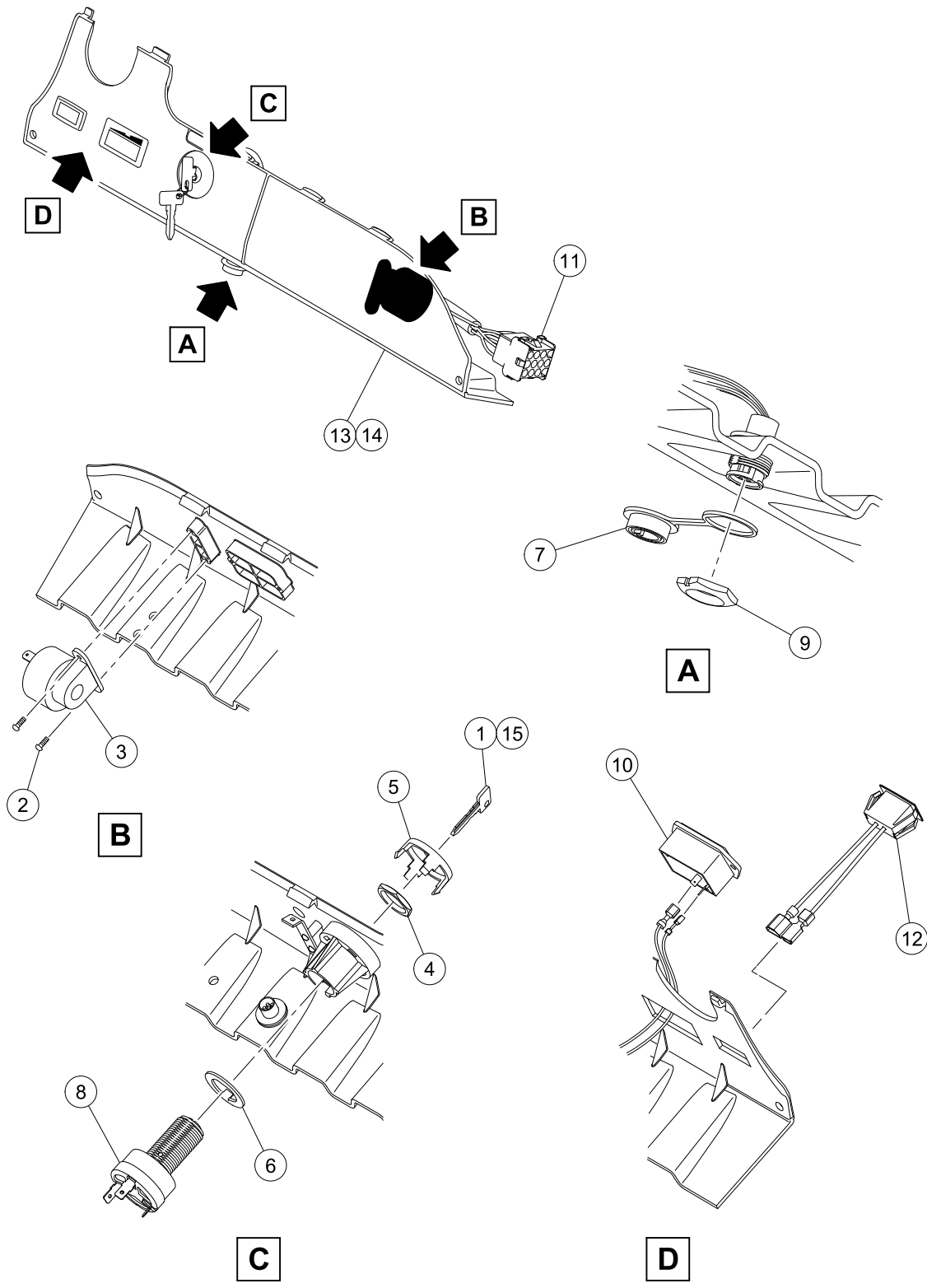
001343-001

# HORN

| ITEM | PART NO.  | DESCRIPTION                                  | QTY |
|------|-----------|--|-----|
| 1    | 102517601 | 1 2 3 4<br>Subasm, Horn Button Harness ..... | 1   |
| 2    | 102529201 | Wire Cover, Steering Column .....            | 1   |
| 3    | 102535401 | Horn .....                                   | 1   |

**4**  
**G**  
**E**

**4**  
**G**  
**E**



G-130599-000005

# INSTRUMENT PANEL – ELECTRIC VEHICLE WITH ERIC CHARGER

| ITEM | PART NO.    | DESCRIPTION   | QTY |
|------|-------------|---|-----|
|      |             | 1 2 3 4   |     |
| 1    | 1012505     | Keys (set of 2) .....   | 1   |
| 2    | 1016849     | Screw, #4-24 X 0.33, Pan-Head, Machine .....                              | 2   |
| 3    | 1016851     | Multi-Purpose Buzzer (9-48 VDC) .....                                     | 1   |
| 4    | 101830701   | Nut, Key Switch .....   | 1   |
| 5    | 101834502   | Cap, Black Key Switch .....   | 1   |
| 6    | 101851101   | Washer, Key Switch .....  | 1   |
| 7    | 102196901   | Dust Cap .....  | 1   |
| 8    | 102508601   | Key Switch, Electric .....  | 1   |
| 9    | 102572401   | Nut, Diagnostic Port .....  | 1   |
| 10   | 103200701   | Battery Condition Indicator - 48V .....                                   | 1   |
| 11   | 103991501   | Harness, Wire, Instrument Panel, w/Hi-Freq .....                          | 1   |
| 12   | 105152301   | Indicator, Charger, Dash, Cap .....                                       | 1   |
| 13   | 47613414003 | Instrument Panel (Punched Headlight) .....                                | 1   |
| 14   | 47613414009 | Instrument Panel (Headlight Switch and Battery Condition Indicator) ..... | 1   |
| 15   | AM10079     | Bulk Std Keys (50) * .....  | 1   |
|      |             | * Note: Must order in multiples of 50.                                    |     |

4  
G  
E

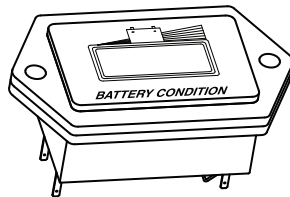
4

G

E



1



2

001388-001

# BATTERY CHARGE INDICATOR

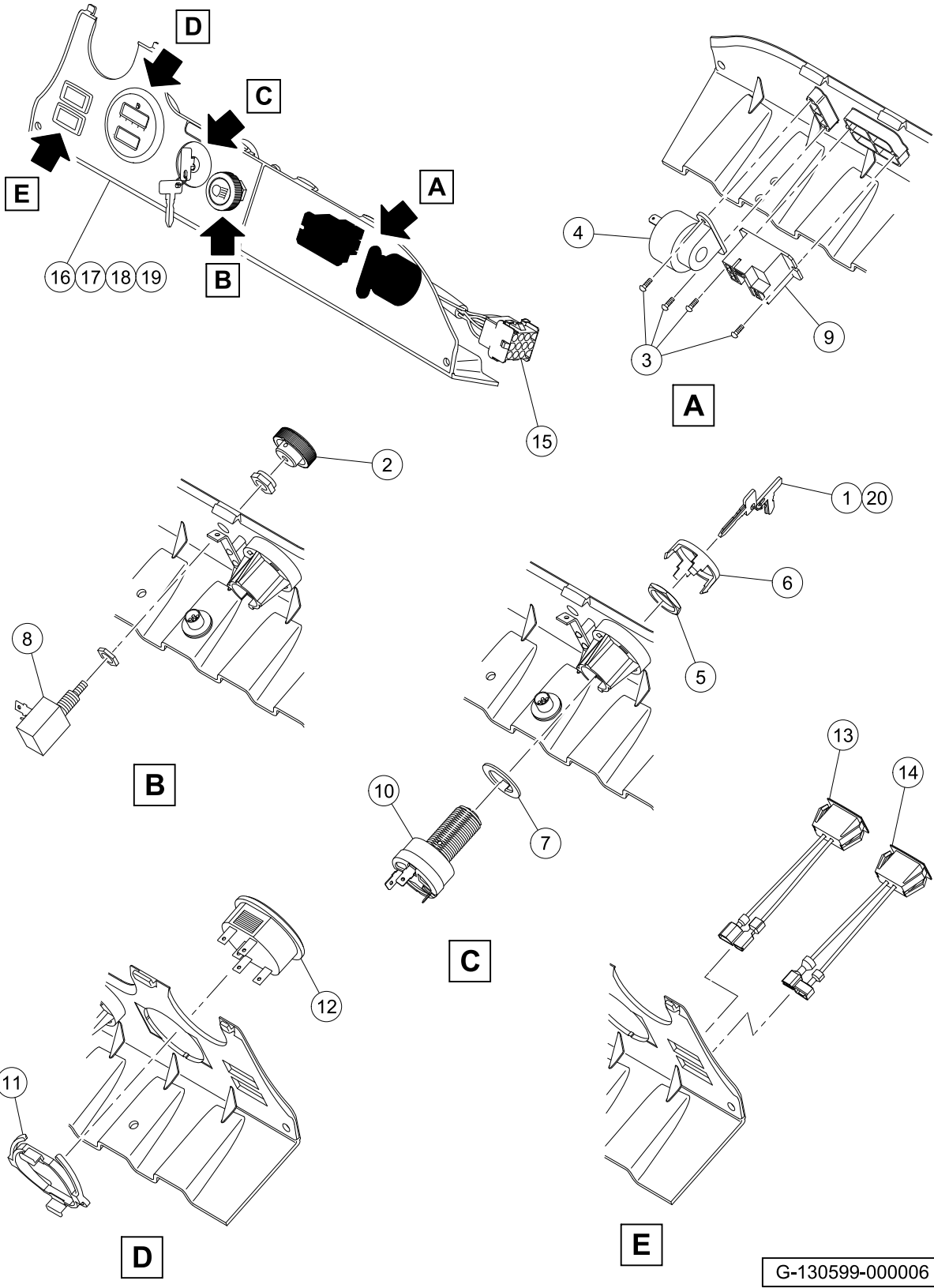
| ITEM | PART NO.  | DESCRIPTION                             | QTY |
|------|-----------|---|-----|
| 1    | 101814701 | Retainer, Push-On .....                 | 2   |
| 2    | 103200701 | Battery Condition Indicator - 48V ..... | 1   |

4

G

E

**4**  
**G**  
**E**



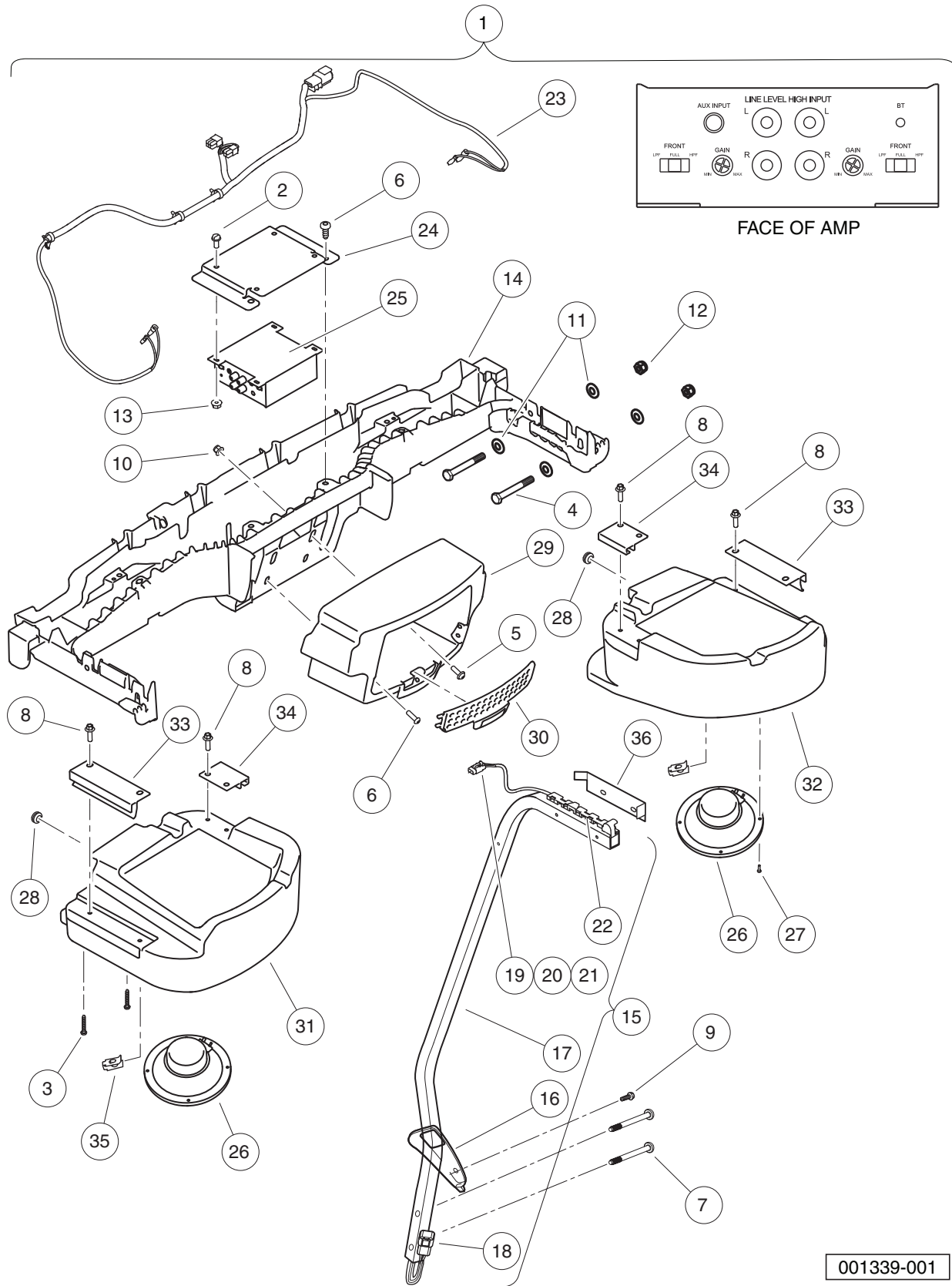
G-130599-000006



# INSTRUMENT PANEL – ECH440 GAS VEHICLE

| ITEM | PART NO.    | DESCRIPTION                                  | QTY |
|------|-------------|--|-----|
|      |             | <b>1 2 3 4</b>                               |     |
| 1    | 1012505     | Keys (set of 2) .....                        | 1   |
| 2    | 1013857     | Knob, Light Switch .....                     | 1   |
| 3    | 1016849     | Screw, #4-24 X 0.33, Pan-Head, Machine ..... | 4   |
| 4    | 1016851     | Multi-Purpose Buzzer (9-48 VDC) .....        | 1   |
| 5    | 101830701   | Nut, Key Switch .....                        | 1   |
| 6    | 101834502   | Cap, Black Key Switch .....                  | 1   |
| 7    | 101851101   | Washer, Key Switch .....                     | 1   |
| 8    | 102051901   | Switch, Light .....                          | 1   |
| 9    | 102199001   | Relay, 12-Volt .....                         | 1   |
| 10   | 102515101   | Key Switch, Gas .....                        | 1   |
| 11   | 103348201   | Clip, Meter, Round .....                     | 1   |
| 12   | 103348602   | Gauge, Fuel-hour,sep Gnd, Ds .....           | 1   |
| 13   | 105037101   | Light, Oil (LED) .....                       | 1   |
| 14   | 47598441001 | Light, Dash, Led, Mil .....                  | 1   |
| 15   | 47612537001 | Harness, Ip, Gas, Prec, Com .....            | 1   |
| 16   | 47613414002 | Panel, Punched, Mil Light .....              | 1   |
| 17   | 47613414005 | Panel, Punched, Mil Hdlt .....               | 1   |
| 18   | 47613414006 | Panel, Punched, Mil Fuel .....               | 1   |
| 19   | 47613414007 | Panel, Punched, Mil Hdlt Fuel .....          | 1   |
| 20   | AM10079     | Bulk Std Keys (50) * .....                   | 1   |
|      |             | * Note: Must order in multiples of 50.       |     |

4  
G  
E



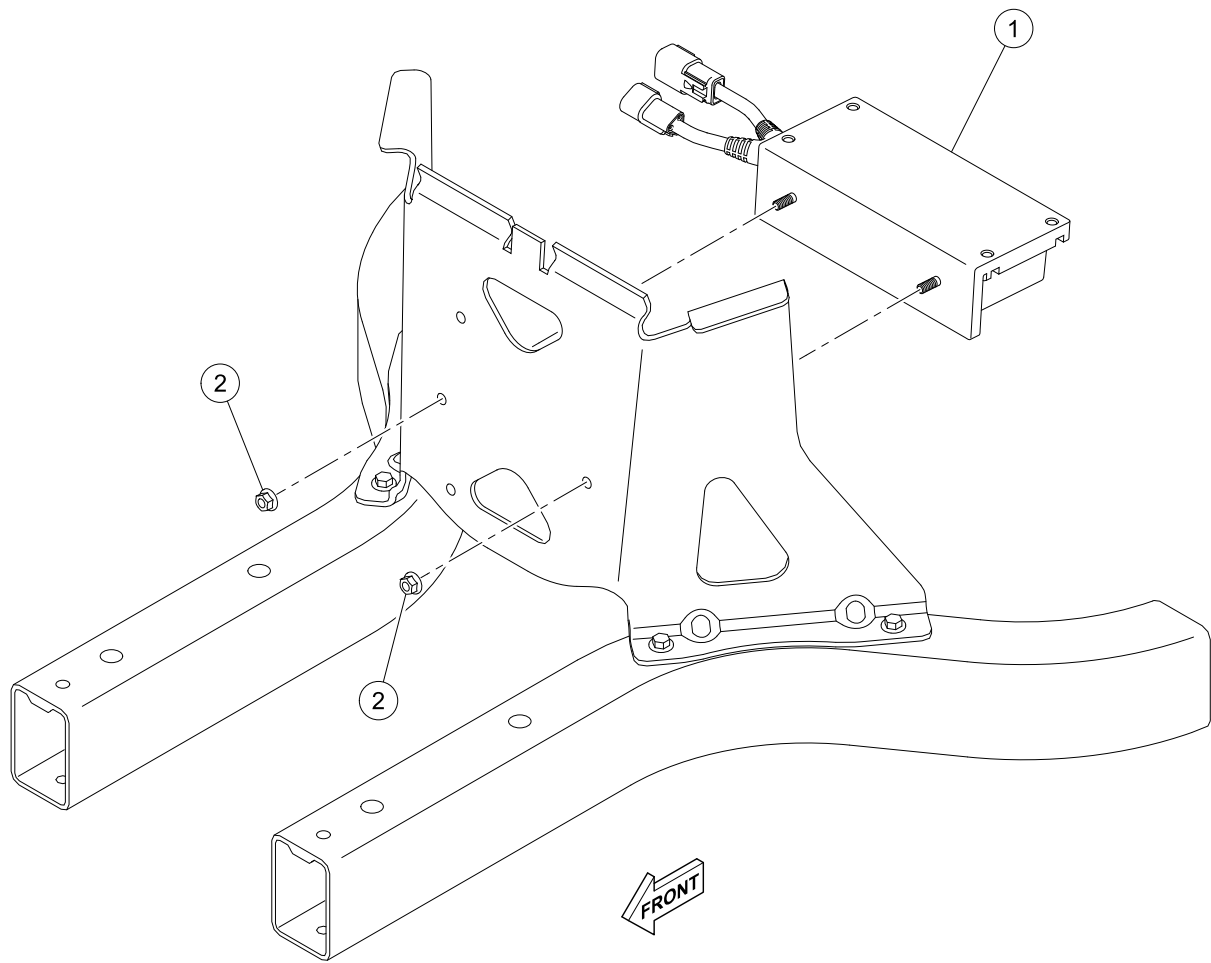
001339-001

# BLUETOOTH SOUND SYSTEM

| ITEM | PART NO.    | DESCRIPTION   | QTY |
|------|-------------|---|-----|
|      |             | <b>1 2 3 4</b>  |     |
| 1    | 47581430001 | Kit, Bt Sound System (includes items 2 through 36) .....      | 1   |
| 2    | 1011017     | Screw, #8-32 X 0.375 .....                                    | 4   |
| 3    | 102296040   | Screw, Torx Pan Hd Pt, M6 X 40 .....                          | 4   |
| 4    | 102296150   | Bolt - M6x1.0x50 Hex Flng Hd .....                            | 4   |
| 5    | 102296920   | Screw, M6, Torx Button Head, Sems .....                       | 2   |
| 6    | 102298020   | Screw, K80x20, Torx Pn Hd Pt .....                            | 4   |
| 7    | 102299065   | M8-1.25 X 65 Tx Bttm Hd Bolt .....                            | 2   |
| 8    | 102541401   | Bolt-m6x1.0x20 Hex Flhd Blk-l .....                           | 8   |
| 9    | 102544201   | Screw, M6 Hex .....   | 1   |
| 10   | 102621501   | Nut, Flange, M6 X 1.0, Nylon .....                            | 2   |
| 11   | 103196001   | Washer, Conical Spring, Canopy .....                          | 8   |
| 12   | 103200301   | Nut, M6 x 1.00 .....  | 4   |
| 13   | 105190701   | Nut, Flanged, #8-32, Serrated .....                           | 4   |
| 14   | 47559265002 | Support, Display Unit, Bt .....                               | 1   |
| 15   | 47561477001 | Asm, Strut, Visage, R.h. (includes items 16 through 22) ..... | 1   |
| 16   | 102400102   | Cover, Canopy Support, Passenger-side, Black .....            | 1   |
| 17   | 103750001   | Strut, Canopy Front, Passenger-side .....                     | 1   |
| 18   | N/A         | Brkt, Tree-stud Mount, Dt/dtm .....                           | 1   |
| 19   | N/A         | Conn, Plug, Dtm, 3 Pin, Blk .....                             | 1   |
| 20   | N/A         | Lock, Wedge, Dtm, Plug .....                                  | 1   |
| 21   | 47554736001 | Harness, Visage, Strut, G/e .....                             | 1   |
| 22   | 47559268001 | Retainer, Wire Harness .....                                  | 1   |
| 23   | 47562748001 | Harness, Sound Mil200bt, Csmr .....                           | 1   |
| 24   | 47581126001 | Bracket, Amp, Mil200bt .....                                  | 1   |
| 25   | 47581127001 | Amp, Bluetooth, Mil200bt .....                                | 1   |
| 26   | 47581128001 | Speaker, 5.25", Blk .....                                     | 1   |
| 27   | 47581129001 | Screw, 6-32 X 5/8 Torx Ph Blk .....                           | 8   |
| 28   | 47581130001 | Grommet, Sbr, .38 Id .....                                    | 2   |
| 29   | 47581131001 | Storage Unit, Center, Csmr .....                              | 1   |
| 30   | 47581132001 | Closeout, Plastic, Perforated .....                           | 1   |
| 31   | 47581133001 | Enclosure, Speaker, Ds, 2p .....                              | 1   |
| 32   | 47581133002 | Enclosure, Speaker, Ps, 2p .....                              | 1   |
| 33   | 47581134001 | Extrusion, Alum, Spkr Outer .....                             | 2   |
| 34   | 47581135001 | Extrusion, Alum, Spkr Inner .....                             | 2   |
| 35   | 47584406001 | U-nut, 6-32 .....   | 8   |
| 36   | 47589609001 | Cover, Strut, Bt Sound .....                                  | 1   |

**4**  
**G**  
**E**

**4**  
**G**  
**E**



G-130299-000001

# DC CONVERTER – ELECTRIC VEHICLE

| ITEM | PART NO.    | DESCRIPTION                          | QTY |
|------|-------------|--------------------------------------|-----|
| 1    | 47594727001 | 1 2 3 4<br>Converter, Dc/dc .....    | 1   |
| 2    | 96704176    | Nut, Flanged, M6 X 1, Serrated ..... | 2   |

4

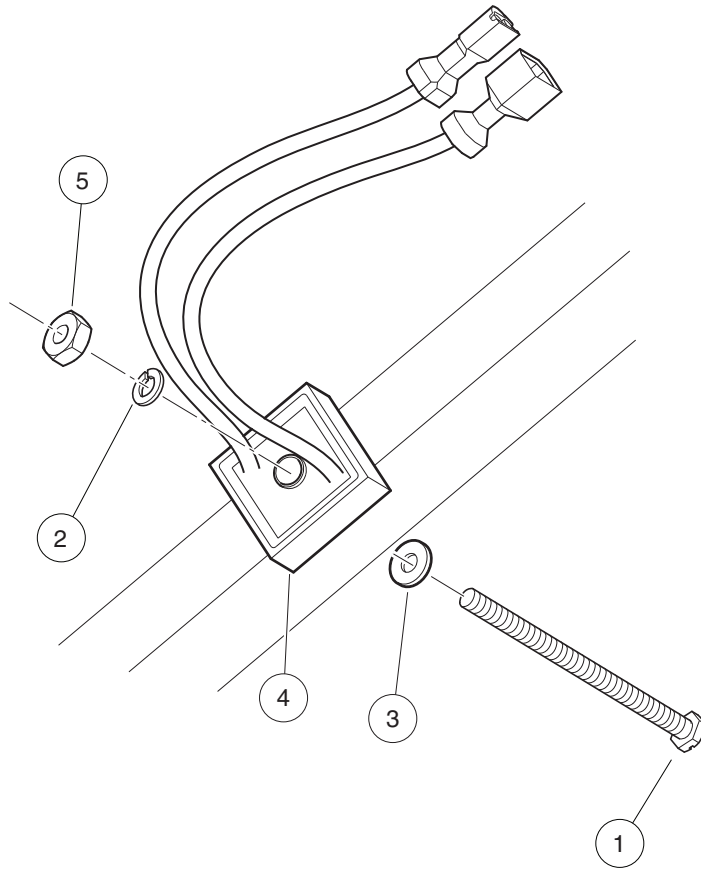
G

E

4

G

E



001365-002

# VOLTAGE LIMITER – GASOLINE VEHICLE

| ITEM | PART NO.    | DESCRIPTION                          | QTY |
|------|-------------|--------------------------------------|-----|
|      |             | 1 2 3 4                              |     |
| 1    | 1010909     | Screw, #10-32 X 1.25 Rd Hd Mch ..... | 1   |
| 2    | 1016        | Lockwasher, #10 Split .....          | 1   |
| 3    | 183         | Washer, #10, Type A, Flat .....      | 1   |
| 4    | 47604303001 | Voltage Limiter, Gas .....           | 1   |
| 5    | 7893        | Nut, #10-32 Hex .....                | 1   |

4

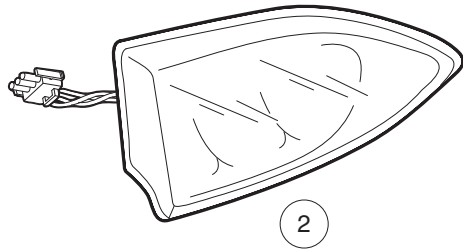
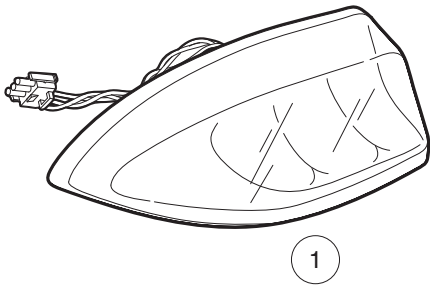
G

E

4

G

E



001340-001



# TAILLIGHTS

| ITEM | PART NO.    | DESCRIPTION                              | QTY |
|------|-------------|--|-----|
| 1    | 47643352001 | 1 2 3 4<br>Assembly, Taillight, LH ..... | 1   |
| 2    | 47643352002 | Assembly, Taillight, RH .....            | 1   |

**4**  
**G**  
**E**

**4**

**G**

**E**

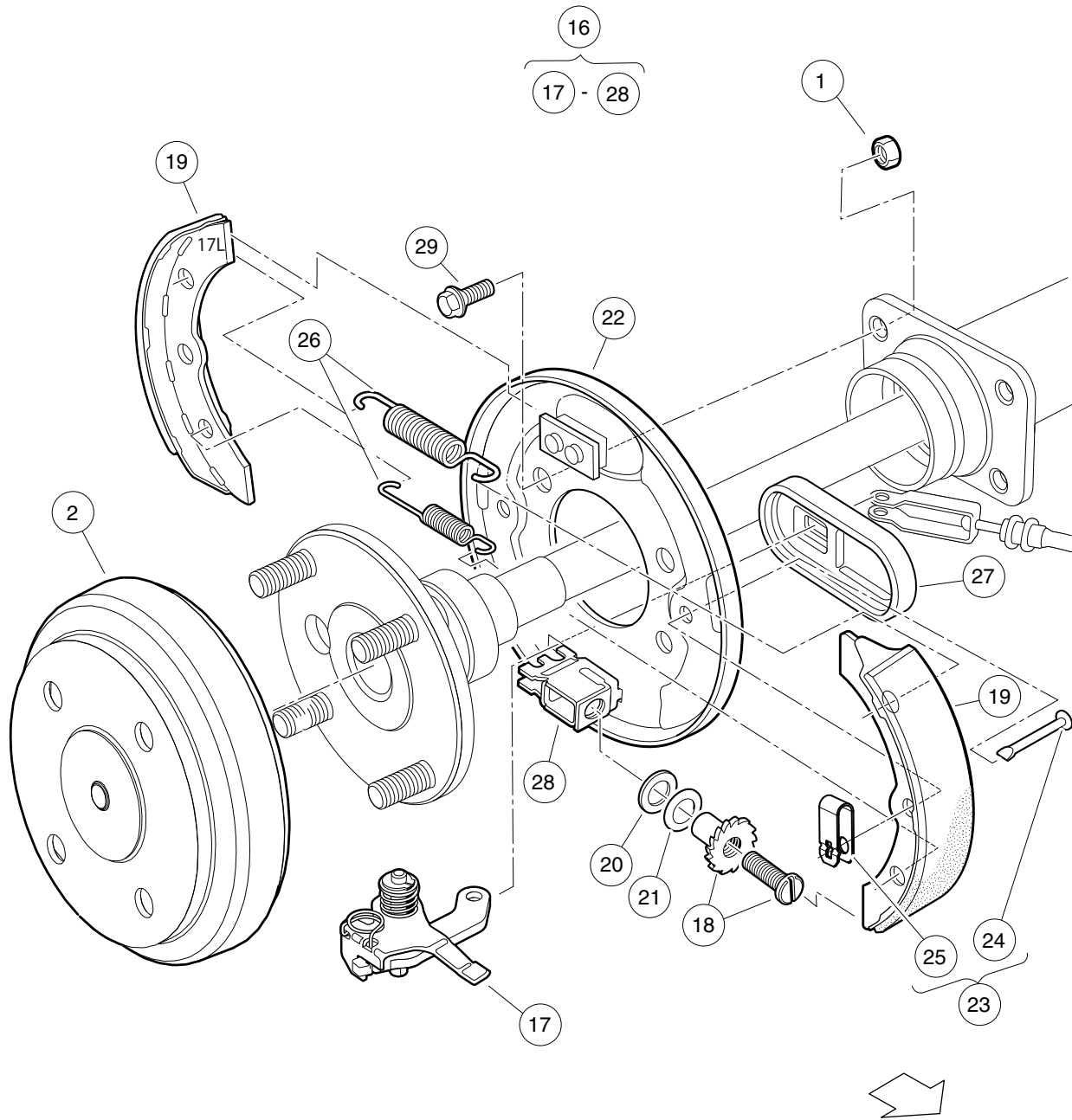
# **BRAKES AND PEDAL GROUP ASSEMBLIES**

---

**5**

**G**

**E**

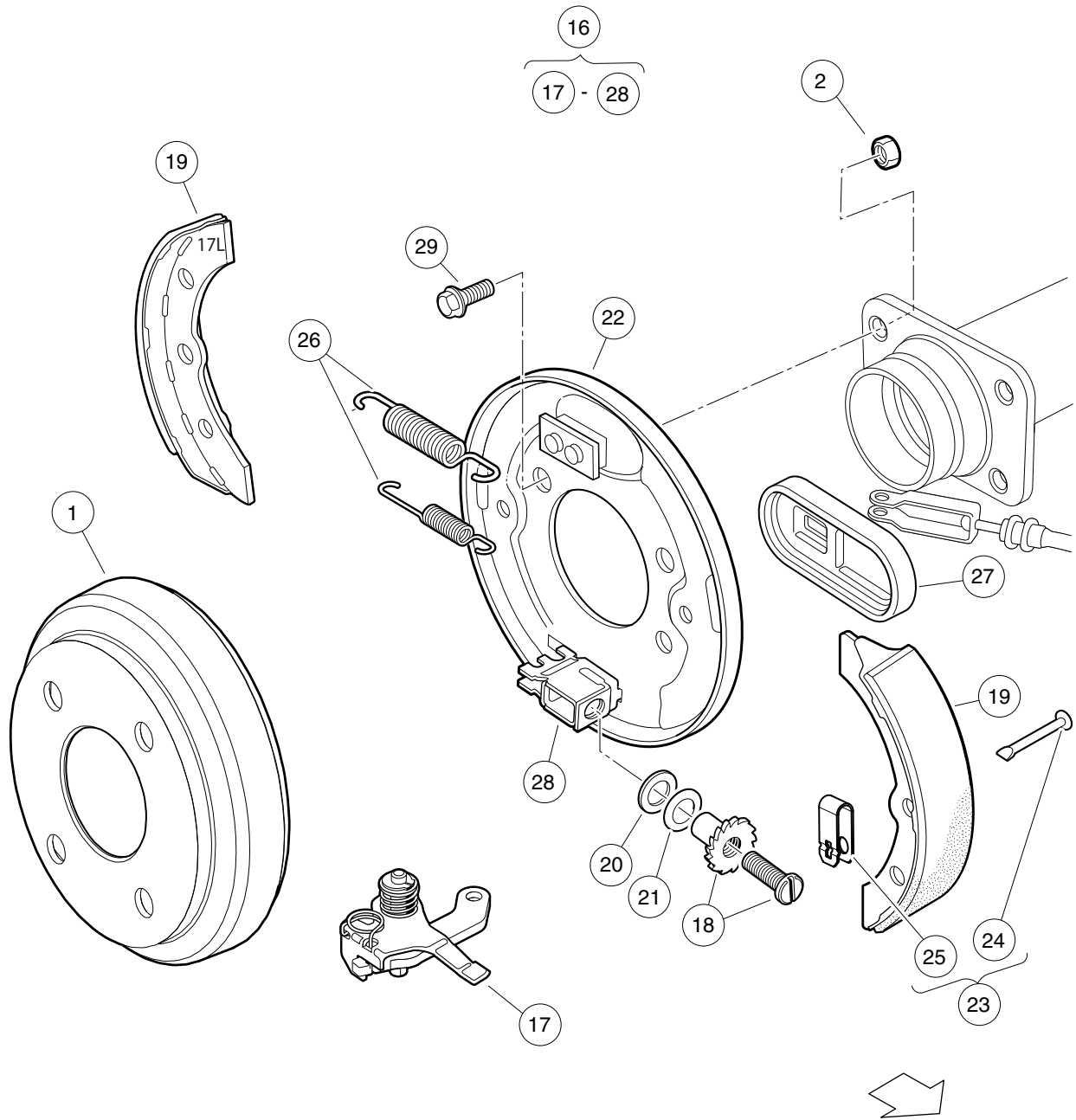


000186-006

## REAR BRAKES, SELF-ADJUSTING

| ITEM | PART NO.    | DESCRIPTION   | QTY |          |
|------|-------------|---|-----|----------|
|      |             | 1 2 3 4   |     | <b>5</b> |
| 1    | 1013924     | Nut, 5/16-24, Hex Head Cone .....   | 8   | <b>G</b> |
| 2    | 101791101   | Drum without Center Hole, Brake .....   | 2   | <b>E</b> |
| 3    | 103380201   | Asm, Brake Cluster, Mech, Drvr (includes items 4 through 15) .....  | 1   |          |
| 4    | 101815502   | Lever Assembly, Self-Adjusting Brake, Left .....  | 1   |          |
| 5    | 101816502   | Adjusting Mechanism, Self-Adjusting Brake, Left .....   | 1   |          |
| 6    | 101823201   | Package, Brake Shoe, Self-Adjusting .....   | 1   |          |
| 7    | 101823801   | Plate, Washer, Brake, Self-Adjusting .....  | 1   |          |
| 8    | 101823901   | Washer, Brake, Self-Adjusting .....   | 1   |          |
| 9    | 103483102   | Backing Plate, Driver-side .....  | 1   |          |
| 10   | 103483201   | Kit, Shoe Retainer (includes items 11 and 12) .....   | 1   |          |
| 11   | N/A         | Pin .....   | 2   |          |
| 12   | N/A         | Spring, Shoe, Clamp .....   | 2   |          |
| 13   | 103483401   | Package Brake Spring Self Adj .....   | 1   |          |
| 14   | 103483601   | Cover, Dust .....   | 1   |          |
| 15   | 103483701   | Brake Block .....   | 1   |          |
| 16   | 103380202   | Asm, Brake Cluster, Mech, Pass (includes items 17 through 28) .....   | 1   |          |
| 17   | 101815501   | Lever Assembly, Self-Adjusting Brake, Right (Passenger) .....   | 1   |          |
| 18   | 101816501   | Adj Mechanism, S.A. Brakes, Right (Passenger) .....   | 1   |          |
| 19   | 101823201   | Package, Brake Shoe, Self-Adjusting .....   | 1   |          |
| 20   | 101823801   | Plate, Washer, Brake, Self-Adjusting .....  | 1   |          |
| 21   | 101823901   | Washer, Brake, Self-Adjusting .....   | 1   |          |
| 22   | 103483101   | Backing Plate, Passenger-side .....   | 1   |          |
| 23   | 103483201   | Kit, Shoe Retainer (includes items 24 and 25) .....   | 1   |          |
| 24   | N/A         | Pin .....   | 2   |          |
| 25   | N/A         | Spring, Shoe, Clamp .....   | 2   |          |
| 26   | 103483401   | Package Brake Spring Self Adj .....   | 1   |          |
| 27   | 103483601   | Cover, Dust .....   | 1   |          |
| 28   | 103483701   | Brake Block .....   | 1   |          |
| 29   | 47542195001 | Bolt, Brake Cluster Mnt .....   | 8   |          |
|      |             | Note: Driver-side brake cluster not shown. Components have a similar appearance to passenger-side brake cluster components. |     |          |

**5**  
**G**  
**E**



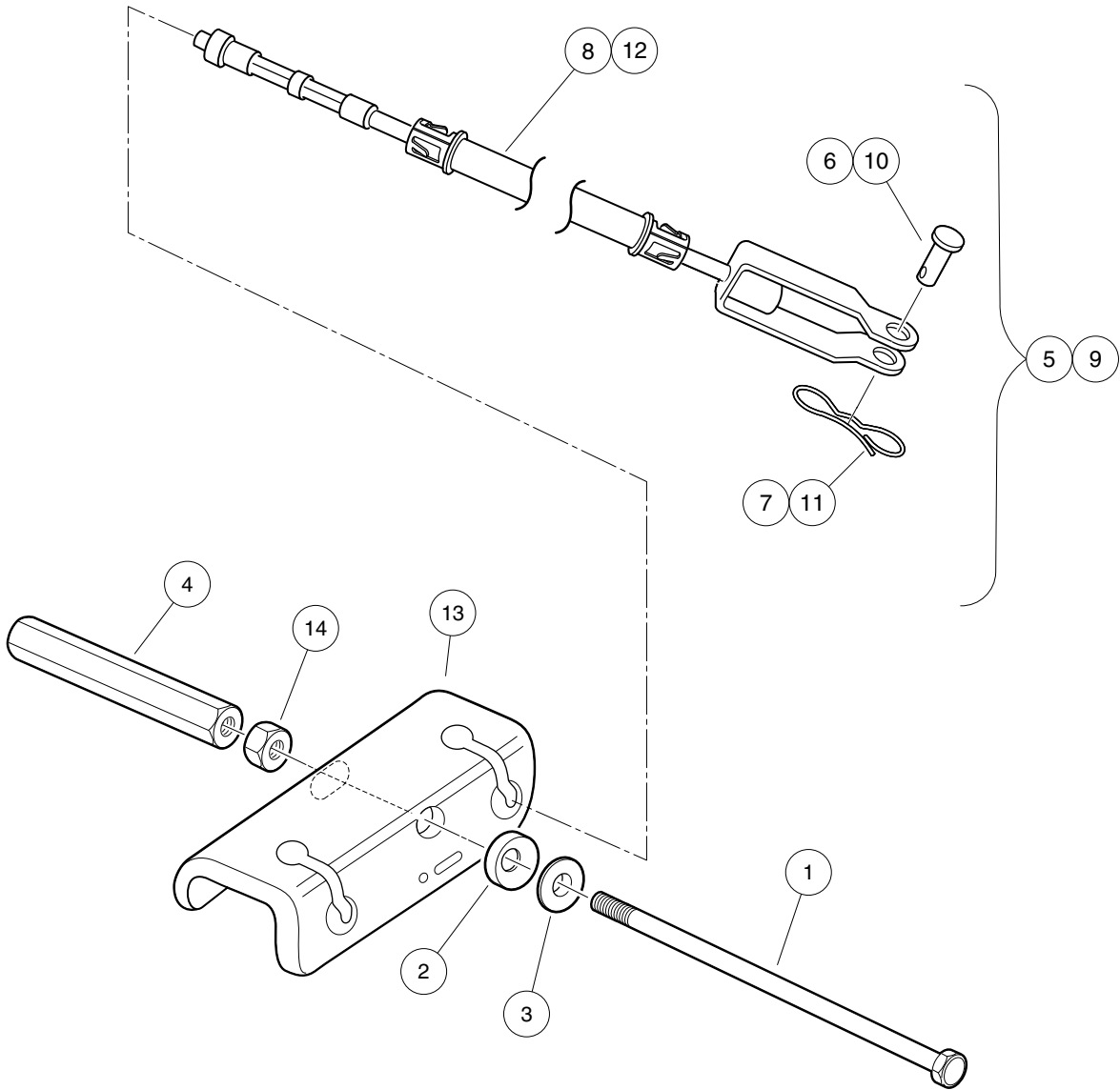
000186-007

## REAR BRAKES, SELF-ADJUSTING – GASOLINE VEHICLES

| ITEM | PART NO.    | DESCRIPTION   | QTY |
|------|-------------|---|-----|
|      |             | <b>1 2 3 4</b>  |     |
| 1    | 1011137     | Drum, Brake .....   | 2   |
| 2    | 1013924     | Nut, 5/16-24, Hex Head Cone .....   | 8   |
| 3    | 103380201   | Asm, Brake Cluster, Mech, Drvr (includes items 4 through 15) .....  | 1   |
| 4    | 101815502   | Lever Assembly, Self-Adjusting Brake, Left .....  | 1   |
| 5    | 101816502   | Adjusting Mechanism, Self-Adjusting Brake, Left .....   | 1   |
| 6    | 101823201   | Package, Brake Shoe, Self-Adjusting .....   | 1   |
| 7    | 101823801   | Plate, Washer, Brake, Self-Adjusting .....  | 1   |
| 8    | 101823901   | Washer, Brake, Self-Adjusting .....   | 1   |
| 9    | 103483102   | Backing Plate, Driver-side .....  | 1   |
| 10   | 103483201   | Kit, Shoe Retainer (includes items 11 and 12) .....   | 1   |
| 11   | N/A         | Pin .....   | 2   |
| 12   | N/A         | Spring, Shoe, Clamp .....   | 2   |
| 13   | 103483401   | Package Brake Spring Self Adj .....   | 1   |
| 14   | 103483601   | Cover, Dust .....   | 1   |
| 15   | 103483701   | Brake Block .....   | 1   |
| 16   | 103380202   | Asm, Brake Cluster, Mech, Pass (includes items 17 through 28) .....   | 1   |
| 17   | 101815501   | Lever Assembly, Self-Adjusting Brake, Right (Passenger) .....   | 1   |
| 18   | 101816501   | Adj Mechanism, S.A. Brakes, Right (Passenger) .....   | 1   |
| 19   | 101823201   | Package, Brake Shoe, Self-Adjusting .....   | 1   |
| 20   | 101823801   | Plate, Washer, Brake, Self-Adjusting .....  | 1   |
| 21   | 101823901   | Washer, Brake, Self-Adjusting .....   | 1   |
| 22   | 103483101   | Backing Plate, Passenger-side .....   | 1   |
| 23   | 103483201   | Kit, Shoe Retainer (includes items 24 and 25) .....   | 1   |
| 24   | N/A         | Pin .....   | 2   |
| 25   | N/A         | Spring, Shoe, Clamp .....   | 2   |
| 26   | 103483401   | Package Brake Spring Self Adj .....   | 1   |
| 27   | 103483601   | Cover, Dust .....   | 1   |
| 28   | 103483701   | Brake Block .....   | 1   |
| 29   | 47542195001 | Bolt, Brake Cluster Mnt .....   | 8   |
|      |             | Note: Driver-side brake cluster not shown. Components have a similar appearance to passenger-side brake cluster components. |     |

**5**  
**G**  
**E**

**5**  
**G**  
**E**



000467-006

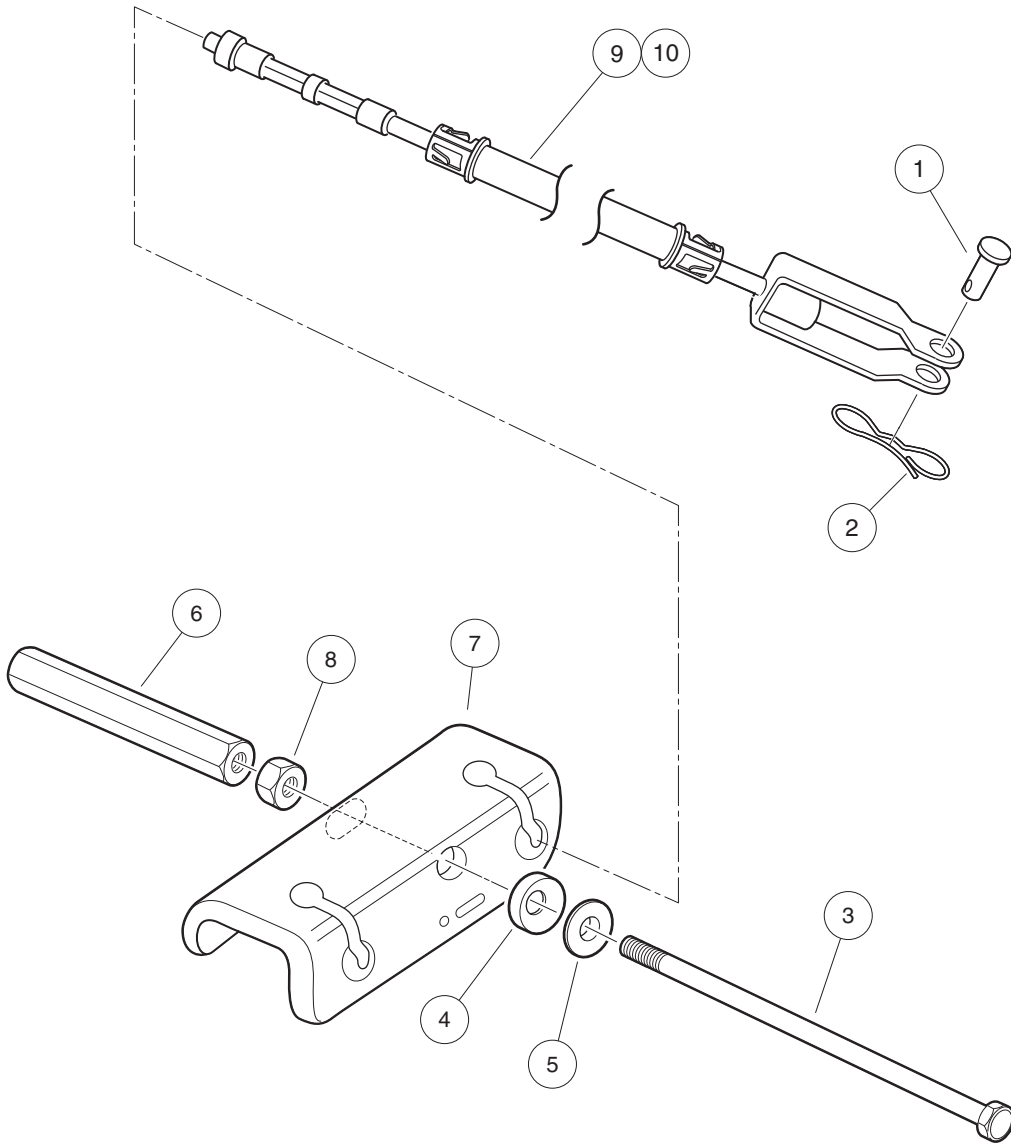


# BRAKE CABLES AND EQUALIZER BRACKET

| ITEM | PART NO.  | DESCRIPTION   | QTY |
|------|-----------|---|-----|
|      |           | <b>1 2 3 4</b>  |     |
| 1    | 102297901 | Bolt, 5/16-18 X 7.375, Hex .....                                    | 1   |
| 2    | 102551901 | Washer, 5/16, Self Comp, Cup .....                                  | 1   |
| 3    | 102552001 | Washer, 5/16, Self Comp, Cone .....                                 | 1   |
| 4    | 102594301 | Nut, 5/16-18, Hex Adjusting -l .....                                | 1   |
| 5    | 103528701 | Kit, Brake Cable, Passenger-side (includes items 6 through 8) ..... | 1   |
| 6    | 1010829   | Pin, Clevis, 5/16 X 3/4 .....                                       | 1   |
| 7    | 102292801 | Pin, Bow Tie Locking - .072 .....                                   | 1   |
| 8    | N/A       | Cable, Brake, Right .....   | 1   |
| 9    | 103528702 | Kit, Brake Cable, Driver-side (includes items 10 through 12) .....  | 1   |
| 10   | 1010829   | Pin, Clevis, 5/16 X 3/4 .....                                       | 1   |
| 11   | 102292801 | Pin, Bow Tie Locking - .072 .....                                   | 1   |
| 12   | N/A       | Cable, Brake, Left .....  | 1   |
| 13   | 103535001 | Bracket, Equalizer .....  | 1   |
| 14   | 1242      | Nut, 5/16-18 Hex .....  | 1   |

**5**  
**G**  
**E**

**5**  
**G**  
**E**



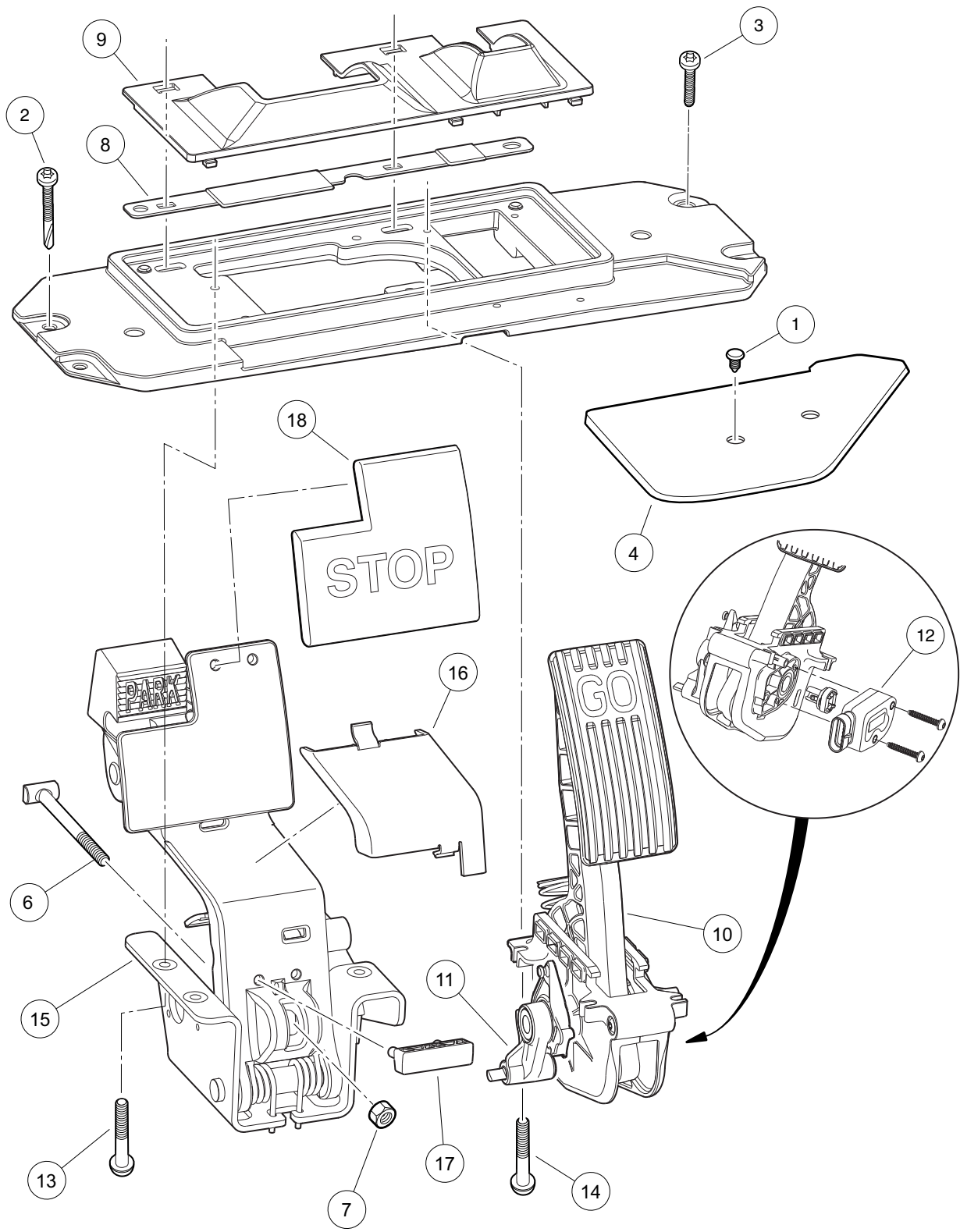
000467-007

# BRAKE CABLES AND EQUALIZER BRACKET – LIFTED VEHICLE

| ITEM | PART NO.    | DESCRIPTION                                      | QTY |
|------|-------------|--|-----|
|      |             | 1 2 3 4  |     |
| 1    | 1010829     | Pin, Clevis, 5/16 X 3/4 .....                    | 2   |
| 2    | 102292801   | Pin, Bow Tie Locking - .072 .....                | 2   |
| 3    | 102297901   | Bolt, 5/16-18 X 7.375, Hex .....                 | 1   |
| 4    | 102551901   | Washer, 5/16, Self Comp, Cup .....               | 1   |
| 5    | 102552001   | Washer, 5/16, Self Comp, Cone .....              | 1   |
| 6    | 102594301   | Nut, 5/16-18, Hex Adjusting -l .....             | 1   |
| 7    | 103535001   | Bracket, Equalizer .....                         | 1   |
| 8    | 1242        | Nut, 5/16-18 Hex .....                           | 1   |
| 9    | 47562652001 | Cable, Brake, Csmr, Lifted, Driver-side .....    | 1   |
| 10   | 47582091001 | Cable, Brake, Csmr, Lifted, Passenger-side ..... | 1   |

5  
G  
E

**5**  
**G**  
**E**



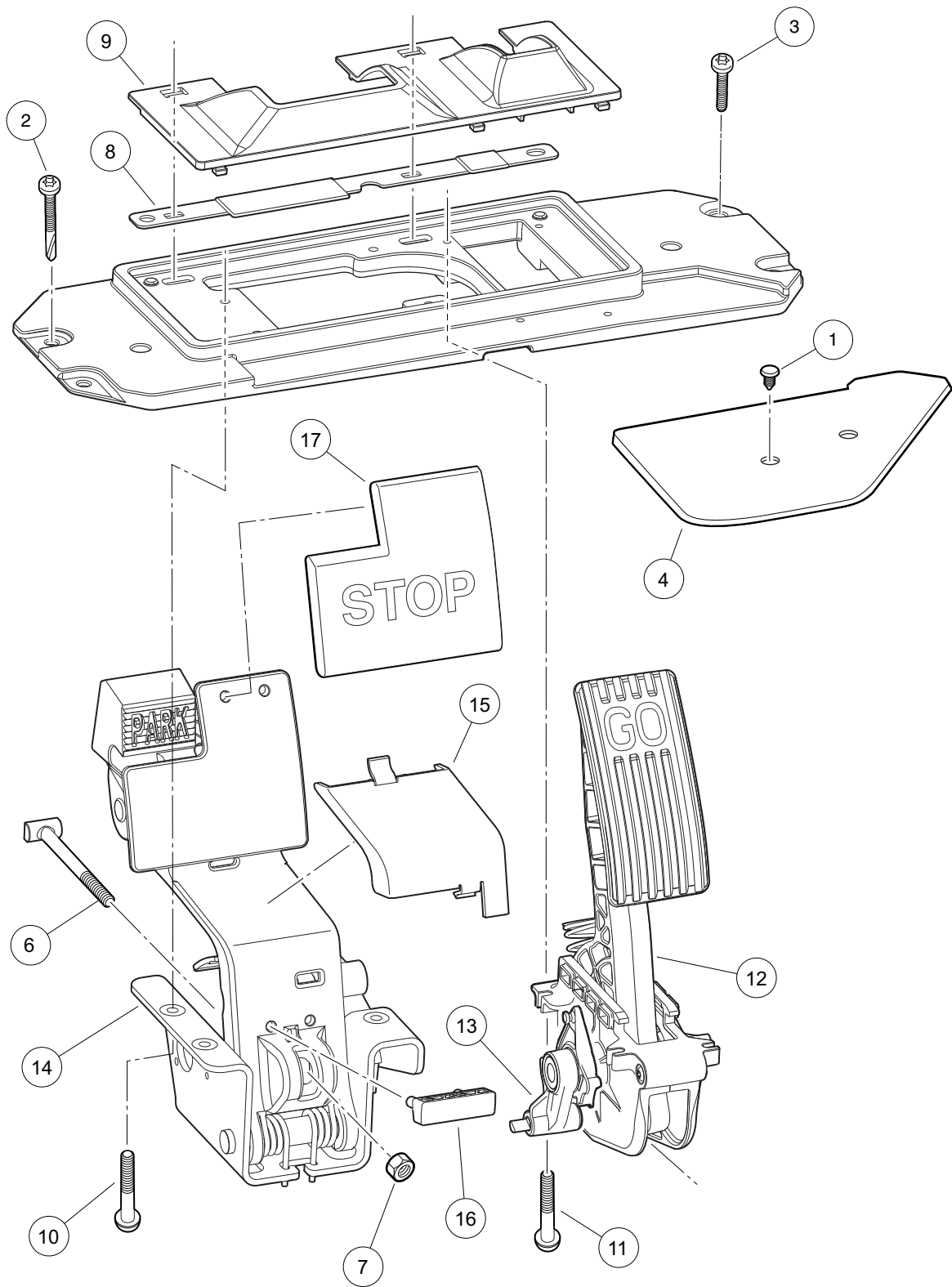
000487-015

## PEDAL GROUP WITH SENSOR – GASOLINE VEHICLE

| ITEM  | PART NO.  | DESCRIPTION  | QTY |
|---|-----------|--|-----|
|   |           | 1 2 3 4  |     |
| 1   | 1010434   | Barrel - Plastic .....   | 1   |
| 2   | 102292201 | Screw-1/4-20x2.20 Tx Pn Hd Sd .....  | 2   |
| 3   | 102298030 | Screw, K80x30, Torx Pn Hd Pt .....   | 2   |
| 4   | 102500801 | Plate - Floor Cover .....  | 1   |
| 5   | 103974815 | Asm, Pedal Set, Anodized, Service, Gas Vehicle (includes items 6 through 15) ..... | 1   |
| 6   | 102559401 | Rod, Brake .....   | 1   |
| 7   | 102559701 | Nut, Brake Rod .....   | 1   |
| 8   | 102594801 | Shield, Debris Aux .....   | 1   |
| 9   | 102594901 | Shield, Debris Primary .....   | 1   |
| 10  | 102595502 | Asm, Accel. Pedal/Throttle, Anodized, Gas Vehicle (includes items 11 and 12) ..... | 1   |
| 11  | 103777601 | Asm, Park Brake Release, Anodized .....  | 1   |
| 12  | N/A       | Throttle Sensor .....  | 1   |
| 13  | 102595901 | Screw, M6x1.0x17 Ph, Taptite .....   | 4   |
| 14  | 102596001 | Screw, M5x0.8x18 Ph, Taptite .....   | 4   |
| 15  | 103974901 | Asm, Brake Pedal, Anodized (includes items 16 through 18) .....                    | 1   |
| 16  | 102595201 | Cover, Brake .....   | 1   |
| 17  | 102595301 | Upstop, Brake .....  | 1   |
| 18  | 102595401 | Pad, Brake .....   | 1   |
| <p>Note: Item 5 is not illustrated as a complete assembly. All detail parts are identified in the illustration.</p> |           |  |     |

5  
G  
E

**5**  
**G**  
**E**



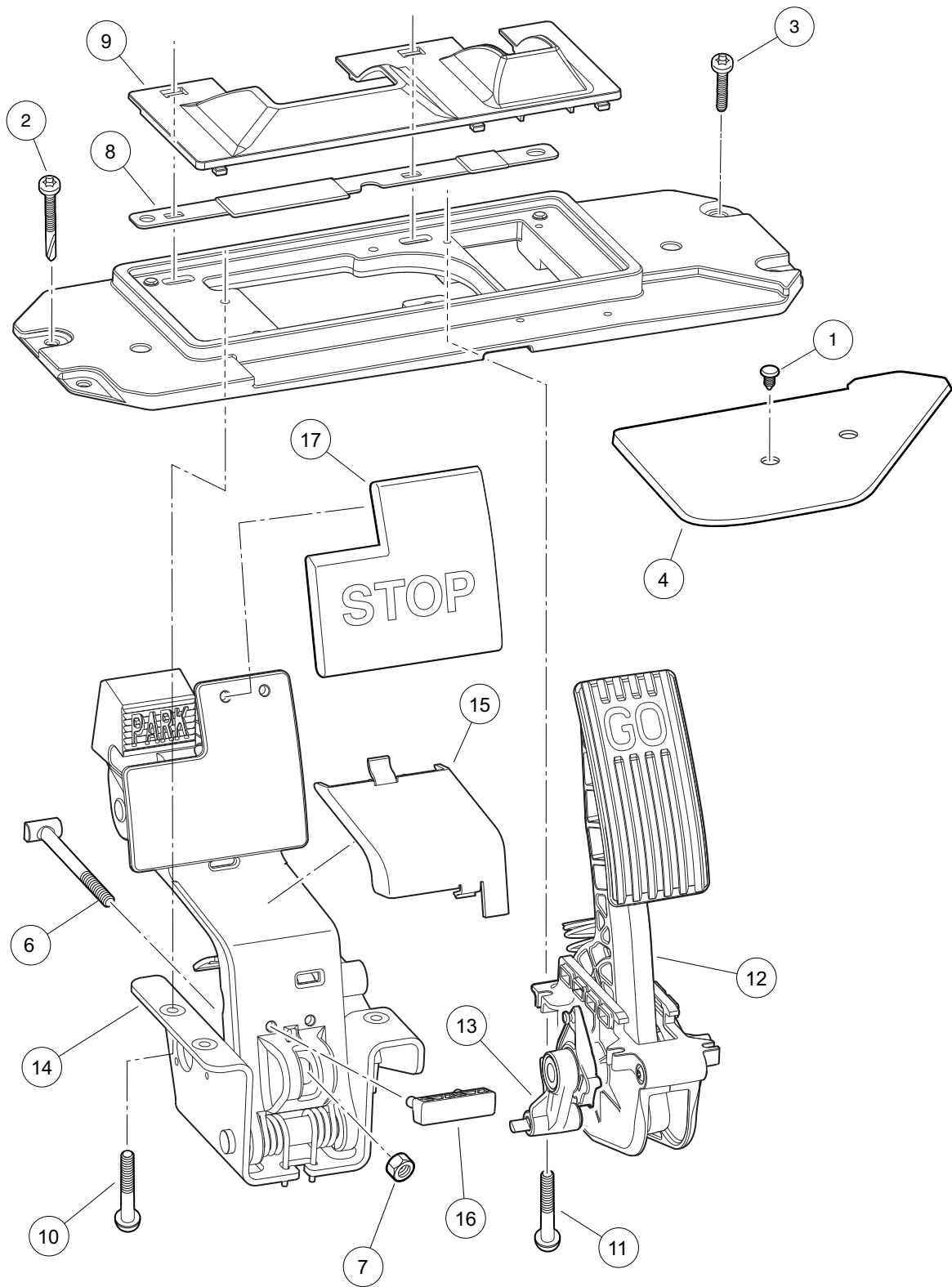
000487-018

## PEDAL GROUP W/O SENSOR, GASOLINE VEHICLE

| ITEM  | PART NO.  | DESCRIPTION  | QTY |
|---|-----------|--|-----|
|   |           | 1 2 3 4  |     |
| 1   | 1010434   | Barrel - Plastic .....   | 1   |
| 2   | 102292201 | Screw-1/4-20x2.20 Tx Pn Hd Sd .....  | 2   |
| 3   | 102298030 | Screw, K80x30, Torx Pn Hd Pt .....   | 2   |
| 4   | 102500801 | Plate - Floor Cover .....  | 1   |
| 5   | 103974821 | Asm, Pedal, Anodized, Field Service, Gas or Elec (includes items 6 through 14) ..... | 1   |
| 6   | 102559401 | Rod, Brake .....   | 1   |
| 7   | 102559701 | Nut, Brake Rod .....   | 1   |
| 8   | 102594801 | Shield, Debris Aux .....   | 1   |
| 9   | 102594901 | Shield, Debris Primary .....   | 1   |
| 10  | 102595901 | Screw, M6x1.0x17 Ph, Taptite .....   | 4   |
| 11  | 102596001 | Screw, M5x0.8x18 Ph, Taptite .....   | 4   |
| 12  | 102596301 | Pedal, Accelerator, Anodized (includes item 13) .....                                | 1   |
| 13  | 103777601 | Asm, Park Brake Release, Anodized .....  | 1   |
| 14  | 103974901 | Asm, Brake Pedal, Anodized (includes items 15 through 17) .....                      | 1   |
| 15  | 102595201 | Cover, Brake .....   | 1   |
| 16  | 102595301 | Upstop, Brake .....  | 1   |
| 17  | 102595401 | Pad, Brake .....   | 1   |
| <p>Note: Pedal Assembly (item 5) has no sensor and is common to both gas and electric vehicles. Item 5 is not illustrated as a complete assembly. All applicable details are illustrated.</p> |           |  |     |

5  
G  
E

**5**  
**G**  
**E**



000487-016

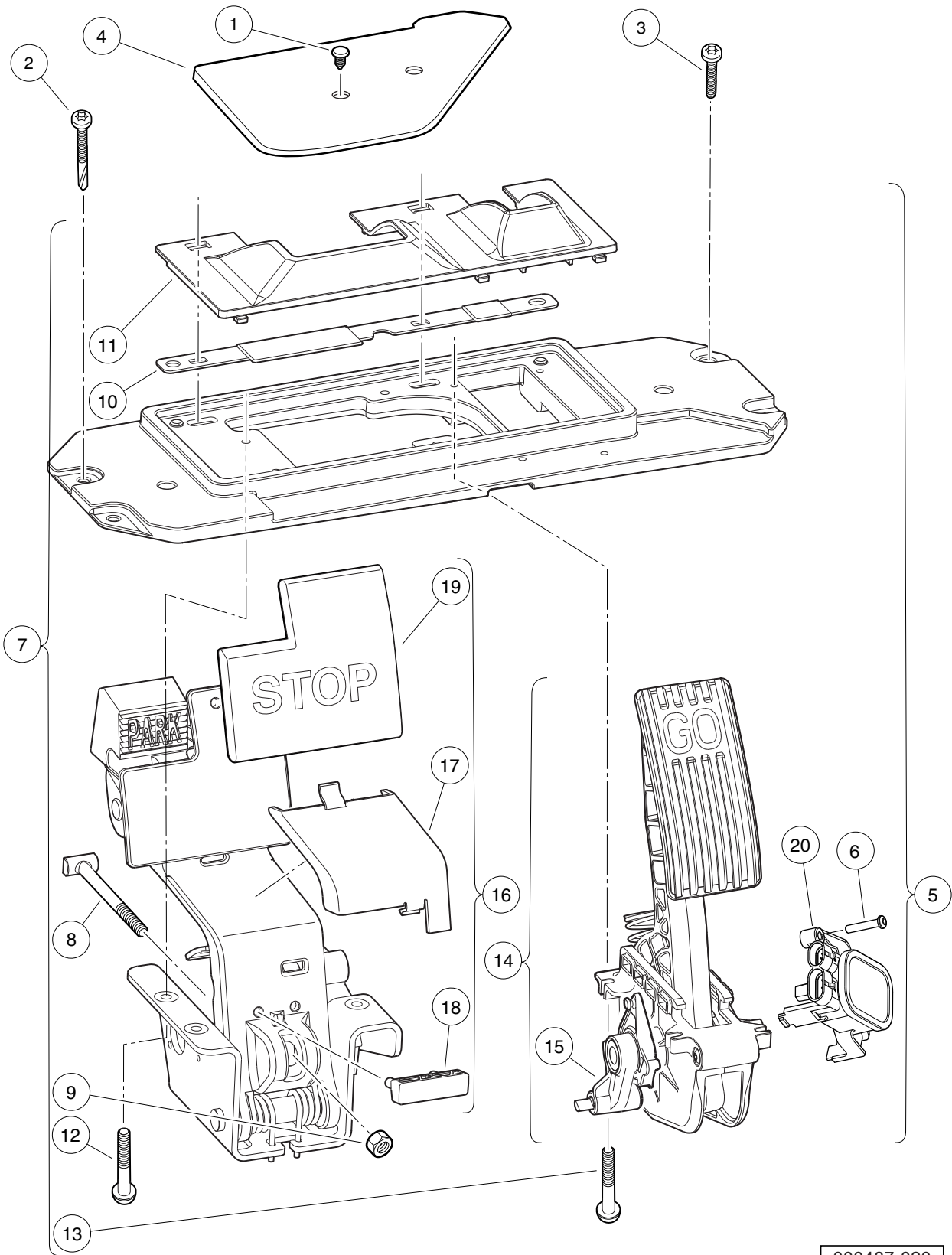


## PEDAL GROUP W/O MCOR – ELECTRIC VEHICLE

| ITEM  | PART NO.  | DESCRIPTION  | QTY |
|---|-----------|--|-----|
|   |           | 1 2 3 4  |     |
| 1   | 1010434   | Barrel - Plastic .....   | 1   |
| 2   | 102292201 | Screw-1/4-20x2.20 Tx Pn Hd Sd .....  | 2   |
| 3   | 102298030 | Screw, K80x30, Torx Pn Hd Pt .....   | 2   |
| 4   | 102500801 | Plate - Floor Cover .....  | 1   |
| 5   | 103974821 | Asm, Pedal, Anodized, Field Service, Gas or Elec (includes items 6 through 14) ..... | 1   |
| 6   | 102559401 | Rod, Brake .....   | 1   |
| 7   | 102559701 | Nut, Brake Rod .....   | 1   |
| 8   | 102594801 | Shield, Debris Aux .....   | 1   |
| 9   | 102594901 | Shield, Debris Primary .....   | 1   |
| 10  | 102595901 | Screw, M6x1.0x17 Ph, Taptite .....   | 4   |
| 11  | 102596001 | Screw, M5x0.8x18 Ph, Taptite .....   | 4   |
| 12  | 102596301 | Pedal, Accelerator, Anodized (includes item 13) .....                                | 1   |
| 13  | 103777601 | Asm, Park Brake Release, Anodized .....  | 1   |
| 14  | 103974901 | Asm, Brake Pedal, Anodized (includes items 15 through 17) .....                      | 1   |
| 15  | 102595201 | Cover, Brake .....   | 1   |
| 16  | 102595301 | Upstop, Brake .....  | 1   |
| 17  | 102595401 | Pad, Brake .....   | 1   |
| <p>Note: Pedal Assembly (item 5) has no MCOR and is common to both gas and electric vehicles. Item 5 is not illustrated as a complete assembly. All applicable details are illustrated.</p> |           |  |     |

5  
G  
E

**5**  
**G**  
**E**



000487-020

## PEDAL GROUP WITH MCOR – ELECTRIC VEHICLE

| ITEM   | PART NO.  | DESCRIPTION  | QTY |
|--|-----------|--|-----|
|  |           | 1 2 3 4  |     |
| 1  | 1010434   | Barrel - Plastic .....   | 1   |
| 2  | 102292201 | Screw-1/4-20x2.20 Tx Pn Hd Sd .....  | 2   |
| 3  | 102298030 | Screw, K80x30, Torx Pn Hd Pt .....   | 2   |
| 4  | 102500801 | Plate - Floor Cover .....  | 1   |
| 5  | 103874111 | Asm, Pedal Set, No Switch, w/MCOR, Service (includes items 6 through 20) ..... | 1   |
| 6  | 103943401 | Screw, Pan, #10 X 1.00 Hi-lo .....   | 1   |
| 7  | 103975011 | Asm, Pedal Set, No Switch, Service (includes items 8 through 16) .....         | 1   |
| 8  | 102559401 | Rod, Brake .....   | 1   |
| 9  | 102559701 | Nut, Brake Rod .....   | 1   |
| 10   | 102594801 | Shield, Debris Aux .....   | 1   |
| 11   | 102594901 | Shield, Debris Primary .....   | 1   |
| 12   | 102595901 | Screw, M6x1.0x17 Ph, Taptite .....   | 4   |
| 13   | 102596001 | Screw, M5x0.8x18 Ph, Taptite .....   | 4   |
| 14   | 102596301 | Pedal, Accelerator, Anodized (includes item 15) .....                          | 1   |
| 15   | 103777601 | Asm, Park Brake Release, Anodized .....  | 1   |
| 16   | 103974901 | Asm, Brake Pedal, Anodized (includes items 17 through 19) .....                | 1   |
| 17   | 102595201 | Cover, Brake .....   | 1   |
| 18   | 102595301 | Upstop, Brake .....  | 1   |
| 19   | 102595401 | Pad, Brake .....   | 1   |
| 20   | 105116301 | MCOR4, Type 16 Switch .....  | 1   |
| Note: See the Electrical System Section for more MCOR information. |           |  |     |

5  
G  
E

**5**

**G**

**E**

# STEERING, FRONT AND REAR SUSPENSION – STANDARD HEIGHT

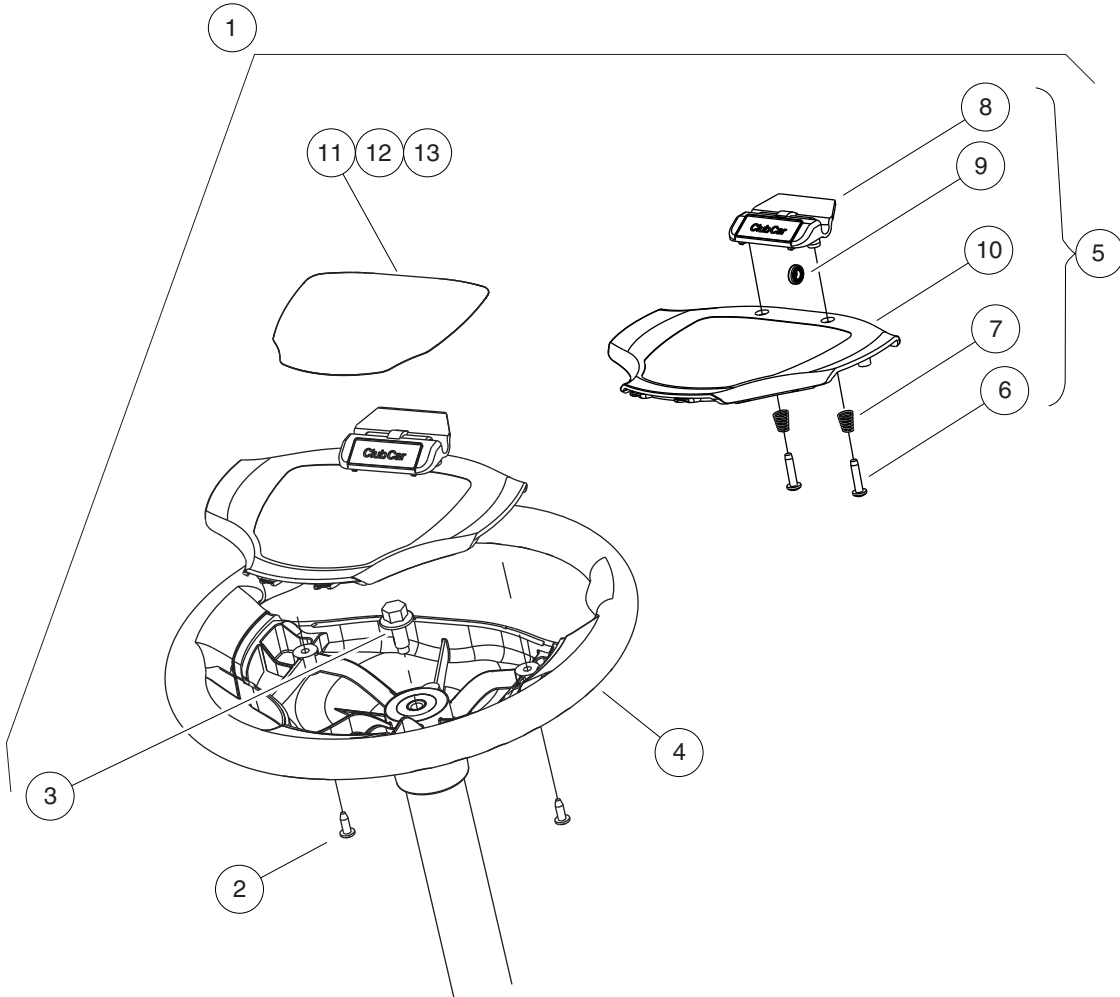
---

6

G

E

**6**  
**G**  
**E**



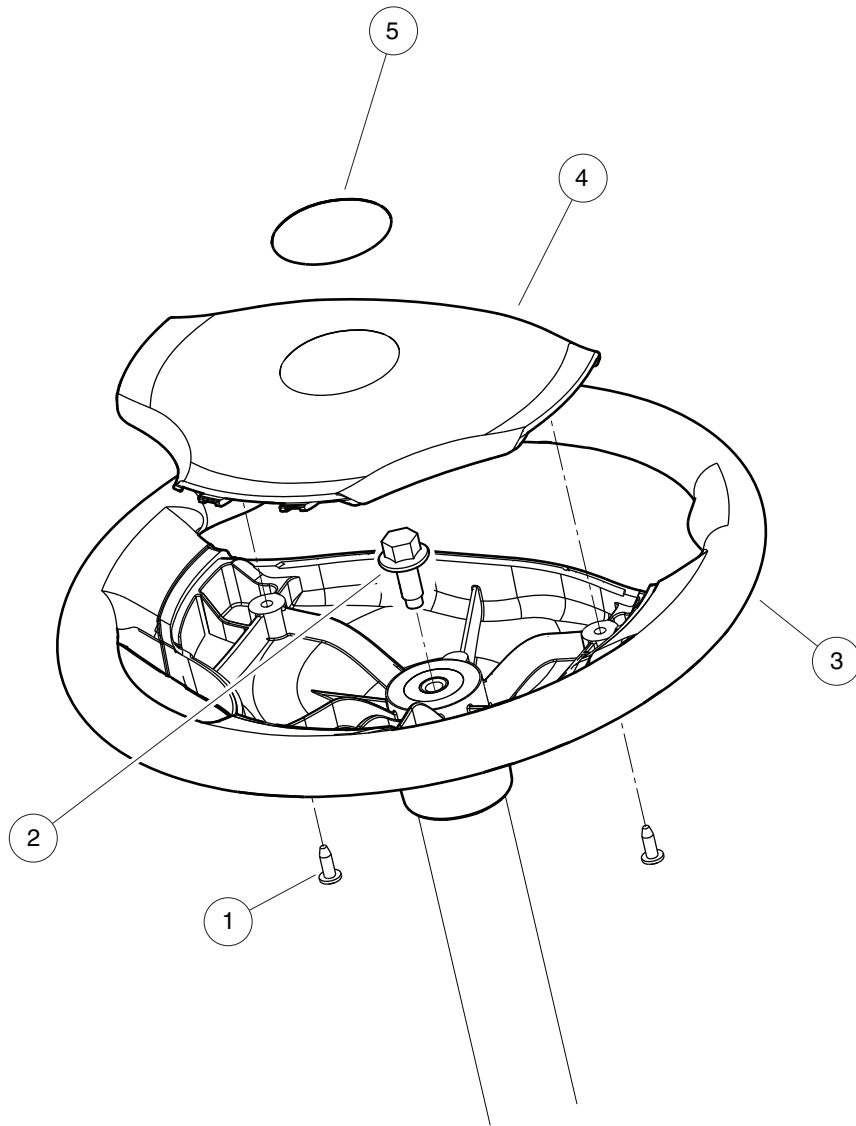
000470-002

## STEERING WHEEL, COMFORT GRIP WITH CLIP

| ITEM   | PART NO.  | DESCRIPTION  | QTY |
|--|-----------|--|-----|
|  |           | 1 2 3 4  |     |
| 1  | 103796701 | Kit, Hex, Steering Wheel (includes items 2 through 13) ..... | 1   |
| 2  | 101850301 | Screw, #12-16 X 0.50 Washer-Head Hi-Lo .....                 | 2   |
| 3  | 102290120 | Bolt, M10 X 20 Hex Washer Hd .....                           | 1   |
| 4  | 103724503 | Steering Wheel, Soft Grip, Hex .....                         | 1   |
| 5  | 103724901 | Asm, Scorecard, Clip (includes items 6 through 10) .....     | 1   |
| 6  | 1012565   | Screw, #12 Phillips Round Head .....                         | 2   |
| 7  | 1012566   | Tapered Compression Spring .....                             | 2   |
| 8  | 1016154   | Clip, Scorecard .....  | 1   |
| 9  | 1016214   | Pencil Grip .....  | 1   |
| 10   | 103724601 | Cover, Steering Wheel, Clip .....                            | 1   |
| 11   | 103783001 | Decal, Op Instr, Ele .....                                   | 1   |
| 12   | 103783002 | Decal, Op Instr, Gas Ps .....                                | 1   |
| 13   | 103783003 | Decal, Op Instr, Gas Ks .....                                | 1   |
| <p>Note: Decal Item 13 is not used for Precedent vehicles.</p> |           |  |     |

6  
G  
E

**6**  
**G**  
**E**



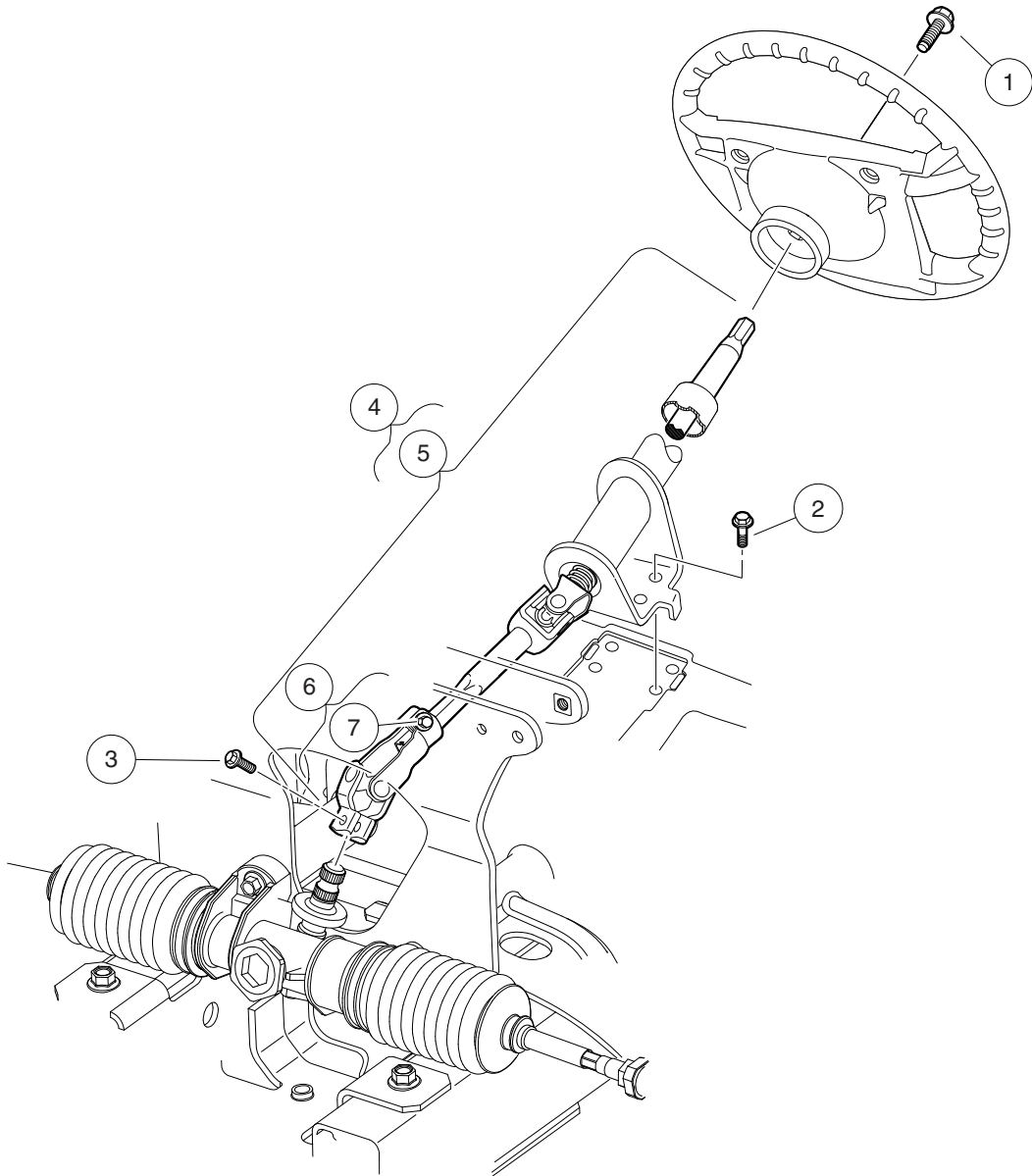
001389-001



# STEERING WHEEL, COMFORT GRIP WITH LOGO

| ITEM | PART NO.  | DESCRIPTION                                  | QTY |
|------|-----------|--|-----|
|      |           | <b>1 2 3 4</b>                               |     |
| 1    | 101850301 | Screw, #12-16 X 0.50 Washer-Head Hi-Lo ..... | 2   |
| 2    | 102290120 | Bolt, M10 X 20 Hex Washer Hd .....           | 1   |
| 3    | 103724503 | Steering Wheel, Soft Grip, Hex .....         | 1   |
| 4    | 103724602 | Cover, Steering Wheel, Generic .....         | 1   |
| 5    | 103829401 | Logo, Cci, Steer Wheel .....                 | 1   |

6  
G  
E



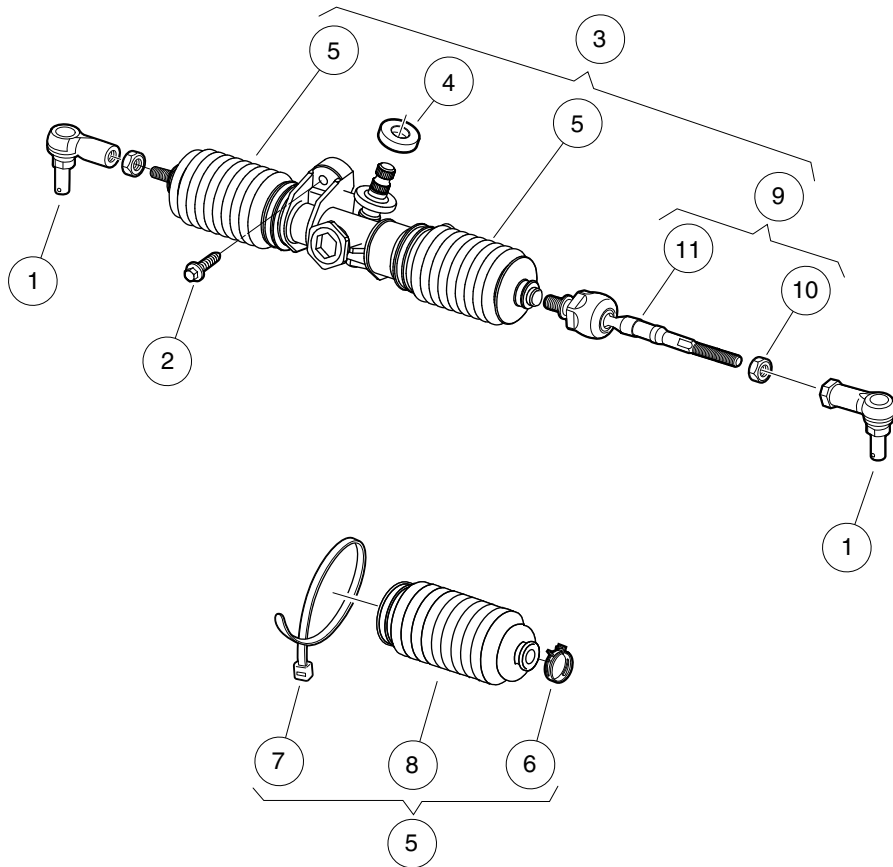
000469-007

# STEERING COLUMN

| ITEM | PART NO.  | DESCRIPTION                                      | QTY |
|------|-----------|--|-----|
|      |           | <b>1 2 3 4</b>                                   |     |
| 1    | 102290120 | Bolt, M10 X 20 Hex Washer Hd .....               | 1   |
| 2    | 102298116 | Bolt, Flanged Head, M8 X 16.0 .....              | 4   |
| 3    | 102298130 | Bolt, Flange Head, M8 X 30.0 .....               | 1   |
| 4    | 105049001 | Kit, Inner Steering Clmn (includes item 5) ..... | 1   |
| 5    | 105068601 | Asm, Column, Inner (includes item 6) .....       | 1   |
| 6    | 103810201 | Kit, Lower Yoke, Wanda (includes item 7) .....   | 1   |
| 7    | 102298130 | Bolt, Flange Head, M8 X 30.0 .....               | 1   |

**6**  
**G**  
**E**

**6**  
**G**  
**E**



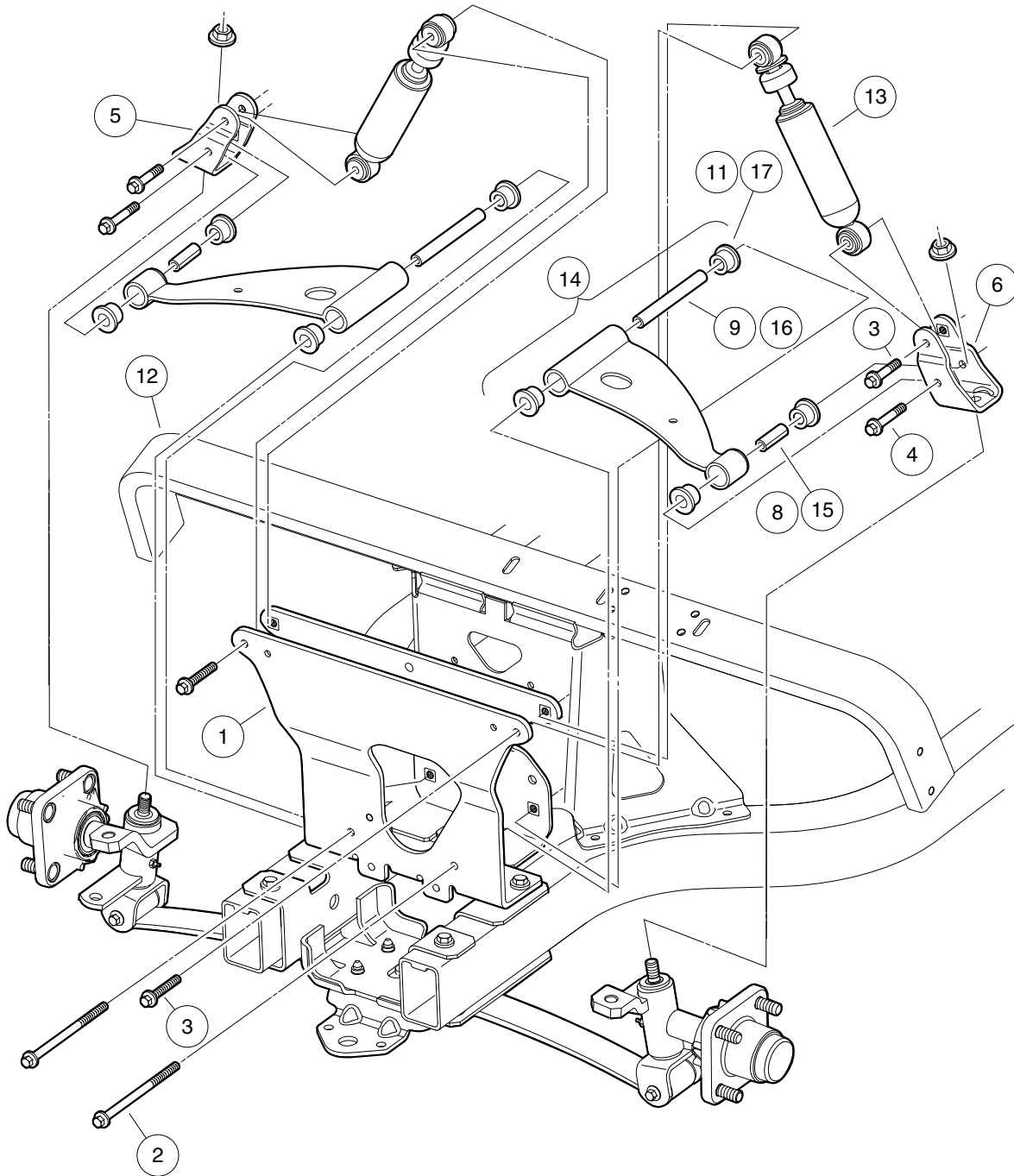
000476-005

# STEERING GEAR ASSEMBLY

| ITEM | PART NO.  | DESCRIPTION   | QTY |
|------|-----------|---|-----|
|      |           | <b>1 2 3 4</b>  |     |
| 1    | 102022601 | End, Tie Rod M12 X 1.25 Rh .....  | 2   |
| 2    | 102289001 | Screw, M8X1.25X30, Hex .....  | 3   |
| 3    | 103679701 | Asm, Rack & Pinion (includes items 4 through 9) .....                       | 1   |
| 4    | 102565201 | Seal, Dust, Steering Pinion .....   | 1   |
| 5    | 103826201 | Bellow Kit, Steering-sona (includes items 6 through 8) .....                | 2   |
| 6    | 102566001 | Clip, Steering .....  | 1   |
| 7    | 8990      | Tie Wrap, 8" Nylon .....  | 1   |
| 8    | N/A       | Bellows .....   | 1   |
| 9    | 103826301 | Kit, IBJ (Inner Ball Joint), Steering-sona (includes items 10 and 11) ..... | 2   |
| 10   | 1013042   | Nut, 12mm Hex .....   | 1   |
| 11   | N/A       | Inner Ball Joint .....  | 1   |

**6**  
**G**  
**E**

**6**  
**G**  
**E**



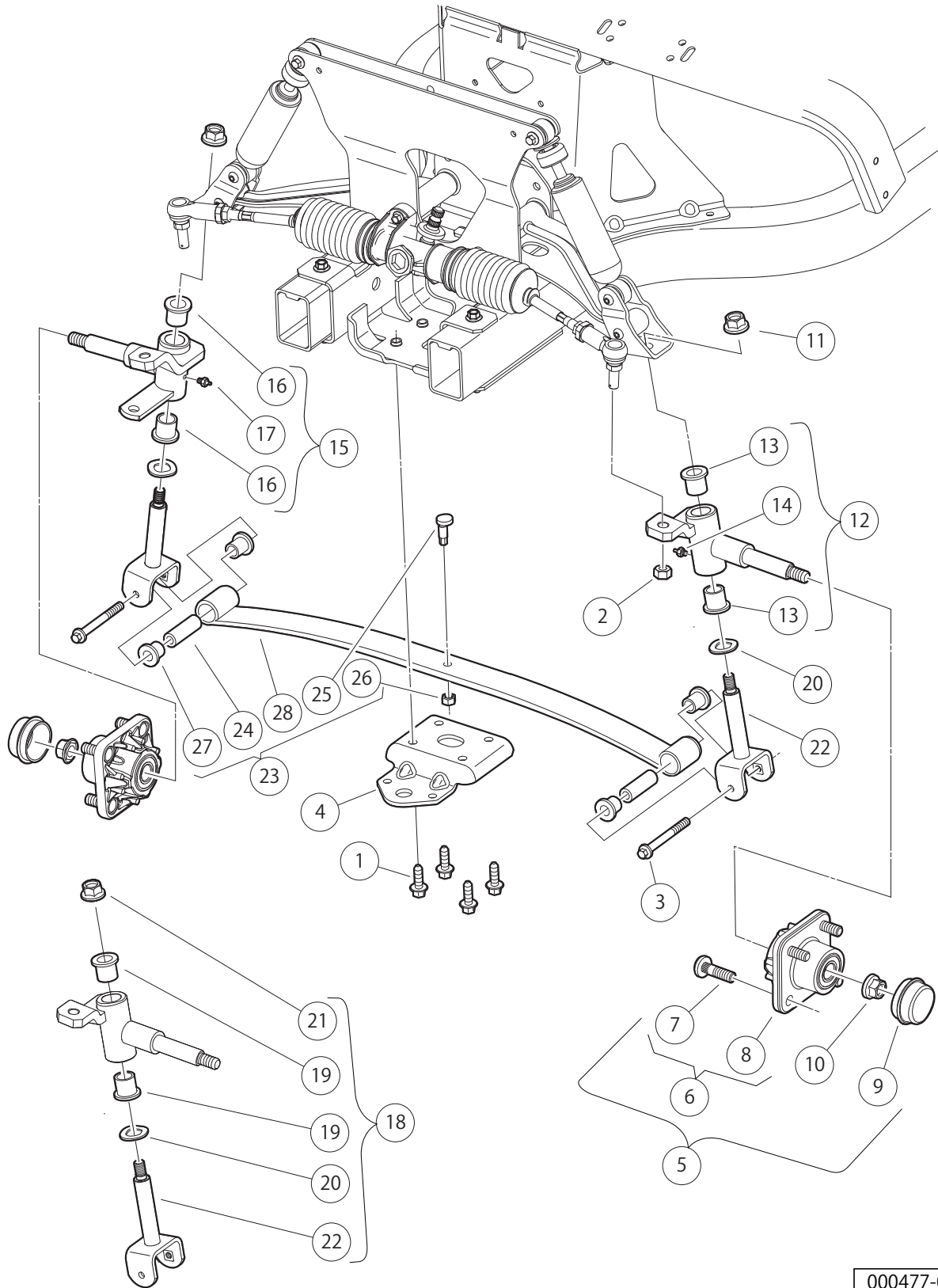
000445-005

## FRONT SUSPENSION, UPPER

| ITEM | PART NO.  | DESCRIPTION  | QTY |
|------|-----------|--|-----|
|      |           | 1 2 3 4  |     |
| 1    | 102287101 | Assembly - Front Structure .....   | 1   |
| 2    | 102288901 | Bolt, Hex, M8x1.25 X 135 .....   | 2   |
| 3    | 102289401 | Screw- Hex Cap, M8 X 1.25 X 45 .....   | 4   |
| 4    | 102289501 | Screw- Hex Cap, M8 X 1.25 X 70 .....   | 2   |
| 5    | 102289601 | Upper Clevis Assembly, Passenger-side .....  | 1   |
| 6    | 102289701 | Upper Clevis Assembly, Driver-side .....   | 1   |
| 7    | 102289901 | Kit, Susp, Bushing Joints (includes items 8 through 11) .....  | 1   |
| 8    | 102287601 | Sleeve - Rolled, Outer .....   | 2   |
| 9    | 102287701 | Sleeve - Rolled, Inner .....   | 2   |
| 10   | 102288101 | Sleeve - Rolled, Spring .....  | 2   |
| 11   | 102956201 | Bushing, Urethane, Short .....   | 12  |
| 12   | 102505701 | Assembly, Dash Support .....   | 1   |
| 13   | 102588601 | Shock Absorber Front .....   | 2   |
| 14   | 103388501 | Asm, 3 Piece A-arm, Bushings (includes items 15 through 17) .....  | 2   |
| 15   | 102287601 | Sleeve - Rolled, Outer .....   | 1   |
| 16   | 102287701 | Sleeve - Rolled, Inner .....   | 1   |
| 17   | 102956201 | Bushing, Urethane, Short .....   | 4   |
|      |           | Note: Item 7 (not shown) includes bushings and sleeves for control arms and front suspension leaf spring. See lower suspension page for illustration of item 10 (not shown). |     |

6  
G  
E

**6**  
**G**  
**E**



000477-009

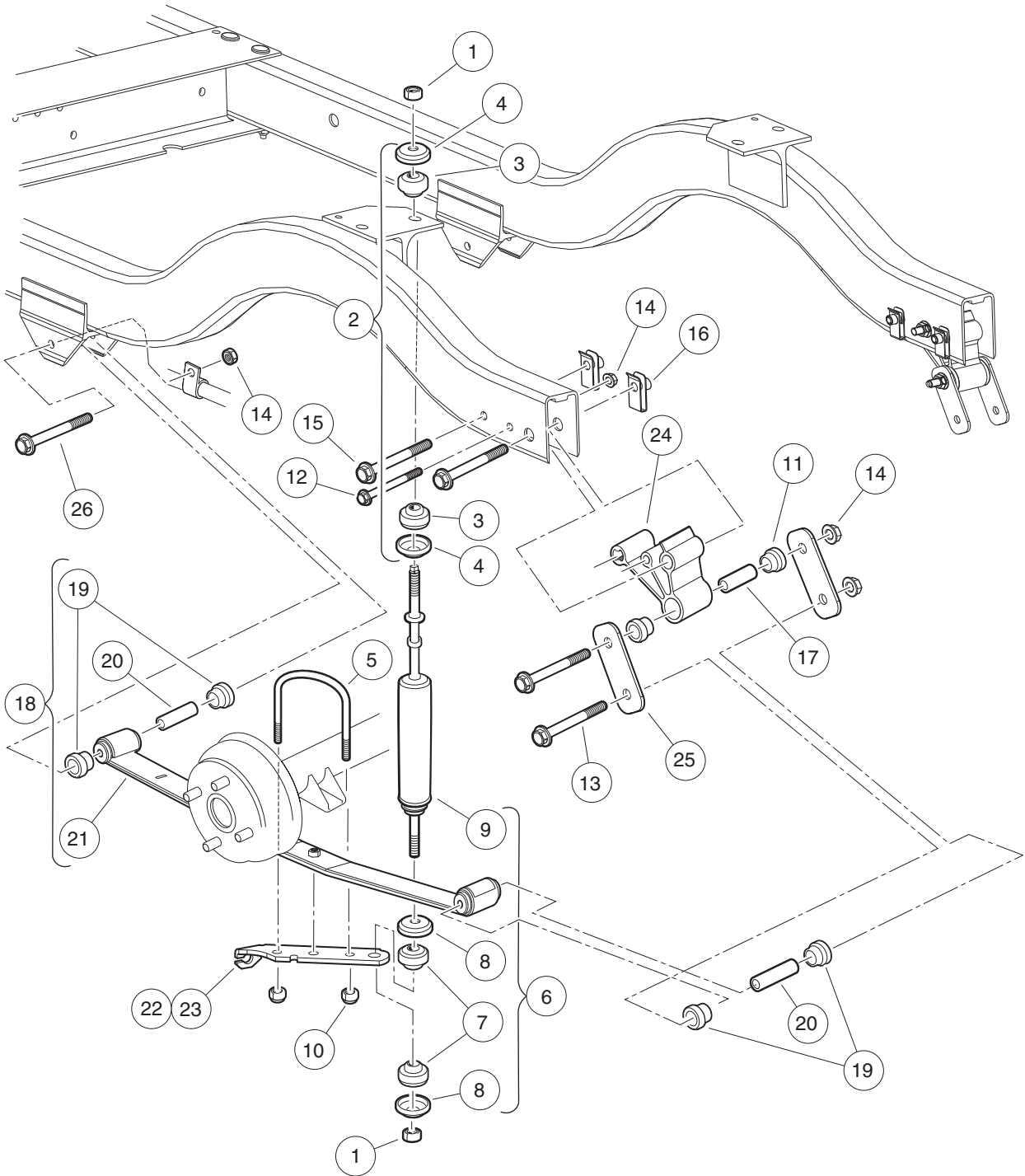


## FRONT SUSPENSION, LOWER

| ITEM | PART NO.  | DESCRIPTION  | QTY |
|------|-----------|--|-----|
|      |           | <b>1 2 3 4</b>   |     |
| 1    | 102289101 | Screw-m10x1.5, Trilob, Hex Fl .....  | 4   |
| 2    | 102289201 | Nut - Hex Locking, M12 X 1.25 .....  | 2   |
| 3    | 102289501 | Screw- Hex Cap, M8 X 1.25 X 70 .....   | 2   |
| 4    | 102289801 | Clamp - Leaf Spring .....  | 1   |
| 5    | 102357701 | Replacement Kit, Front Hub (includes items 6 through 10) .....               | 1   |
| 6    | N/A       | Front Hub Assembly, Ball Bearing (includes items 7 and 8) .....              | 1   |
| 7    | 102353401 | Lug Stud, 1/2-20 UNF, 4037 Stl .....   | 4   |
| 8    | N/A       | Hub, Front .....   | 1   |
| 9    | 102353201 | Cap, Front Hub .....   | 1   |
| 10   | 102353301 | Hex Nut, Locking Flange, M14x2 .....   | 1   |
| 11   | 102878201 | Nut, Lock,m12,washer,conical .....   | 2   |
| 12   | 103638701 | Asm, Spindle, with Bushings, Driver-side (includes items 13 and 14) .....    | 1   |
| 13   | 102288201 | Bushing - Flanged .....  | 2   |
| 14   | N/A       | Fitting, Grease, Knuckle Spindle Asym .....                                  | 1   |
| 15   | 103638702 | Asm, Spindle, with Bushings, Passenger-side (includes items 16 and 17) ..... | 1   |
| 16   | 102288201 | Bushing - Flanged .....  | 2   |
| 17   | N/A       | Fitting, Grease, Knuckle Spindle Asym .....                                  | 1   |
| 18   | 103638801 | Kit, King Pin Joints (includes items 19 through 22) .....                    | 1   |
| 19   | 102288201 | Bushing - Flanged .....  | 4   |
| 20   | 102288401 | Wave Washer - Kingpin .....  | 2   |
| 21   | 102878201 | Nut, Lock,m12,washer,conical .....   | 2   |
| 22   | 103638601 | Asm, King Pin, M12 .....   | 2   |
| 23   | 103935601 | Asm, Spring, Leaf, Front, 50.4 (includes items 24 through 28) .....          | 1   |
| 24   | 102288101 | Sleeve - Rolled, Spring .....  | 2   |
| 25   | 102288701 | Eccentric Bolt .....   | 1   |
| 26   | 102288801 | Nut-hex, 3/8-16 .....  | 1   |
| 27   | 102956201 | Bushing, Urethane, Short .....   | 2   |
| 28   | 105187901 | Spring, Leaf, Front, 50.4 .....  | 1   |

**6**  
**G**  
**E**

**6**  
**G**  
**E**



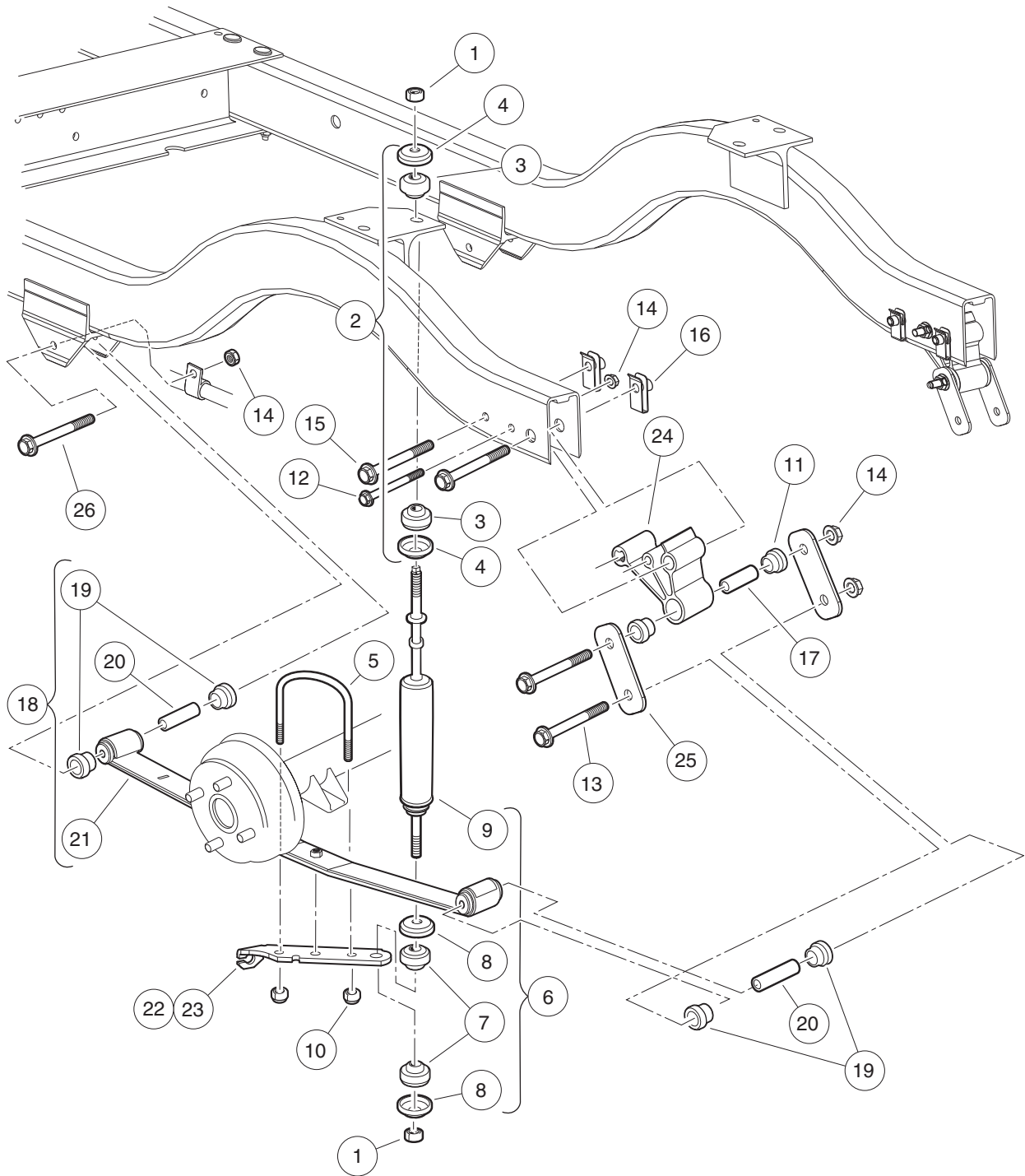
000446-005

## REAR SUSPENSION, GASOLINE VEHICLE

| ITEM | PART NO.    | DESCRIPTION   | QTY |
|------|-------------|---|-----|
|      |             | <b>1 2 3 4</b>  |     |
| 1    | 1010145     | Nut, 3/8-24 Hex .....   | 4   |
| 2    | 1011415     | Kit, Shock Absorber Cushion (includes items 3 and 4) .....        | 2   |
| 3    | N/A         | Retainer, Shock Absorber Cushion .....                            | 2   |
| 4    | 47579096001 | Isolator, Shock Damper .....                                      | 2   |
| 5    | 1012180     | U-Bolt .....  | 2   |
| 6    | 1013164     | Shock Absorber Kit (includes items 7 through 9) .....             | 1   |
| 7    | N/A         | Cushion, Shock Absorber .....                                     | 8   |
| 8    | N/A         | Retainer, Shock Absorber Cushion .....                            | 8   |
| 9    | 102588501   | Shock Absorber, Rear .....  | 2   |
| 10   | 1014555     | Locknut, 7/16-14 Nylon Hex .....                                  | 4   |
| 11   | 1015583     | Bushing, Urethane .....   | 4   |
| 12   | 102298170   | Bolt - Flange Hd, M8 X 70.0 .....                                 | 2   |
| 13   | 102298175   | Bolt - Flange Hd, M8 X 75.0 .....                                 | 2   |
| 14   | 102298401   | Nut,m8,all Metal Lock .....                                       | 8   |
| 15   | 102298580   | M8-1.25 X 80 Sems .....   | 4   |
| 16   | 102298601   | J-clip - M8 X 1.25 .....  | 4   |
| 17   | 102506401   | Sleeve - Spring Eye Mounts .....                                  | 2   |
| 18   | 103742305   | Asm, Rear Leaf Spring, Light (includes items 19 through 21) ..... | 2   |
| 19   | 101558302   | Bushing, Urethane, Soft .....                                     | 4   |
| 20   | 102506401   | Sleeve - Spring Eye Mounts .....                                  | 2   |
| 21   | N/A         | Leaf Spring, Rear, Light .....                                    | 1   |
| 22   | 103921601   | Bracket, Shock Mounting, Drv .....                                | 1   |
| 23   | 103921602   | Bracket, Shock Mounting, Pas .....                                | 1   |
| 24   | 103964901   | Spacer, Rail, Shackle .....                                       | 2   |
| 25   | 103965001   | Brkt, Shackle, Rear .....   | 4   |
| 26   | 105188185   | Bolt, M8 X 85mm, 10.9 Grade .....                                 | 4   |

**6**  
**G**  
**E**

**6**  
**G**  
**E**



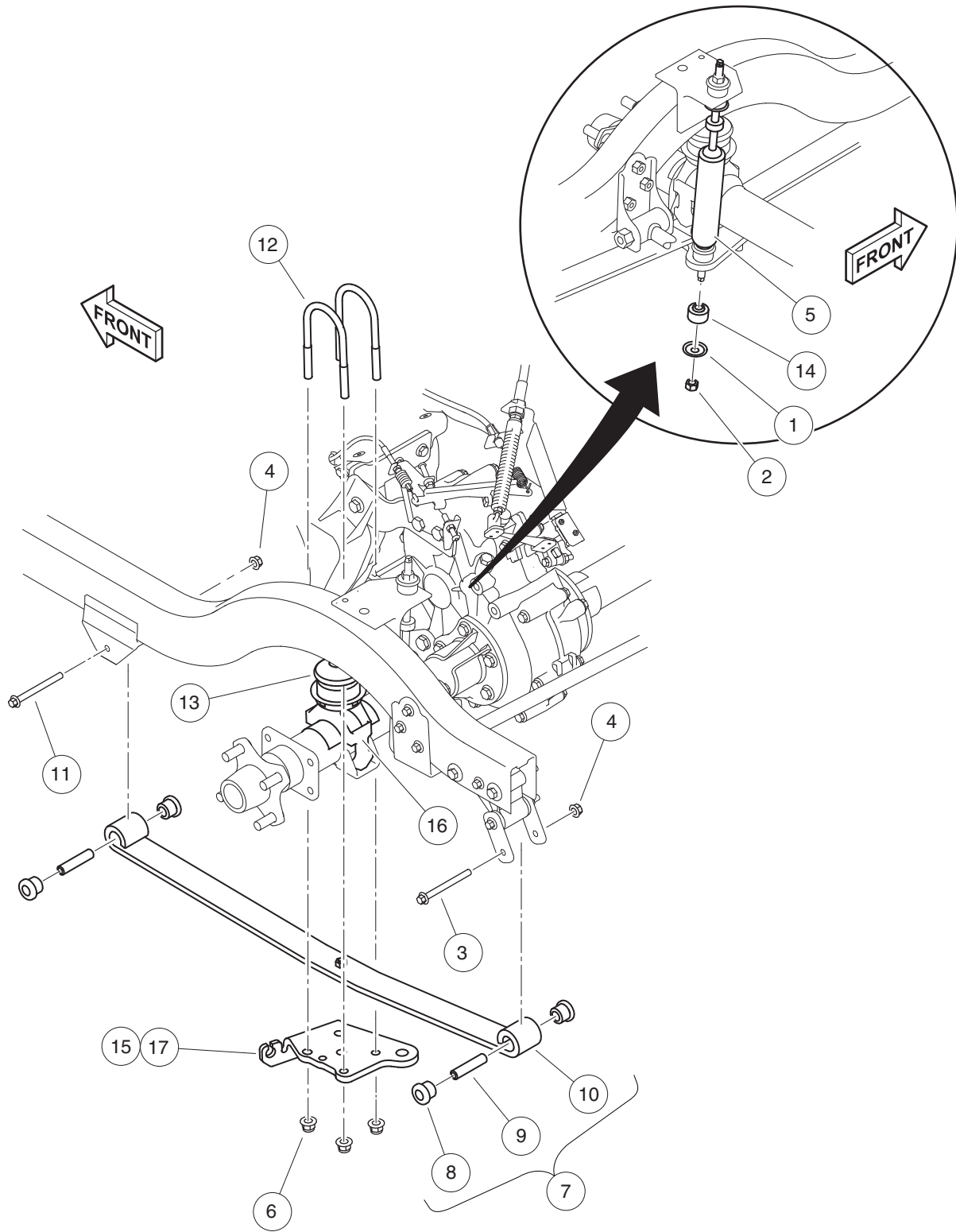
000446-005

## REAR SUSPENSION, ELECTRIC VEHICLE

| ITEM | PART NO.    | DESCRIPTION   | QTY |
|------|-------------|---|-----|
|      |             | <b>1 2 3 4</b>  |     |
| 1    | 1010145     | Nut, 3/8-24 Hex .....   | 4   |
| 2    | 1011415     | Kit, Shock Absorber Cushion (includes items 3 and 4) .....      | 2   |
| 3    | N/A         | Retainer, Shock Absorber Cushion .....                          | 2   |
| 4    | 47579096001 | Isolator, Shock Damper .....                                    | 2   |
| 5    | 1012180     | U-Bolt .....  | 2   |
| 6    | 1013164     | Shock Absorber Kit (includes items 7 through 9) .....           | 1   |
| 7    | N/A         | Cushion, Shock Absorber .....                                   | 8   |
| 8    | N/A         | Retainer, Shock Absorber Cushion .....                          | 8   |
| 9    | 102588501   | Shock Absorber, Rear .....                                      | 2   |
| 10   | 1014555     | Locknut, 7/16-14 Nylon Hex .....                                | 4   |
| 11   | 1015583     | Bushing, Urethane .....   | 4   |
| 12   | 102298170   | Bolt - Flange Hd, M8 X 70.0 .....                               | 2   |
| 13   | 102298175   | Bolt - Flange Hd, M8 X 75.0 .....                               | 2   |
| 14   | 102298401   | Nut,m8,all Metal Lock .....                                     | 8   |
| 15   | 102298580   | M8-1.25 X 80 Sems .....   | 4   |
| 16   | 102298601   | J-clip - M8 X 1.25 .....  | 4   |
| 17   | 102506401   | Sleeve - Spring Eye Mounts .....                                | 2   |
| 18   | 103742304   | Asm, Rear Leaf Spring, Std (includes items 19 through 21) ..... | 2   |
| 19   | 101558302   | Bushing, Urethane, Soft .....                                   | 4   |
| 20   | 102506401   | Sleeve - Spring Eye Mounts .....                                | 2   |
| 21   | N/A         | Leaf Spring, Rear, Std .....                                    | 1   |
| 22   | 103921601   | Bracket, Shock Mounting, Drv .....                              | 1   |
| 23   | 103921602   | Bracket, Shock Mounting, Pas .....                              | 1   |
| 24   | 103964901   | Spacer, Rail, Shackle .....                                     | 2   |
| 25   | 103965001   | Brkt, Shackle, Rear .....                                       | 4   |
| 26   | 105188185   | Bolt, M8 X 85mm, 10.9 Grade .....                               | 4   |

**6**  
**G**  
**E**

**6**  
**G**  
**E**



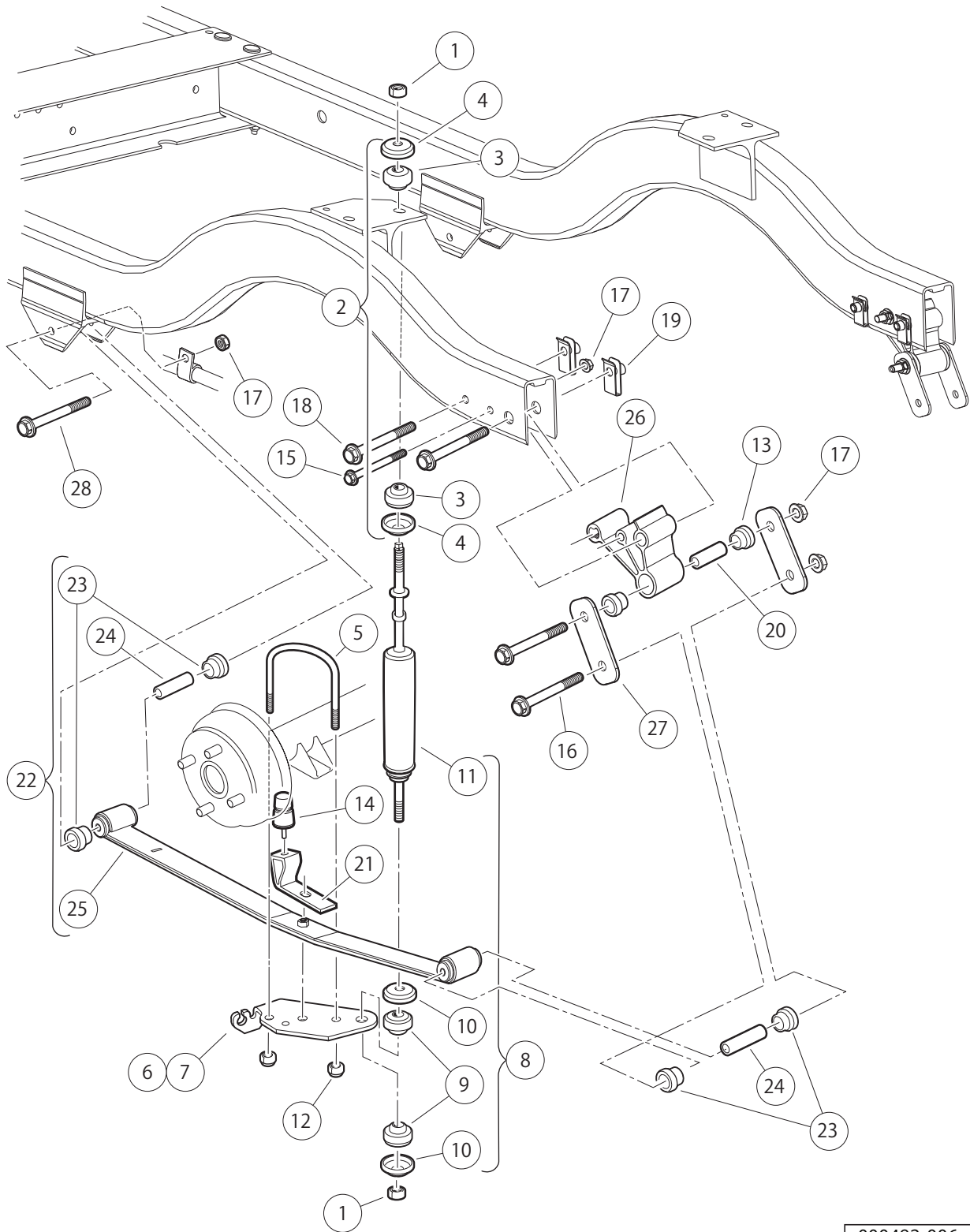
001396-001

# REAR SUSPENSION, GASOLINE 4-PASSENGER – CONSUMER

| ITEM | PART NO.    | DESCRIPTION  | QTY |
|------|-------------|--|-----|
|      |             | 1 2 3 4  |     |
| 1    | N/A         | Retainer, Shock Absorber Cushion .....                         | 8   |
| 2    | 1010145     | Nut, 3/8-24 Hex .....  | 4   |
| 3    | 102298175   | Bolt - Flange Hd, M8 X 75.0 .....                              | 2   |
| 4    | 102298401   | Nut,m8,all Metal Lock .....                                    | 4   |
| 5    | 102588501   | Shock Absorber, Rear .....                                     | 2   |
| 6    | 102670701   | Nut, Flange, M10 X 1.5 Nylon .....                             | 8   |
| 7    | 103742304   | Asm, Rear Leaf Spring, Std (includes items 8 through 10) ..... | 2   |
| 8    | 101558302   | Bushing, Urethane, Soft .....                                  | 4   |
| 9    | 102506401   | Sleeve - Spring Eye Mounts .....                               | 2   |
| 10   | N/A         | Leaf Spring, Rear, Std .....                                   | 1   |
| 11   | 105188185   | Bolt, M8 X 85mm, 10.9 Grade .....                              | 2   |
| 12   | 105188701   | U-bolt, M10x1.5x58 .....                                       | 4   |
| 13   | 47576196001 | Bumper, Jounce, D-255828 .....                                 | 2   |
| 14   | 47579096001 | Isolator, Shock Damper .....                                   | 8   |
| 15   | 47583665001 | Bracket, U-bolt, with Panhard Mount, Passenger-side .....      | 1   |
| 16   | 47583666001 | Bracket, Perch, Bumper, Jounce .....                           | 2   |
| 17   | 47583912001 | Bracket, U-bolt, Driver-side .....                             | 1   |

6  
G  
E

**6**  
**G**  
**E**



000492-006

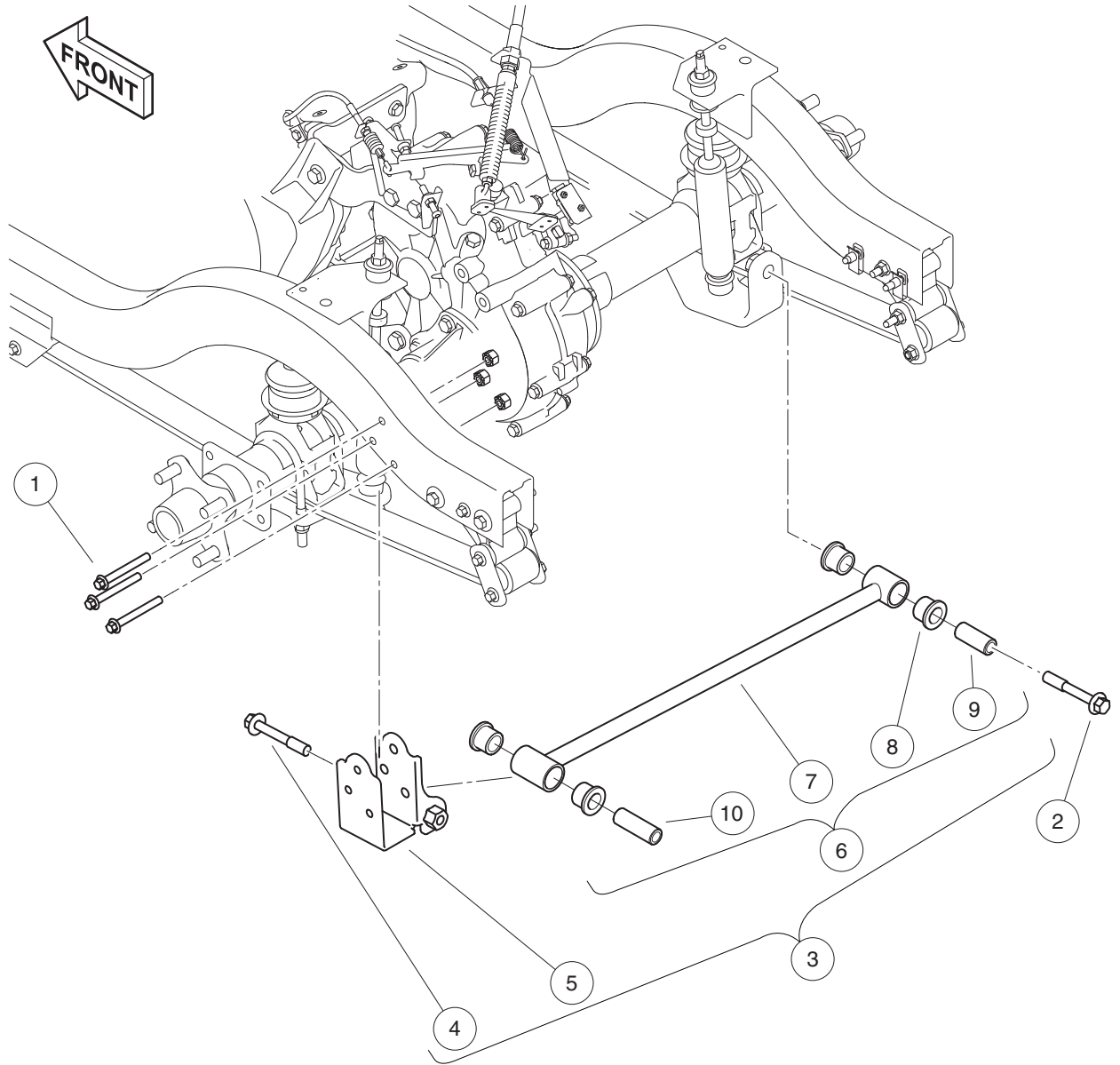


# REAR SUSPENSION, FOUR PASSENGER ELECTRIC, OPTIONAL TWO OR FOUR PASSENGER HD

| ITEM | PART NO.    | DESCRIPTION  | QTY |
|------|-------------|--|-----|
|      |             | <b>1 2 3 4</b>   |     |
| 1    | 1010145     | Nut, 3/8-24 Hex .....                                      | 4   |
| 2    | 1011415     | Kit, Shock Absorber Cushion (includes items 3 and 4) ..... | 2   |
| 3    | N/A         | Retainer, Shock Absorber Cushion .....                     | 2   |
| 4    | 47579096001 | Isolator, Shock Damper .....                               | 2   |
| 5    | 1012180     | U-Bolt .....   | 2   |
| 6    | 1012181     | Bracket, Shock Mounting, Right (Passenger) .....           | 1   |
| 7    | 1012182     | Bracket, Shock Mounting, Left (Driver) .....               | 1   |
| 8    | 1013164     | Shock Absorber Kit (includes items 9 through 11) .....     | 1   |
| 9    | N/A         | Cushion, Shock Absorber .....                              | 8   |
| 10   | N/A         | Retainer, Shock Absorber Cushion .....                     | 8   |
| 11   | 102588501   | Shock Absorber, Rear .....                                 | 2   |
| 12   | 1014555     | Locknut, 7/16-14 Nylon Hex .....                           | 4   |
| 13   | 1015583     | Bushing, Urethane .....                                    | 4   |
| 14   | 1017235     | Bumper, Jounce .....                                       | 2   |
| 15   | 102298170   | Bolt - Flange Hd, M8 X 70.0 .....                          | 2   |
| 16   | 102298175   | Bolt - Flange Hd, M8 X 75.0 .....                          | 2   |
| 17   | 102298401   | Nut,m8,all Metal Lock .....                                | 8   |
| 18   | 102298580   | M8-1.25 X 80 Sems .....                                    | 4   |
| 19   | 102298601   | J-clip - M8 X 1.25 .....                                   | 4   |
| 20   | 102506401   | Sleeve - Spring Eye Mounts .....                           | 2   |
| 21   | 102534801   | Jounce Bumper Bracket .....                                | 2   |
| 22   | 103742306   | Asm, Rear Leaf Spring (includes items 23 through 25) ..... | 2   |
| 23   | 101558302   | Bushing, Urethane, Soft .....                              | 4   |
| 24   | 102506401   | Sleeve - Spring Eye Mounts .....                           | 2   |
| 25   | N/A         | Leaf Spring, Rear .....                                    | 1   |
| 26   | 103964901   | Spacer, Rail, Shackle .....                                | 2   |
| 27   | 103965001   | Brkt, Shackle, Rear .....                                  | 4   |
| 28   | 105188185   | Bolt, M8 X 85mm, 10.9 Grade .....                          | 4   |

**6**  
**G**  
**E**

**6**  
**G**  
**E**



001392-001

# PANHARD ROD

| ITEM | PART NO.    | DESCRIPTION   | QTY |
|------|-------------|---|-----|
|      |             | <b>1 2 3 4</b>  |     |
| 1    | 102298170   | Bolt - Flange Hd, M8 X 70.0 .....                                       | 3   |
| 2    | 103146501   | Bolt, Flg, M12 X 1.75 X 80 .....  | 1   |
| 3    | 47577865001 | Assy, Panhard and Frame Rail Bracket (includes items 4 through 6) ..... | 1   |
| 4    | 103146501   | Bolt, Flg, M12 X 1.75 X 80 .....  | 1   |
| 5    | 47576649001 | Bkt, Frame Rail, Panhard .....  | 1   |
| 6    | 47577864001 | Asm, Rod, Panhard (includes items 7 through 10) .....                   | 1   |
| 7    | 47576650001 | Assy, Weldment, Panhard .....   | 1   |
| 8    | 47576651001 | Bushing, Slip, 3390000-160802 .....                                     | 4   |
| 9    | 47576652001 | Sleeve, Bushing, Panhard, Short .....                                   | 1   |
| 10   | 47576652002 | Sleeve, Bushing, Panhard, Long .....                                    | 1   |

**6**  
**G**  
**E**

**6**

**G**

**E**

# STEERING, FRONT AND REAR SUSPENSION – LIFTED

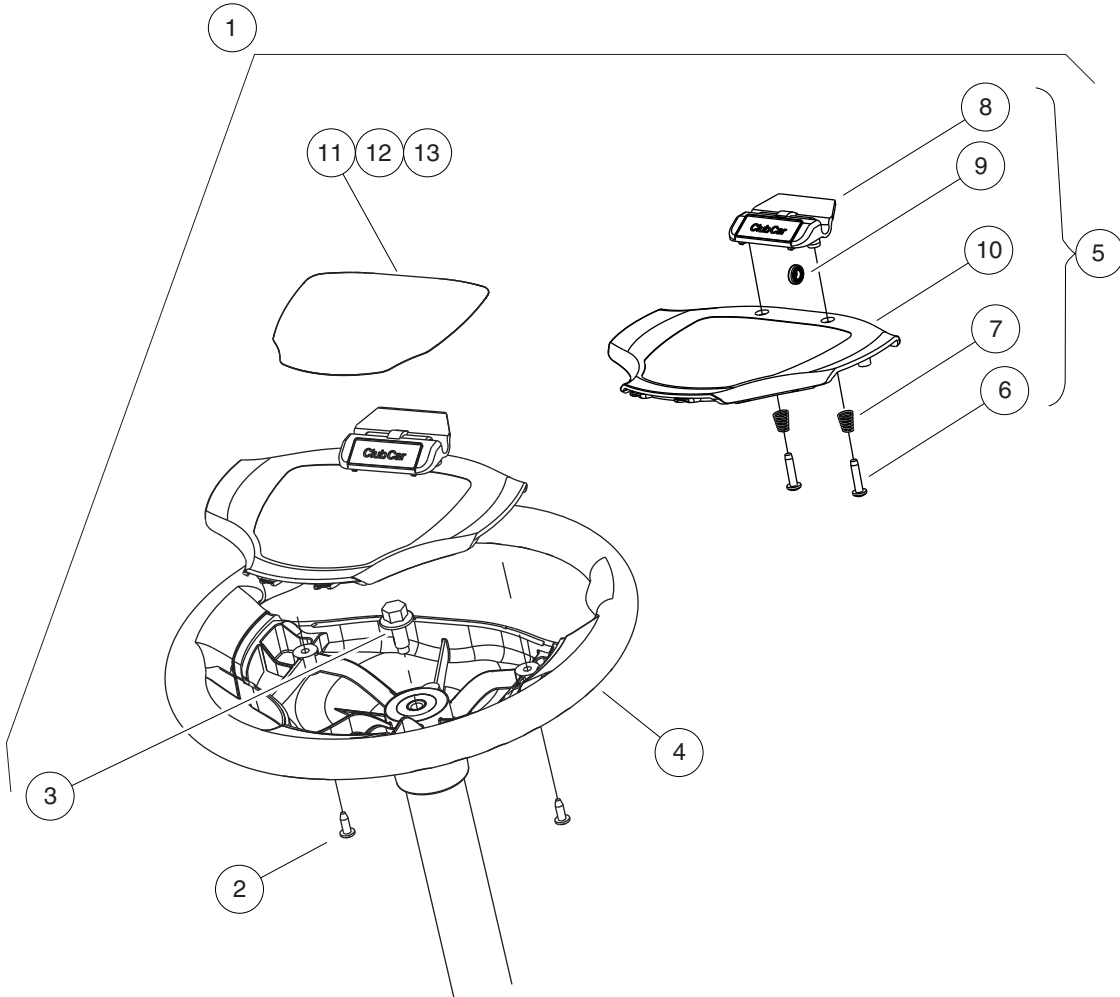
---

7

G

E

**7**  
**G**  
**E**



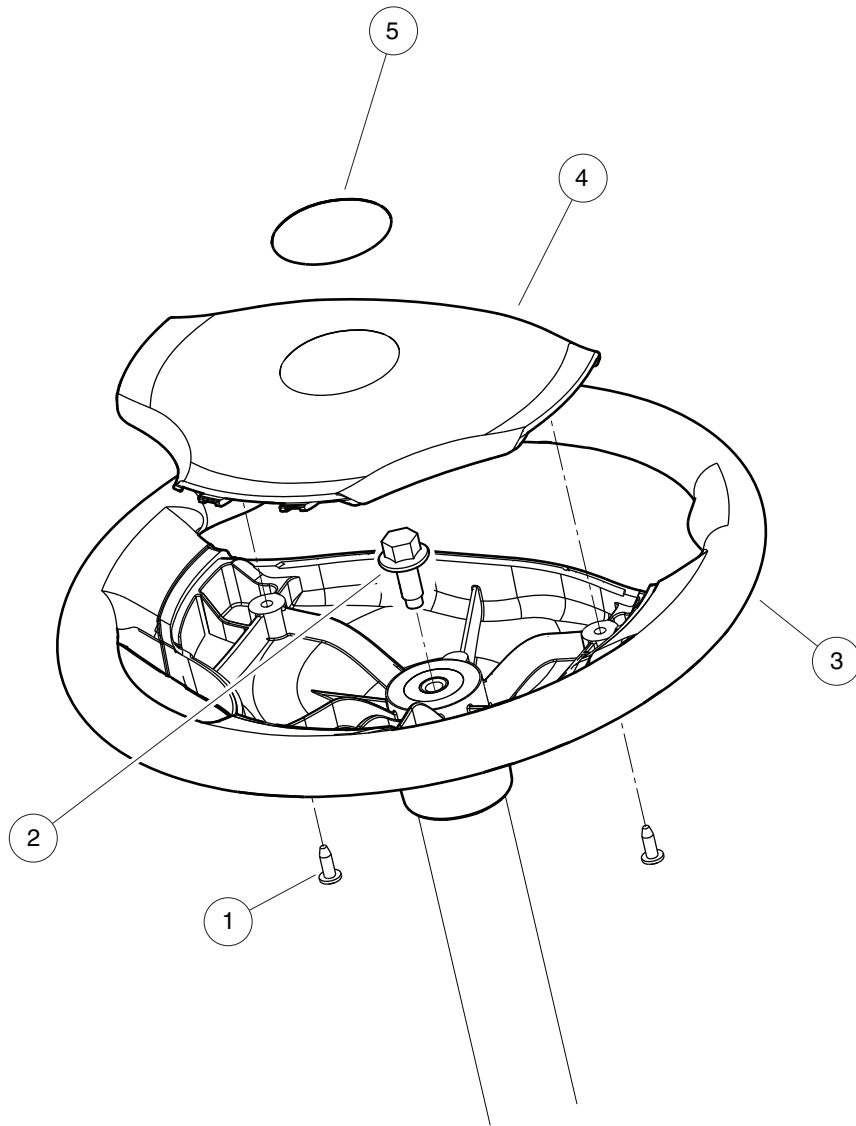
000470-002

## STEERING WHEEL, COMFORT GRIP WITH CLIP

| ITEM   | PART NO.  | DESCRIPTION  | QTY |
|--|-----------|--|-----|
|  |           | 1 2 3 4  |     |
| 1  | 103796701 | Kit, Hex, Steering Wheel (includes items 2 through 13) ..... | 1   |
| 2  | 101850301 | Screw, #12-16 X 0.50 Washer-Head Hi-Lo .....                 | 2   |
| 3  | 102290120 | Bolt, M10 X 20 Hex Washer Hd .....                           | 1   |
| 4  | 103724503 | Steering Wheel, Soft Grip, Hex .....                         | 1   |
| 5  | 103724901 | Asm, Scorecard, Clip (includes items 6 through 10) .....     | 1   |
| 6  | 1012565   | Screw, #12 Phillips Round Head .....                         | 2   |
| 7  | 1012566   | Tapered Compression Spring .....                             | 2   |
| 8  | 1016154   | Clip, Scorecard .....  | 1   |
| 9  | 1016214   | Pencil Grip .....  | 1   |
| 10   | 103724601 | Cover, Steering Wheel, Clip .....                            | 1   |
| 11   | 103783001 | Decal, Op Instr, Ele .....                                   | 1   |
| 12   | 103783002 | Decal, Op Instr, Gas Ps .....                                | 1   |
| 13   | 103783003 | Decal, Op Instr, Gas Ks .....                                | 1   |
| <p>Note: Decal Item 13 is not used for Precedent vehicles.</p> |           |  |     |

7  
G  
E

**7**  
**G**  
**E**



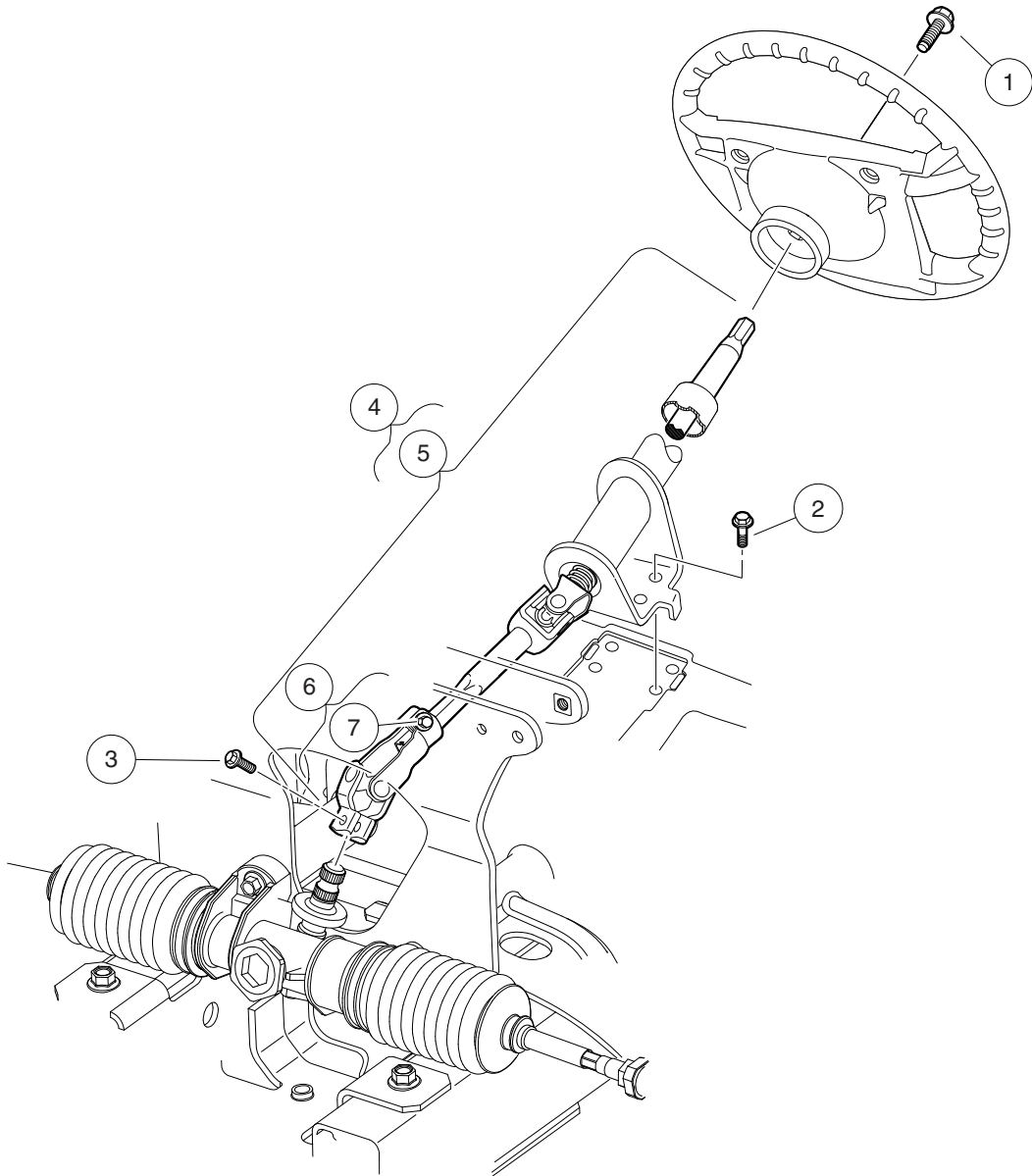
001389-001



# STEERING WHEEL, COMFORT GRIP WITH LOGO

| ITEM | PART NO.  | DESCRIPTION                                  | QTY |
|------|-----------|--|-----|
|      |           | <b>1 2 3 4</b>                               |     |
| 1    | 101850301 | Screw, #12-16 X 0.50 Washer-Head Hi-Lo ..... | 2   |
| 2    | 102290120 | Bolt, M10 X 20 Hex Washer Hd .....           | 1   |
| 3    | 103724503 | Steering Wheel, Soft Grip, Hex .....         | 1   |
| 4    | 103724602 | Cover, Steering Wheel, Generic .....         | 1   |
| 5    | 103829401 | Logo, Cci, Steer Wheel .....                 | 1   |

**7**  
**G**  
**E**

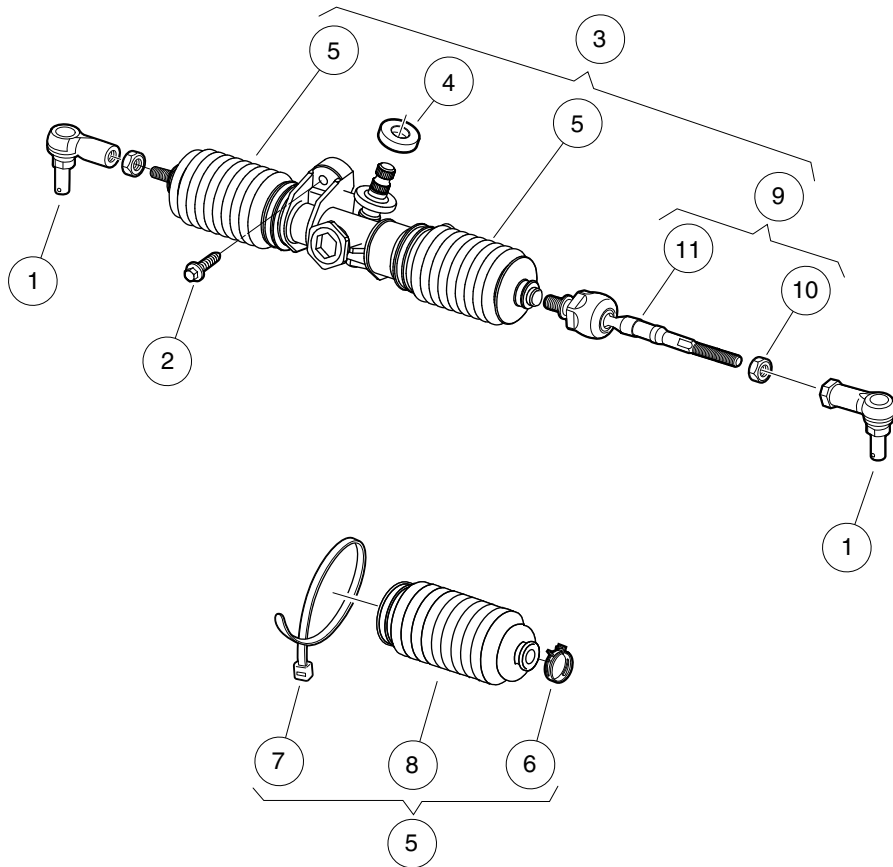


000469-007

# STEERING COLUMN

| ITEM | PART NO.  | DESCRIPTION                                      | QTY |
|------|-----------|--|-----|
|      |           | <b>1 2 3 4</b>                                   |     |
| 1    | 102290120 | Bolt, M10 X 20 Hex Washer Hd .....               | 1   |
| 2    | 102298116 | Bolt, Flanged Head, M8 X 16.0 .....              | 4   |
| 3    | 102298130 | Bolt, Flange Head, M8 X 30.0 .....               | 1   |
| 4    | 105049001 | Kit, Inner Steering Clmn (includes item 5) ..... | 1   |
| 5    | 105068601 | Asm, Column, Inner (includes item 6) .....       | 1   |
| 6    | 103810201 | Kit, Lower Yoke, Wanda (includes item 7) .....   | 1   |
| 7    | 102298130 | Bolt, Flange Head, M8 X 30.0 .....               | 1   |

**7**  
**G**  
**E**



000476-005

# STEERING GEAR ASSEMBLY

| ITEM | PART NO.  | DESCRIPTION   | QTY |
|------|-----------|---|-----|
|      |           | <b>1 2 3 4</b>  |     |
| 1    | 102022601 | End, Tie Rod M12 X 1.25 Rh .....  | 2   |
| 2    | 102289001 | Screw, M8X1.25X30, Hex .....  | 3   |
| 3    | 103679701 | Asm, Rack & Pinion (includes items 4 through 9) .....                       | 1   |
| 4    | 102565201 | Seal, Dust, Steering Pinion .....   | 1   |
| 5    | 103826201 | Bellow Kit, Steering-sona (includes items 6 through 8) .....                | 2   |
| 6    | 102566001 | Clip, Steering .....  | 1   |
| 7    | 8990      | Tie Wrap, 8" Nylon .....  | 1   |
| 8    | N/A       | Bellows .....   | 1   |
| 9    | 103826301 | Kit, IBJ (Inner Ball Joint), Steering-sona (includes items 10 and 11) ..... | 2   |
| 10   | 1013042   | Nut, 12mm Hex .....   | 1   |
| 11   | N/A       | Inner Ball Joint .....  | 1   |

**7**  
**G**  
**E**



## FRONT SUSPENSION, LIFTED

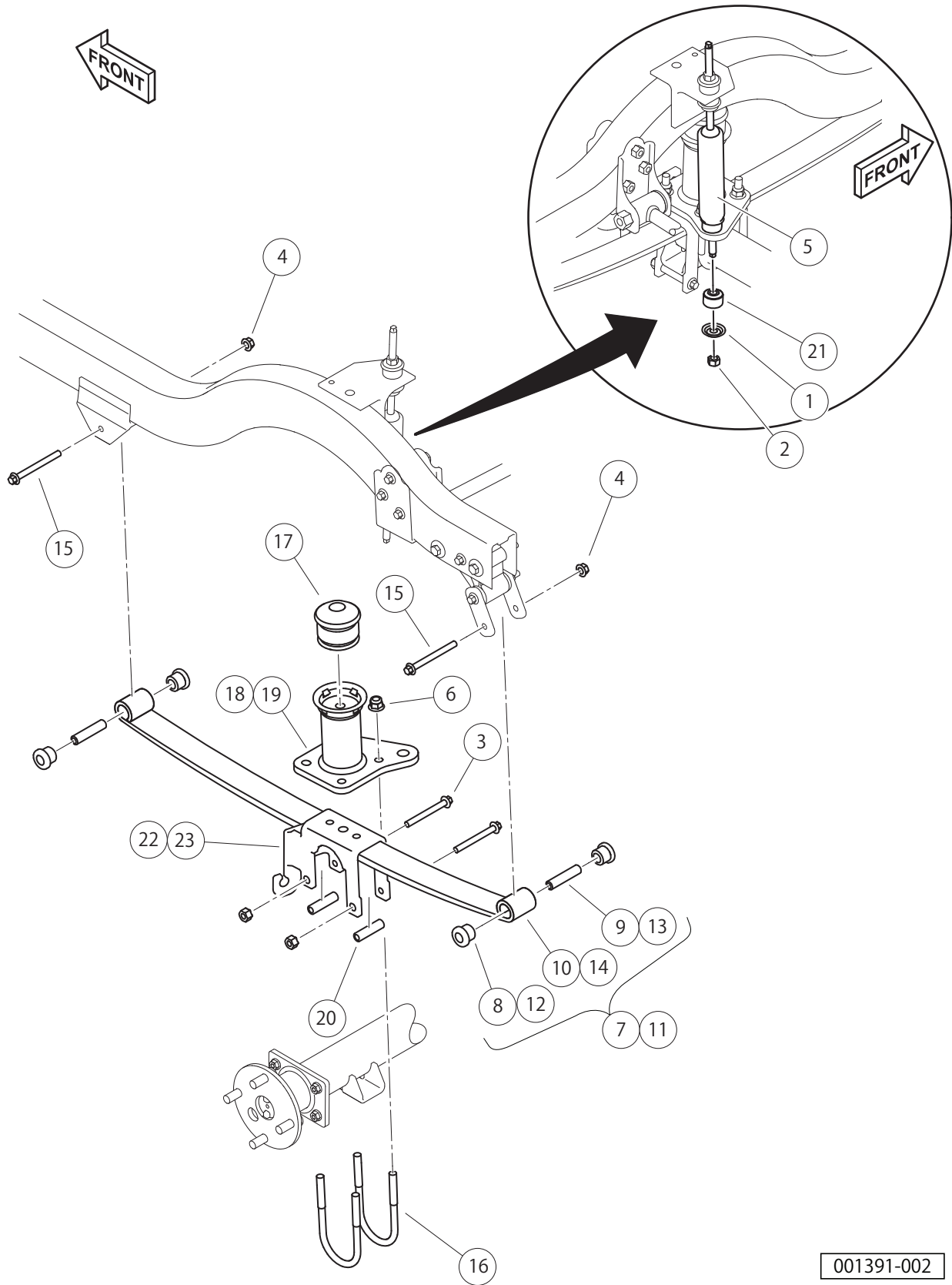
| ITEM  | PART NO.    | DESCRIPTION  | QTY |
|---|-------------|--|-----|
|   |             | <b>1 2 3 4</b>   |     |
| 1   | 102287101   | Assembly - Front Structure .....                                   | 1   |
| 2   | 102288901   | Bolt, Hex, M8x1.25 X 135 .....                                     | 2   |
| 3   | 102289201   | Nut - Hex Locking, M12 X 1.25 .....                                | 2   |
| 4   | 102289401   | Screw- Hex Cap, M8 X 1.25 X 45 .....                               | 4   |
| 5   | 102289801   | Clamp - Leaf Spring .....  | 1   |
| 6   | 102357701   | Replacement Kit, Front Hub (includes items 7 through 9) .....      | 2   |
| 7   | 102353201   | Cap, Front Hub .....   | 1   |
| 8   | 102353301   | Hex Nut, Locking Flange, M14x2 .....                               | 1   |
| 9   | N/A         | Asm, Front Hub, Bb, Long Stud (includes items 10 through 13) ..... | 1   |
| 10  | N/A         | Bearing, Ball, 6204 .....  | 2   |
| 11  | N/A         | Spacer, Bearing, Front Hub, Pm .....                               | 1   |
| 12  | 103477901   | Lug Stud, 1/2-20 Unf, 4037 .....                                   | 4   |
| 13  | N/A         | Front Hub, Ball Brg, Long Stud .....                               | 1   |
| 14  | 102588601   | Shock Absorber Front .....   | 2   |
| 15  | 102618601   | Lock Nut, Flange, M8 X 1.25 Nylon .....                            | 2   |
| 16  | 47566405001 | Screw, Hex 5/8"-18 X 2" Gr5 Zn .....                               | 4   |
| 17  | 47566411001 | Screw, Hhf M10-1.5 X 50 Trilob .....                               | 4   |
| 18  | AM1289701   | Spindle, Driver-side .....   | 1   |
| 19  | AM1289801   | Spindle, Passenger-side .....                                      | 1   |
| 20  | AM1289901   | Lower A-arm Assembly .....   | 1   |
| 21  | AM1290001   | A-arm Assembly, Driver-side .....                                  | 1   |
| 22  | AM1290101   | A-arm Assembly, Passenger-side .....                               | 1   |
| 23  | AM1290201   | Tie Rod Extension .....  | 2   |
| 24  | AM1290501   | Washer, Tapered, 5/8" .....  | 4   |
| Note: Item 6 contains items 7 through 13. Detail items not shown for clarity. |             |  |     |

7

G

E

**7**  
**G**  
**E**



001391-002

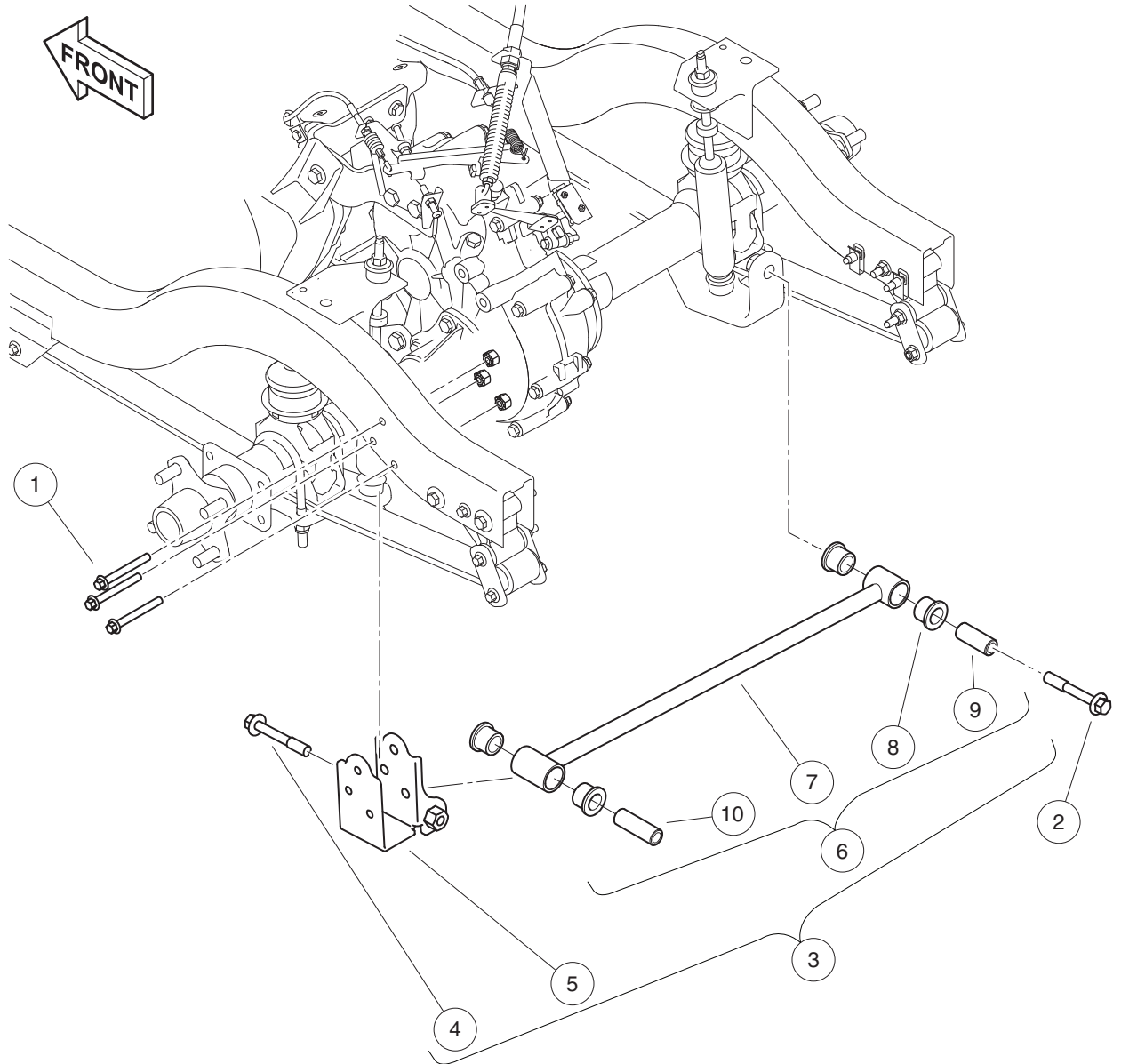


## REAR SUSPENSION, LIFTED

| ITEM | PART NO.    | DESCRIPTION  | QTY |
|------|-------------|--|-----|
|      |             | <b>1 2 3 4</b>   |     |
| 1    | N/A         | Retainer, Shock Absorber Cushion .....                         | 8   |
| 2    | 1010145     | Nut, 3/8-24 Hex .....  | 4   |
| 3    | 102298175   | Bolt - Flange Hd, M8 X 75.0 .....                              | 4   |
| 4    | 102298401   | Nut,m8,all Metal Lock .....                                    | 4   |
| 5    | 102588501   | Shock Absorber, Rear .....                                     | 2   |
| 6    | 102670701   | Nut, Flange, M10 X 1.5 Nylon .....                             | 8   |
| 7    | 103742304   | Asm, Rear Leaf Spring, Std (includes items 8 through 10) ..... | 2   |
| 8    | 101558302   | Bushing, Urethane, Soft .....                                  | 4   |
| 9    | 102506401   | Sleeve - Spring Eye Mounts .....                               | 2   |
| 10   | N/A         | Leaf Spring, Rear, Std .....                                   | 1   |
| 11   | 103742307   | Asm, Rear Leaf Spring, HD (includes items 12 through 14) ..... | 2   |
| 12   | 101558302   | Bushing, Urethane, Soft .....                                  | 4   |
| 13   | 102506401   | Sleeve - Spring Eye Mounts .....                               | 2   |
| 14   | 103742207   | Leaf Spring, Rear, HD .....                                    | 1   |
| 15   | 105188185   | Bolt, M8 X 85mm, 10.9 Grade .....                              | 4   |
| 16   | 105188701   | U-bolt, M10x1.5x58 .....                                       | 4   |
| 17   | 47576196001 | Bumper, Jounce, D-255828 .....                                 | 2   |
| 18   | 47576197001 | Bracket, Bumper, Jounce, Driver-side .....                     | 1   |
| 19   | 47576198001 | Bracket, Bumper, Jounce, Passenger-side .....                  | 1   |
| 20   | 47576648001 | Sleeve, Perch, Spring .....                                    | 4   |
| 21   | 47579096001 | Isolator, Shock Damper .....                                   | 8   |
| 22   | 47603899001 | Brkt, Perch, Spring, Lh .....                                  | 1   |
| 23   | 47603900001 | Brkt, Perch, Spring, Rh .....                                  | 1   |

**7**  
**G**  
**E**

**7**  
**G**  
**E**



001392-001

# PANHARD ROD

| ITEM | PART NO.    | DESCRIPTION   | QTY |
|------|-------------|---|-----|
|      |             | <b>1 2 3 4</b>  |     |
| 1    | 102298170   | Bolt - Flange Hd, M8 X 70.0 .....                                       | 3   |
| 2    | 103146501   | Bolt, Flg, M12 X 1.75 X 80 .....  | 1   |
| 3    | 47577865001 | Assy, Panhard and Frame Rail Bracket (includes items 4 through 6) ..... | 1   |
| 4    | 103146501   | Bolt, Flg, M12 X 1.75 X 80 .....  | 1   |
| 5    | 47576649001 | Bkt, Frame Rail, Panhard .....  | 1   |
| 6    | 47577864001 | Asm, Rod, Panhard (includes items 7 through 10) .....                   | 1   |
| 7    | 47576650001 | Assy, Weldment, Panhard .....   | 1   |
| 8    | 47576651001 | Bushing, Slip, 3390000-160802 .....                                     | 4   |
| 9    | 47576652001 | Sleeve, Bushing, Panhard, Short .....                                   | 1   |
| 10   | 47576652002 | Sleeve, Bushing, Panhard, Long .....                                    | 1   |

**7**  
**G**  
**E**

**7**

**G**

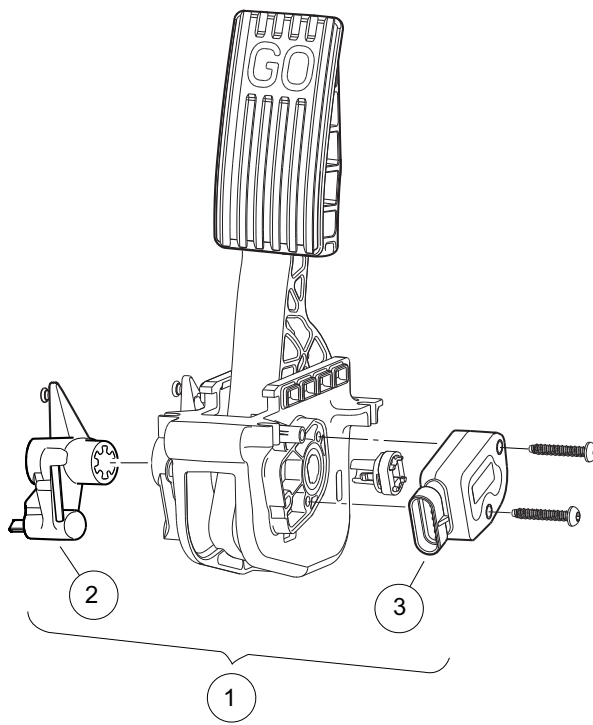
**E**

# ELECTRICAL SYSTEM – ECH440

---

8

G



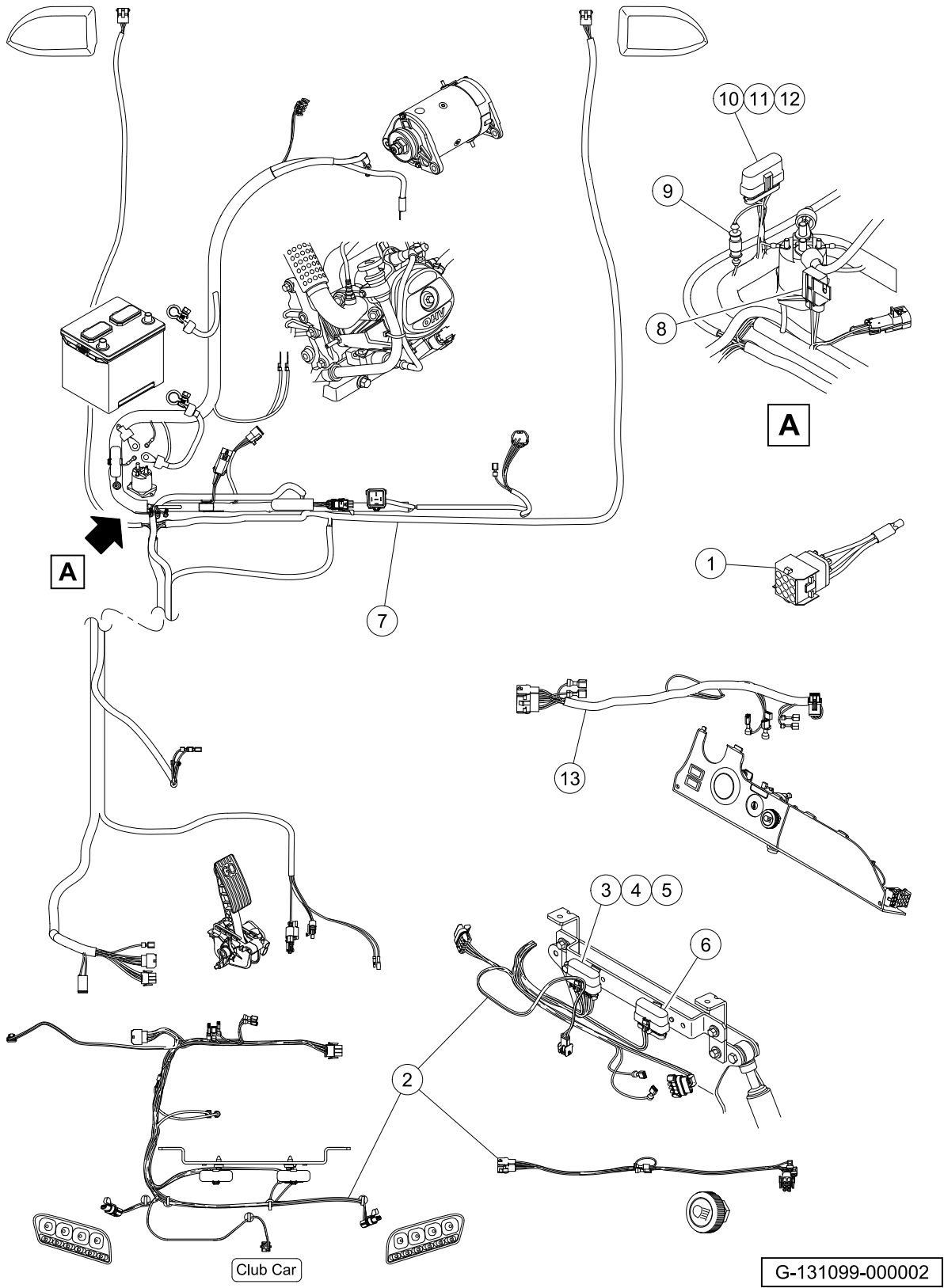
000487-012

## ACCELERATOR PEDAL ASSEMBLY W/SENSOR – EFI

| ITEM   | PART NO.  | DESCRIPTION  | QTY |
|--|-----------|--|-----|
|  |           | 1 2 3 4  |     |
| 1  | 102595502 | Asm, Accel. Pedal/Throttle, Anodized, Gas Vehicle (includes items 2 and 3) ..... | 1   |
| 2  | 103777601 | Asm, Park Brake Release, Anodized .....  | 1   |
| 3  | N/A       | Throttle Sensor .....  | 1   |
| <p>Note: For a complete Pedal Group, see section 5, Brakes and Pedal Group Assemblies.</p> |           |  |     |

8

G

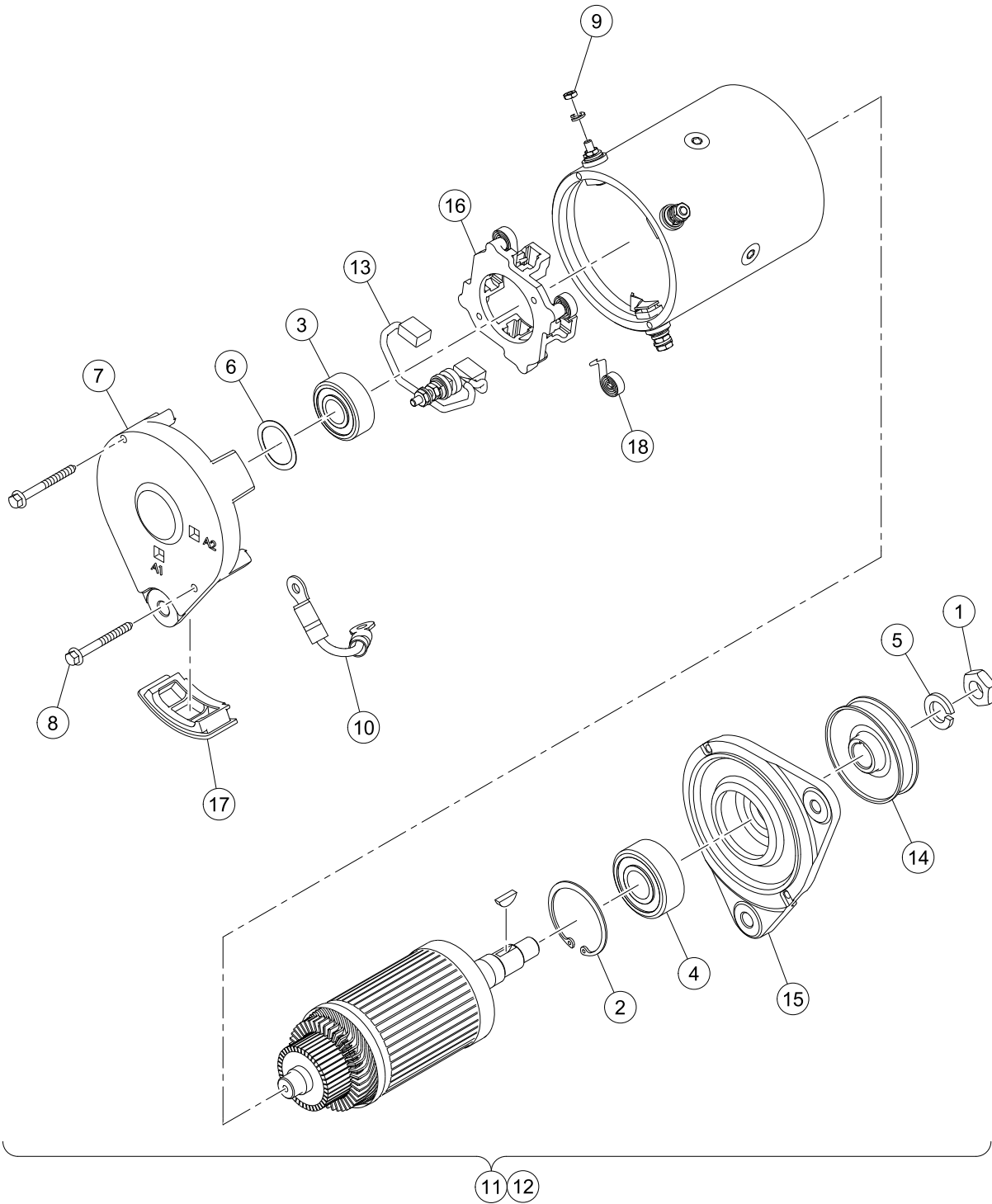




## WIRING HARNESSES AND FUSES

| ITEM | PART NO.    | DESCRIPTION  | QTY |
|------|-------------|--|-----|
|      |             | 1 2 3 4  |     |
| 1    | 105130201   | Jumper, Horn, Asm .....  | A/R |
| 2    | 47562747002 | Harness, Ip Lt, Jrny-csmr, Gas (includes items 3 through 6) .....                      | 1   |
| 3    | 105114802   | Fuse, Mini, Atm, 3 Amp .....   | 1   |
| 4    | 105114803   | Fuse, Mini, Atm, 4 Amp .....   | 1   |
| 5    | 105114805   | Fuse, Mini, Atm, 7.5 Amp .....   | 1   |
| 6    | 105114806   | Fuse, Mini, Atm, 10 Amp .....  | 1   |
| 7    | 47612535001 | Harness, Main, Gas, Prec, Ps (includes items 8 through 12) .....                       | 1   |
| 8    | 1012295     | Fuse, 10-Amp .....   | 1   |
| 9    | 103924801   | Fuse, Glass, 2-Amp .....   | 1   |
| 10   | 105081501   | Fuse, ATM, 5-Amp .....   | 1   |
| 11   | 105081601   | Fuse, ATM, 10-Amp .....  | 1   |
| 12   | 105114808   | Fuse, Mini, Atm, 20 Amp .....  | 1   |
| 13   | 47612537001 | Harness, Ip, Gas, Prec, Com .....  | 1   |
|      |             | Note: Reference the engine ignition section for information on the ECU wiring harness. |     |

**8**  
**G**

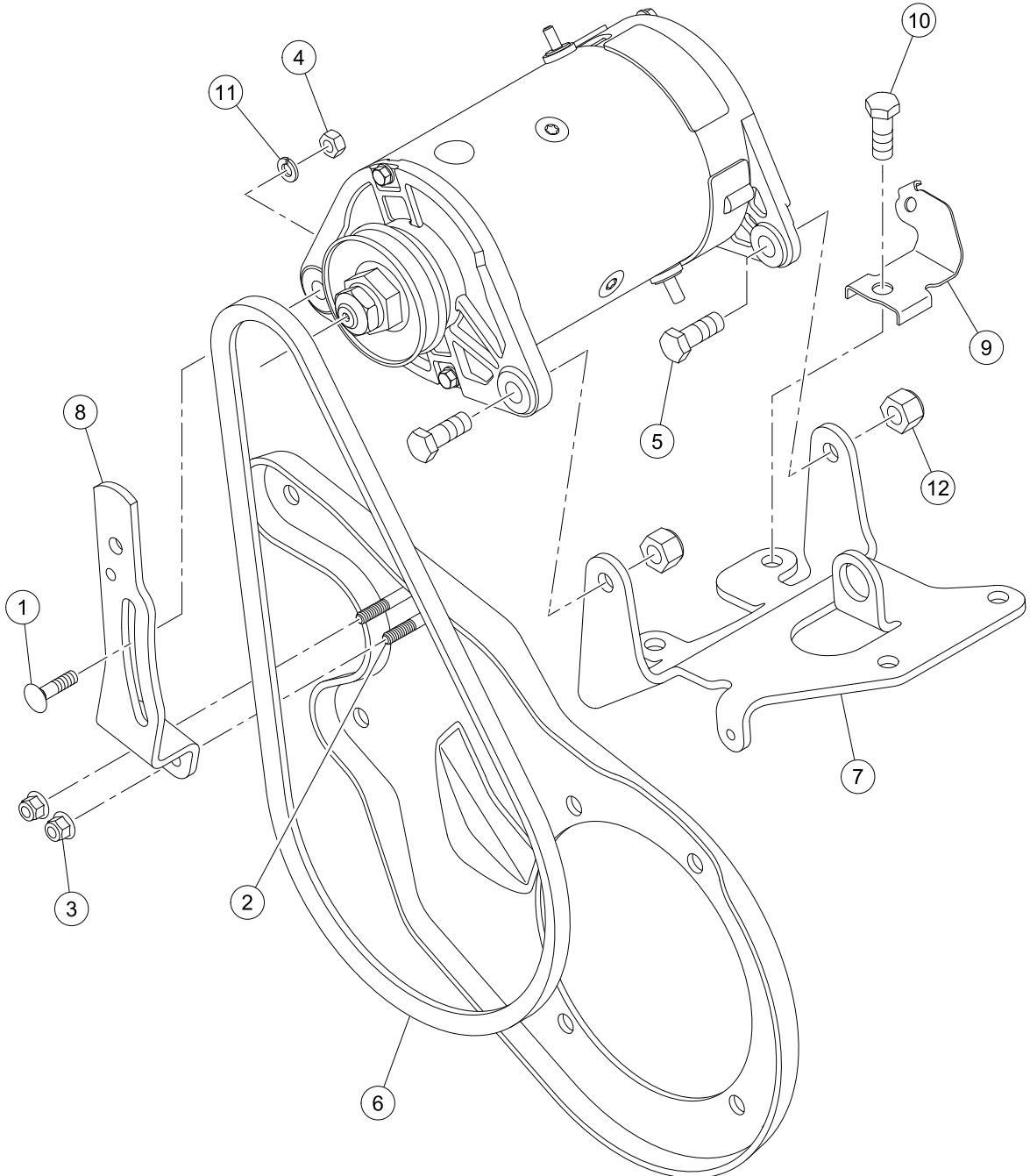


G-130199-000001

# STARTER/GENERATOR, KEY AND PEDAL START – EFI

| ITEM | PART NO.    | DESCRIPTION                                | QTY |
|------|-------------|--|-----|
|      |             | <b>1 2 3 4</b>                             |     |
| 1    | 102838701   | Nut, Hex, M14x2, S/G .....                 | 1   |
| 2    | 102838801   | Retainer, Front, S/G .....                 | 1   |
| 3    | 102838901   | Bearing, Ball, Rear, S-g .....             | 1   |
| 4    | 102839001   | Bearing, Ball, Front, S-g .....            | 1   |
| 5    | 102839301   | Washer, Lock M14x2, S-g .....              | 1   |
| 6    | 102841101   | Washer, Wave, S-g .....                    | 1   |
| 7    | 103347601   | Head, Comm End, S-g .....                  | 1   |
| 8    | 103347701   | Set, Fast, Ceh Deh, S-g .....              | 1   |
| 9    | 103347801   | Set, Term Hardware, S/G .....              | 1   |
| 10   | 105161701   | Wire, 4-Ga, Green, Starter/Generator ..... | 1   |
| 11   | 47559475001 | Starter Generator, Ps .....                | 1   |
| 12   | 47559475002 | Starter Generator, Ks .....                | 1   |
| 13   | 47583000001 | Set, Brush Term, S-g .....                 | 1   |
| 14   | 47583790001 | Pulley, Starter-generator .....            | 1   |
| 15   | 47583791001 | Head, Drive End, S-g .....                 | 1   |
| 16   | 47583794001 | Kit, Brush And Brush Holder .....          | 1   |
| 17   | 47584178001 | Kit, Cover, Brush Insp, S-g .....          | 1   |
| 18   | 47584179001 | Kit, Spring Brush, S-g .....               | 1   |

**8**  
**G**



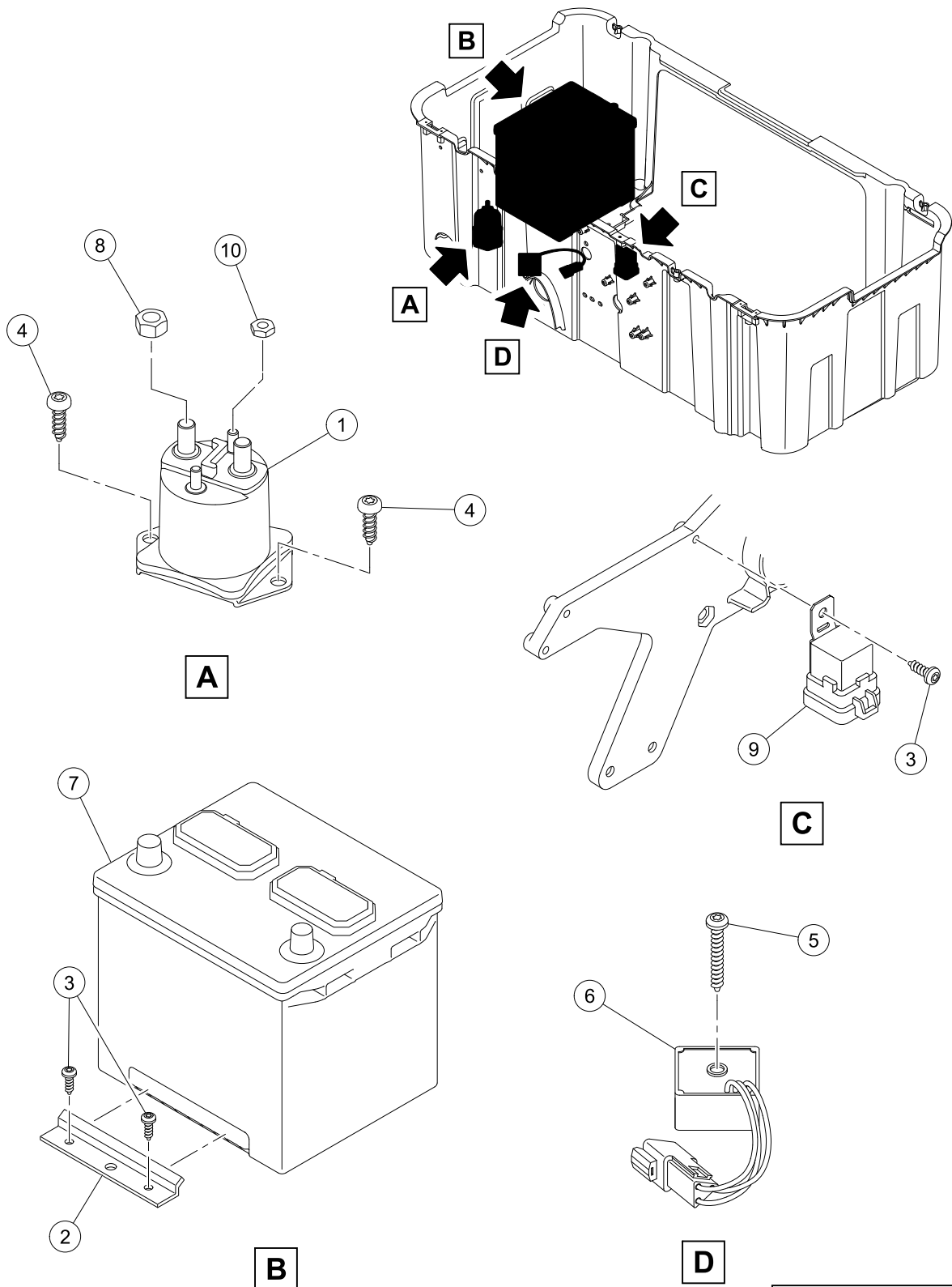
G-130199-00002

## STARTER/GENERATOR MOUNTING – ECH440

| ITEM | PART NO.    | DESCRIPTION                              | QTY |
|------|-------------|--|-----|
|      |             | 1 2 3 4                                  |     |
| 1    | 1015932     | Bolt, Carriage, 5/16-18 .....            | 1   |
| 2    | 102541401   | Bolt-m6x1.0x20 Hex Flhd Blk-I .....      | 2   |
| 3    | 102621501   | Nut, Flange, M6 X 1.0, Nylon .....       | 2   |
| 4    | 1242        | Nut, 5/16-18 Hex .....                   | 1   |
| 5    | 1624        | Screw, 3/8-16 X 1.50, Hex-Head Cap ..... | 2   |
| 6    | 47539338002 | Belt, Sg, Ech440, #5a .....              | 1   |
| 7    | 47611868001 | Bracket, Mounting, S/g .....             | 1   |
| 8    | 47611869001 | Bracket, Tensioner, S/g .....            | 1   |
| 9    | 47611870001 | Bracket, Mtg, Gov Cable Clip .....       | 1   |
| 10   | 47617345001 | Screw, M8-1.25x20, Hex Hd Flg .....      | 4   |
| 11   | 7174        | Lockwasher, 5/16 Split .....             | 1   |
| 12   | 8754        | Locknut, 3/8-16 Hex .....                | 2   |

8

G



G-130799-000002

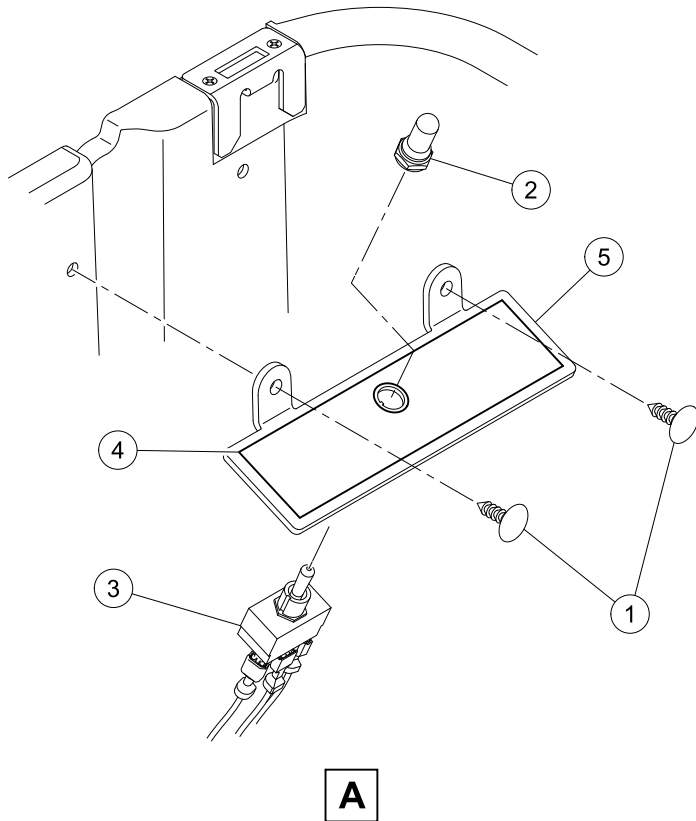
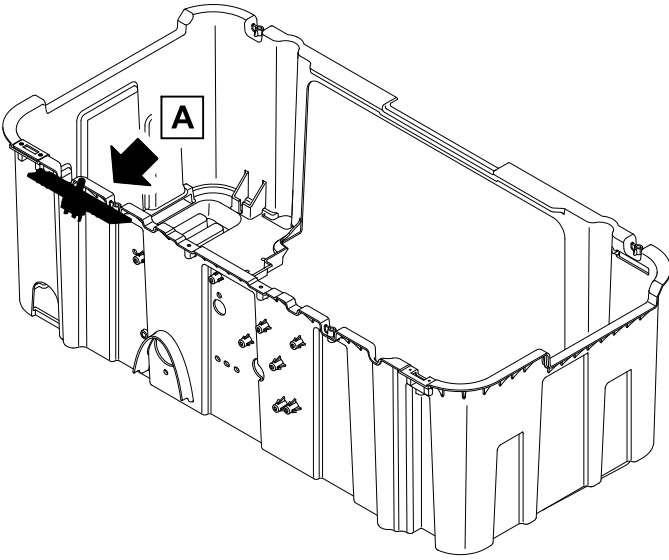
# BATTERY, SOLENOID, VOLTAGE REGULATOR, RELAY – EFI

| ITEM | PART NO.    | DESCRIPTION                          | QTY |
|------|-------------|--------------------------------------|-----|
|      |             | 1 2 3 4                              |     |
| 1    | 1013609     | Solenoid, 12-Volt .....              | 1   |
| 2    | 101898001   | Clamp, Battery .....                 | 1   |
| 3    | N/A         | Screw-torx Pan Hd Pt,m6 X 16 .....   | 1   |
| 4    | 102296020   | Screw, Torx Pan Hd Pt, M6 X 20 ..... | 4   |
| 5    | 102296040   | Screw, Torx Pan Hd Pt, M6 X 40 ..... | 1   |
| 6    | 102803301   | Asm, Voltage Regulator .....         | 1   |
| 7    | 105237399   | Battery, Start, 12v, G 26, Sp .....  | 1   |
| 8    | 1242        | Nut, 5/16-18 Hex .....               | 2   |
| 9    | 47623281001 | Relay, Mini 630 Spdt,40a/30a .....   | 1   |
| 10   | 7893        | Nut, #10-32 Hex .....                | 2   |

8

G

8  
G



G-130499-000004



# MAINTENANCE/OPERATE SWITCH

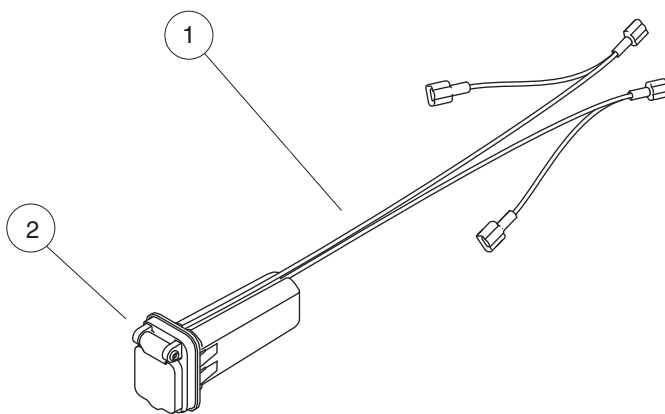
| ITEM | PART NO.    | DESCRIPTION                               | QTY |
|------|-------------|---|-----|
|      |             | 1 2 3 4                                   |     |
| 1    | 1010434     | Barrel - Plastic .....                    | 2   |
| 2    | 101908401   | Boot, Switch .....                        | 1   |
| 3    | 103198401   | Switch, Toggle, SPDT .....                | 1   |
| 4    | 103205501   | Decal, Maintenance/Operate Switch .....   | 1   |
| 5    | 47645493001 | Bracket, Run and Maintenance Switch ..... | 1   |

**8**

**G**

8

G



001286-002

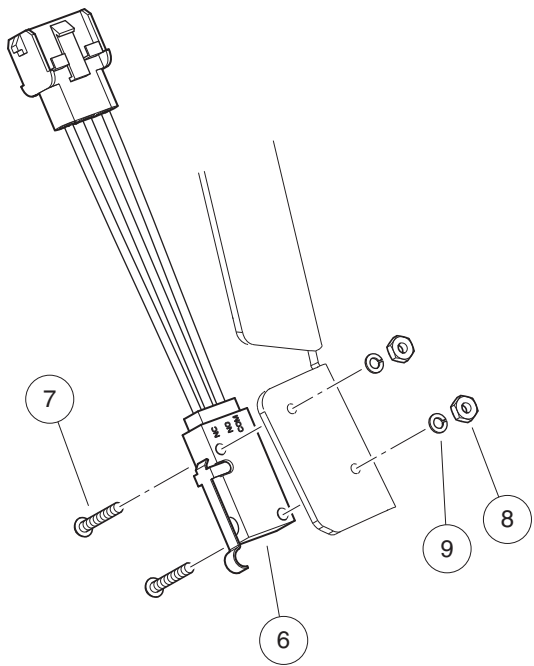
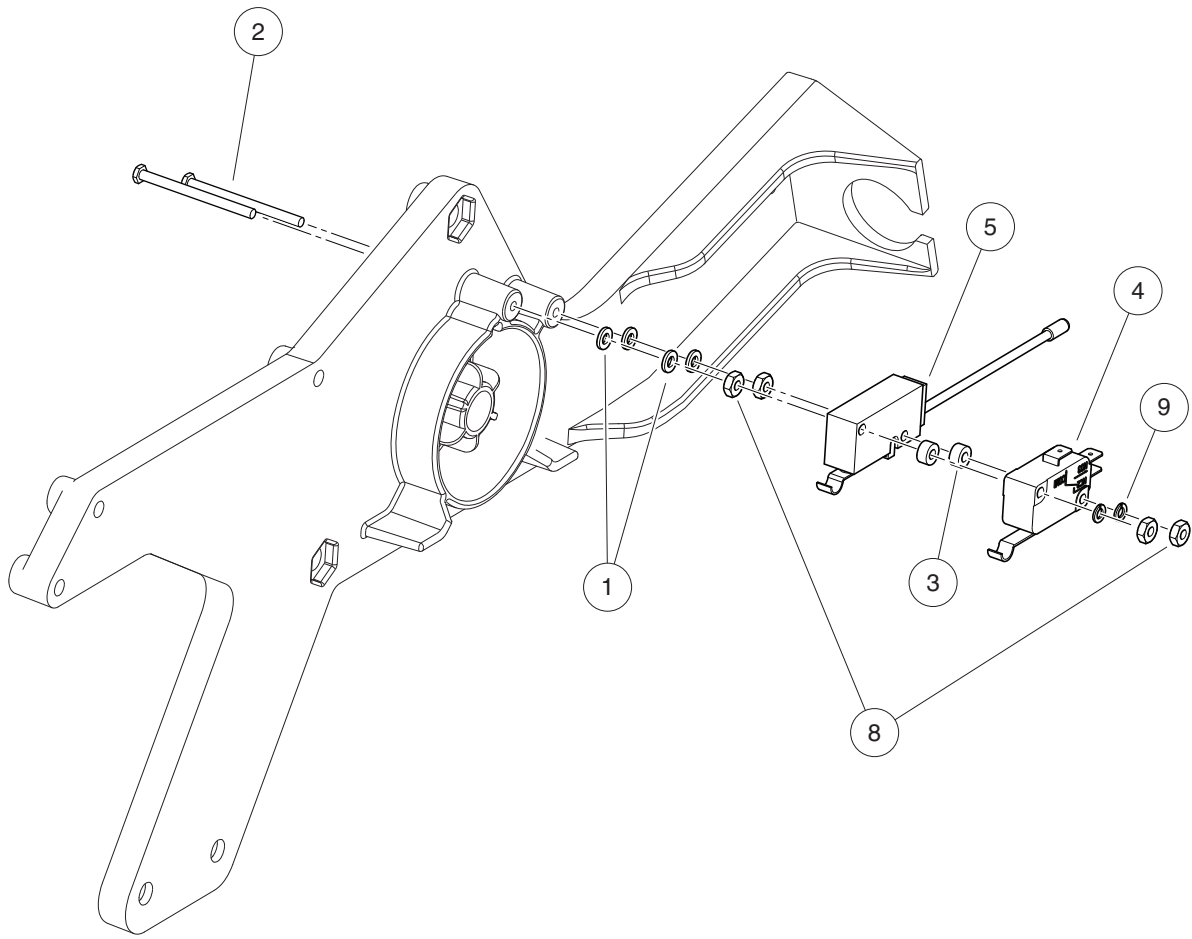
# USB PORT KIT FOR GAS VEHICLES

| ITEM | PART NO.    | DESCRIPTION                                      | QTY |
|------|-------------|--|-----|
| 1    | 47604229001 | 1 2 3 4<br>Kit, Usb, Gas (includes item 2) ..... | 1   |
| 2    | 47587715001 | Usb, 12v .....                                   | 1   |

8

G

**8**  
**G**



001013-001

## FORWARD/REVERSE SHIFTER SWITCHES – EFI

| ITEM   | PART NO.  | DESCRIPTION                                   | QTY |
|--|-----------|---|-----|
|  |           | 1 2 3 4                                       |     |
| 1  | 1012431   | Washer, #4 Flat .....                         | 4   |
| 2  | 1012594   | Screw, #4-40 Machine .....                    | 2   |
| 3  | 1014727   | Washer, Flat, #4, Nylon .....                 | 2   |
| 4  | 1014807   | Switch, Limit .....                           | 1   |
| 5  | 101979101 | Switch, Limit, Assembly, Sealed .....         | 1   |
| 6  | 105102601 | Switch, Limit, Sealed, with 3-Wire Lead ..... | 1   |
| 7  | 8056      | Screw, #4-40 X 0.75 Round-Head Machine .....  | 2   |
| 8  | 8057      | Nut, #4-40 Hex Machine .....                  | 6   |
| 9  | 8058      | Lockwasher, #4 Split .....                    | 4   |
| <p style="text-align: center;">Note: Item 5 is located on the shifter. Item 6 is located on the transaxle.</p> |           |   |     |

8

G

8

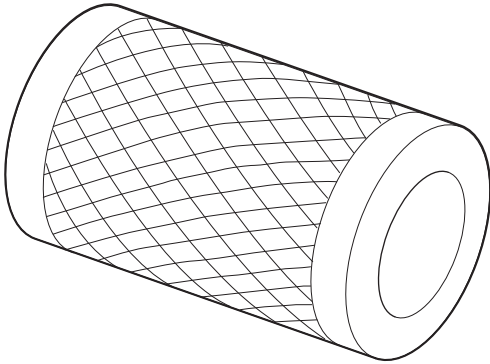
G

# ENGINE (KOHLER ECH440)

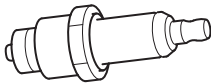
---

9

G



1



2

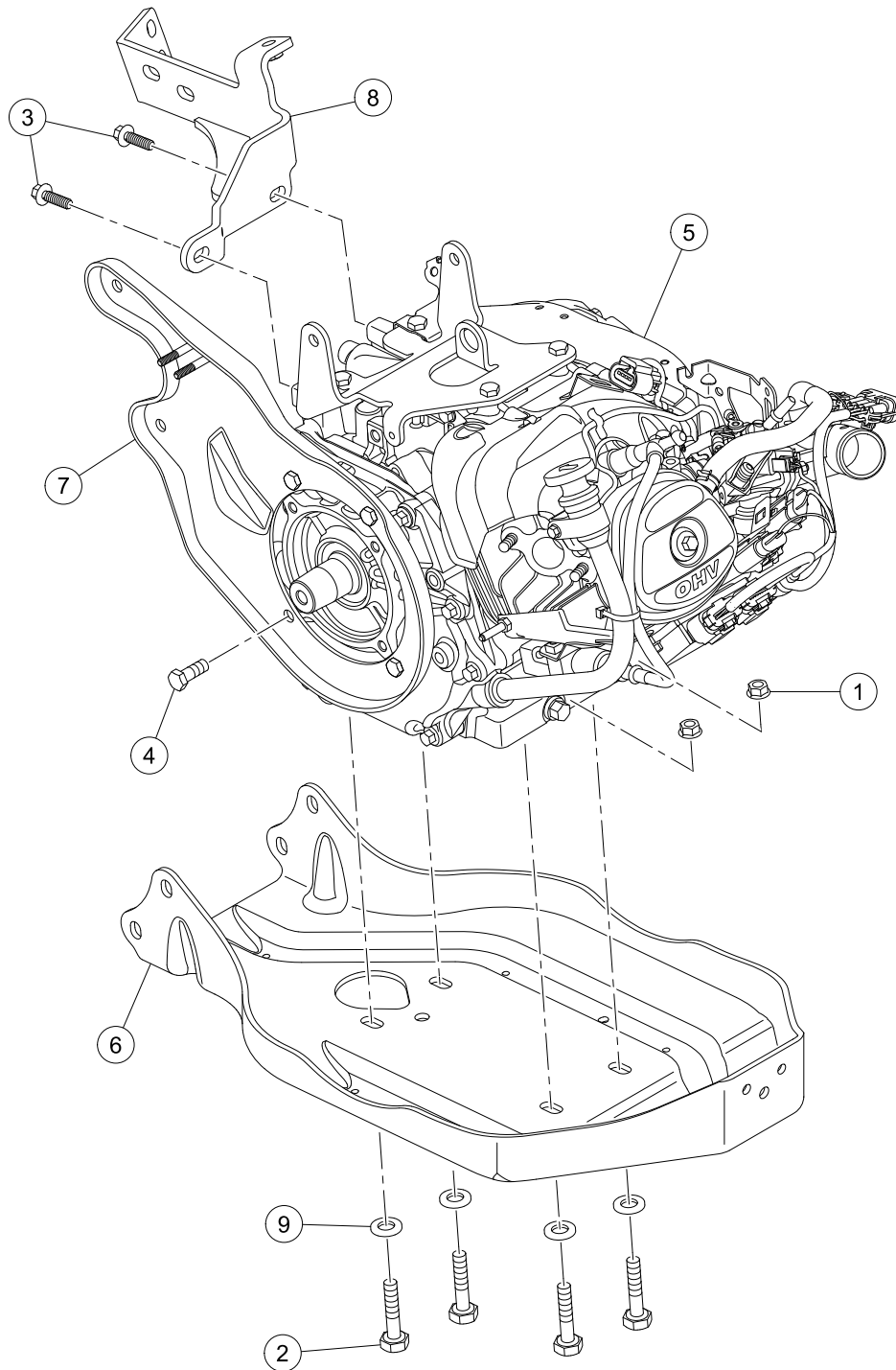
000992-003



# TUNE-UP PARTS

| ITEM | PART NO.    | DESCRIPTION                         | QTY |
|------|-------------|-------------------------------------|-----|
| 1    | 102558201   | 1 2 3 4<br>Air Filter, 4 Inch ..... | 1   |
| 2    | 47640281001 | Plug, Spark, Kohler .....           | 1   |

**9**  
**G**



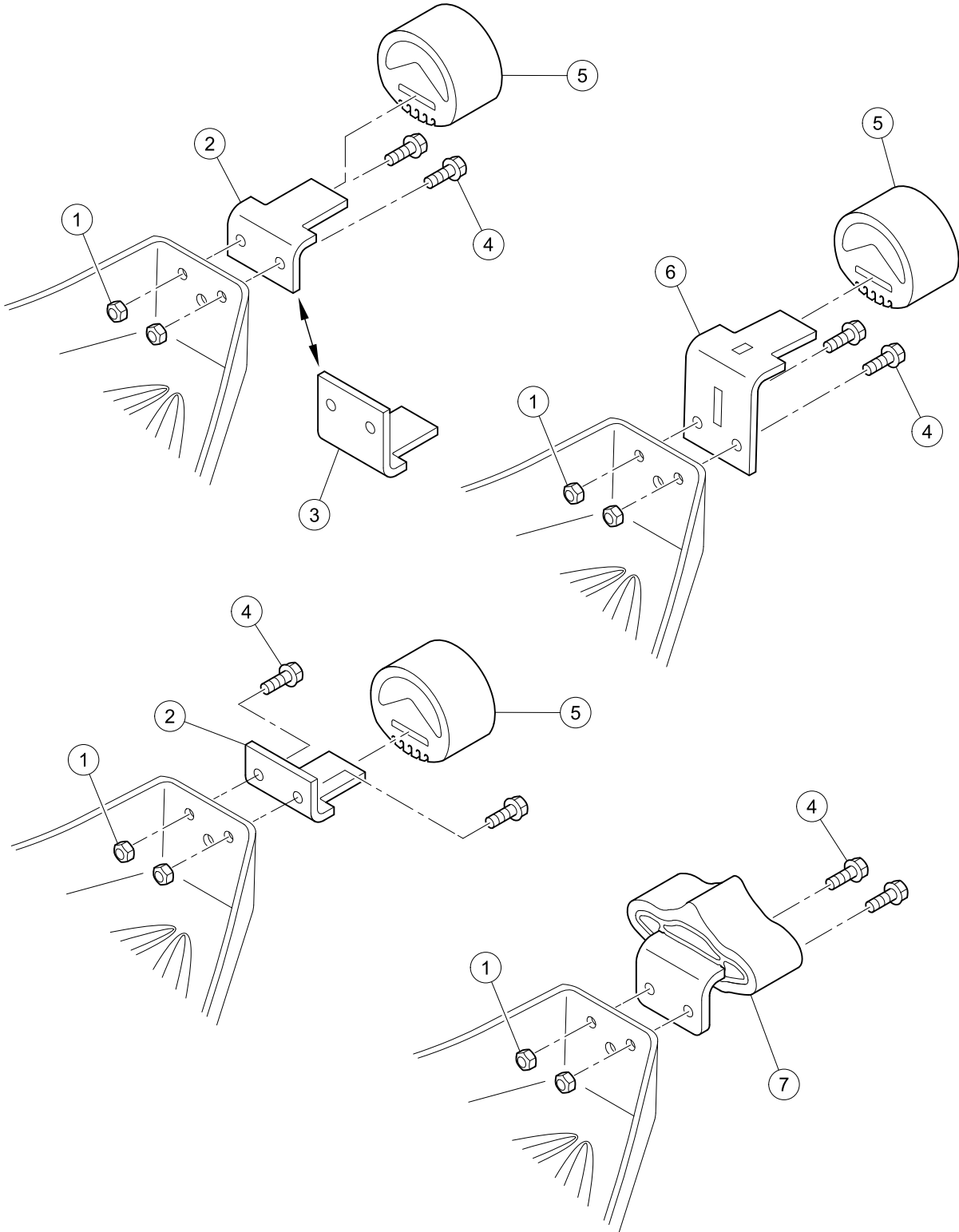
G-110199-00002

# ENGINE AND ENGINE MOUNTING

| ITEM | PART NO.    | DESCRIPTION  | QTY |
|------|-------------|--|-----|
|      |             | 1 2 3 4  |     |
| 1    | 102617201   | Nut, Flanged, M10 X 1.5, Mechanically Deformed ..... | 4   |
| 2    | 102732401   | Bolt, M10 X 45, Zn-Ni (Black) .....                  | 4   |
| 3    | 103262201   | Bolt Flg Blk, M8 X 25, Loctite .....                 | 2   |
| 4    | 103508101   | Bolt, 3/8-16 X .75 Lock Patch .....                  | 4   |
| 5    | 47598099001 | Engine, Gas, Ech440 .....                            | 1   |
| 6    | 47611483001 | Plate, Mtg, Engine/axle, Pan .....                   | 1   |
| 7    | 47611484001 | Plate, Mtg, Engine/axle, Cvt .....                   | 1   |
| 8    | 47611648001 | Weldment, Mtg, Exhaust .....                         | 1   |
| 9    | 96741046    | Washer, M10, Hard .....                              | 4   |

**9**

**G**



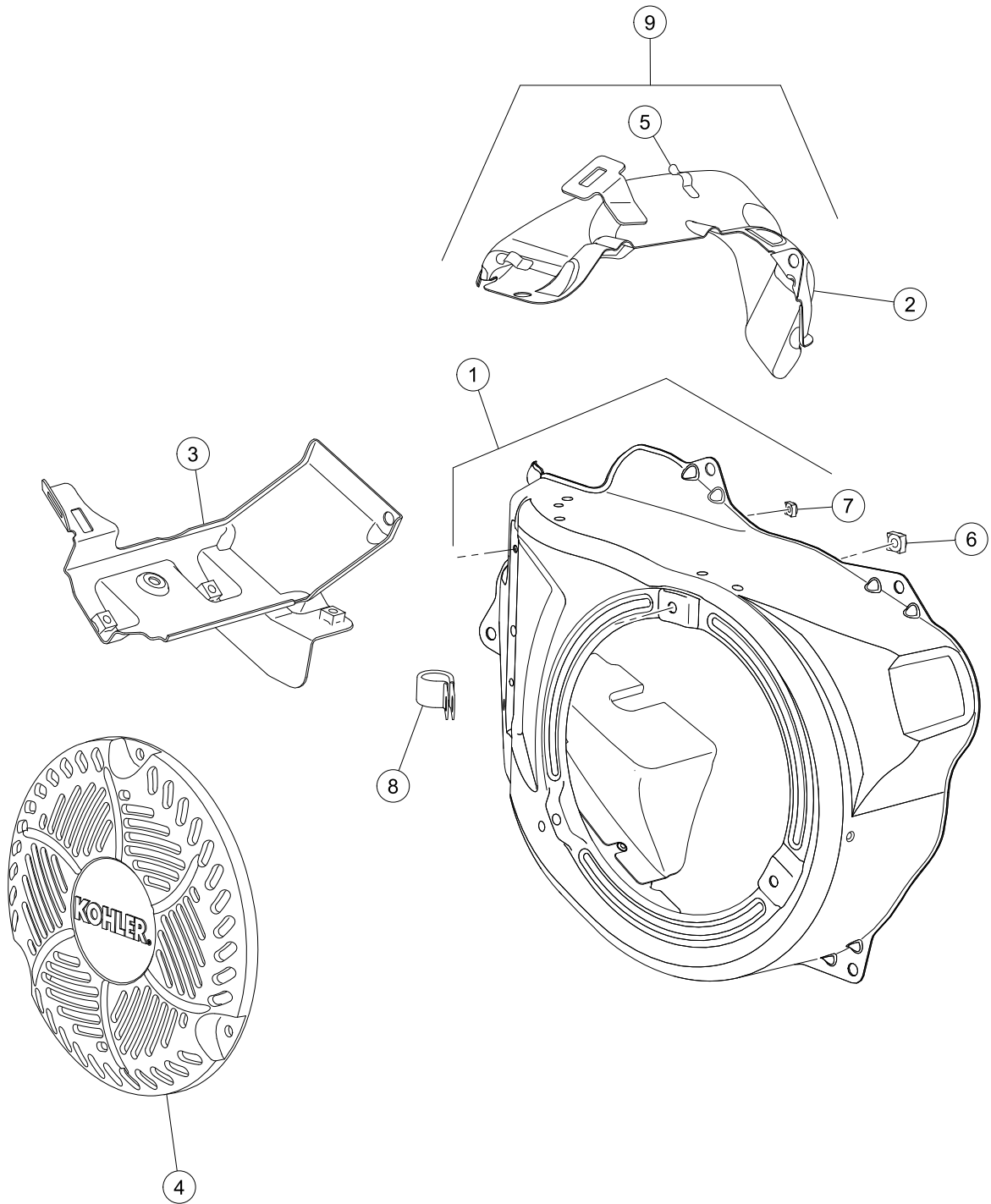
G-010299-000001

# ENGINE PAN AND SNUBBER MOUNTING

| ITEM   | PART NO.    | DESCRIPTION                                      | QTY |
|--|-------------|--|-----|
|  |             | 1 2 3 4  |     |
| 1  | 1013924     | Nut, 5/16-24, Hex Head Cone .....                | 2   |
| 2  | 101834601   | Bracket, Snubber .....                           | 1   |
| 3  | 101834602   | Bracket, Snubber, Tall .....                     | 1   |
| 4  | 101884801   | Screw, 5/16-24 X 0.875, Grade-8 .....            | 2   |
| 5  | 102540301   | Snubber, Inner Frame .....                       | 1   |
| 6  | 47564890001 | Bracket, Snubber, Csmr, Lifted .....             | 1   |
| 7  | 47587701001 | Asm, Dual Snubber (includes items 8 and 9) ..... | 1   |
| 8  | 47583795001 | Bracket, Dual Snubber .....                      | 1   |
| 9  | 47584184001 | Snubber, Dual .....                              | 1   |
| <p style="margin-left: 40px;">Note: Items 8 and 9 are not illustrated.</p> |             |  |     |

9

G



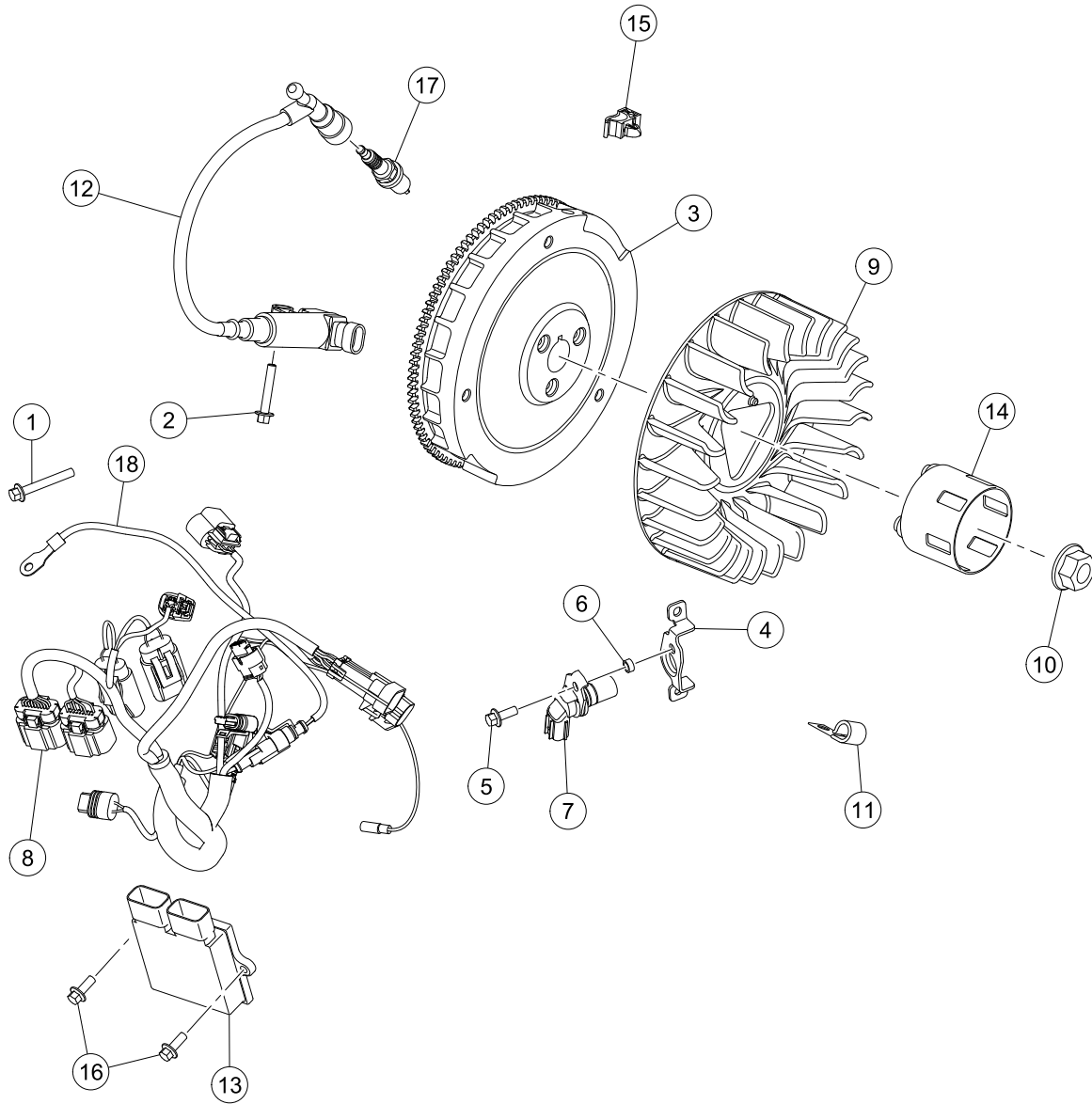
G-040899-000001

# BLOWER HOUSING AND HEAT SHIELD – ECH440

| ITEM | PART NO.    | DESCRIPTION                          | QTY |
|------|-------------|--------------------------------------|-----|
|      |             | 1 2 3 4                              |     |
| 1    | 47629844001 | Kit, Blower Housing, Kohler .....    | 1   |
| 2    | 47629845001 | Shield, Upper Heater, Kohler .....   | 1   |
| 3    | 47629846001 | Shield Assembly, Cylinder, Koh ..... | 1   |
| 4    | 47629847001 | Screen, Blower Housing, Kohler ..... | 1   |
| 5    | 47629848001 | Clip, Wire, Kohler .....             | 2   |
| 6    | 47629851001 | Nut, Blower Housing (cky), Koh ..... | 1   |
| 7    | 47629853001 | Nut, Blower Housing (cky), Koh ..... | 1   |
| 8    | 47629855001 | Clamp, Insulator, Kohler .....       | 1   |
| 9    | 47629856001 | Assembly, Heat Shield, Kohler .....  | 1   |

9

G



G-040799-000001

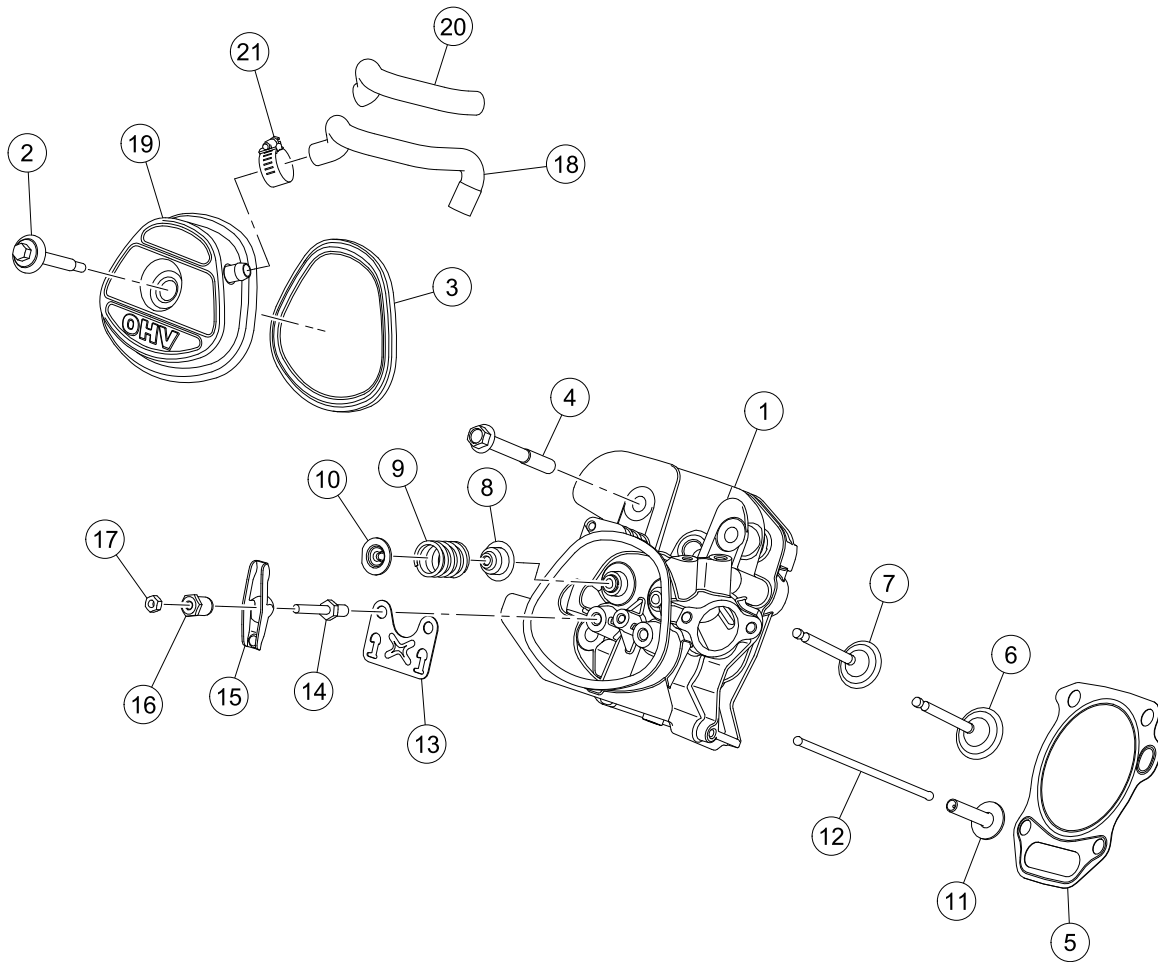


# IGNITION COMPONENTS AND FLYWHEEL – ECH440

| ITEM | PART NO.    | DESCRIPTION                          | QTY |
|------|-------------|--------------------------------------|-----|
|      |             | 1 2 3 4                              |     |
| 1    | 47629702001 | Screw, Hex Flange (m6), Kohler ..... | 3   |
| 2    | 47629702001 | Screw, Hex Flange (m6), Kohler ..... | 1   |
| 3    | 47629826001 | Flywheel Assy, Electric Start .....  | 1   |
| 4    | 47629828001 | Bracket, Crank Sensor, Kohler .....  | 1   |
| 5    | 47629831001 | Screw, Hex Flange, Kohler .....      | 1   |
| 6    | 47629832001 | Spacer, Kohler .....                 | 1   |
| 7    | 47629833001 | Sensor, Speed, Kohler .....          | 1   |
| 8    | 47629834001 | Harness, Wiring Assy, Kohler .....   | 1   |
| 9    | 47629835001 | Fan, Flywheel, Kohler .....          | 1   |
| 10   | 47629836001 | Nut, Flywheel, Kohler .....          | 1   |
| 11   | 47629837001 | Clip, Cable, Kohler .....            | 1   |
| 12   | 47629838001 | Coil, Ignition-efi, Kohler .....     | 1   |
| 13   | 47629839001 | Module, Ecu, Kohler .....            | 1   |
| 14   | 47629841001 | Cup, Starter Drive, Kohler .....     | 1   |
| 15   | 47629843001 | Clip, Wiring Harness, Kohler .....   | 1   |
| 16   | 47640021001 | Screw, M6x16, Kohler .....           | 2   |
| 17   | 47640281001 | Plug, Spark, Kohler .....            | 1   |
| 18   | 47650647001 | Sensor, Temperature .....            | 1   |

**9**

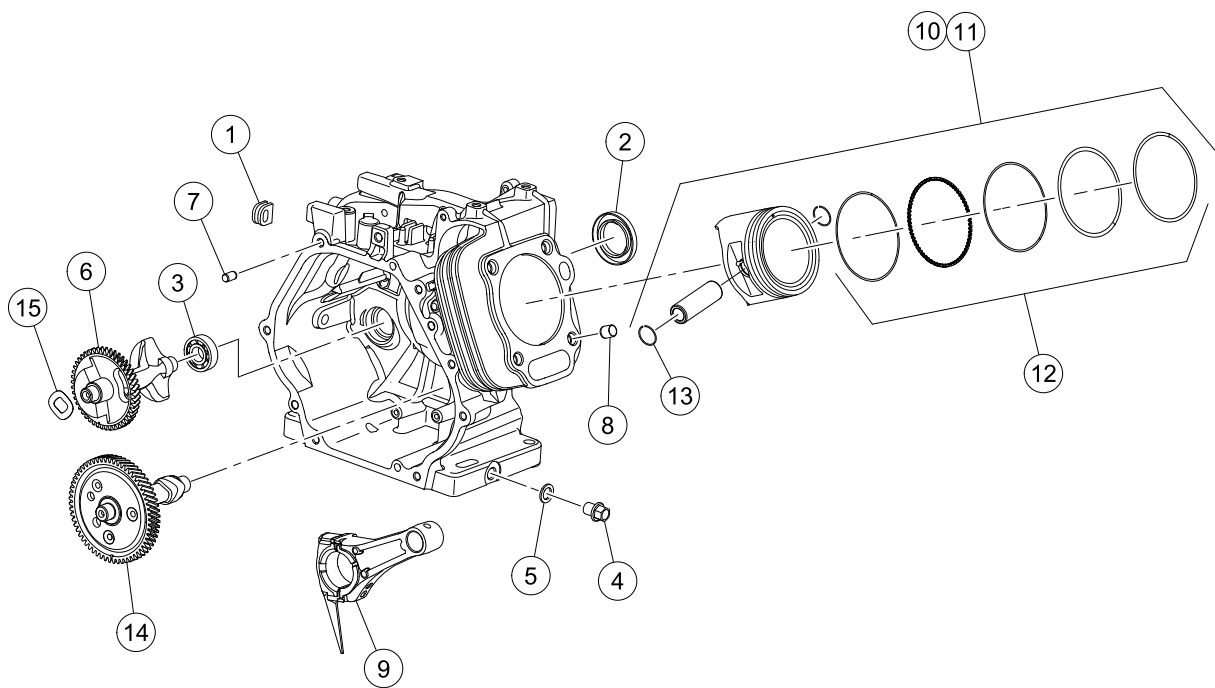
**G**



G-040599-000001

## CYLINDER HEAD AND VALVE – ECH440

| ITEM | PART NO.    | DESCRIPTION                          | QTY | 9 |
|------|-------------|--------------------------------------|-----|---|
|      |             | 1 2 3 4                              |     | G |
| 1    | 47629711001 | Assembly, Cylinder Head, Kohle ..... | 1   |   |
| 2    | 47629714001 | Screw, Valve Cover Seal Assy, .....  | 1   |   |
| 3    | 47629716001 | Gasket, Valve Cover, Kohler .....    | 1   |   |
| 4    | 47629717001 | Screw, Hex Flange Cylinder Hea ..... | 4   |   |
| 5    | 47629718001 | Kit, Head Gasket, Kohler .....       | 1   |   |
| 6    | 47629719001 | Valve, Intake, Kohler .....          | 1   |   |
| 7    | 47629720001 | Valve, Exhaust, Kohler .....         | 1   |   |
| 8    | 47629722001 | Seal, Valve Stem, Kohler .....       | 2   |   |
| 9    | 47629723001 | Spring, Valve, Kohler .....          | 2   |   |
| 10   | 47629724001 | Retainer, Valve Spring, Kohler ..... | 2   |   |
| 11   | 47629725001 | Lifter, Valve, Kohler .....          | 2   |   |
| 12   | 47629726001 | Rod, Push, Kohler .....              | 2   |   |
| 13   | 47629727001 | Plate, Pushrod Guide, Kohler .....   | 1   |   |
| 14   | 47629728001 | Stud, Rocker, Kohler .....           | 2   |   |
| 15   | 47629729001 | Arm, Rocker, Kohler .....            | 2   |   |
| 16   | 47629730001 | Pivot, Rocker Arm, Kohler .....      | 2   |   |
| 17   | 47629768001 | Nut, Hex Jam, Kohler .....           | 2   |   |
| 18   | 47629822001 | Hose, Breather, Kohler .....         | 1   |   |
| 19   | 47629823001 | Valve Cover Assembly, Kohler .....   | 1   |   |
| 20   | 47629824001 | Sleeve, Anti Abrasion, Kohler .....  | 1   |   |
| 21   | 47629825001 | Clamp, Hose, Kohler .....            | 1   |   |



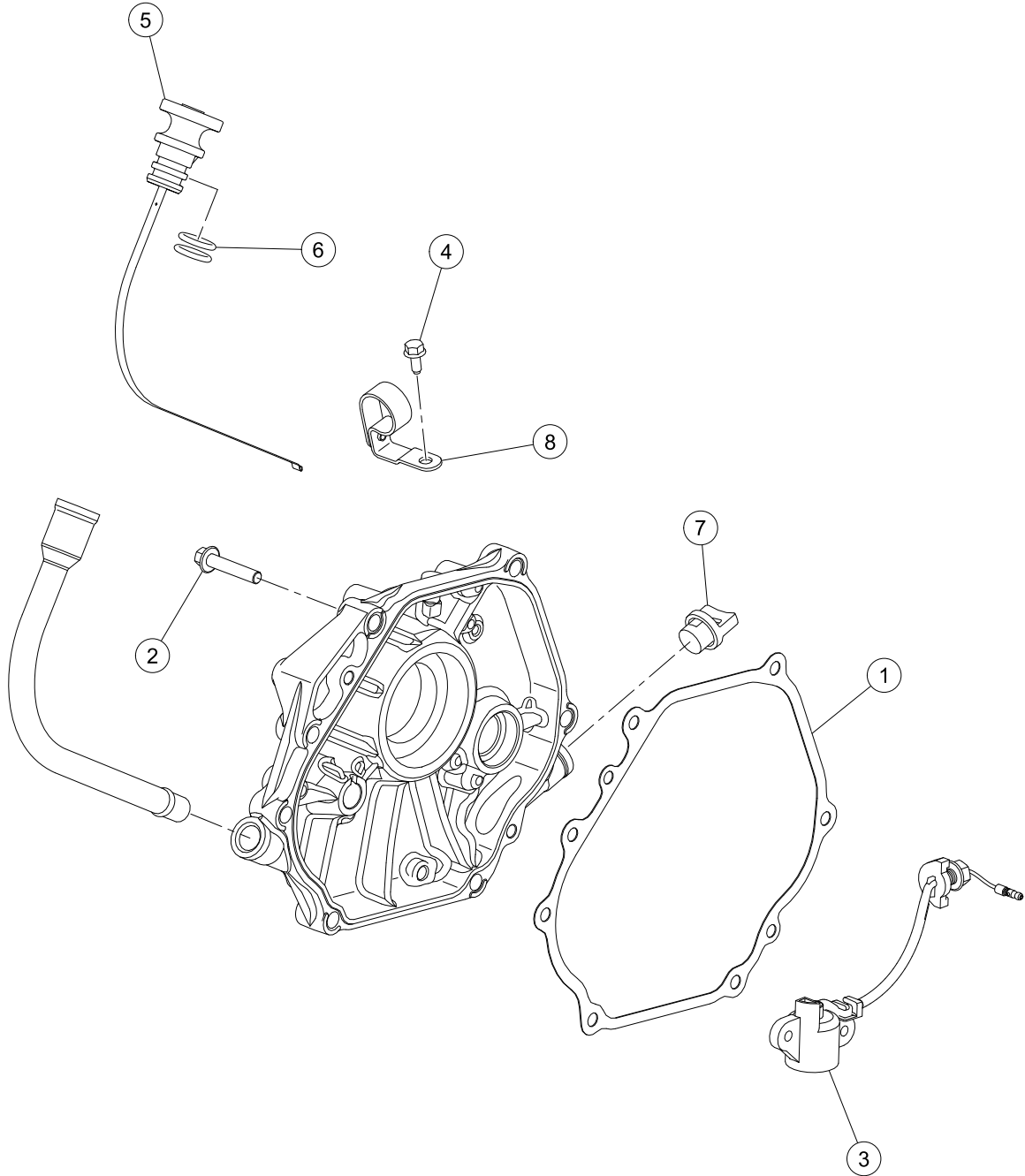
G-040399-000001

# CRANKCASE AND PISTON – ECH440

| ITEM | PART NO.    | DESCRIPTION                          | QTY |
|------|-------------|--------------------------------------|-----|
|      |             | <b>1 2 3 4</b>                       |     |
| 1    | 47629677001 | Grommet, Crankcase,kohler .....      | 1   |
| 2    | 47629680001 | Seal, Crankcase, Kohler .....        | 2   |
| 3    | 47629682001 | Bearing, Balancing Shaft, Kohl ..... | 2   |
| 4    | 47629685001 | Kit, Drain Plug, Kohler .....        | 2   |
| 5    | 47629686001 | Washer, Drain Plug, Kohler .....     | 2   |
| 6    | 47629687001 | Shaft, Balance, Kohler .....         | 1   |
| 7    | 47629688001 | Pin, Dowel, Kohler .....             | 2   |
| 8    | 47629689001 | Pin, Dowel Cylinder Head, Kohl ..... | 2   |
| 9    | 47629690001 | Rod, Connecting Assembly,kohle ..... | 1   |
| 10   | 47629691001 | Kit, Piston Wing Set (std), Ko ..... | 1   |
| 11   | 47629693001 | Kit, Piston (0.25 O.s.), Kohle ..... | 1   |
| 12   | 47629694001 | Ring Set, Kohler .....               | 2   |
| 13   | 47629696001 | Retainer, Piston, Kohler .....       | 2   |
| 14   | 47629697001 | Camshaft Assembly, Kohler .....      | 1   |
| 15   | 47629698001 | Spring, Wave, Kohler .....           | 1   |

9

G

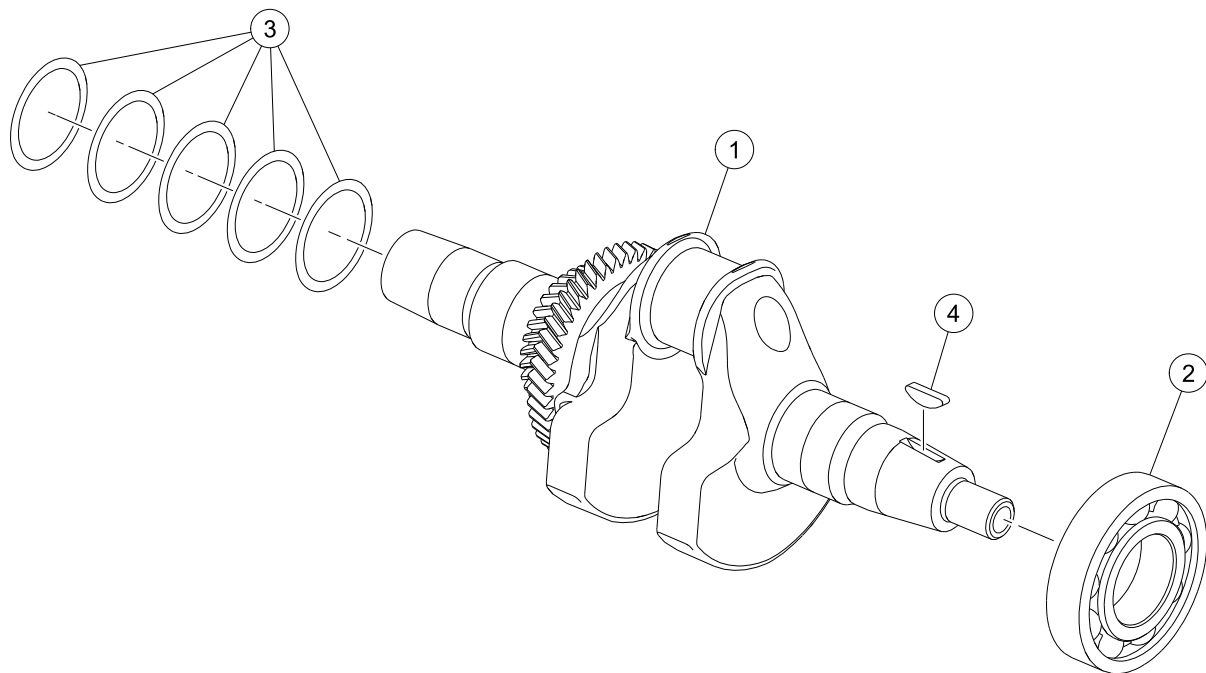


G-040699-000001

## OIL SENSOR AND LUBRICATION – ECH440

| ITEM | PART NO.    | DESCRIPTION                          | QTY |
|------|-------------|--------------------------------------|-----|
|      |             | <b>1 2 3 4</b>                       |     |
| 1    | 47629699001 | Gasket, Closure Plate, Kohler .....  | 1   |
| 2    | 47629700001 | Screw, Closure Plate, Kohler .....   | 7   |
| 3    | 47629701001 | Switch, Oil Sensor Assembly, K ..... | 1   |
| 4    | 47629702001 | Screw, Hex Flange (m6), Kohler ..... | 18  |
| 5    | 47629703001 | Dipstick, Assembly, Kohler .....     | 1   |
| 6    | 47629705001 | O-ring, Dipstick Cap, Kohler .....   | 2   |
| 7    | 47629707001 | Cap Assy, Oil Fill, Kohler .....     | 1   |
| 8    | 47629709001 | Bracket, Dipstick Tub, Kohler .....  | 1   |

**9**  
**G**



G-040299-000001



# CRANKSHAFT – ECH440

| ITEM | PART NO.    | DESCRIPTION                       | QTY |
|------|-------------|-----------------------------------|-----|
|      |             | <b>1 2 3 4</b>                    |     |
| 1    | 47629583001 | Crankshaft Assembly, Kohler ..... | 1   |
| 2    | 47629585001 | Bearing, Crankshaft, Kohler ..... | 2   |
| 3    | 47629588001 | Kit, Shims, Kohler .....          | 5   |
| 4    | 47629589001 | Key, Flywheel, Kohler .....       | 1   |

**9**  
**G**

9

G

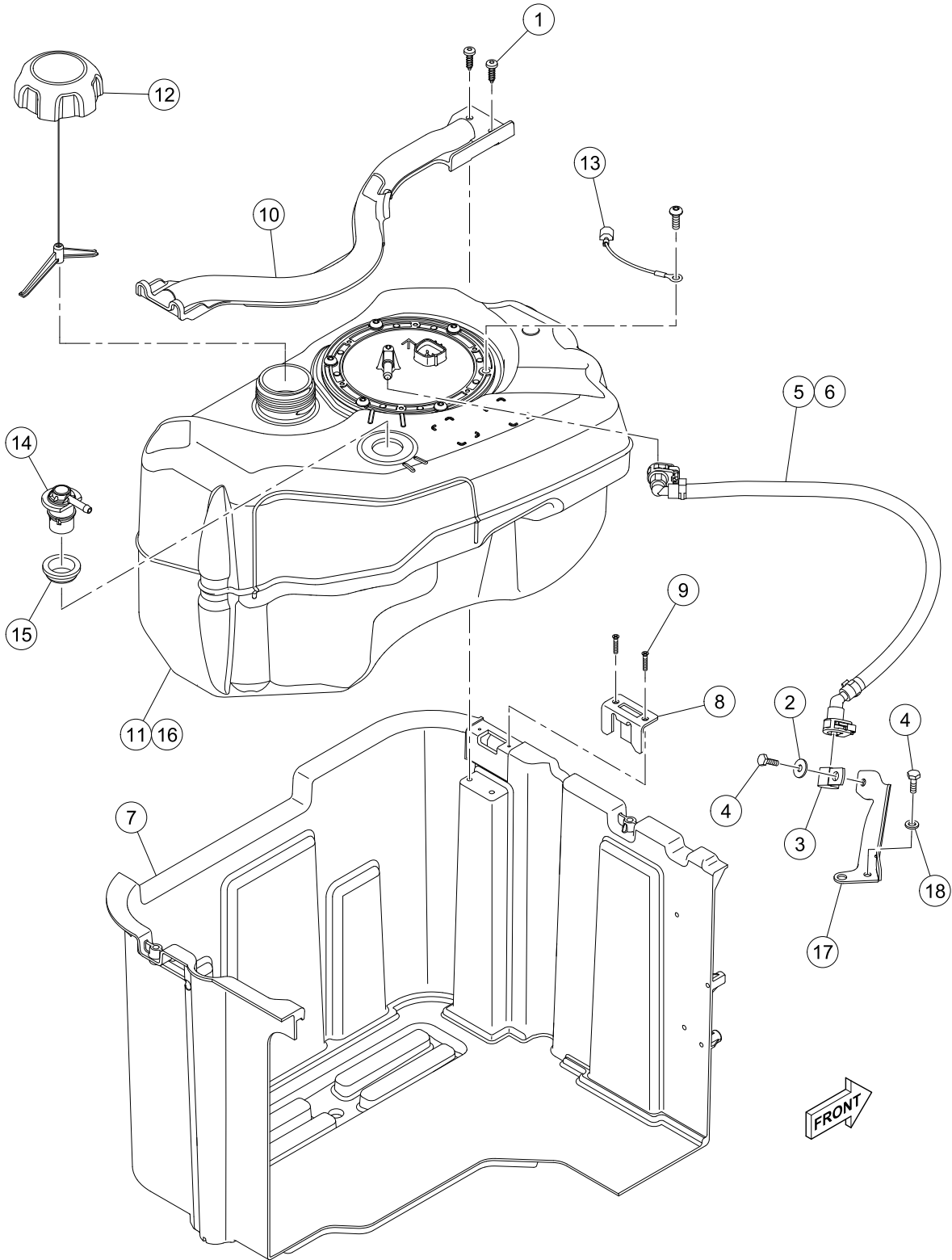
# FUEL SYSTEM – EFI

---

10

G

**10**  
**G**

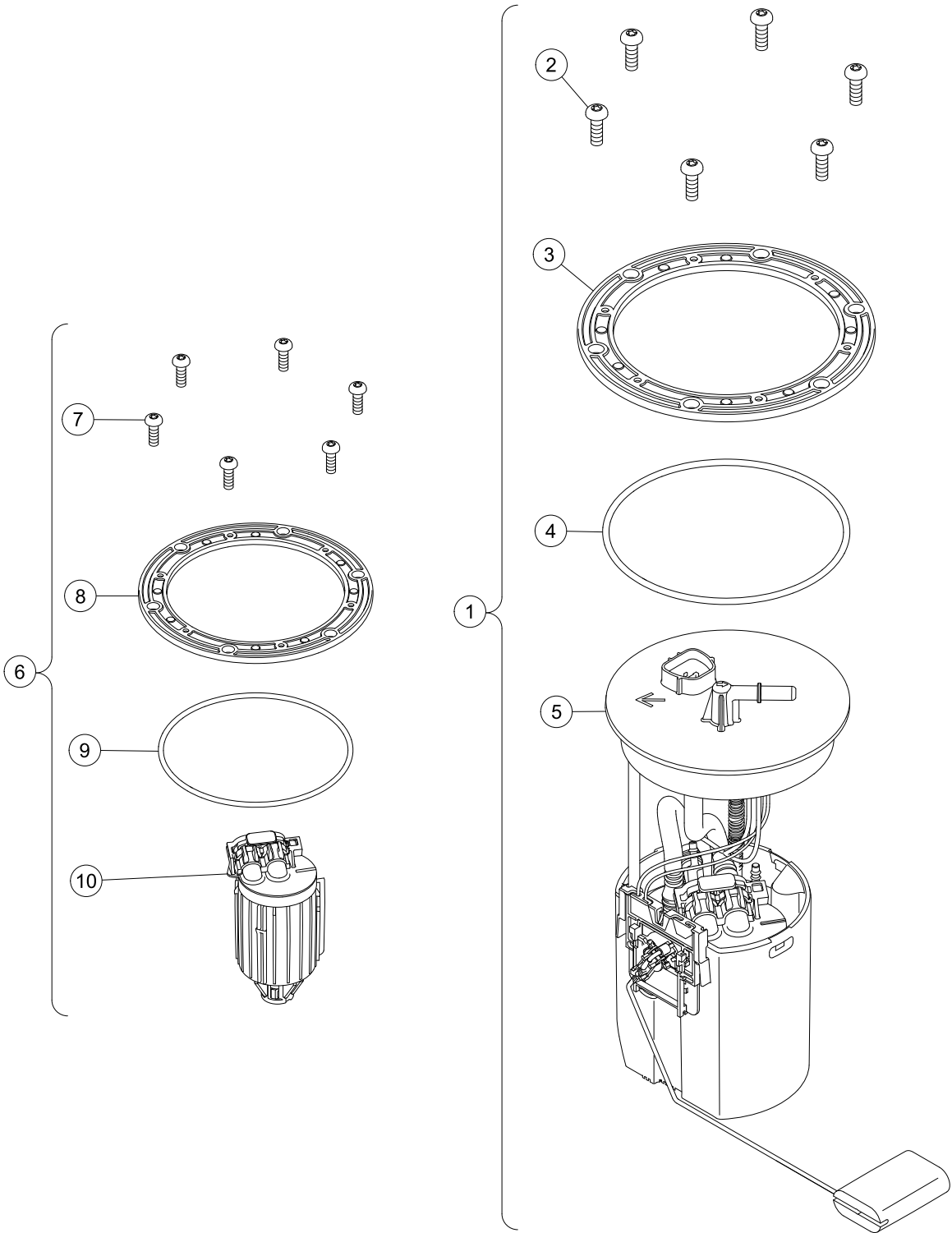


G-100499-000001

# FUEL TANKS

**10**  
**G**

| ITEM   | PART NO.    | DESCRIPTION   | QTY |
|--|-------------|---|-----|
|  |             | <b>1 2 3 4</b>  |     |
| 1  | 102296020   | Screw-torx Pan Head Pt, M6x20 .....   | 2   |
| 2  | 102296301   | Washer, M6x18x1.6 Flat .....  | 1   |
| 3  | 102410604   | P-clamp, Insulated, 0.625 Inch .....  | 1   |
| 4  | 102490301   | Bolt, M6 X 1 X 16, Loctite .....  | 1   |
| 5  | 47602210001 | Asm, Fuel Line, Glf, Csmr .....   | 1   |
| 6  | 47602210002 | Asm, Fuel Line, Csmr, Lift .....  | 1   |
| 7  | 47610134002 | Bucket, Gas Vehicle, Glf, Csmr (includes items 8 and 9) .....                 | 1   |
| 8  | 103470701   | Bracket, Bucket Hinge .....   | 2   |
| 9  | N/A         | Screw, #6 X .75, Cs Ss, Hi-lo .....   | 4   |
| 10   | 47610135001 | Retainer, Tank .....  | 1   |
| 11   | 47622750001 | Asm, Tank, Fuel, With Sending Unit 50psi (includes items 12 through 15) ..... | 1   |
| 12   | 103372101   | Cap, Fuel Tank, Gas, Ratchet .....  | 1   |
| 13   | 105143301   | Wire, Ground, Fuel Tank .....   | 1   |
| 14   | 47611876001 | Vent Rov, Fuel Tank, Precedent .....  | 1   |
| 15   | 47611877001 | Grommet, Fuel Tank, Vent .....  | 1   |
| 16   | 47622750002 | Asm, Fuel Tank, No Sending Unit,50psi .....                                   | 1   |
| 17   | 47643624002 | Bracket, Fuel Line .....  | 1   |
| 18   | 96705199    | Washer, M6 .....  | 1   |
| <p>Note: Items 12 through 15 apply to items 11 and 16.</p> |             |   |     |



G-100699-000001

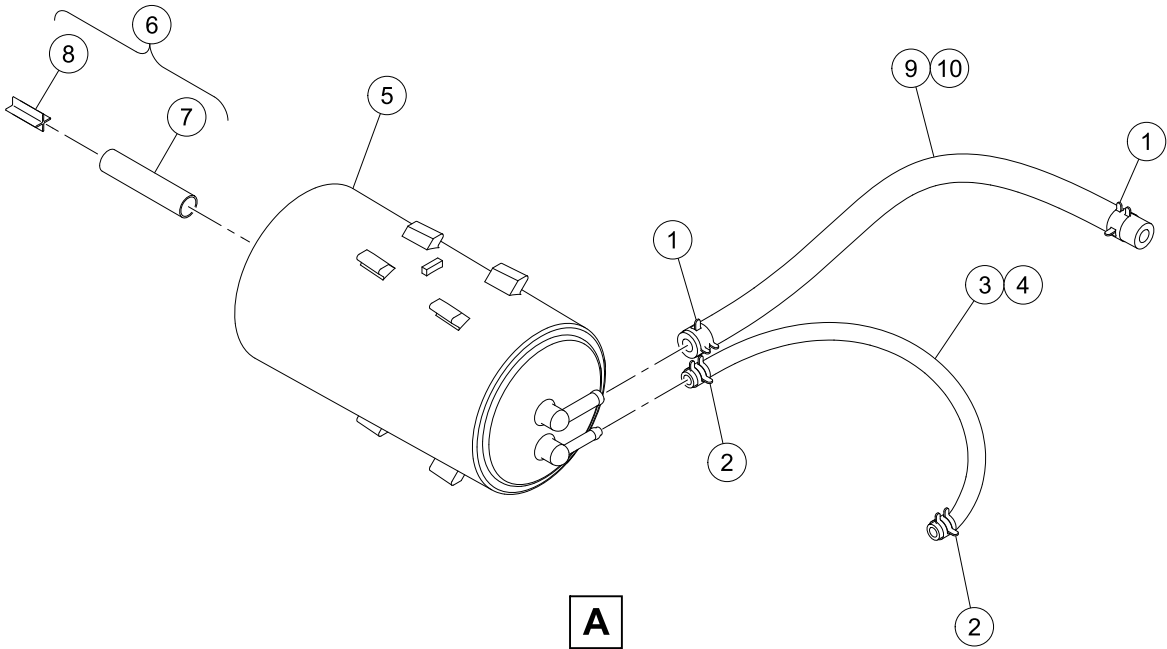
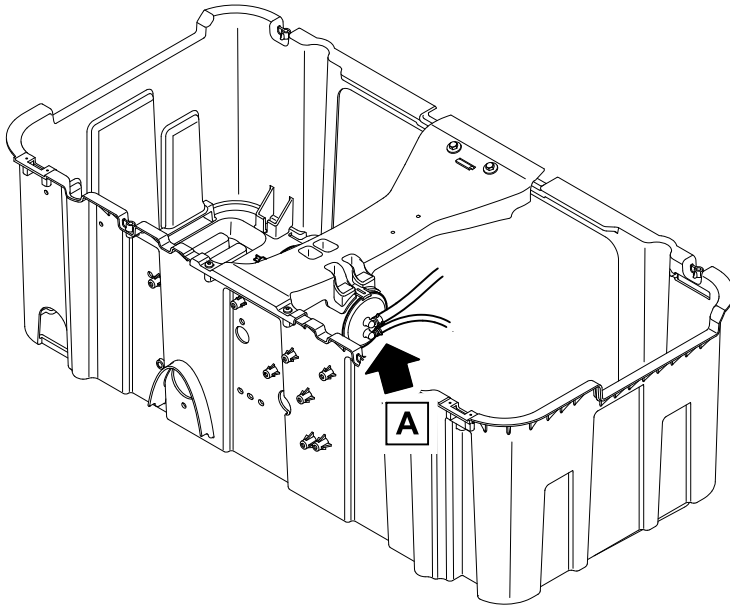
## FUEL PUMP AND FUEL FILTER KITS

| ITEM | PART NO.    | DESCRIPTION   | QTY |
|------|-------------|---|-----|
|      |             | <b>1 2 3 4</b>  |     |
| 1    | 47622330001 | Kit, Fuel Pump Module, 50 Psi (includes items 2 through 5) .....                      | 1   |
| 2    | 102025801   | Screw, 1/4-20 X .75 Torx Pn Hd .....  | 6   |
| 3    | 105043801   | Fuel Module, Hold Down Ring .....   | 1   |
| 4    | 105043901   | O-Ring, Fuel Module .....   | 1   |
| 5    | N/A         | Fuel Pump Module Su 50psi .....   | 1   |
| 6    | 47623339001 | Kit, Fuel Filter, 50 Psi (includes items 7 through 10) .....                          | 1   |
| 7    | 102025801   | Screw, 1/4-20 X .75 Torx Pn Hd .....  | 6   |
| 8    | 105043801   | Fuel Module, Hold Down Ring .....   | 1   |
| 9    | 105043901   | O-Ring, Fuel Module .....   | 1   |
| 10   | N/A         | Fuel Filter, 50psi .....  | 1   |
|      |             | Note: Fuel pump kits are supplied with a sending unit for all field replacement kits. |     |

10

G

**10**  
**G**



G-100399-00002



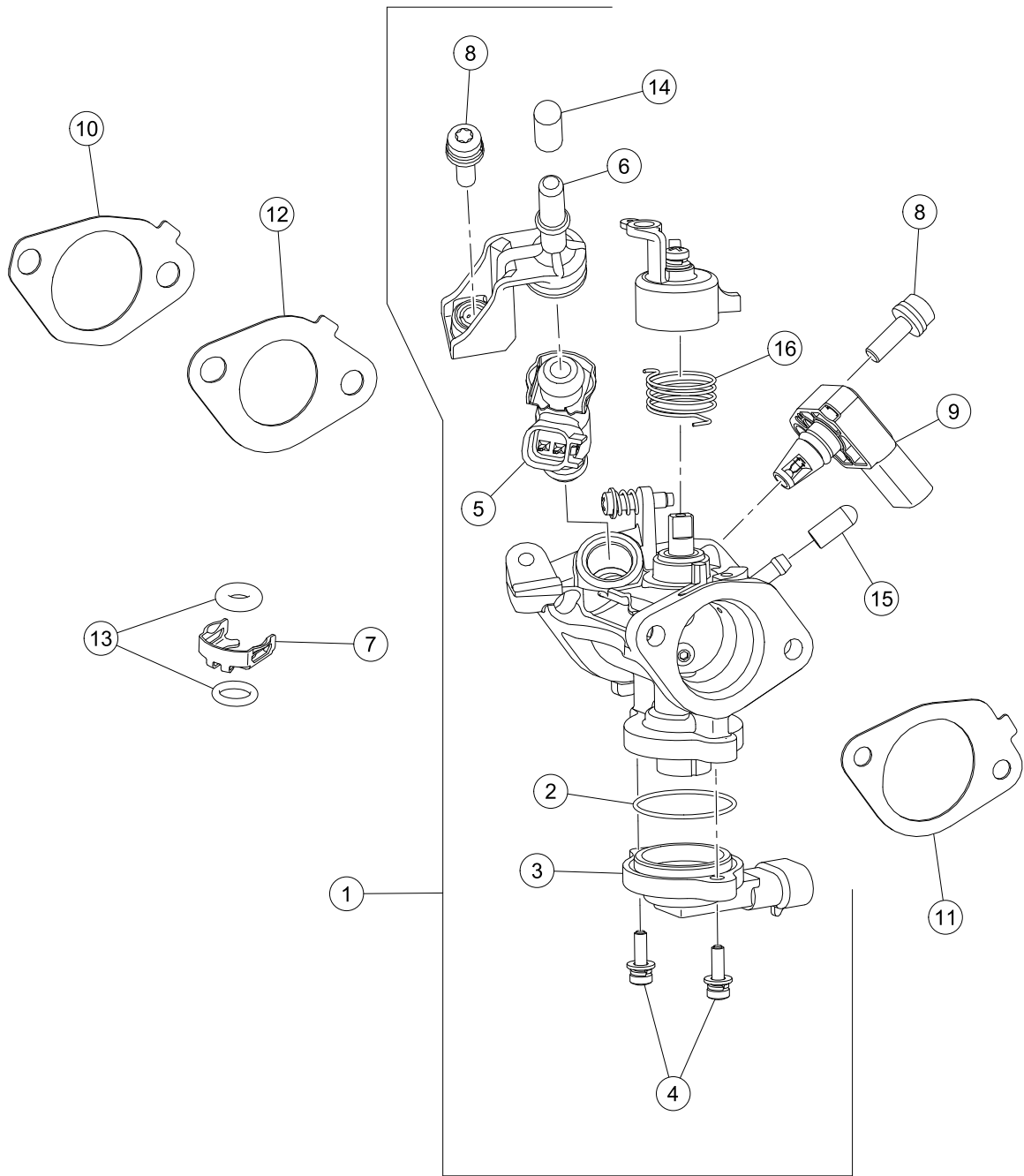
## CARBON CANISTER – EFI

| ITEM   | PART NO.    | DESCRIPTION  | QTY |
|--|-------------|--|-----|
|  |             | <b>1 2 3 4</b>   |     |
| 1  | 1012649     | Clamp, 0.460 Red Hose .....                                    | 2   |
| 2  | 1013746     | Clamp, 0.301 ID Hose .....                                     | 2   |
| 3  | 101587711   | Hose, Fuel, Vent, 11.5" Long .....                             | 1   |
| 4  | 101587712   | Hose, Fuel, Vent, 12.5" Long .....                             | 1   |
| 5  | 103372401   | Canister, Carbon .....   | 1   |
| 6  | 103756401   | Asm, Vent Line, Carbon Canister (includes items 7 and 8) ..... | 1   |
| 7  | N/A         | Hose, Vent, 5/16 I.D., Bulk .....                              | 1   |
| 8  | N/A         | Vent, Barb, 5/16 I.D. Hose .....                               | 1   |
| 9  | 103896607   | Hose, Vent, 1/4 Id, 11.5 In (includes item 10) .....           | 1   |
| 10   | 47560464001 | Hose, Fuel 1/4saej1737 Bulk .....                              | A/R |
| Note: Bulk hose material for items 3 (non-lifted only) and 4 (lifted only) can be ordered using part number 1015137. |             |  |     |

10

G

**10**  
**G**

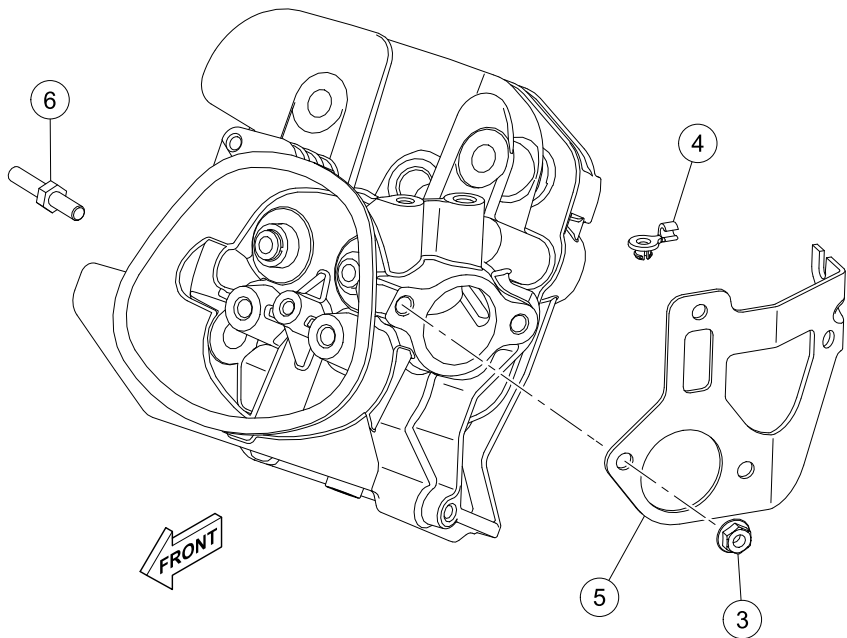
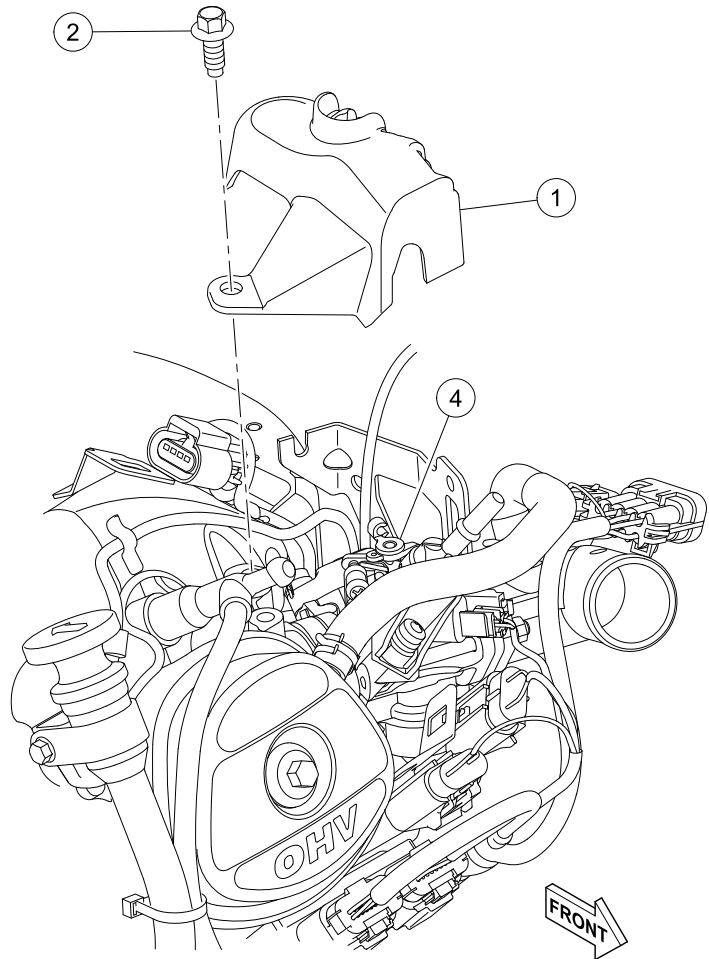


G-100199-000001

# THROTTLE BODY AND MOUNTING

| ITEM | PART NO.    | DESCRIPTION                           | QTY |
|------|-------------|---------------------------------------|-----|
|      |             | 1 2 3 4                               |     |
| 1    | 47629857001 | Throttle Body, Assembly, Kohler ..... | 1   |
| 2    | 47629858001 | O-ring, Kohler .....                  | 1   |
| 3    | 47629859001 | Kit, Tps, Kohler .....                | 1   |
| 4    | 47629860001 | Screw, Hexalobular, M4 X 0.7 X .....  | 2   |
| 5    | 47629861001 | Injector, Fuel, Kohler .....          | 1   |
| 6    | 47629862001 | Cap, Fuel Inector, Kohler .....       | 1   |
| 7    | 47629864001 | Clip, Retainer, Kohler .....          | 1   |
| 8    | 47629865001 | Screw, Hexalobular, M6 X 1 Sem .....  | 2   |
| 9    | 47629866001 | Sensor, T-map, Kohler .....           | 1   |
| 10   | 47629867001 | Kit, Gasket Intake, Kohler .....      | 1   |
| 11   | 47629868001 | Gasket, Throttle Body, Kohler .....   | 1   |
| 12   | 47629869001 | Gasket, Insulator To T-body, K .....  | 1   |
| 13   | 47629870001 | Kit, Fuel Injector O-ring, Koh .....  | 1   |
| 14   | 47629871001 | Cap, Masking, Kohler .....            | 1   |
| 15   | 47629872001 | Cap, Masking, Kohler .....            | 1   |
| 16   | 47629874001 | Spring, Return, Kohler .....          | 1   |

**10**  
**G**



G-040999-000002

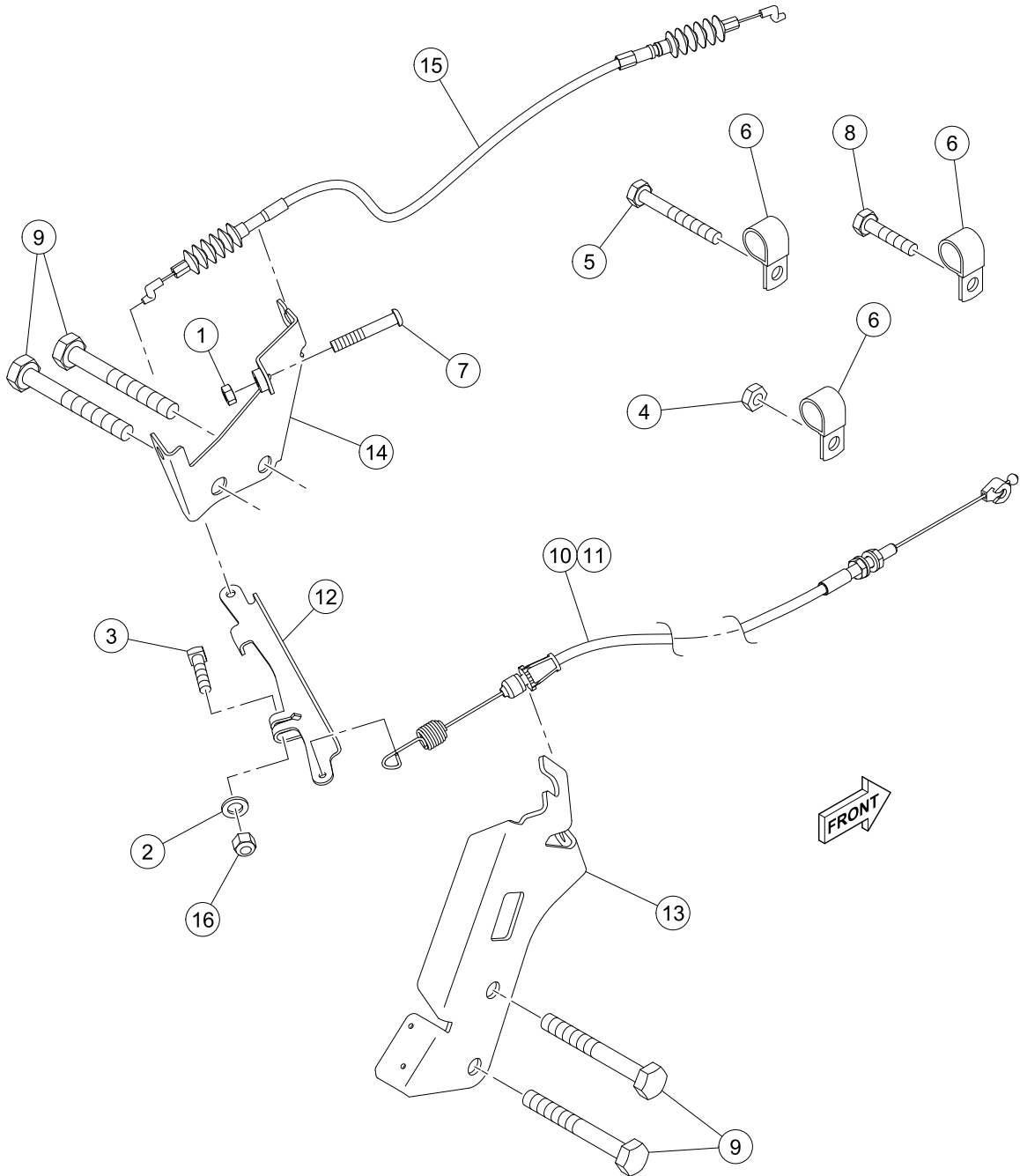
# GOVERNOR BRACKET AND COVER – EFI

| ITEM | PART NO.    | DESCRIPTION                          | QTY |
|------|-------------|--------------------------------------|-----|
|      |             | 1 2 3 4                              |     |
| 1    | 47612352001 | Cover, Governor, Ech 440 .....       | 1   |
| 2    | 47617158001 | M8-1.25 X 16 Lg, Pan Hd, Torx .....  | 2   |
| 3    | 47629875001 | Nut, Hex Flange Lock (m6), Koh ..... | 2   |
| 4    | 47629876001 | Bushing, Linkage Retainer, Koh ..... | 1   |
| 5    | 47629877001 | Bracket, Governor, Kohler .....      | 1   |
| 6    | 47629878001 | Stud, Ground, Kohler .....           | 1   |

**10**

**G**

**10**  
**G**



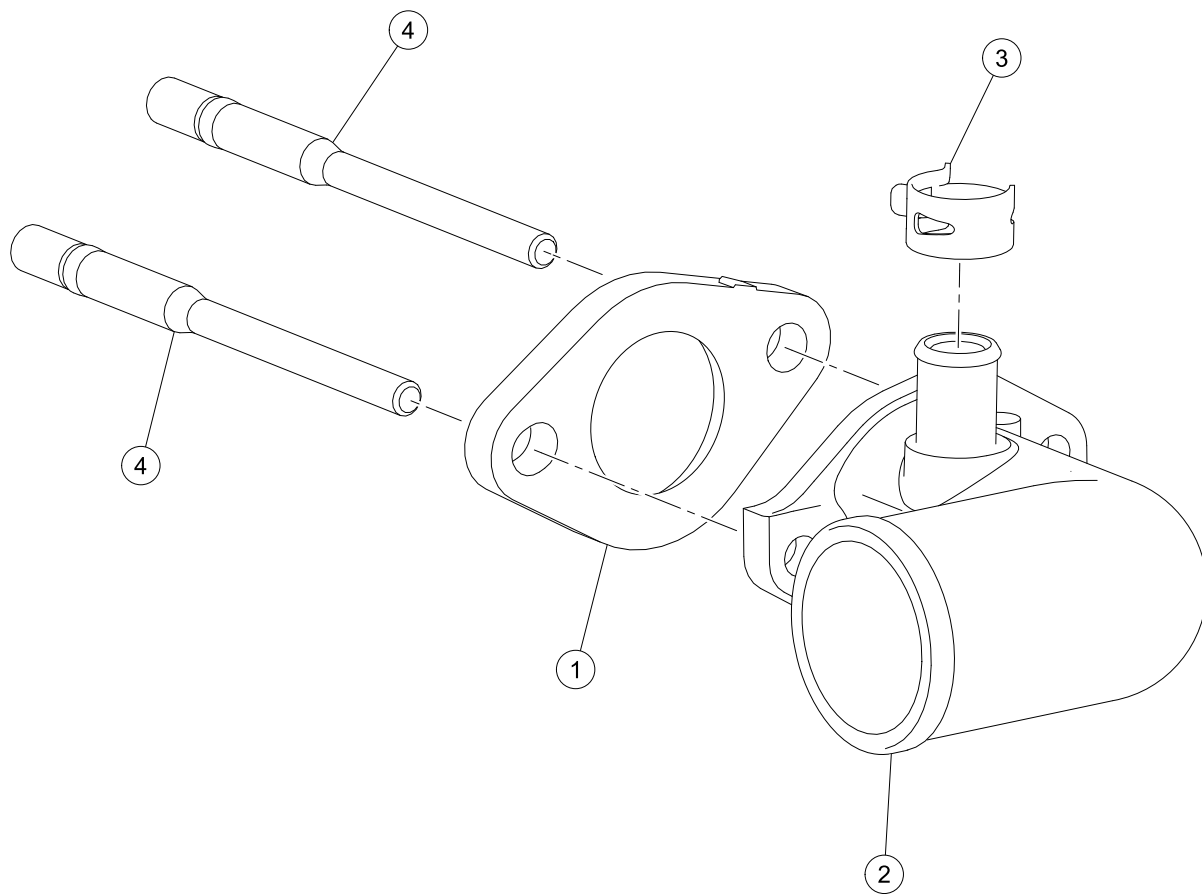
G-100599-000002

## GOVERNOR AND ACCELERATOR CABLES – EFI

| ITEM | PART NO.    | DESCRIPTION                                 | QTY |
|------|-------------|---|-----|
|      |             | 1 2 3 4                                     |     |
| 1    | 1011114     | Nut, M6-1.00 Hex .....                      | 2   |
| 2    | 1014007     | Washer, 1/4, Flat .....                     | 1   |
| 3    | 101886101   | Screw, 1/4-20 X 1.00, Square-Head .....     | 1   |
| 4    | 101887601   | Locknut, M6-1.00 Nylon Insert .....         | 1   |
| 5    | 102296716   | Screw, M6 X 16 Tt Hx Fl Hd .....            | 1   |
| 6    | 102410604   | P-clamp, Insulated, 0.625 Inch .....        | 3   |
| 7    | 102476401   | Bolt, Stop, Pedal .....                     | 1   |
| 8    | 102490301   | Bolt, M6 X 1 X 16, Loctite .....            | 1   |
| 9    | 102498201   | Bolt, M10 X 1.25 X 25, Loctite .....        | 2   |
| 10   | 103982001   | Cable, Accelerator, Std Speed .....         | 1   |
| 11   | 103982002   | Cable, Accelerator, High Speed .....        | 1   |
| 12   | 104023501   | Arm, Governor, ED65 .....                   | 1   |
| 13   | 105135101   | Bracket, Cable, FNR/Accelerator, ED65 ..... | 1   |
| 14   | 105144401   | Weldment, Governor Bracket .....            | 1   |
| 15   | 47601355001 | Cable, Governor, Z Fit 90 Fit .....         | 1   |
| 16   | 8233        | Locknut, 1/4-20, Nylon Insert .....         | 1   |

10

G



G-040999-000003



# AIR INTAKE ELBOW – EFI

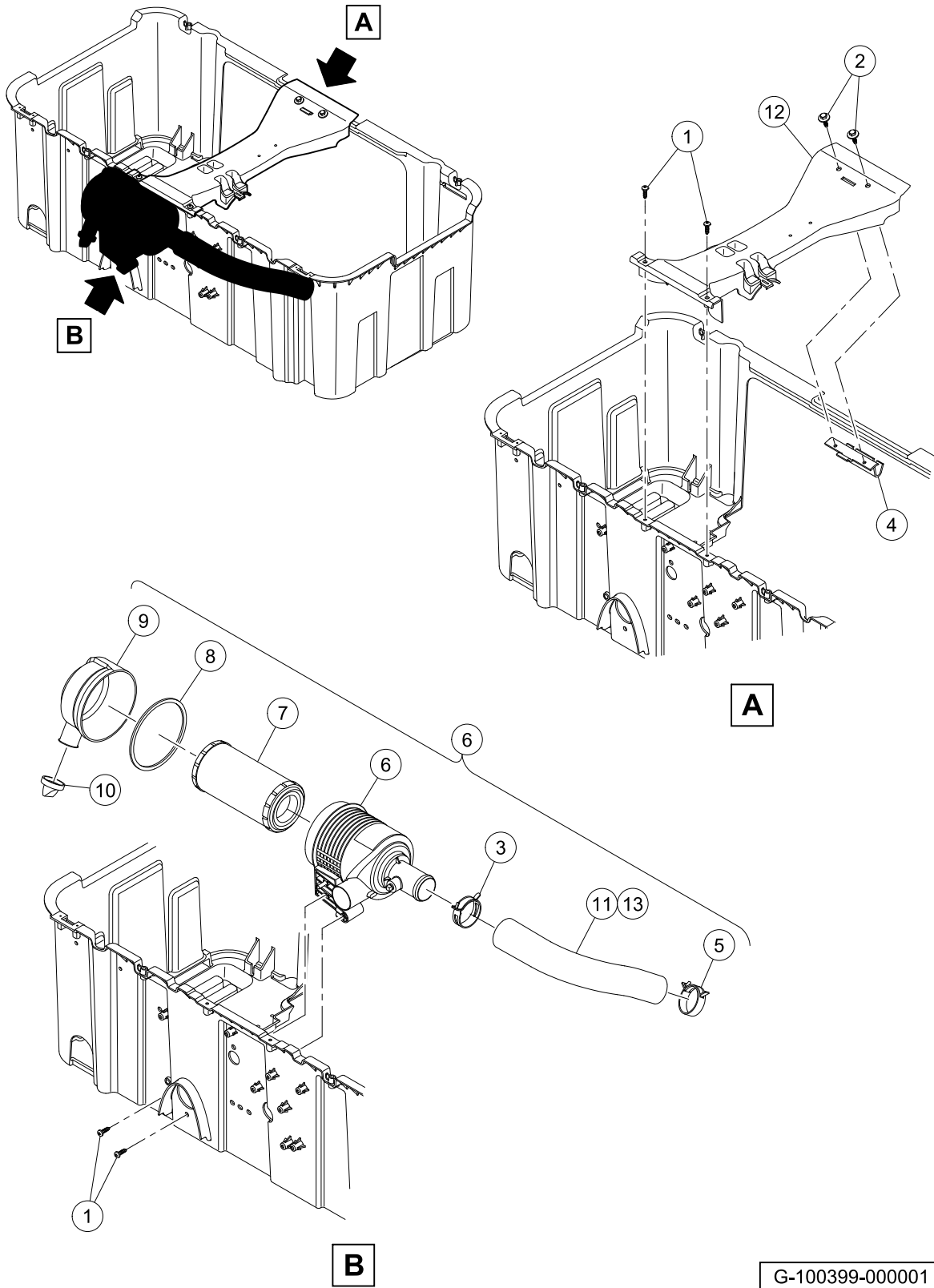
| ITEM | PART NO.    | DESCRIPTION                           | QTY |
|------|-------------|---------------------------------------|-----|
|      |             | 1 2 3 4                               |     |
| 1    | 47629879001 | Insulator Throttle Body, Kohler ..... | 1   |
| 2    | 47629880001 | Elbow, Air Inlet, Kohler .....        | 1   |
| 3    | 47629881001 | Clamp, Breather Hose, Kohler .....    | 1   |
| 4    | 47629882001 | Stud, Intake, Kohler .....            | 2   |

10

G

**10**

**G**



G-100399-000001

## AIR FILTER SYSTEM AND INTAKE HOSE – EFI

| ITEM  | PART NO.    | DESCRIPTION   | QTY |
|---|-------------|---|-----|
|   |             | 1 2 3 4   |     |
| 1   | 102296020   | Screw-torx Pan Head Pt, M6x20 .....                       | 4   |
| 2   | 102297125   | Screw, M6-1.0x25.4, Thread-Forming, SEMS .....            | 2   |
| 3   | 102411209   | Clamp, Hose, Ctb 55mm Dia. ....                           | 1   |
| 4   | 102521401   | Support, Gas Bucket Brace .....                           | 1   |
| 5   | 102558301   | Clamp, Air Intake .....                                   | 1   |
| 6   | 105009001   | Air Cleaner, with EFI (includes items 7 through 10) ..... | 1   |
| 7   | 102558201   | Air Filter, 4 Inch .....                                  | 1   |
| 8   | 102558501   | Gasket, Air Intake .....                                  | 1   |
| 9   | 102558601   | Asm, Cover, Air Intake .....                              | 1   |
| 10  | 102558701   | Evac Valve, Air Intake .....                              | 1   |
| 11  | 47560765001 | Hose, Intake, Lift, Csmr .....                            | 1   |
| 12  | 47610136001 | Brace, Gas Fuel Bucket .....                              | 1   |
| 13  | 47615815001 | Hose, Intake, Extr, 327 Lg .....                          | 1   |
| Note: Item 11 is for lifted vehicles only. Item 13 is for non-lifted vehicles only. |             |   |     |

10

G

**10**

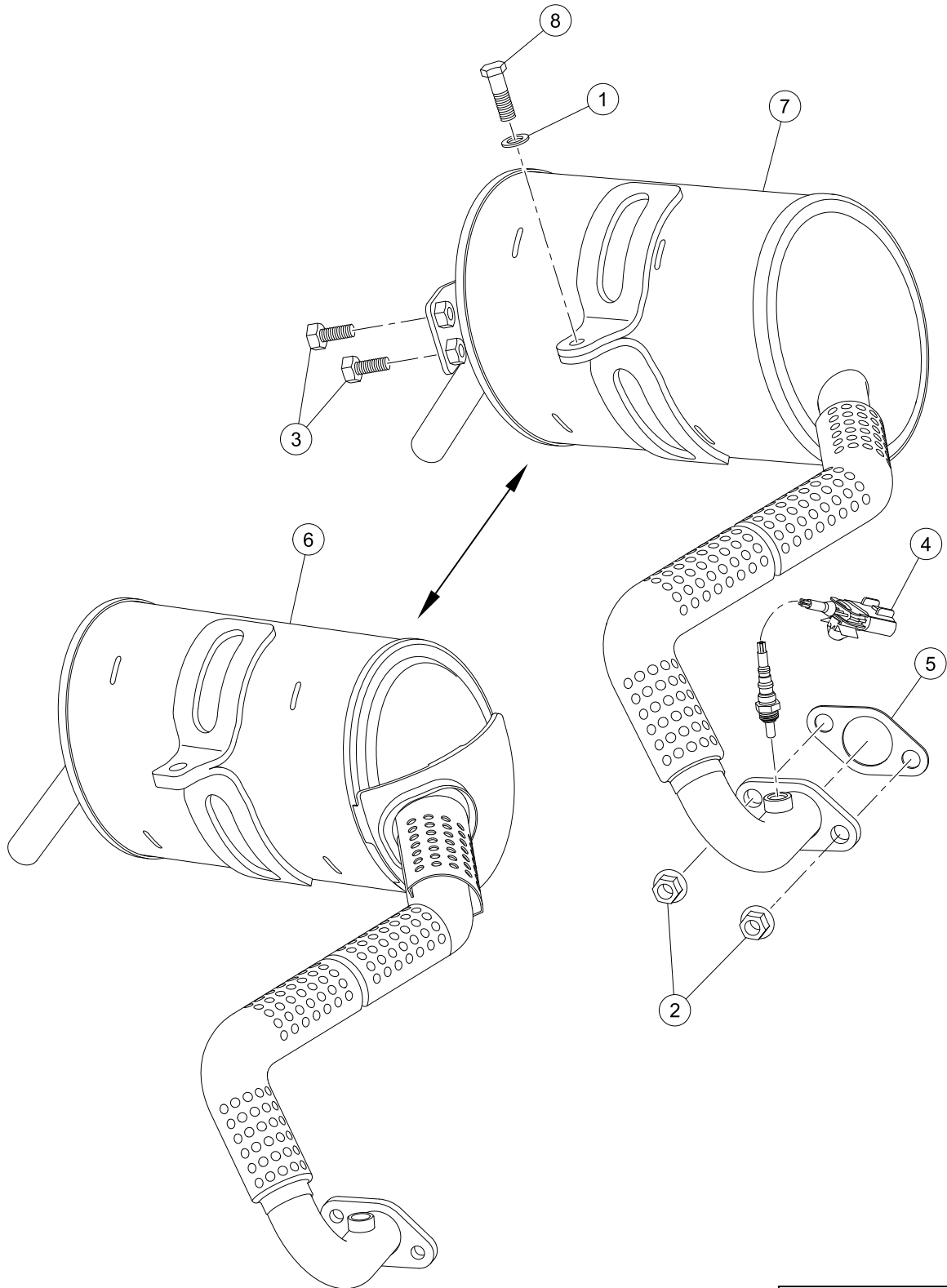
**G**

# EXHAUST SYSTEMS – ECH440

---

11

G



G-110199-000003

# EXHAUST SYSTEMS

| ITEM | PART NO.    | DESCRIPTION                                     | QTY |
|------|-------------|---|-----|
|      |             | <b>1 2 3 4</b>                                  |     |
| 1    | 1011697     | Washer, 5/16 Flat .....                         | 1   |
| 2    | 102298401   | Nut, M8, All Metal Lock .....                   | 2   |
| 3    | 102922701   | Bolt, Flanged Head, M8x1.25x20 Lock Patch ..... | 2   |
| 4    | 47611209001 | Asm, Sensor, Oxygen, Heated .....               | 1   |
| 5    | 47611210001 | Gasket, Exhaust, Grpht, Ech440 .....            | 1   |
| 6    | 47649808001 | Exhaust, LTFF, ECH440 .....                     | 1   |
| 7    | 47649808002 | Exhaust, Utility, ECH440 .....                  | 1   |
| 8    | 96705587    | Bolt, M8 X 1.25 X 30 .....                      | 1   |

**11**  
**G**

11

G



# DRIVE BELT AND CLUTCHES – EFI GASOLINE VEHICLES

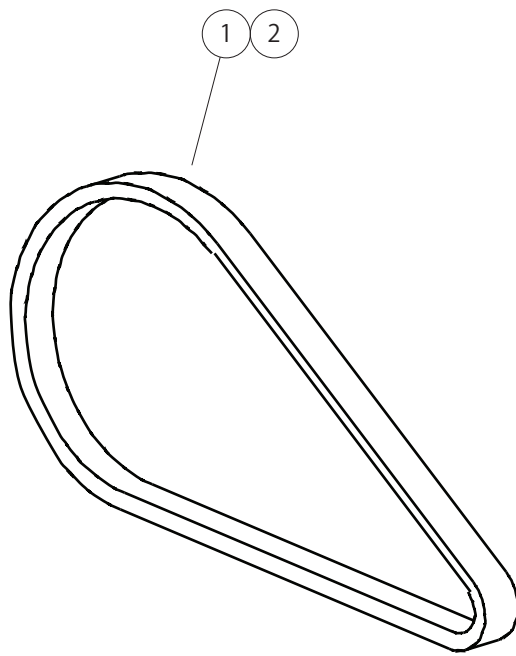
---

12

G

12

G

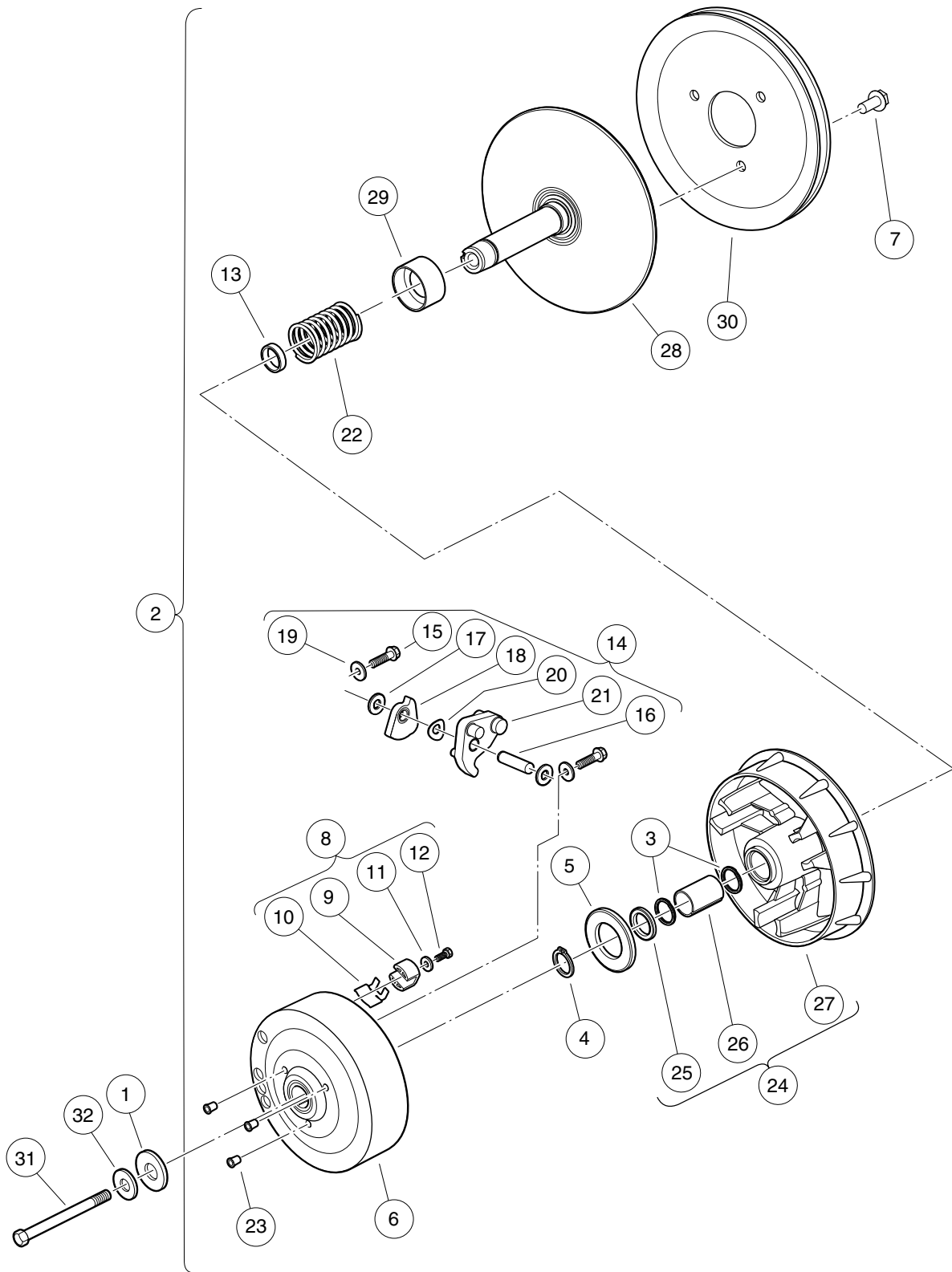


000918-002

# DRIVE BELTS – EFI

| ITEM | PART NO.  | DESCRIPTION                             | QTY |
|------|-----------|---|-----|
| 1    | 103974102 | 1 2 3 4<br>Belt, Drive, Key-Start ..... | 1   |
| 2    | 105245801 | Belt, Drive, Pedal-Start .....          | 1   |

**12**  
**G**



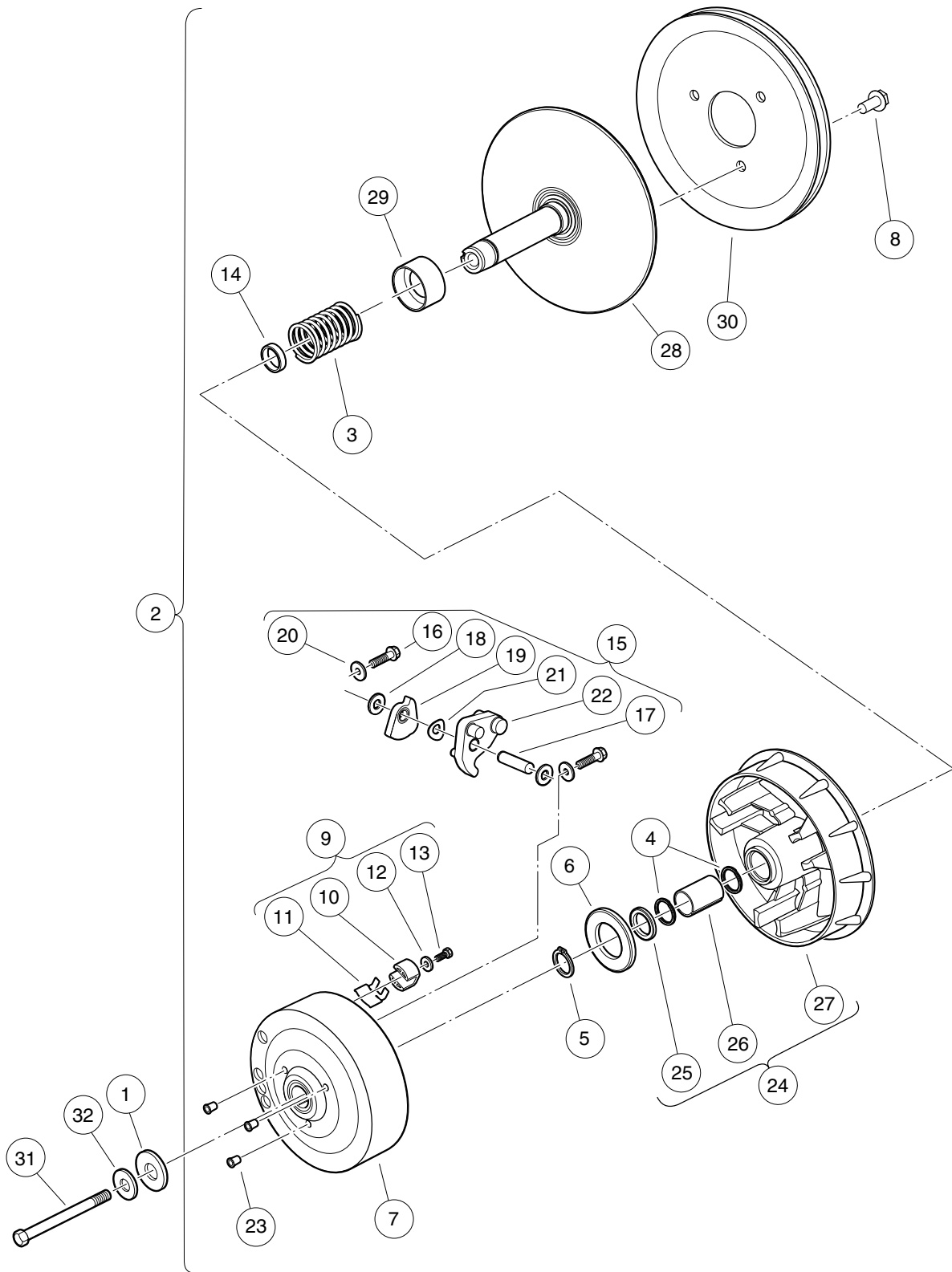
000958-002

## DRIVE CLUTCH – KEY-START VEHICLES

| ITEM | PART NO.  | DESCRIPTION   | QTY |
|------|-----------|---|-----|
|      |           | 1 2 3 4   |     |
| 1    | 102491501 | Washer, Hard, M10 .....   | 1   |
| 2    | 103973902 | Clutch, Drive, Key-Start (includes items 3 through 30) .....          | 1   |
| 3    | 1014056   | Ring, Spiral Backup .....   | 2   |
| 4    | 1014057   | Ring, 0.810" Internal Retaining .....                                 | 1   |
| 5    | 1014058   | Thrust Washer .....   | 1   |
| 6    | 1014059   | Drive Hub Assy, Drive Clutch .....                                    | 1   |
| 7    | 1014288   | Screw, 5/16-18 X 0.75, Thread-Forming .....                           | 3   |
| 8    | 1014453   | Kit, Drive Clutch Button (includes items 9 through 12) .....          | 1   |
| 9    | 1014062   | Driver, Drive Clutch .....  | 3   |
| 10   | 1014287   | Spring, Drive Button .....  | 3   |
| 11   | 183       | Washer, #10, Type A, Flat .....                                       | 3   |
| 12   | 8450      | Screw, #10-24 X 0.50, Hex-Head .....                                  | 3   |
| 13   | 1016289   | Spacer, Fixed Face Shaft .....  | 1   |
| 14   | 1016801   | Kit, Drive Clutch Weight (includes items 15 through 21) .....         | 1   |
| 15   | 1014063   | Screw, 1/4-20 X 1.00, Hex Head .....                                  | 6   |
| 16   | N/A       | Pin, Dowel, 0.3752 x 1.50 .....                                       | 3   |
| 17   | 1014065   | Washer, Flat, 0.38" ID, Delrin .....                                  | 6   |
| 18   | N/A       | Clutch Weight, Secondary .....  | 3   |
| 19   | N/A       | Washer .....  | 6   |
| 20   | 1016201   | Washer, Wave .....  | 3   |
| 21   | N/A       | Weight, Primary .....   | 3   |
| 22   | 1016901   | Spring, Drive Clutch .....  | 1   |
| 23   | N/A       | Cap Plug .....  | 3   |
| 24   | 103974201 | Asm, Sheave, Moveable, Drive, Wr (includes items 25 through 27) ..... | 1   |
| 25   | 1014055   | Retainer .....  | 1   |
| 26   | N/A       | Bushing, Split, Drive Clutch .....                                    | 1   |
| 27   | N/A       | Sheave, Moveable, Drive, Wr .....                                     | 1   |
| 28   | 103974401 | Sheave, Fixed, Drive, Wr .....  | 1   |
| 29   | 103984601 | Spacer, Idler, Drive .....  | 1   |
| 30   | 105096101 | Pulley, 7.3 Inch Effective Dia .....                                  | 1   |
| 31   | 103976101 | Screw, 3/8-24x5.75, Patch .....                                       | 1   |
| 32   | 334       | Washer, 3/8, Type A, Flat .....                                       | 1   |

12

G



000958-001

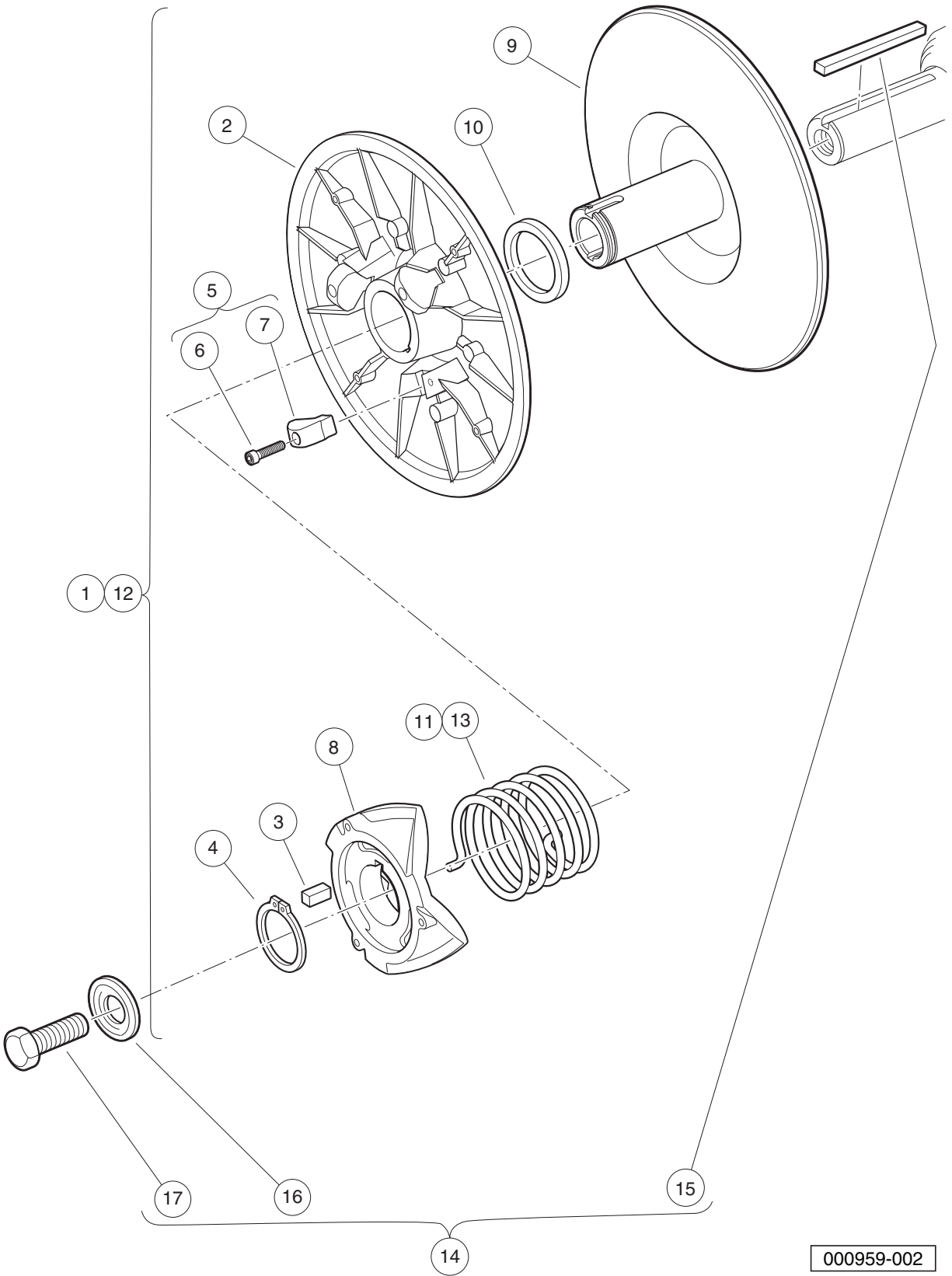
## DRIVE CLUTCH – PEDAL-START VEHICLES

| ITEM | PART NO.  | DESCRIPTION   | QTY |
|------|-----------|---|-----|
|      |           | <b>1 2 3 4</b>  |     |
| 1    | 102491501 | Washer, Hard, M10 .....   | 1   |
| 2    | 103973901 | Clutch, Drive, Pedal-Start (includes items 3 through 30) .....        | 1   |
| 3    | 1014051   | Spring, Drive Clutch .....  | 1   |
| 4    | 1014056   | Ring, Spiral Backup .....   | 2   |
| 5    | 1014057   | Ring, 0.810" Internal Retaining .....                                 | 1   |
| 6    | 1014058   | Thrust Washer .....   | 1   |
| 7    | 1014059   | Drive Hub Assy, Drive Clutch .....                                    | 1   |
| 8    | 1014288   | Screw, 5/16-18 X 0.75, Thread-Forming .....                           | 3   |
| 9    | 1014453   | Kit, Drive Clutch Button (includes items 10 through 13) .....         | 1   |
| 10   | 1014062   | Driver, Drive Clutch .....  | 3   |
| 11   | 1014287   | Spring, Drive Button .....  | 3   |
| 12   | 183       | Washer, #10, Type A, Flat .....                                       | 3   |
| 13   | 8450      | Screw, #10-24 X 0.50, Hex-Head .....                                  | 3   |
| 14   | 1016289   | Spacer, Fixed Face Shaft .....  | 1   |
| 15   | 1016801   | Kit, Drive Clutch Weight (includes items 16 through 22) .....         | 1   |
| 16   | 1014063   | Screw, 1/4-20 X 1.00, Hex Head .....                                  | 6   |
| 17   | N/A       | Pin, Dowel, 0.3752 x 1.50 .....                                       | 3   |
| 18   | 1014065   | Washer, Flat, 0.38" ID, Delrin .....                                  | 6   |
| 19   | N/A       | Clutch Weight, Secondary .....  | 3   |
| 20   | N/A       | Washer .....  | 6   |
| 21   | 1016201   | Washer, Wave .....  | 3   |
| 22   | N/A       | Weight, Primary .....   | 3   |
| 23   | N/A       | Cap Plug .....  | 3   |
| 24   | 103974201 | Asm, Sheave, Moveable, Drive, Wr (includes items 25 through 27) ..... | 1   |
| 25   | 1014055   | Retainer .....  | 1   |
| 26   | N/A       | Bushing, Split, Drive Clutch .....                                    | 1   |
| 27   | N/A       | Sheave, Moveable, Drive, Wr .....                                     | 1   |
| 28   | 103974401 | Sheave, Fixed, Drive, Wr .....  | 1   |
| 29   | 103984601 | Spacer, Idler, Drive .....  | 1   |
| 30   | 105096101 | Pulley, 7.3 Inch Effective Dia .....                                  | 1   |
| 31   | 103976101 | Screw, 3/8-24x5.75, Patch .....                                       | 1   |
| 32   | 334       | Washer, 3/8, Type A, Flat .....                                       | 1   |

12

G

**12**  
**G**



000959-002



## DRIVEN CLUTCH – KEY START AND PEDAL START

| ITEM   | PART NO.    | DESCRIPTION   | QTY |
|--|-------------|---|-----|
|  |             | 1 2 3 4   |     |
| 1  | 47601767001 | Asm, Clutch, Driven, Ccw, Blk (includes items 2 through 11) ..... | 1   |
| 2  | 1014072     | Movable-Face Assembly with Bushing .....                          | 1   |
| 3  | 1014078     | Key, Driven Clutch .....  | 1   |
| 4  | 1014080     | Ring, Retaining .....   | 1   |
| 5  | 1014454     | Kit, Driven Clutch Button (includes items 6 and 7) .....          | 1   |
| 6  | 1012836     | Screw, #8-32 X 3/4, Socket-Head Cap .....                         | 3   |
| 7  | N/A         | Button, Drive .....   | 3   |
| 8  | 1017686     | Cam, Driven Clutch .....  | 1   |
| 9  | 103975301   | Sheave, Fixed, Driven, Wr .....                                   | 1   |
| 10   | 104025101   | Washer, Acetal, Driven Clutch .....                               | 1   |
| 11   | 47600218001 | Spring, Drvn Clutch, Ccw, Blk .....                               | 1   |
| 12   | 47601767002 | Asm, Clutch, Driven, Ccw, Red .....                               | 1   |
| 13   | 47601832001 | Spring, Drvn Clutch, Ccw, Red .....                               | 1   |
| 14   | AM10419     | Kit, Clutch Repair (includes items 15 through 17) .....           | 1   |
| 15   | 101833401   | Key, 3/16 Sq X 1.50" .....  | 1   |
| 16   | 102155801   | Washer, Driven Clutch .....                                       | 1   |
| 17   | 102242101   | Screw, 5/16-18 X 3/4 Hex-Head with Patch .....                    | 1   |
| Note: Item 11 is only applicable to item 1. Item 13 is only applicable to item 12. All other details apply to both driven clutch assemblies. |             |   |     |

12

G

12

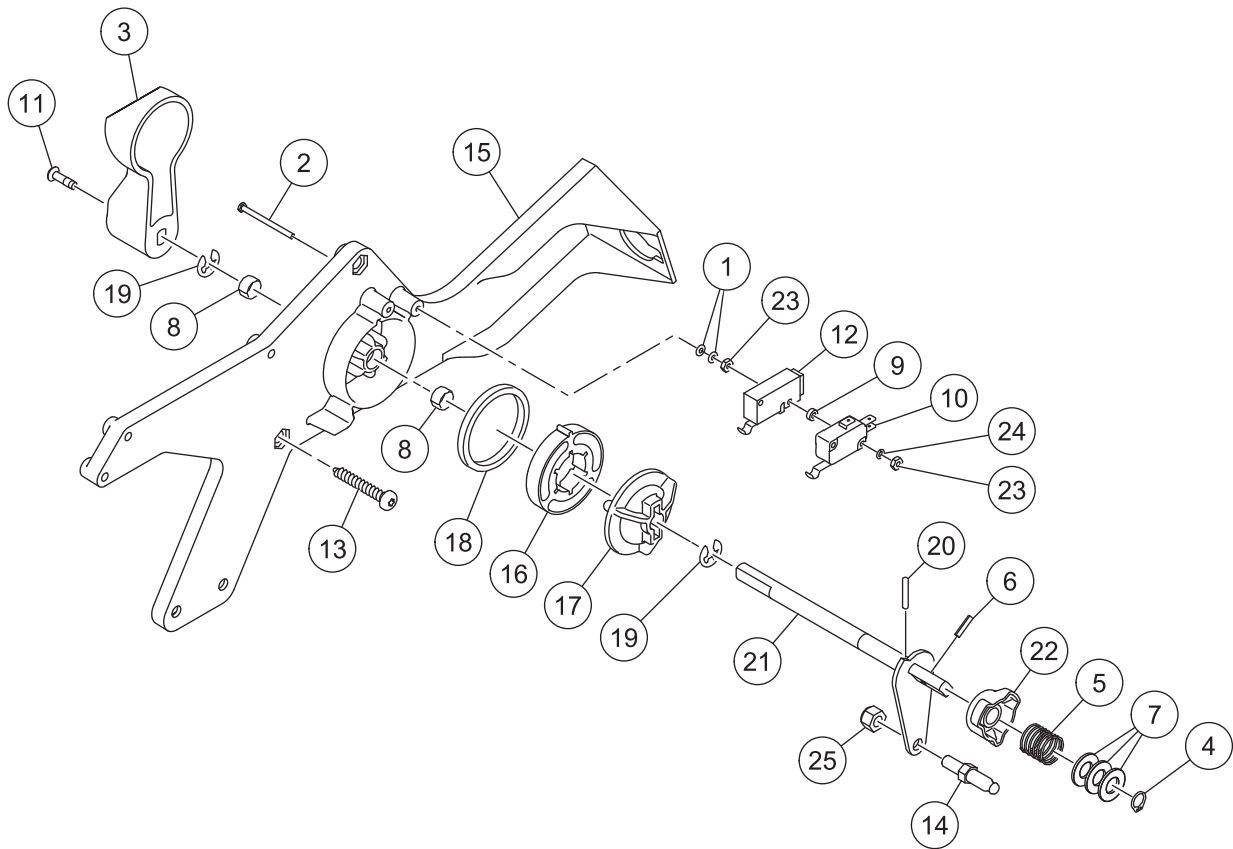
G

# TRANSAXLE, FUJI ED65

---

13

G



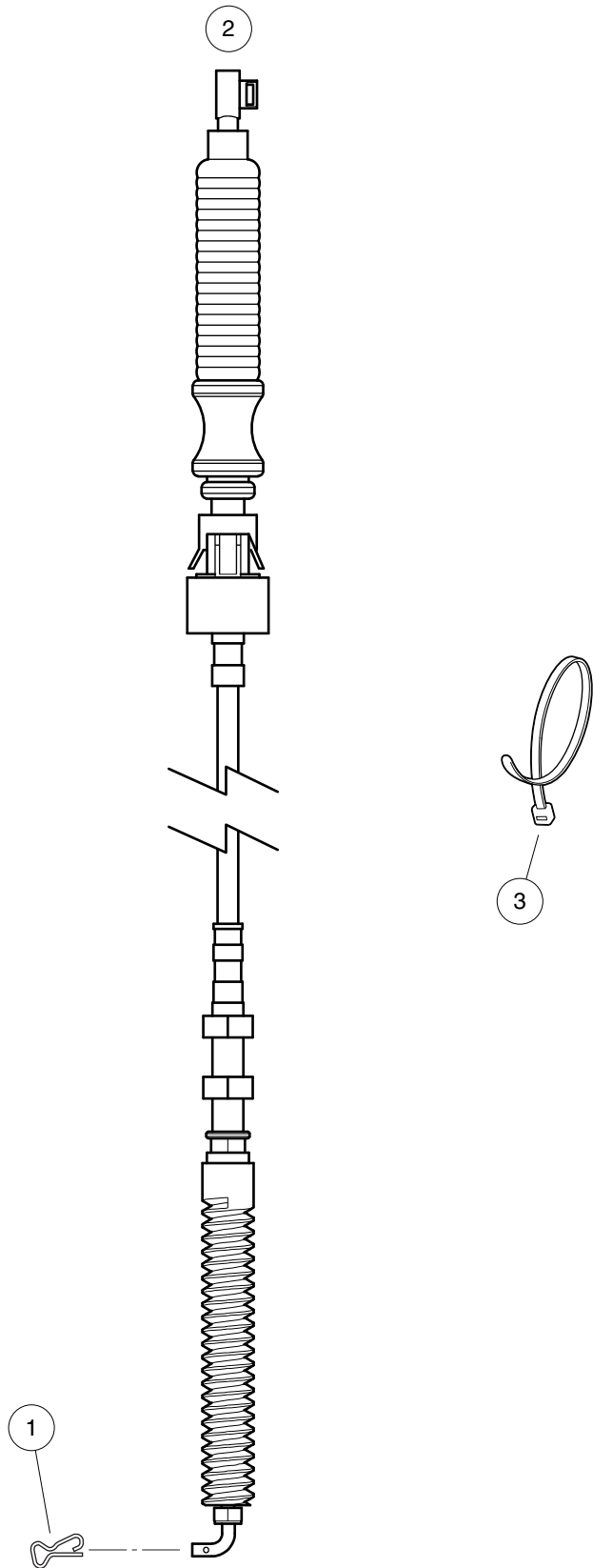
001063-003

# FORWARD/REVERSE SHIFTER ASSEMBLY – EFI

| ITEM | PART NO.  | DESCRIPTION                            | QTY |
|------|-----------|--|-----|
|      |           | 1 2 3 4                                |     |
| 1    | 1012431   | Washer, #4 Flat .....                  | 4   |
| 2    | 1012594   | Screw, #4-40 Machine .....             | 2   |
| 3    | 1012987   | Handle, FNR .....                      | 1   |
| 4    | 1013589   | Ring, Retaining, 0.338" Internal ..... | 1   |
| 5    | 1013590   | Spring, FNR Cam .....                  | 1   |
| 6    | 1013591   | Pin, Roll, 1/8 X 1/2 .....             | 1   |
| 7    | 1014065   | Washer, Flat, 0.38" ID, Delrin .....   | 3   |
| 8    | 1014145   | Bushing, Secondary Weight, Split ..... | 2   |
| 9    | 1014727   | Washer, Flat, #4, Nylon .....          | 2   |
| 10   | 1014807   | Switch, Limit .....                    | 1   |
| 11   | 1015064   | Screw, #8-32 X 0.63 Machine .....      | 1   |
| 12   | 101979101 | Switch, Limit, Assembly, Sealed .....  | 1   |
| 13   | 102296040 | Screw, Torx Pan Hd Pt, M6 X 40 .....   | 3   |
| 14   | 102526201 | Stud, Thread, 1/4-28 .....             | 1   |
| 15   | 105037501 | Housing, Gas FNR Body Shift .....      | 1   |
| 16   | 105037601 | Cam, FNR Detent, 45 Degree .....       | 1   |
| 17   | 105037701 | Follower, FNR Detent .....             | 1   |
| 18   | 105038501 | Spring, Wave, Gas FNR Shifter .....    | 1   |
| 19   | 105039801 | E-Clip, External, 8mm Groove .....     | 2   |
| 20   | 105040401 | Pin, Round, 0.125 Dia x 0.625 .....    | 1   |
| 21   | 105041101 | Weldment, Shaft, Fnr .....             | 1   |
| 22   | 105074101 | Cam, Neutral Lockout, EX40 .....       | 1   |
| 23   | 8057      | Nut, #4-40 Hex Machine .....           | 4   |
| 24   | 8058      | Lockwasher, #4 Split .....             | 2   |
| 25   | 8717      | Locknut, Nylon Insert, 1/4-28 .....    | 1   |

**13**

**G**

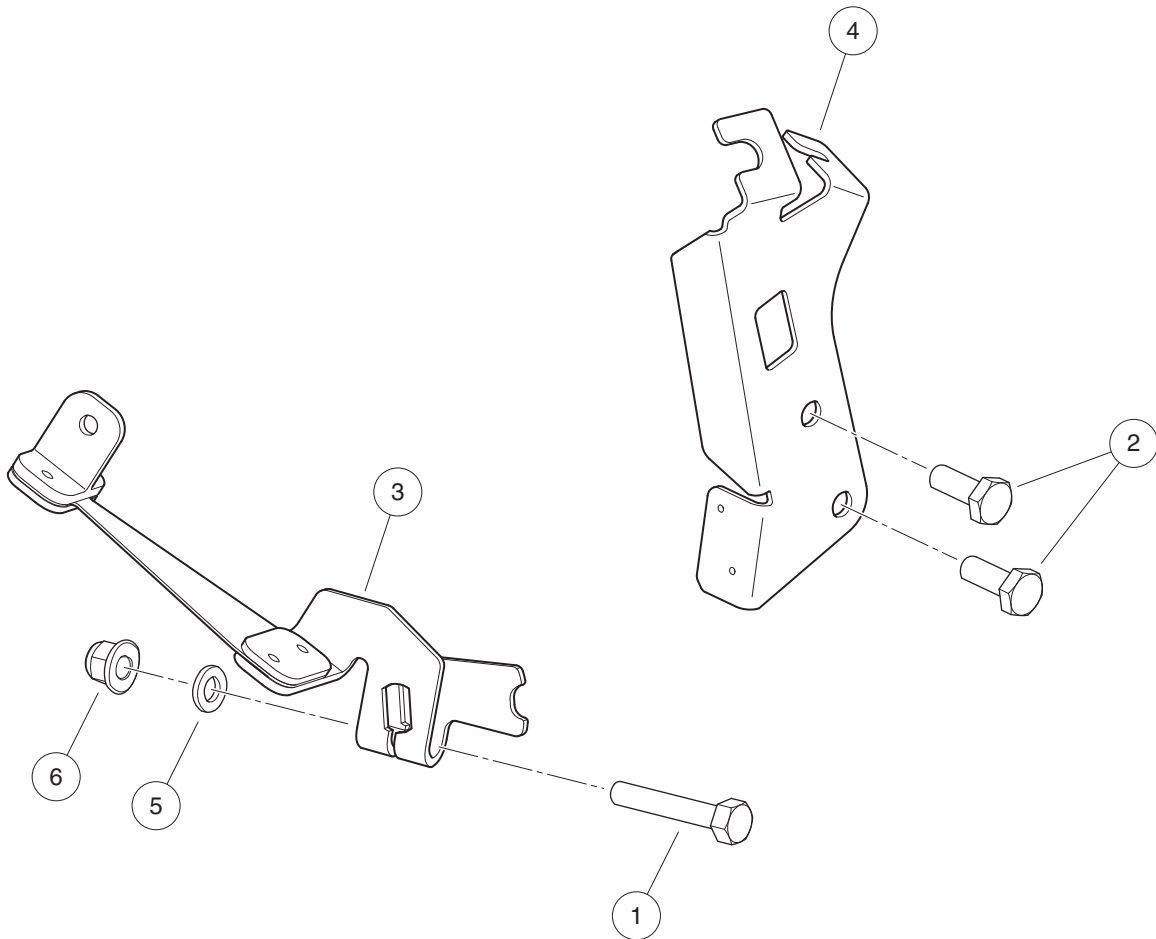


000988-001

# SHIFTER CABLE

| ITEM | PART NO.  | DESCRIPTION                   | QTY |
|------|-----------|-------------------------------|-----|
| 1    | 103886601 | 1 2 3 4<br>Clip, Bowtie ..... | 1   |
| 2    | 105038801 | Cable, Shifter .....          | 1   |
| 3    | 8990      | Tie Wrap, 8" Nylon .....      | A/R |

**13**  
**G**



000965-003

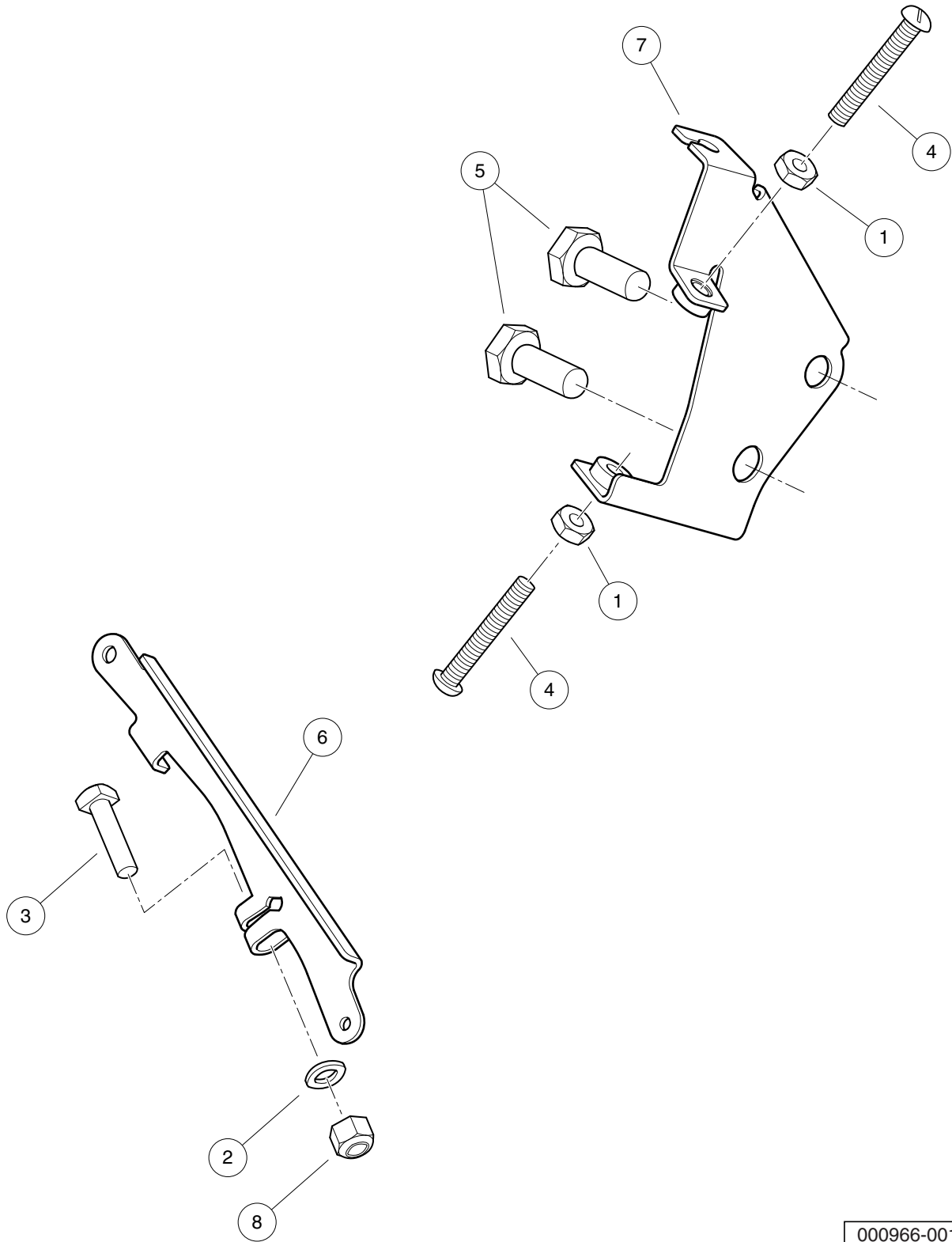


# SHIFT LEVER AND BRACKET – PEDAL-START ENGINES

| ITEM | PART NO.  | DESCRIPTION                                      | QTY |
|------|-----------|--|-----|
|      |           | 1 2 3 4  |     |
| 1    | 101862001 | Screw, 1/4-20 X 1.500 Flange .....               | 1   |
| 2    | 102498201 | Bolt, M10 X 1.25 X 25, Loctite .....             | 2   |
| 3    | 105040901 | Lever, Shift, Flex, Transaxle, Pedal-Start ..... | 1   |
| 4    | 105135101 | Bracket, Cable, FNR/Accelerator, ED65 .....      | 1   |
| 5    | 332       | Washer, 1/4 Type A Narrow Flat .....             | 1   |
| 6    | 8233      | Locknut, 1/4-20, Nylon Insert .....              | 1   |

13

G



000966-001

# GOVERNOR ARM AND BRACKETS

| ITEM | PART NO.  | DESCRIPTION                             | QTY |
|------|-----------|---|-----|
|      |           | 1 2 3 4                                 |     |
| 1    | 1011114   | Nut, M6-1.00 Hex .....                  | 2   |
| 2    | 1014007   | Washer, 1/4, Flat .....                 | 1   |
| 3    | 101886101 | Screw, 1/4-20 X 1.00, Square-Head ..... | 1   |
| 4    | 102476401 | Bolt, Stop, Pedal .....                 | 2   |
| 5    | 102498201 | Bolt, M10 X 1.25 X 25, Loctite .....    | 2   |
| 6    | 104023501 | Arm, Governor, ED65 .....               | 1   |
| 7    | 105144401 | Weldment, Governor Bracket .....        | 1   |
| 8    | 8233      | Locknut, 1/4-20, Nylon Insert .....     | 1   |

13

G

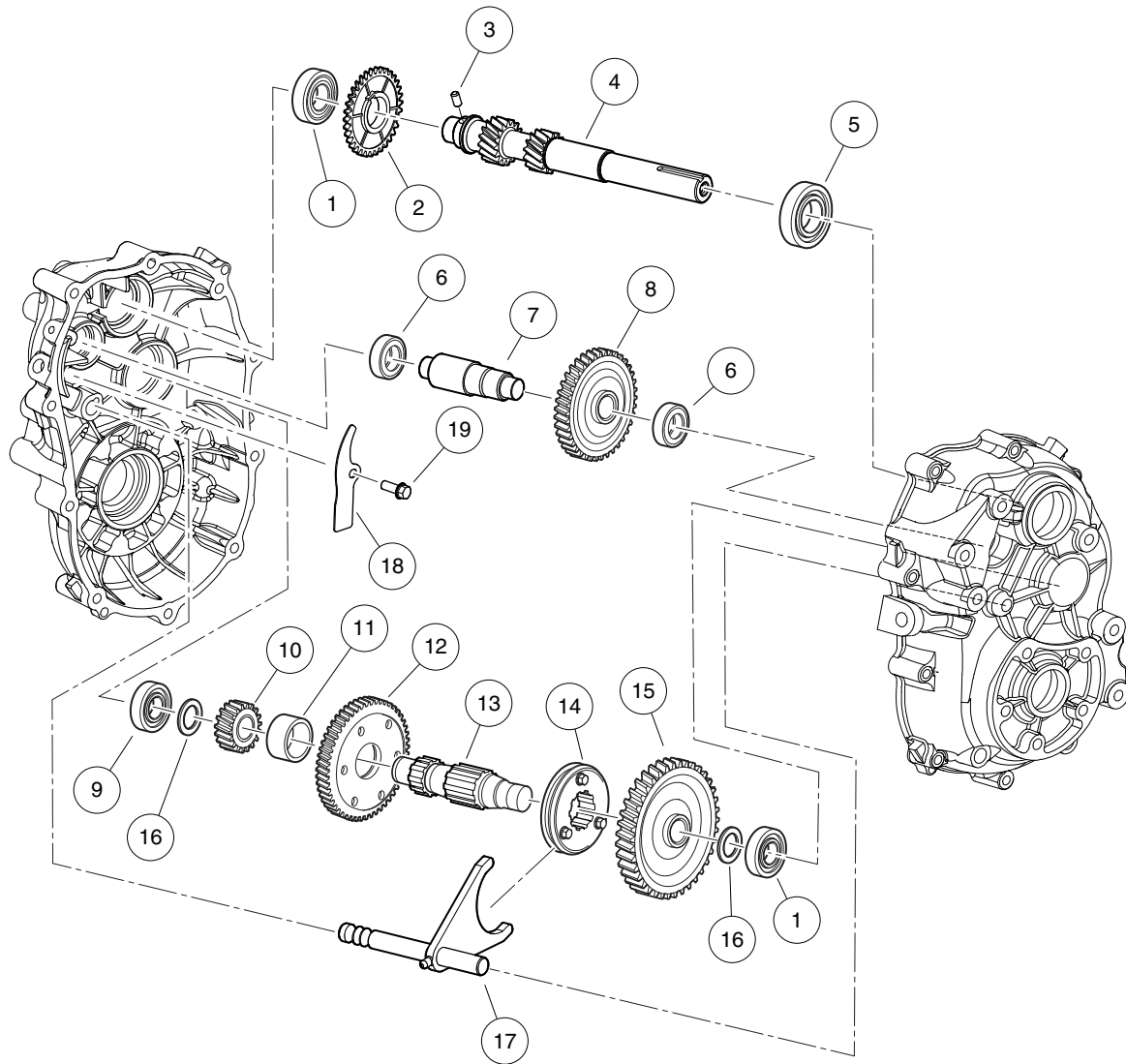


# TRANSAXLE (ED65), OPEN – PAGE 1 OF 3

| ITEM | PART NO.  | DESCRIPTION  | QTY |
|------|-----------|--|-----|
|      |           | 1 2 3 4  |     |
| 1    | 103879701 | Transaxle, ED65, Open Differential (includes items 2 through 32) .....   | 1   |
| 2    | 105025001 | Case, Transaxle, Left, Complete, ED65 (includes items 3 through 13) .....  | 1   |
| 3    | 105025101 | Gear, Governor, Complete, ED65 .....   | 1   |
| 4    | 105025201 | Sleeve, Governor, ED65 .....   | 1   |
| 5    | 105025301 | Washer, ED65 .....   | 2   |
| 6    | 105025401 | Bearing, Thrust, ED65 .....  | 1   |
| 7    | 105025501 | Shaft, Governor Gear, ED65 .....   | 1   |
| 8    | 105025601 | Shaft, Governor, ED65 .....  | 1   |
| 9    | 105025701 | Washer, 6mm, ED65 .....  | 2   |
| 10   | 105025801 | Seal, Oil, 6x10x2.5, ED65 .....  | 1   |
| 11   | 105025901 | Retaining Ring, E5, ED65 .....   | 1   |
| 12   | 105026001 | Seal, Oil, 24x40x9, ED65 .....   | 1   |
| 13   | 105027101 | Vent, Breather, ED65 .....   | 1   |
| 14   | 105026101 | Ball, Steel, ED65 .....  | 1   |
| 15   | 105026201 | Spring, ED65 .....   | 1   |
| 16   | 105026301 | Gasket, 10, ED65 .....   | 1   |
| 17   | 105026401 | Bolt, M10-1.25x12mm Lg, ED65 .....   | 1   |
| 18   | 105026501 | Case, Transaxle, Right, Complete, ED65 (includes items 19 through 24) .....  | 1   |
| 19   | 105026001 | Seal, Oil, 24x40x9, ED65 .....   | 1   |
| 20   | 105026601 | Shaft, Select, ED65 .....  | 1   |
| 21   | 105026701 | Seal, Oil, 13x22x5, ED65 .....   | 1   |
| 22   | 105026801 | Snap Ring, 13mm, ED65 .....  | 1   |
| 23   | 105026901 | Spacer, 13x1, ED65 .....   | 1   |
| 24   | 105027001 | Seal, Oil, 25x45x7, ED65 .....   | 1   |
| 25   | 105027201 | Plug, Oil Drain, ED65 .....  | 2   |
| 26   | 105027301 | Gasket, 14, ED65 .....   | 2   |
| 27   | 105028301 | Pin, Guide, ED65 .....   | 2   |
| 28   | 105028501 | Bolt, Flange, M8-1.25x65mm, ED65 .....   | 1   |
| 29   | 105030001 | Nut, Flange, M8-1.25, ED65 .....   | 10  |
| 30   | 105030701 | Bolt, Flanged, M8-1.25x80mm, ED65 .....  | 9   |
| 31   | 105234801 | Plate, Ed65 Splash .....   | 1   |
| 32   | 105234901 | Bolt, M6-1 X 12mm Lg, Ed65 .....   | 1   |
|      |           | Note: Fuji transaxle component listings span three pages. To identify your transaxle, locate the serial number decal on the axle tube. |     |

13

G



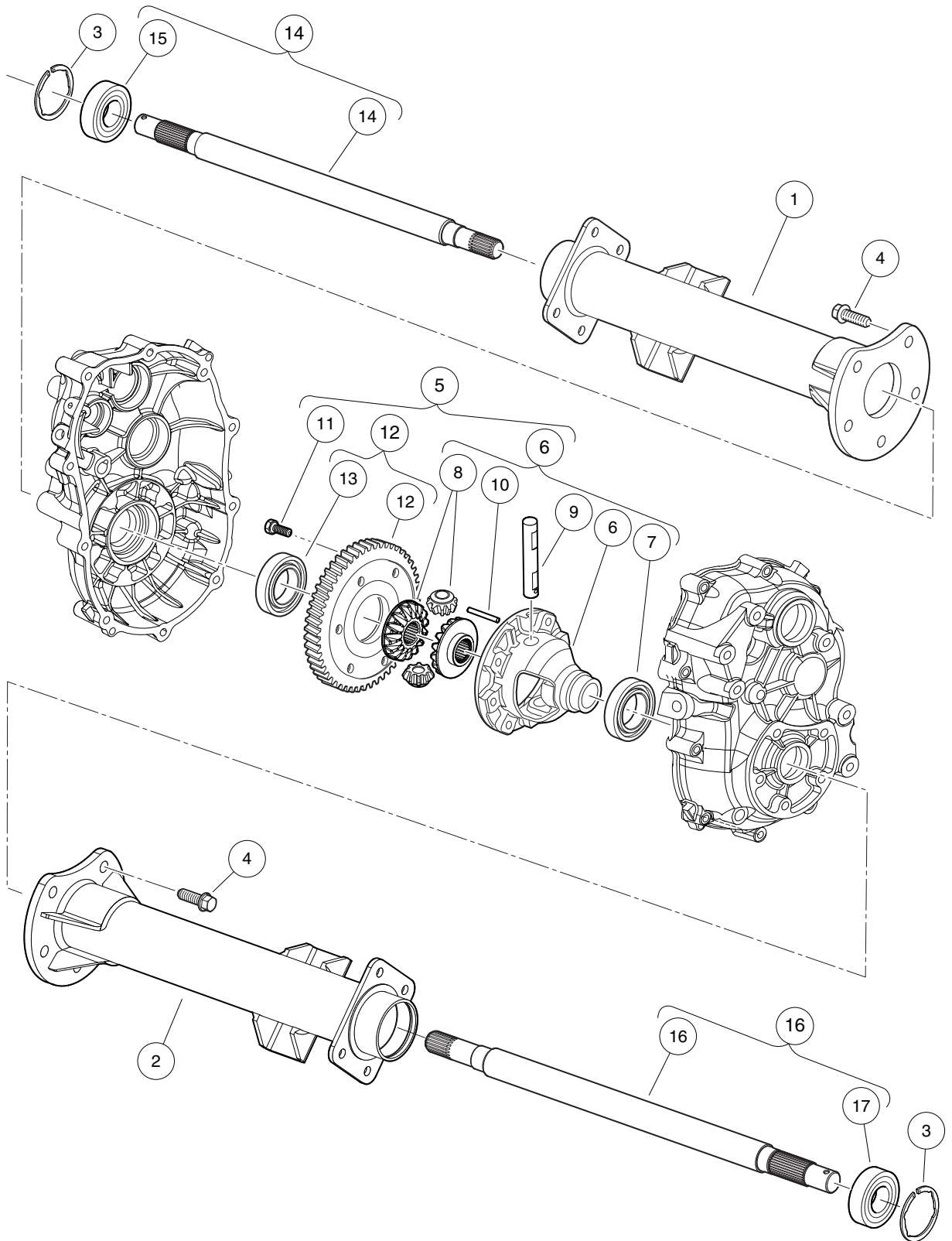
000919-007

# TRANSAXLE (ED65), LIMITED SLIP AND OPEN – PAGE 2 OF 3

| ITEM | PART NO.  | DESCRIPTION   | QTY |
|------|-----------|---|-----|
|      |           | 1 2 3 4   |     |
| 1    | 105027401 | Bearing, Ball (6204) .....  | 2   |
| 2    | 105027501 | Gear, Governor, 34 Tooth, ED65 .....  | 1   |
| 3    | 105027601 | Pin, 6x12 Long, ED65 .....  | 1   |
| 4    | 105027701 | Shaft, Input, ED65 .....  | 1   |
| 5    | 105027801 | Bearing, Ball (6205 seal) .....   | 1   |
| 6    | 105027901 | Bearing, Ball (6202) .....  | 2   |
| 7    | 105028001 | Shaft, Counter, ED65 .....  | 1   |
| 8    | 105028201 | Gear, 34 Tooth, ED65 .....  | 1   |
| 9    | 105028401 | Bearing, Ball (6304) .....  | 1   |
| 10   | 105028601 | Gear, 17 Tooth, ED65 .....  | 1   |
| 11   | 105028701 | Collar, 24 x 12, ED65 .....   | 1   |
| 12   | 105028801 | Gear, 52 Tooth, ED65 .....  | 1   |
| 13   | 105028901 | Shaft, Center, ED65 .....   | 1   |
| 14   | 105029001 | Clutch, Pin, ED65 .....   | 1   |
| 15   | 105029101 | Gear, 62 Tooth, ED65 .....  | 1   |
| 16   | 105029201 | Spacer, 20x2, ED65 .....  | 2   |
| 17   | 105030901 | Shaft, Shift, ED65 .....  | 1   |
| 18   | 105234801 | Plate, Ed65 Splash .....  | 1   |
| 19   | 105234901 | Bolt, M6-1 X 12mm Lg, Ed65 .....  | 1   |
|      |           | <p>Note: To identify your transaxle, locate the serial number decal on the axle tube.</p> |     |

13

G



000919-004

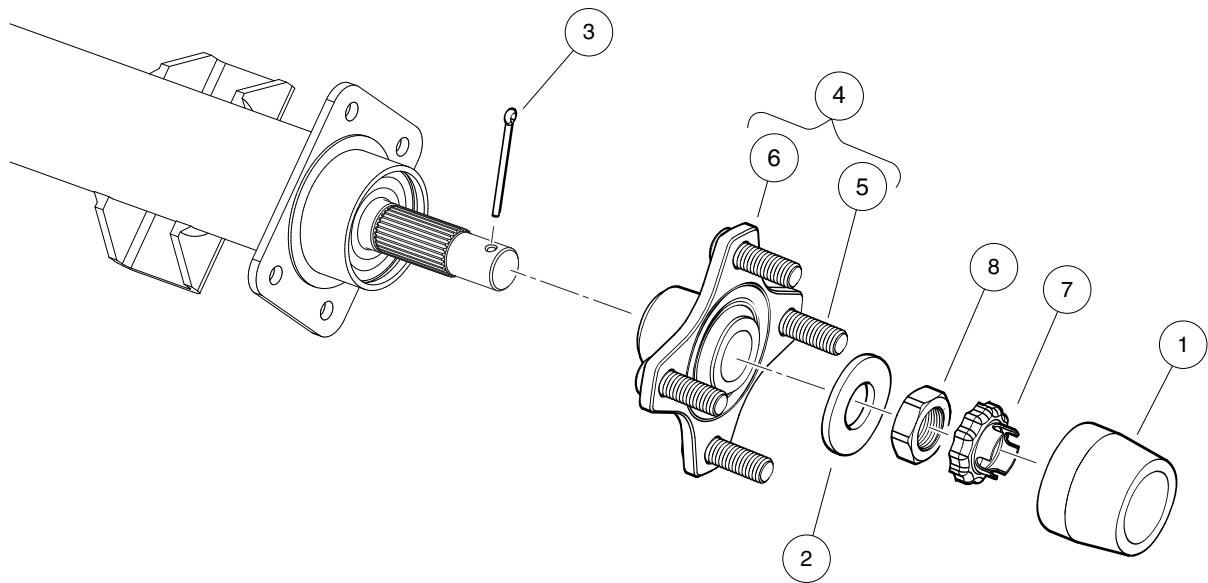


## TRANSAXLE (ED65), OPEN – PAGE 3 OF 3

| ITEM | PART NO.  | DESCRIPTION  | QTY |
|------|-----------|--|-----|
|      |           | 1 2 3 4  |     |
| 1    | 105030401 | Axle Tube, Driver-Side, ED65 .....   | 1   |
| 2    | 105030501 | Axle Tube, Passenger-Side, ED65 .....  | 1   |
| 3    | 105030601 | Snap Ring, 52mm, ED65 .....  | 2   |
| 4    | 105030801 | Bolt, Flange, M10-1.25x25, ED65 .....  | 10  |
| 5    | 105031001 | Differential, Open, ED65 (includes items 6 through 12) .....                       | 1   |
| 6    | 105029301 | Case, Differential, Complete, ED65 (includes items 7 through 10) .....             | 1   |
| 7    | 105028101 | Bearing, Ball (6006) .....   | 1   |
| 8    | 105029401 | Gear Set, Differential, ED65 .....   | 1   |
| 9    | 105029601 | Shaft, Differential, ED65 .....  | 1   |
| 10   | 105029701 | Pin, 4x40 Long, ED65 .....   | 1   |
| 11   | 105029501 | Bolt, M10-1.25x26mm Lg, ED65 .....   | 6   |
| 12   | 105029901 | Gear, 60 Tooth, Complete, ED65 (includes item 13) .....                            | 1   |
| 13   | 105029801 | Bearing, Ball (6007) .....   | 1   |
| 14   | 105066001 | Axle Shaft, Driver-Side, Complete, ED65 (includes item 15) .....                   | 1   |
| 15   | 105030301 | Bearing, Ball (6205DD) .....   | 1   |
| 16   | 105066101 | Axle Shaft, Passenger-Side, Complete, ED65 (includes item 17) .....                | 1   |
| 17   | 105030301 | Bearing, Ball (6205DD) .....   | 1   |
|      |           | Note: To identify your transaxle, locate the serial number decal on the axle tube. |     |

13

G



000919-006

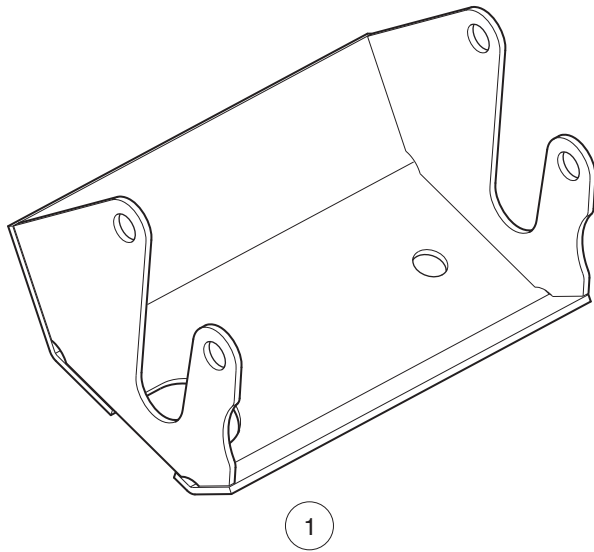
# HUB, REAR

| ITEM | PART NO.  | DESCRIPTION                                       | QTY |
|------|-----------|---|-----|
|      |           | <b>1 2 3 4</b>                                    |     |
| 1    | 102274101 | Center Cap, Rubber .....                          | 2   |
| 2    | 102617801 | Washer, Hard, M22 .....                           | 2   |
| 3    | 103989501 | Pin, Cotter, 9/64 X 1.75" .....                   | 2   |
| 4    | 103995001 | Asm, Hub, Machined (includes items 5 and 6) ..... | 2   |
| 5    | 103951501 | Lug Stud, 1/2-20 UNF, SAE J1102 .....             | 4   |
| 6    | 103979301 | Hub, Machined .....                               | 1   |
| 7    | 104021701 | Retaining Ring, Hex Nut, M22 .....                | 2   |
| 8    | 104027101 | Nut, Hex, M22x1.5, Thin .....                     | 2   |

**13**  
**G**

13

G



001436-001

# DIFFERENTIAL GUARD, ED65 – GASOLINE VEHICLE

| ITEM | PART NO.  | DESCRIPTION  | QTY |
|------|-----------|--|-----|
| 1    | 103989901 | <div style="display: flex; justify-content: space-between; margin-bottom: 5px;"> <span>1</span> <span>2</span> <span>3</span> <span>4</span> </div> Weldment, Diff Guard, Ed65 ..... | 1   |

13

G

13

G

# ELECTRICAL SYSTEM – EXCEL WITH HIGH FREQUENCY CHARGERS

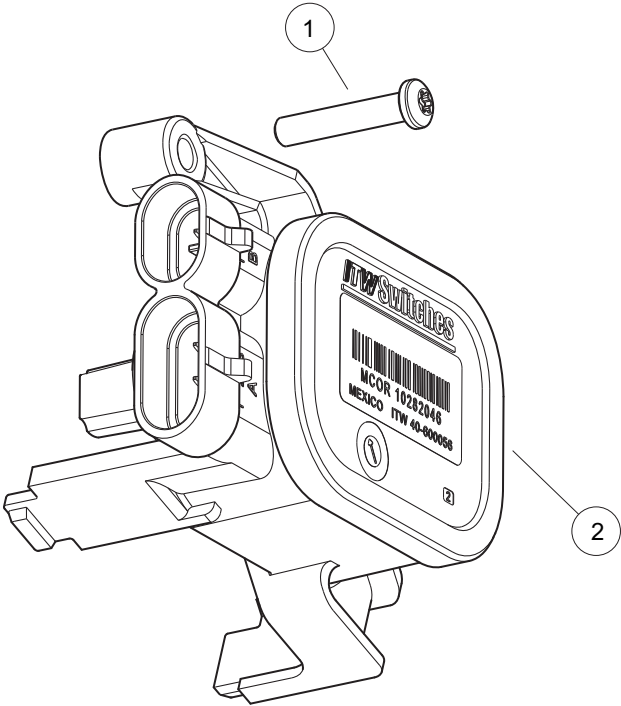
---

14

*E*

14

E



000243-005

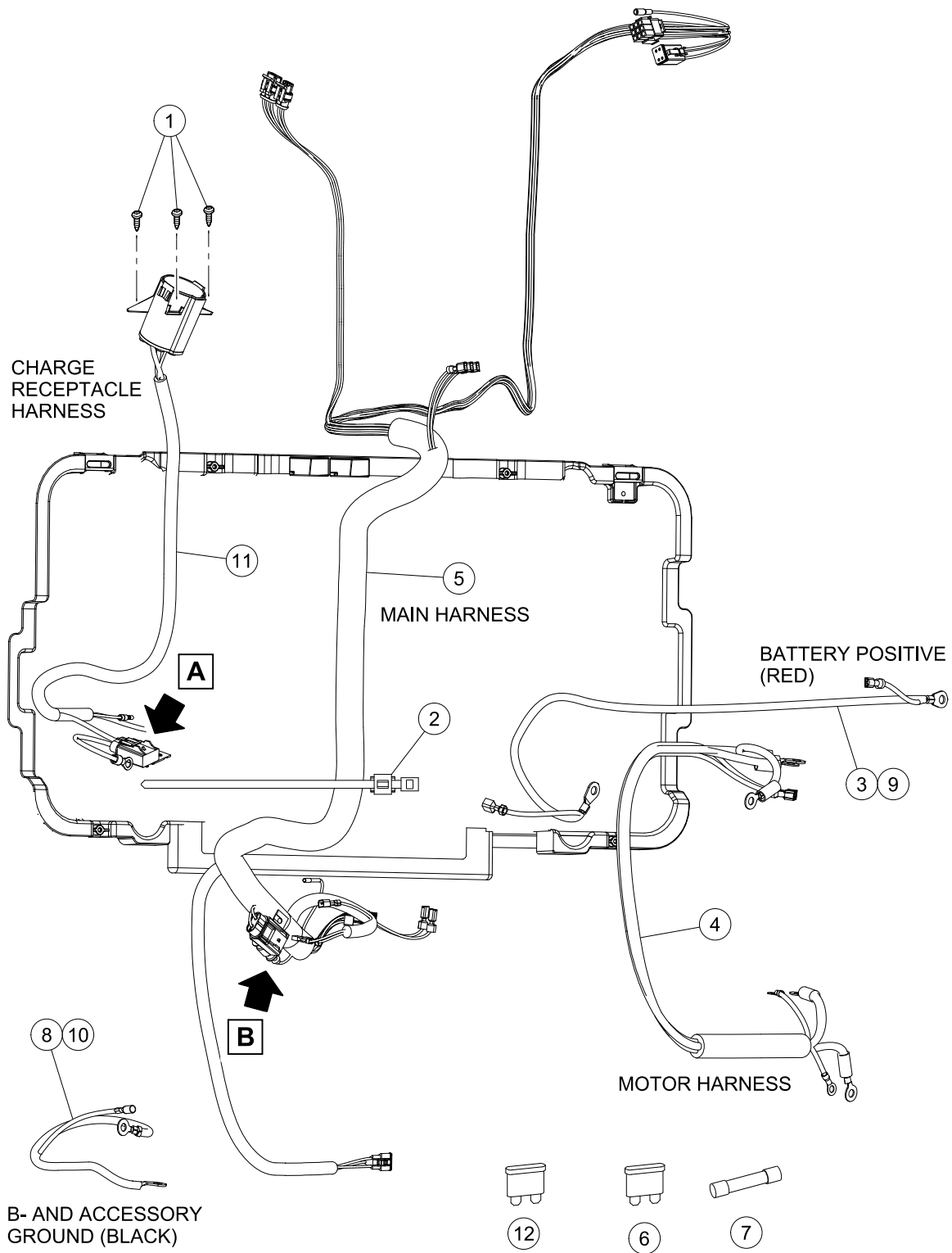


# MOTOR CONTROLLER OUTPUT REGULATOR (MCOR)

| ITEM | PART NO.  | DESCRIPTION                                   | QTY |
|------|-----------|---|-----|
| 1    | 103943401 | 1 2 3 4<br>Screw, Pan, #10 X 1.00 Hi-lo ..... | 1   |
| 2    | 105116301 | MCOR4, Type 16 Switch .....                   | 1   |

14

E



G-130499-000007

## WIRING AND FUSES – LIFTED AND NON-LIFTED

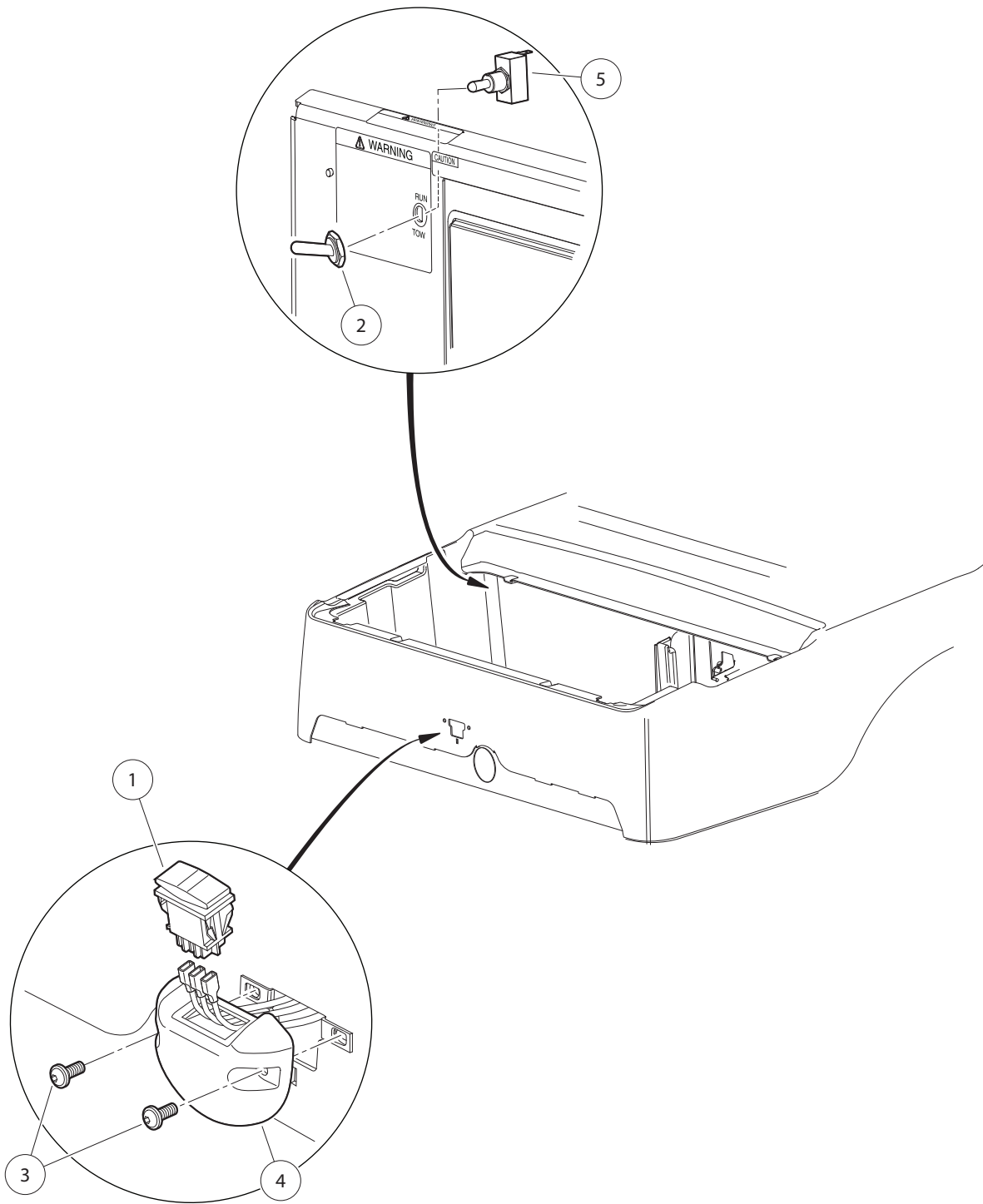
| ITEM | PART NO.  | DESCRIPTION  | QTY |
|------|-----------|--|-----|
|      |           | 1 2 3 4  |     |
| 1    | 101832001 | Screw, #7-19 X 0.625 Phillips Pan-Head Tap .....   | 3   |
| 2    | 102554901 | Clip, Edge, with Wire Tie .....  | 1   |
| 3    | 103375402 | Asm, Wire, Battery Positive, B+, Short, 6 Awg .....  | 1   |
| 4    | 103375702 | Asm, Harness, Motor 1/4 .....  | 1   |
| 5    | 104023201 | Harness, Main, Excel w/Hi-Freq, Mcor3 (includes items 6 and 7) .....                                 | 1   |
| 6    | 102538601 | 15 Amp Fuse .....  | 1   |
| 7    | 103924801 | Fuse, Glass, 2-Amp .....   | 1   |
| 8    | 104024001 | Asm, Wire, Battery Negative, B-, w/ Accy Ground, 6 Awg .....   | 1   |
| 9    | 105065601 | Asm, Ev Batt Pos 4 Awg .....   | 1   |
| 10   | 105065701 | Wire, B- W/acc Gnd 4 Awg .....   | 1   |
| 11   | 105137401 | Harness, Wire, Charger Receptacle (for Yellow DC Cord) (includes item 12) .....                      | 1   |
| 12   | 102492301 | Fuse, 30-Amp .....   | 1   |
|      |           | Note: Items 3 and 8 apply to non-lifted vehicles only. Items 9 and 10 apply to lifted vehicles only. |     |

14

E

14

E



000462-004

# FORWARD/REVERSE SWITCH AND TOW/RUN SWITCH

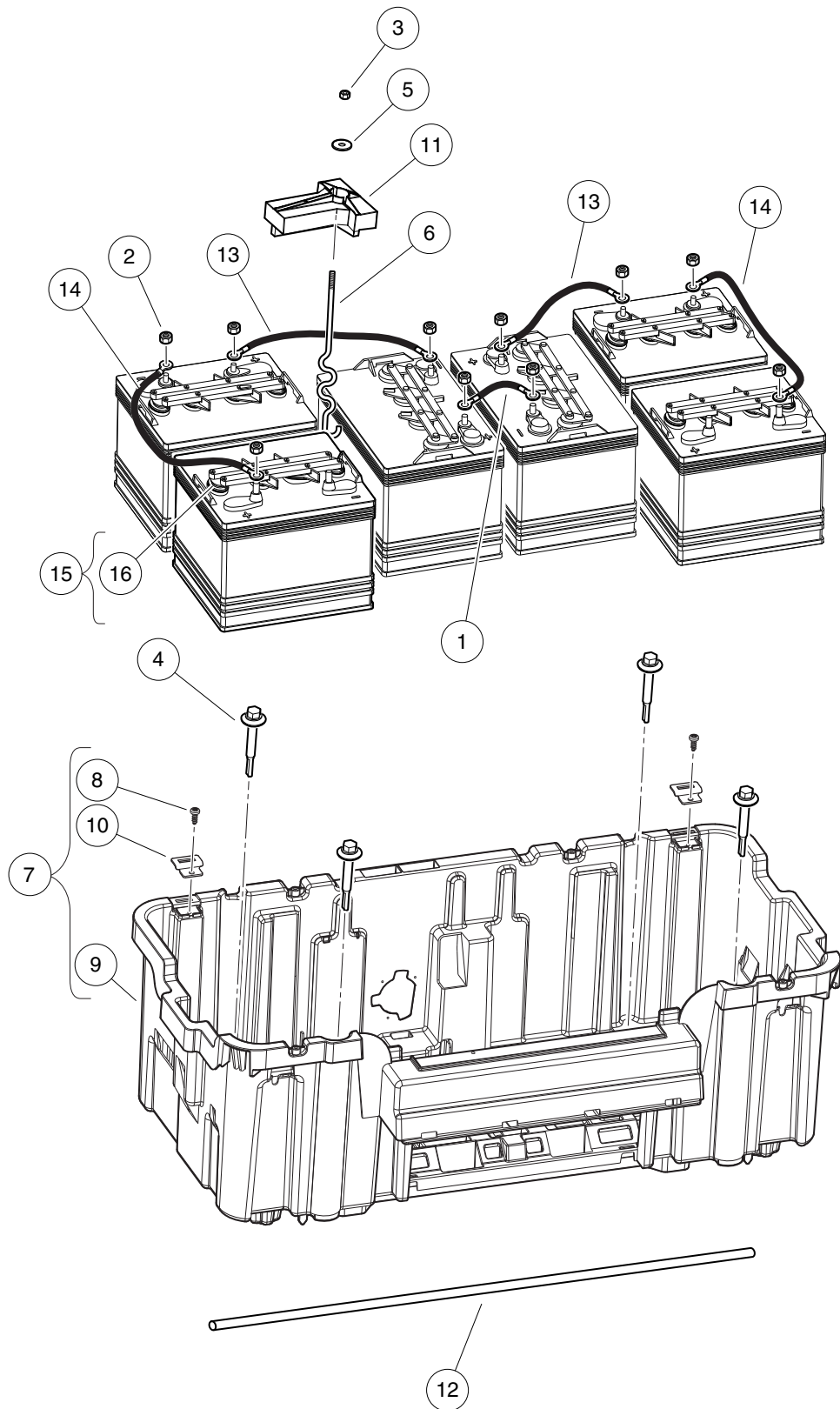
| ITEM | PART NO.  | DESCRIPTION                             | QTY |
|------|-----------|---|-----|
|      |           | 1 2 3 4                                 |     |
| 1    | 101856001 | Switch, Rocker, Double-Pole .....       | 1   |
| 2    | 101908401 | Boot, Switch .....                      | 1   |
| 3    | 102296920 | Screw, M6, Torx Button Head, Sems ..... | 2   |
| 4    | 102508401 | Housing, FNR Electric .....             | 1   |
| 5    | 102511101 | Switch, Tow/Run .....                   | 1   |

14

E

14

E



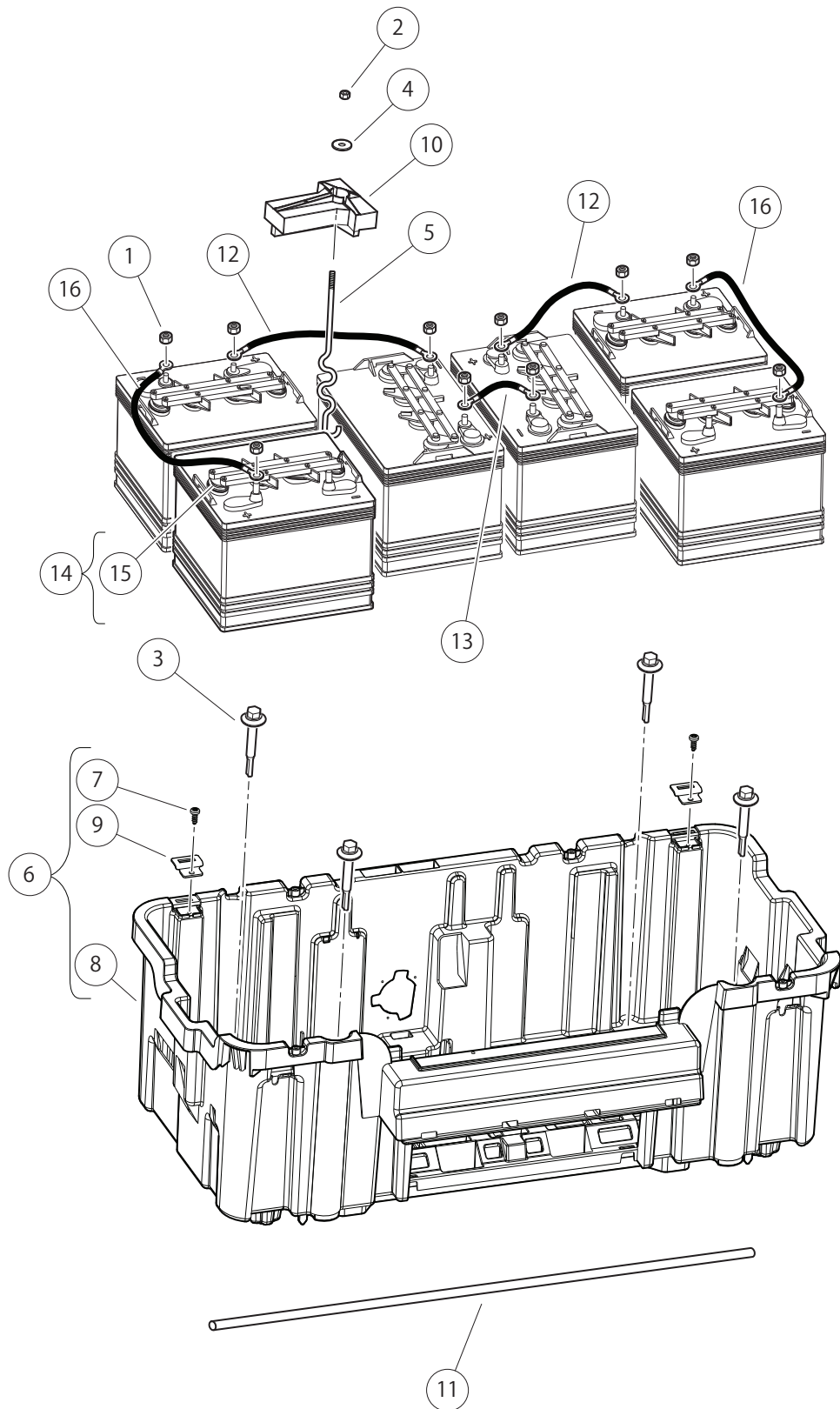
000682-001

# BATTERIES AND BATTERY BUCKET, PD+ 8-VOLT, NON-LIFTED

| ITEM | PART NO.  | DESCRIPTION   | QTY |
|------|-----------|---|-----|
|      |           | <b>1 2 3 4</b>  |     |
| 1    | 1010958   | Asm, Wire, #6blk 8in .....                                  | 1   |
| 2    | 1014304   | Nut, 5/16-18 Stainless-Steel Hex .....                      | 12  |
| 3    | 1014555   | Locknut, 7/16-14 Nylon Hex .....                            | 2   |
| 4    | 102292356 | Screw-1/4-20x56 Hwh Self Drill .....                        | 4   |
| 5    | 102491501 | Washer, Hard, M10 .....                                     | 2   |
| 6    | 103357701 | Bolt, Battery, "s" Hold-down .....                          | 2   |
| 7    | 103368401 | Asm, Bucket, Batt, Elec (includes items 8 through 10) ..... | 1   |
| 8    | 102298020 | Screw, K80x20, Torx Pn Hd Pt .....                          | 2   |
| 9    | N/A       | Bucket, Batt, Elec .....                                    | 1   |
| 10   | 103368301 | Hinge - Nested .....  | 2   |
| 11   | 103374801 | Hold Down, Battery .....                                    | 2   |
| 12   | 103375301 | Tube, Cross, Battery Rod .....                              | 1   |
| 13   | 103647402 | Wire Asm #6 Blk, 12" .....                                  | 2   |
| 14   | 103647403 | Wire Asm #6 Blk, 17" .....                                  | 2   |
| 15   | 103793001 | Battery, 8-Volt, JCI GC8 (includes item 16) .....           | 6   |
| 16   | 103765601 | Cap, Spin, 8-Volt Battery .....                             | 1   |

**14**

**E**



000682-007



# BATTERIES AND BATTERY BUCKET, PD+ 8-VOLT – LIFTED

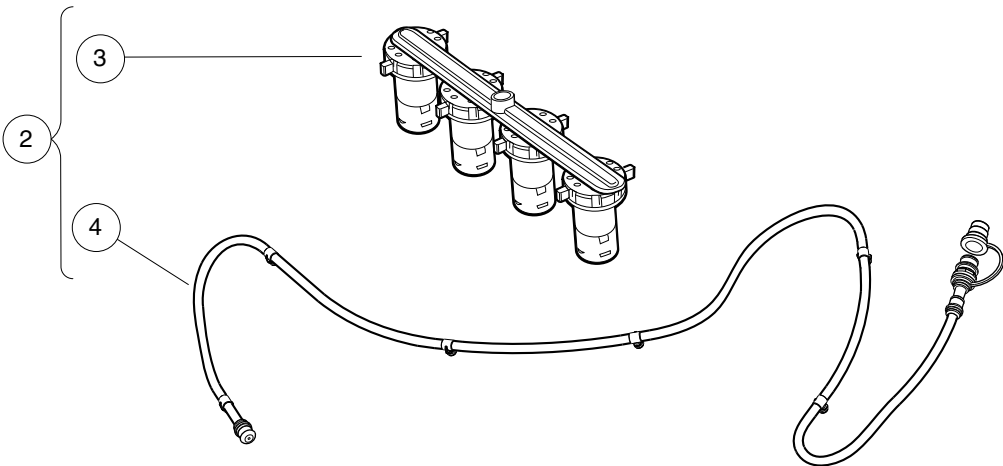
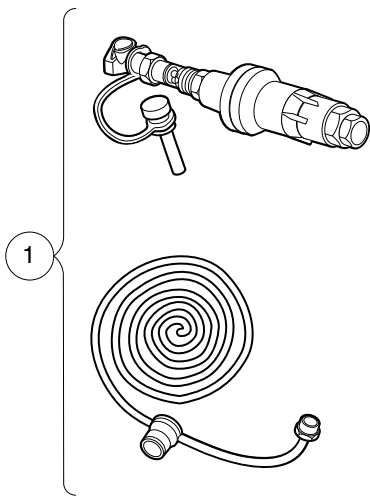
| ITEM | PART NO.  | DESCRIPTION  | QTY |
|------|-----------|--|-----|
|      |           | 1 2 3 4  |     |
| 1    | 1014304   | Nut, 5/16-18 Stainless-Steel Hex .....                     | 12  |
| 2    | 1014555   | Locknut, 7/16-14 Nylon Hex .....                           | 2   |
| 3    | 102292356 | Screw-1/4-20x56 Hwh Self Drill .....                       | 4   |
| 4    | 102491501 | Washer, Hard, M10 .....                                    | 2   |
| 5    | 103357701 | Bolt, Battery, "s" Hold-down .....                         | 2   |
| 6    | 103368401 | Asm, Bucket, Batt, Elec (includes items 7 through 9) ..... | 1   |
| 7    | 102298020 | Screw, K80x20, Torx Pn Hd Pt .....                         | 2   |
| 8    | N/A       | Bucket, Batt, Elec .....                                   | 1   |
| 9    | 103368301 | Hinge - Nested .....                                       | 2   |
| 10   | 103374801 | Hold Down, Battery .....                                   | 2   |
| 11   | 103375301 | Tube, Cross, Battery Rod .....                             | 1   |
| 12   | 103508501 | Asm, Wire #4 Blk, 13 In .....                              | 2   |
| 13   | 103508801 | Asm, Wire, #4 Blk 8 In .....                               | 1   |
| 14   | 103793001 | Battery, 8-Volt, JCI GC8 (includes item 15) .....          | 6   |
| 15   | 103765601 | Cap, Spin, 8-Volt Battery .....                            | 1   |
| 16   | 105065403 | Wire, Batt, 4awg, 455 .....                                | 2   |

14

E

14

E



000731-009

# SINGLE POINT WATERING SYSTEM, 8V

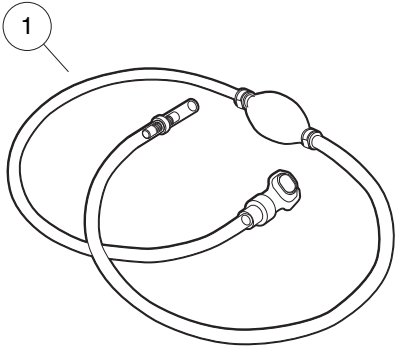
| ITEM | PART NO.  | DESCRIPTION   | QTY |
|------|-----------|---|-----|
|      |           | 1 2 3 4   |     |
| 1    | 102958001 | Kit Regulated Hose Sply Spws .....                          | 1   |
| 2    | 103395505 | Kit, Spws, 8 Volt Non-Trojan (includes items 3 and 4) ..... | 1   |
| 3    | 103510602 | Spws, Manifold Asm, 8v Non-Trojan .....                     | 6   |
| 4    | 103774701 | Spws, Hose 8v Non-trojan .....                              | 1   |
|      |           | Note: For JCI 8-Volt batteries only.                        |     |

14

E

**14**

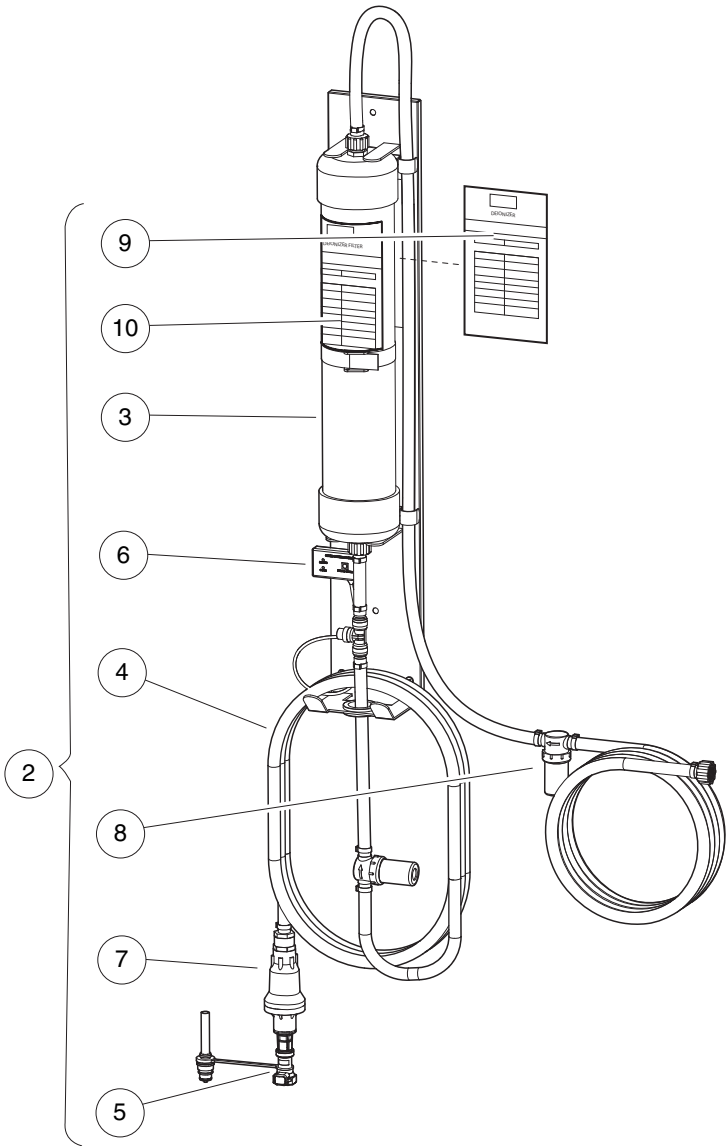
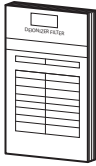
**E**



11



12



002523-003

# HAND PUMP AND DEIONIZER (BATTERY-POWERED QUALITY LIGHT)

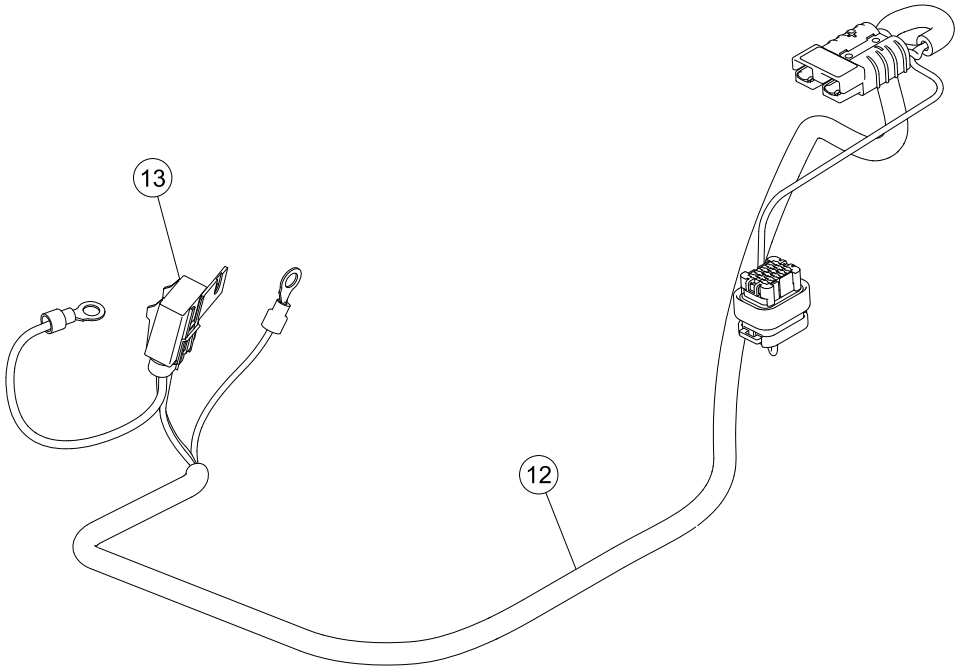
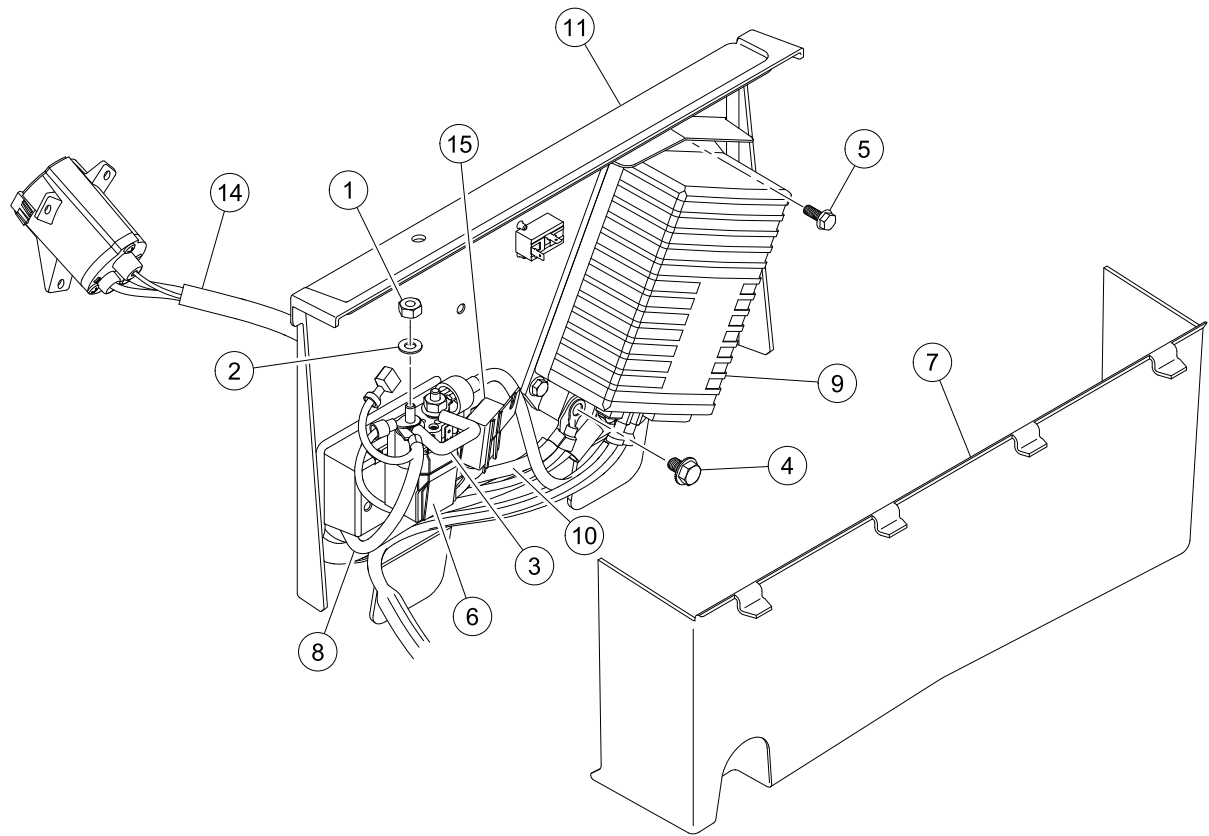
| ITEM | PART NO.  | DESCRIPTION  | QTY |
|------|-----------|--|-----|
|      |           | <b>1 2 3 4</b>   |     |
| 1    | 104006101 | Kit, Hand Pump, Spws .....   | 1   |
| 2    | 105166801 | Deionizer, w/Battery-Powered Water Quality Light (includes items 3 through 10) ..... | 1   |
| 3    | 104005901 | Cartridge, Deionizer .....   | 1   |
| 4    | 105166901 | Hose,outlet,deionizer .....  | 1   |
| 5    | 105167001 | Flow Ind, W/coupler, Deionizer .....   | 1   |
| 6    | 105167101 | Light, Quality, Battery-Powered, w/T-Fitting .....                                   | 1   |
| 7    | 105168501 | Regulator, Pressure, Deionizer .....   | 1   |
| 8    | 105168601 | Strainer, In-line, Deionizer .....   | 1   |
| 9    | AM1300001 | Decal, Filter Log, Blue .....  | 1   |
| 10   | AM1300201 | Decal, Inspect Log, Yellow .....   | 1   |
| 11   | AM1300101 | Decal, Filter Log, Blue, Pack of 100 .....   | A/R |
| 12   | AM1300301 | Decal, Inspect Log, Yellow, Pack of 100 .....  | A/R |

14

E

14

E



G-130499-000005

## CONTROLLER, SOLENOID AND WIRING

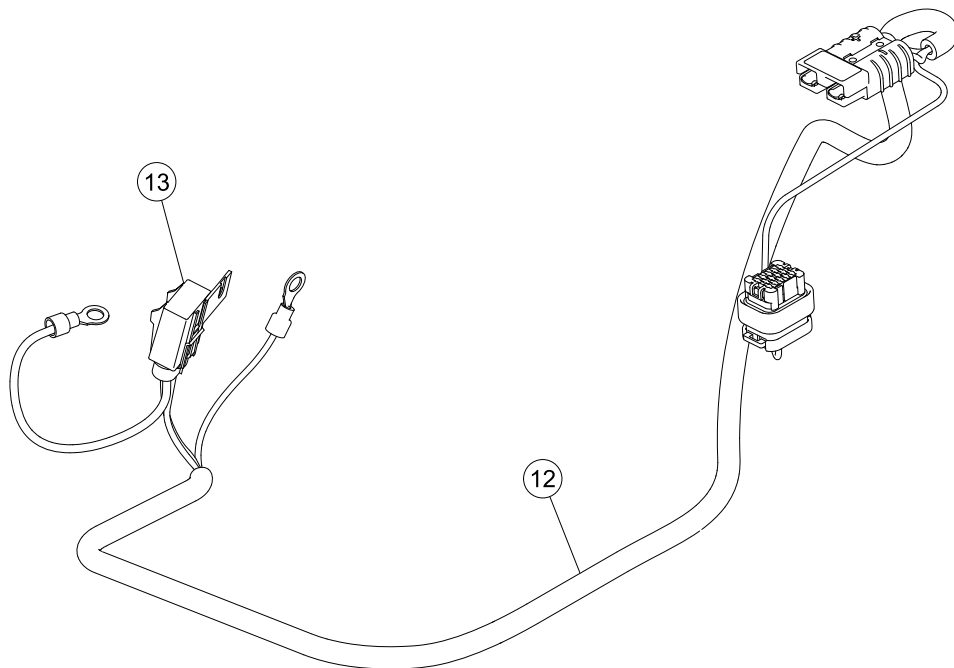
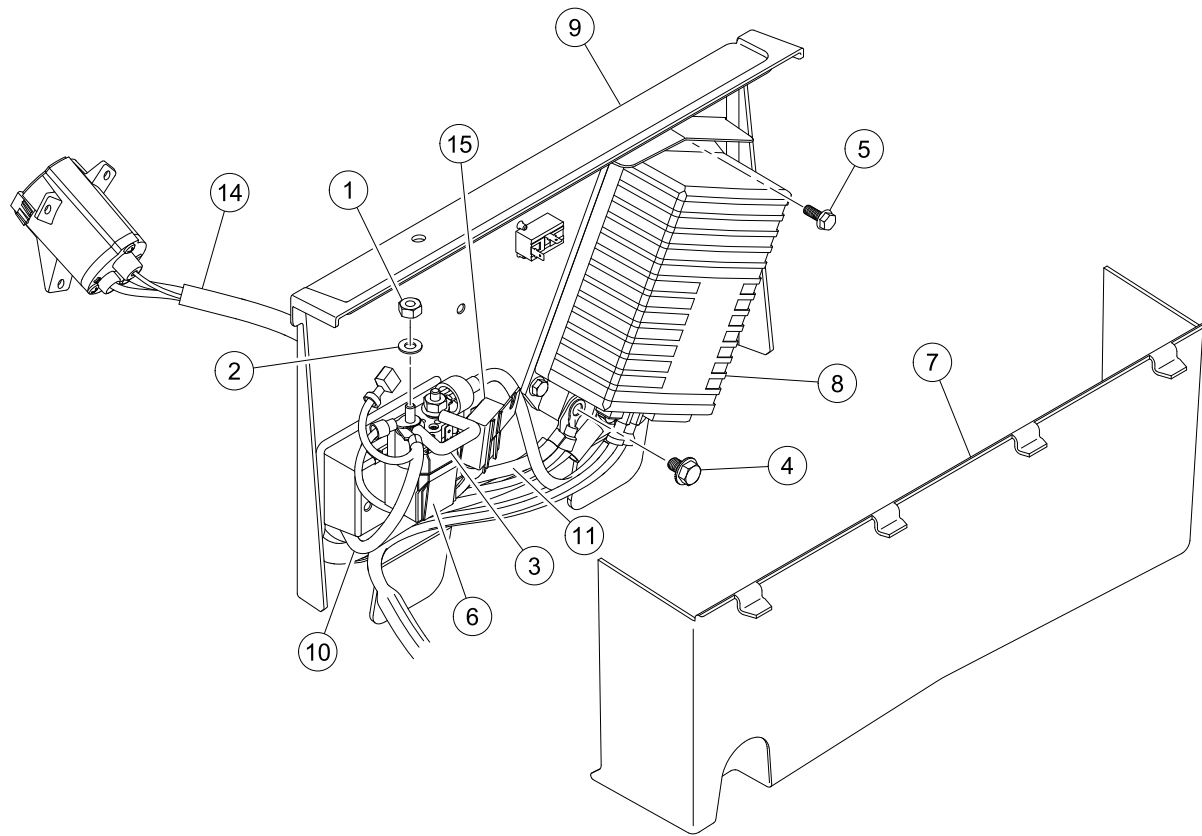
| ITEM | PART NO.  | DESCRIPTION   | QTY |
|------|-----------|---|-----|
|      |           | <b>1 2 3 4</b>  |     |
| 1    | 1012528   | Nut, M8-1.25 Hex .....  | 2   |
| 2    | 1013734   | Lockwasher, 8mm Split .....   | 2   |
| 3    | 1014947   | Resistor Assembly .....   | 1   |
| 4    | 102240501 | Bolt, Controller, Terminal .....  | 3   |
| 5    | 102296716 | Screw, M6 X 16 Tt Hx Fl Hd .....  | 3   |
| 6    | 102865901 | Solenoid 48v Slot Mt No Diode .....   | 1   |
| 7    | 103367901 | Shield - Controller .....   | 1   |
| 8    | 103375402 | Asm, Wire, Battery Positive, B+, Short, 6 Awg .....   | 1   |
| 9    | 103982301 | Controller, 1515, 250A, White .....   | 1   |
| 10   | 104024001 | Asm, Wire, Battery Negative, B-, w/ Accy Ground, 6 Awg .....  | 1   |
| 11   | 105005001 | Component Mounting Plate .....  | 1   |
| 12   | 105084301 | Harness, Wire, High-Freq Onboard Charger, 4-Pass (includes item 13) .....   | 1   |
| 13   | 102492301 | Fuse, 30-Amp .....  | 1   |
| 14   | 105137401 | Harness, Wire, Charger Receptacle (for Yellow DC Cord) (includes item 15) .....   | 1   |
| 15   | 102492301 | Fuse, 30-Amp .....  | 1   |
|      |           | Note: Item 12 is only applicable to four passenger vehicles with on-board<br>chargers. Replacement solenoid may vary in appearance from the original. |     |

14

E

14

E



G-130499-000006



## CONTROLLER, SOLENOID AND WIRING – LIFTED

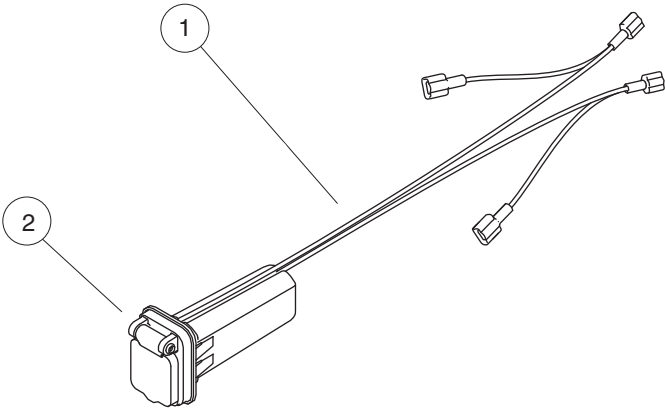
| ITEM | PART NO.  | DESCRIPTION  | QTY |
|------|-----------|--|-----|
|      |           | 1 2 3 4  |     |
| 1    | 1012528   | Nut, M8-1.25 Hex .....   | 2   |
| 2    | 1013734   | Lockwasher, 8mm Split .....  | 2   |
| 3    | 1014947   | Resistor Assembly .....  | 1   |
| 4    | 102240501 | Bolt, Controller, Terminal .....   | 3   |
| 5    | 102296716 | Screw, M6 X 16 Tt Hx Fl Hd .....   | 3   |
| 6    | 102774701 | Solenoid, 48v .....  | 1   |
| 7    | 103367901 | Shield - Controller .....  | 1   |
| 8    | 103982301 | Controller, 1515, 250A, White .....  | 1   |
| 9    | 105005001 | Component Mounting Plate .....   | 1   |
| 10   | 105065601 | Asm, Ev Batt Pos 4 Awg .....   | 1   |
| 11   | 105065701 | Wire, B- W/acc Gnd 4 Awg .....   | 1   |
| 12   | 105084301 | Harness, Wire, High-Freq Onboard Charger, 4-Pass (includes item 13) .....  | 1   |
| 13   | 102492301 | Fuse, 30-Amp .....   | 1   |
| 14   | 105137401 | Harness, Wire, Charger Receptacle (for Yellow DC Cord) (includes item 15) .....  | 1   |
| 15   | 102492301 | Fuse, 30-Amp .....   | 1   |
|      |           | Note: Item 12 is only applicable to four passenger vehicles with on-board chargers. Replacement solenoid may vary in appearance from the original. |     |

14

E

14

E



001286-002

# USB PORT KIT FOR ELECTRIC VEHICLES

| ITEM | PART NO.    | DESCRIPTION                                      | QTY |
|------|-------------|--|-----|
| 1    | 47604230001 | 1 2 3 4<br>Kit, USB, 48v (includes item 2) ..... | 1   |
| 2    | 47560030001 | USB Port .....                                   | 1   |

14

E

**14**

***E***

# ELECTRIC MOTOR

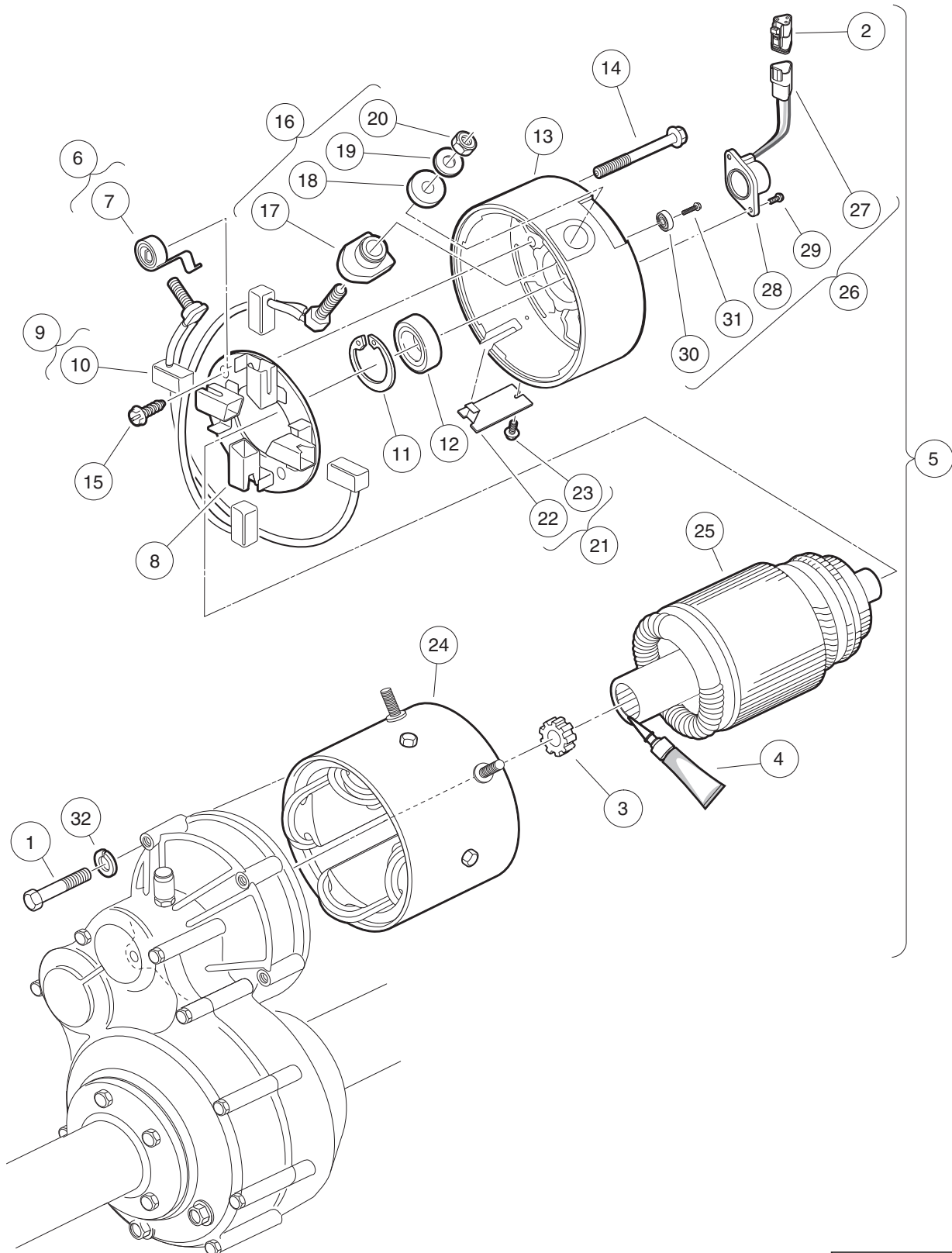
---

15

*E*

15

E



000185-002

# MOTOR (MODEL EJ8-4001A) – ELECTRIC VEHICLE

| ITEM  | PART NO.  | DESCRIPTION  | QTY |
|---|-----------|--|-----|
|   |           | <b>1 2 3 4</b>   |     |
| 1   | 1014201   | Screw, 1/4-20 X 2.25 Hex Cap .....                                   | 3   |
| 2   | 101920101 | Kit, 3-Pin Wedge Lock .....  | 1   |
| 3   | 102235201 | Bumper, Drive Unit .....   | 1   |
| 4   | 102243403 | Lubricant, Moly-Teflon (Single-Use Tube) .....                       | 1   |
| 5   | 103572501 | IQ Electric Motor, 48-VDC 3.3 hp (includes items 6 through 26) ..... | 1   |
| 6   | 102186001 | Spring Kit, Motor Brush (includes item 7) .....                      | 1   |
| 7   | N/A       | Spring, Brush, S-g .....   | 4   |
| 8   | 102186101 | Brush Box Assembly .....   | 1   |
| 9   | 102186201 | Brush Kit, Motor (includes item 10) .....                            | 1   |
| 10  | N/A       | Assembly, Brush and Terminal .....                                   | 2   |
| 11  | N/A       | Ring, 2.24" Internal Retaining .....                                 | 1   |
| 12  | 102186401 | Bearing, Ball .....  | 1   |
| 13  | 102186701 | End Cap, Motor .....   | 1   |
| 14  | N/A       | Screw, 1/4-20 X 2.25 Hex-Head Washer .....                           | 2   |
| 15  | 102186901 | Screw, #8-32 X .5 Hex-Head .....                                     | 2   |
| 16  | 102187101 | Hardware Kit, Motor Terminal (includes items 17 through 20) .....    | 2   |
| 17  | N/A       | Bushing, Nylon .....   | 2   |
| 18  | N/A       | Washer, Nylon Flat .....   | 2   |
| 19  | N/A       | Washer, Flat, 5/16 Steel .....                                       | 2   |
| 20  | N/A       | Nut, Brass Hex, 5/16 - 18 .....                                      | 2   |
| 21  | 102187201 | Plate Kit, Motor Cover (includes items 22 and 23) .....              | 1   |
| 22  | N/A       | Assembly, Cover Plate .....  | 1   |
| 23  | N/A       | Screw, #8-32 x 0.375, Taptite Thread .....                           | 1   |
| 24  | 102704701 | Frame and Field Assembly .....                                       | 1   |
| 25  | 102704801 | Armature Assembly .....  | 1   |
| 26  | 102704901 | Kit, Speed Sensor (includes items 27 through 31) .....               | 1   |
| 27  | 101942301 | Kit, 3-Pin Wedge Lock .....  | 1   |
| 28  | N/A       | Sensor, Motor Speed, ADC .....                                       | 1   |
| 29  | N/A       | Screw, #8-32, Taptite Thread .....                                   | 2   |
| 30  | N/A       | Magnet, ADC Motor .....  | 1   |
| 31  | N/A       | Screw, 1/4-20 x 0.5 .....  | 1   |
| 32  | 451       | Lockwasher, 1/4 Split .....  | 3   |
| Note: The F1 and F2 terminal posts on the EJ8-4001A motor have 1/4 - 20 |           |  |     |

15

E

**15**

***E***

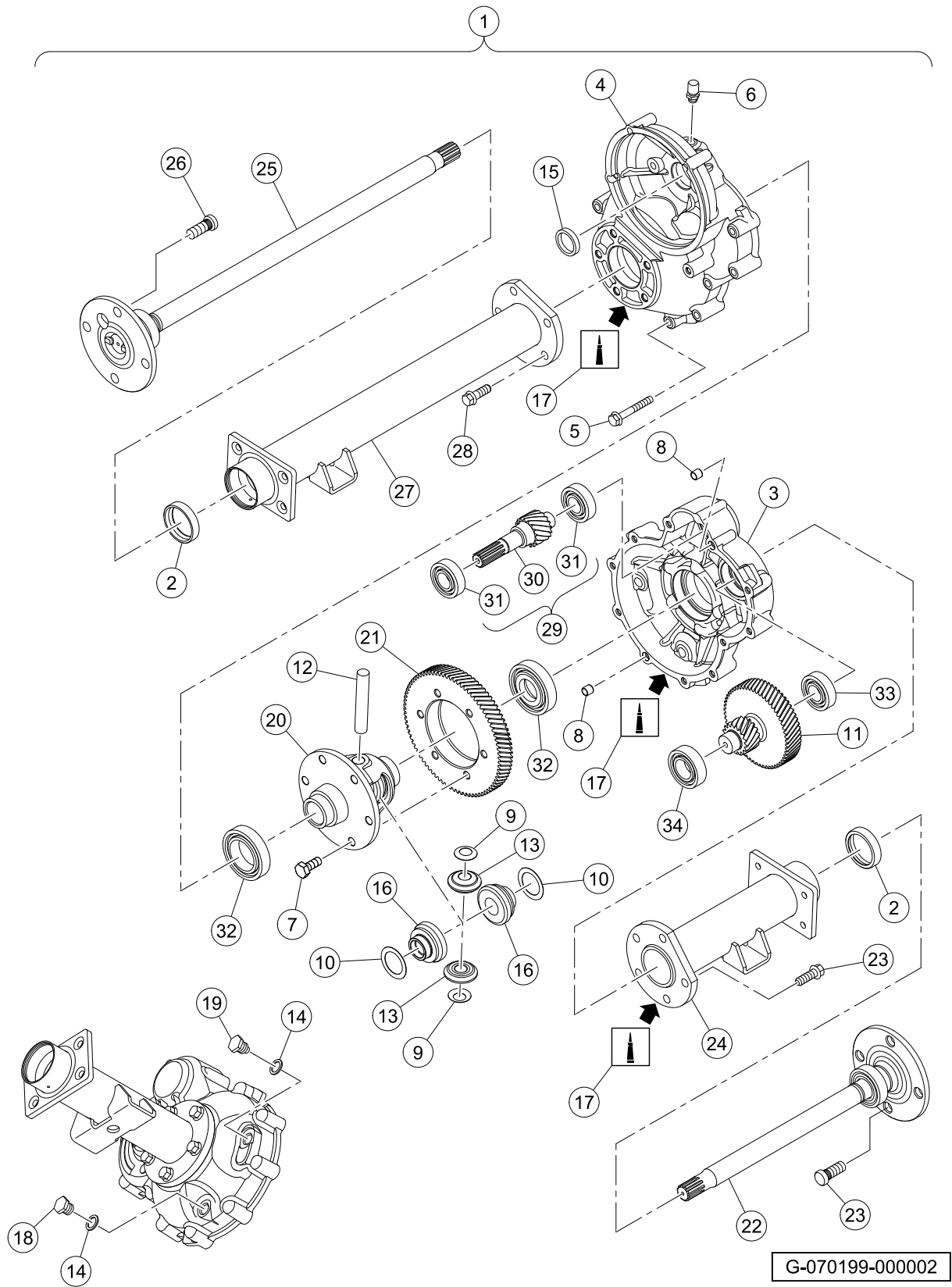


# TRANSAXLE – ELECTRIC VEHICLES

---

16

*E*



# TRANSAXLE – ELECTRIC VEHICLES

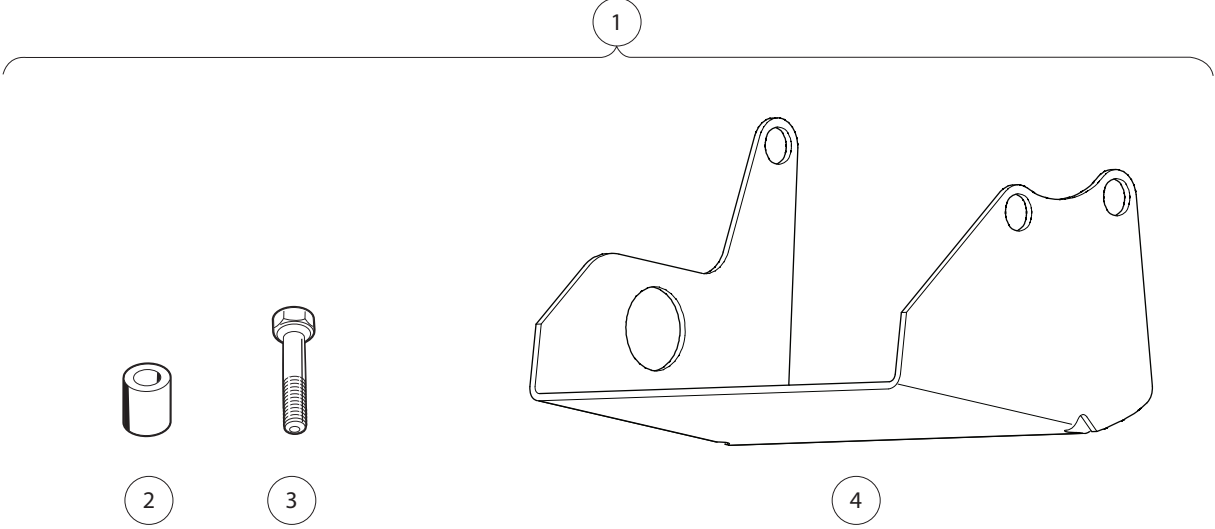
| ITEM   | PART NO.  | DESCRIPTION   | QTY |
|--|-----------|---|-----|
|  |           | <b>1 2 3 4</b>  |     |
| 1  | 102771701 | Transaxle, Electric (includes items 2 through 34) .....     | 1   |
| 2  | 1013794   | Axle Shaft Oil Seal .....                                   | 2   |
| 3  | 101895401 | Gear Case, Driver-Side .....                                | 1   |
| 4  | 101895501 | Gear Case, Passenger-Side .....                             | 1   |
| 5  | 101897001 | Screw, M8-1.25 X 60mm Hex-Head .....                        | 11  |
| 6  | 101897201 | Breather .....  | 1   |
| 7  | 101897401 | Screw, M10-1.25 X 25mm .....                                | 6   |
| 8  | 101897601 | Pin, 11mm OD X 8.5mm ID X 10mm .....                        | 2   |
| 9  | 101903601 | Washer, Thrust .....  | 2   |
| 10   | 101903701 | Washer, Thrust .....  | 2   |
| 11   | 101906901 | Intermediate Shaft Assembly .....                           | 1   |
| 12   | 101922101 | Pin, 15.99mm X 88.7mm Dowel .....                           | 1   |
| 13   | 101923001 | Gear, Differential Idler .....                              | 2   |
| 14   | 101923201 | Gasket .....  | 2   |
| 15   | 101923501 | Seal, Lip .....   | 1   |
| 16   | 101923901 | Gear, Differential .....                                    | 2   |
| 17   | 101928701 | Liquid Gasket (Transaxle case) .....                        | 1   |
| 18   | 101972101 | Plug, M14-1.5 X 12mm Magnetic .....                         | 1   |
| 19   | 101972201 | Plug, M14-1.5 X 12mm Hex .....                              | 1   |
| 20   | 102356601 | Housing, Differential, 6 Bolt .....                         | 6   |
| 21   | 102356801 | Gear, Differential Output, 6-Bolt .....                     | 6   |
| 22   | 102886301 | Axle Assembly, Driver-Side (includes item 23) .....         | 1   |
| 23   | 101922201 | Lug Stud .....  | 4   |
| 24   | 102886401 | Tube, Axle, Driver-Side .....                               | 1   |
| 25   | 102886501 | Axle Assembly, Passenger-Side (includes item 26) .....      | 1   |
| 26   | 101922201 | Lug Stud .....  | 4   |
| 27   | 102886601 | Tube, Axle, Passenger-Side .....                            | 1   |
| 28   | 102902801 | Screw, M10 X 30 .....                                       | 10  |
| 29   | 103582801 | Asm, E Trans Shaft/bearing (includes items 30 and 31) ..... | 1   |
| 30   | N/A       | Shaft, Input .....  | 1   |
| 31   | 7335      | Bearing .....   | 2   |
| 32   | 7330      | Inner Axle Tube Bearing .....                               | 2   |
| 33   | 7335      | Bearing .....   | 1   |
| 34   | 7336      | Bearing .....   | 1   |
| Note: Item 34 beaing OD is 2.047 inches (52 mm). Item 33 bearing OD is 1.850 inches (47 mm). |           |   |     |

16

E

16

E



000365-002

## DIFFERENTIAL GUARD – ELECTRIC VEHICLES

| ITEM | PART NO.  | DESCRIPTION   | QTY |
|------|-----------|---|-----|
|      |           | 1 2 3 4   |     |
| 1    | 101611402 | Kit, Differential Guard, Elec Vehicles (includes items 2 through 4) ..... | 1   |
| 2    | 101914001 | Spacer, Steel .....   | 2   |
| 3    | 101936101 | Screw, M10-1.50 X 60mm Hex Cap .....                                      | 2   |
| 4    | 101978601 | Guard, Differential, Electric Vehicle Transaxle .....                     | 1   |

16

E

**16**

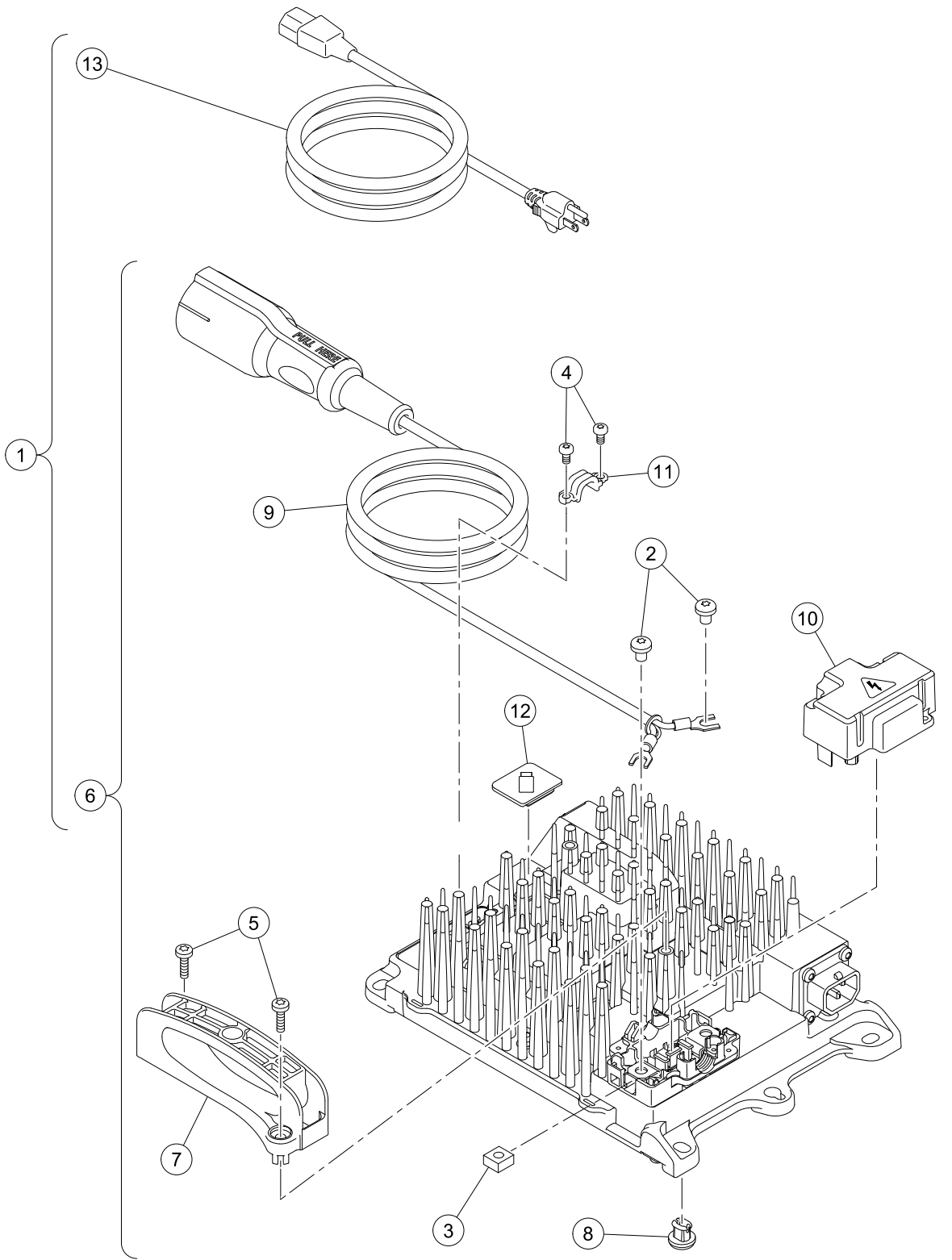
***E***

# BATTERY CHARGERS – HIGH-FREQUENCY

---

17

*E*



G-130899-000011

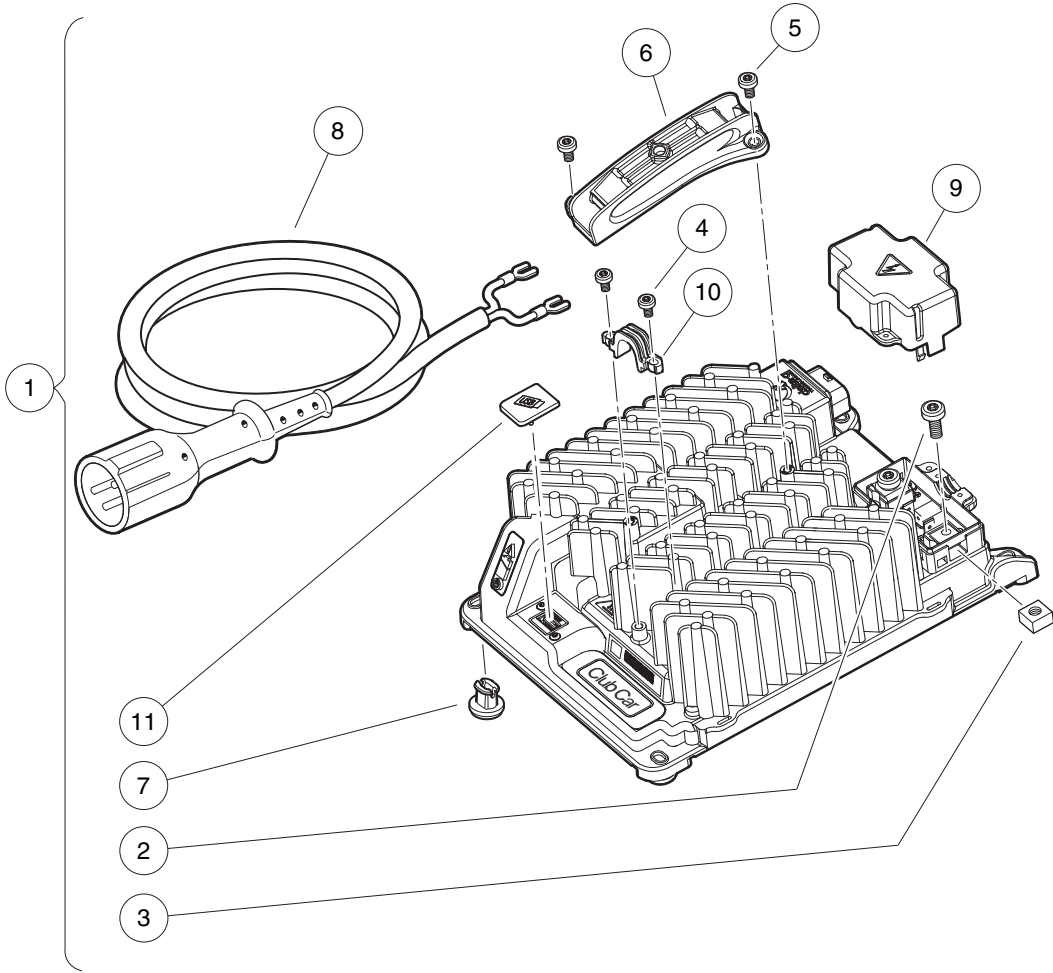


# JCI BATTERY CHARGER, HIGH-FREQUENCY – U.S./CANADA

| ITEM  | PART NO.    | DESCRIPTION  | QTY |
|---|-------------|--|-----|
|   |             | <b>1 2 3 4</b>   |     |
| 1   | 105095201   | Charger, High-Freq, Service, 9ft Yel DC, 6ft AC, US/Canada (includes items 2 through 12) | 1   |
| 2   | 104024501   | Screw, M6, Torx Head .....   | 2   |
| 3   | 104024601   | Nut, M6, Square, Captured .....  | 2   |
| 4   | 104028901   | Screw, M4 X .70, Pan Hd, Torx .....  | 2   |
| 5   | 104029001   | Screw, M5 X .80, Pan Hd, Torx .....  | 2   |
| 6   | 104029601   | Charger, Asm, High-Freq, 9ft (2.74 m) Yellow DC Cord .....                               | 1   |
| 7   | 105003601   | Handle, Charger, High-Freq .....   | 1   |
| 8   | 105003701   | Foot, Charger, High-Freq .....   | 4   |
| 9   | 105070101   | Cord, DC, Yellow, 9ft (2.74 m) .....   | 1   |
| 10  | 105092301   | Cover, DC Terminal Block, High-Freq Charger .....  | 1   |
| 11  | 105093101   | Strain Relief, High-Freq, External, Charger .....  | 1   |
| 12  | 105123801   | Cover, USB .....   | 1   |
| 13  | 47606837002 | Cord, Ac, lec320, 6Us' .....   | 1   |
| <p>Note: This charger includes both an AC cord and DC cord. For additional cord lengths that may be used with this charger, see the Battery Charger Cords page.</p> |             |  |     |

**17**

**E**



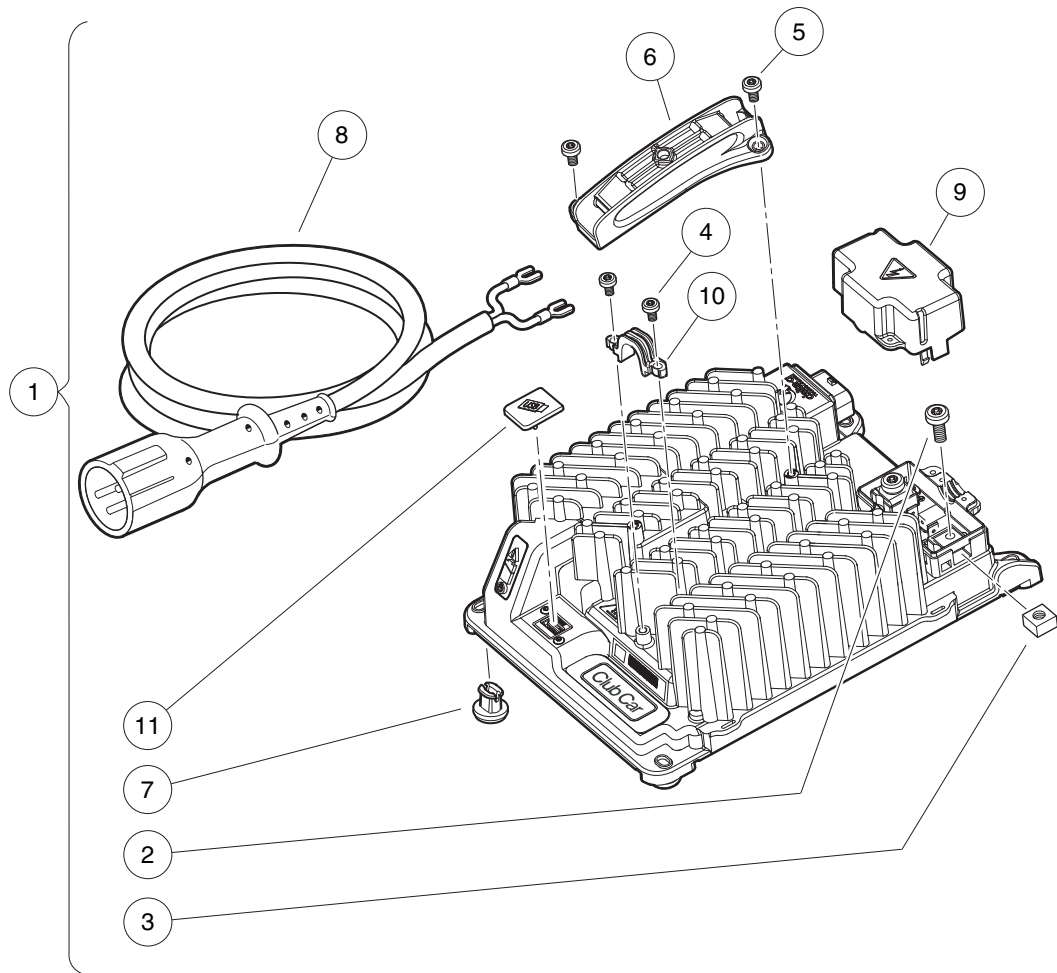
000610-003

# BATTERY CHARGER, HIGH-FREQ., 2.74 M DC CORD – GLOBAL

| ITEM | PART NO.  | DESCRIPTION  | QTY |
|------|-----------|--|-----|
|      |           | <b>1 2 3 4</b>   |     |
| 1    | 104029601 | Charger, Asm, High-Freq, 9ft (2.74 m) Yellow DC Cord (includes items 2 through 11) .....   | 1   |
| 2    | 104024501 | Screw, M6, Torx Head .....   | 2   |
| 3    | 104024601 | Nut, M6, Square, Captured .....  | 2   |
| 4    | 104028901 | Screw, M4 X .70, Pan Hd, Torx .....  | 2   |
| 5    | 104029001 | Screw, M5 X .80, Pan Hd, Torx .....  | 2   |
| 6    | 105003601 | Handle, Charger, High-Freq .....   | 1   |
| 7    | 105003701 | Foot, Charger, High-Freq .....   | 4   |
| 8    | 105070101 | Cord, DC, Yellow, 9ft (2.74 m) .....   | 1   |
| 9    | 105092301 | Cover, DC Terminal Block, High-Freq Charger .....  | 1   |
| 10   | 105093101 | Strain Relief, High-Freq, External, Charger .....  | 1   |
| 11   | 105123801 | Cover, USB .....   | 1   |
|      |           | <br>Note: This charger does not include the AC cord. To complete the charger, choose the appropriate type and length of AC cord found on the Battery Charger Cords page. |     |

**17**

**E**



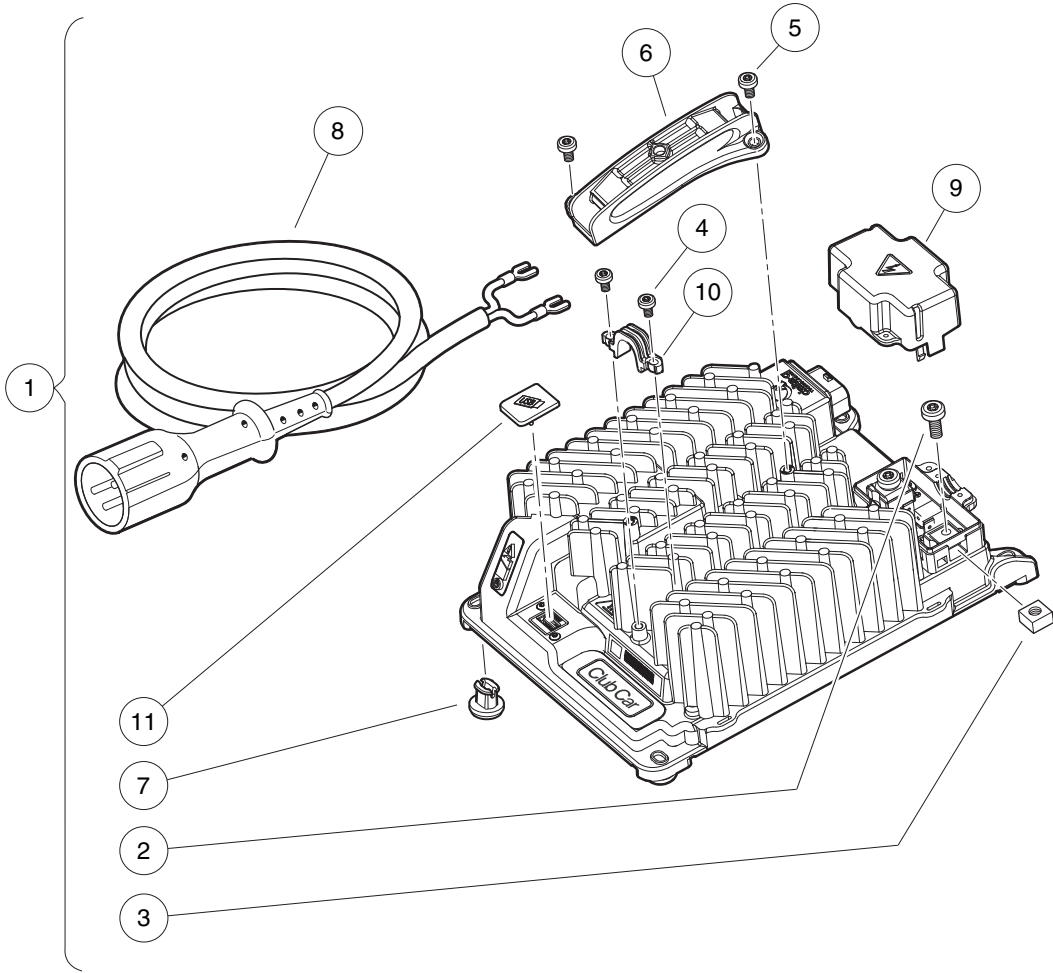
000610-003

# BATTERY CHARGER, HIGH-FREQ., 3.66 M DC CORD – GLOBAL

| ITEM | PART NO.  | DESCRIPTION  | QTY |
|------|-----------|--|-----|
|      |           | <b>1 2 3 4</b>   |     |
| 1    | 104029602 | Charger, Asm, High-Freq, 12ft (3.66 m) Yellow DC Cord (includes items 2 through 11) ..   | 1   |
| 2    | 104024501 | Screw, M6, Torx Head .....   | 2   |
| 3    | 104024601 | Nut, M6, Square, Captured .....  | 2   |
| 4    | 104028901 | Screw, M4 X .70, Pan Hd, Torx .....  | 2   |
| 5    | 104029001 | Screw, M5 X .80, Pan Hd, Torx .....  | 2   |
| 6    | 105003601 | Handle, Charger, High-Freq .....   | 1   |
| 7    | 105003701 | Foot, Charger, High-Freq .....   | 4   |
| 8    | 105070102 | Cord, DC, Yellow, 12ft (3.66 m) .....  | 1   |
| 9    | 105092301 | Cover, DC Terminal Block, High-Freq Charger .....  | 1   |
| 10   | 105093101 | Strain Relief, High-Freq, External, Charger .....  | 1   |
| 11   | 105123801 | Cover, USB .....   | 1   |
|      |           | <br>Note: This charger does not include the AC cord. To complete the charger, choose the appropriate type and length of AC cord found on the Battery Charger Cords page. |     |

**17**

**E**



000610-003

# BATTERY CHARGER, HIGH-FREQ., 6.1 M DC CORD – GLOBAL

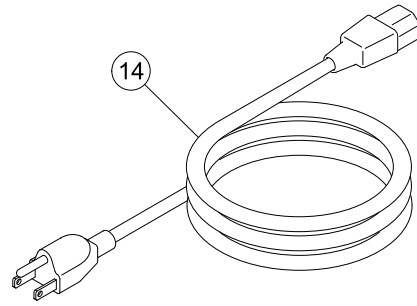
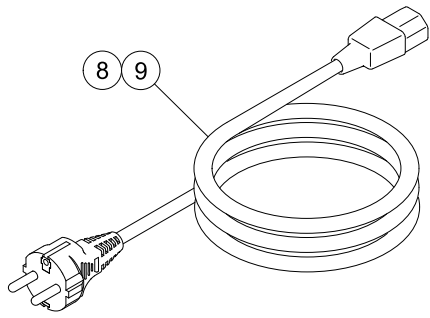
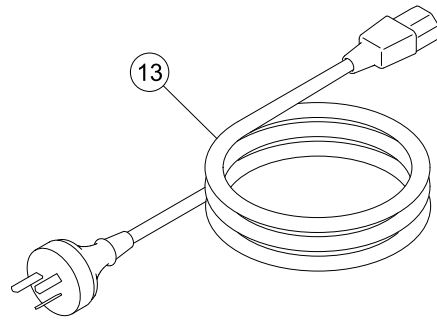
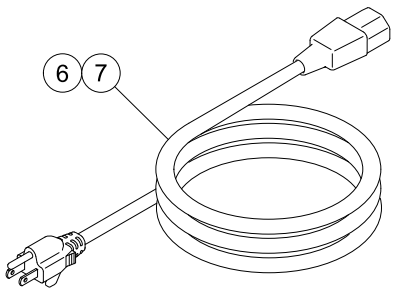
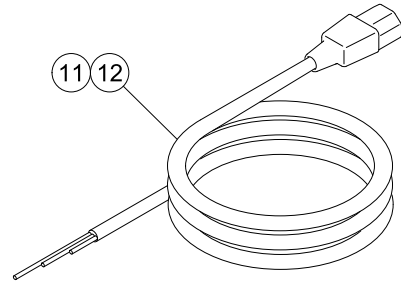
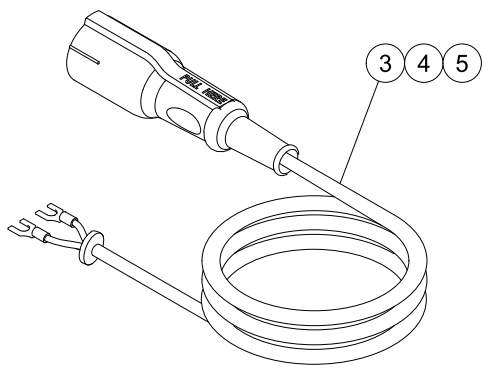
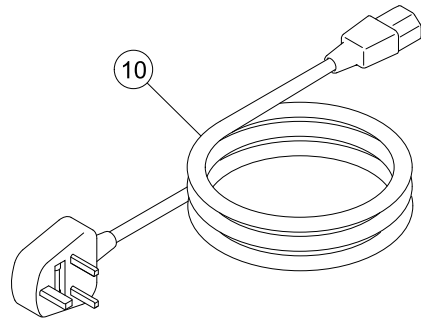
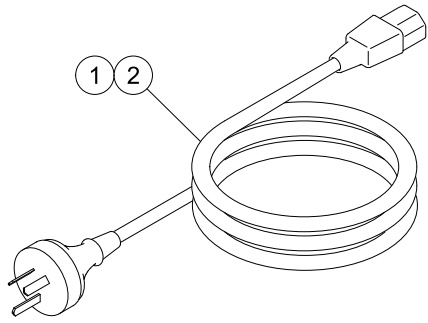
| ITEM | PART NO.  | DESCRIPTION  | QTY |
|------|-----------|--|-----|
|      |           | <b>1 2 3 4</b>   |     |
| 1    | 104029603 | Charger, Asm, High-Freq, 20ft (6.1 m) Yellow DC Cord (includes items 2 through 11) .....   | 1   |
| 2    | 104024501 | Screw, M6, Torx Head .....   | 2   |
| 3    | 104024601 | Nut, M6, Square, Captured .....  | 2   |
| 4    | 104028901 | Screw, M4 X .70, Pan Hd, Torx .....  | 2   |
| 5    | 104029001 | Screw, M5 X .80, Pan Hd, Torx .....  | 2   |
| 6    | 105003601 | Handle, Charger, High-Freq .....   | 1   |
| 7    | 105003701 | Foot, Charger, High-Freq .....   | 4   |
| 8    | 105070103 | Cord, DC, Yellow, 20ft (6.1 m) .....   | 1   |
| 9    | 105092301 | Cover, DC Terminal Block, High-Freq Charger .....  | 1   |
| 10   | 105093101 | Strain Relief, High-Freq, External, Charger .....  | 1   |
| 11   | 105123801 | Cover, USB .....   | 1   |
|      |           | <br>Note: This charger does not include the AC cord. To complete the charger, choose the appropriate type and length of AC cord found on the Battery Charger Cords page. |     |

**17**

**E**

17

E



G-130899-000012



## CORDS – BATTERY CHARGER, HIGH-FREQUENCY

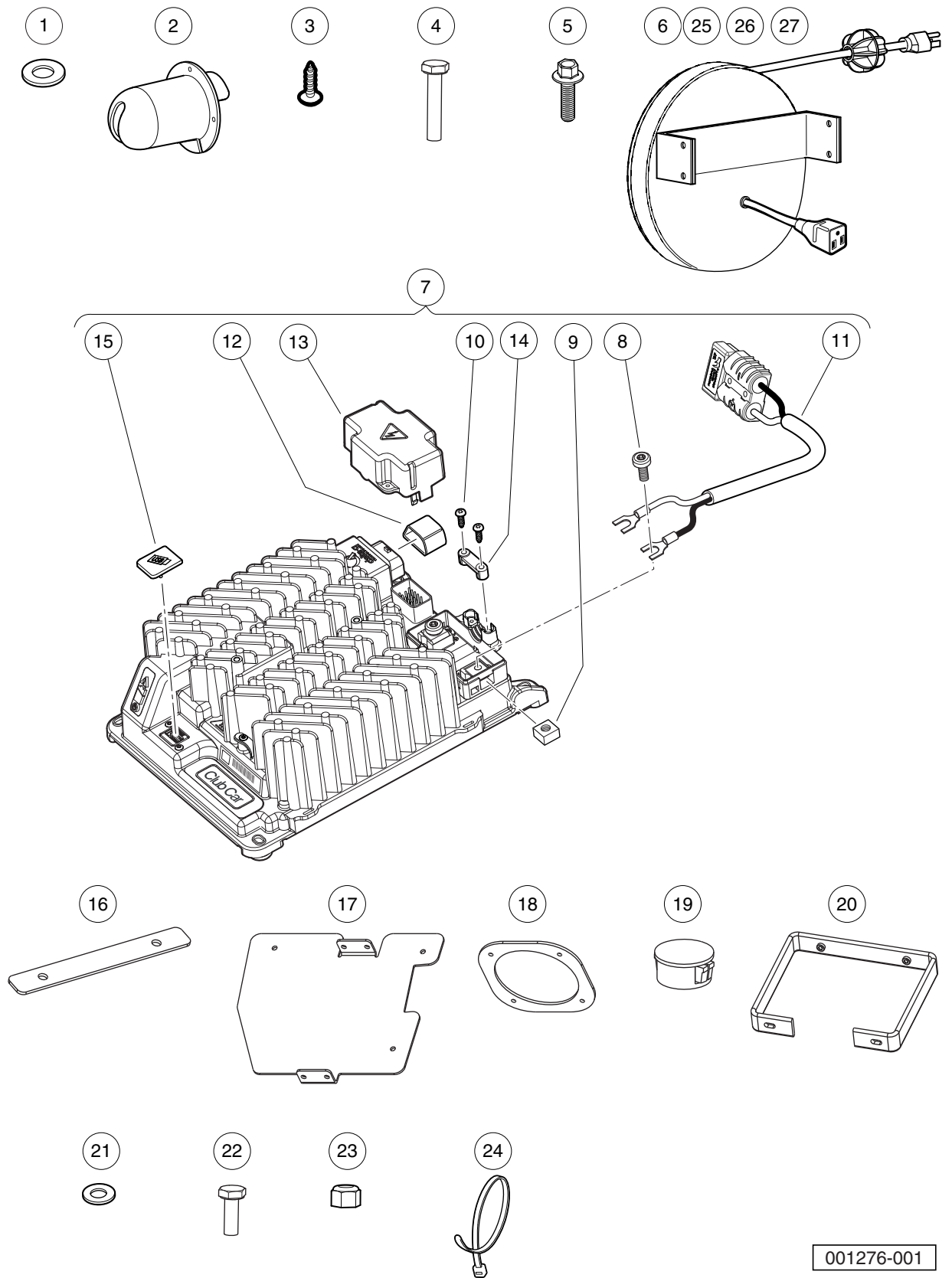
| ITEM | PART NO.    | DESCRIPTION                                 | QTY |
|------|-------------|---|-----|
|      |             | 1 2 3 4                                     |     |
| 1    | 105068201   | Cord, AC, lec320, 6ft (1.83 m), China ..... | A/R |
| 2    | 105068202   | Cord, AC, lec320, 9ft (2.74 m), China ..... | A/R |
| 3    | 105070101   | Cord, DC, Yellow, 9ft (2.74 m) .....        | A/R |
| 4    | 105070102   | Cord, DC, Yellow, 12ft (3.66 m) .....       | A/R |
| 5    | 105070103   | Cord, DC, Yellow, 20ft (6.1 m) .....        | A/R |
| 6    | 47606837001 | Cord, Ac, lec320, 9Us' .....                | A/R |
| 7    | 47606837002 | Cord, Ac, lec320, 6Us' .....                | A/R |
| 8    | 47612314001 | Cord, Ac, lec320, 6, Eu' .....              | A/R |
| 9    | 47612314002 | Cord, Ac, lec320, 9, Eu' .....              | A/R |
| 10   | 47612315002 | Cord, Ac, lec320, 9, Gb' .....              | A/R |
| 11   | 47612316001 | Cord, Ac, lec320, 6, Non-term' .....        | A/R |
| 12   | 47612316002 | Cord, Ac, lec320, 9, Non-term' .....        | A/R |
| 13   | 47612317002 | Cord, Ac, lec320, 9, Australi' .....        | A/R |
| 14   | 47612318002 | Cord, ac, lec320, 9, Japan' .....           | A/R |

17

E

17

E



001276-001

# BATTERY CHARGER, HIGH-FREQUENCY – ONBOARD

| ITEM | PART NO.  | DESCRIPTION  | QTY |
|------|-----------|--|-----|
|      |           | <b>1 2 3 4</b>   |     |
| 1    | 1014306   | Washer, 1/4" Type B Flat .....                                       | 3   |
| 2    | 1016673   | Housing, Cord Reel .....   | 1   |
| 3    | 101832001 | Screw, #7-19 X 0.625 Phillips Pan-Head Tap .....                     | 4   |
| 4    | 101861901 | Screw, 1/4-20 X 1.125 Hex Cap .....                                  | 4   |
| 5    | 102541401 | Bolt-m6x1.0x20 Hex Flhd Blk-I .....                                  | 4   |
| 6    | 103872701 | Cord Reel, Hf Charger .....  | 1   |
| 7    | 105083001 | Charger, Asm, High-Freq, Onboard (includes items 8 through 15) ..... | 1   |
| 8    | 104024501 | Screw, M6, Torx Head .....   | 2   |
| 9    | 104024601 | Nut, M6, Square, Captured .....                                      | 2   |
| 10   | 104029301 | Screw, M3x1.5, Plastic Tapping .....                                 | 2   |
| 11   | 105084401 | Cord, DC, Onboard .....  | 1   |
| 12   | 105086801 | Sleeve, lec 320 C14 .....  | 1   |
| 13   | 105092301 | Cover, DC Terminal Block, High-Freq Charger .....                    | 1   |
| 14   | 105094101 | Strain Relief, DC Block, High-Freq, Onboard, Charger .....           | 1   |
| 15   | 105123801 | Cover, USB .....   | 1   |
| 16   | 105299001 | Plate, Charger, Mtg, Ubdy .....                                      | 2   |
| 17   | 105299101 | Plate, Cord Reel, Mtg, Unbody .....                                  | 1   |
| 18   | 105299601 | Plate, Backing, Charge Port .....                                    | 1   |
| 19   | 105300801 | Plug, Push In, 61/64" Diameter .....                                 | 1   |
| 20   | 105315201 | Asm, Bracket, Obc Eric Mount .....                                   | 2   |
| 21   | 332       | Washer, 1/4 Type A Narrow Flat .....                                 | 8   |
| 22   | 7847      | Screw, 1/4-20 X 0.75 Hex-Head Cap .....                              | 7   |
| 23   | 8233      | Locknut, 1/4-20, Nylon Insert .....                                  | 4   |
| 24   | 8990      | Tie Wrap, 8" Nylon .....   | 1   |
| 25   | SVP738601 | Cord Reel Retract 3ft 14ga Uk .....                                  | 1   |
| 26   | SVP738701 | Cord Reel Retract 3ft 14ga Eu .....                                  | 1   |
| 27   | SVP738801 | Cord Reel Retract 3ft 14ga Aus .....                                 | 1   |

**17**

**E**

17

*E*

# MAINTENANCE AND SERVICE TOOLS

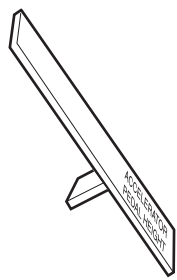
---

18

G

E

**18**  
**G**  
**E**



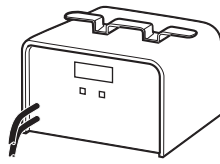
1



2



3



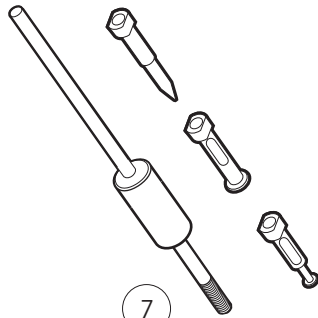
4



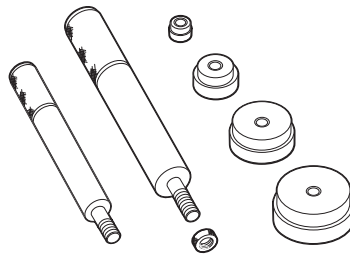
5



6



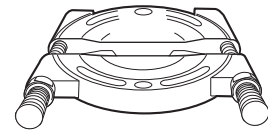
7



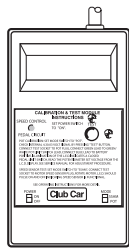
8



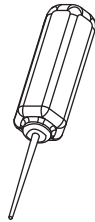
9



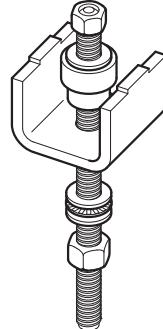
10



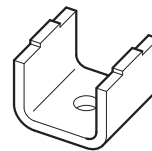
11



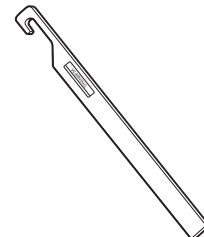
12



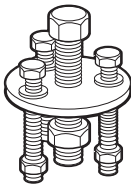
13



14



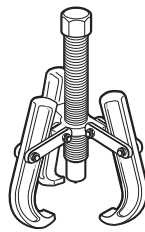
15



16



17



18



19

001060-003

# MAINTENANCE AND SERVICE TOOLS

| ITEM | PART NO.    | DESCRIPTION   | QTY<br>GAS | QTY<br>ELEC |
|------|-------------|---|------------|-------------|
|      |             | <p><b>1 2 3 4</b></p> <p>The following tool list includes all tools available from Club Car for maintenance and service procedures for gasoline and electric golf and utility vehicles. Be sure to carefully examine the tool list for applicability to your vehicle before ordering.</p> |            |             |
| 1    | 101871001   | Accelerator Pedal Adjustment Tool (Utility Vehicles).....   | 1          | 1           |
| 2    | 101813202   | Adhesive, Guide Ring, 3-Gram Tube .....   |            | 1           |
| 3    | 101641202   | Arbor .....   | 1          |             |
| 4    | 101831901   | Battery Discharge Machine, 36/48 Volt .....   |            | 1           |
| 5    | 1014305     | Battery Terminal Protector Spray .....  | 1          | 1           |
| 6    | 1011767     | Battery Thermometer .....   | 1          | 1           |
| 7    | 1016417     | Bearing and Oil Seal Remover Assembly .....   | 1          | 1           |
| 8    | 1016416     | Bearing Driver Set .....  | 1          | 1           |
| 9    | 1012811     | Bearing Puller .....  | 1          | 1           |
| 10   | 1012812     | Bearing Puller Wedge Attachment .....   | 1          | 1           |
| 11   | 101887101   | Calibration Test Module .....   |            | 1           |
| 12   | 102562401   | Charger Bezel Tool .....  |            | 1           |
|      |             | Clutch Tools (items 13 - 19) .....  | 1          |             |
| 13   | 47568549001 | Driven Clutch Tool .....  | 1          |             |
| 14   | 47568246001 | Plate, Cam Press (supplied with item 13).....   | 1          |             |
| 15   | 105072501   | Drive Clutch Holder Tool Assembly .....   | 1          |             |
| 16   | 1014497     | Drive Clutch Hub Puller .....   | 1          |             |
| 17   | 1014496     | Drive Clutch Puller .....   | 1          |             |
| 18   | 1014508     | Driven Clutch Cam Puller .....  | 1          |             |
| 19   | 1014507     | Driven Clutch Puller Plug .....   | 1          |             |
|      |             | <p>Please refer to the maintenance and service manual for proper tool application.</p>  |            |             |

**18**

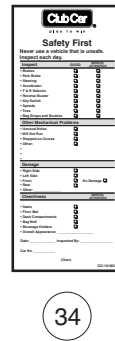
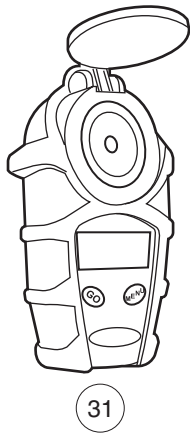
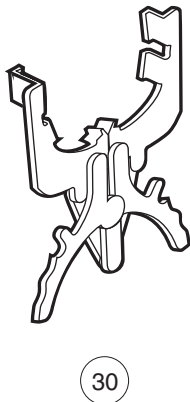
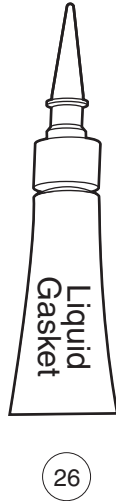
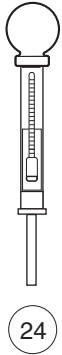
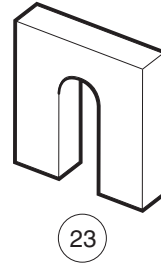
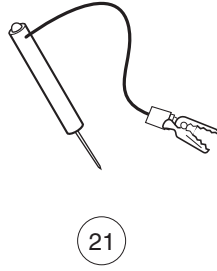
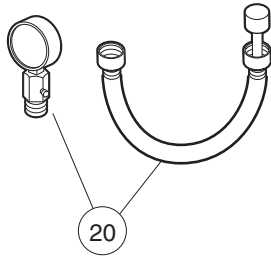
**G**

**E**

18

G

E



001061-003



## MAINTENANCE AND SERVICE TOOLS, CONTINUED

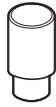
| ITEM | PART NO.  | DESCRIPTION  | QTY<br>GAS | QTY<br>ELEC |
|------|-----------|--|------------|-------------|
|      |           | <b>1 2 3 4</b>   |            |             |
| 20   | 101641002 | Compression Gauge and Adapter .....  | 1          |             |
| 21   | 1011273   | Continuity Tester .....  | 1          | 1           |
| 22   | 1012151   | Dry Moly Lubricant .....   | 1          | 1           |
| 23   | 1016418   | Gear Yoke .....  | 1          | 1           |
| 24   | 1011478   | Hydrometer .....   | 1          | 1           |
| 25   | 1013593   | Internal Retaining Ring Pliers .....   | 1          | 1           |
| 26   | 101928701 | Liquid Gasket (transaxle case) .....   | 1          | 1           |
| 27   | 102243402 | Moly-Teflon Lubricant (4-oz. (113-gram) tube) .....                                |            | 1           |
| 28   | 102587201 | Paint Pen, Touch-Up, Underbody ,Black .....  | 1          | 1           |
| 29   | 1016414   | Piston Ring Compressor Kit .....   | 1          |             |
| 30   | 1016415   | Piston Ring Pliers .....   | 1          |             |
| 31   | AM1285701 | Refractometer .....  | 1          | 1           |
| 32   | 1012549   | Retaining Ring Pliers, 45 External .....   | 1          | 1           |
| 33   | 1012560   | Retaining Ring Pliers, 90 Internal .....   | 1          | 1           |
| 34   | 101823101 | Safety First Card (50 per pack) .....  | 1          | 1           |
| 35   | 1012809   | Seal Puller .....  | 1          | 1           |
|      |           | Please refer to the maintenance and service manual<br>for proper tool application. |            |             |

**18**  
**G**  
**E**

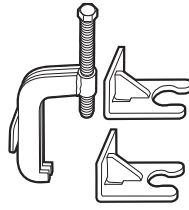
**18**  
**G**  
**E**



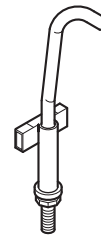
36



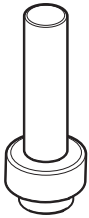
37



38



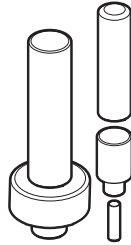
39



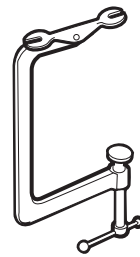
40



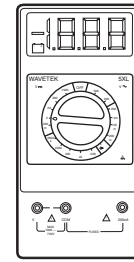
41



42



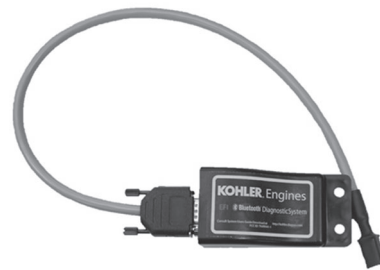
43



44



45



46



47

001062-002

## MAINTENANCE AND SERVICE TOOLS, CONTINUED

| ITEM | PART NO.    | DESCRIPTION  | QTY<br>GAS | QTY<br>ELEC |
|------|-------------|--|------------|-------------|
|      |             | <b>1 2 3 4</b>   |            |             |
| 36   | 1014264     | Steering Column Bearing Press Tool .....   | 1          | 1           |
| 37   | 1014259     | Steering Column Retaining Ring Tool .....  | 1          | 1           |
| 38   | 102061201   | Steering Wheel Puller Tool .....   | 1          | 1           |
| 39   | 102570401   | Tool, Tensioning, Starter Generator .....  | 1          |             |
| 40   | 1014162     | Transaxle Axle Seal Tool .....   |            | 1           |
| 41   | 1014161     | Transaxle Pinion Seal Tool .....   |            | 1           |
| 42   | 1014115     | Transmission Tool Kit .....  |            | 1           |
| 43   | 101641101   | Valve Spring Compressor .....  | 1          |             |
| 44   | 1011480     | Volt Ohm Meter .....   | 1          | 1           |
| 45   | 47631025001 | Kit, EFI Diagnostics .....   | 1          |             |
| 46   | 47631026001 | Kit, Bluetooth EFI Diagnostics .....   | 1          |             |
| 47   | 47631075001 | Kit, EFI Tool .....  | 1          |             |
|      |             | Please refer to the maintenance and service manual<br>for proper tool application. |            |             |

**18**

**G**

**E**



# INDEX

## Part Number and Page

|            |  |         |                  |           |                               |
|------------|--|---------|------------------|-----------|-------------------------------|
| AM10079    | 4-9, 4-13  | 1011415 | 6-15, 6-17, 6-21 | 1014201   | 15-3                          |
| AM10092    | 1-67   | 1011478 | 18-5             | 1014259   | 18-7                          |
| AM10419    | 12-9   | 1011480 | 18-7             | 1014264   | 18-7                          |
| AM1289701  | 7-11   | 1011553 | 1-33, 3-9        | 1014287   | 12-5, 12-7                    |
| AM1289801  | 7-11   | 1011578 | 1-47             | 1014288   | 12-5, 12-7                    |
| AM1289901  | 7-11   | 1011697 | 1-33, 11-3       | 1014304   | 14-9, 14-11                   |
| AM1290001  | 7-11   | 1011767 | 18-3             | 1014305   | 18-3                          |
| AM1290101  | 7-11   | 1012151 | 18-5             | 1014306   | 17-13                         |
| AM1290201  | 7-11   | 1012180 | 6-15, 6-17, 6-21 | 1014453   | 12-5, 12-7                    |
| AM1290501  | 7-11   | 1012181 | 6-21             | 1014454   | 12-9                          |
| AM1300001  | 14-15  | 1012182 | 6-21             | 1014496   | 18-3                          |
| AM1300101  | 14-15  | 1012295 | 8-5              | 1014497   | 18-3                          |
| AM1300201  | 14-15  | 1012431 | 8-17, 13-3       | 1014507   | 18-3                          |
| AM1300301  | 14-15  | 1012505 | 4-9, 4-13        | 1014508   | 18-3                          |
| AM15028001 | 1-67   | 1012528 | 14-17, 14-19     | 1014555   | 6-15, 6-17, 6-21, 14-9, 14-11 |
| SVP738601  | 17-13  | 1012549 | 18-5             | 1014727   | 8-17, 13-3                    |
| SVP738701  | 17-13  | 1012560 | 18-5             | 1014807   | 8-17, 13-3                    |
| SVP738801  | 17-13  | 1012565 | 6-3, 7-3         | 1014947   | 14-17, 14-19                  |
| SVP915201  | 1-27   | 1012566 | 6-3, 7-3         | 1015064   | 13-3                          |
| 183        | 4-19, 12-5, 12-7                                     | 1012571 | 1-19             | 1015524   | 18-3                          |
| 332        | 1-67, 13-7, 17-13                                    | 1012594 | 8-17, 13-3       | 1015583   | 6-15, 6-17, 6-21              |
| 334        | 12-5, 12-7   | 1012649 | 10-7             | 101558302 | 6-15, 6-17, 6-19, 6-21, 7-13  |
| 451        | 15-3   | 1012809 | 18-5             | 1015727   | 1-29                          |
| 1016       | 4-19   | 1012811 | 18-3             | 101587711 | 10-7                          |
| 1218       | 1-33   | 1012812 | 18-3             | 101587712 | 10-7                          |
| 1242       | 5-7, 5-9, 8-9, 8-11                                  | 1012836 | 12-9             | 1015932   | 8-9                           |
| 1624       | 8-9  | 1012987 | 13-3             | 101609401 | 3-9                           |
| 7174       | 8-9  | 1013042 | 6-9, 7-9         | 101611402 | 16-5                          |
| 7311       | 1-67   | 1013164 | 6-15, 6-17, 6-21 | 1016154   | 6-3, 7-3                      |
| 7330       | 16-3   | 1013589 | 13-3             | 1016201   | 12-5, 12-7                    |
| 7335       | 16-3   | 1013590 | 13-3             | 1016214   | 6-3, 7-3                      |
| 7336       | 16-3   | 1013591 | 13-3             | 1016289   | 12-5, 12-7                    |
| 7473       | 1-33   | 1013593 | 18-5             | 101641002 | 18-5                          |
| 7847       | 17-13  | 1013609 | 8-11             | 101641101 | 18-7                          |
| 7893       | 4-19, 8-11   | 1013734 | 14-17, 14-19     | 101641202 | 18-3                          |
| 8056       | 8-17   | 1013746 | 10-7             | 1016414   | 18-5                          |
| 8057       | 8-17, 13-3   | 1013794 | 16-3             | 1016415   | 18-5                          |
| 8058       | 8-17, 13-3   | 1013857 | 4-13             | 1016416   | 18-3                          |
| 8233       | 1-67, 10-13, 13-7, 13-9, 17-13                       | 1013924 | 5-3, 5-5, 9-7    | 1016417   | 18-3                          |
| 8450       | 12-5, 12-7   | 1014007 | 10-13, 13-9      | 1016418   | 18-5                          |
| 8717       | 13-3   | 1014051 | 12-7             | 1016673   | 17-13                         |
| 8754       | 8-9  | 1014055 | 12-5, 12-7       | 1016801   | 12-5, 12-7                    |
| 8990       | 6-9, 7-9, 13-5, 17-13                                | 1014056 | 12-5, 12-7       | 1016849   | 4-9, 4-13                     |
| 1010145    | 6-15, 6-17, 6-19, 6-21, 7-13                         | 1014057 | 12-5, 12-7       | 1016851   | 4-9, 4-13                     |
| 1010434    | 1-11, 1-13, 1-25, 1-31, 5-11, 5-13, 5-15, 5-17, 8-13 | 1014058 | 12-5, 12-7       | 1016901   | 12-5                          |
| 1010436    | 1-29   | 1014059 | 12-5, 12-7       | 1017235   | 6-21                          |
| 1010829    | 5-7, 5-9   | 1014062 | 12-5, 12-7       | 1017686   | 12-9                          |
| 1010909    | 4-19   | 1014063 | 12-5, 12-7       | 101791101 | 5-3                           |
| 1010921    | 1-33   | 1014065 | 12-5, 12-7, 13-3 | 101808401 | 18-3                          |
| 1010958    | 14-9   | 1014072 | 12-9             | 101813202 | 18-3                          |
| 1011017    | 4-15   | 1014078 | 12-9             | 101814701 | 4-11                          |
| 1011114    | 10-13, 13-9  | 1014080 | 12-9             | 101815501 | 5-3, 5-5                      |
| 1011137    | 5-5  | 1014115 | 18-7             | 101815502 | 5-3, 5-5                      |
| 1011273    | 18-5   | 1014145 | 13-3             | 101816501 | 5-3, 5-5                      |
|            |  | 1014161 | 18-7             | 101816502 | 5-3, 5-5                      |
|            |  | 1014162 | 18-7             | 101823101 | 18-5                          |

# INDEX

|           |                    |           |                              |           |  |
|-----------|--------------------|-----------|------------------------------|-----------|--|
| 101823201 | 5-3, 5-5           | 102155801 | 12-9                         | 102297230 | 1-25, 1-27   |
| 101823801 | 5-3, 5-5           | 102163001 | 1-51, 1-53                   | 102297901 | 5-7, 5-9   |
| 101823901 | 5-3, 5-5           | 102186001 | 15-3                         | 102298020 | 1-17, 1-19, 4-15, 14-9, 14-11                              |
| 101825101 | 3-3                | 102186101 | 15-3                         | 102298030 | 1-21, 1-27, 1-29, 5-11, 5-13, 5-15,<br>5-17                |
| 101830701 | 4-9, 4-13          | 102186201 | 15-3                         | 102298116 | 6-7, 7-7   |
| 101831901 | 18-3               | 102186401 | 15-3                         | 102298130 | 6-7, 7-7   |
| 101832001 | 14-5, 17-13        | 102186701 | 15-3                         | 102298170 | 6-15, 6-17, 6-21, 6-23, 7-15                               |
| 101833401 | 12-9               | 102186901 | 15-3                         | 102298175 | 6-15, 6-17, 6-19, 6-21, 7-13                               |
| 101834502 | 4-9, 4-13          | 102187101 | 15-3                         | 102298240 | 1-25, 1-47   |
| 101834601 | 9-7                | 102187201 | 15-3                         | 102298401 | 1-3, 1-5, 1-9, 1-37, 6-15, 6-17, 6-19,<br>6-21, 7-13, 11-3 |
| 101834602 | 9-7                | 102196901 | 4-9                          | 102298580 | 1-3, 6-15, 6-17, 6-21                                      |
| 101835601 | 1-47               | 102199001 | 4-13                         | 102298601 | 1-3, 6-15, 6-17, 6-21                                      |
| 101850301 | 6-3, 6-5, 7-3, 7-5 | 102235201 | 15-3                         | 102298716 | 1-27   |
| 101851101 | 4-9, 4-13          | 102240501 | 14-17, 14-19                 | 102298720 | 1-5, 1-17, 4-5   |
| 101856001 | 14-7               | 102242101 | 12-9                         | 102298995 | 1-3  |
| 101861901 | 17-13              | 102243402 | 18-5                         | 102299065 | 1-37, 1-45, 4-15   |
| 101862001 | 13-7               | 102243403 | 15-3                         | 102299360 | 1-37   |
| 101871001 | 18-3               | 102274101 | 13-17                        | 102299601 | 1-37   |
| 101884801 | 9-7                | 102278802 | 1-47                         | 102324901 | 1-61   |
| 101886101 | 10-13, 13-9        | 102279105 | 1-27                         | 102353201 | 6-13, 7-11   |
| 101887101 | 18-3               | 102287101 | 6-11, 7-11                   | 102353301 | 6-13, 7-11   |
| 101887601 | 10-13              | 102287601 | 6-11                         | 102353401 | 6-13   |
| 101895401 | 16-3               | 102287701 | 6-11                         | 102356601 | 16-3   |
| 101895501 | 16-3               | 102288101 | 6-11, 6-13                   | 102356801 | 16-3   |
| 101897001 | 16-3               | 102288201 | 6-13                         | 102357701 | 6-13, 7-11   |
| 101897201 | 16-3               | 102288401 | 6-13                         | 102400102 | 4-15   |
| 101897401 | 16-3               | 102288701 | 6-13                         | 102410604 | 10-3, 10-13  |
| 101897601 | 16-3               | 102288801 | 6-13                         | 102411209 | 10-17  |
| 101898001 | 8-11               | 102288901 | 6-11, 7-11                   | 102476401 | 10-13, 13-9  |
| 101903601 | 16-3               | 102289001 | 6-9, 7-9                     | 102490301 | 10-3, 10-13  |
| 101903701 | 16-3               | 102289101 | 6-13                         | 102491501 | 12-5, 12-7, 14-9, 14-11                                    |
| 101906901 | 16-3               | 102289201 | 6-13, 7-11                   | 102492301 | 14-5, 14-17, 14-19   |
| 101908401 | 8-13, 14-7         | 102289401 | 6-11, 7-11                   | 102498201 | 10-13, 13-7, 13-9  |
| 101914001 | 16-5               | 102289501 | 6-11, 6-13                   | 102500801 | 5-11, 5-13, 5-15, 5-17                                     |
| 101920101 | 15-3               | 102289601 | 6-11                         | 102501402 | 1-27   |
| 101922101 | 16-3               | 102289701 | 6-11                         | 102501403 | 1-27   |
| 101922201 | 16-3               | 102289801 | 6-13, 7-11                   | 102501501 | 1-13   |
| 101923001 | 16-3               | 102289901 | 6-11                         | 102502501 | 1-13   |
| 101923201 | 16-3               | 102290120 | 6-3, 6-5, 6-7, 7-3, 7-5, 7-7 | 102504001 | 1-25   |
| 101923501 | 16-3               | 102292101 | 1-3                          | 102504201 | 1-25   |
| 101923901 | 16-3               | 102292201 | 5-11, 5-13, 5-15, 5-17       | 102504301 | 1-25   |
| 101928701 | 16-3, 18-5         | 102292356 | 1-15, 1-17, 14-9, 14-11      | 102504802 | 1-17   |
| 101936101 | 16-5               | 102292701 | 1-17, 1-27                   | 102505401 | 1-3  |
| 101942301 | 15-3               | 102292801 | 5-7, 5-9                     | 102505701 | 1-3, 6-11  |
| 101954301 | 1-23               | 102296020 | 1-13, 4-3, 8-11, 10-3, 10-17 | 102506401 | 6-15, 6-17, 6-19, 6-21, 7-13                               |
| 101960501 | 3-7                | 102296040 | 4-15, 8-11, 13-3             | 102508202 | 1-21   |
| 101972001 | 3-9                | 102296140 | 1-35                         | 102508401 | 14-7   |
| 101972101 | 16-3               | 102296150 | 1-65, 4-15                   | 102508601 | 4-9  |
| 101972201 | 16-3               | 102296301 | 1-51, 1-53, 10-3             | 102508901 | 1-35   |
| 101978601 | 16-5               | 102296401 | 1-35                         | 102508902 | 1-35   |
| 101979101 | 8-17, 13-3         | 102296530 | 1-25                         | 102508903 | 1-35   |
| 101998501 | 1-23               | 102296601 | 1-27                         | 102511101 | 14-7   |
| 102022601 | 6-9, 7-9           | 102296716 | 10-13, 14-17, 14-19          | 102511601 | 1-35   |
| 102025801 | 10-5               | 102296819 | 1-15                         | 102511602 | 1-35   |
| 102051901 | 4-13               | 102296920 | 1-65, 4-15, 14-7             |           |  |
| 102061201 | 18-7               | 102297125 | 10-17                        |           |  |

# INDEX

|           |                              |           |                  |           |                             |
|-----------|------------------------------|-----------|------------------|-----------|-----------------------------|
| 102511603 | 1-35                         | 102621501 | 1-65, 4-15, 8-9  | 103375702 | 14-5                        |
| 102513501 | 1-37                         | 102670701 | 6-19, 7-13       | 103380201 | 5-3, 5-5                    |
| 102515101 | 4-13                         | 102704701 | 15-3             | 103380202 | 5-3, 5-5                    |
| 102516901 | 1-21                         | 102704801 | 15-3             | 103384601 | 3-5                         |
| 102517001 | 1-25                         | 102704901 | 15-3             | 103384701 | 3-5                         |
| 102517501 | 4-5                          | 102732401 | 9-5              | 103384801 | 3-5                         |
| 102517601 | 4-7                          | 102771701 | 16-3             | 103388501 | 6-11                        |
| 102517901 | 3-7                          | 102774701 | 14-19            | 103395505 | 14-13                       |
| 102521401 | 10-17                        | 102803301 | 8-11             | 103397901 | 4-5                         |
| 102521901 | 1-17                         | 102838701 | 8-7              | 103402701 | 1-15                        |
| 102526201 | 13-3                         | 102838801 | 8-7              | 103414901 | 4-5                         |
| 102529201 | 4-5, 4-7                     | 102838901 | 8-7              | 103470701 | 10-3                        |
| 102534201 | 1-5, 1-9                     | 102839001 | 8-7              | 103477901 | 7-11                        |
| 102534801 | 6-21                         | 102839301 | 8-7              | 103483101 | 5-3, 5-5                    |
| 102535401 | 4-7                          | 102841101 | 8-7              | 103483102 | 5-3, 5-5                    |
| 102538601 | 14-5                         | 102865901 | 14-17            | 103483201 | 5-3, 5-5                    |
| 102540301 | 9-7                          | 102878201 | 6-13             | 103483401 | 5-3, 5-5                    |
| 102540701 | 2-5, 2-7                     | 102883602 | 1-13, 3-11       | 103483601 | 5-3, 5-5                    |
| 102541401 | 4-15, 8-9, 17-13             | 102886301 | 16-3             | 103483701 | 5-3, 5-5                    |
| 102544201 | 1-37, 1-45, 4-15             | 102886401 | 16-3             | 103508101 | 9-5                         |
| 102551901 | 5-7, 5-9                     | 102886501 | 16-3             | 103508501 | 14-11                       |
| 102552001 | 5-7, 5-9                     | 102886601 | 16-3             | 103508801 | 14-11                       |
| 102554901 | 14-5                         | 102902801 | 16-3             | 103510602 | 14-13                       |
| 102555901 | 3-3                          | 102915601 | 1-15             | 103528701 | 5-7                         |
| 102556701 | 2-3, 2-7                     | 102922701 | 11-3             | 103528702 | 5-7                         |
| 102557201 | 1-15                         | 102947601 | 1-51, 1-53       | 103535001 | 5-7, 5-9                    |
| 102558201 | 9-3, 10-17                   | 102956201 | 6-11, 6-13       | 103572501 | 15-3                        |
| 102558301 | 10-17                        | 102958001 | 14-13            | 103582801 | 16-3                        |
| 102558501 | 10-17                        | 102967901 | 1-27, 1-29       | 103597101 | 4-5                         |
| 102558601 | 10-17                        | 103146501 | 6-23, 7-15       | 103635201 | 1-17                        |
| 102558701 | 10-17                        | 103182702 | 1-29             | 103638601 | 6-13                        |
| 102559401 | 5-11, 5-13, 5-15, 5-17       | 103196001 | 1-37, 1-65, 4-15 | 103638701 | 6-13                        |
| 102559701 | 5-11, 5-13, 5-15, 5-17       | 103198401 | 8-13             | 103638702 | 6-13                        |
| 102562401 | 18-3                         | 103199301 | 1-37             | 103638801 | 6-13                        |
| 102565201 | 6-9, 7-9                     | 103200301 | 1-37, 1-65, 4-15 | 103638901 | 1-3                         |
| 102566001 | 6-9, 7-9                     | 103200701 | 4-9, 4-11        | 103647402 | 14-9                        |
| 102570401 | 18-7                         | 103205101 | 1-35             | 103647403 | 14-9                        |
| 102572401 | 4-9                          | 103205501 | 3-7, 8-13        | 103677101 | 1-51, 1-53                  |
| 102581201 | 1-45                         | 103210101 | 1-35             | 103679701 | 6-9, 7-9                    |
| 102582401 | 1-51, 1-53, 1-61             | 103262201 | 9-5              | 103699401 | 1-25                        |
| 102587201 | 18-5                         | 103325001 | 1-9              | 103724503 | 6-3, 6-5, 7-3, 7-5          |
| 102588501 | 6-15, 6-17, 6-19, 6-21, 7-13 | 103327601 | 1-25             | 103724601 | 6-3, 7-3                    |
| 102588601 | 6-11, 7-11                   | 103347601 | 8-7              | 103724602 | 6-5, 7-5                    |
| 102594301 | 5-7, 5-9                     | 103347701 | 8-7              | 103724901 | 6-3, 7-3                    |
| 102594801 | 5-11, 5-13, 5-15, 5-17       | 103347801 | 8-7              | 103742207 | 7-13                        |
| 102594901 | 5-11, 5-13, 5-15, 5-17       | 103348201 | 4-13             | 103742304 | 6-17, 6-19, 7-13            |
| 102595201 | 5-11, 5-13, 5-15, 5-17       | 103348602 | 4-13             | 103742305 | 6-15                        |
| 102595301 | 5-11, 5-13, 5-15, 5-17       | 103357701 | 14-9, 14-11      | 103742306 | 6-21                        |
| 102595401 | 5-11, 5-13, 5-15, 5-17       | 103367901 | 14-17, 14-19     | 103742307 | 7-13                        |
| 102595502 | 5-11, 8-3                    | 103368301 | 14-9, 14-11      | 103750001 | 1-37, 1-45, 4-15            |
| 102595901 | 5-11, 5-13, 5-15, 5-17       | 103368401 | 14-9, 14-11      | 103750101 | 1-37, 1-45                  |
| 102596001 | 5-11, 5-13, 5-15, 5-17       | 103372101 | 10-3             | 103754901 | 1-51, 1-53                  |
| 102596301 | 5-13, 5-15, 5-17             | 103372401 | 10-7             | 103756401 | 10-7                        |
| 102617201 | 9-5                          | 103374801 | 14-9, 14-11      | 103765601 | 14-9, 14-11                 |
| 102617801 | 13-17                        | 103375301 | 14-9, 14-11      | 103774701 | 14-13                       |
| 102618601 | 7-11                         | 103375402 | 14-5, 14-17      | 103777601 | 5-11, 5-13, 5-15, 5-17, 8-3 |

# INDEX

|           |                        |           |                               |           |             |
|-----------|------------------------|-----------|-------------------------------|-----------|-------------|
| 103783001 | 6-3, 7-3               | 103984601 | 12-5, 12-7                    | 105027101 | 13-11       |
| 103783002 | 6-3, 7-3               | 103989501 | 13-17                         | 105027201 | 13-11       |
| 103783003 | 6-3, 7-3               | 103989901 | 13-19                         | 105027301 | 13-11       |
| 103793001 | 14-9, 14-11            | 103990503 | 1-3                           | 105027401 | 13-13       |
| 103796701 | 6-3, 7-3               | 103990601 | 1-3                           | 105027501 | 13-13       |
| 103810201 | 6-7, 7-7               | 103991501 | 4-9                           | 105027601 | 13-13       |
| 103812901 | 1-27                   | 103995001 | 13-17                         | 105027701 | 13-13       |
| 103813001 | 1-27                   | 104005901 | 14-15                         | 105027801 | 13-13       |
| 103826201 | 6-9, 7-9               | 104006101 | 14-15                         | 105027901 | 13-13       |
| 103826301 | 6-9, 7-9               | 104008001 | 1-35                          | 105028001 | 13-13       |
| 103829401 | 6-5, 7-5               | 104008002 | 1-35                          | 105028101 | 13-15       |
| 103832401 | 2-5, 2-7               | 104008003 | 1-35                          | 105028201 | 13-13       |
| 103832901 | 1-23                   | 104008501 | 1-37                          | 105028301 | 13-11       |
| 103833601 | 1-23                   | 104021701 | 13-17                         | 105028401 | 13-13       |
| 103833701 | 1-23                   | 104023201 | 14-5                          | 105028501 | 13-11       |
| 103833801 | 1-23                   | 104023421 | 1-23                          | 105028601 | 13-13       |
| 103833901 | 1-23                   | 104023422 | 1-23                          | 105028701 | 13-13       |
| 103853121 | 1-25                   | 104023425 | 1-23                          | 105028801 | 13-13       |
| 103853122 | 1-25                   | 104023501 | 10-13, 13-9                   | 105028901 | 13-13       |
| 103853125 | 1-25                   | 104024001 | 14-5, 14-17                   | 105029001 | 13-13       |
| 103872701 | 17-13                  | 104024501 | 17-3, 17-5, 17-7, 17-9, 17-13 | 105029101 | 13-13       |
| 103874111 | 5-17                   | 104024601 | 17-3, 17-5, 17-7, 17-9, 17-13 | 105029201 | 13-13       |
| 103879701 | 13-11                  | 104025101 | 12-9                          | 105029301 | 13-15       |
| 103886601 | 13-5                   | 104027101 | 13-17                         | 105029401 | 13-15       |
| 103896607 | 10-7                   | 104028901 | 17-3, 17-5, 17-7, 17-9        | 105029501 | 13-15       |
| 103921601 | 6-15, 6-17             | 104029001 | 17-3, 17-5, 17-7, 17-9        | 105029601 | 13-15       |
| 103921602 | 6-15, 6-17             | 104029301 | 17-13                         | 105029701 | 13-15       |
| 103923601 | 1-9                    | 104029601 | 17-3, 17-5                    | 105029801 | 13-15       |
| 103924801 | 8-5, 14-5              | 104029602 | 17-7                          | 105029901 | 13-15       |
| 103926603 | 1-3                    | 104029603 | 17-9                          | 105030001 | 13-11       |
| 103929301 | 1-25                   | 105003601 | 17-3, 17-5, 17-7, 17-9        | 105030301 | 13-15       |
| 103929302 | 1-25                   | 105003701 | 17-3, 17-5, 17-7, 17-9        | 105030401 | 13-15       |
| 103934901 | 2-5, 2-7               | 105005001 | 14-17, 14-19                  | 105030501 | 13-15       |
| 103935001 | 2-7                    | 105005402 | 1-19                          | 105030601 | 13-15       |
| 103935601 | 6-13                   | 105009001 | 10-17                         | 105030701 | 13-11       |
| 103943401 | 5-17, 14-3             | 105025001 | 13-11                         | 105030801 | 13-15       |
| 103951501 | 13-17                  | 105025101 | 13-11                         | 105030901 | 13-13       |
| 103952901 | 1-25                   | 105025201 | 13-11                         | 105031001 | 13-15       |
| 103964901 | 6-15, 6-17, 6-21       | 105025301 | 13-11                         | 105037101 | 4-13        |
| 103965001 | 6-15, 6-17, 6-21       | 105025401 | 13-11                         | 105037501 | 13-3        |
| 103973901 | 12-7                   | 105025501 | 13-11                         | 105037601 | 13-3        |
| 103973902 | 12-5                   | 105025601 | 13-11                         | 105037701 | 13-3        |
| 103974102 | 12-3                   | 105025701 | 13-11                         | 105038501 | 13-3        |
| 103974201 | 12-5, 12-7             | 105025801 | 13-11                         | 105038801 | 13-5        |
| 103974401 | 12-5, 12-7             | 105025901 | 13-11                         | 105039801 | 13-3        |
| 103974815 | 5-11                   | 105026001 | 13-11                         | 105040401 | 13-3        |
| 103974821 | 5-13, 5-15             | 105026101 | 13-11                         | 105040901 | 13-7        |
| 103974901 | 5-11, 5-13, 5-15, 5-17 | 105026201 | 13-11                         | 105041101 | 13-3        |
| 103975011 | 5-17                   | 105026301 | 13-11                         | 105043801 | 10-5        |
| 103975301 | 12-9                   | 105026401 | 13-11                         | 105043901 | 10-5        |
| 103976101 | 12-5, 12-7             | 105026501 | 13-11                         | 105049001 | 6-7, 7-7    |
| 103978801 | 1-25                   | 105026601 | 13-11                         | 105065403 | 14-11       |
| 103979301 | 13-17                  | 105026701 | 13-11                         | 105065601 | 14-5, 14-19 |
| 103982001 | 10-13                  | 105026801 | 13-11                         | 105065701 | 14-5, 14-19 |
| 103982002 | 10-13                  | 105026901 | 13-11                         | 105066001 | 13-15       |
| 103982301 | 14-17, 14-19           | 105027001 | 13-11                         | 105066101 | 13-15       |



# INDEX

|           |                               |             |               |             |      |
|-----------|-------------------------------|-------------|---------------|-------------|------|
| 105067501 | 3-7                           | 105223427   | 1-25          | 47563300001 | 1-47 |
| 105068201 | 17-11                         | 105223428   | 1-25          | 47563300002 | 1-47 |
| 105068202 | 17-11                         | 105223429   | 1-25          | 47563301001 | 1-47 |
| 105068601 | 6-7, 7-7                      | 105234801   | 13-11, 13-13  | 47563302001 | 1-47 |
| 105070101 | 17-3, 17-5, 17-11             | 105234901   | 13-11, 13-13  | 47563303001 | 1-47 |
| 105070102 | 17-7, 17-11                   | 105237399   | 8-11          | 47563304001 | 1-47 |
| 105070103 | 17-9, 17-11                   | 105245801   | 12-3          | 47563305001 | 1-47 |
| 105070501 | 3-3                           | 105267301   | 3-9           | 47563306001 | 1-49 |
| 105074101 | 13-3                          | 105267401   | 3-9           | 47563307001 | 1-49 |
| 105081501 | 8-5                           | 105267501   | 3-9           | 47564782001 | 1-47 |
| 105081601 | 8-5                           | 105288901   | 1-67          | 47564783001 | 1-47 |
| 105083001 | 17-13                         | 105289701   | 1-51, 1-53    | 47564784001 | 1-47 |
| 105084301 | 14-17, 14-19                  | 105291501   | 1-17          | 47564785001 | 1-47 |
| 105084401 | 17-13                         | 105299001   | 17-13         | 47564786001 | 1-47 |
| 105086801 | 17-13                         | 105299101   | 17-13         | 47564787001 | 1-47 |
| 105092301 | 17-3, 17-5, 17-7, 17-9, 17-13 | 105299601   | 17-13         | 47564787002 | 1-47 |
| 105093101 | 17-3, 17-5, 17-7, 17-9        | 105300801   | 17-13         | 47564886021 | 1-49 |
| 105094101 | 17-13                         | 105313801   | 1-67          | 47564886022 | 1-49 |
| 105095201 | 17-3                          | 105314001   | 1-17          | 47564886024 | 1-49 |
| 105096101 | 12-5, 12-7                    | 105314101   | 1-17          | 47564886025 | 1-49 |
| 105102601 | 8-17                          | 105315201   | 17-13         | 47564887021 | 1-49 |
| 105114802 | 8-5                           | 47539338002 | 8-9           | 47564887022 | 1-49 |
| 105114803 | 8-5                           | 47542195001 | 5-3, 5-5      | 47564887024 | 1-49 |
| 105114805 | 8-5                           | 47554736001 | 4-15          | 47564887025 | 1-49 |
| 105114806 | 8-5                           | 47559264001 | 1-65          | 47564888021 | 1-49 |
| 105114808 | 8-5                           | 47559264002 | 1-65          | 47564888022 | 1-49 |
| 105116301 | 5-17, 14-3                    | 47559265002 | 1-65, 4-15    | 47564888023 | 1-49 |
| 105123801 | 17-3, 17-5, 17-7, 17-9, 17-13 | 47559268001 | 4-15          | 47564888025 | 1-49 |
| 105130201 | 8-5                           | 47559475001 | 8-7           | 47564888027 | 1-49 |
| 105135101 | 10-13, 13-7                   | 47559475002 | 8-7           | 47564888028 | 1-49 |
| 105137401 | 14-5, 14-17, 14-19            | 47560030001 | 14-21         | 47564889021 | 1-49 |
| 105143301 | 10-3                          | 47560464001 | 10-7          | 47564889022 | 1-49 |
| 105144401 | 10-13, 13-9                   | 47560765001 | 10-17         | 47564889023 | 1-49 |
| 105152301 | 4-9                           | 47561033001 | 3-3           | 47564889025 | 1-49 |
| 105161701 | 8-7                           | 47561477001 | 4-15          | 47564889027 | 1-49 |
| 105166801 | 14-15                         | 47561633001 | 2-3           | 47564889028 | 1-49 |
| 105166901 | 14-15                         | 47561635001 | 2-3           | 47564890001 | 9-7  |
| 105167001 | 14-15                         | 47561636001 | 2-3           | 47565234003 | 4-3  |
| 105167101 | 14-15                         | 47561638001 | 2-5           | 47565234004 | 4-3  |
| 105168501 | 14-15                         | 47561640001 | 2-5           | 47566405001 | 7-11 |
| 105168601 | 14-15                         | 47561641001 | 2-5           | 47566411001 | 7-11 |
| 105187901 | 6-13                          | 47561643001 | 2-5           | 47568672001 | 1-47 |
| 105188185 | 6-15, 6-17, 6-19, 6-21, 7-13  | 47561644004 | 2-9           | 47568673001 | 1-47 |
| 105188701 | 6-19, 7-13                    | 47561645004 | 2-9           | 47568674001 | 1-47 |
| 105190701 | 4-15                          | 47561646004 | 2-7           | 47568674002 | 1-47 |
| 105223321 | 1-23                          | 47561647004 | 2-7           | 47568675001 | 1-47 |
| 105223322 | 1-23                          | 47562652001 | 5-9           | 47568676001 | 1-47 |
| 105223323 | 1-23                          | 47562746001 | 4-5           | 47568677001 | 1-47 |
| 105223325 | 1-23                          | 47562747001 | 4-5           | 47570463001 | 1-63 |
| 105223327 | 1-23                          | 47562747002 | 8-5           | 47570464001 | 1-39 |
| 105223328 | 1-23                          | 47562748001 | 4-15          | 47570464002 | 1-41 |
| 105223329 | 1-23                          | 47562947002 | 2-9           | 47570464003 | 1-43 |
| 105223421 | 1-25                          | 47562947004 | 2-9           | 47570465001 | 1-59 |
| 105223422 | 1-25                          | 47562948004 | 2-9           | 47574837001 | 4-5  |
| 105223423 | 1-25                          | 47562949001 | 2-5, 2-7, 2-9 | 47574958001 | 3-3  |
| 105223425 | 1-25                          | 47562951001 | 2-5, 2-7, 2-9 | 47575464001 | 1-33 |

# INDEX

|             |                              |             |                  |             |           |
|-------------|------------------------------|-------------|------------------|-------------|-----------|
| 47576196001 | 6-19, 7-13                   | 47582821001 | 1-39, 1-41, 1-43 | 47610136001 | 10-17     |
| 47576197001 | 7-13                         | 47582821002 | 1-39, 1-41, 1-43 | 47611209001 | 11-3      |
| 47576198001 | 7-13                         | 47582822001 | 1-65             | 47611210001 | 11-3      |
| 47576648001 | 7-13                         | 47583000001 | 8-7              | 47611483001 | 9-5       |
| 47576649001 | 6-23, 7-15                   | 47583112001 | 1-39, 1-41, 1-43 | 47611484001 | 9-5       |
| 47576650001 | 6-23, 7-15                   | 47583296001 | 1-13             | 47611648001 | 9-5       |
| 47576651001 | 6-23, 7-15                   | 47583296002 | 1-13             | 47611868001 | 8-9       |
| 47576652001 | 6-23, 7-15                   | 47583297001 | 1-27             | 47611869001 | 8-9       |
| 47576652002 | 6-23, 7-15                   | 47583297002 | 1-27             | 47611870001 | 8-9       |
| 47576796001 | 1-51, 1-53                   | 47583665001 | 6-19             | 47611876001 | 10-3      |
| 47576797001 | 1-51                         | 47583666001 | 6-19             | 47611877001 | 10-3      |
| 47576798001 | 1-51                         | 47583790001 | 8-7              | 47612314001 | 17-11     |
| 47577554001 | 1-61                         | 47583791001 | 8-7              | 47612314002 | 17-11     |
| 47577555001 | 1-61                         | 47583794001 | 8-7              | 47612315002 | 17-11     |
| 47577556001 | 1-61                         | 47583795001 | 9-7              | 47612316001 | 17-11     |
| 47577557001 | 1-61                         | 47583912001 | 6-19             | 47612316002 | 17-11     |
| 47577558001 | 1-61                         | 47584178001 | 8-7              | 47612317002 | 17-11     |
| 47577561001 | 1-5                          | 47584179001 | 8-7              | 47612318002 | 17-11     |
| 47577561002 | 1-5                          | 47584184001 | 9-7              | 47612352001 | 10-11     |
| 47577864001 | 6-23, 7-15                   | 47584406001 | 4-15             | 47612535001 | 8-5       |
| 47577865001 | 6-23, 7-15                   | 47586040001 | 3-3              | 47612537001 | 4-13, 8-5 |
| 47578016001 | 1-5                          | 47586191001 | 3-5, 3-7         | 47613414002 | 4-13      |
| 47578327001 | 1-47                         | 47587701001 | 9-7              | 47613414003 | 4-9       |
| 47578437001 | 1-33                         | 47587715001 | 8-15             | 47613414005 | 4-13      |
| 47578438001 | 1-5                          | 47589609001 | 4-15             | 47613414006 | 4-13      |
| 47579059001 | 1-29                         | 47589919302 | 1-27             | 47613414007 | 4-13      |
| 47579060001 | 1-29                         | 47589919303 | 1-27             | 47613414009 | 4-9       |
| 47579061001 | 1-29                         | 47589919304 | 1-27             | 47615815001 | 10-17     |
| 47579062001 | 1-29                         | 47589919306 | 1-27             | 47617158001 | 10-11     |
| 47579065001 | 1-29                         | 47589919308 | 1-27             | 47617345001 | 8-9       |
| 47579066001 | 1-29                         | 47589919310 | 1-27             | 47622330001 | 10-5      |
| 47579068001 | 1-29                         | 47589919311 | 1-27             | 47622750001 | 10-3      |
| 47579096001 | 6-15, 6-17, 6-19, 6-21, 7-13 | 47589919312 | 1-27             | 47622750002 | 10-3      |
| 47579669001 | 1-9                          | 47592393001 | 3-3              | 47623281001 | 8-11      |
| 47579759001 | 1-53                         | 47592811001 | 1-47             | 47623339001 | 10-5      |
| 47579760001 | 1-53                         | 47592812003 | 1-45             | 47627633002 | 1-13      |
| 47579985001 | 1-55                         | 47594727001 | 4-17             | 47627633003 | 1-13      |
| 47579986001 | 1-57                         | 47594888001 | 3-11             | 47627633004 | 1-13      |
| 47580172001 | 4-5                          | 47598099001 | 9-5              | 47627633005 | 1-13      |
| 47581051001 | 1-47                         | 47598441001 | 4-13             | 47627633006 | 1-13      |
| 47581126001 | 4-15                         | 47600218001 | 12-9             | 47627633009 | 1-13      |
| 47581127001 | 4-15                         | 47601355001 | 10-13            | 47627633053 | 1-13      |
| 47581128001 | 4-15                         | 47601767001 | 12-9             | 47627633058 | 1-13      |
| 47581129001 | 4-15                         | 47601767002 | 12-9             | 47627633099 | 1-13      |
| 47581130001 | 4-15                         | 47601832001 | 12-9             | 47628936001 | 1-11      |
| 47581131001 | 1-65, 4-15                   | 47602210001 | 10-3             | 47628936002 | 1-11      |
| 47581132001 | 1-65, 4-15                   | 47602210002 | 10-3             | 47629583001 | 9-19      |
| 47581133001 | 4-15                         | 47603899001 | 7-13             | 47629585001 | 9-19      |
| 47581133002 | 4-15                         | 47603900001 | 7-13             | 47629588001 | 9-19      |
| 47581134001 | 4-15                         | 47604229001 | 8-15             | 47629589001 | 9-19      |
| 47581135001 | 4-15                         | 47604230001 | 14-21            | 47629677001 | 9-15      |
| 47581430001 | 4-15                         | 47604303001 | 4-19             | 47629680001 | 9-15      |
| 47582091001 | 5-9                          | 47606837001 | 17-11            | 47629682001 | 9-15      |
| 47582268001 | 1-63                         | 47606837002 | 17-3, 17-11      | 47629685001 | 9-15      |
| 47582270001 | 1-55                         | 47610134002 | 10-3             | 47629686001 | 9-15      |
| 47582271001 | 1-57                         | 47610135001 | 10-3             | 47629687001 | 9-15      |

# INDEX

- 47629688001 9-15  
47629689001 9-15  
47629690001 9-15  
47629691001 9-15  
47629693001 9-15  
47629694001 9-15  
47629696001 9-15  
47629697001 9-15  
47629698001 9-15  
47629699001 9-17  
47629700001 9-17  
47629701001 9-17  
47629702001 9-11, 9-17  
47629703001 9-17  
47629705001 9-17  
47629707001 9-17  
47629709001 9-17  
47629711001 9-13  
47629714001 9-13  
47629716001 9-13  
47629717001 9-13  
47629718001 9-13  
47629719001 9-13  
47629720001 9-13  
47629722001 9-13  
47629723001 9-13  
47629724001 9-13  
47629725001 9-13  
47629726001 9-13  
47629727001 9-13  
47629728001 9-13  
47629729001 9-13  
47629730001 9-13  
47629768001 9-13  
47629822001 9-13  
47629823001 9-13  
47629824001 9-13  
47629825001 9-13  
47629826001 9-11  
47629828001 9-11  
47629831001 9-11  
47629832001 9-11  
47629833001 9-11  
47629834001 9-11  
47629835001 9-11  
47629836001 9-11  
47629837001 9-11  
47629838001 9-11  
47629839001 9-11  
47629841001 9-11  
47629843001 9-11  
47629844001 9-9  
47629845001 9-9  
47629846001 9-9  
47629847001 9-9  
47629848001 9-9
- 47629851001 9-9  
47629853001 9-9  
47629855001 9-9  
47629856001 9-9  
47629857001 10-9  
47629858001 10-9  
47629859001 10-9  
47629860001 10-9  
47629861001 10-9  
47629862001 10-9  
47629864001 10-9  
47629865001 10-9  
47629866001 10-9  
47629867001 10-9  
47629868001 10-9  
47629869001 10-9  
47629870001 10-9  
47629871001 10-9  
47629872001 10-9  
47629874001 10-9  
47629875001 10-11  
47629876001 10-11  
47629877001 10-11  
47629878001 10-11  
47629879001 10-15  
47629880001 10-15  
47629881001 10-15  
47629882001 10-15  
47631793001 1-37, 1-45  
47631793002 1-37, 1-45  
47632116001 1-11  
47636151001 1-5  
47640021001 9-11  
47640281001 9-3, 9-11  
47643352001 4-21  
47643352002 4-21  
47643624002 10-3  
47645493001 8-13  
47649254001 1-7  
47649808001 11-3  
47649808002 11-3  
47650647001 9-11  
47652014001 1-17  
47659500001 1-7  
96704176 4-17  
96705199 10-3  
96705587 11-3  
96741046 9-5
- A**  
A-arm, lower 7-11  
A-arm, three-piece 6-11  
A-arm, upper 7-11  
absorber, front shock 6-11, 7-11  
absorber, rear shock 6-15, 6-17, 6-19, 6-21, 7-13
- AC cord 17-11  
accelerator cable 10-13  
accelerator pedal 5-11, 5-13, 5-15, 5-17, 8-3  
accelerator pedal adjustment tool 18-3  
access panel 1-27  
adhesive, guide ring 18-3  
air cleaner assembly 10-17  
air filter 9-3, 10-17  
air filter canister evacuation valve 10-17  
air intake cover 10-17  
air intake hose 10-17  
AM1285701 18-5  
arbor 18-3  
arm  
    governor 10-13, 13-9  
armature 15-3  
armrest 1-23  
assembly  
    brake lever 5-3, 5-5  
    drive hub 12-5, 12-7  
    frame and field (motor) 15-3  
    fuel cap 10-3  
    moveable-face 12-5, 12-7, 12-9  
    secondary clutch weight 12-5, 12-7  
axle 16-3  
axle guard 16-5  
axle shaft 13-15  
axle shaft oil seal 16-3  
axle tube 13-15, 16-3
- B**  
backing plate, brake 5-3, 5-5  
backrest 1-49  
backrest, beige 1-25  
backrest, black 1-25  
backrest, white 1-25  
bag hoop 1-25  
bag strap 1-25  
bag strap buckle 1-25  
ball bearing 8-7, 13-13, 13-15  
ball joint, inner 6-9, 7-9  
ball, bearing 7-11  
barrel, plastic 1-11, 1-13, 1-25, 1-31, 5-11, 5-13, 5-15, 5-17, 8-13  
basket 1-65  
battery  
    8-volt, GC8 14-9, 14-11  
battery bucket 14-9, 14-11  
battery charger 17-3, 17-5, 17-7, 17-9, 17-13  
battery charger wire harness  
    onboard 14-17, 14-19  
battery clamp 8-11  
battery condition indicator, 48-volt 4-9, 4-11  
battery cross rod tube 14-9, 14-11  
battery discharge machine 18-3  
battery hold-down 14-9, 14-11

# INDEX

- battery terminal protector spray 18-3
- battery thermometer 18-3
- battery, 12-volt, top-post 8-11
- bearing 16-3
  - ball 7-11, 8-7, 13-13, 13-15
  - ball (motor) 15-3
  - inner axle tube 16-3
  - thrust 13-11
- bearing and oil seal remover 18-3
- bearing driver set 18-3
- bearing puller 18-3
- bearing puller wedge 18-3
- bellows, steering 6-9, 7-9
- belt, drive 12-3
- body
  - under 1-17
- body kick plate 1-19
- body kick plate (ele) 1-21
- bolt
  - battery, "S" hold-down 14-9, 14-11
- boot, switch 8-13, 14-7
- bottom, seat 1-49
- Bracket 8-13
- bracket
  - accel.cable 10-13, 13-7
  - canopy support 1-37
  - clamshell 1-17
  - equalizer 5-7, 5-9
  - FNR cable 10-13, 13-7
  - governor 10-13, 13-9
  - jounce bumper 6-21, 7-13
  - shock mounting, drv 6-15, 6-17, 6-21
  - shock mounting, pas 6-15, 6-17, 6-21
  - snubber 9-7
- Bracket, Fuel 10-3
- Bracket, Seat Back, Front, Top, CSMR 1-47
- brake adjusting mechanism 5-3, 5-5
- brake backing plate 5-3, 5-5
- brake cable 5-7, 5-9
- brake cluster 5-3, 5-5
- brake drum 5-3, 5-5
- brake lever 5-3, 5-5
- brake pedal 5-11, 5-13, 5-15, 5-17
- brake rod 5-11, 5-13, 5-15, 5-17
- brake self-adjusting mechanism 5-3, 5-5
- brake shoe 5-3, 5-5
- brake spring 5-3, 5-5
- breather 13-11, 16-3
- brow 1-13
- brow cap 1-13
- brush 15-3
- brush box assembly 15-3
- brush rigging 15-3
- brush spring 15-3
- bucket, battery 14-9, 14-11
- buckle, bag strap 1-25
- bumper
  - drive unit (motor) 15-3
  - jounce 6-19, 6-21, 7-13
  - rubber 1-29
- Bumper, Shock Plug 1-9
- bushing 6-11, 6-13, 6-23, 7-15, 12-5, 12-7, 13-3
  - urethane 6-15, 6-17, 6-19, 6-21, 7-13
- button, drive 12-9
- buzzer, reverse 4-9, 4-13
- C**
- cable
  - accelerator 10-13
  - brake 5-7, 5-9
  - FNR shifter 13-5
- calibration test module 18-3
- cam
  - driven clutch 12-9
- cam, neutral lockout 13-3
- canister, carbon, fuel tank 10-7
- canopy 1-35, 1-39, 1-43
- canopy drain cover 1-35
- canopy handle 1-35
- canopy strut, front, lh 1-37, 1-45
- canopy strut, front, rh 1-37, 1-45, 4-15
- canopy support 1-37
- canopy support bracket, drv 1-25
- canopy support bracket, pas 1-25
- canopy support cover, pas 4-15
- cap
  - center 2-5, 2-7, 2-9
  - dust 4-9
  - front hub 6-13, 7-11
  - fuel, gas, ratchet 10-3
  - key switch 4-9, 4-13
  - rubber 13-17
- carbon canister 10-7
- card, safety first 18-5
- case
  - gear 16-3
  - transaxle 13-11
- center cap 2-5, 2-7, 2-9
- center shaft 13-13
- charger bezel tool 18-3
- charger receptacle 14-5, 14-17, 14-19
- charger, battery, Hi-Freq 17-3, 17-5, 17-7, 17-9, 17-13
- clamp
  - battery 8-11
  - hose 10-7, 10-17
  - leaf spring 6-13, 7-11
  - p- (fuel filter) 10-3, 10-13
- clamshell bracket 1-17
- clip 4-5
  - body trim 1-17, 1-27
  - meter 4-13
- clip, score card 6-3, 7-3
- cluster, brake 5-3, 5-5
- clutch
  - pin 13-13
- clutch cam installation tool 18-3
- clutch repair kit 12-9
- clutch tool kit 18-3
- clutch weight 12-5, 12-7
- clutch, drive 12-5, 12-7
- collar 13-13
- comfort grip steering wheel 6-3, 7-3
- comfort grip steering wheel kit 6-3, 7-3
- component mounting plate 14-17, 14-19
- compression gauge 18-5
- compressor, piston ring 18-5
- compressor, valve spring 18-7
- continuity tester 18-5
- controller shield 14-17, 14-19
- controller, motor speed
  - Excel w/Hi-Freq 14-17, 14-19
- cord reel 17-13
- cord set, DC 17-3, 17-5, 17-7, 17-9, 17-11
- cord, AC 17-11
- cord, DC 17-13
- counter shaft 13-13
- cover
  - air intake 10-17
  - canopy drain 1-35
  - DC terminal block 17-3, 17-5, 17-7, 17-9, 17-13
  - dust 5-3, 5-5
  - support, canopy, pas 4-15
  - USB 17-3, 17-5, 17-7, 17-9, 17-13
- cover plate 15-3
- Cover, Canopy Support 1-37, 1-45
- cover, steering column 4-5, 4-7
- cushion, shock absorber 6-15, 6-17, 6-19, 6-21, 7-13
- D**
- dash 1-15
- dash support assembly 1-3, 6-11
- DC cord 17-13
- DC cord set 17-3, 17-5, 17-7, 17-9, 17-11
- decal 3-3
  - box bed warning 3-9
  - crush area warning 3-9
  - filter log 14-15
  - frame ground warning 3-7
  - inspect log 14-15
  - maintenance/operate switch 3-7, 8-13
  - on/off 3-3
  - operating instructions 6-3, 7-3
  - private speed mode 3-3
  - rotating parts 3-7
  - Run/Tow warning 3-5

# INDEX

trailer hitch 1-33, 3-9  
warning 3-5  
warning, Run/Tow 3-5  
water exposure 3-5  
deionizer 14-15  
  cartridge 14-15  
differential 13-15  
  open 13-15  
differential drive unit 16-3  
differential gear 16-3  
differential gear set 13-15  
differential guard 16-5  
differential housing 16-3  
differential shaft 13-15  
drain plug 13-11  
drive belt 12-3  
drive button 12-9  
drive clutch 12-5, 12-7  
drive clutch button 12-5, 12-7  
drive clutch holder tool 18-3  
drive clutch hub puller 18-3  
drive clutch puller 18-3  
drive clutch spring 12-5, 12-7  
drive clutch weight 12-5, 12-7  
drive hub 12-5, 12-7  
drive unit bumper 15-3  
drive unit guard 16-5  
driven clutch button 12-9  
driven clutch cam 12-9  
driven clutch cam puller 18-3  
driven clutch puller plug 18-3  
driver, drive clutch 12-5, 12-7  
drum, brake 5-3, 5-5  
dry moly lubricant 18-5  
dual snubber 9-7  
dust cap 4-9  
dust cover 5-3, 5-5  
dust seal 6-9, 7-9

## E

end cap, motor 15-3  
end, tie rod 6-9, 7-9  
engine  
  air cleaner 10-17  
  air filter 9-3, 10-17  
  air intake hose 10-17  
equalizer 5-7, 5-9  
Exhaust 11-3

## F

face, moveable 12-9  
Fender 1-11  
fender  
  rear 1-31  
Fender, Front 1-11

filter  
  air 9-3, 10-17  
floor cover plate 5-11, 5-13, 5-15, 5-17  
floormat 1-17  
FNR handle 13-3  
FNR housing 14-7  
FNR shift lever 13-7  
FNR shifter base 13-3  
FNR shifter cable 13-5  
fold down seat 1-47  
frame and field assembly (motor) 15-3  
front hub 6-13  
front suspension structure 6-11, 7-11  
Fuel Module, Hold-Down Ring 10-5  
fuse  
  10-amp 8-5  
  15-amp 14-5  
  2-amp 8-5, 14-5  
  30-amp 14-5, 14-17, 14-19  
  5-amp 8-5  
fuse, mini, 7.5A 8-5  
fuse, mini, 10A 8-5

## G

gas pedal assembly, anodized 5-13, 5-15  
gas pedal assembly, anodized triac 5-11  
gasket 13-11  
  air intake 10-17  
  liquid 16-3, 18-5  
  plug 16-3  
  seat 1-23  
gauge, compression 18-5  
gear  
  17 tooth 13-13  
  34 tooth 13-13  
  52 tooth 13-13  
  60 tooth 13-15  
  62 tooth 13-13  
  differential 16-3  
  differential idler 16-3  
  differential output 16-3  
  governor 13-11  
  governor, 34 tooth 13-13  
  set, differential 13-15  
gear yoke 18-5  
gearcase 16-3  
governor arm 10-13, 13-9  
governor gear shaft 13-11  
governor shaft 13-11  
grip, pencil 6-3, 7-3  
guard, differential 16-5  
guide pin 13-11  
guide ring adhesive 18-3

## H

handle, canopy 1-35  
handle, FNR 13-3  
harness  
  instrument panel lighting 4-5  
  Visage strut 4-15  
harness, instrument panel 4-9  
harness, wire 4-7, 14-5  
harness, wire, onboard battery charger 14-17, 14-19  
headlight 4-3  
hinge 14-9, 14-11  
  seat bottom 1-23  
hinge, seat bottom 1-23  
hip restraint 1-23  
hold-down, battery 14-9, 14-11  
hoop, bag 1-25  
horn 4-7  
hose  
  air intake 10-17  
  SPWS 14-13  
  vent 10-7  
Hose, Intake 10-17  
housing  
  3-pin 15-3  
  differential 16-3  
hub 6-13, 7-11, 13-17  
hub cap 6-13, 7-11  
hub, front 6-13  
hydrometer 18-5

## I

idler gear, differential 16-3  
indicator, charger 4-9  
inner ball joint 6-9, 7-9  
inner frame snubber 9-7  
input shaft 13-13, 16-3  
instrument panel harness 4-9  
Insulation 1-17  
intake cover 10-17  
intermediate shaft 16-3  
internal retaining ring pliers 18-5  
isolator, shock damper 6-15, 6-17, 6-19, 6-21, 7-13

## J

J-clip 1-3, 6-15, 6-17, 6-21  
jounce bumper 6-19, 6-21, 7-13  
jounce bumper bracket 6-21, 7-13

## K

key  
  driven clutch 12-9  
  On/Off 4-9, 4-13  
  square 12-9

# INDEX

key switch 4-9, 4-13  
key switch cap 4-9, 4-13  
kick plate 1-19  
kick plate (ele) 1-21  
king pin 6-13  
Kit 1-5  
kit  
    3-pin housing 15-3  
    ball joint, inner 6-9, 7-9  
    bellows, steering, sona 6-9, 7-9  
    brake cable 5-7  
    brake shoe retainer 5-3, 5-5  
    canopy hardware 1-39, 1-41, 1-43  
    chair holder 1-59  
    clutch repair 12-9  
    comfort grip steering wheel 6-3, 7-3  
    drive clutch button 12-5, 12-7  
    drive clutch weight 12-5, 12-7  
    driven clutch button 12-9  
    fenders, rear 1-31  
    front hub replacement 6-13, 7-11  
    hand pump, SPWS 14-15  
    motor brush 15-3  
    motor brush spring 15-3  
    motor cover plate 15-3  
    motor speed sensor 15-3  
    motor terminal hardware 15-3  
    relay, 48V 4-5  
    SAM assembly 1-25  
    seat bottom 1-23  
    shock absorber 6-15, 6-17, 6-21  
    shock absorber cushion 6-15, 6-17, 6-21  
    shoe retainer 5-3, 5-5  
Kit, Fenders 1-11  
Kit, Grill 1-7  
knob, light switch 4-13

## L

leaf spring, rear 6-15, 6-17, 6-19, 6-21, 7-13  
lever  
    transaxle shift 13-7  
light  
    oil 4-13  
    water quality 14-15  
light switch 4-13  
light switch knob 4-13  
limit switch 8-17, 13-3  
liquid gasket 16-3, 18-5  
low oil warning light 4-13  
lower A-arm 7-11  
lubricant, dry moly 18-5  
lubricant, moly-teflon 15-3, 18-5  
lug nut 2-5, 2-7, 2-9  
lug stud 6-13, 13-17, 16-3

## M

magnet, speed sensor 15-3  
mat, floor 1-17  
MCOR 5-17, 14-3  
mechanism, brake adjusting 5-3, 5-5  
meter clip 4-13  
meter, volt ohm 18-7  
mirror 1-67  
module  
    calibration test 18-3  
moly-teflon lubricant 18-5  
motor  
    48-volt IQ 15-3  
motor brush kit 15-3  
motor brush spring kit 15-3  
motor bumper 15-3  
motor end cap 15-3  
motor magnet, speed sensor 15-3  
motor speed controller  
    Excel w/Hi-Freq 14-17, 14-19  
motor speed sensor 15-3  
motor speed sensor kit 15-3  
motor terminal hardware kit 15-3  
motor wire harness 14-5  
mounting plate, component 14-17, 14-19  
moveable-face 12-5, 12-7, 12-9

## N

neutral lockout cam 13-3  
nut  
    push 1-29  
nut, lug 2-5, 2-7

## O

oil seal 13-11  
oil warning light, low 4-13  
O-Ring, Fuel Module 10-5

## P

paint, underbody (black) 18-5  
panel  
    access 1-27  
    SAM 1-25  
panhard 6-23, 7-15  
park brake release, anod 5-11, 5-13, 5-15, 5-17, 8-3  
p-clamp (fuel filter) 10-3, 10-13  
pedal assembly, gas, anodized 5-13, 5-15  
pedal assembly, gas, anodized triac 5-11  
pedal, accelerator 5-11, 5-13, 5-15, 5-17, 8-3  
pedal, brake 5-11, 5-13, 5-15, 5-17  
pencil grip 6-3, 7-3  
pin  
    bow tie locking 5-7, 5-9  
    clevis 5-7, 5-9

differential 13-15  
guide 13-11  
input shaft 13-13  
king 6-13  
piston ring compressor 18-5  
piston ring pliers 18-5  
plate  
    backing (brake) 5-3, 5-5  
    component mounting 14-17, 14-19  
    cover 15-3  
    floor cover 5-11, 5-13, 5-15, 5-17  
    kick 1-19  
    kick(ele) 1-21  
pliers  
    internal retaining ring 18-5  
    piston ring 18-5  
    retaining ring 18-5  
plug  
    drain 13-11  
    driven clutch puller 18-3  
protector spray, battery terminal 18-3  
puller  
    bearing 18-3  
    drive clutch 18-3  
    drive clutch hub 18-3  
    driven clutch cam 18-3  
    seal 18-5  
push nut 1-29

## R

rack and pinion 6-9, 7-9  
rear fenders 1-31  
rear underbody support 1-25  
receptacle 14-5, 14-17, 14-19  
reel cord 17-13  
reflector 1-13, 1-27, 1-47  
refractometer 18-5  
regulator, voltage 8-11  
relay 4-5  
relay, 12-volt 4-13  
relay, 48V 4-5  
release, anod park brake 5-11, 5-13, 5-15, 5-17, 8-3  
remover, bearing and oil seal 18-3  
resistor assembly 14-17, 14-19  
retainer  
    brake shoe 5-3, 5-5  
    shock absorber cushion 6-15, 6-17, 6-19, 6-21, 7-13  
retaining ring pliers 18-5  
reverse buzzer 4-9, 4-13  
rim (wheel) 2-7  
ring  
    retaining 12-5, 12-7, 12-9, 13-3, 13-11, 13-17  
    spiral backup 12-5, 12-7

# INDEX

Rivet, Removable 1-27, 1-29  
rock guard 16-5  
rocker switch 14-7  
rod  
    brake 5-11, 5-13, 5-15, 5-17  
rubber bumper 1-29

**S**  
safety first card 18-5  
SAM (structural accessory module) 1-25  
SAM assembly kit 1-25  
SAM panel 1-25  
score card clip 6-3, 7-3  
score card plate 6-3, 7-3  
seal  
    dust 6-9, 7-9  
    lip 16-3  
    oil 13-11, 16-3  
seal puller 18-5  
seal, bulb 1-51, 1-53  
sealant 16-3  
seat back 1-49  
seat back, beige 1-25  
seat back, black 1-25  
seat back, white 1-25  
seat bottom 1-49  
seat bottom kit 1-23  
seat gasket 1-23  
seat hinge 1-23  
select shaft 13-11  
sensor, motor speed 15-3  
Sensor, Temperature 9-11  
shaft  
    axle 13-15  
    center 13-13  
    counter 13-13  
    differential 13-15  
    governor 13-11  
    governor gear 13-11  
    input 13-13, 16-3  
    intermediate 16-3  
    select 13-11  
    shift 13-13  
shield, controller 14-17, 14-19  
shield, debris aux 5-11, 5-13, 5-15, 5-17  
shield, debris primary 5-11, 5-13, 5-15, 5-17  
shift lever 13-7  
shift shaft 13-13  
shock absorber (front) 6-11, 7-11  
shock absorber (rear) 6-15, 6-17, 6-19, 6-21, 7-13  
shock absorber cushion 6-15, 6-17, 6-19, 6-21, 7-13  
shock absorber cushion retainer 6-15, 6-17, 6-19, 6-21, 7-13  
shock damper isolator 6-15, 6-17, 6-19, 6-21,

7-13  
shock mounting bracket, drv 6-15, 6-17, 6-21  
shock mounting bracket, pas 6-15, 6-17, 6-21  
shoe retainer kit 5-3, 5-5  
shoe, brake 5-3, 5-5  
sleeve 6-11, 6-13, 6-15, 6-17, 6-19, 6-21, 6-23, 7-13, 7-15, 13-11  
snubber bracket 9-7  
snubber, dual 9-7  
snubber, inner frame 9-7  
solenoid 14-19  
solenoid, 12-volt 8-11  
spacer 13-11, 13-13  
speed controller  
    Excel w/Hi-Freq 14-17, 14-19  
speed sensor 15-3  
speed sensor magnet 15-3  
speed sensor, motor 15-3  
spindle 6-13, 7-11  
spiral backup ring 12-5, 12-7  
spray, battery terminal protector 18-3  
spring 13-11  
    brake 5-3, 5-5  
    brush 15-3  
    compression 6-3, 7-3  
    drive button 12-5, 12-7  
    drive clutch 12-5, 12-7  
    forward/reverse cam 13-3  
spring, leaf, rear 6-15, 6-17, 6-19, 7-13  
spring, leaf, rear, 4-pass 6-21  
SPWS hose 14-13  
steering column bearing press tool 18-7  
steering column cover 4-5, 4-7  
steering column retaining ring tool 18-7  
steering wheel 6-3, 6-5, 7-3, 7-5  
steering wheel (comfort grip) kit 6-3, 7-3  
steering wheel puller tool 18-7  
strap, bag 1-25  
strut, front canopy, lh 1-37, 1-45  
strut, front canopy, rh 1-37, 1-45, 4-15  
stud  
    lug 6-13, 13-17, 16-3  
support, canopy 1-37  
support, underbody, rear 1-25  
suspension, front structure 6-11, 7-11  
switch  
    key 4-9, 4-13  
    light 4-13  
    limit 8-17, 13-3  
    rocker 14-7  
    Tow/Run 14-7  
    turn signal 4-5  
switch rubber boot 8-13, 14-7  
switch, toggle 8-13

**T**  
12-volt solenoid 8-11  
Taillight 4-21  
tester, continuity 18-5  
thermometer, battery 18-3  
three-piece A-arm 6-11  
throttle, gas, Gen2, triac, sensor 5-11, 8-3  
throttle, Gen2, no sensor 5-13, 5-15, 5-17  
tie rod end 6-9, 7-9  
tie rod extension 7-11  
tie wrap 6-9, 7-9, 13-5, 17-13  
tire 2-9  
tire, pro tour, 205-50 x 10 2-3, 2-7  
toggle switch 8-13  
tool  
    accelerator pedal adjustment 18-3  
    belt tensioning, starter/generator 18-7  
    charger bezel 18-3  
    clutch cam installation 18-3  
    drive clutch holder 18-3  
    steering column bearing press 18-7  
    steering column retaining ring 18-7  
    steering wheel puller 18-7  
    transaxle axle seal 18-7  
    transaxle pinion seal 18-7  
    transmission 18-7  
tool kit, clutch 18-3  
touch-up paint 18-5  
Tow/Run switch 14-7  
transaxle (Electric Vehicle) 16-3  
transaxle axle seal tool 18-7  
transaxle guard 16-5  
transaxle pinion seal tool 18-7  
transaxle, open-diff (Gas Vehicle) 13-11  
transmission tool 18-7  
trunk 1-29  
tube  
    axle 13-15, 16-3  
    battery cross rod 14-9, 14-11  
Tuflok 1-27, 1-29  
turn signal switch 4-5

**U**  
U-bolt 6-15, 6-17, 6-19, 6-21, 7-13  
underbody 1-17  
underbody support, rear 1-25  
upper A-arm 7-11  
urethane bushing 6-15, 6-17, 6-19, 6-21, 7-13  
USB  
    cover 17-3, 17-5, 17-7, 17-9, 17-13  
    port 14-21  
USB cover 17-3, 17-5, 17-7, 17-9, 17-13  
USB port 14-21

# INDEX

## V

valance 1-29  
valve spring compressor 18-7  
vent  
    transaxle 13-11  
vent, barb 10-7  
volt ohm meter 18-7  
voltage regulator 8-11

## W

warning light, low oil 4-13  
water quality light 14-15  
wedge, bearing puller 18-3  
weight  
    clutch 12-5, 12-7  
    secondary clutch 12-5, 12-7  
weldment  
    governor bracket 10-13, 13-9  
wheel 2-7, 2-9  
    center cap 2-5, 2-7, 2-9  
    steering 6-3, 6-5, 7-3, 7-5  
windshield channel 1-51, 1-53  
wire  
    green, starter/generator 8-7  
    ground, fuel tank 10-3  
wire harness 4-7, 14-5  
wire harness, Excel w/Hi-Freq, MCOR3 14-5  
wire harness, onboard battery charger 14-17,  
    14-19  
wrap, tie 6-9, 7-9, 13-5, 17-13

## Y

yoke, gear 18-5











**Club Car, Inc.**  
P.O. Box 204658  
Augusta, GA 30917-4658  
USA

**Web** [www.clubcar.com](http://www.clubcar.com)  
**Phone** 1.706.863.3000  
1.800.ClubCar  
**Int'l** +1 706.863.3000  
**Fax** 1.706.863.5808