



# **2018 Illustrated Parts List Tempo, Tempo Connect and Tempo 2+2**



**Gasoline Vehicle with Subaru EX40 Engine  
Electric Vehicle with ERIC Charging System**

Manual Number 105344105  
Edition Code B



# USING THE ILLUSTRATED PARTS LIST

---

## **⚠ WARNING**

- **This manual is to be used only for identification and ordering of service parts. Be sure to read and use the maintenance and service manual before attempting any vehicle repairs.**

The manual is divided into several sections. Note that there are two or three flags on the outside edge of each page. The first flag contains the section number of which that page is a part. The other flag (or flags) contains the letter E, or G, signifying that the page pertains to electric, or gasoline vehicles.

Use the Table of Contents to find the sections and pages that contain the parts and assemblies you seek. The Table of Contents lists section numbers, and under them, the individual page titles and numbers to be found in that section. The index can be used to find specific parts and assemblies. The index is divided into numerical and alphabetical listings with the page numbers in italic text.

There is a two-page spread for each individual page title in the Table of Contents. On the left-hand page is an illustration showing the parts in their relative positions; the parts are each tagged with an item number in a balloon. The right-hand page is the parts list page, and gives the page title at the top, then the item numbers (corresponding to the numbers on the illustration), part descriptions, and quantity of parts used. Some item numbers have more than one part number because several configurations of a component are represented together on one spread.

Note that a part description may be indented. This indentation corresponds to a parts assembly level indicated by the numbers 1, 2, 3, and 4 at the top left corner of the parts description area of the parts list page. A part that is indented to *level 2* is a component of the *level 1* part (assembly) that it is listed under. A *level 3* part is a component of the *level 2* part that it is listed under, and a *level 4* part is a component of the *level 3* part preceding it. In each case, the part quantity given for a level 2, 3, or 4 part is *the quantity used per next higher level assembly of which it is a component*. A part that is not indented is a *level 1* part. This means that the quantity given is the quantity used per the portion of the vehicle illustrated on that particular spread.



**P. O. Box 204658**  
**Augusta, Georgia 30917-4658 USA**  
**Telephone 706-863-3000**  
**Service Parts Fax 706-855-7413**  
**[www.clubcar.com](http://www.clubcar.com)**

## HOW TO ORDER PARTS

Replacement parts and accessories can be obtained from our network of authorized dealers and distributors. You can obtain the name and phone number of your closest authorized Club Car dealer or distributor by visiting our web site at [www.clubcardealer.com](http://www.clubcardealer.com), by calling our toll-free Service Parts and Technical Assistance hotline at (800) 872-2246 or (706) 863-3000, extension 3887, or by scanning this Quick Response (QR) code to be taken to the Club Car dealer locator. **Refer to Figure 1.** Download a QR code reader such as RedLaser or Barcode Scanner to your cell phone or tablet.



Figure 1 Dealer Locator QR Code

## CUSTOMER SATISFACTION SURVEY

Let your voice be heard!

Please take time to participate in the Technical Publications satisfaction survey. Obtaining feedback from our customers is important to the department's continuous improvement process. The online survey takes less than five minutes and responses will help the department to examine current performance as well as identify areas for future improvement.

Our top priority is to provide timely, accurate, and user friendly manuals.

The online satisfaction survey can be found at: <http://bit.ly/1w9uFMh>



Figure 2 Survey QR Code

**NOTE:** *This illustrated parts list represents the most current information at the time of publication. Club Car, LLC is continually working to further improve its vehicles and other products. These improvements may affect the parts used to service the vehicle. Any modification and/or significant change in specifications will be forwarded to all Club Car distributors/dealers and will, when applicable, appear in future editions of this illustrated parts list.*

*Club Car, LLC reserves the right to change specifications and designs at any time without notice and without the obligation of making changes to units previously sold.*

Copyright © 2017 Club Car, LLC  
Club Car, Tempo, Tempo 2+2, and Surlyn  
are registered trademarks of Club Car, LLC  
This manual effective Dec1, 2017.

2018 Tempo, Tempo Connect and Tempo 2+2 Illustrated Parts List



# CONTENTS

---

## SECTION 1 – BODY AND TRIM

---

Frame .....	1-3
Front Bumper .....	1-5
Front Body .....	1-7
Underbody Covers (Vehicle Without Canopy) .....	1-11
Dash .....	1-13
Floor Mat, Retainers, and Front Underbody .....	1-15
Kick Plate – Subaru EX40 Gas Vehicle .....	1-17
Kick Plate – Electric Vehicle .....	1-19
Seat Bottom with Hip Restraints .....	1-21
Seat Back, Backrest, and Structural Accessory Module (SAM) .....	1-23
Rear Body .....	1-25
Club and Ball Cleaner Kit .....	1-29
Sand Bottle Kits With Handles .....	1-31
Sand Bottle Kits .....	1-33
Sand Bucket Kits .....	1-35
Windshield – Hinged .....	1-37
Canopy – White .....	1-39
Canopy – Beige .....	1-41
Canopy – Black .....	1-43
Canopy Struts .....	1-45
Visage Canopy Struts and Console .....	1-47
Four-Passenger Monsoon Canopy .....	1-49
Four-Passenger Monsoon Canopy Struts .....	1-51
Rear Seat .....	1-53
Rear Footdeck Assembly .....	1-55
Four Passenger Conversion Kit, Monsoon – Beige .....	1-57
Four Passenger Conversion Kit, Monsoon – White .....	1-59
Four Passenger Conversion Kit, Monsoon – Gray .....	1-61
5-Panel Mirror .....	1-63

---

## SECTION 2 – WHEELS AND TIRES

---

Wheels and Tires, Kenda .....	2-3
Wheels and Tires – Champion and Pro .....	2-5

---

## SECTION 3 – DECALS

---

Decals – Page 1 of 3 .....	3-3
Decals – Page 2 of 3 .....	3-5

# CONTENTS

Decals – Page 3 of 3 .....	3-7
----------------------------	-----

## SECTION 4 – LIGHTS, CONTROLS AND INDICATORS

Headlights .....	4-3
Lighting System Components .....	4-5
Horn .....	4-7
Instrument Panel – Electric Vehicle with ERIC Charger .....	4-9
Instrument Panel – Subaru EX40 Gas Vehicle .....	4-11
DC Converter – Electric Vehicle .....	4-13
Voltage Limiter – Gasoline Vehicle .....	4-15
Wiring and Switch – Visage .....	4-17
Taillights .....	4-19

## SECTION 5 – BRAKES AND PEDAL GROUP ASSEMBLIES

Rear Brakes, Self-Adjusting – Electric Vehicles .....	5-3
Rear Brakes, Self-Adjusting – Gasoline Vehicles .....	5-5
Brake Cables and Equalizer Bracket .....	5-7
Pedal Group with Sensor – Gasoline Vehicle .....	5-9
Pedal Group w/o Sensor, Gasoline Vehicle .....	5-11
Pedal Group w/o MCOR – Electric Vehicle .....	5-13
Pedal Group with MCOR – Electric Vehicle .....	5-15

## SECTION 6 – STEERING, FRONT AND REAR SUSPENSION

Steering Wheel, Comfort Grip with Clip .....	6-3
Steering Wheel .....	6-5
Steering Column .....	6-7
Steering Gear Assembly .....	6-9
Front Suspension, Upper .....	6-11
Front Suspension, Lower .....	6-13
Rear Suspension, Standard Two-Passenger Gasoline and Electric .....	6-15
Rear Suspension, Gasoline 4-Passenger – Consumer .....	6-17
Rear Suspension, Four Passenger Electric, Optional Two or Four Passenger HD .....	6-19
Panhard Rod .....	6-21

## SECTION 7 – ELECTRICAL SYSTEM – SUBARU EX40

Accelerator Pedal Assembly w/Sensor – EFI .....	7-3
Wiring, Fuses and ECU .....	7-5
Starter/Generator (Model 114-05-4001), Pedal-Start – EFI .....	7-7

# CONTENTS

---

Starter/Generator Mounting, EX40 .....	7-9
Top-Post Battery, Solenoid, Voltage Regulator – EFI .....	7-11
Maintenance/Operate Switch .....	7-13
USB Port Kit for Gas Vehicles .....	7-15
Forward/Reverse Shifter Switches – EFI .....	7-17

## **SECTION 8 – ENGINE – SUBARU EX40**

---

Tune-Up Parts – Subaru EX40 .....	8-3
Engine and Engine Mounting .....	8-5
Automatic Compression Release (ACR) Service Kit – Subaru EX40 .....	8-7
Fan and Shroud – EX40 .....	8-9
Air Deflector – EX40 .....	8-11
Ignition Components and Flywheel – EX40 .....	8-13
Sensors – EX40 .....	8-15
Cylinder Head – EX40 .....	8-17
Valvetrain and Timing Chain – EX40 .....	8-19
Crankcase – EX40 .....	8-21
Crankshaft and Piston – EX40 .....	8-23

## **SECTION 9 – FUEL SYSTEM, EFI – SUBARU EX40**

---

Fuel System w/o Sending Unit – EFI .....	9-3
Fuel System with Sending Unit – EFI .....	9-5
Fuel Tank Kits – EFI .....	9-7
Carbon Canister – EFI .....	9-9
Throttle Body and ECU – EFI .....	9-11
Throttle Body Mounting – EFI .....	9-13
Governor and Accelerator Cables – EFI .....	9-15
Air Filter System and Intake Hose – EFI .....	9-17

## **SECTION 10 – EXHAUST SYSTEM, GOLF – SUBARU EX40**

---

Exhaust System, Golf – Subaru EX40 .....	10-3
--	------

## **SECTION 11 – DRIVE BELT AND CLUTCHES – SUBARU EX40**

---

Drive Belt – Pedal-Start Vehicles with EFI .....	11-3
Drive Clutch – Pedal-Start Vehicles with EFI .....	11-5
Driven Clutch – All Gasoline Vehicles with EFI .....	11-7

# CONTENTS

---

## SECTION 12 – TRANSAXLE, FUJI ED65 (FOR SUBARU EX40)

---

Forward/Reverse Shifter Assembly – EFI .....	12-3
Shifter Cable .....	12-5
Shift Lever and Bracket – Pedal-Start Engines .....	12-7
Governor Arm and Brackets .....	12-9
Transaxle (ED65), Open – Page 1 of 3 .....	12-11
Transaxle (ED65), Limited Slip and Open – Page 2 of 3 .....	12-13
Transaxle (ED65), Open – Page 3 of 3 .....	12-15
Hub, Rear .....	12-17
Differential Guard, ED65 – Gasoline Vehicle .....	12-19

---

## SECTION 13 – ELECTRICAL SYSTEM – EXCEL WITH HIGH FREQUENCY CHARGERS

---

Motor Controller Output Regulator (MCOR) .....	13-3
Wiring and Fuses .....	13-5
Forward/Reverse Switch and Tow/Run Switch .....	13-7
Batteries and Battery Bucket, PD+ 8-Volt .....	13-9
Batteries and Battery Bucket, PD+ 8-Volt, CE .....	13-11
Single Point Watering System, 8V .....	13-13
Hand Pump and Deionizer (Battery-Powered Quality Light) .....	13-15
Controller and Solenoid .....	13-17
USB Port Kit for Electric Vehicles .....	13-19
Ferrite Beads, CE .....	13-21

---

## SECTION 14 – ELECTRIC MOTOR

---

Motor (Model EJ8-4001A) – Electric Vehicle .....	14-3
--	------

---

## SECTION 15 – TRANSAXLE – ELECTRIC VEHICLES

---

Transaxle – Electric Vehicles .....	15-3
-------------------------------------	------

---

## SECTION 16 – BATTERY CHARGERS – HIGH-FREQUENCY

---

Battery Charger, High-Frequency – U.S./Canada .....	16-3
Battery Charger, High-Freq., 2.74 m DC Cord – Global .....	16-5
Battery Charger, High-Freq., 3.66 m DC Cord – Global .....	16-7
Battery Charger, High-Freq., 6.1 m DC Cord – Global .....	16-9
Cords – Battery Charger, High-Frequency .....	16-11
Battery Charger, High-Frequency – Onboard .....	16-13
Battery Charger, High-Frequency – Onboard (for Rear-Facing-Seat) .....	16-15

# CONTENTS

---

## SECTION 17 – MAINTENANCE AND SERVICE TOOLS

---

Maintenance and Service Tools .....	17-3
Maintenance and Service Tools, Continued .....	17-5
Maintenance and Service Tools, Continued .....	17-7

## SECTION i – INDEX

---



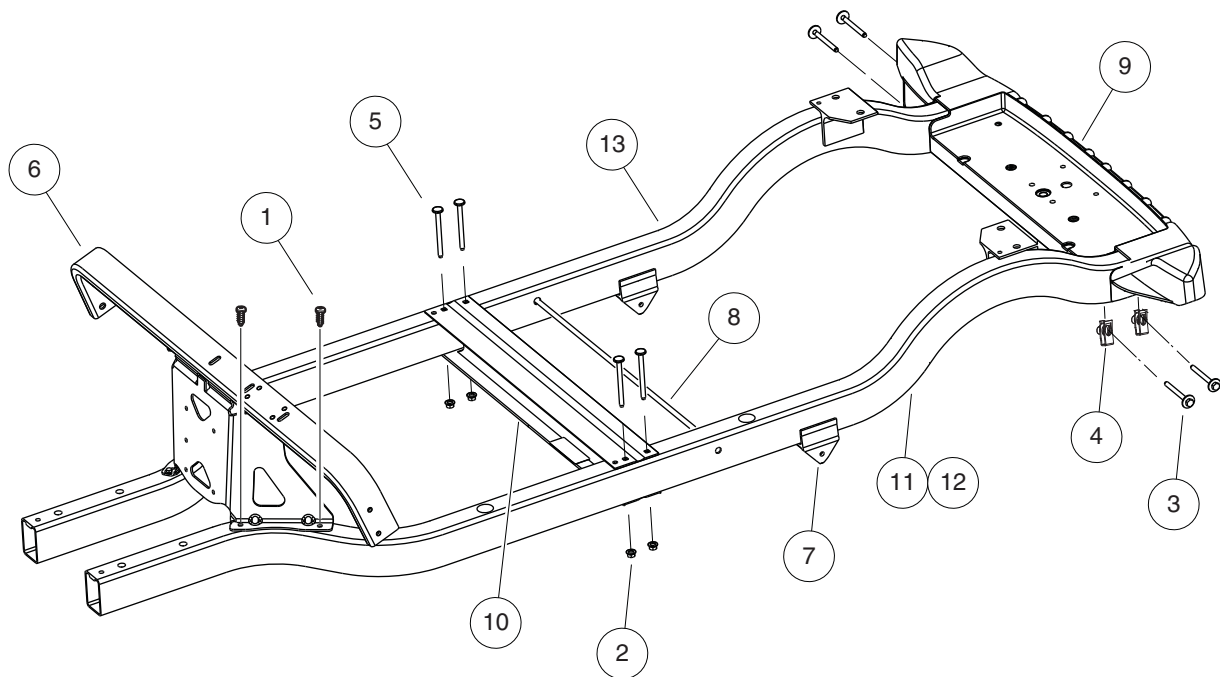
# BODY AND TRIM

---

1

G

E



000436-010

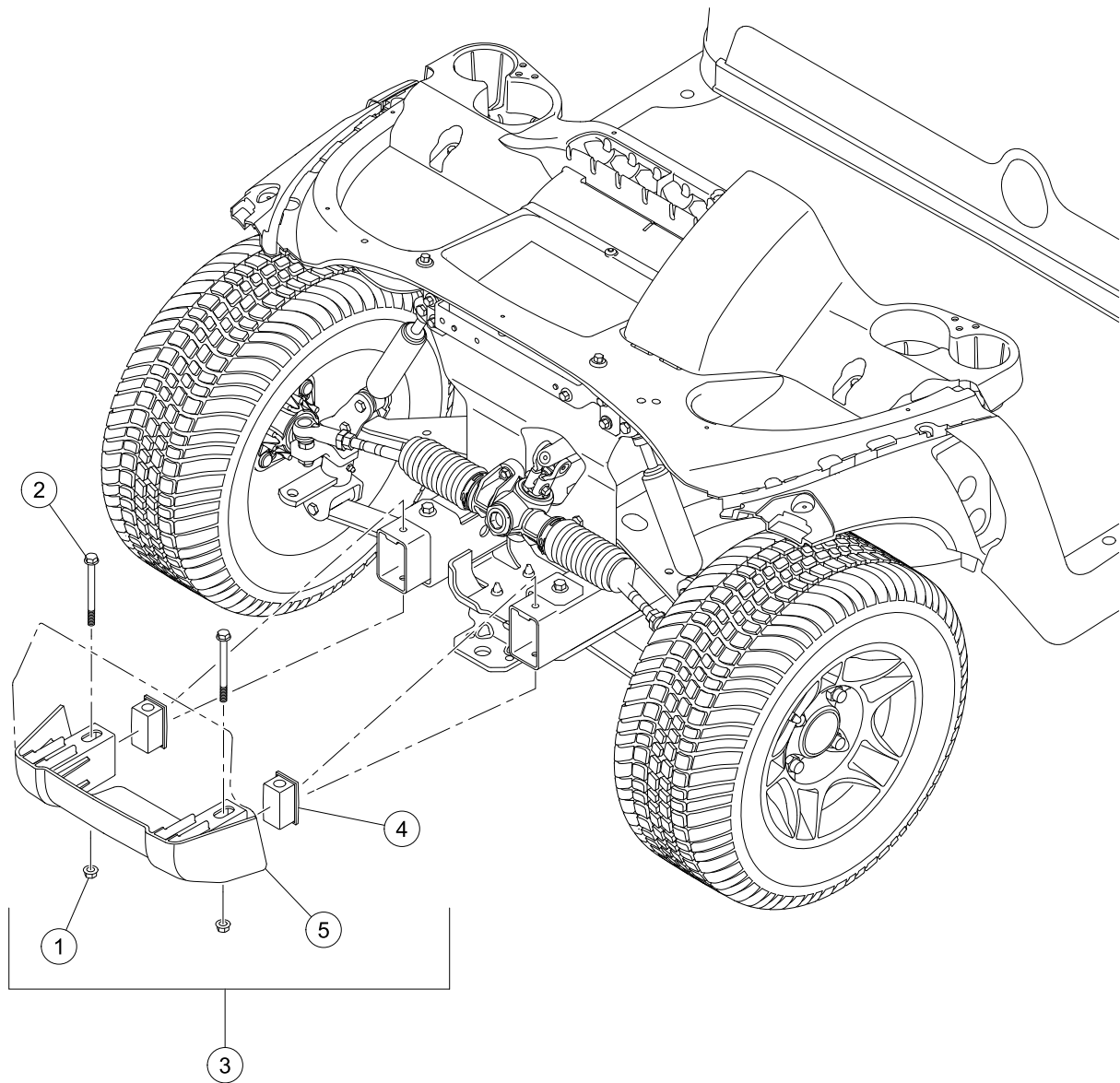


# FRAME

ITEM	PART NO.	DESCRIPTION	QTY
		<b>1 2 3 4</b>	
1	102292101	Screw-5/16 X 1.5 Tek .....	4
2	102298401	Nut,m8,all Metal Lock .....	4
3	102298580	M8-1.25 X 80 Sems .....	4
4	102298601	J-clip - M8 X 1.25 .....	4
5	102298995	Bolt, Wafer Head, M8-1.25x95 .....	4
6	102505701	Assembly, Dash Support .....	1
7	102507801	Hanger, Spring .....	2
8	103638901	Rod, .5 Od X 26.26 .....	1
9	103926601	Crossmember, rear .....	1
10	103975901	I Beam, Cross Car .....	1
11	103990501	Weldment, Frame .....	1
12	103990502	Weldment, Frame .....	1
13	103990601	Weldment, Frame, Passenger-side .....	1
<p>Note: Item 8 is only applicable to electric vehicles. Item 11 is applicable to two-passenger gas and electric vehicles. Item 12 is only applicable to four-passenger vehicles. Item 13 is applicable to all vehicles.</p>			

**1**  
**G**  
**E**

**1**  
**G**  
**E**

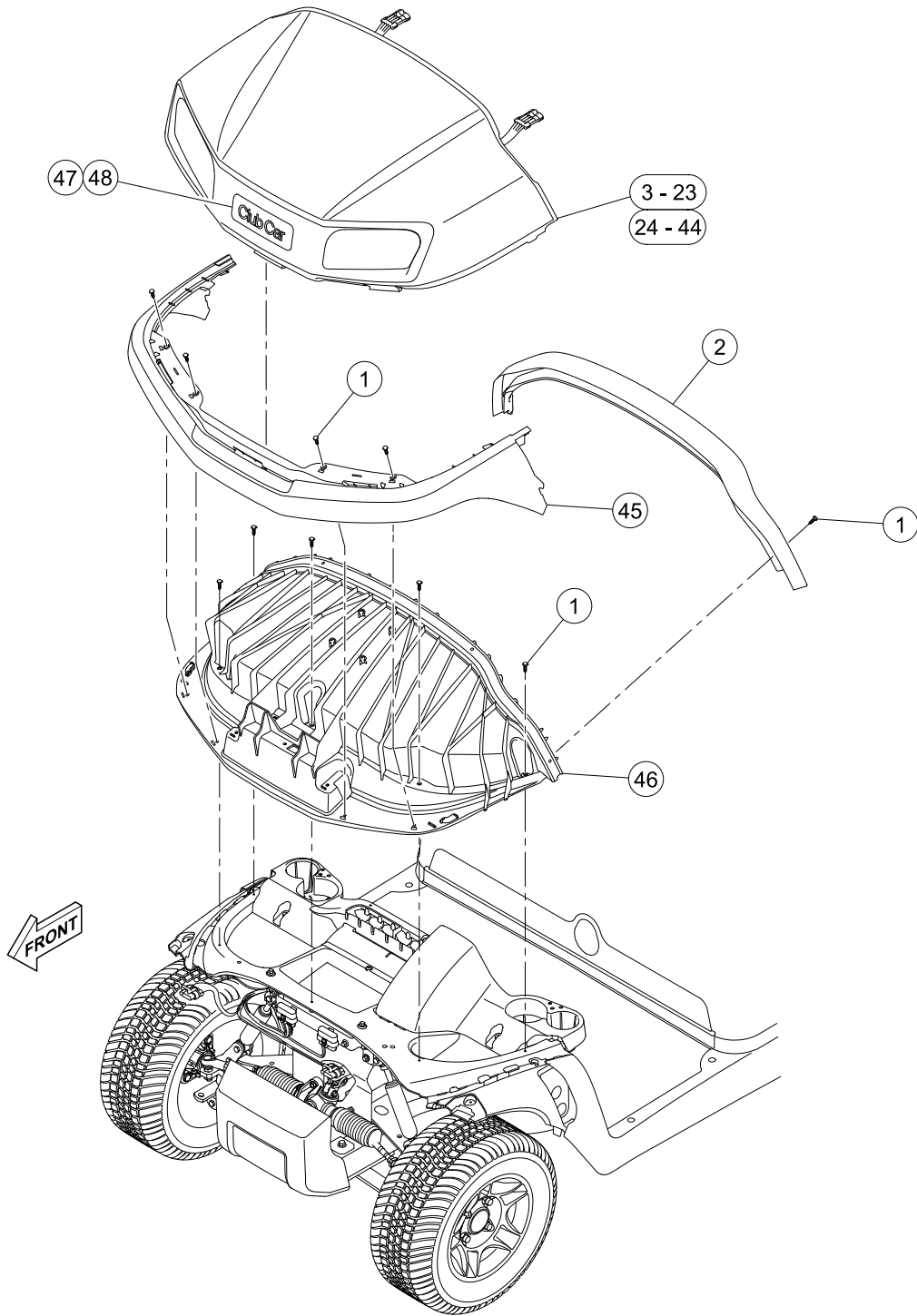


# FRONT BUMPER

ITEM	PART NO.	DESCRIPTION	QTY
		<b>1 2 3 4</b>	
1	102298401	Nut,m8,all Metal Lock .....	2
2	102534201	Bolt - Fl Hd, M8 X 95 .....	2
3	47604926001	Asm, Bumper, Front (includes items 4 and 5) .....	1
4	103325001	Plug, Shock, Bumper .....	2
5	47589918001	Bumper, Front .....	1

1  
G  
E

**1**  
**G**  
**E**



# FRONT BODY

ITEM	PART NO.	DESCRIPTION	QTY
		<b>1 2 3 4</b>	
1	102296020	Screw, Torx Pan Hd Pt, M6 X 20 .....	13
2	102502501	Brow Cap .....	1
3	47589916001	Panel, Beauty, Ft, White .....	1
4	47589916002	Panel, Beauty, Ft, Beige .....	1
5	47589916003	Panel, Beauty, Ft, Platinum .....	1
6	47589916004	Panel, Beauty, Ft, Sangria .....	1
7	47589916005	Panel, Beauty, Ft, Cayenne .....	1
8	47589916006	Panel, Beauty, Ft, Green .....	1
9	47589916007	Panel, Beauty, Ft, Sapphire .....	1
10	47589916008	Panel, Beauty, Ft, Black .....	1
11	47589916009	Panel, Beauty, Ft, Mocha .....	1
12	47589916010	Panel, Beauty, Ft, Cashmere .....	1
13	47589916101	Panel, Beauty, Ft, Mt Glacier .....	1
14	47589916102	Panel, Beauty, Ft, Mt Platinum .....	1
15	47589916103	Panel, Beauty, Ft, Mt Cndy Apl .....	1
16	47589916104	Panel, Beauty, Ft, Mt Green .....	1
17	47589916105	Panel, Beauty, Ft, Mt Sapphire .....	1
18	47589916106	Panel, Beauty, Ft, Mt Black .....	1
19	47589916107	Panel, Beauty, Ft, Mt Mocha .....	1
20	47589916108	Panel, Beauty, Ft, Mt Prl Blue .....	1
21	47589916109	Panel, Beauty, Ft, Mt Atc Orng .....	1
22	47589916110	Panel, Beauty, Ft, Mt Syn Grn .....	1
23	47589916111	Panel, Beauty, Ft, Mt Beige .....	1
24	47589916201	Pnl, Bty, Ft, White, Sp .....	1
25	47589916202	Pnl, Bty, Ft, Beige, Sp .....	1
26	47589916203	Pnl, Bty, Ft, Platinum, Sp .....	1
27	47589916204	Pnl, Bty, Ft, Sangria, Sp .....	1
28	47589916205	Pnl, Bty, Ft, Cayenne, Sp .....	1
29	47589916206	Pnl, Bty, Ft, Green, Sp .....	1
30	47589916207	Pnl, Bty, Ft, Sapphire, Sp .....	1
31	47589916208	Pnl, Bty, Ft, Black, Sp .....	1
32	47589916209	Pnl, Bty, Ft, Mocha, Sp .....	1
33	47589916210	Pnl, Bty, Ft, Cashmere, Sp .....	1
34	47589916301	Pnl, Bty, Ft, Mt Glacier, Sp .....	1
35	47589916302	Pnl, Bty, Ft, Mt Platinum, Sp .....	1
36	47589916303	Pnl, Bty, Ft, Mt Cndy Apl, Sp .....	1
37	47589916304	Pnl, Bty, Ft, Mt Green, Sp .....	1
38	47589916305	Pnl, Bty, Ft, Mt Sapphire, Sp .....	1
39	47589916306	Pnl, Bty, Ft, Mt Black, Sp .....	1
40	47589916307	Pnl, Bty, Ft, Mt Mocha, Sp .....	1
41	47589916308	Pnl, Bty, Ft, Mt Prl Blue, Sp .....	1
42	47589916309	Pnl, Bty, Ft, Mt Atc Orng, Sp .....	1
43	47589916310	Pnl, Bty, Ft, Mt Syn Grn, Sp .....	1
44	47589916311	Pnl, Bty, Ft, Mt Beige, Sp .....	1

**1**  
**G**  
**E**

**1**

**G**

**E**

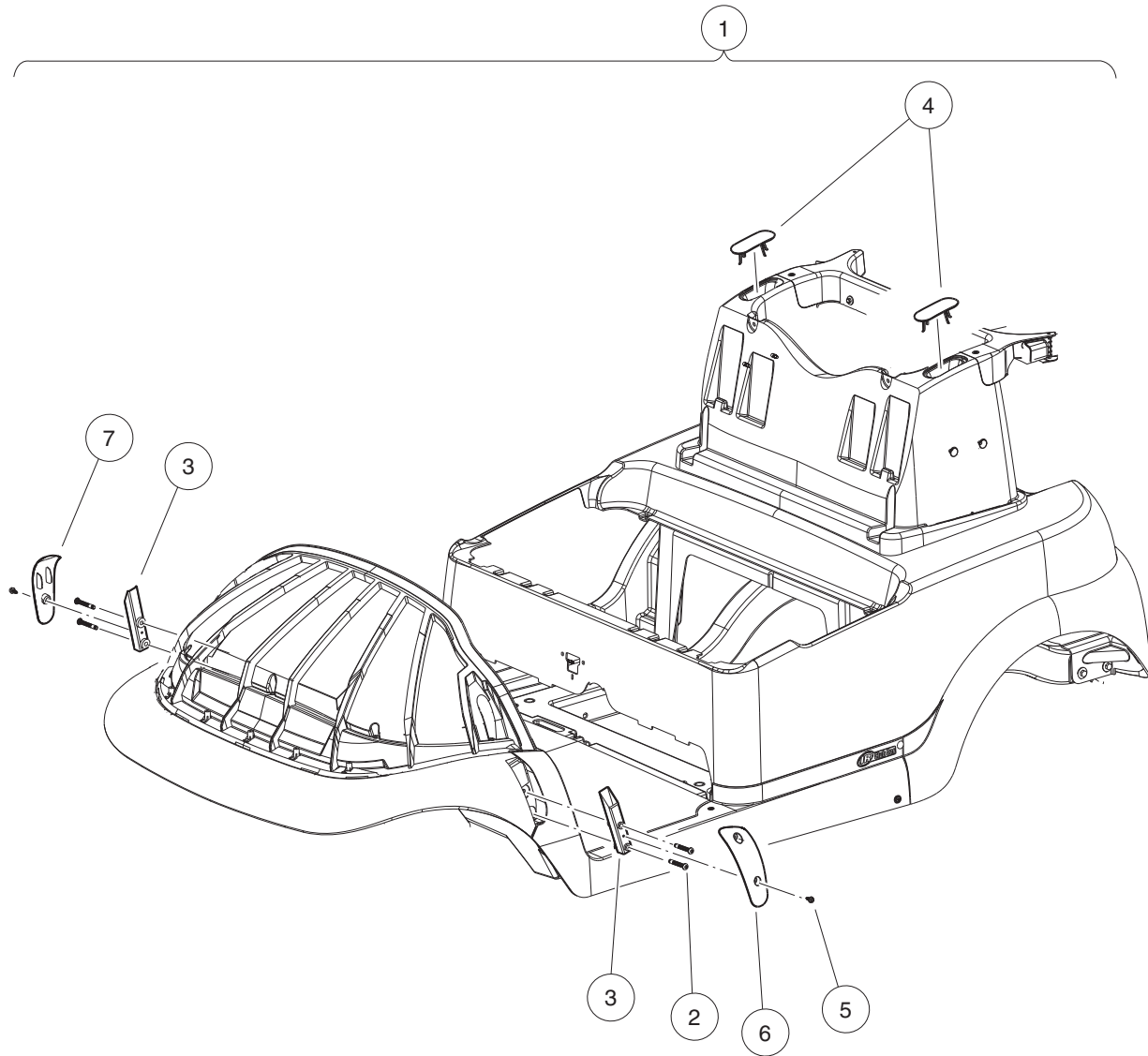
46	47593000001	Brow, Dual Headlight .....	1
47	47605590001	Decal, Logo, Cc, Gold .....	1

ITEM	PART NO.	DESCRIPTION	QTY
48	47605590002	<p><b>1 2 3 4</b></p> <p>Decal, Logo, Cc, Silver .....</p> <p style="margin-top: 20px;">Note: Items 24 through 44 are field replacement part numbers for the front body.</p>	1

1

G

E



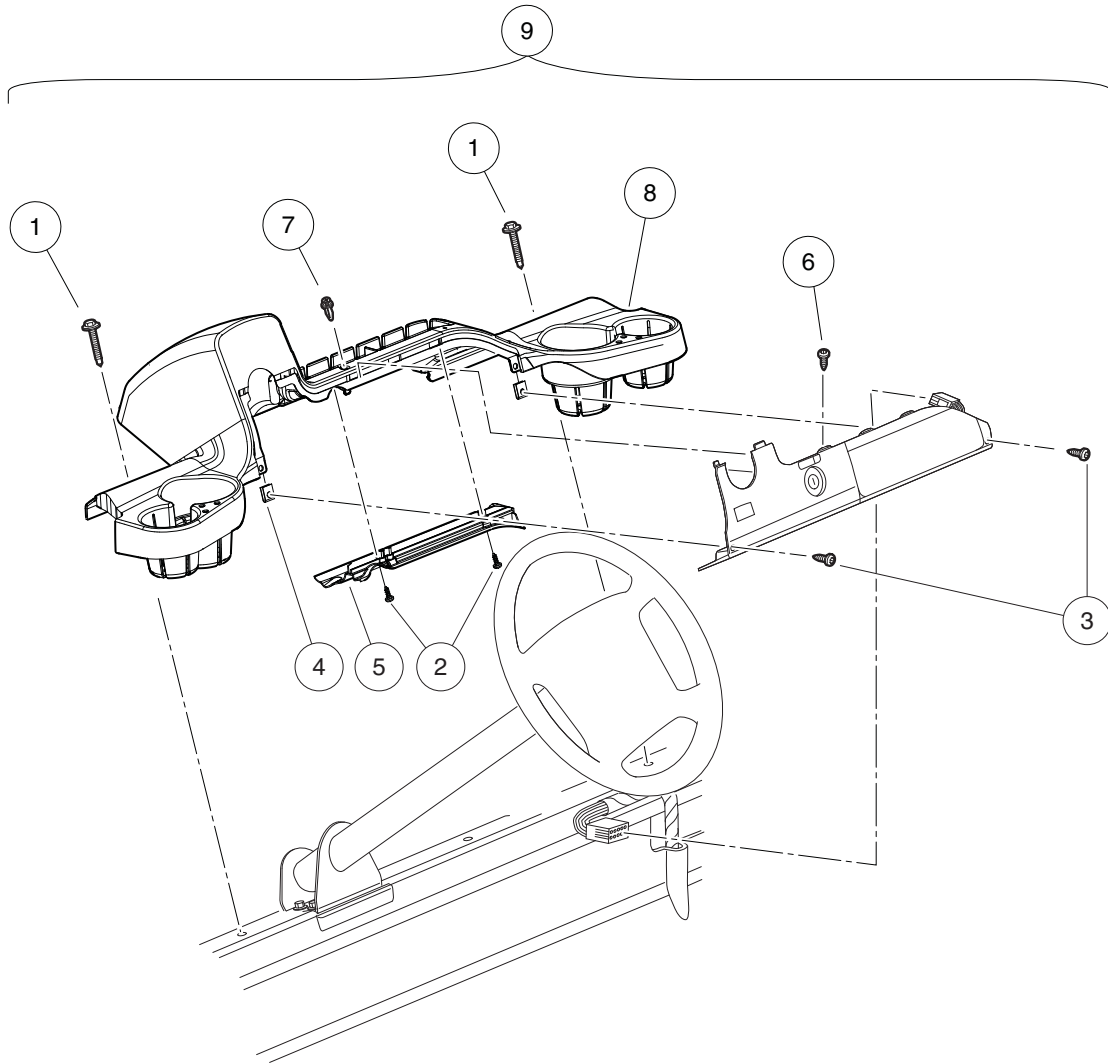
000730-005



## UNDERBODY COVERS (VEHICLE WITHOUT CANOPY)

ITEM	PART NO.	DESCRIPTION	QTY
		<b>1 2 3 4</b>	
1	102543903	Kit, Underbody Cover (includes items 2 through 7) .....	1
2	102299065	M8-1.25 X 65 Tx Bttn Hd Bolt .....	2
3	N/A	Support, Strut Cover .....	2
4	N/A	SAM Cap .....	2
5	102544201	Screw, M6 Hex .....	4
6	47589922001	Cover, Strut, Lh, Non-topped .....	1
7	47589922002	Cover, Strut, Rh, Non-topped .....	1

**1**  
**G**  
**E**



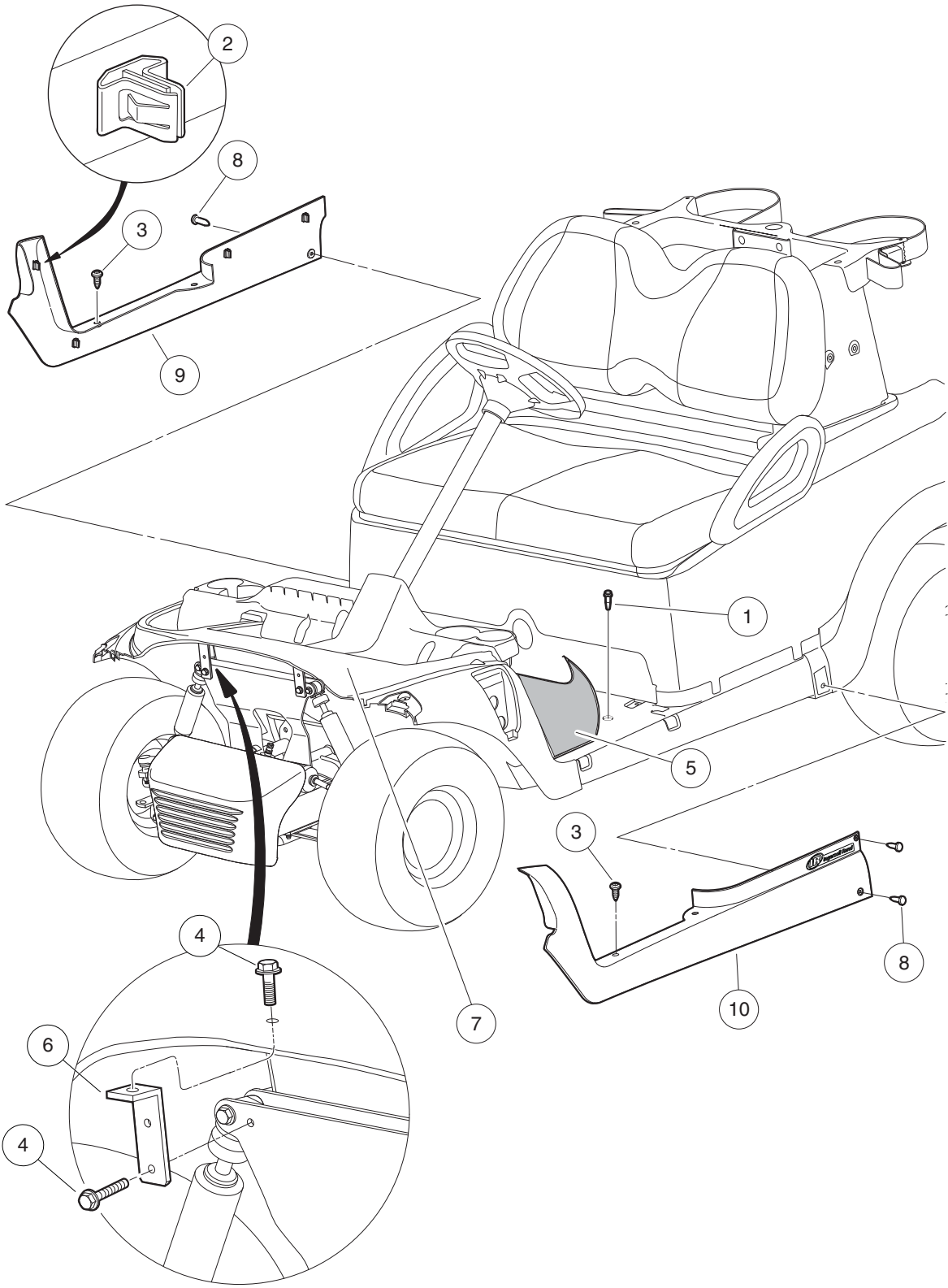
000438-005

# DASH

ITEM	PART NO.	DESCRIPTION	QTY
		<b>1 2 3 4</b>	
1	102292356	Screw-1/4-20x56 Hwh Self Drill .....	2
2	N/A	Screw-torx Pan Hd Pt,m6 X 16 .....	2
3	102296819	Screw-M6 x 19 .....	2
4	102297001	U-nut, 1/4" Type Ab .....	2
5	N/A	Drain Channel - Dash .....	1
6	102557201	Screw, #6-20 Type Abx1.00 Pan .....	1
7	102915601	Plastic Rivet - Tuflock .....	1
8	N/A	Dash .....	1
9	103402701	Dash Assembly .....	1
<p>Note: Item 9 Dash Assembly is comprised of items 2, 4, 5 and 8.</p>			

**1**  
**G**  
**E**

**1**  
**G**  
**E**

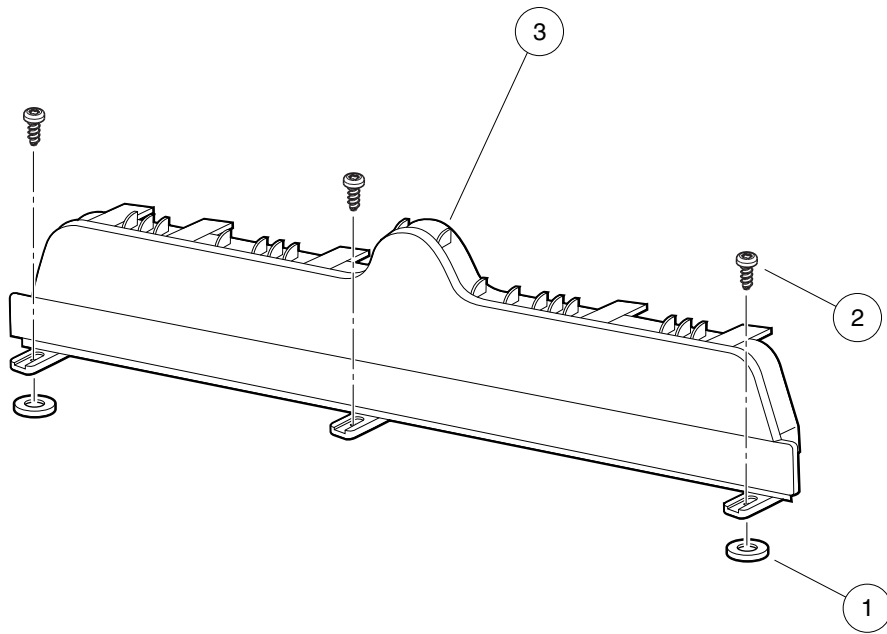


000497-007

# FLOOR MAT, RETAINERS, AND FRONT UNDERBODY

ITEM	PART NO.	DESCRIPTION	QTY
		1 2 3 4	
1	102292356	Screw-1/4-20x56 Hwh Self Drill .....	3
2	102292701	Clip-body-trim .....	8
3	102298020	Screw, K80x20, Torx Pn Hd Pt .....	4
4	102298716	M8-1.25x16 Taptite .....	4
5	102504802	Floormat .....	1
6	102521901	Bracket-clamshell .....	2
7	103635201	Underbody, Front, One Piece .....	1
8	105291501	Rivet, Plastic Tuflok, 8mm .....	4
9	105314001	Floormat Retainer, Passenger-side, Black .....	1
10	105314101	Floormat Retainer, Driver-side, Black .....	1
		Note: Item 7 is a special order item available upon request.	

**1**  
**G**  
**E**

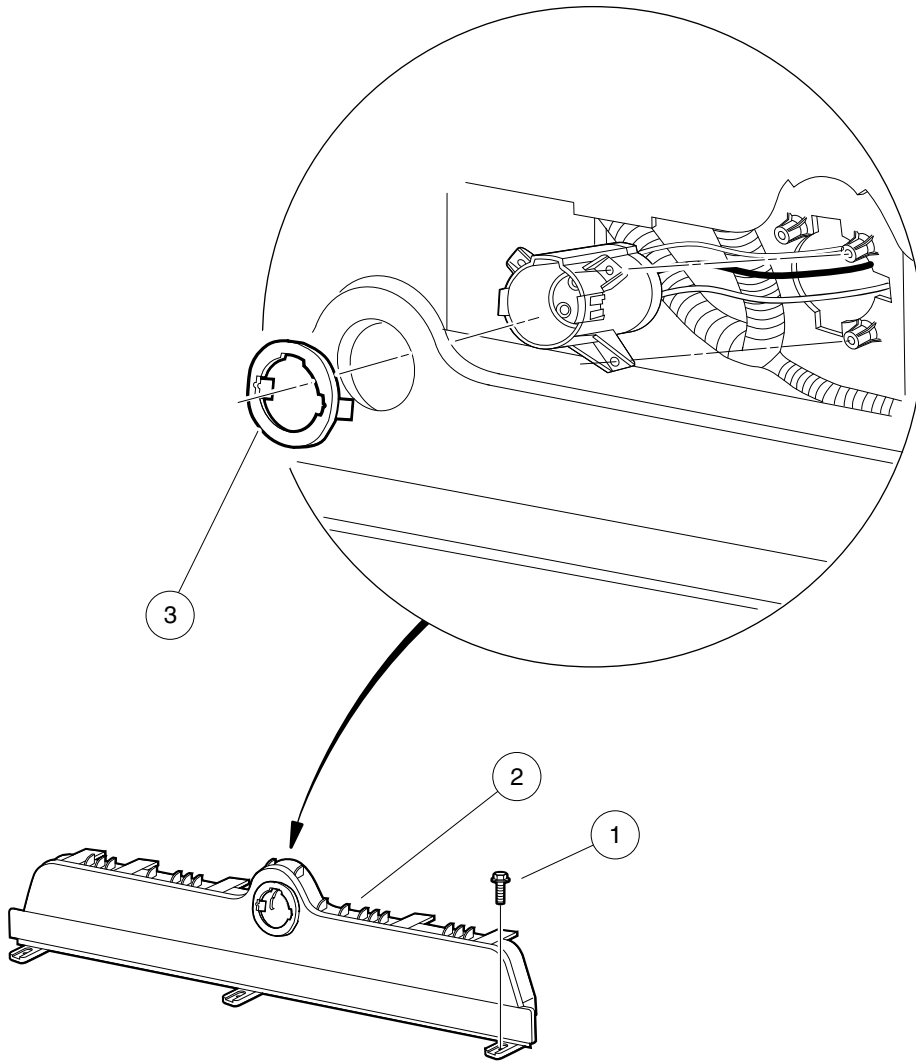


001059-001

# KICK PLATE – SUBARU EX40 GAS VEHICLE

ITEM	PART NO.	DESCRIPTION	QTY
		1 2 3 4	
1	1012571	Washer, 5/16 Extra Thick Flat .....	2
2	102298020	Screw, K80x20, Torx Pn Hd Pt .....	3
3	105005402	Plate, Kick, Black, Gas EFI .....	1





000500-003



# KICK PLATE – ELECTRIC VEHICLE

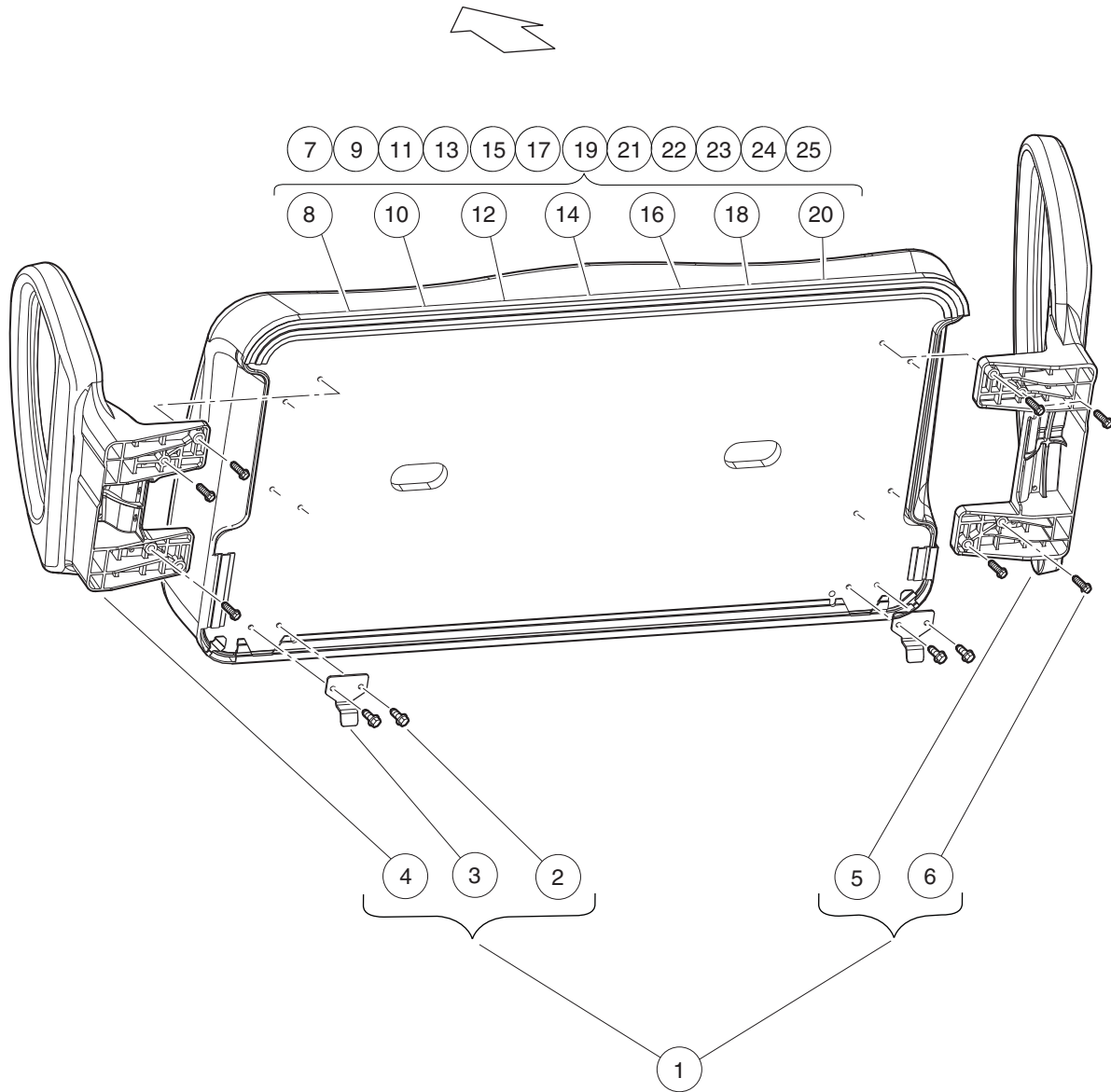
ITEM	PART NO.	DESCRIPTION	QTY
		<b>1 2 3 4</b>	
1	102298030	Screw, K80x30, Torx Pn Hd Pt .....	3
2	102508202	Plate - Electric Kick Blk .....	1
3	102516901	Socket Trim .....	1

1

G

E

**1**  
**G**  
**E**



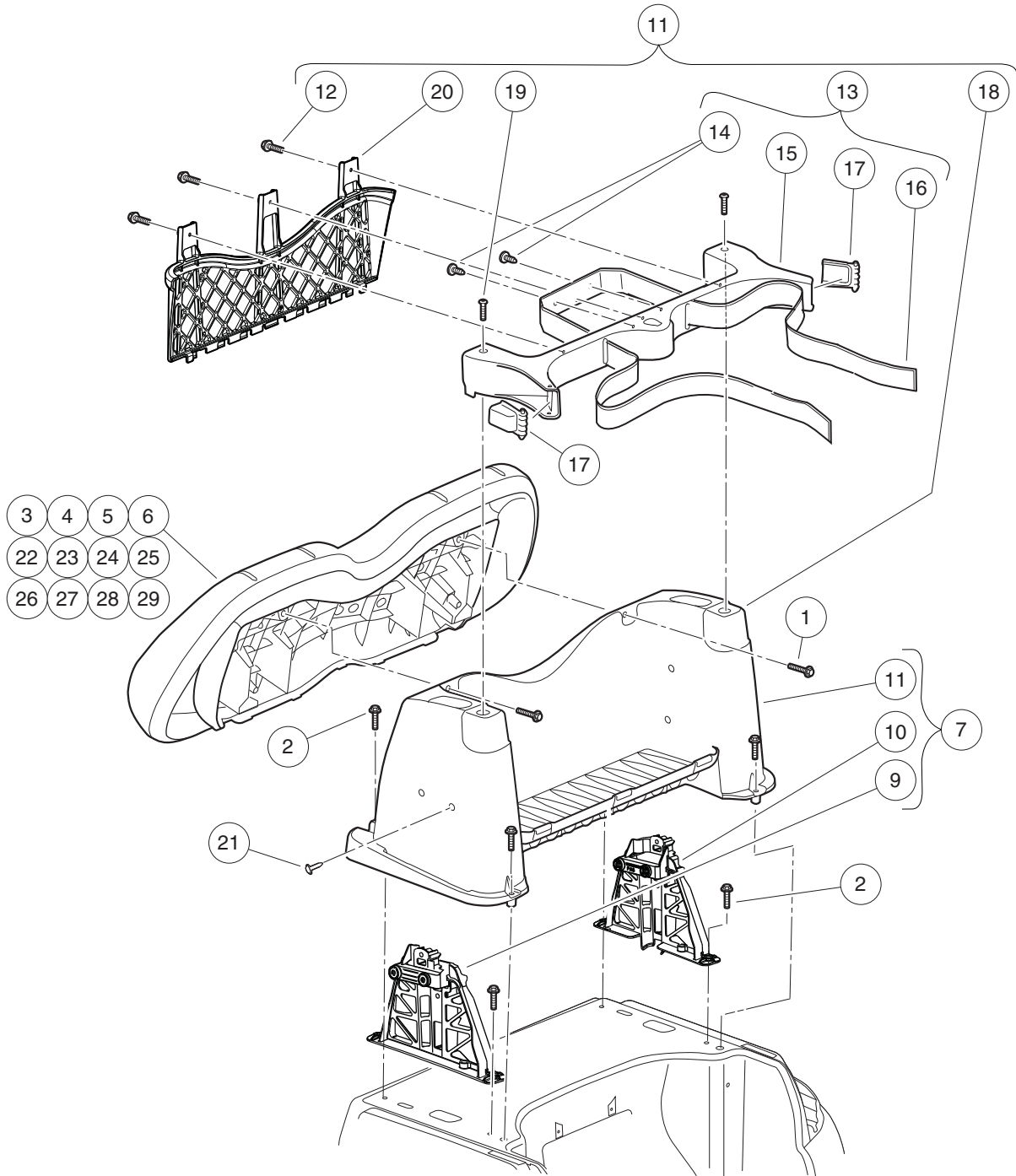
000440-008

# SEAT BOTTOM WITH HIP RESTRAINTS

ITEM	PART NO.	DESCRIPTION	QTY
		<b>1 2 3 4</b>	
1	103833901	Kit, Seat Bottom (includes items 2 through 6) .....	1
2	101954301	Screw, 1/4-20 X 0.75 Hex-Head Cap .....	4
3	103832901	Hinge, Seat Bottom .....	2
4	103833601	Hip Restraint, Drv .....	1
5	103833701	Hip Restraint, Pas .....	1
6	103833801	1/4-20 X 1.5 Hex Flg Patch .....	8
7	104023421	Seat Bottom Asm, Beige, Service Replacement (includes item 8) .....	1
8	101998501	Gasket, Seat .....	1
9	104023422	Seat Bottom Asm, White, Service Replacement (includes item 10) .....	1
10	101998501	Gasket, Seat .....	1
11	104023424	Seat Bottom Asm, Gray, Service Replacement (includes item 12) .....	1
12	101998501	Gasket, Seat .....	1
13	104023425	Seat Bottom Asm, Black, Service Replacement (includes item 14) .....	1
14	101998501	Gasket, Seat .....	1
15	105223321	Seat Bottom Asm, Premium, Light Beige, Service Replacement (includes item 16) .....	1
16	101998501	Gasket, Seat .....	1
17	105223322	Seat Bottom Asm, Premium, Camello, Service Replacement (includes item 18) .....	1
18	101998501	Gasket, Seat .....	1
19	105223323	Seat Bottom Asm, Premium, Off-White, Service Replacement (includes item 20) .....	1
20	101998501	Gasket, Seat .....	1
21	105223324	Seat Bottom Asm, Premium, Camello/Lt. Beige, Service Replacement .....	1
22	105223325	Seat Bottom Asm, Premium, Camello/Off-White, Service Replacement .....	1
23	105223326	Seat Bottom Asm, Premium, Lt. Beige/Off-White, Service Replacement .....	1
24	105223327	Seat Bottom Asm, Premium, Black, Service Replacement .....	1
25	105223328	Seat Bottom Asm, Premium, Black/Gray, Service Replacement .....	1

**1**  
**G**  
**E**

**1**  
**G**  
**E**



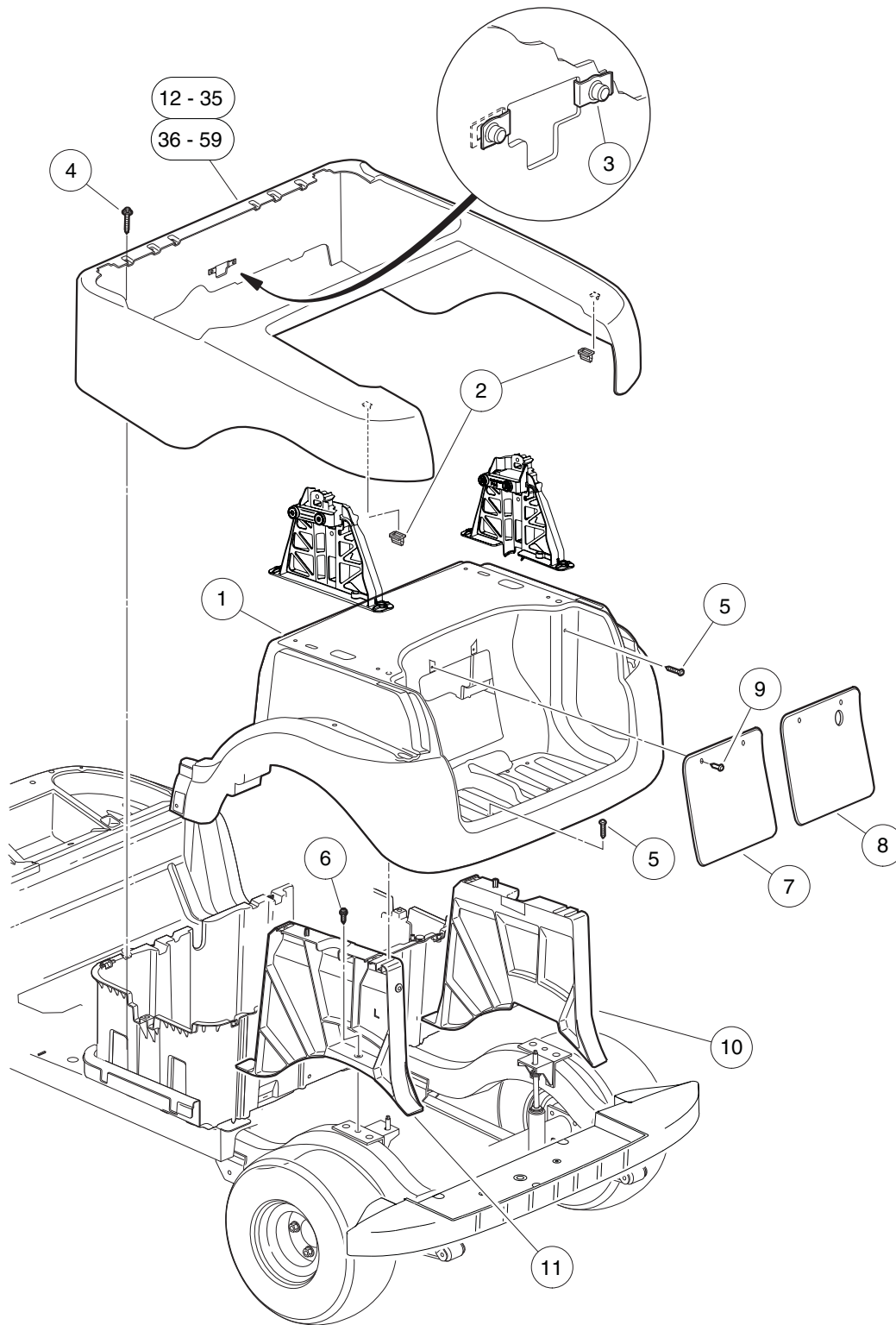
000435-011

# SEAT BACK, BACKREST, AND STRUCTURAL ACCESSORY MODULE (SAM)

ITEM	PART NO.	DESCRIPTION	QTY
		<b>1 2 3 4</b>	
1	102296530	Screw - M6 X 1.0 X 30 Sems .....	2
2	102298240	Bolt, Flange Head, M8-1.25 X 40 .....	6
3	103853121	Asm, Seat Back, Beige, Service Replacement .....	1
4	103853122	Asm, Seat Back, White, Service Replacement .....	1
5	103853124	Asm, Seat Back, Gray, Service Replacement .....	1
6	103853125	Asm, Seat Back, Black, Service Replacement .....	1
7	103952901	Kit, S.A.M. Assembly (includes items 8 through 11) .....	1
8	102297230	Screw, M6, Torx, Interlock Thread .....	4
9	103929301	Support- Canopy, Drv .....	1
10	103929302	Support- Canopy, Pass .....	1
11	N/A	Asm, S.A.M. (includes items 12 through 20) .....	1
12	102297230	Screw, M6, Torx, Interlock Thread .....	3
13	102504001	Asm, Bag Hoop (includes items 14 through 17) .....	1
14	1010434	Barrel - Plastic .....	2
15	102504201	Hoop-bag .....	1
16	102504301	Strap, Bag .....	1
17	102517001	Buckle-bag Strap .....	2
18	N/A	Structural Accessory Module (S.A.M.) .....	1
19	103327601	Screw, 5/16, Torx, Bosscrew .....	2
20	103699401	Panel, S.A.M., Prec .....	1
21	103978801	Barrel-push 6mm .....	4
22	105223421	Asm, Seat Back, Premium, Lt. Beige, Service Replacement .....	1
23	105223422	Asm, Seat Back, Premium, Camello, Service Replacement .....	1
24	105223423	Asm, Seat Back, Premium, Off-White, Service Replacement .....	1
25	105223424	Asm, Seat Back, Premium, Camello/Lt. Beige, Service Replacement .....	1
26	105223425	Asm, Seat Back, Premium, Camello/Off-White, Service Replacement .....	1
27	105223426	Asm, Seat Back, Premium, Lt. Beige/Off-White, Service Replacement .....	1
28	105223427	Asm, Seat Back, Premium, Black, Service Replacement .....	1
29	105223428	Asm, Seat Back, Premium, Black/Gray, Service Replacement .....	1
<p>Note: Screws (item 8) not shown. These are four new screws to replace those used to attach accessory mounting brackets to SAM (item 18).</p>			

**1**  
**G**  
**E**

**1**  
**G**  
**E**



000436-017

# REAR BODY

ITEM	PART NO.	DESCRIPTION	QTY
		<b>1 2 3 4</b>	
1	102279104	Underbody - Rear, Blk .....	1
2	102292701	Clip-body-trim .....	2
3	102296601	U-Nut, M6-1.0, Prevailing Torque .....	2
4	102297230	Screw, M6, Torx, Interlock Thread .....	4
5	102298030	Screw, K80x30, Torx Pn Hd Pt .....	4
6	102298720	Screw, M8-1.25x20, Taptite .....	2
7	102501402	Panel, Access, Black .....	1
8	102501403	Panel, Access, Black, with Punched Hole .....	1
9	102967901	Rivet, Removable, Tuflok 1/4" .....	2
10	103812901	Asm, Rear Underbody Support, Passenger-side .....	1
11	103813001	Asm, Rear Underbody Support, Driver-side .....	1
12	47589919001	Panel, Beauty, Rr, White .....	1
13	47589919002	Panel, Beauty, Rr, Beige .....	1
14	47589919003	Panel, Beauty, Rr, Platinum .....	1
15	47589919004	Panel, Beauty, Rr, Sangria .....	1
16	47589919005	Panel, Beauty, Rr, Cayenne .....	1
17	47589919006	Panel, Beauty, Rr, Green .....	1
18	47589919007	Panel, Beauty, Rr, Sapphire .....	1
19	47589919008	Panel, Beauty, Rr, Black .....	1
20	47589919009	Panel, Beauty, Rr, Mocha .....	1
21	47589919010	Panel, Beauty, Rr, Cashmere .....	1
22	47589919101	Panel, Beauty, Rr, Mt Glacier .....	1
23	47589919102	Panel, Beauty, Rr, Mt Platinum .....	1
24	47589919103	Panel, Beauty, Rr, Mt Cndy Apl .....	1
25	47589919104	Panel, Beauty, Rr, Mt Green .....	1
26	47589919105	Panel, Beauty, Rr, Mt Sapphire .....	1
27	47589919106	Panel, Beauty, Rr, Mt Black .....	1
28	47589919107	Panel, Beauty, Rr, Mt Mocha .....	1
29	47589919108	Panel, Beauty, Rr, Mt Prl Blue .....	1
30	47589919109	Panel, Beauty, Rr, Mt Atc Orng .....	1
31	47589919110	Panel, Beauty, Rr, Mt Syn Grn .....	1
32	47589919111	Panel, Beauty, Rr, Mt Beige .....	1
33	47589919112	Panel, Beauty, Rr, Flt White .....	1
34	47589919113	Panel, Beauty, Rr, Flt Beige .....	1
35	47589919114	Panel, Beauty, Rr, Flt Green .....	1
36	47589919201	Pnl, Bty, Rr, White, Sp .....	1
37	47589919202	Pnl, Bty, Rr, Beige, Sp .....	1
38	47589919203	Pnl, Bty, Rr, Platinum, Sp .....	1
39	47589919204	Pnl, Bty, Rr, Sangria, Sp .....	1
40	47589919205	Pnl, Bty, Rr, Cayenne, Sp .....	1
41	47589919206	Pnl, Bty, Rr, Green, Sp .....	1
42	47589919207	Pnl, Bty, Rr, Sapphire, Sp .....	1
43	47589919208	Pnl, Bty, Rr, Black, Sp .....	1
44	47589919209	Pnl, Bty, Rr, Mocha, Sp .....	1

**1**  
**G**  
**E**

**1**

**G**

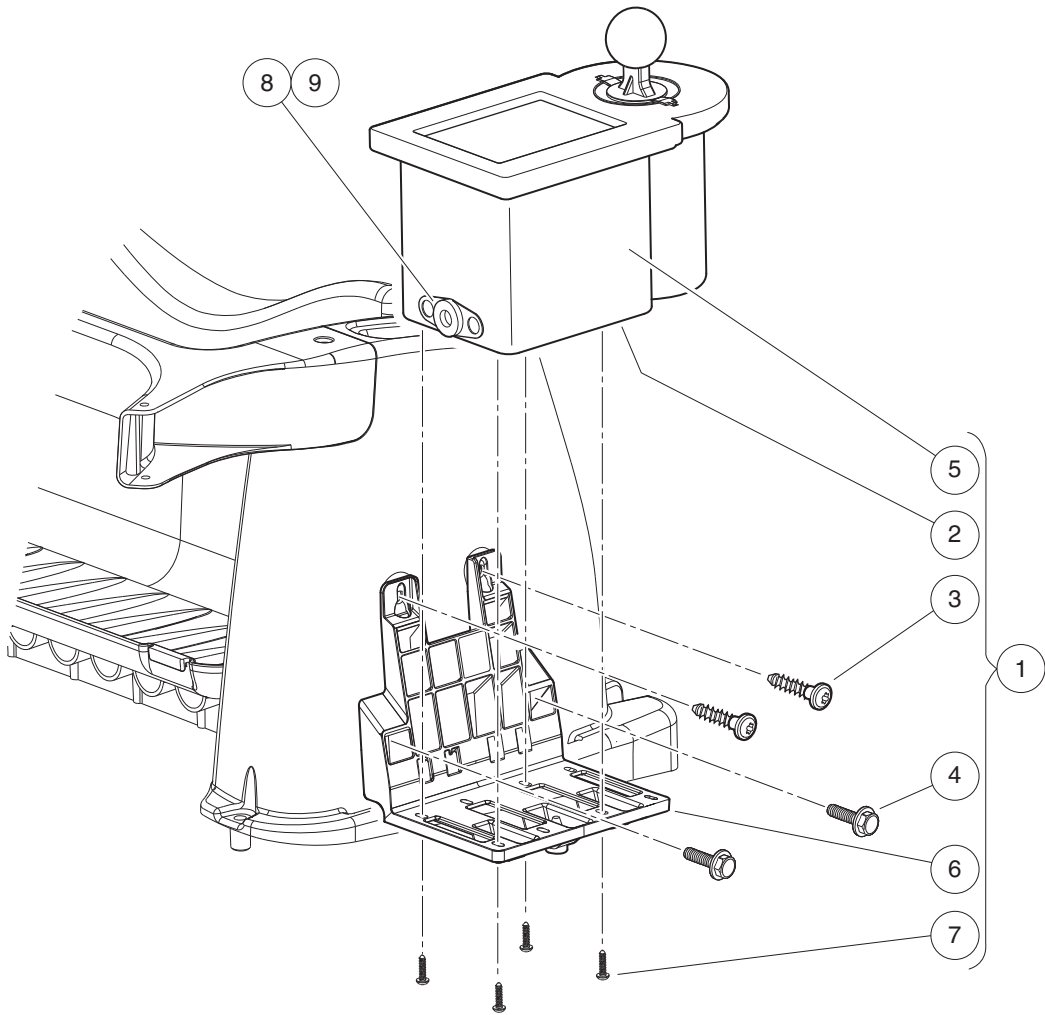
**E**



46	47589919301	Pnl, Bty, Rr, Mt Glacier, Sp .....	1
47	47589919302	Pnl, Bty, Rr, Mt Platinum, Sp .....	1

ITEM	PART NO.	DESCRIPTION	QTY
		<b>1 2 3 4</b>	
48	47589919303	Pnl, Bty, Rr, Mt Cndy Apl, Sp .....	1
49	47589919304	Pnl, Bty, Rr, Mt Green, Sp .....	1
50	47589919305	Pnl, Bty, Rr, Mt Sapphire, Sp .....	1
51	47589919306	Pnl, Bty, Rr, Mt Black, Sp .....	1
52	47589919307	Pnl, Bty, Rr, Mt Mocha, Sp .....	1
53	47589919308	Pnl, Bty, Rr, Mt Prl Blue, Sp .....	1
54	47589919309	Pnl, Bty, Rr, Mt Atc Orng, Sp .....	1
55	47589919310	Pnl, Bty, Rr, Mt Syn Grn, Sp .....	1
56	47589919311	Pnl, Bty, Rr, Mt Beige, Sp .....	1
57	47589919312	Pnl, Bty, Rr, Flt White, Sp .....	1
58	47589919313	Pnl, Bty, Rr, Flt Beige, Sp .....	1
59	47589919314	Pnl, Bty, Rr, Flt Green, Sp .....	1
		<p>Note: Item 7 is for use on vehicles without an onboard charger. Item 8 is for use on vehicles with an onboard charger. Items 36 through 59 are field replacement part numbers for the rear body.</p>	

**1**  
**G**  
**E**



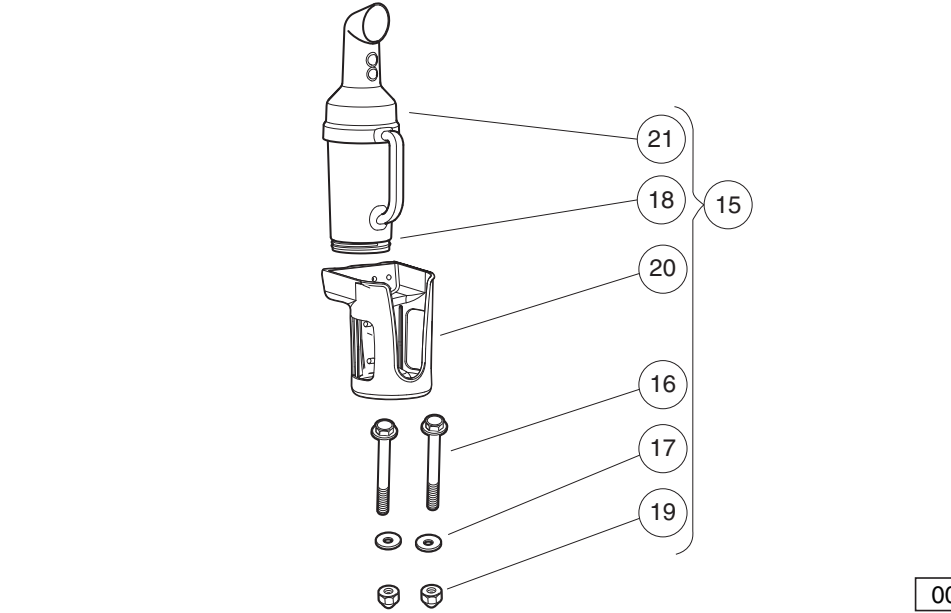
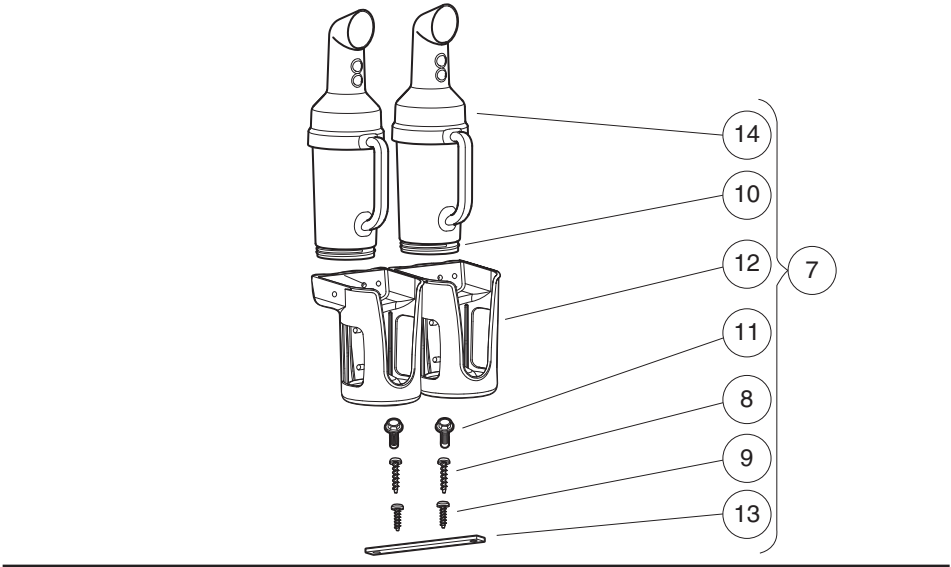
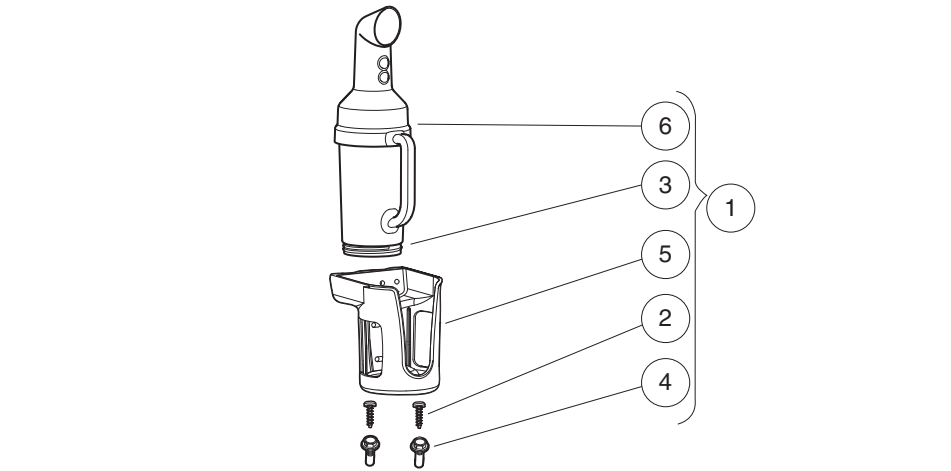
001046-002

# CLUB AND BALL CLEANER KIT

ITEM	PART NO.	DESCRIPTION	QTY
		<b>1 2 3 4</b>	
1	102538803	Ball Washer (includes items 2 through 7) .....	1
2	1010436	Bumper, Rubber .....	1
3	102297230	Screw, M6, Torx, Interlock Thread .....	2
4	102541401	Bolt-m6x1.0x20 Hex Flhd Blk-I .....	2
5	103662801	Washer, Ball, Black .....	1
6	103994101	Bracket, Ball Washer .....	1
7	1620	Screw, #10-16 X 0.75 Pan-Head Tap .....	4
8	AM1231201	Drain Plug, Club Clean .....	1
9	AM1292101	Drain Plug, Ball Washer, Tabbed .....	1

**1**  
**G**  
**E**

**1**  
**G**  
**E**



001048-002

# SAND BOTTLE KITS WITH HANDLES

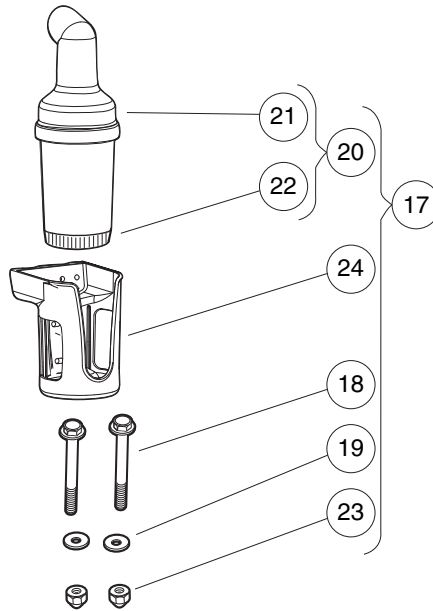
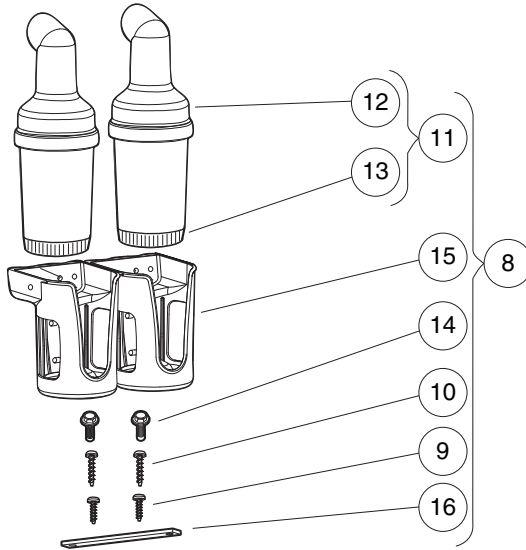
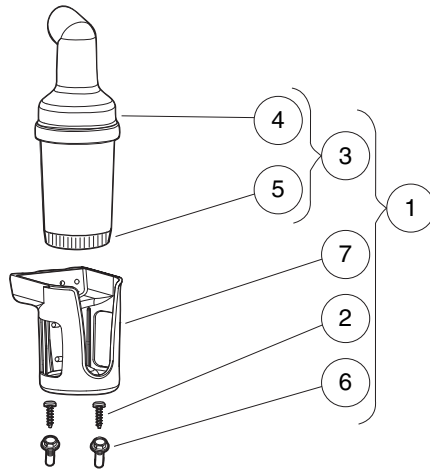
ITEM	PART NO.	DESCRIPTION	QTY
		<b>1 2 3 4</b>	
1	105291701	Kit, Hndl Sand Bttl, Sam, Sngl (includes items 2 through 6) .....	1
2	102297230	Screw, M6, Torx, Interlock Thread .....	2
3	102478101	Cap, Sand Bottle, Bottom-Fill .....	1
4	102541425	Bolt, M6x1.0x25, Hex Flhd, Blk-l .....	2
5	103451301	Basket, Sand Bottle .....	1
6	105284001	Sand Bottle Asm - Handled .....	1
7	105291702	Kit, Hndl Sand Bttl, Sam, Dual (includes items 8 through 14) .....	1
8	102296020	Screw-torx Pan Head Pt, M6x20 .....	2
9	102297230	Screw, M6, Torx, Interlock Thread .....	2
10	102478101	Cap, Sand Bottle, Bottom-Fill .....	2
11	102541425	Bolt, M6x1.0x25, Hex Flhd, Blk-l .....	2
12	103451301	Basket, Sand Bottle .....	2
13	103451401	Link, Dual Basket .....	1
14	105284001	Sand Bottle Asm - Handled .....	2
15	105291703	Kit, Hndl Sand Bttl, Strt (includes items 16 through 21) .....	1
16	102296150	Bolt - M6x1.0x50 Hex Flng Hd .....	2
17	102296301	Washer, M6x18x1.6 Flat .....	2
18	102478101	Cap, Sand Bottle, Bottom-Fill .....	1
19	102582401	Cap Nut M6, Sp .....	2
20	103451301	Basket, Sand Bottle .....	1
21	105284001	Sand Bottle Asm - Handled .....	1
<p style="margin-left: 40px;">Note: Sand bottle assembly is supplied with sand bottle cap.</p>			

1

G

E

**1**  
**G**  
**E**



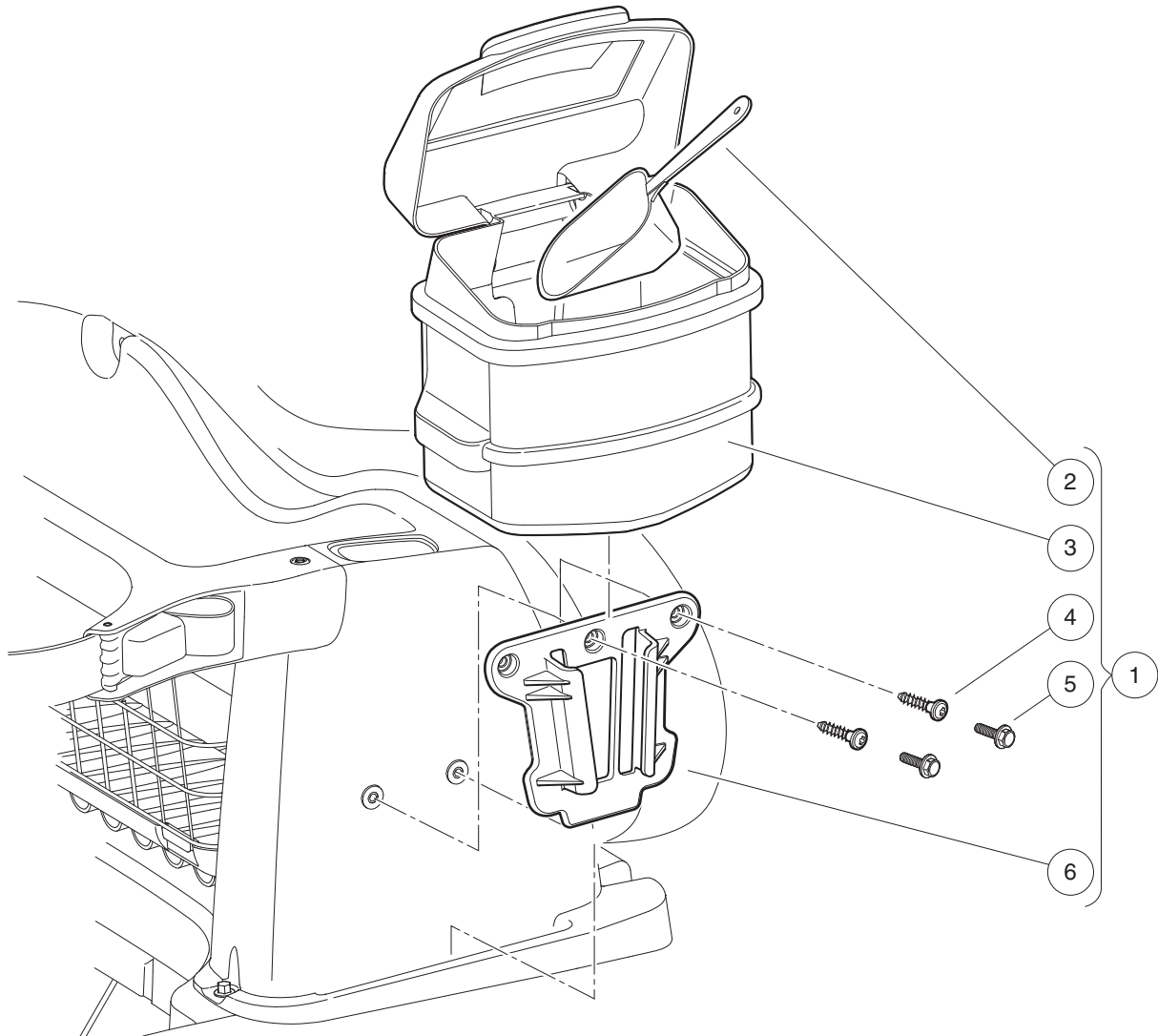
001048-001

# SAND BOTTLE KITS

ITEM	PART NO.	DESCRIPTION	QTY
		<b>1 2 3 4</b>	
1	103451901	Kit, Sand Bottle, Sam, Single (includes items 2 through 7) .....	1
2	102297230	Screw, M6, Torx, Interlock Thread .....	2
3	102478201	Asm, Sand Bottle, Bottom-Fill, Curve/Grip Neck (includes items 4 and 5) .....	1
4	N/A	Sand Bottle, Bottom-Fill, Curve/Grip Neck .....	1
5	102478101	Cap, Sand Bottle, Bottom-Fill .....	1
6	102541425	Bolt, M6x1.0x25, Hex Flhd, Blk-l .....	2
7	103451301	Basket, Sand Bottle .....	1
8	103451902	Kit, Sand Bottle, Sam, Dual (includes items 9 through 16) .....	1
9	102296020	Screw, Torx Pan Hd Pt, M6 X 20 .....	2
10	102297230	Screw, M6, Torx, Interlock Thread .....	2
11	102478201	Asm, Sand Bottle, Bottom-Fill, Curve/Grip Neck (includes items 12 and 13) .....	2
12	N/A	Sand Bottle, Bottom-Fill, Curve/Grip Neck .....	1
13	102478101	Cap, Sand Bottle, Bottom-Fill .....	1
14	102541425	Bolt, M6x1.0x25, Hex Flhd, Blk-l .....	2
15	103451301	Basket, Sand Bottle .....	2
16	103451401	Link, Dual Basket .....	1
17	103451903	Kit, Sand Bottle, Strut (includes items 18 through 24) .....	1
18	102296150	Bolt - M6x1.0x50 Hex Flng Hd .....	2
19	102296301	Washer, M6x18x1.6 Flat .....	2
20	102478201	Asm, Sand Bottle, Bottom-Fill, Curve/Grip Neck (includes items 21 and 22) .....	1
21	N/A	Sand Bottle, Bottom-Fill, Curve/Grip Neck .....	1
22	102478101	Cap, Sand Bottle, Bottom-Fill .....	1
23	102582401	Cap Nut M6, Sp .....	2
24	103451301	Basket, Sand Bottle .....	1

**1**  
**G**  
**E**

**1**  
**G**  
**E**



001047-001

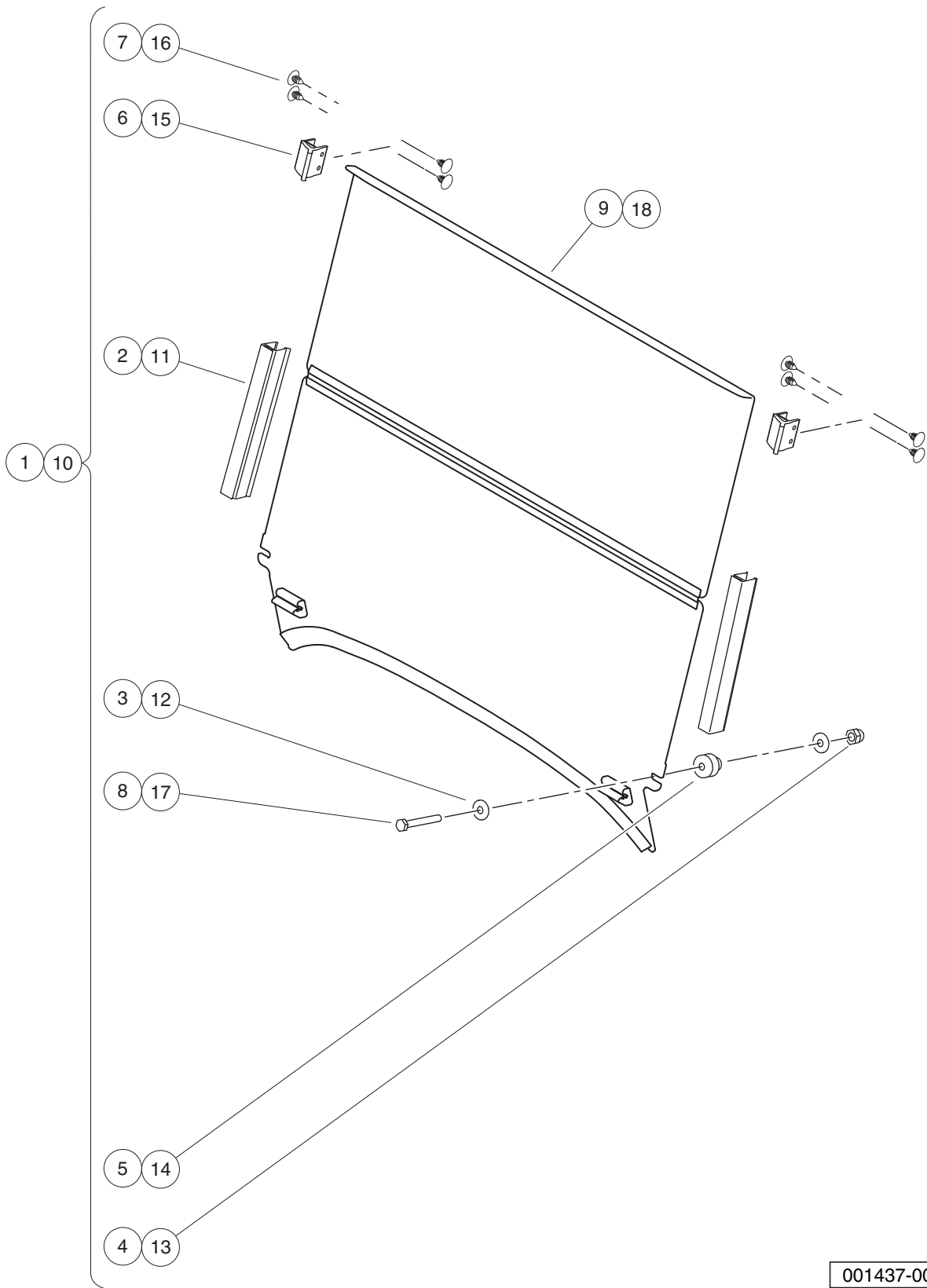


# SAND BUCKET KITS

ITEM	PART NO.	DESCRIPTION	QTY
		<b>1 2 3 4</b>	
1	102536103	Sand Bucket Instl, Field (includes items 2 through 6) .....	1
2	1017041	Scoop, Plastic Sand .....	1
3	101985201	Bucket Assy, Sand .....	1
4	102297230	Screw, M6, Torx, Interlock Thread .....	2
5	102541401	Bolt-m6x1.0x20 Hex Flhd Blk-I .....	2
6	103886801	Accessory Bracket .....	1

1  
G  
E

**1**  
**G**  
**E**



001437-002

# WINDSHIELD – HINGED

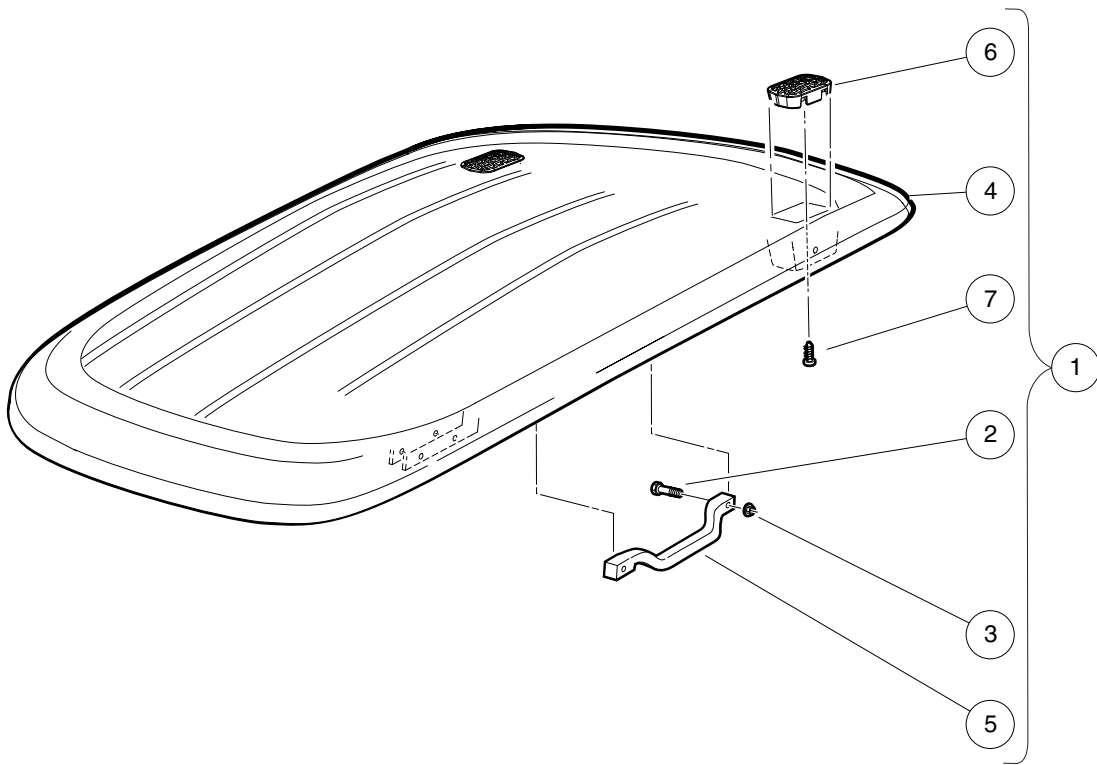
ITEM	PART NO.	DESCRIPTION	QTY
		<b>1 2 3 4</b>	
1	47542668001	Kit, Wndshield, NIM, A, Clear (includes items 2 through 9) .....	1
2	102163001	Windshield Channel .....	2
3	102296301	Washer, M6x18x1.6 Flat .....	4
4	102582401	Cap Nut M6, Sp .....	2
5	102947601	Grommet, Windshield .....	2
6	103677101	W/s, Rubber, Clip Retainer .....	2
7	103754901	Fastener, Barrel - .610 X .25 .....	8
8	105289701	M6x1.0x48 Hex Hd Bolt-blk .....	2
9	47542667001	Windshield, Nim, Style A, Clear .....	1
10	47542668002	Kit, Wndshield, NIM, A, Tinted (includes items 11 through 18) .....	1
11	102163001	Windshield Channel .....	2
12	102296301	Washer, M6x18x1.6 Flat .....	4
13	102582401	Cap Nut M6, Sp .....	2
14	102947601	Grommet, Windshield .....	2
15	103677101	W/s, Rubber, Clip Retainer .....	2
16	103754901	Fastener, Barrel - .610 X .25 .....	8
17	105289701	M6x1.0x48 Hex Hd Bolt-blk .....	2
18	47542667002	Windshld, Nim, Style A, T2404 .....	1

1

G

E

**1**  
**G**  
**E**



000439-009

# CANOPY – WHITE

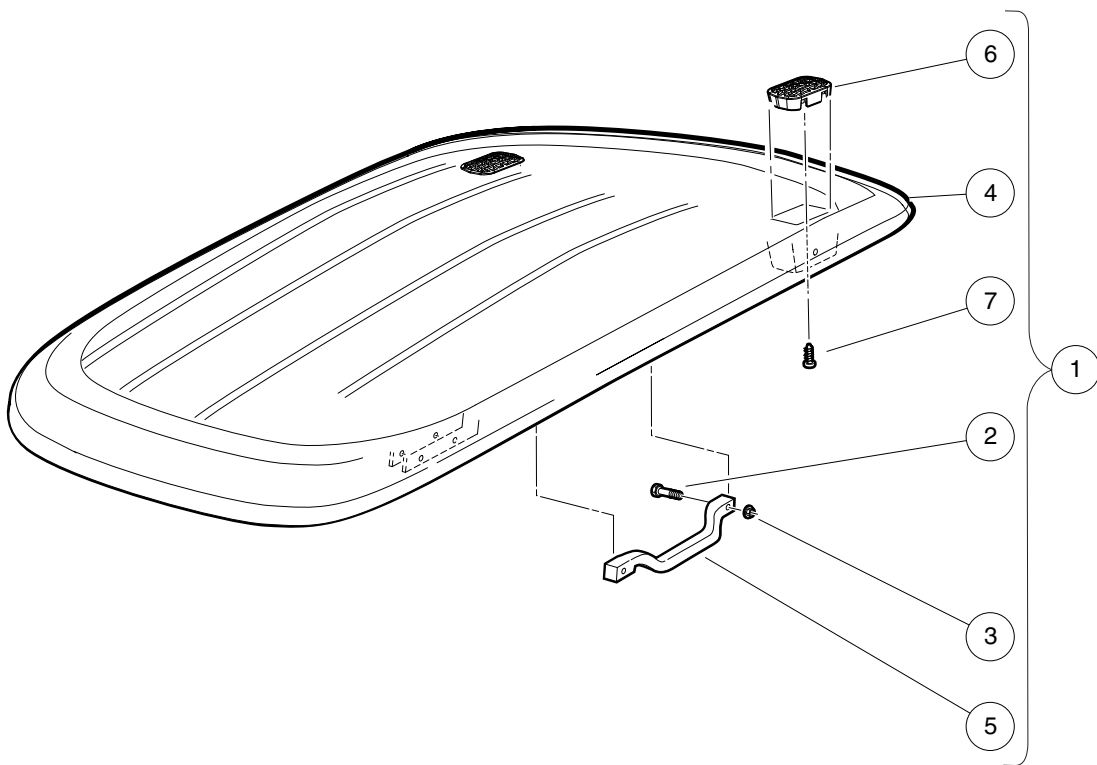
ITEM	PART NO.	DESCRIPTION	QTY
		<b>1 2 3 4</b>	
1	104008001	Asm, Canopy W/handles, White (includes items 2 through 7) .....	1
2	102296140	Bolt, Flanged Head, M6x1.0x40 .....	4
3	102296401	Nut, M6x1.0, Flange, Metal Lock .....	4
4	102508901	Canopy-white .....	1
5	102511601	Handle, Canopy (White) .....	2
6	103205101	Cover, Drain, Canopy .....	2
7	103210101	Screw, #8 X.75, Torx, Tapping .....	2

1  
G  
E

1

G

E



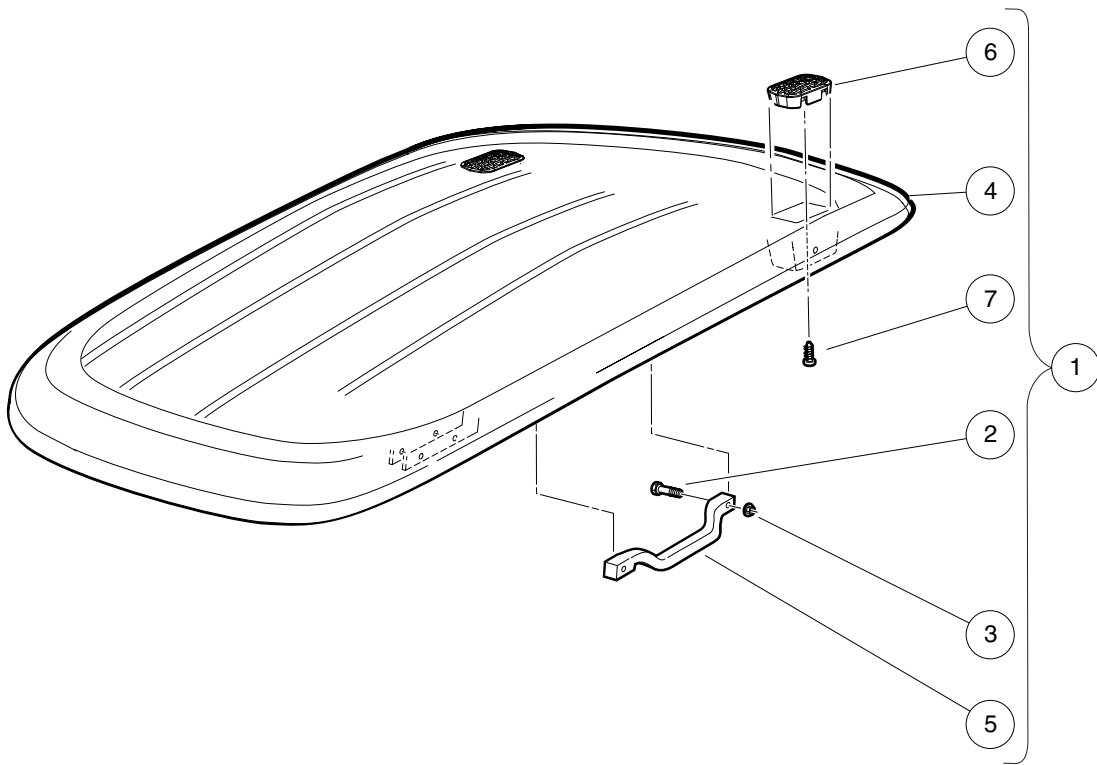
000439-009

# CANOPY – BEIGE

ITEM	PART NO.	DESCRIPTION	QTY
		<b>1 2 3 4</b>	
1	104008002	Asm, Canopy W/handles, Beige (includes items 2 through 7) .....	1
2	102296140	Bolt, Flanged Head, M6x1.0x40 .....	4
3	102296401	Nut, M6x1.0, Flange, Metal Lock .....	4
4	102508902	Canopy-beige .....	1
5	102511602	Handle, Canopy (Beige) .....	2
6	103205101	Cover, Drain, Canopy .....	2
7	103210101	Screw, #8 X.75, Torx, Tapping .....	2

1  
G  
E

**1**  
**G**  
**E**



000439-009

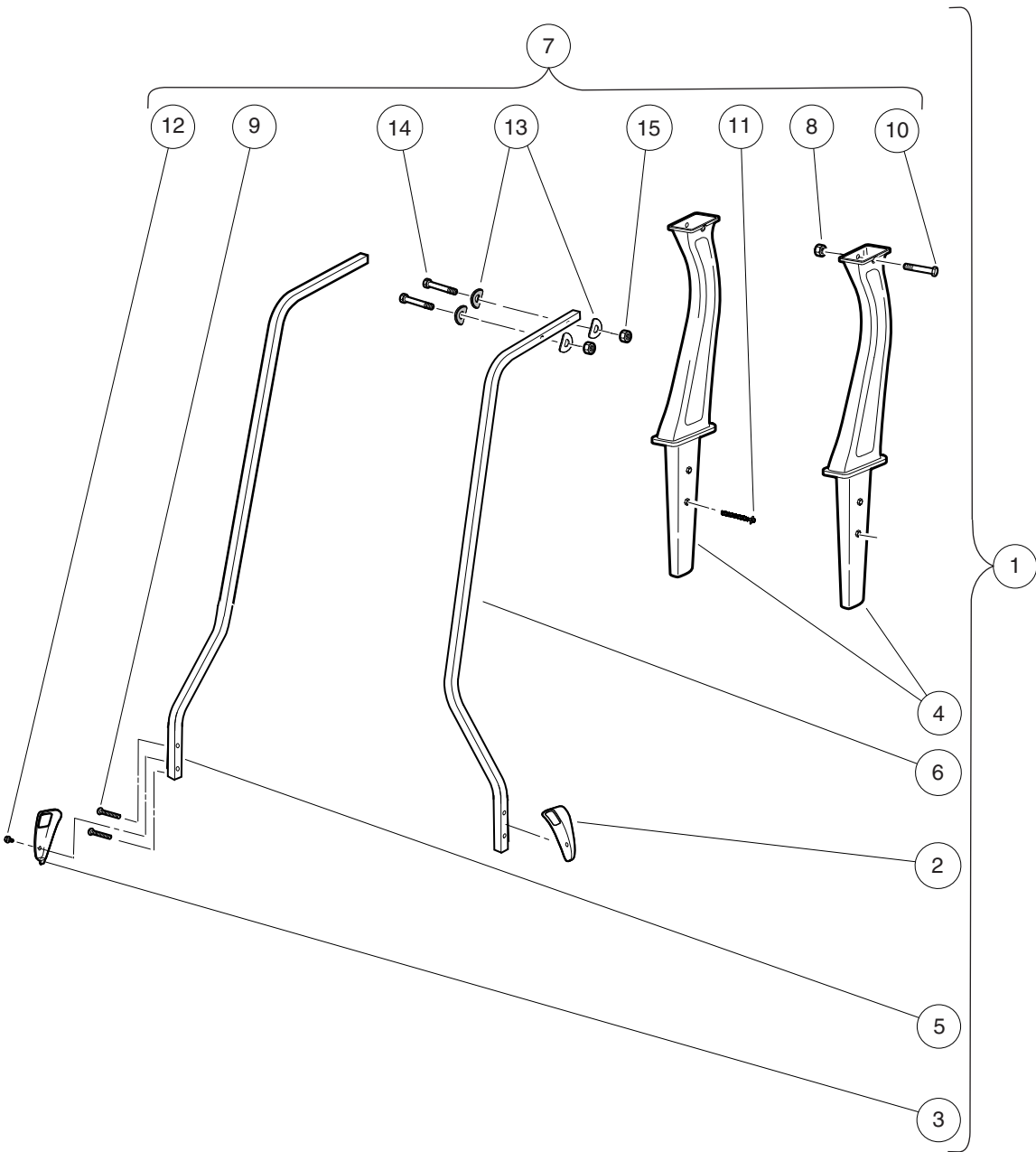


# CANOPY – BLACK

ITEM	PART NO.	DESCRIPTION	QTY
		<b>1 2 3 4</b>	
1	104008003	Asm, Canopy W/handles, Black (includes items 2 through 7) .....	1
2	102296140	Bolt, Flanged Head, M6x1.0x40 .....	4
3	102296401	Nut, M6x1.0, Flange, Metal Lock .....	4
4	102508903	Canopy-black .....	1
5	102511603	Handle-canopy (black) .....	2
6	103205101	Cover, Drain, Canopy .....	2
7	103210101	Screw, #8 X.75, Torx, Tapping .....	2

1  
G  
E

**1**  
**G**  
**E**



000439-010

# CANOPY STRUTS

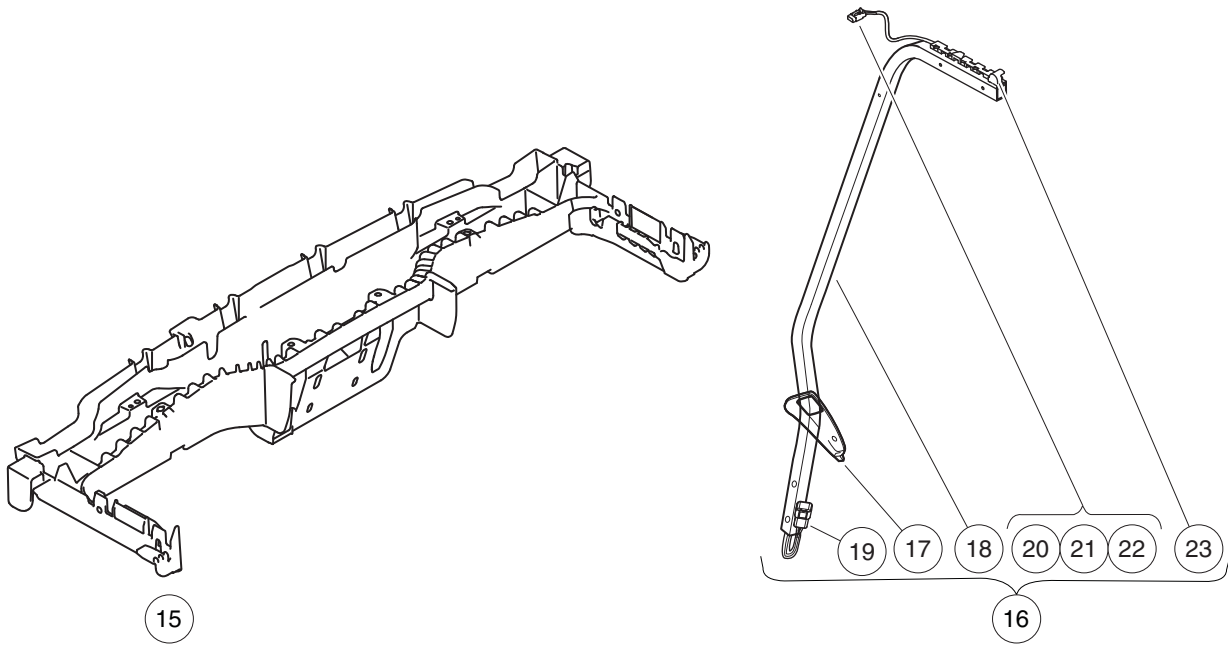
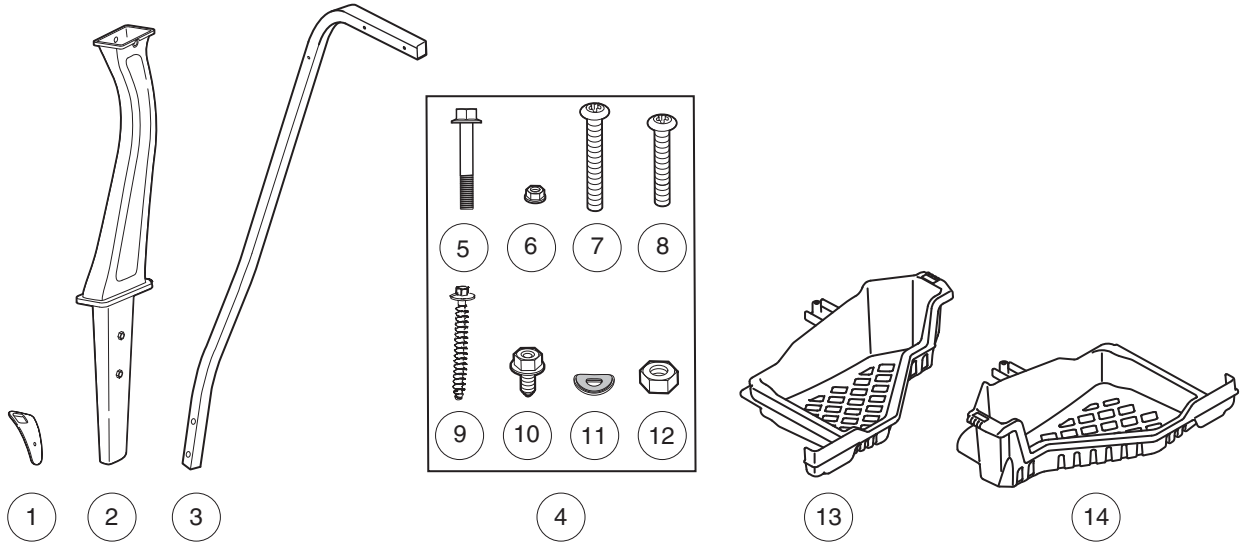
ITEM	PART NO.	DESCRIPTION	QTY
		1 2 3 4	
1	104008901	Kit, Sp, Struts, Std (includes items 2 through 7) .....	1
2	102400002	Cover, Canopy Support, Driver-side, Black .....	1
3	102400102	Cover, Canopy Support, Passenger-side, Black .....	1
4	102513501	Asm-rear Canopy Support .....	2
5	103750001	Strut, Canopy Front, Passenger-side .....	1
6	103750101	Strut, Canopy Front, Driver-side .....	1
7	104008501	Kit, Hardware, Canopy, Std (includes items 8 through 15) .....	1
8	102298401	Nut,m8,all Metal Lock .....	2
9	102299065	M8-1.25 X 65 Tx Bttm Hd Bolt .....	4
10	102299360	Screw, M8-1.25 X 60, Sems, Tx .....	2
11	102299601	Screw, Pt, K80x70 Hex Flg Hd .....	2
12	102544201	Screw, M6 Hex .....	2
13	103196001	Washer, Conical Spring, Canopy .....	8
14	103199301	Bolt - M6 X 1 X 45 Hh Grey .....	4
15	103200301	Nut, M6 x 1.00 .....	4

1

G

E

**1**  
**G**  
**E**

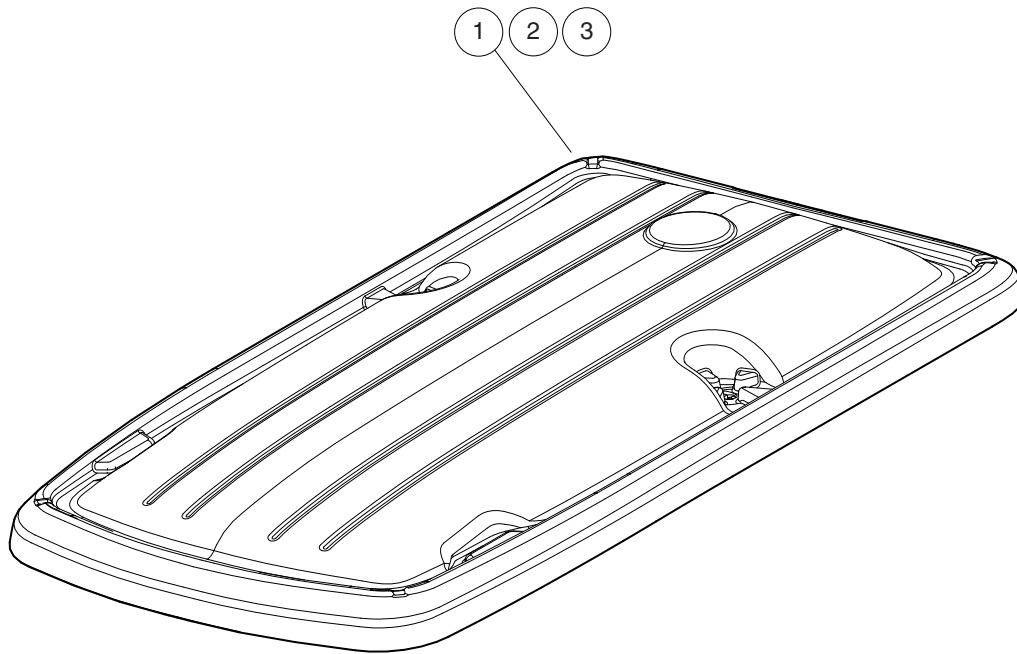


001440-001

# VISAGE CANOPY STRUTS AND CONSOLE

ITEM	PART NO.	DESCRIPTION	QTY
		1 2 3 4	
1	102400002	Cover, Canopy Support, Driver-side, Black .....	1
2	102513501	Asm-rear Canopy Support .....	2
3	103750101	Strut, Canopy Front, Driver-side .....	1
4	104008503	Kit, Hardware, Canopy (includes items 5 through 12) .....	1
5	102296150	Bolt - M6x1.0x50 Hex Flng Hd .....	4
6	102298401	Nut, M8, All Metal Lock .....	2
7	102299065	M8-1.25 X 65 Tx Bttm Hd Bolt .....	4
8	102299360	Screw, M8-1.25 X 60, Sems, Tx .....	2
9	102299601	Screw, Pt, K80x70 Hex Flg Hd .....	2
10	102544201	Screw, M6 Hex .....	2
11	103196001	Washer, Conical Spring, Canopy .....	8
12	103200301	Nut, M6 x 1.00 .....	4
13	47559264001	Basket, Overhead, Driver-side .....	1
14	47559264002	Basket, Overhead, Passenger-side .....	1
15	47559265001	Support, Display Unit .....	1
16	47561477001	Asm, Strut, Visage, R.h. (includes items 17 through 23) .....	1
17	102400102	Cover, Canopy Support, Passenger-side, Black .....	1
18	103750001	Strut, Canopy Front, Passenger-side .....	1
19	N/A	Brkt, Tree-stud Mount, Dt/dtm .....	1
20	N/A	Conn, Plug, Dtm, 3 Pin, Blk .....	1
21	N/A	Lock, Wedge, Dtm, Plug .....	1
22	47554736001	Harness, Visage, Strut, G/e .....	1
23	47559268001	Retainer, Wire Harness .....	1

**1**  
**G**  
**E**



000439-012

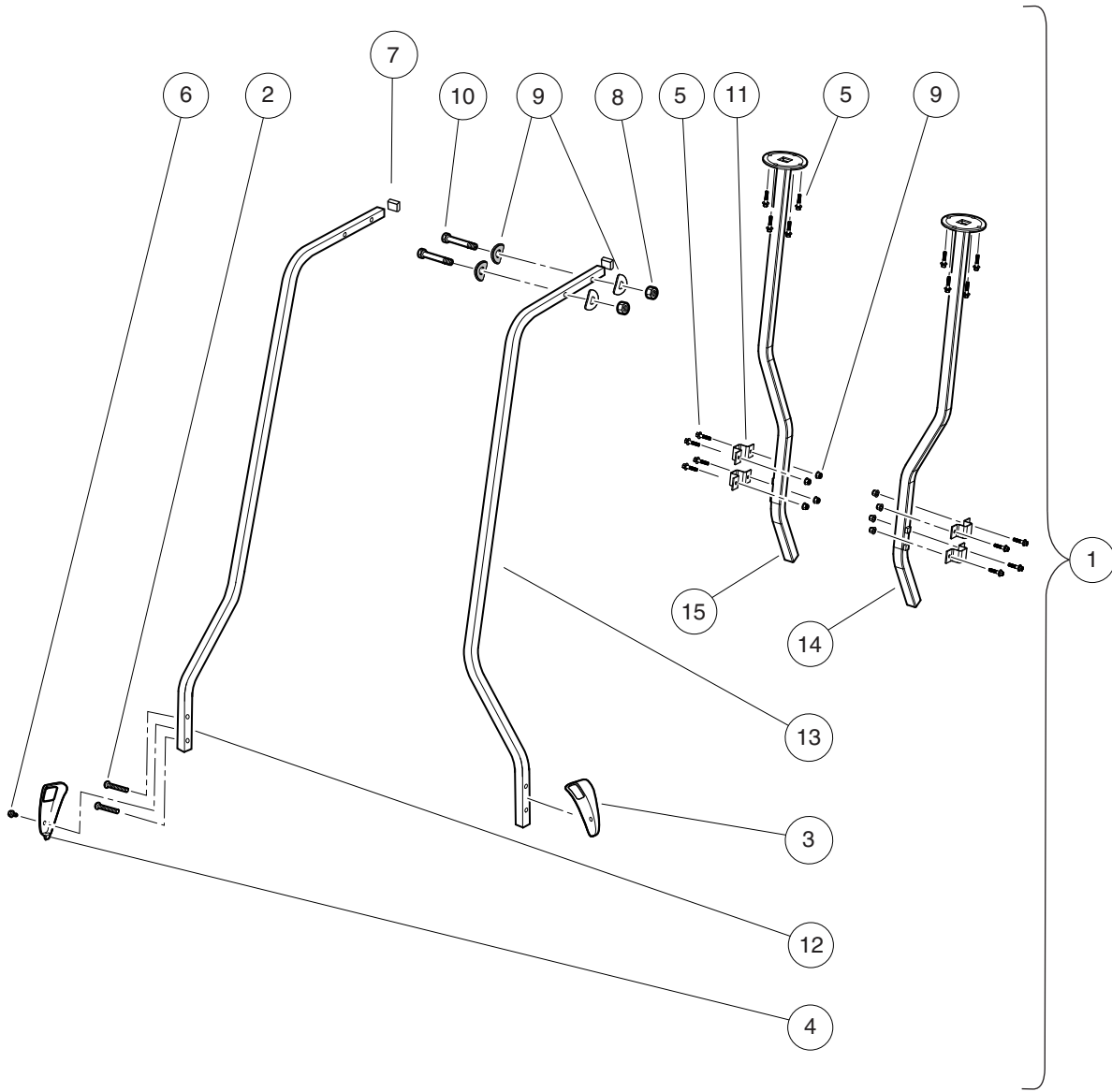
# FOUR-PASSENGER MONSOON CANOPY

ITEM	PART NO.	DESCRIPTION	QTY
		1 2 3 4	
1	103286201	Asm, Canopy 4p Monsoon XI, Wht .....	1
2	103286202	Asm, Canopy 4p Monsoon XI, Bge .....	1
3	103286203	Asm, Canopy 4p Monsoon XI, Blk .....	1

1

G

E



000439-013

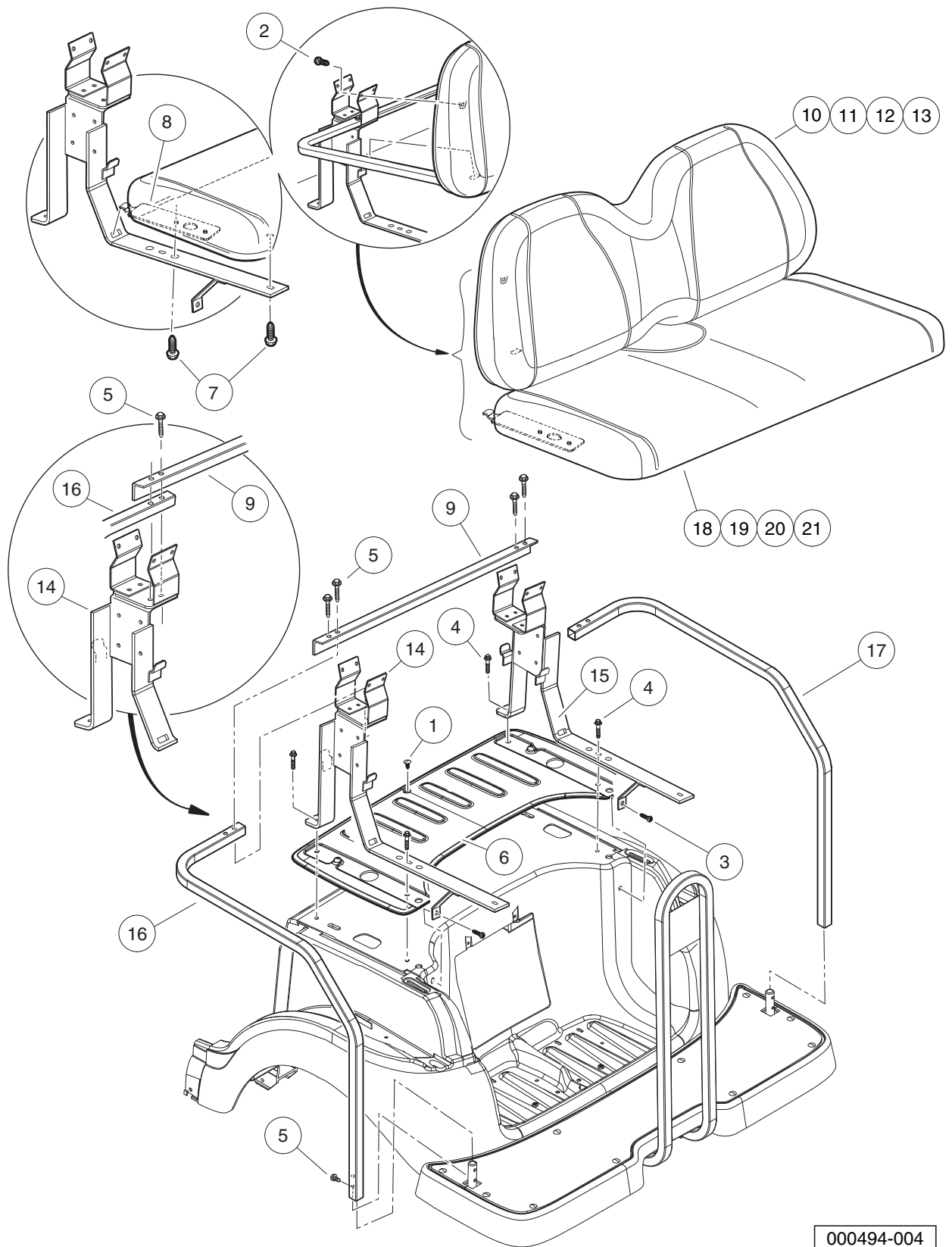


## FOUR-PASSENGER MONSOON CANOPY STRUTS

ITEM	PART NO.	DESCRIPTION	QTY
		<b>1 2 3 4</b>	
1	103725701	Kit- Canopy 4 Pass Strut (includes items 2 through 15) .....	1
2	102299065	M8-1.25 X 65 Tx Bttn Hd Bolt .....	4
3	102400002	Cover, Canopy Support, Driver-side, Black .....	1
4	102400102	Cover, Canopy Support, Passenger-side, Black .....	1
5	102541425	Bolt, M6x1.0x25, Hex Flhd, Blk-l .....	16
6	102544201	Screw, M6 Hex .....	2
7	102581201	Plug, Square - 25.4 mm .....	2
8	102621501	Nut, Flange, M6 X 1.0, Nylon .....	12
9	103196001	Washer, Conical Spring, Canopy .....	8
10	103199301	Bolt - M6 X 1 X 45 Hh Grey .....	4
11	103653201	Bracket- Hat, Strut .....	4
12	103750001	Strut, Canopy Front, Passenger-side .....	1
13	103750101	Strut, Canopy Front, Driver-side .....	1
14	103816401	Weldment- Drain Strut, Drv .....	1
15	103816402	Weldment- Drain Strut, Pas .....	1

**1**  
**G**  
**E**

**1**  
**G**  
**E**

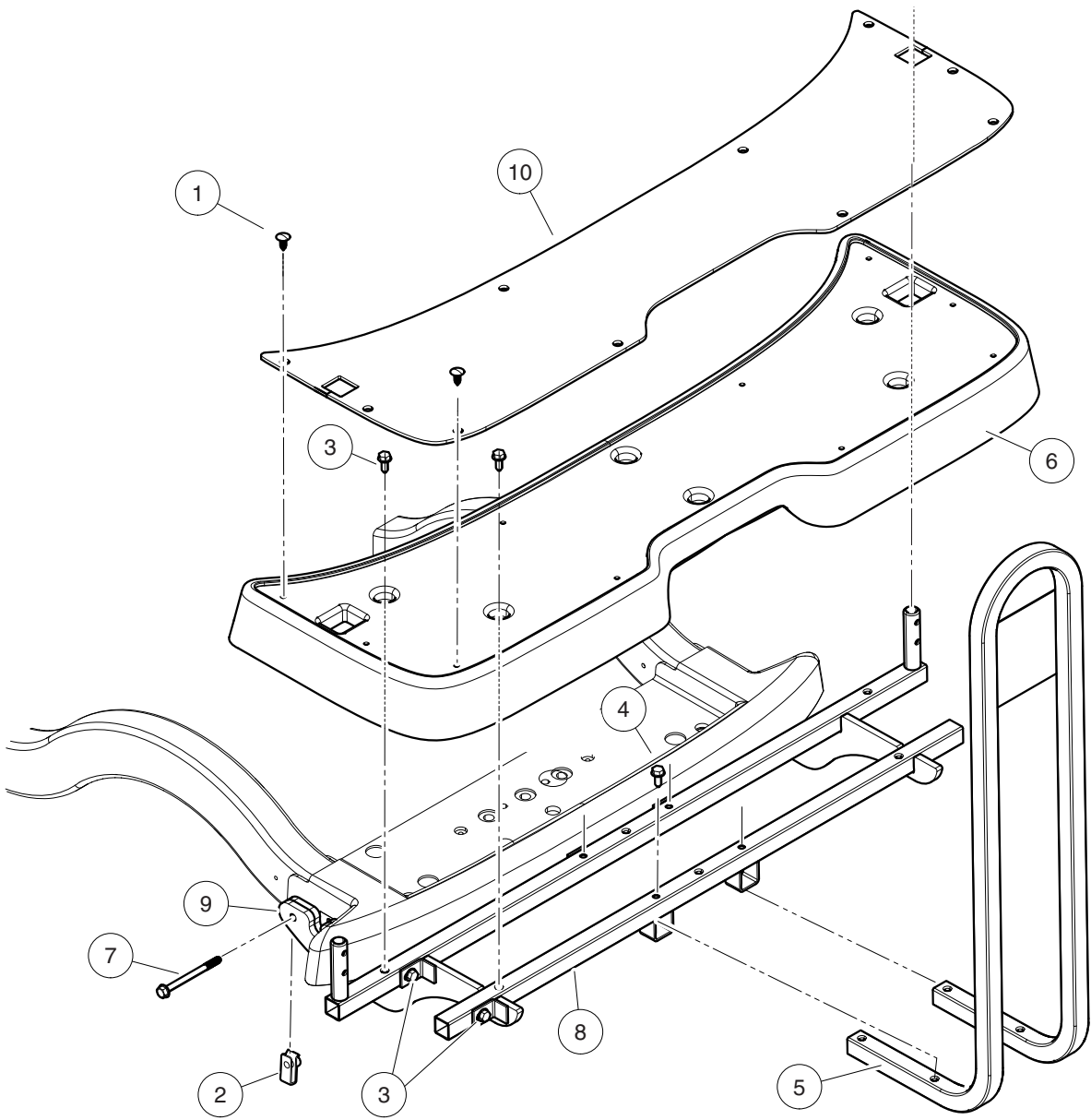


000494-004

# REAR SEAT

ITEM	PART NO.	DESCRIPTION	QTY
		<b>1 2 3 4</b>	
1	1010434	Barrel - Plastic .....	10
2	102296530	Screw - M6 X 1.0 X 30 Sems .....	4
3	102298030	Screw, K80x30, Torx Pn Hd Pt .....	2
4	102298240	Bolt, Flange Head, M8-1.25 X 40 .....	1
5	102298745	M8-1.25x45 Taptite .....	10
6	102531502	Cover- 4 Pass W/canopy .....	1
7	102541425	Bolt, M6x1.0x25, Hex Flhd, Blk-l .....	4
8	102573101	Bracket, 4-pass Lower Seat .....	2
9	103653001	Angle, Strut, Tie .....	1
10	103853121	Asm, Seat Back, Beige, Service Replacement .....	1
11	103853122	Asm, Seat Back, White, Service Replacement .....	1
12	103853124	Asm, Seat Back, Gray, Service Replacement .....	1
13	103853125	Asm, Seat Back, Black, Service Replacement .....	1
14	103866801	Weldment, Sprt, 4pass, Drv .....	1
15	103866802	Weldment, Sprt, 4pass .....	1
16	103866901	Restraint-lh 4pass Hip .....	1
17	103866902	Restraint-rh 4pass Hip .....	1
18	105101221	Service, Beige, 4pass Rear Btm .....	1
19	105101222	Service, White, 4pass Rear Btm .....	1
20	105101224	Service, Gray, 4pass Rear Btm .....	1
21	105101225	Service, Black, 4pass Rear Btm .....	1

**1**  
**G**  
**E**



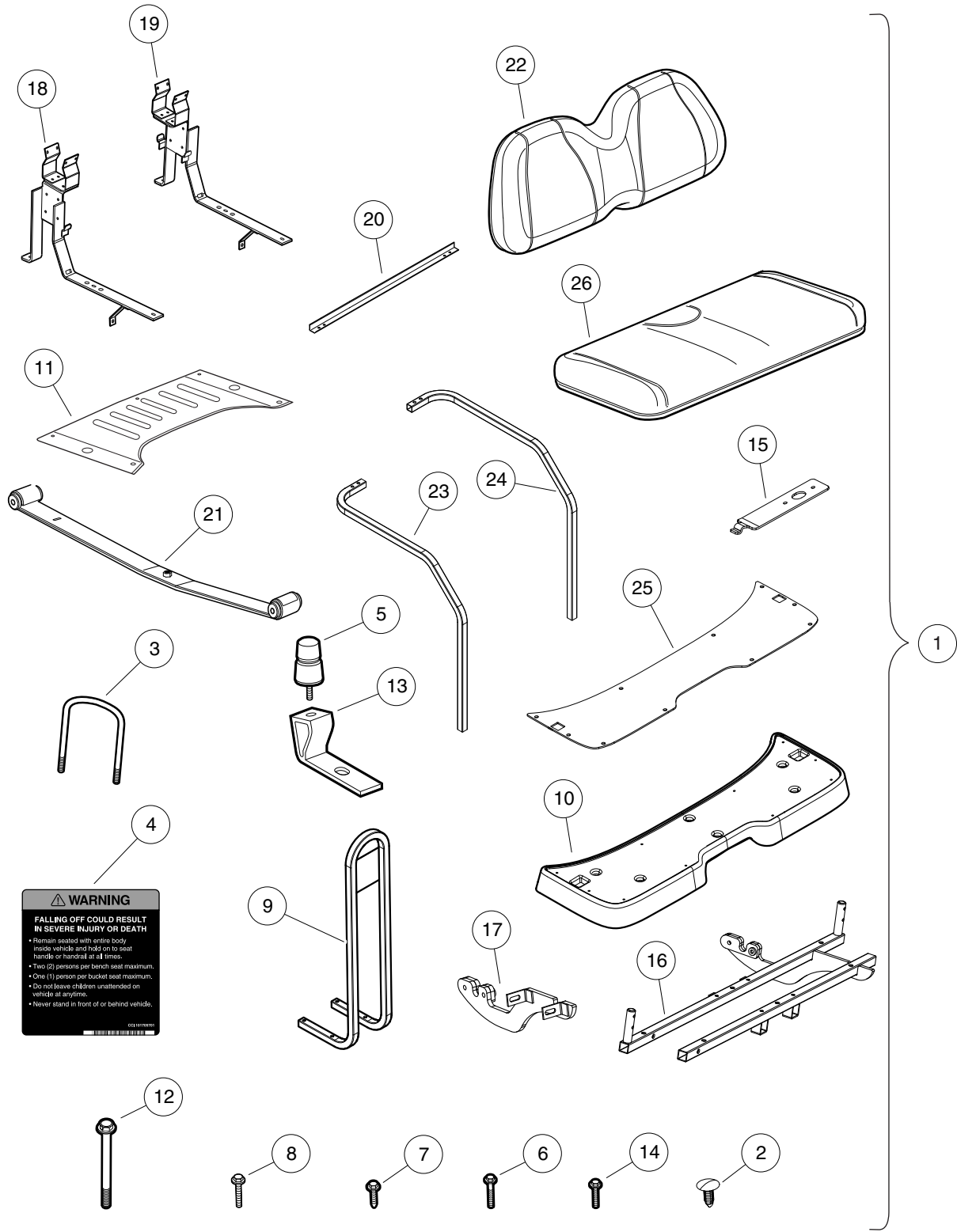
000493-004

# REAR FOOTDECK ASSEMBLY

ITEM	PART NO.	DESCRIPTION	QTY
		1 2 3 4	
1	1010434	Barrel - Plastic .....	10
2	102298601	J-clip - M8 X 1.25 .....	4
3	102298720	Screw, M8-1.25x20, Taptite .....	8
4	102298745	M8-1.25x45 Taptite .....	4
5	102531001	Handrail Weldment, Rear Seat .....	1
6	102531402	Footdeck, 4-Passenger, Black .....	1
7	102534201	Bolt - Fl Hd, M8 X 95 .....	4
8	102584701	Weld, 4-pass Footdeck-a .....	1
9	102584801	Weld, 4-pass Footdeck-b .....	1
10	103922401	Floormat, 4-pass, Rear .....	1

**1**  
**G**  
**E**

**1**  
**G**  
**E**



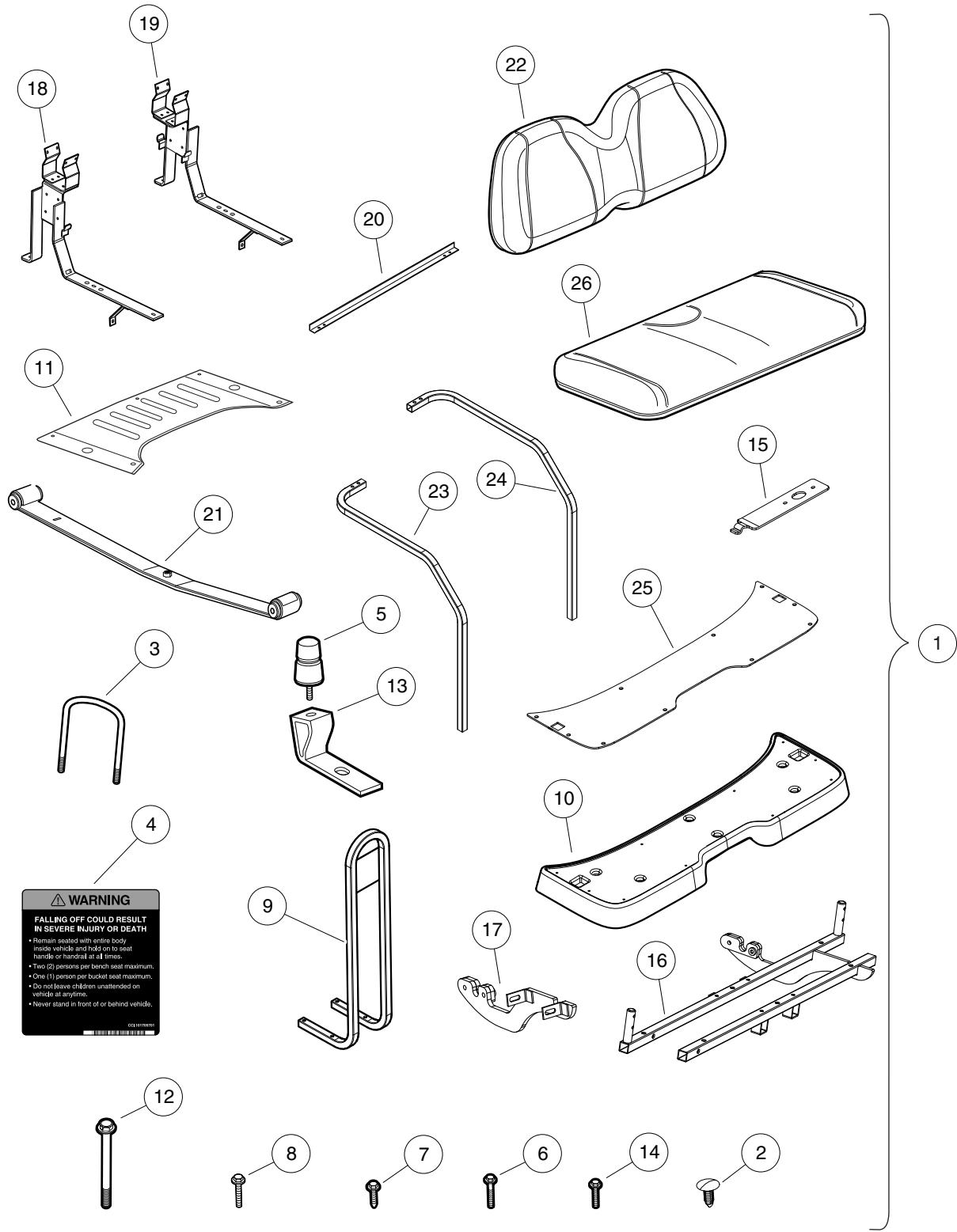
000505-008

# FOUR PASSENGER CONVERSION KIT, MONSOON – BEIGE

ITEM	PART NO.	DESCRIPTION	QTY
		<b>1 2 3 4</b>	
1	102570905	Kit-4pass, Monsoon XI, Beige (includes items 2 through 26) .....	1
2	1010434	Barrel - Plastic .....	11
3	1014902	U-Bolt .....	2
4	101705701	Decal, Warning .....	1
5	1017235	Bumper, Jounce .....	2
6	102296530	Screw - M6 X 1.0 X 30 Sems .....	4
7	102298720	Screw, M8-1.25x20, Taptite .....	12
8	102298745	M8-1.25x45 Taptite .....	8
9	102531001	Handrail Weldment, Rear Seat .....	1
10	102531402	Footdeck, 4-Passenger, Black .....	1
11	102531502	Cover- 4 Pass W/canopy .....	1
12	102534201	Bolt - Fl Hd, M8 X 95 .....	4
13	102534801	Jounce Bumper Bracket .....	2
14	102541425	Bolt, M6x1.0x25, Hex Flhd, Blk-l .....	6
15	102573101	Bracket, 4-pass Lower Seat .....	2
16	102584701	Weld, 4-pass Footdeck-a .....	1
17	102584801	Weld, 4-pass Footdeck-b .....	1
18	103624601	Weldment, Spt, 4pass, Drv .....	1
19	103624602	Weldment, Spt, 4pass, Pas .....	1
20	103653001	Angle, Strut, Tie .....	1
21	103742303	Asm, Rear Leaf Spring, 4-Passenger .....	2
22	103853121	Asm, Seat Back, Beige, Service Replacement .....	1
23	103866901	Restraint-lh 4pass Hip .....	1
24	103866902	Restraint-rh 4pass Hip .....	1
25	103922401	Floormat, 4-pass, Rear .....	1
26	105101221	Service, Beige, 4pass Rear Btm .....	1

**1**  
**G**  
**E**

**1**  
**G**  
**E**



000505-008

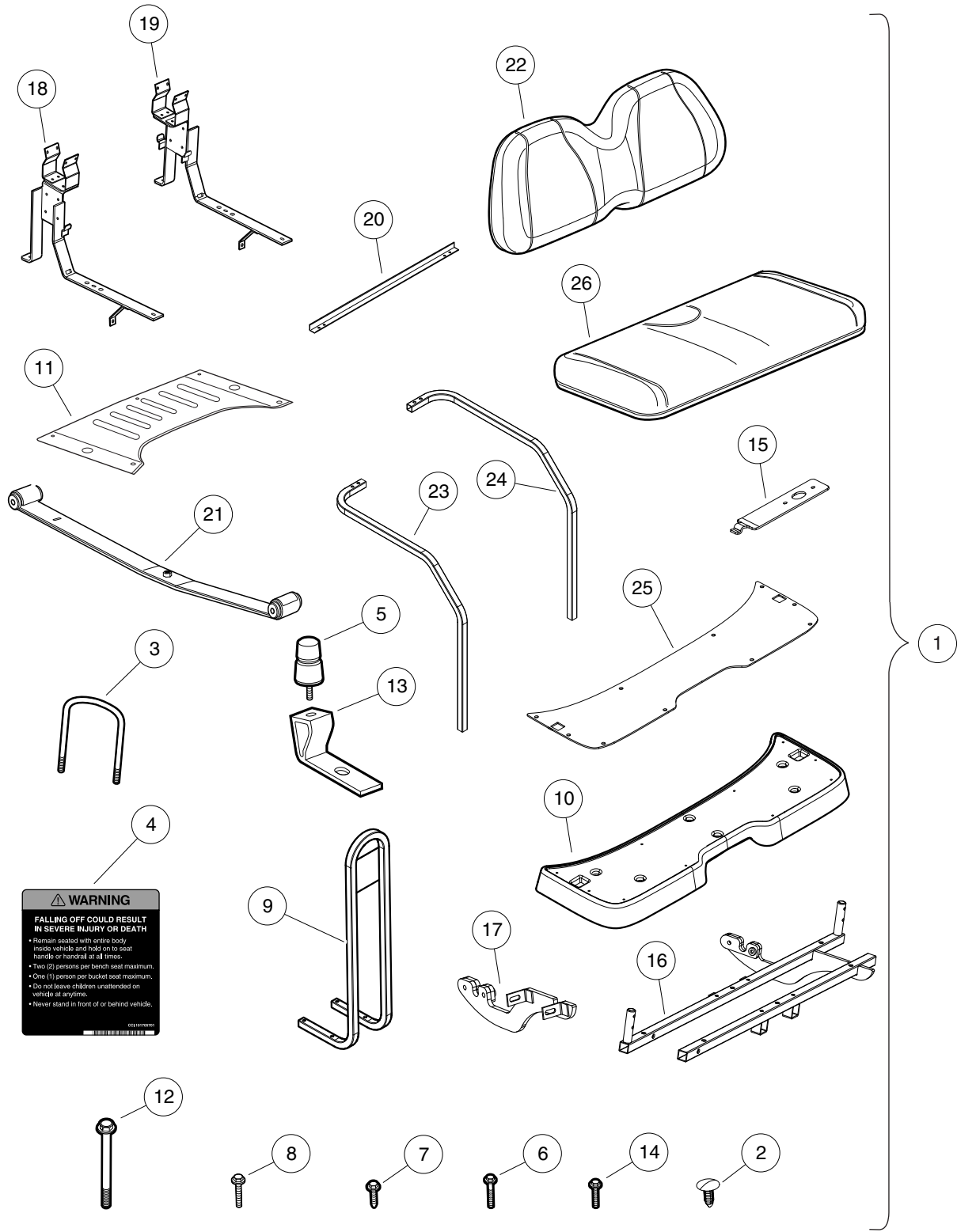


# FOUR PASSENGER CONVERSION KIT, MONSOON – WHITE

ITEM	PART NO.	DESCRIPTION	QTY
		<b>1 2 3 4</b>	
1	102570906	Kit-4pass, Monsoon XI, White (includes items 2 through 26) .....	1
2	1010434	Barrel - Plastic .....	11
3	1014902	U-Bolt .....	2
4	101705701	Decal, Warning .....	1
5	1017235	Bumper, Jounce .....	2
6	102296530	Screw - M6 X 1.0 X 30 Sems .....	4
7	102298720	Screw, M8-1.25x20, Taptite .....	12
8	102298745	M8-1.25x45 Taptite .....	8
9	102531001	Handrail Weldment, Rear Seat .....	1
10	102531402	Footdeck, 4-Passenger, Black .....	1
11	102531502	Cover- 4 Pass W/canopy .....	1
12	102534201	Bolt - Fl Hd, M8 X 95 .....	4
13	102534801	Jounce Bumper Bracket .....	2
14	102541425	Bolt, M6x1.0x25, Hex Flhd, Blk-l .....	6
15	102573101	Bracket, 4-pass Lower Seat .....	2
16	102584701	Weld, 4-pass Footdeck-a .....	1
17	102584801	Weld, 4-pass Footdeck-b .....	1
18	103624601	Weldment, Spt, 4pass, Drv .....	1
19	103624602	Weldment, Spt, 4pass, Pas .....	1
20	103653001	Angle, Strut, Tie .....	1
21	103742303	Asm, Rear Leaf Spring, 4-Passenger .....	2
22	103853122	Asm, Seat Back, White, Service Replacement .....	1
23	103866901	Restraint-lh 4pass Hip .....	1
24	103866902	Restraint-rh 4pass Hip .....	1
25	103922401	Floormat, 4-pass, Rear .....	1
26	105101222	Service, White, 4pass Rear Btm .....	1

**1**  
**G**  
**E**

**1**  
**G**  
**E**



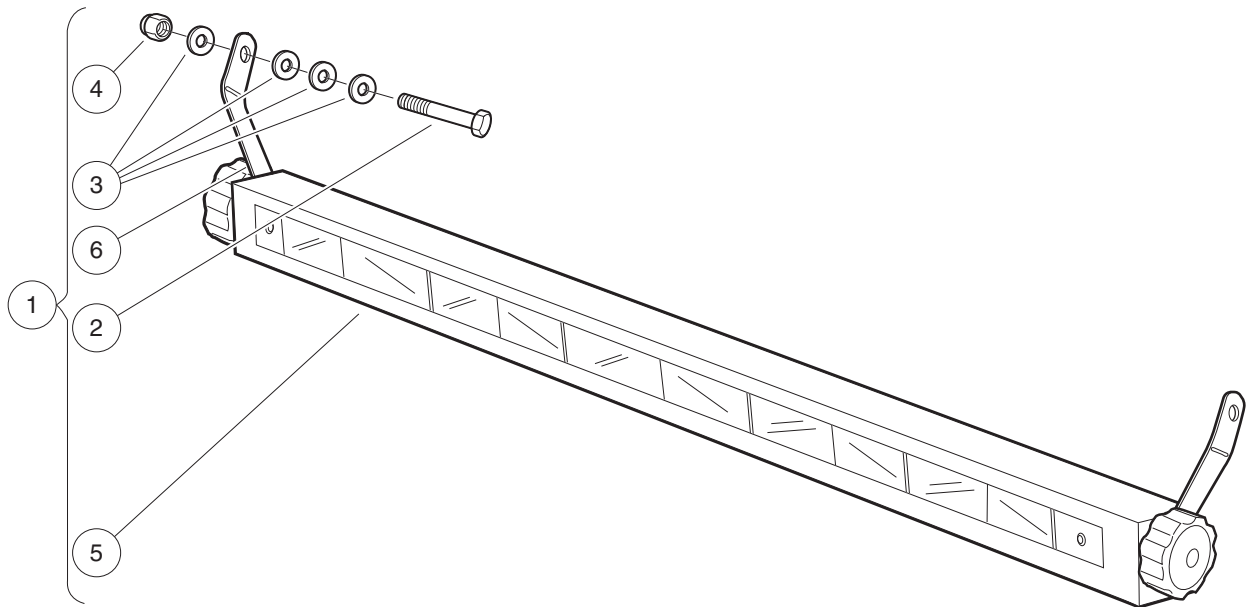
000505-008

# FOUR PASSENGER CONVERSION KIT, MONSOON – GRAY

ITEM	PART NO.	DESCRIPTION	QTY
		<b>1 2 3 4</b>	
1	102570907	Kit-4pass, Monsoon XI, Gray (includes items 2 through 26) .....	1
2	1010434	Barrel - Plastic .....	11
3	1014902	U-Bolt .....	2
4	101705701	Decal, Warning .....	1
5	1017235	Bumper, Jounce .....	2
6	102296530	Screw - M6 X 1.0 X 30 Sems .....	4
7	102298720	Screw, M8-1.25x20, Taptite .....	12
8	102298745	M8-1.25x45 Taptite .....	8
9	102531001	Handrail Weldment, Rear Seat .....	1
10	102531402	Footdeck, 4-Passenger, Black .....	1
11	102531502	Cover- 4 Pass W/canopy .....	1
12	102534201	Bolt - Fl Hd, M8 X 95 .....	4
13	102534801	Jounce Bumper Bracket .....	2
14	102541425	Bolt, M6x1.0x25, Hex Flhd, Blk-l .....	6
15	102573101	Bracket, 4-pass Lower Seat .....	2
16	102584701	Weld, 4-pass Footdeck-a .....	1
17	102584801	Weld, 4-pass Footdeck-b .....	1
18	103624601	Weldment, Spt, 4pass, Drv .....	1
19	103624602	Weldment, Spt, 4pass, Pas .....	1
20	103653001	Angle, Strut, Tie .....	1
21	103742303	Asm, Rear Leaf Spring, 4-Passenger .....	2
22	103853124	Asm, Seat Back, Gray, Service Replacement .....	1
23	103866901	Restraint-lh 4pass Hip .....	1
24	103866902	Restraint-rh 4pass Hip .....	1
25	103922401	Floormat, 4-pass, Rear .....	1
26	105101224	Service, Gray, 4pass Rear Btm .....	1

**1**  
**G**  
**E**

**1**  
**G**  
**E**



000720-004

# 5-PANEL MIRROR

ITEM	PART NO.	DESCRIPTION	QTY
		<b>1 2 3 4</b>	
1	105288901	Mirror Kit, Wink (includes items 2 through 6) .....	1
2	105313801	Brkt, Mirror, 5 Panel, Mtg .....	2
3	332	Washer, 1/4 Type A Narrow Flat .....	8
4	7311	Screw, 1/4-20 X 2.00 Hex-Head Cap .....	2
5	8233	Locknut, 1/4-20, Nylon Insert .....	2
6	AM10092	ICS 5-Panel Mirror .....	1

1  
G  
E

**1**

**G**

**E**

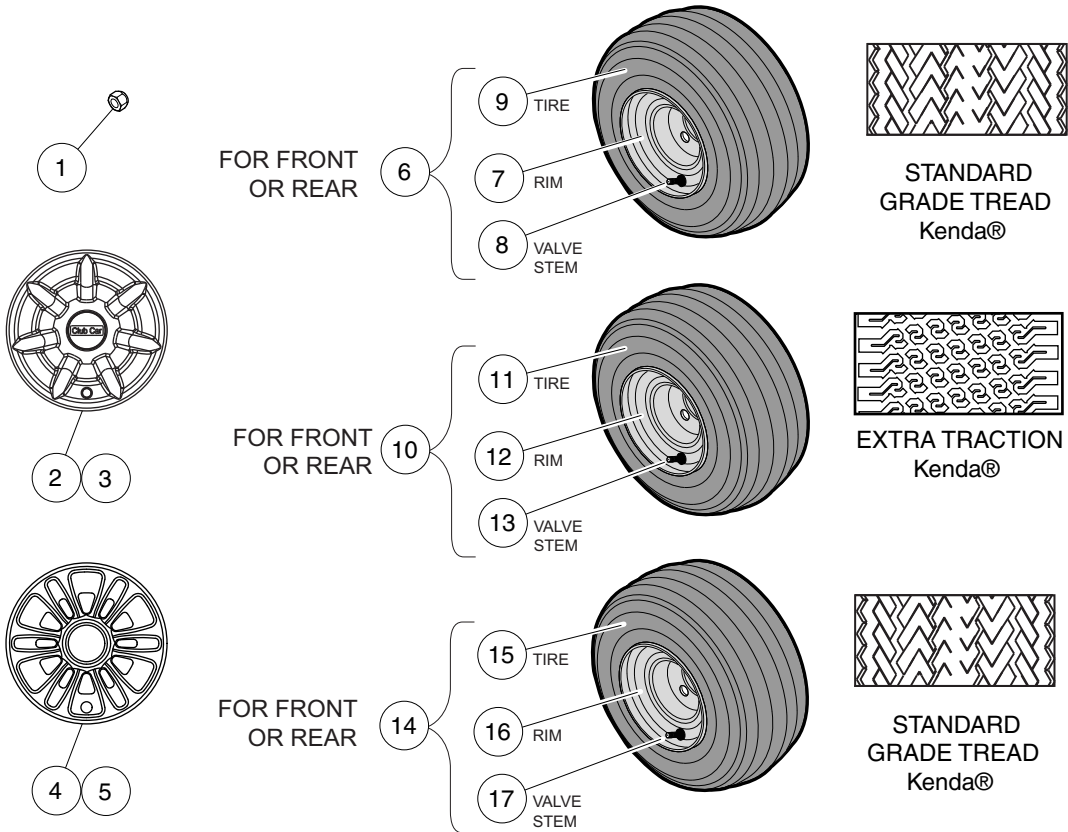
# WHEELS AND TIRES

---

2

G

E



000474-010

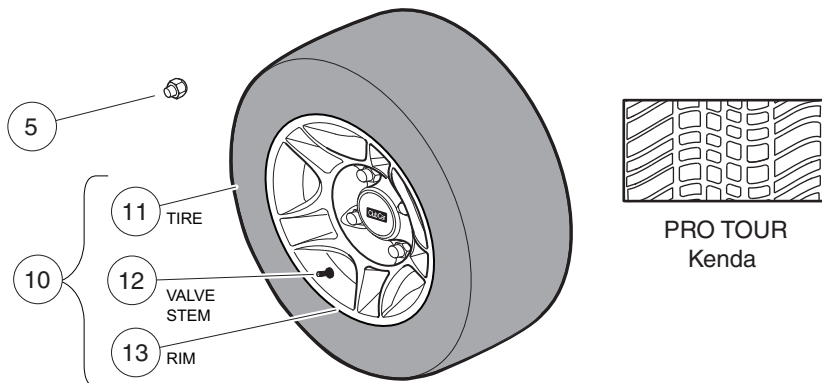
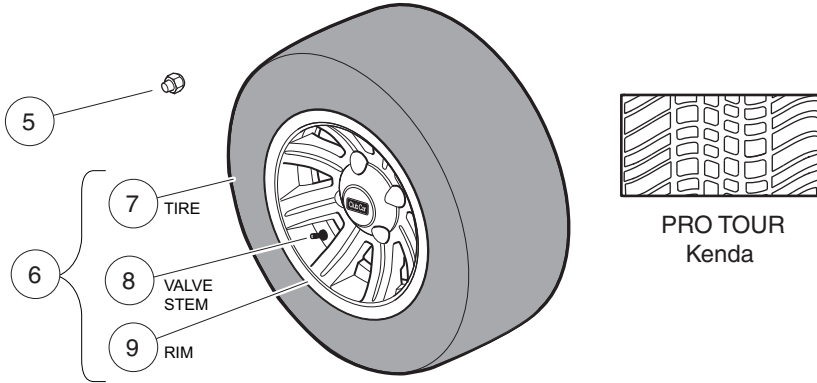
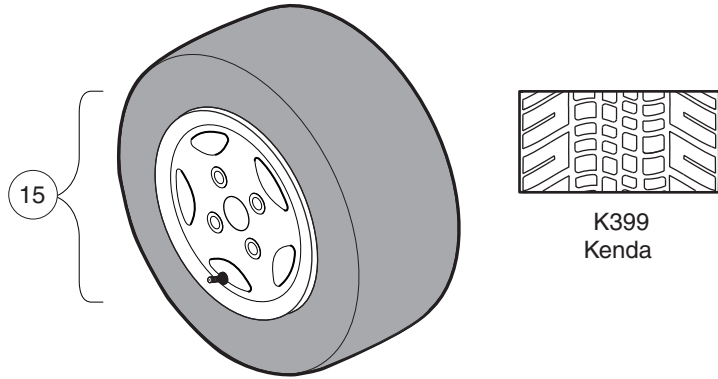
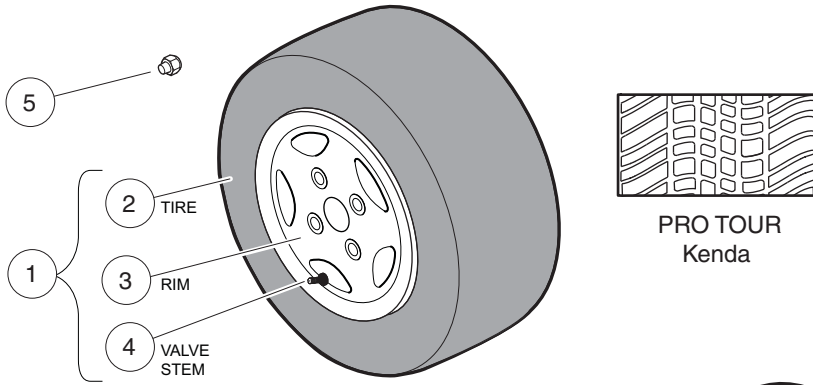


## WHEELS AND TIRES, KENDA

ITEM	PART NO.	DESCRIPTION	QTY
		<b>1 2 3 4</b>	
1	1010984	.500-20 Unf Lug Nut .....	16
2	102559901	Hub Cap Kit (includes item 3) .....	1
3	103694501	Hub Cap, 7 Prong .....	4
4	102559902	Kit, Wheel Cover, 12 Spk (includes item 5) .....	1
5	105142401	Wheel Cover, 12 Spk, 8", Slvr .....	4
6	103951001	Assembly, Silver Wheel Kenda, Hn1 4ply (includes items 7 through 9) .....	4
7	103459104	Wheel Rim, 8"x7", Silver, Std .....	1
8	7310	Valve Stem, Black Plastic .....	1
9	AM10682	Unmounted Prem Tire 18x8.50x8 .....	1
10	103951002	Assembly, Silver Wheel Kenda, X/t 6ply (includes items 11 through 13) .....	4
11	102569302	Tire, Kenda, 18x8.5-8, 6-ply Xtr .....	1
12	103459104	Wheel Rim, 8"x7", Silver, Std .....	1
13	7310	Valve Stem, Black Plastic .....	1
14	103951007	Assembly, Silver Wheel Kenda, Radial (includes items 15 through 17) .....	4
15	102569311	Tire, Kenda, 18x8.5 R8, 4-ply .....	1
16	103459104	Wheel Rim, 8"x7", Silver, Std .....	1
17	7310	Valve Stem, Black Plastic .....	1

**2**  
**G**  
**E**

**2**  
**G**  
**E**



000475-009

## WHEELS AND TIRES – CHAMPION AND PRO

ITEM	PART NO.	DESCRIPTION	QTY
		<b>1 2 3 4</b>	
1	102540601	Tire and Wheel, 10" Aluminum, Pro Tour Tire (includes items 2 through 4) .....	4
2	102556701	Tire, Pro Tour, 205-50 X 10 .....	1
3	102556801	Wheel, Aluminum, Champion .....	1
4	7310	Valve Stem, Black Plastic .....	1
5	102540701	Lug Nut, 1/2" Closed End .....	16
6	103935001	Tire and Wheel, 10", 8 Spoke, Alum. (includes items 7 through 9) .....	4
7	102556701	Tire, Pro Tour, 205-50 X 10 .....	1
8	103832401	Valve Stem With Cap, Chrome .....	1
9	103934901	Wheel, Aluminum 10x6, 8 Spoke .....	1
10	47605157001	Wheel Assy, 10", 5 Spoke (includes items 11 through 14) .....	4
11	102556701	Tire, Pro Tour, 205-50 X 10 .....	1
12	103832401	Valve Stem With Cap, Chrome .....	1
13	47597567001	Rim, Aluminum 10x6, 5 Spoke .....	1
14	47603573001	Cap, Center, Wheel, 5 Spoke .....	1
15	AM1263401	Tire and Wheel, 10" Alum., Kenda K399 205/50 Tire .....	4

2  
G  
E

**2**

**G**

**E**

# DECALS

---

3

G

E

**⚠ WARNING**

**FALLING OFF CAN RESULT IN SERIOUS INJURY OR DEATH**

- Two (2) persons per bench seat maximum.
- One (1) person per bucket seat maximum.
- Remain seated with entire body inside vehicle and hold on to seat handle or handrail at all times.
- Do not leave children unattended on vehicle at anytime.

101705701

1

**⚠ WARNING**

**ROTATING PARTS AND BURN RISK**

Rotating parts can cause serious injury. Keep body, hands, hair, and clothes away from rotating parts.

Hot surfaces can cause serious burns. Allow to cool before servicing.

101960501

2

**⚠ WARNING**

**EXPLOSION AND FIRE HAZARD**

Battery explosion can cause severe burns and blindness. Wear face and hand protection.

- Do not contact positive (+) battery post or cable to frame.
- Disconnect negative (-) cable first.
- Negative (-) frame ground.

102517901

3

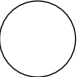
**⚠ WARNING**

**ROLLOVER OR FALLING OFF MAY CAUSE SERIOUS INJURY OR DEATH.**

- Before using vehicle, read operating instructions.
- Do not start vehicle until all occupants are seated.
- Keep entire body inside vehicle while moving.
- Drive slowly in turns and straight up and down slopes.
- Use brakes to reduce speed when coasting downhill.
- Never operate under the influence of alcohol or drugs.
- For use by authorized persons in designated areas only.
- Remain seated while moving.
- Operate from driver side only.
- Never operate on public roads.
- Hold on to seat handle while moving.
- Two (2) persons per seat maximum.
- Never stand in front of or behind vehicle.
- Do not leave children unattended on vehicle.

102517901


4

MAINTENANCE  OPERATE

**⚠ WARNING** **VEHICLE MOVEMENT MAY CAUSE SERIOUS INJURY**  
Engage the park brake and chock the wheels when the switch is set to MAINTENANCE

103205501

5

**NOTICE**  **RISK OF ELECTRONIC COMPONENT DAMAGE**

Do not expose electrical components to water. Water can cause damage to electrical components.

- Do not direct water stream in the area of this plate.
- See vehicle service manual before servicing.

103384601

6

**⚠ WARNING**

**SHORTING OF THE BATTERY TERMINALS CAN CAUSE SERIOUS INJURY OR DEATH**

When removing the component mounting plate, do not place directly on top of batteries

103384701

7

**⚠ WARNING**

**SET THE RUN/TOW SWITCH TO TOW BEFORE:**

- Towing this vehicle
- Extended storage
- Servicing the vehicle
- Disconnecting or connecting battery cables

**BATTERY EXPLOSION CAN CAUSE SERIOUS INJURY**

• Read the vehicle service manual before servicing.  
• Keep electronic components dry.  
• The battery compartment is not a storage area. Do not keep items in battery compartment.  
• Do not operate the vehicle without this plate correctly installed.

103384801

8

**OPERATING INSTRUCTIONS**

Before using vehicle, read owner's manual and vehicle safety warnings. Study and understand controls.

**TO OPERATE**

- Ensure wheels are turned in desired direction and path is clear.
- Turn key to ON position.
- Select FORWARD (F) or REVERSE (R) only when stopped.
- Release park brake fully.
- Vehicle will start moving when accelerator pedal is pressed.
- Slowly press accelerator pedal to increase speed.
- During operation, beeping alarm indicates reduction in motor braking.
- To stop, release accelerator pedal and press brake pedal.

**⚠ WARNING**

**UNINTENDED VEHICLE MOVEMENT MAY CAUSE SEVERE INJURY OR DEATH.** Before leaving vehicle:

- Engage park brake to lock wheels.
- Place vehicle in NEUTRAL.
- Turn key to OFF and remove key.

103783001

9

000441-012

# DECALS – PAGE 1 OF 3

ITEM	PART NO.	DESCRIPTION	QTY
		<b>1 2 3 4</b>	
1	101705701	Decal, Warning .....	A/R
2	101960501	Decal, Rotating Parts/Hot Manifold .....	A/R
3	102517901	Decal, Warning - Frame Ground .....	A/R
4	102519301	Decal, Warning, Rollover .....	A/R
5	103205501	Decal, Maintenance/Operate Switch .....	A/R
6	103384601	Decal-water Exposure .....	A/R
7	103384701	Decal-warning, Short .....	A/R
8	103384801	Decal, Warning, RUN/TOW .....	A/R
9	103783001	Decal, Op Instr, Ele .....	A/R

3  
G  
E

**OPERATING INSTRUCTIONS**

Before using vehicle, read owner's manual and vehicle safety warnings. Study and understand controls.

**TO OPERATE**

- Ensure wheels are turned in desired direction and path is clear.
- Turn key to ON position.
- Select FORWARD (F) or REVERSE (R) only when stopped.
- Release park brake fully.
- Vehicle will start moving when accelerator pedal is pressed.
- Slowly press accelerator pedal to increase speed.
- To stop, release accelerator pedal and press brake pedal.

**⚠ WARNING**



**UNINTENDED VEHICLE MOVEMENT MAY CAUSE SEVERE INJURY OR DEATH.** Before leaving vehicle:

- Engage park brake to lock wheels.
- Place vehicle in NEUTRAL.
- Turn key to OFF and remove key.

103783002 

1

**⚠ WARNING**





**GASOLINE EXPLOSION / FIRE CAN CAUSE SERIOUS INJURY OR DEATH**

- No sparks or open flame near fuel tank.
- No smoking near fuel or fuel tank.
- Stop engine and allow to cool before refueling.
- Do not disconnect pressurized fuel lines.

**EXCESSIVE SPEED CAN CAUSE SERIOUS INJURY OR DEATH**

- Do not tamper with engine governor adjustment.

105067501 

2




**⚠ WARNING**

**ROTATING PARTS AND BURN RISK**

Rotating parts can cause serious injury.  
Hot surfaces can cause serious burns.

105070501 

3



## DECALS – PAGE 2 OF 3

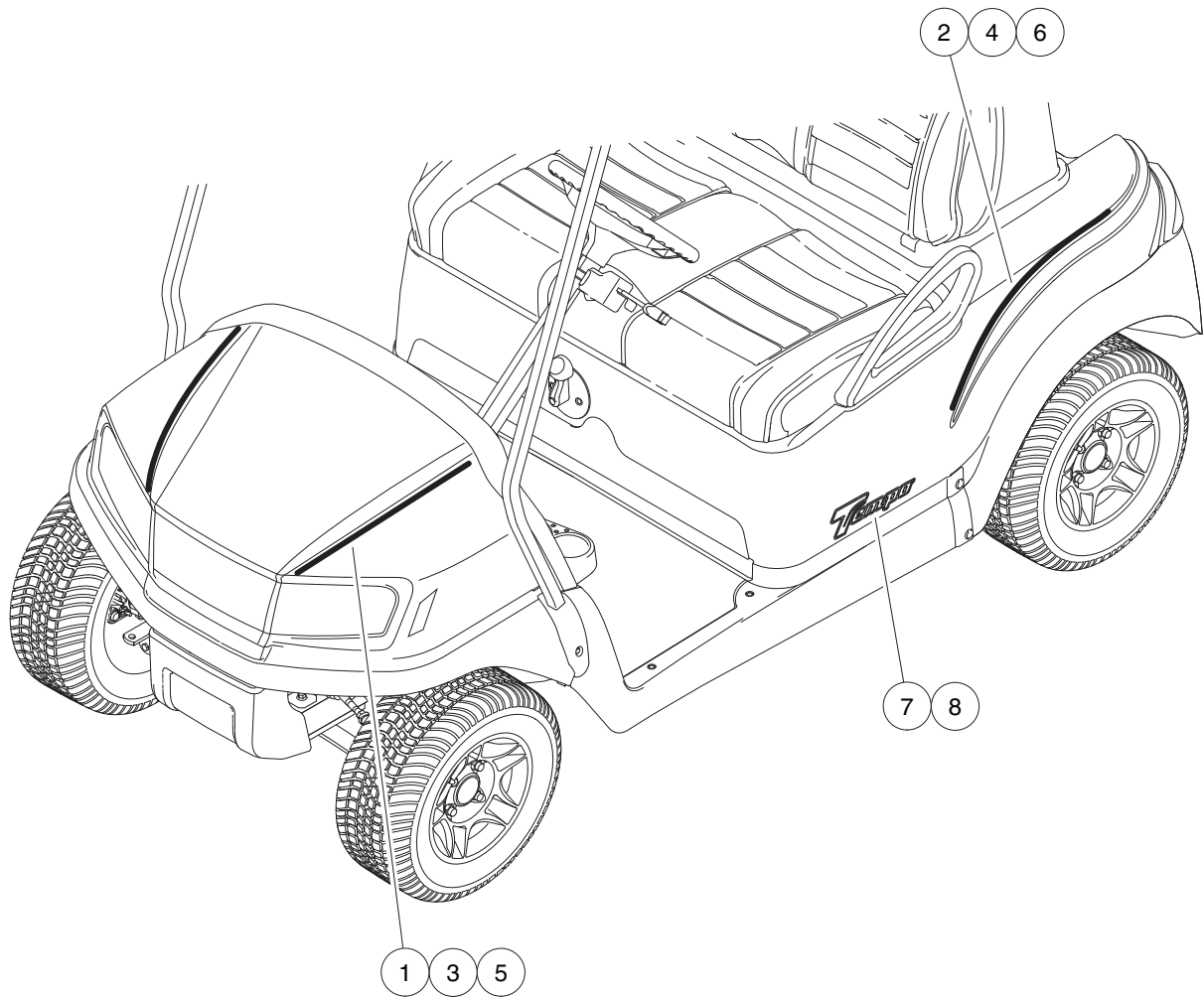
ITEM	PART NO.	DESCRIPTION	QTY
		1 2 3 4	
1	103783002	Decal, Op Instr, Gas Ps .....	A/R
2	105067501	Decal, Warn - Gas/gov .....	A/R
3	105070501	Decal, Gas, Rotating Parts/Hot Muffler .....	A/R

3

G

E

**3**  
**G**  
**E**



000441-015

# DECALS – PAGE 3 OF 3

ITEM	PART NO.	DESCRIPTION	QTY
		1 2 3 4	
1	47614573001	Stripe, Accent, Gold, Front .....	A/R
2	47614573002	Stripe, Accent, Gold, Rear .....	A/R
3	47614573003	Stripe, Accent, Black, Front .....	A/R
4	47614573004	Stripe, Accent, Black, Rear .....	A/R
5	47614573005	Stripe, Accent, Silver, Front .....	A/R
6	47614573006	Stripe, Accent, Silver, Rear .....	A/R
7	47623580001	Decal, Tempo, Gold .....	A/R
8	47623580002	Decal, Tempo, Silver .....	A/R

3  
G  
E

**3**

**G**

**E**

# LIGHTS, CONTROLS AND INDICATORS

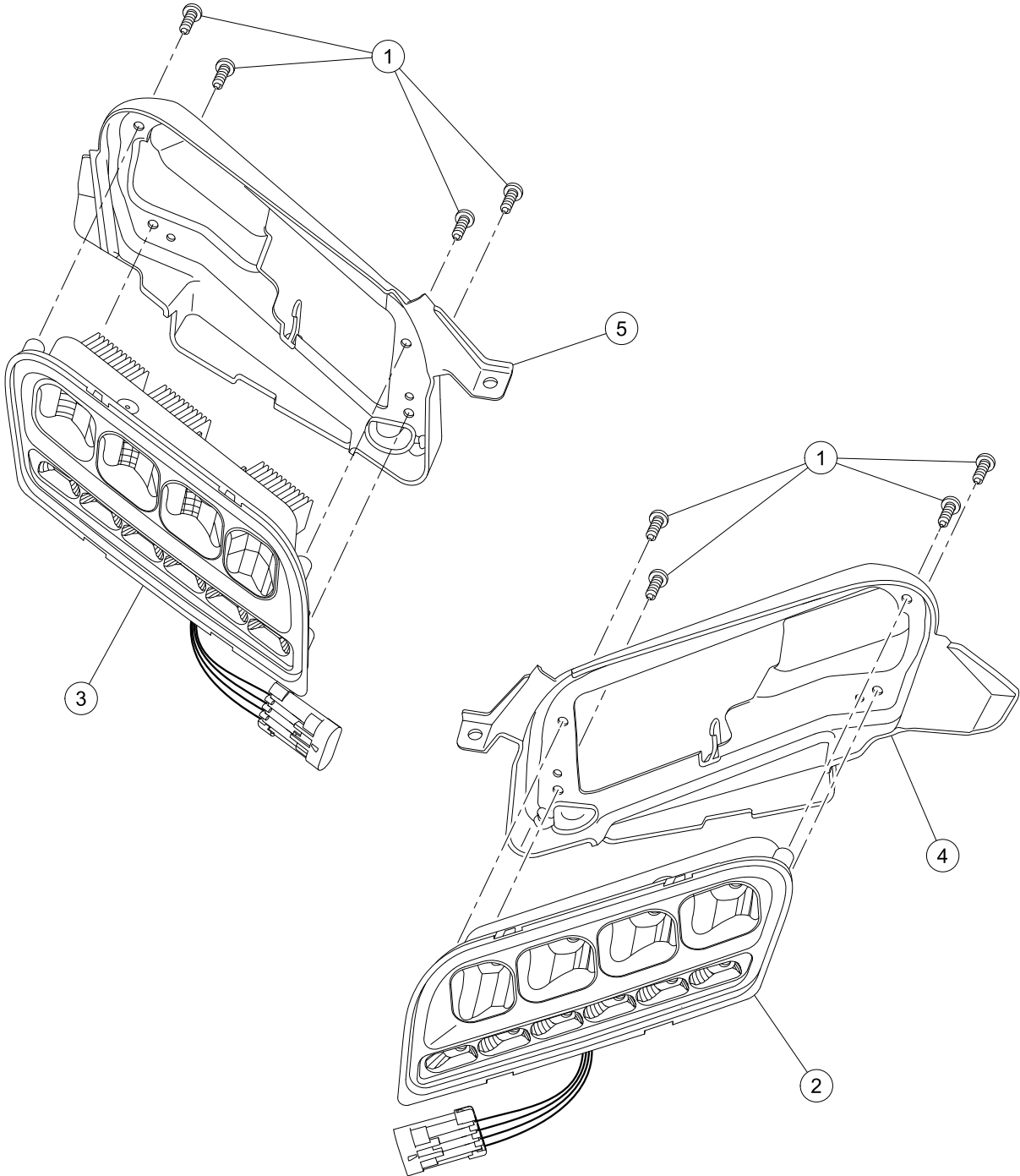
---

4

G

E

**4**  
**G**  
**E**

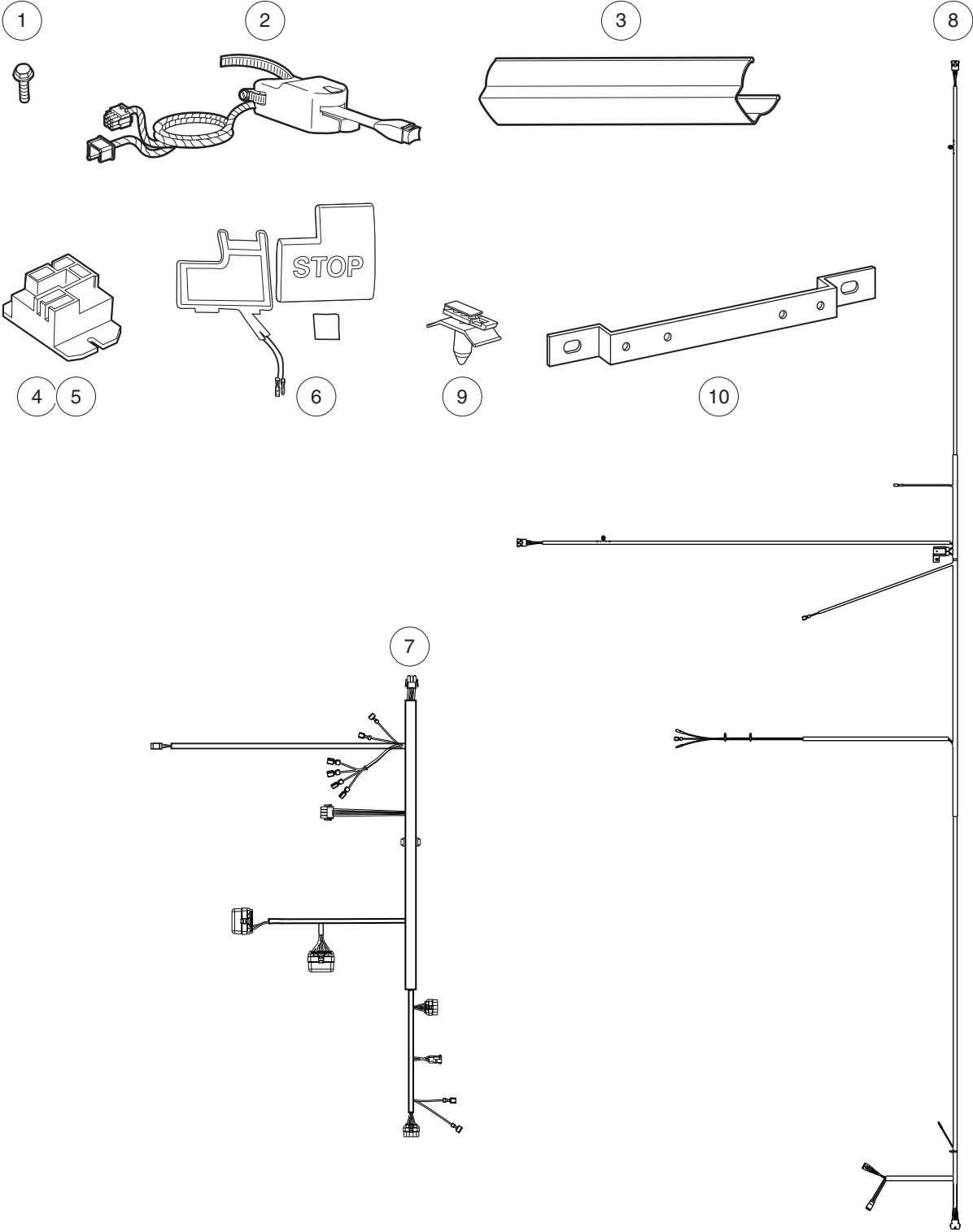


# HEADLIGHTS

ITEM	PART NO.	DESCRIPTION	QTY
		<b>1 2 3 4</b>	
1	102296020	Screw-torx Pan Head Pt, M6x20 .....	8
2	47565234003	Headlight, LED, Driver-side, Service Replacement .....	1
3	47565234004	Headlight, LED, Passenger-side, Service Replacement .....	1
4	47593002001	Housing, Headlight, Driver .....	1
5	47593002002	Housing, Headlight, Passenger .....	1

**4**  
**G**  
**E**

**4**  
**G**  
**E**



001387-002



# LIGHTING SYSTEM COMPONENTS

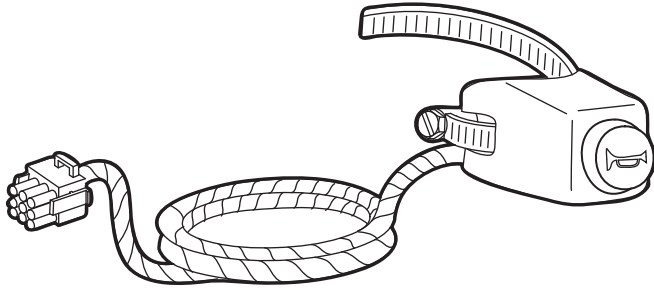
ITEM	PART NO.	DESCRIPTION	QTY
		<b>1 2 3 4</b>	
1	102298720	Screw, M8-1.25x20, Taptite .....	3
2	102517501	Turn Signal Asm .....	1
3	102529201	Wire Cover, Steering Column .....	1
4	103414901	Kit, Relay, 48v 30a W/instr (includes item 5) .....	1
5	103397901	Relay, Spst No, 48v 30a, Pmt .....	1
6	103597101	Kit, Brake Light Switch .....	1
7	47562746001	Harness, Wire, Instrument Panel for Lights, Ele .....	1
8	47574837001	Harness, Lighting .....	1
9	N/A	Clip, Mount, Conn .....	2
10	47580172001	Bracket, Mount, Fuse .....	1

**4**  
**G**  
**E**

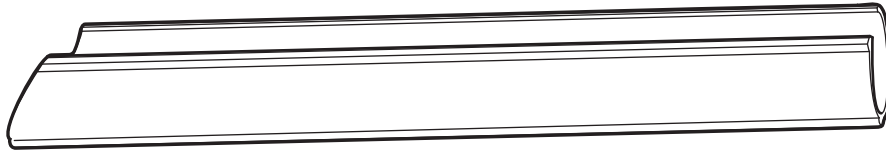
4

G

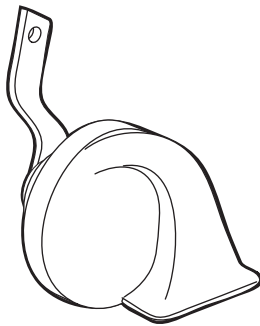
E



1



2



3

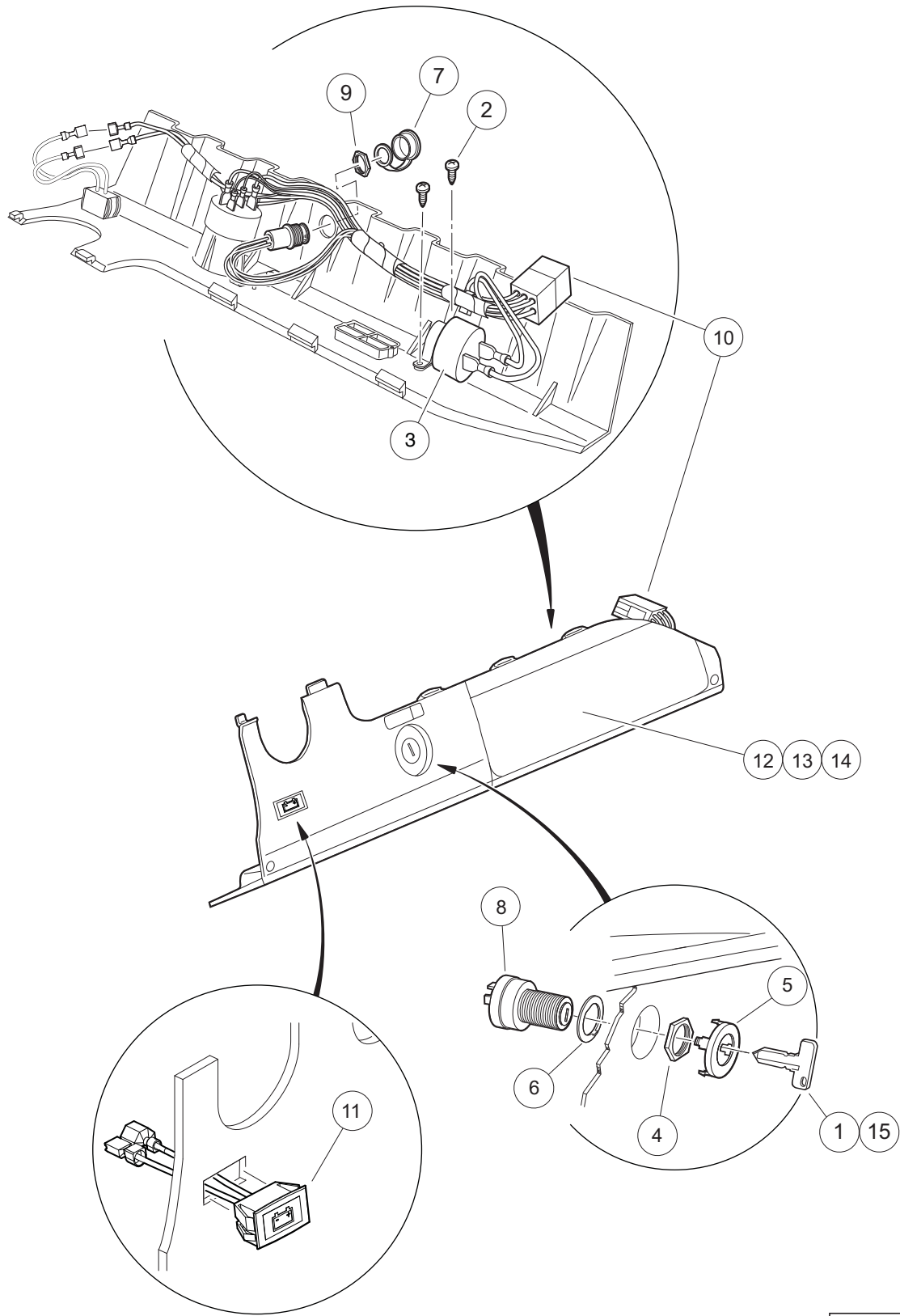
001343-001

# HORN

ITEM	PART NO.	DESCRIPTION	QTY
1	102517601	1 2 3 4 Subasm, Horn Button Harness .....	1
2	102529201	Wire Cover, Steering Column .....	1
3	102535401	Horn .....	1

**4**  
**G**  
**E**

**4**  
**G**  
**E**



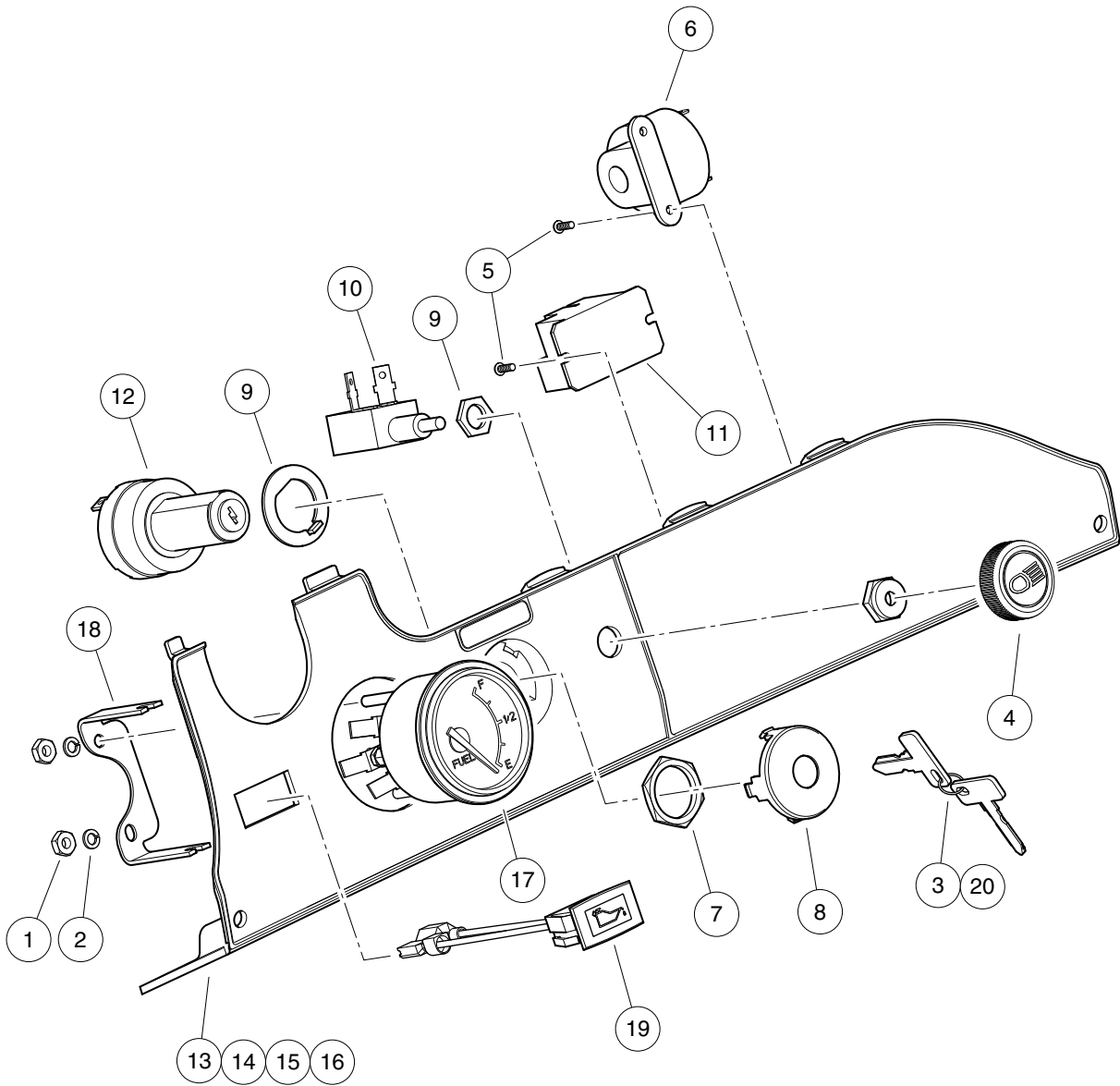
000490-005

# INSTRUMENT PANEL – ELECTRIC VEHICLE WITH ERIC CHARGER

ITEM	PART NO.	DESCRIPTION	QTY
		<b>1 2 3 4</b>	
1	1012505	Keys (set of 2) .....	1
2	1016849	Screw, #4-24 X 0.33, Pan-Head, Machine .....	2
3	1016851	Buzzer, Reverse (9-48 VDC) .....	1
4	101830701	Nut, Key Switch .....	1
5	101834502	Cap, Black Key Switch .....	1
6	101851101	Washer, Key Switch .....	1
7	102196901	Dust Cap .....	1
8	102508601	Key Switch, Electric .....	1
9	102572401	Nut, Diagnostic Port .....	1
10	103991501	Harness, Wire, Instrument Panel, w/Hi-Freq .....	1
11	105152301	Indicator, Charger, Dash, Cap .....	1
12	47613414003	Instrument Panel (Punched Headlight) .....	1
13	47613414004	Instrument Panel (Battery Condition Indicator) .....	1
14	47613414009	Instrument Panel (Headlight Switch and Battery Condition Indicator) .....	1
15	AM10079	Bulk Std Keys (50) * .....	1
		 * Note: Must order in multiples of 50.	

**4**  
**G**  
**E**

**4**  
**G**  
**E**



000986-001

## INSTRUMENT PANEL – SUBARU EX40 GAS VEHICLE

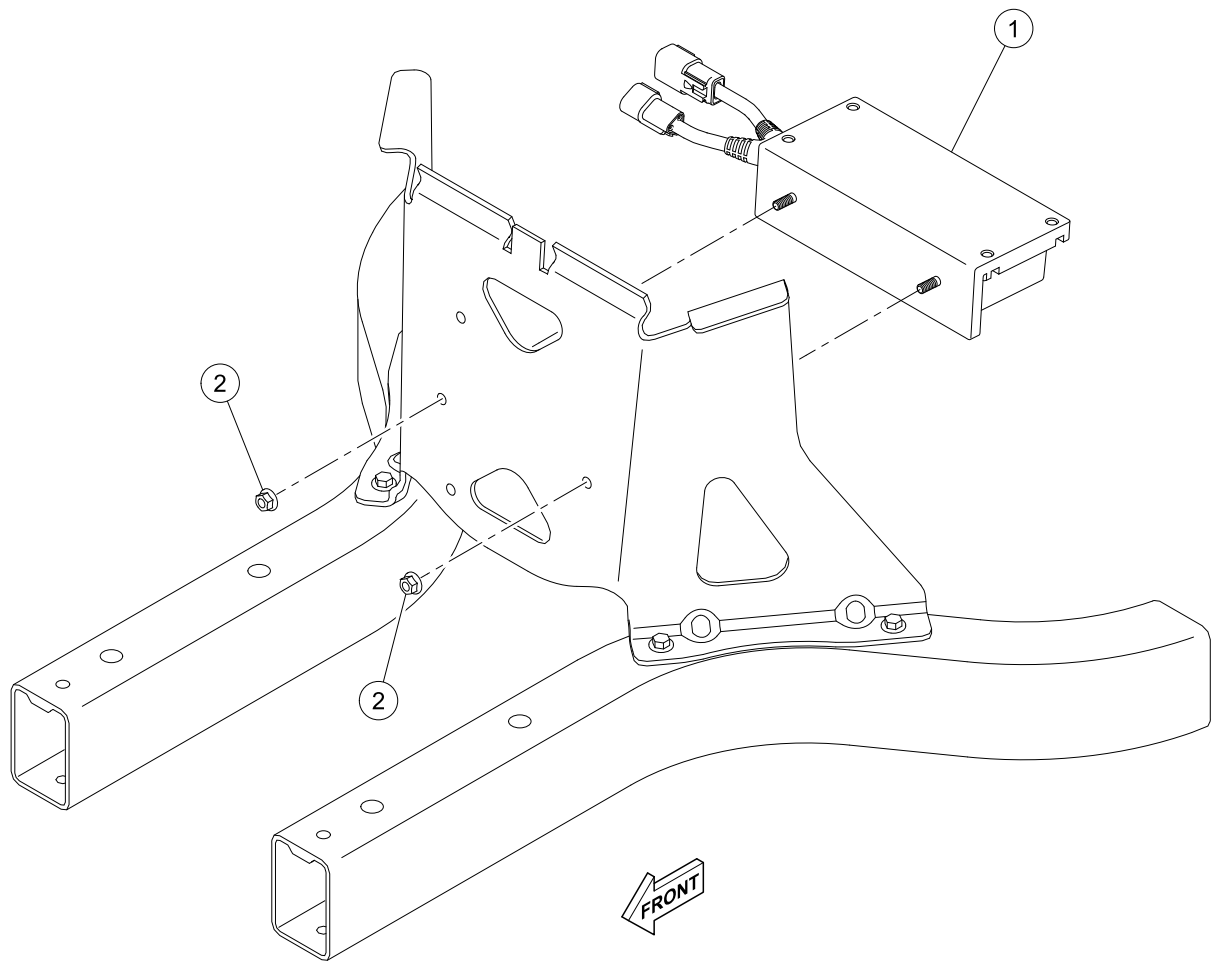
ITEM	PART NO.	DESCRIPTION	QTY
		1 2 3 4	
1	1011571	Nut, #8-32 Hex .....	2
2	1011610	Lockwasher, #8 Split SS .....	2
3	1012505	Keys (set of 2) .....	1
4	1013857	Knob, Light Switch .....	1
5	1016849	Screw, #4-24 X 0.33, Pan-Head, Machine .....	4
6	1016851	Buzzer, Reverse (9-48 VDC) .....	1
7	101830701	Nut, Key Switch .....	1
8	101834502	Cap, Black Key Switch .....	1
9	101851101	Washer, Key Switch .....	1
10	102051901	Switch, Light .....	1
11	102199001	Relay, 12-Volt .....	1
12	102515101	Key Switch, Gas .....	1
13	102522901	Instrument Panel (standard) .....	1
14	102536601	Instrument Panel (with Hole for Headlight Switch) .....	1
15	102536602	Instrument Panel (with Hole for Fuel Gauge) .....	1
16	102536604	Instrument Panel (with Hole for Headlight Switch and Fuel Gauge) .....	1
17	103924301	Fuel Gauge, Prime .....	1
18	103924401	Bracket, Fuel Gauge, Prime .....	1
19	105037101	Light, Oil (LED) .....	1
20	AM10079	Bulk Std Keys (50) * .....	1
		* Note: Must order in multiples of 50.	

4  
G  
E

4

G

E





# DC CONVERTER – ELECTRIC VEHICLE

ITEM	PART NO.	DESCRIPTION	QTY
1	47594727001	1 2 3 4 Converter, Dc/dc .....	1
2	96704176	Nut, Flanged, M6 X 1, Serrated .....	2

4

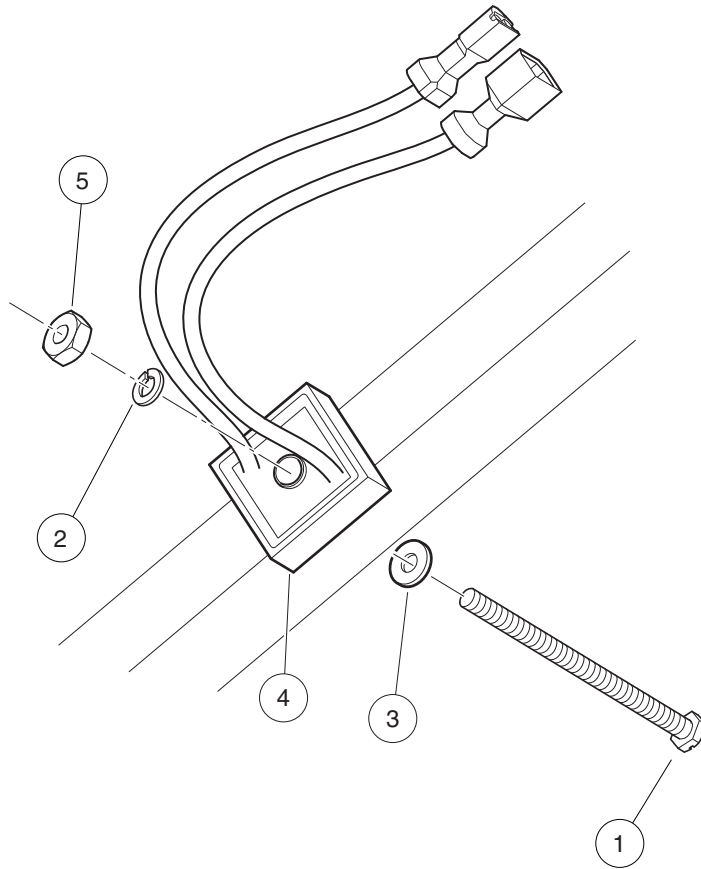
G

E

4

G

E



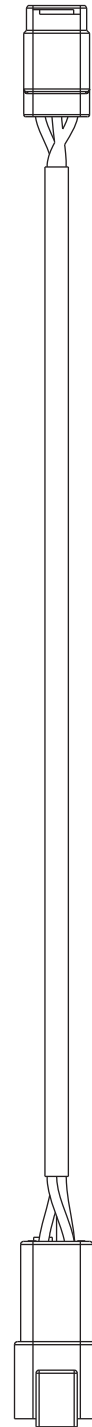
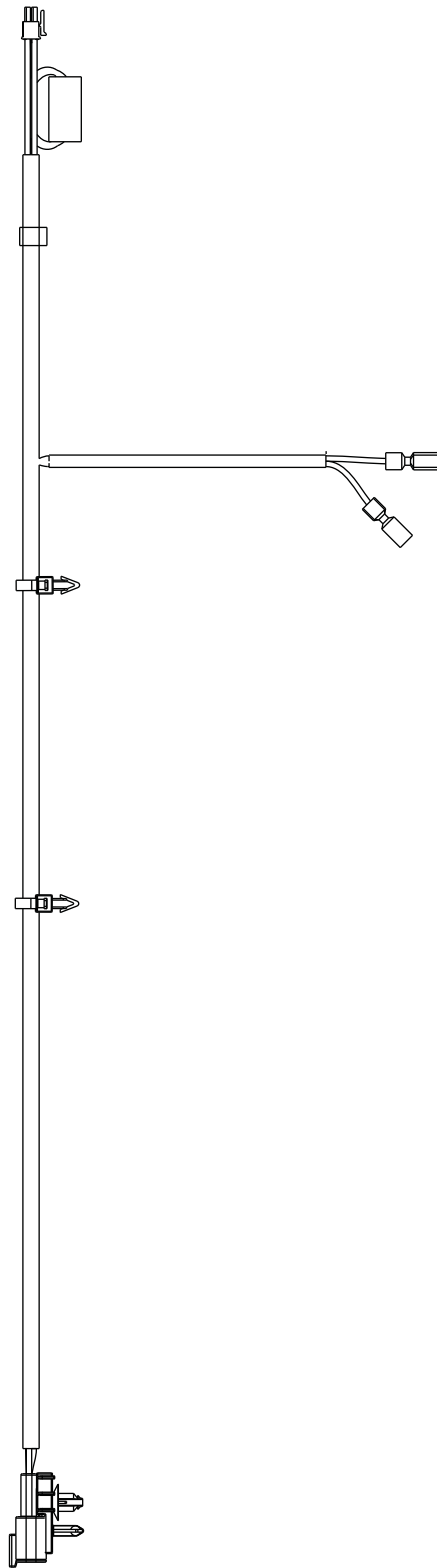
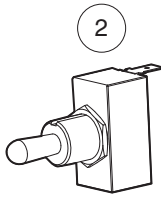
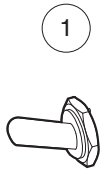
001365-002

## VOLTAGE LIMITER – GASOLINE VEHICLE

ITEM	PART NO.	DESCRIPTION	QTY
		1 2 3 4	
1	1010909	Screw, #10-32 X 1.25 Rd Hd Mch .....	1
2	1016	Lockwasher, #10 Split .....	1
3	183	Washer, #10, Type A, Flat .....	1
4	47604303001	Voltage Limiter, Gas .....	1
5	7893	Nut, #10-32 Hex .....	1

4  
G  
E

**4**  
**G**  
**E**



001439-001

## WIRING AND SWITCH – VISAGE

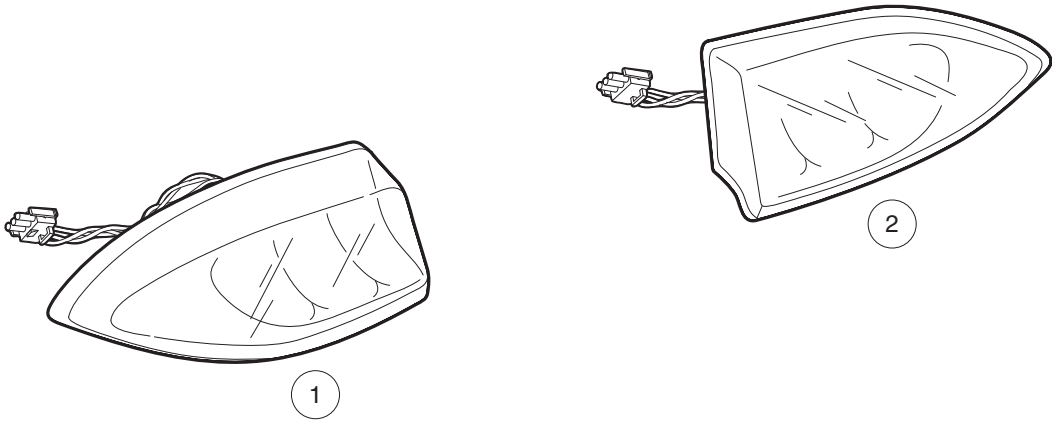
ITEM	PART NO.	DESCRIPTION	QTY
		<b>1 2 3 4</b>	
1	101908401	Boot, Switch .....	1
2	102511101	Switch, Tow .....	1
3	47554735001	Harness, Visage, Console, Gas .....	1
4	47554736001	Harness, Visage, Strut, G/e .....	1
5	47555612001	Harness, Visage, Console, Elec .....	1
6	47557751001	Harness, Interface, Visage .....	1

4  
G  
E

4

G

E



001340-001

# TAILLIGHTS

ITEM	PART NO.	DESCRIPTION	QTY
1	102528901	1 2 3 4 Taillight, Driver-side .....	1
2	102529001	Taillight, Passenger-side .....	1

**4**  
**G**  
**E**

**4**

**G**

**E**



# **BRAKES AND PEDAL GROUP ASSEMBLIES**

---

**5**

**G**

**E**

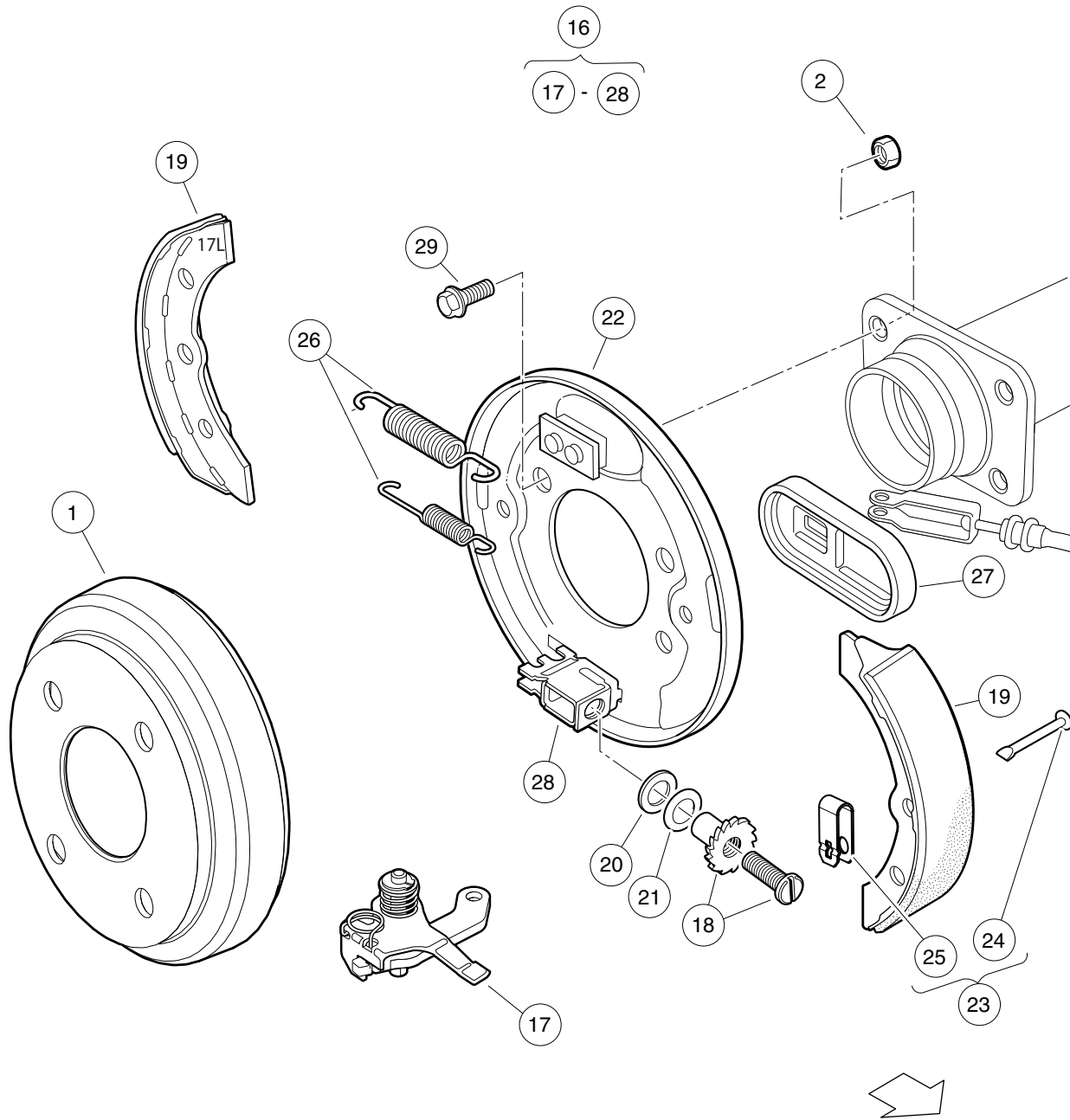


## REAR BRAKES, SELF-ADJUSTING – ELECTRIC VEHICLES

ITEM	PART NO.	DESCRIPTION	QTY
		1 2 3 4	
1	1013924	Nut, 5/16-24, Hex Head Cone .....	8
2	101791101	Drum without Center Hole, Brake .....	2
3	103380201	Asm, Brake Cluster, Mech, Drvr (includes items 4 through 15) .....	1
4	101815502	Lever Assembly, Self-Adjusting Brake, Left .....	1
5	101816502	Adjusting Mechanism, Self-Adjusting Brake, Left .....	1
6	101823201	Package, Brake Shoe, Self-Adjusting .....	1
7	101823801	Plate, Washer, Brake, Self-Adjusting .....	1
8	101823901	Washer, Brake, Self-Adjusting .....	1
9	103483102	Backing Plate, Driver-side .....	1
10	103483201	Kit, Shoe Retainer (includes items 11 and 12) .....	1
11	N/A	Pin .....	2
12	N/A	Spring, Shoe, Clamp .....	2
13	103483401	Package Brake Spring Self Adj .....	1
14	103483601	Cover, Dust .....	1
15	103483701	Brake Block .....	1
16	103380202	Asm, Brake Cluster, Mech, Pass (includes items 17 through 28) .....	1
17	101815501	Lever Assembly, Self-Adjusting Brake, Right (Passenger) .....	1
18	101816501	Adj Mechanism, S.A. Brakes, Right (Passenger) .....	1
19	101823201	Package, Brake Shoe, Self-Adjusting .....	1
20	101823801	Plate, Washer, Brake, Self-Adjusting .....	1
21	101823901	Washer, Brake, Self-Adjusting .....	1
22	103483101	Backing Plate, Passenger-side .....	1
23	103483201	Kit, Shoe Retainer (includes items 24 and 25) .....	1
24	N/A	Pin .....	2
25	N/A	Spring, Shoe, Clamp .....	2
26	103483401	Package Brake Spring Self Adj .....	1
27	103483601	Cover, Dust .....	1
28	103483701	Brake Block .....	1
29	47542195001	Bolt, Brake Cluster Mnt .....	8
		Note: Driver-side brake cluster not shown. Components have a similar appearance to passenger-side brake cluster components.	

5  
G  
E

**5**  
**G**  
**E**

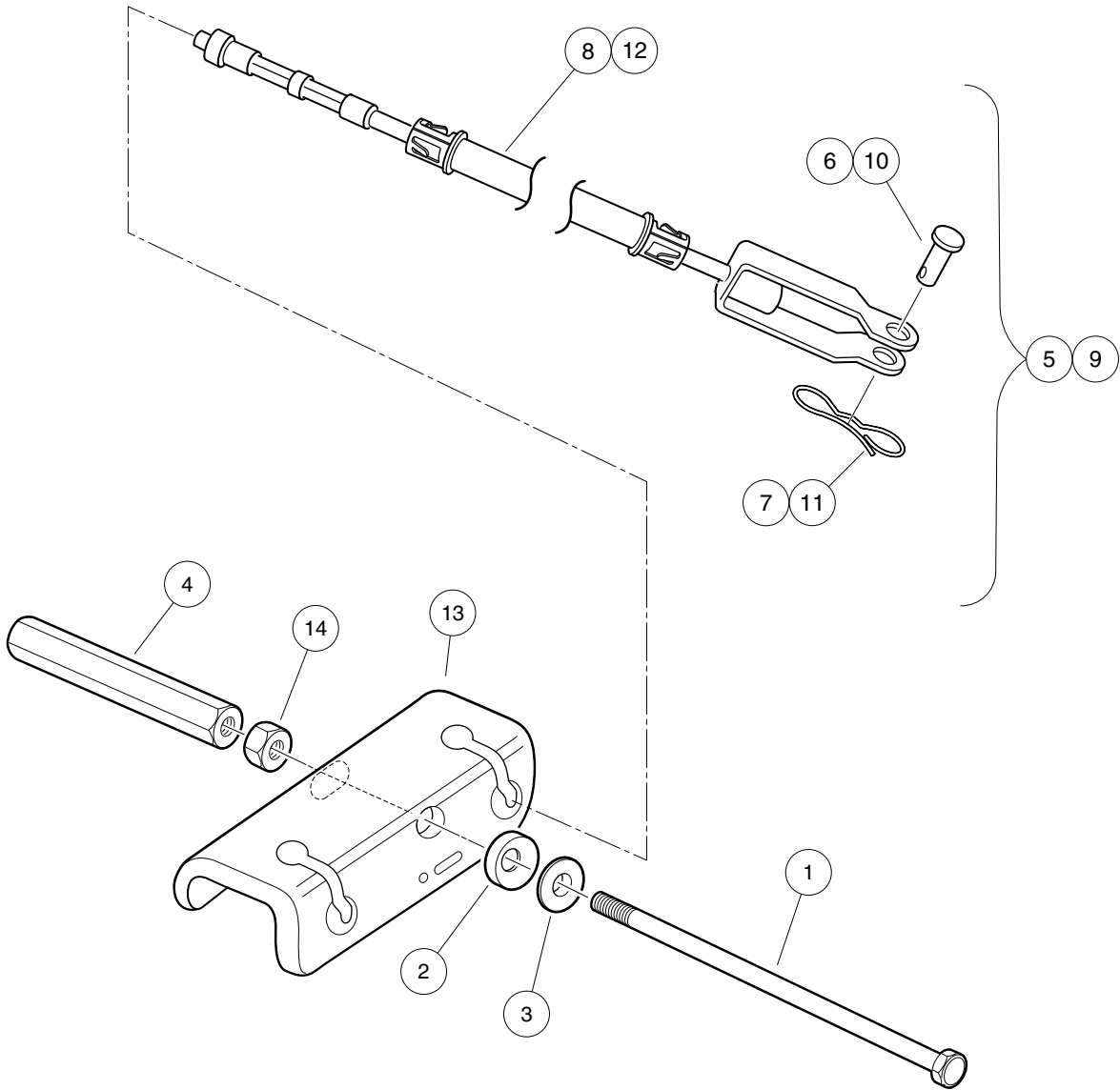


000186-007

## REAR BRAKES, SELF-ADJUSTING – GASOLINE VEHICLES

ITEM	PART NO.	DESCRIPTION	QTY	
		1 2 3 4		<b>5</b>
1	1011137	Drum, Brake .....	2	<b>G</b>
2	1013924	Nut, 5/16-24, Hex Head Cone .....	8	<b>E</b>
3	103380201	Asm, Brake Cluster, Mech, Drvr (includes items 4 through 15) .....	1	
4	101815502	Lever Assembly, Self-Adjusting Brake, Left .....	1	
5	101816502	Adjusting Mechanism, Self-Adjusting Brake, Left .....	1	
6	101823201	Package, Brake Shoe, Self-Adjusting .....	1	
7	101823801	Plate, Washer, Brake, Self-Adjusting .....	1	
8	101823901	Washer, Brake, Self-Adjusting .....	1	
9	103483102	Backing Plate, Driver-side .....	1	
10	103483201	Kit, Shoe Retainer (includes items 11 and 12) .....	1	
11	N/A	Pin .....	2	
12	N/A	Spring, Shoe, Clamp .....	2	
13	103483401	Package Brake Spring Self Adj .....	1	
14	103483601	Cover, Dust .....	1	
15	103483701	Brake Block .....	1	
16	103380202	Asm, Brake Cluster, Mech, Pass (includes items 17 through 28) .....	1	
17	101815501	Lever Assembly, Self-Adjusting Brake, Right (Passenger) .....	1	
18	101816501	Adj Mechanism, S.A. Brakes, Right (Passenger) .....	1	
19	101823201	Package, Brake Shoe, Self-Adjusting .....	1	
20	101823801	Plate, Washer, Brake, Self-Adjusting .....	1	
21	101823901	Washer, Brake, Self-Adjusting .....	1	
22	103483101	Backing Plate, Passenger-side .....	1	
23	103483201	Kit, Shoe Retainer (includes items 24 and 25) .....	1	
24	N/A	Pin .....	2	
25	N/A	Spring, Shoe, Clamp .....	2	
26	103483401	Package Brake Spring Self Adj .....	1	
27	103483601	Cover, Dust .....	1	
28	103483701	Brake Block .....	1	
29	47542195001	Bolt, Brake Cluster Mnt .....	8	
		Note: Driver-side brake cluster not shown. Components have a similar appearance to passenger-side brake cluster components.		

**5**  
**G**  
**E**



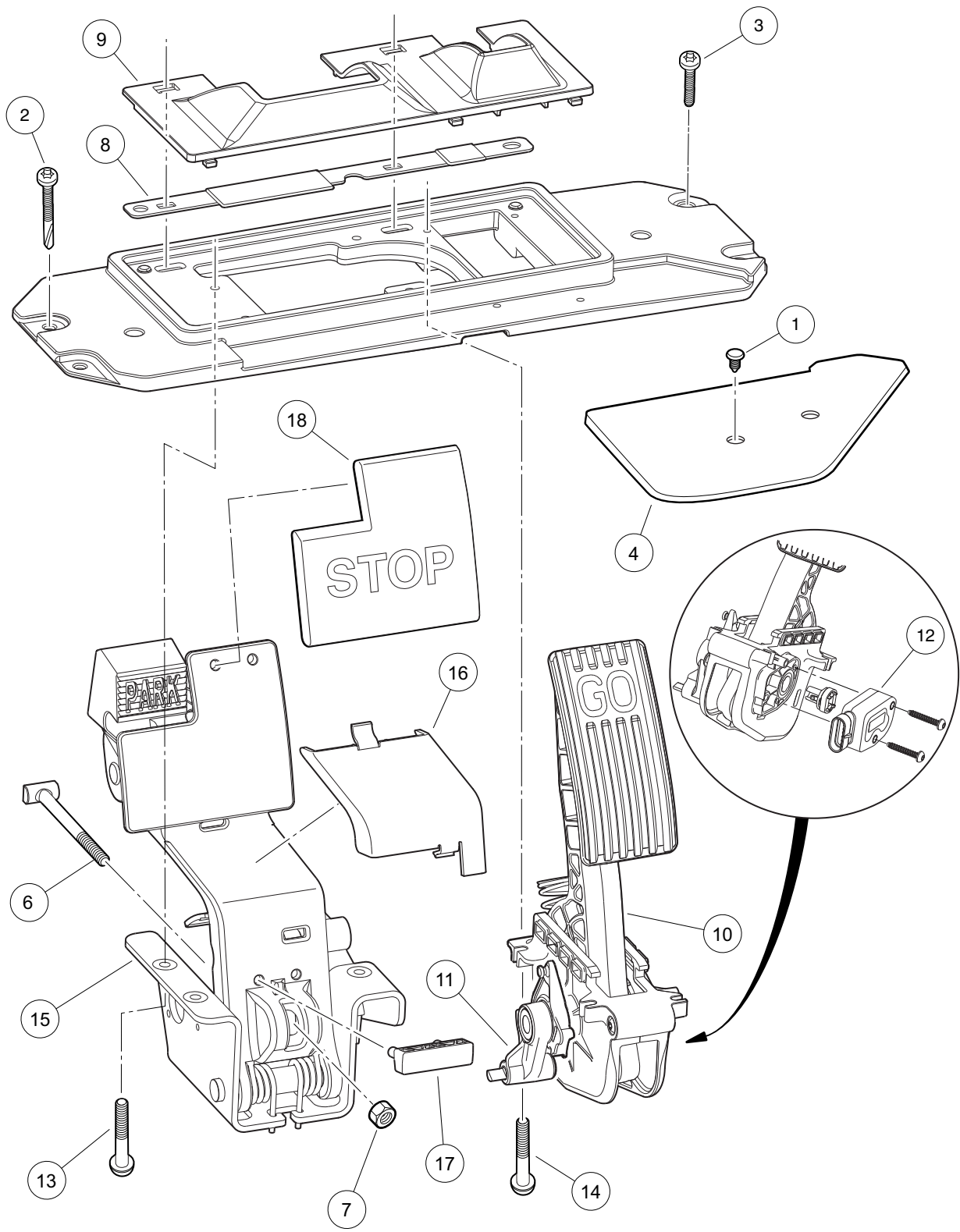
000467-006

# BRAKE CABLES AND EQUALIZER BRACKET

ITEM	PART NO.	DESCRIPTION	QTY
		1 2 3 4	
1	102297901	Bolt, 5/16-18 X 7.375, Hex .....	1
2	102551901	Washer, 5/16, Self Comp, Cup .....	1
3	102552001	Washer, 5/16, Self Comp, Cone .....	1
4	102594301	Nut, 5/16-18, Hex Adjusting -l .....	1
5	103528701	Kit, Brake Cable, Passenger-side (includes items 6 through 8) .....	1
6	1010829	Pin, Clevis, 5/16 X 3/4 .....	1
7	102292801	Pin, Bow Tie Locking - .072 .....	1
8	N/A	Cable, Brake, Right .....	1
9	103528702	Kit, Brake Cable, Driver-side (includes items 10 through 12) .....	1
10	1010829	Pin, Clevis, 5/16 X 3/4 .....	1
11	102292801	Pin, Bow Tie Locking - .072 .....	1
12	N/A	Cable, Brake, Left .....	1
13	103535001	Bracket, Equalizer .....	1
14	1242	Nut, 5/16-18 Hex .....	1

**5**  
**G**  
**E**

**5**  
**G**  
**E**



000487-015

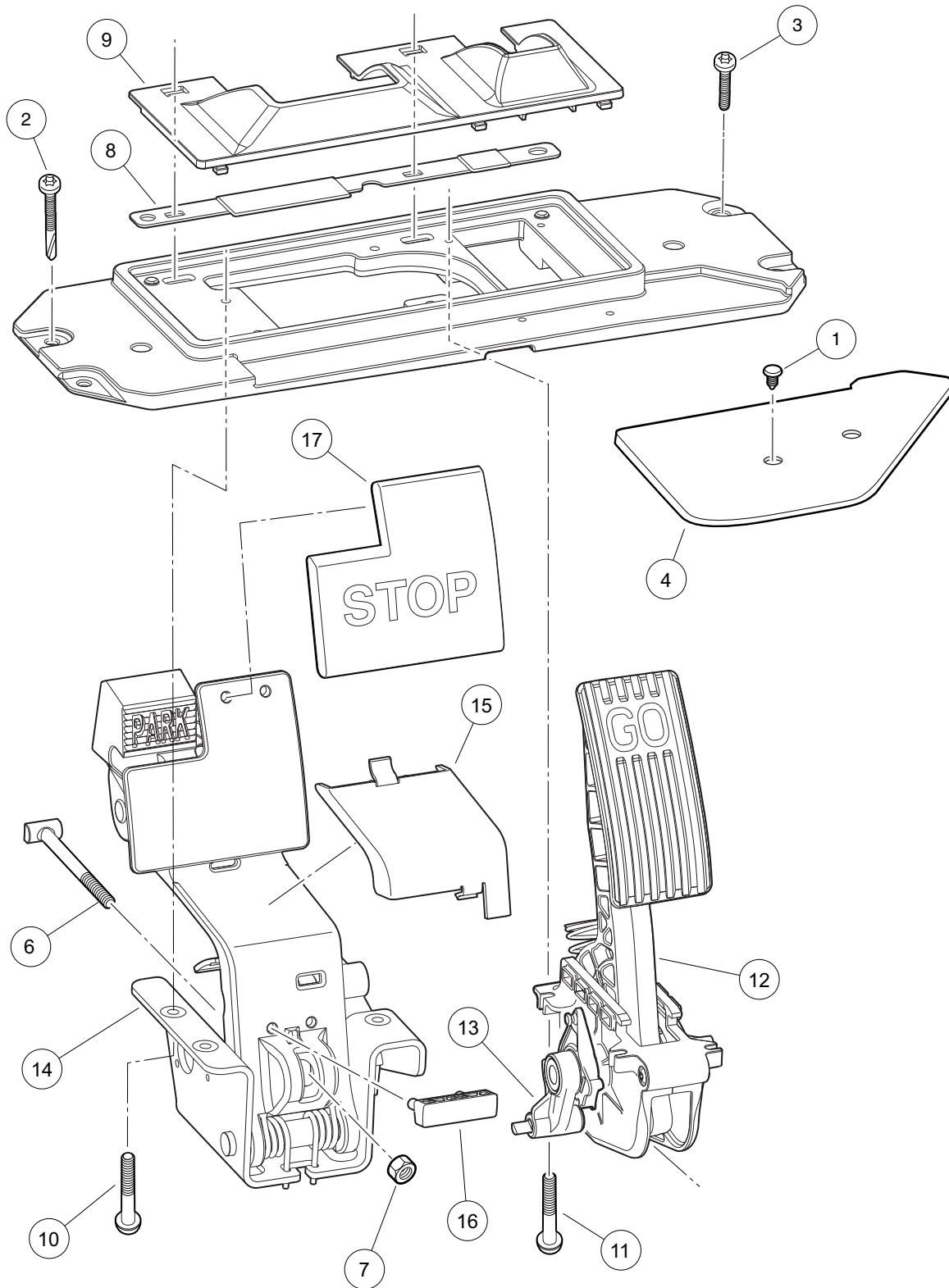


## PEDAL GROUP WITH SENSOR – GASOLINE VEHICLE

ITEM	PART NO.	DESCRIPTION	QTY
		1 2 3 4	
1	1010434	Barrel - Plastic .....	1
2	102292201	Screw-1/4-20x2.20 Tx Pn Hd Sd .....	2
3	102298030	Screw, K80x30, Torx Pn Hd Pt .....	2
4	102500801	Plate - Floor Cover .....	1
5	103974815	Asm, Pedal Set, Anodized, Service, Gas Vehicle (includes items 6 through 15) .....	1
6	102559401	Rod, Brake .....	1
7	102559701	Nut, Brake Rod .....	1
8	102594801	Shield, Debris Aux .....	1
9	102594901	Shield, Debris Primary .....	1
10	102595502	Asm, Accel. Pedal/Throttle, Anodized, Gas Vehicle (includes items 11 and 12) .....	1
11	103777601	Asm, Park Brake Release, Anodized .....	1
12	N/A	Throttle Sensor .....	1
13	102595901	Screw, M6x1.0x17 Ph, Taptite .....	4
14	102596001	Screw, M5x0.8x18 Ph, Taptite .....	4
15	103974901	Asm, Brake Pedal, Anodized (includes items 16 through 18) .....	1
16	102595201	Cover, Brake .....	1
17	102595301	Upstop, Brake .....	1
18	102595401	Pad, Brake .....	1
<p>Note: Item 5 is not illustrated as a complete assembly. All detail parts are identified in the illustration.</p>			

5  
G  
E

**5**  
**G**  
**E**

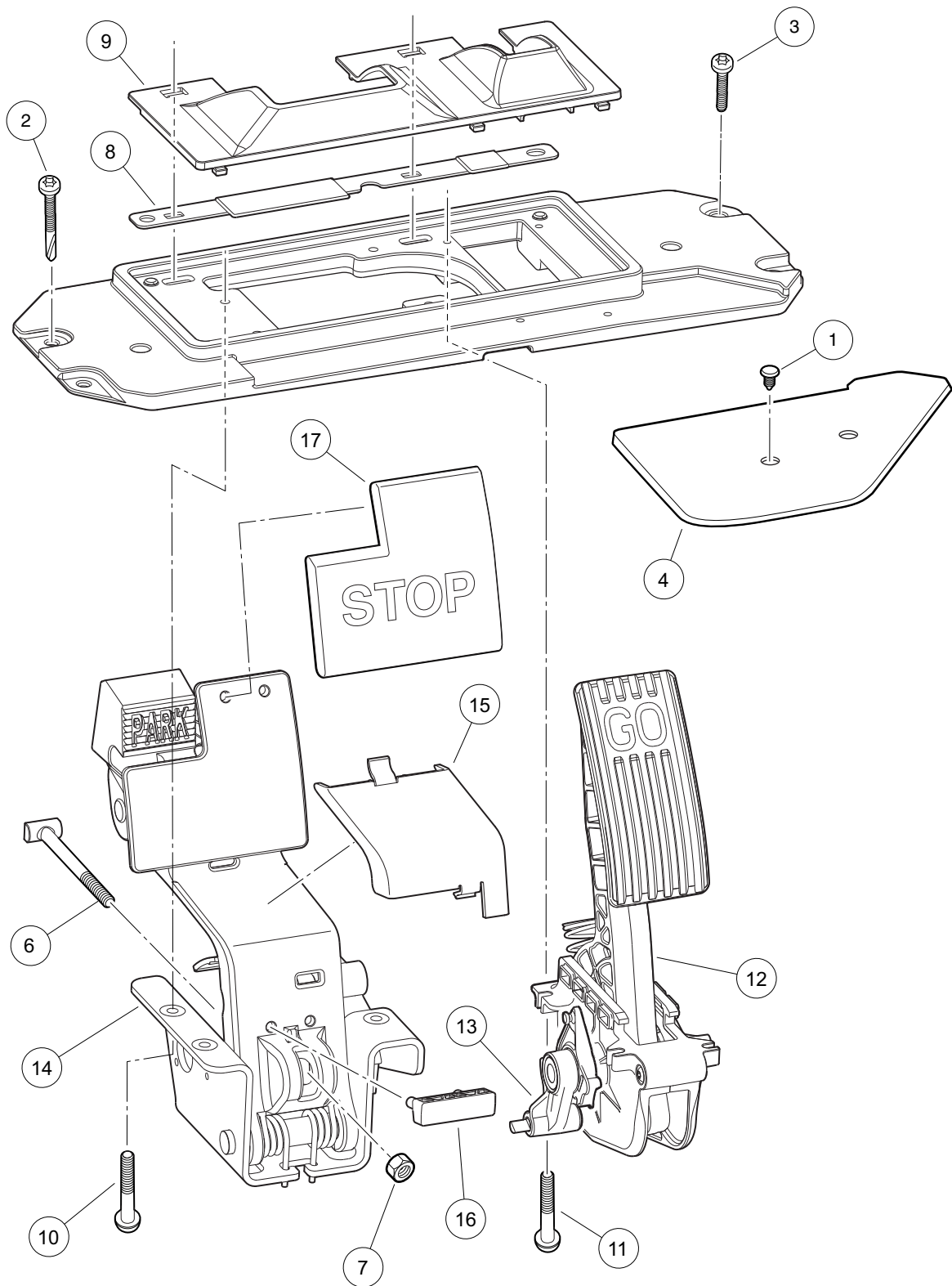


000487-018

## PEDAL GROUP W/O SENSOR, GASOLINE VEHICLE

ITEM	PART NO.	DESCRIPTION	QTY	
		1 2 3 4		<b>5</b>
1	1010434	Barrel - Plastic .....	1	<b>G</b>
2	102292201	Screw-1/4-20x2.20 Tx Pn Hd Sd .....	2	<b>E</b>
3	102298030	Screw, K80x30, Torx Pn Hd Pt .....	2	
4	102500801	Plate - Floor Cover .....	1	
5	103974821	Asm, Pedal, Anodized, Field Service, Gas or Elec (includes items 6 through 14) .....	1	
6	102559401	Rod, Brake .....	1	
7	102559701	Nut, Brake Rod .....	1	
8	102594801	Shield, Debris Aux .....	1	
9	102594901	Shield, Debris Primary .....	1	
10	102595901	Screw, M6x1.0x17 Ph, Taptite .....	4	
11	102596001	Screw, M5x0.8x18 Ph, Taptite .....	4	
12	102596301	Pedal, Accelerator, Anodized, Gas or Elec (includes item 13) .....	1	
13	103777601	Asm, Park Brake Release, Anodized .....	1	
14	103974901	Asm, Brake Pedal, Anodized (includes items 15 through 17) .....	1	
15	102595201	Cover, Brake .....	1	
16	102595301	Upstop, Brake .....	1	
17	102595401	Pad, Brake .....	1	
<p>Note: Pedal Assembly (item 5) has no sensor and is common to both gas and electric vehicles. Item 5 is not illustrated as a complete assembly. All applicable details are illustrated.</p>				

**5**  
**G**  
**E**



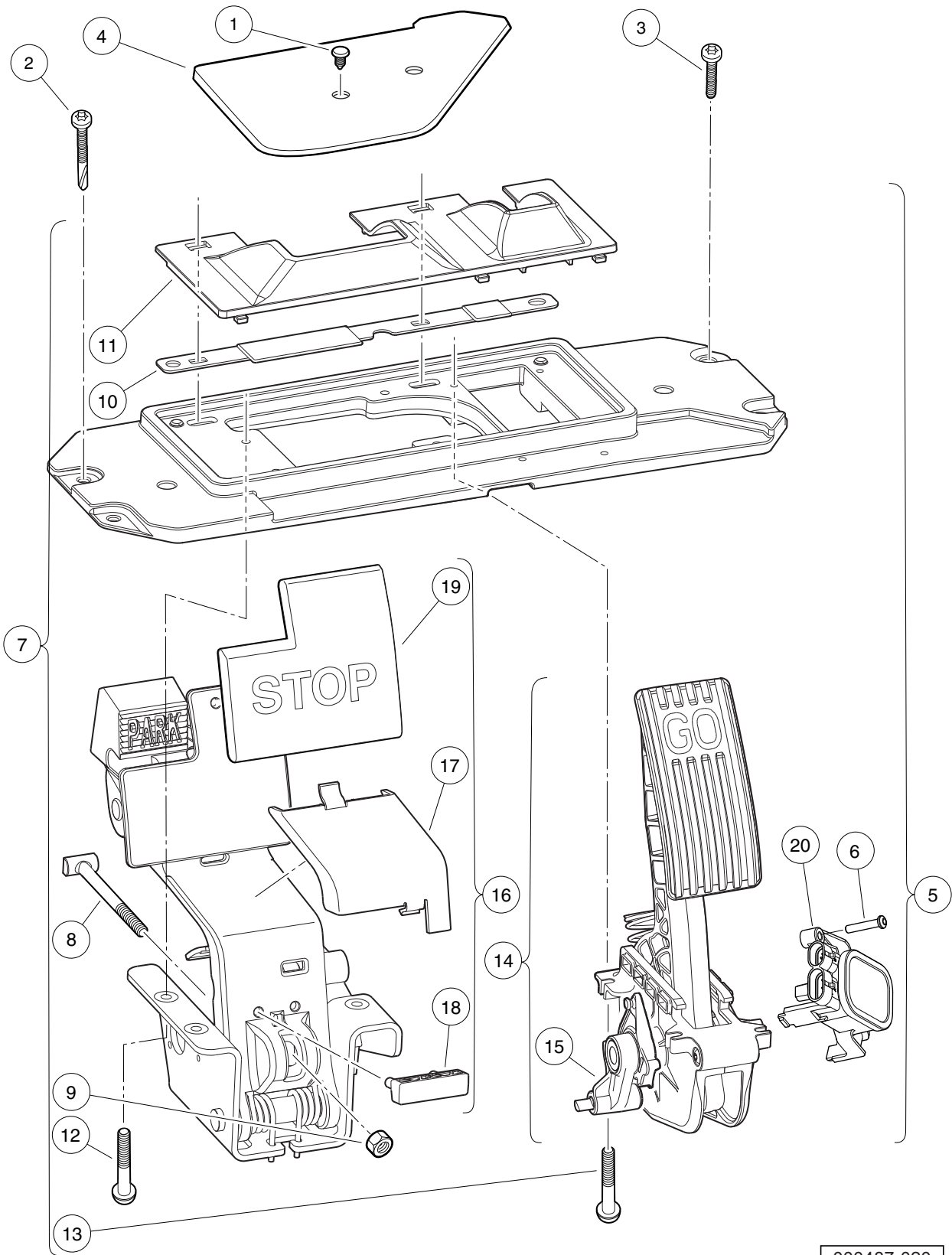
000487-016

## PEDAL GROUP W/O MCOR – ELECTRIC VEHICLE

ITEM	PART NO.	DESCRIPTION	QTY
		1 2 3 4	
1	1010434	Barrel - Plastic .....	1
2	102292201	Screw-1/4-20x2.20 Tx Pn Hd Sd .....	2
3	102298030	Screw, K80x30, Torx Pn Hd Pt .....	2
4	102500801	Plate - Floor Cover .....	1
5	103974821	Asm, Pedal, Anodized, Field Service, Gas or Elec (includes items 6 through 14) .....	1
6	102559401	Rod, Brake .....	1
7	102559701	Nut, Brake Rod .....	1
8	102594801	Shield, Debris Aux .....	1
9	102594901	Shield, Debris Primary .....	1
10	102595901	Screw, M6x1.0x17 Ph, Taptite .....	4
11	102596001	Screw, M5x0.8x18 Ph, Taptite .....	4
12	102596301	Pedal, Accelerator, Anodized, Gas or Elec (includes item 13) .....	1
13	103777601	Asm, Park Brake Release, Anodized .....	1
14	103974901	Asm, Brake Pedal, Anodized (includes items 15 through 17) .....	1
15	102595201	Cover, Brake .....	1
16	102595301	Upstop, Brake .....	1
17	102595401	Pad, Brake .....	1
<p>Note: Pedal Assembly (item 5) has no MCOR and is common to both gas and electric vehicles. Item 5 is not illustrated as a complete assembly. All applicable details are illustrated.</p>			

**5**  
**G**  
**E**

**5**  
**G**  
**E**



000487-020

## PEDAL GROUP WITH MCOR – ELECTRIC VEHICLE

ITEM	PART NO.	DESCRIPTION	QTY
		1 2 3 4	
1	1010434	Barrel - Plastic .....	1
2	102292201	Screw-1/4-20x2.20 Tx Pn Hd Sd .....	2
3	102298030	Screw, K80x30, Torx Pn Hd Pt .....	2
4	102500801	Plate - Floor Cover .....	1
5	103874111	Asm, Pedal Set, Anodized, w/MCOR, Service (includes items 6 through 20) .....	1
6	103943401	Screw, Pan, #10 X 1.00 Hi-lo .....	1
7	103975011	Asm, Pedal Set, Anodized, Service, Elec Vehicle (includes items 8 through 16) .....	1
8	102559401	Rod, Brake .....	1
9	102559701	Nut, Brake Rod .....	1
10	102594801	Shield, Debris Aux .....	1
11	102594901	Shield, Debris Primary .....	1
12	102595901	Screw, M6x1.0x17 Ph, Taptite .....	4
13	102596001	Screw, M5x0.8x18 Ph, Taptite .....	4
14	102596301	Pedal, Accelerator, Anodized, Gas or Elec (includes item 15) .....	1
15	103777601	Asm, Park Brake Release, Anodized .....	1
16	103974901	Asm, Brake Pedal, Anodized (includes items 17 through 19) .....	1
17	102595201	Cover, Brake .....	1
18	102595301	Upstop, Brake .....	1
19	102595401	Pad, Brake .....	1
20	105116301	MCOR4, Type 16 Switch .....	1
		Note: See the Electrical System Section for more MCOR information.	

5  
G  
E

**5**

**G**

**E**



# STEERING, FRONT AND REAR SUSPENSION

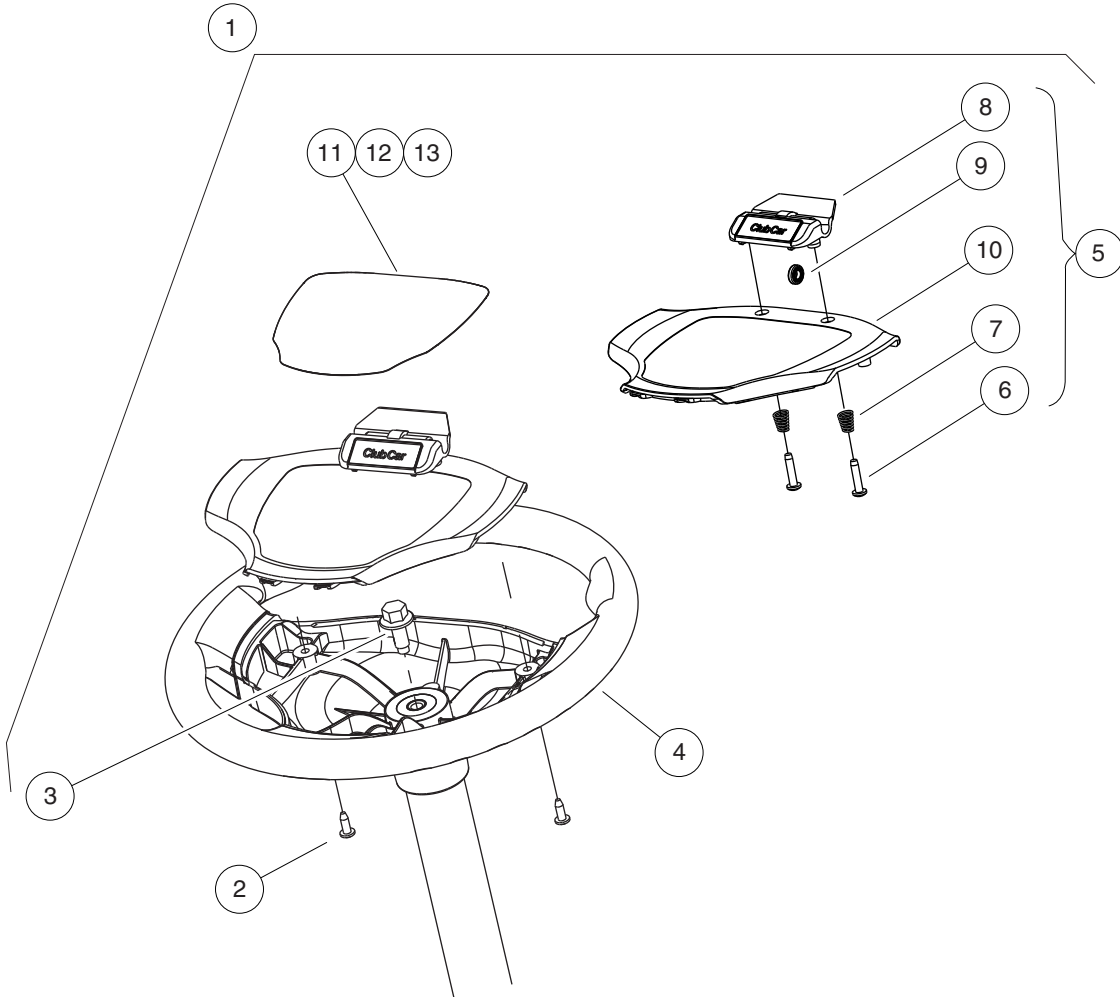
---

6

G

E

**6**  
**G**  
**E**



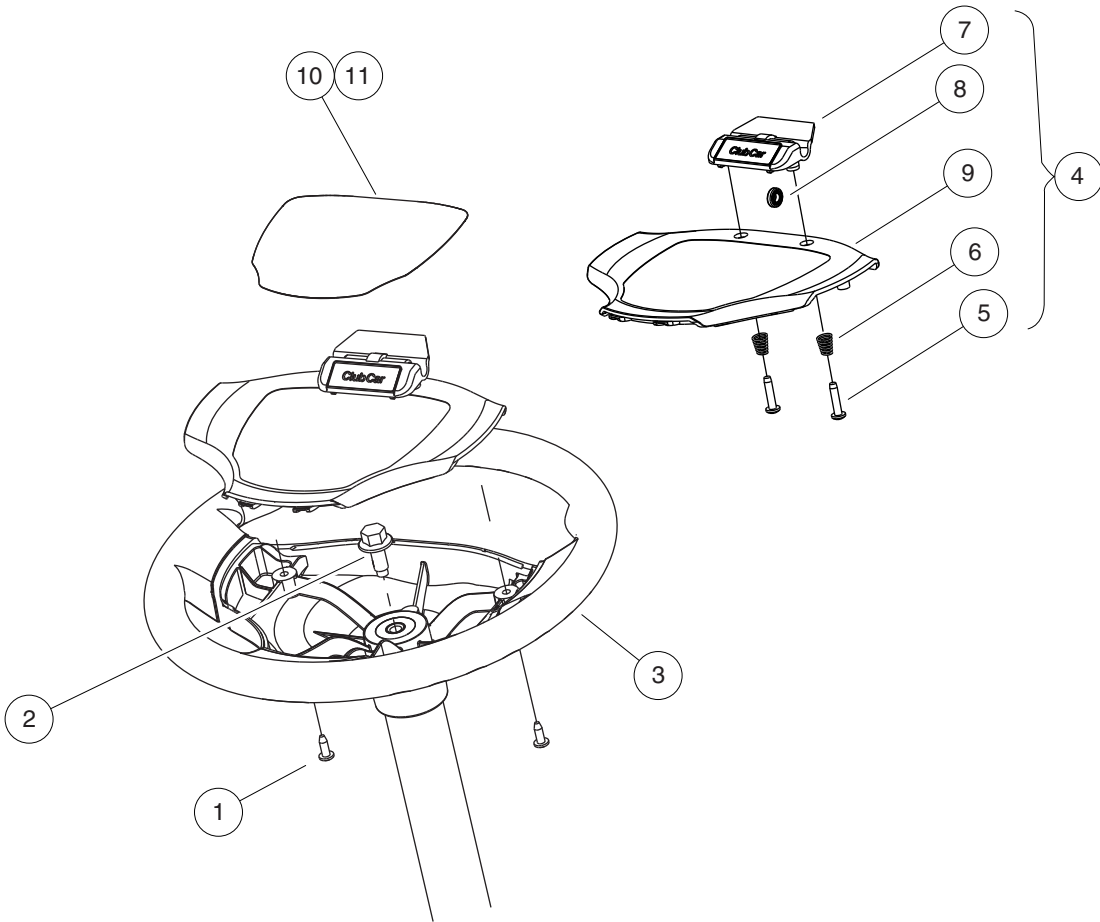
000470-002

# STEERING WHEEL, COMFORT GRIP WITH CLIP

ITEM	PART NO.	DESCRIPTION	QTY
		1 2 3 4	
1	103796701	Kit, Hex, Steering Wheel (includes items 2 through 13) .....	1
2	101850301	Screw, #12-16 X 0.50 Washer-Head Hi-Lo .....	2
3	102290120	Bolt, M10 X 20 Hex Washer Hd .....	1
4	103724503	Steering Wheel, Soft Grip, Hex .....	1
5	103724901	Asm, Scorecard, Clip (includes items 6 through 10) .....	1
6	1012565	Screw, #12 Phillips Round Head .....	2
7	1012566	Tapered Compression Spring .....	2
8	1016154	Clip, Scorecard .....	1
9	1016214	Pencil Grip .....	1
10	103724601	Cover, Steering Wheel, Clip .....	1
11	103783001	Decal, Op Instr, Ele .....	1
12	103783002	Decal, Op Instr, Gas Ps .....	1
13	103783003	Decal, Op Instr, Gas Ks .....	1
<p>Note: Kit supplies three optional decals. Refer to the Operators Manual for this vehicle or the decal section of this Manual to determine which decal applies.</p>			

6  
G  
E

**6**  
**G**  
**E**

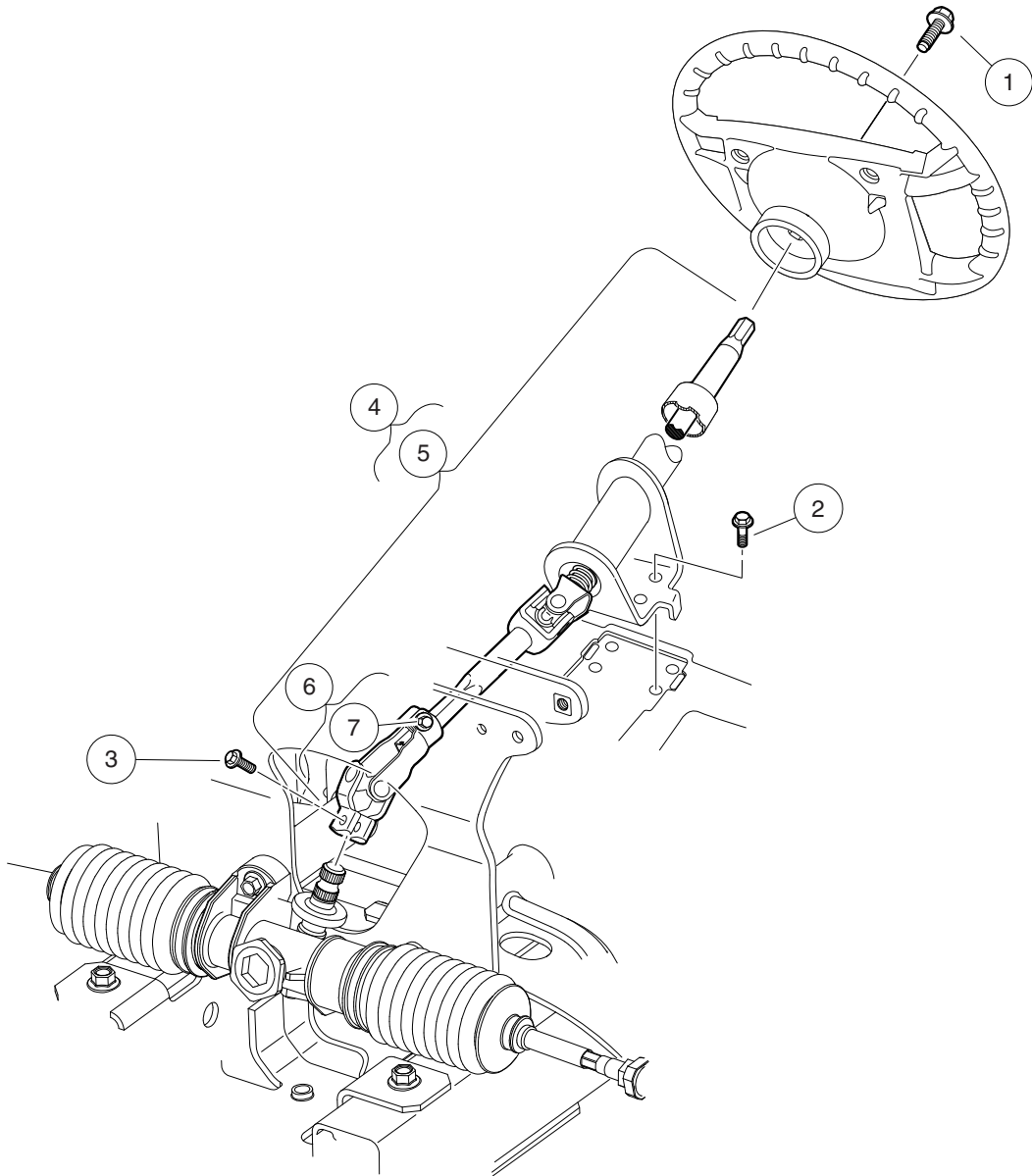


000470-005

# STEERING WHEEL

ITEM	PART NO.	DESCRIPTION	QTY
		<b>1 2 3 4</b>	
1	101850301	Screw, #12-16 X 0.50 Washer-Head Hi-Lo .....	2
2	102290120	Bolt, M10 X 20 Hex Washer Hd .....	1
3	103724501	Steering Wheel, Hex .....	1
4	103724901	Asm, Scorecard, Clip (includes items 5 through 9) .....	1
5	1012565	Screw, #12 Phillips Round Head .....	2
6	1012566	Tapered Compression Spring .....	2
7	1016154	Clip, Scorecard .....	1
8	1016214	Pencil Grip .....	1
9	103724601	Cover, Steering Wheel, Clip .....	1
10	103783001	Decal, Op Instr, Ele .....	1
11	103783002	Decal, Op Instr, Gas Ps .....	1
		Note: Refer to the Operators Manual for this vehicle or the decal section of this Manual to determine which decal applies.	

**6**  
**G**  
**E**

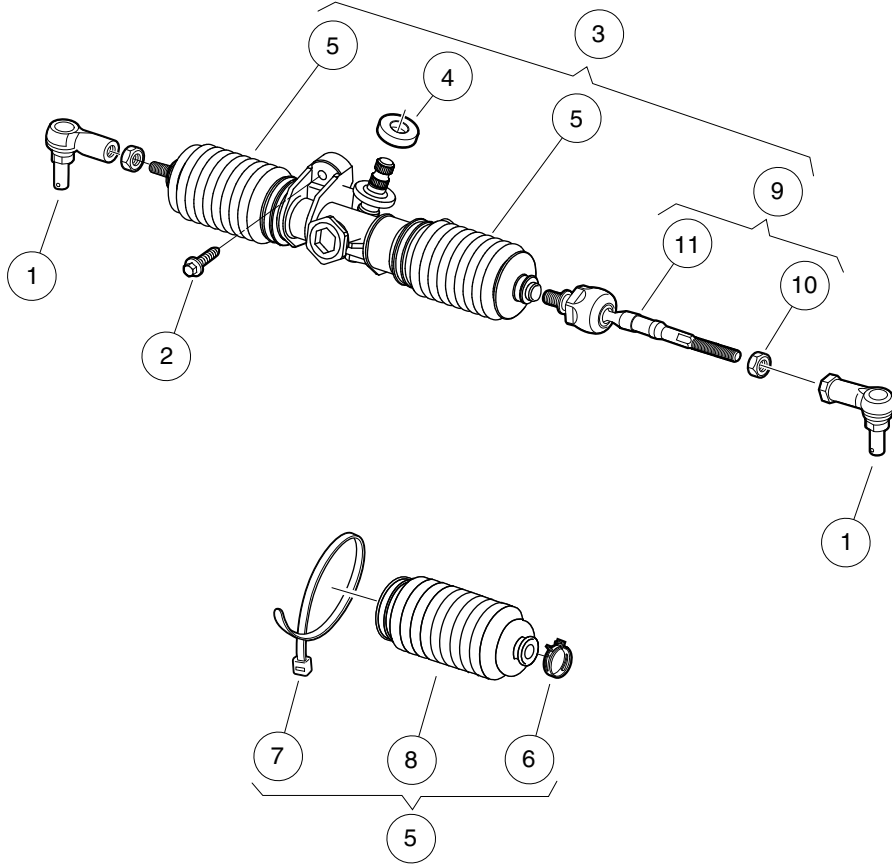


000469-007

# STEERING COLUMN

ITEM	PART NO.	DESCRIPTION	QTY
		<b>1 2 3 4</b>	
1	102290120	Bolt, M10 X 20 Hex Washer Hd .....	1
2	102298116	Bolt, Flanged Head, M8 X 16.0 .....	4
3	102298130	Bolt, Flange Head, M8 X 30.0 .....	1
4	105049001	Kit, Inner Steering Clmn (includes item 5) .....	1
5	105068601	Asm, Column, Inner (includes item 6) .....	1
6	103810201	Kit, Lower Yoke, Wanda (includes item 7) .....	1
7	102298130	Bolt, Flange Head, M8 X 30.0 .....	1

6  
G  
E



000476-005

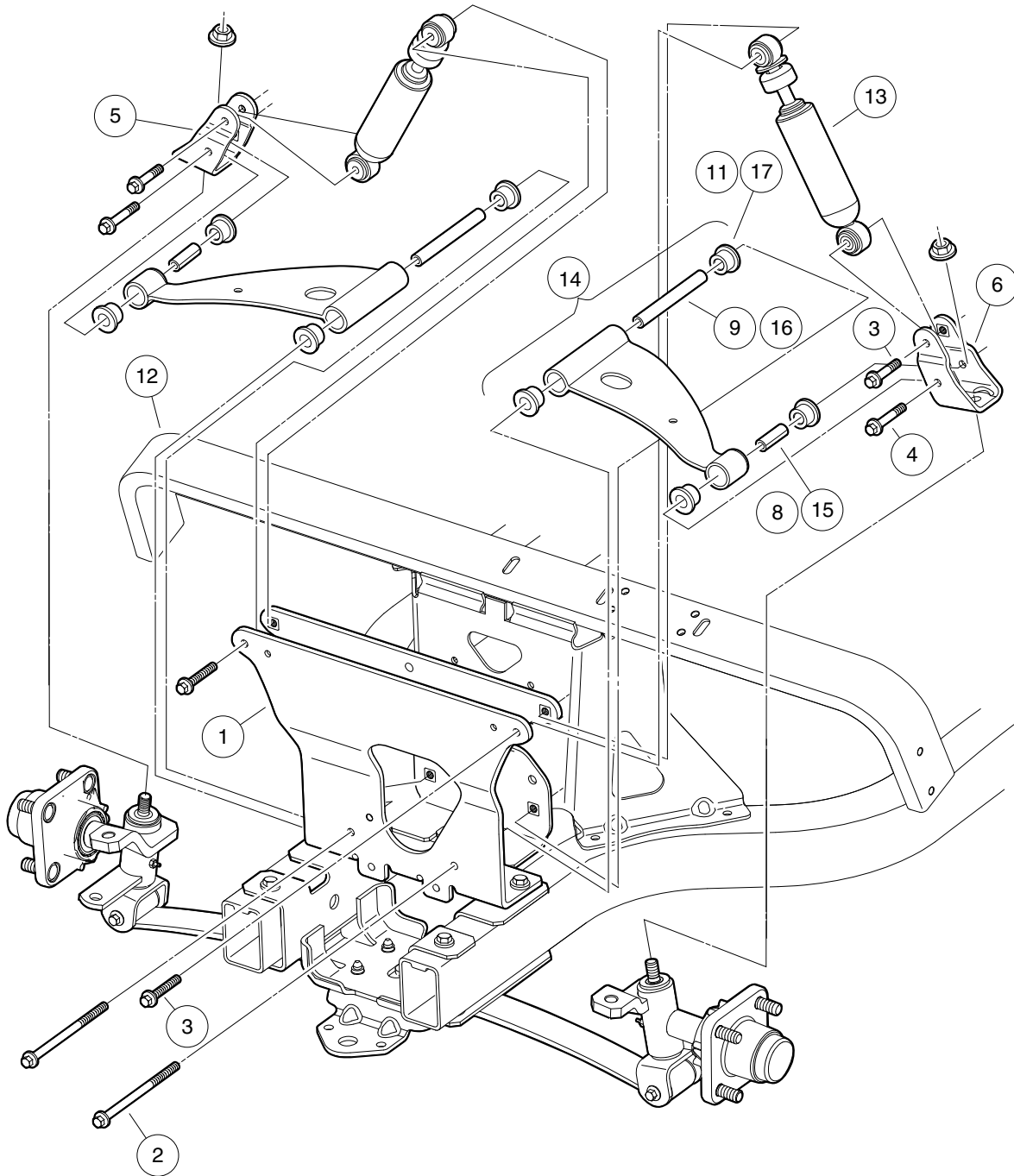


# STEERING GEAR ASSEMBLY

ITEM	PART NO.	DESCRIPTION	QTY
		<b>1 2 3 4</b>	
1	102022601	End, Tie Rod M12 X 1.25 Rh .....	2
2	102289001	Screw, M8X1.25X30, Hex .....	3
3	103679701	Asm, Rack & Pinion (includes items 4 through 9) .....	1
4	102565201	Seal, Dust, Steering Pinion .....	1
5	103826201	Bellow Kit, Steering-sona (includes items 6 through 8) .....	2
6	102566001	Clip, Steering .....	1
7	8990	Tie Wrap, 8" Nylon .....	1
8	N/A	Bellows .....	1
9	103826301	Kit, IBJ (Inner Ball Joint), Steering-sona (includes items 10 and 11) .....	2
10	1013042	Nut, 12mm Hex .....	1
11	N/A	Inner Ball Joint .....	1

**6**  
**G**  
**E**

**6**  
**G**  
**E**



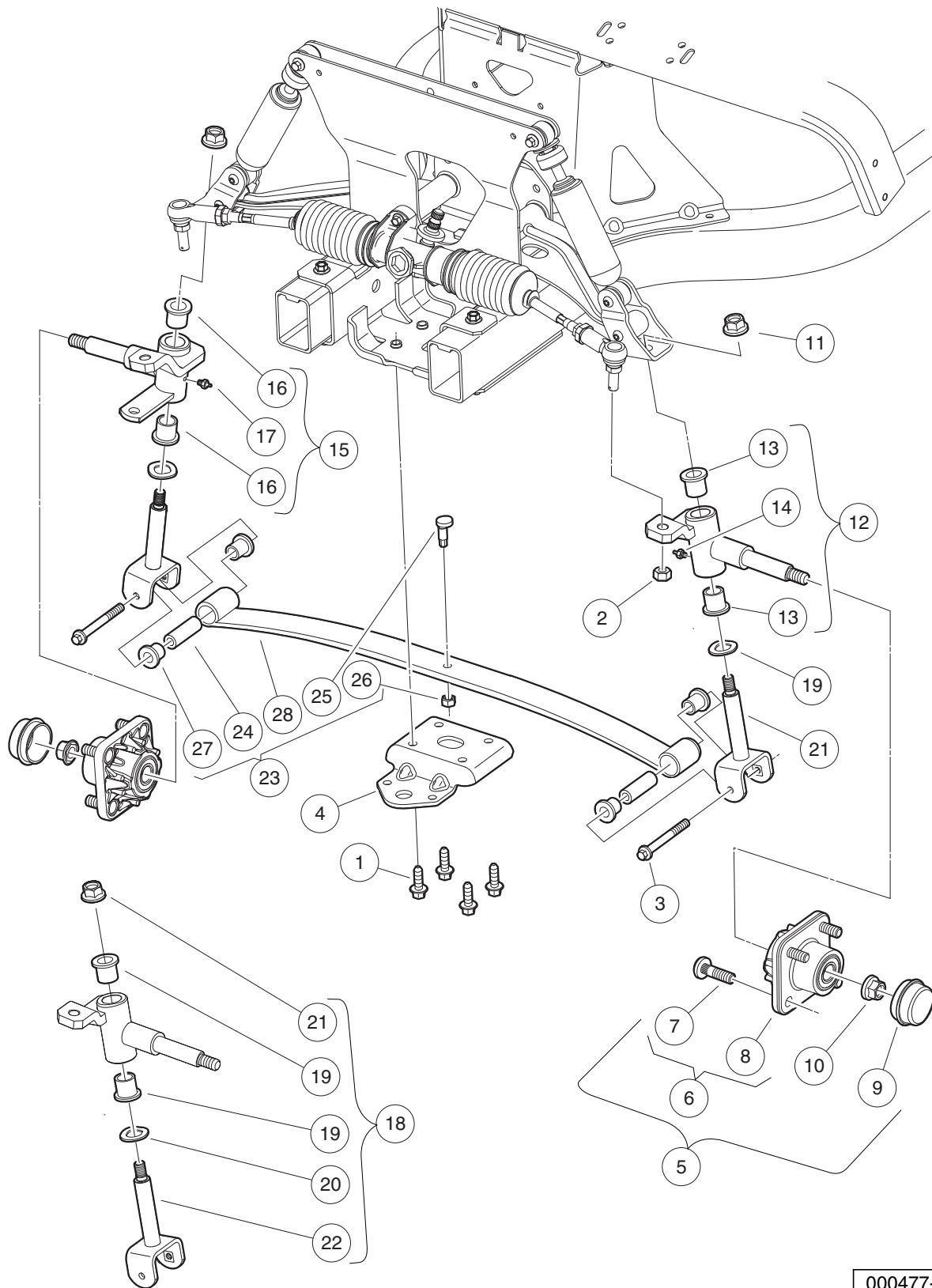
000445-005

## FRONT SUSPENSION, UPPER

ITEM	PART NO.	DESCRIPTION	QTY
		<b>1 2 3 4</b>	
1	102287101	Assembly - Front Structure .....	1
2	102288901	Bolt, Hex, M8x1.25 X 135 .....	2
3	102289401	Screw- Hex Cap, M8 X 1.25 X 45 .....	4
4	102289501	Screw- Hex Cap, M8 X 1.25 X 70 .....	2
5	102289601	Upper Clevis Assembly, Passenger-side .....	1
6	102289701	Upper Clevis Assembly, Driver-side .....	1
7	102289901	Kit, Susp, Bushing Joints (includes items 8 through 11) .....	1
8	102287601	Sleeve - Rolled, Outer .....	2
9	102287701	Sleeve - Rolled, Inner .....	2
10	102288101	Sleeve - Rolled, Spring .....	2
11	102956201	Bushing, Urethane, Short .....	12
12	102505701	Assembly, Dash Support .....	1
13	102588601	Shock Absorber Front .....	2
14	103388501	Asm, 3 Piece A-arm, Bushings (includes items 15 through 17) .....	2
15	102287601	Sleeve - Rolled, Outer .....	1
16	102287701	Sleeve - Rolled, Inner .....	1
17	102956201	Bushing, Urethane, Short .....	4
		Note: Item 7 (not shown) includes bushings and sleeves for control arms and front suspension leaf spring. See lower suspension page for illustration of item 10 (not shown).	

**6**  
**G**  
**E**

**6**  
**G**  
**E**



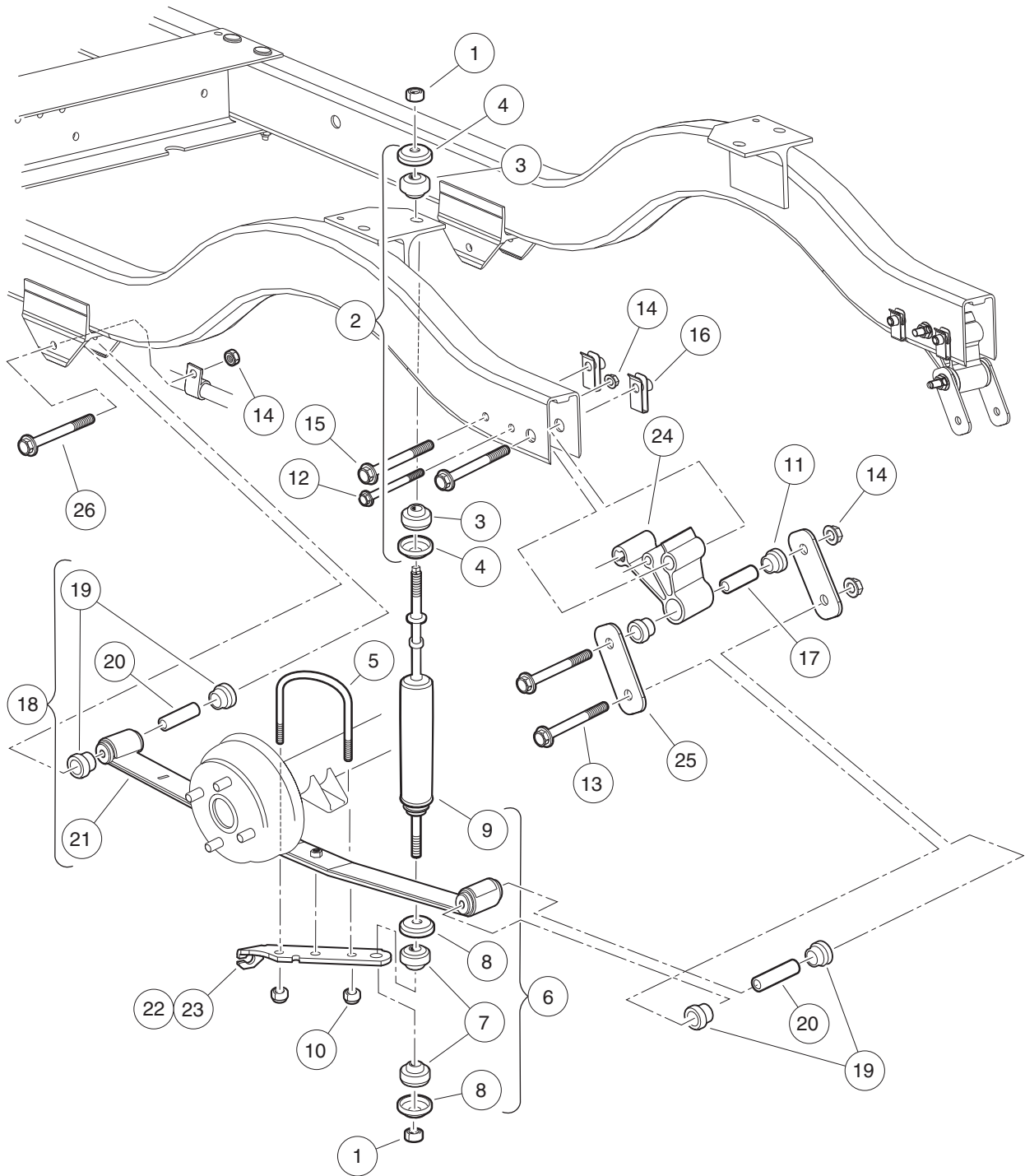
000477-009

## FRONT SUSPENSION, LOWER

ITEM	PART NO.	DESCRIPTION	QTY
		<b>1 2 3 4</b>	
1	102289101	Screw-m10x1.5, Trilob, Hex Fl .....	4
2	102289201	Nut - Hex Locking, M12 X 1.25 .....	2
3	102289501	Screw- Hex Cap, M8 X 1.25 X 70 .....	2
4	102289801	Clamp - Leaf Spring .....	1
5	102357701	Replacement Kit, Front Hub (includes items 6 through 10) .....	1
6	N/A	Front Hub Assembly, Ball Bearing (includes items 7 and 8) .....	1
7	102353401	Lug Stud, 1/2-20 UNF, 4037 Stl .....	4
8	N/A	Hub, Front .....	1
9	102353201	Cap, Front Hub .....	1
10	102353301	Hex Nut, Locking Flange, M14x2 .....	1
11	102878201	Nut, Lock,m12,washer,conical .....	2
12	103638701	Asm, Spindle, with Bushings, Driver-side (includes items 13 and 14) .....	1
13	102288201	Bushing - Flanged .....	2
14	N/A	Fitting, Grease, Knuckle Spindle Asym .....	1
15	103638702	Asm, Spindle, with Bushings, Passenger-side (includes items 16 and 17) .....	1
16	102288201	Bushing - Flanged .....	2
17	N/A	Fitting, Grease, Knuckle Spindle Asym .....	1
18	103638801	Kit, King Pin Joints (includes items 19 through 22) .....	1
19	102288201	Bushing - Flanged .....	4
20	102288401	Wave Washer - Kingpin .....	2
21	102878201	Nut, Lock,m12,washer,conical .....	2
22	103638601	Asm, King Pin, M12 .....	2
23	103935601	Asm, Spring, Leaf, Front, 50.4 (includes items 24 through 28) .....	1
24	102288101	Sleeve - Rolled, Spring .....	2
25	102288701	Eccentric Bolt .....	1
26	102288801	Nut-hex, 3/8-16 .....	1
27	102956201	Bushing, Urethane, Short .....	2
28	105187901	Spring, Leaf, Front, 50.4 .....	1

**6**  
**G**  
**E**

**6**  
**G**  
**E**



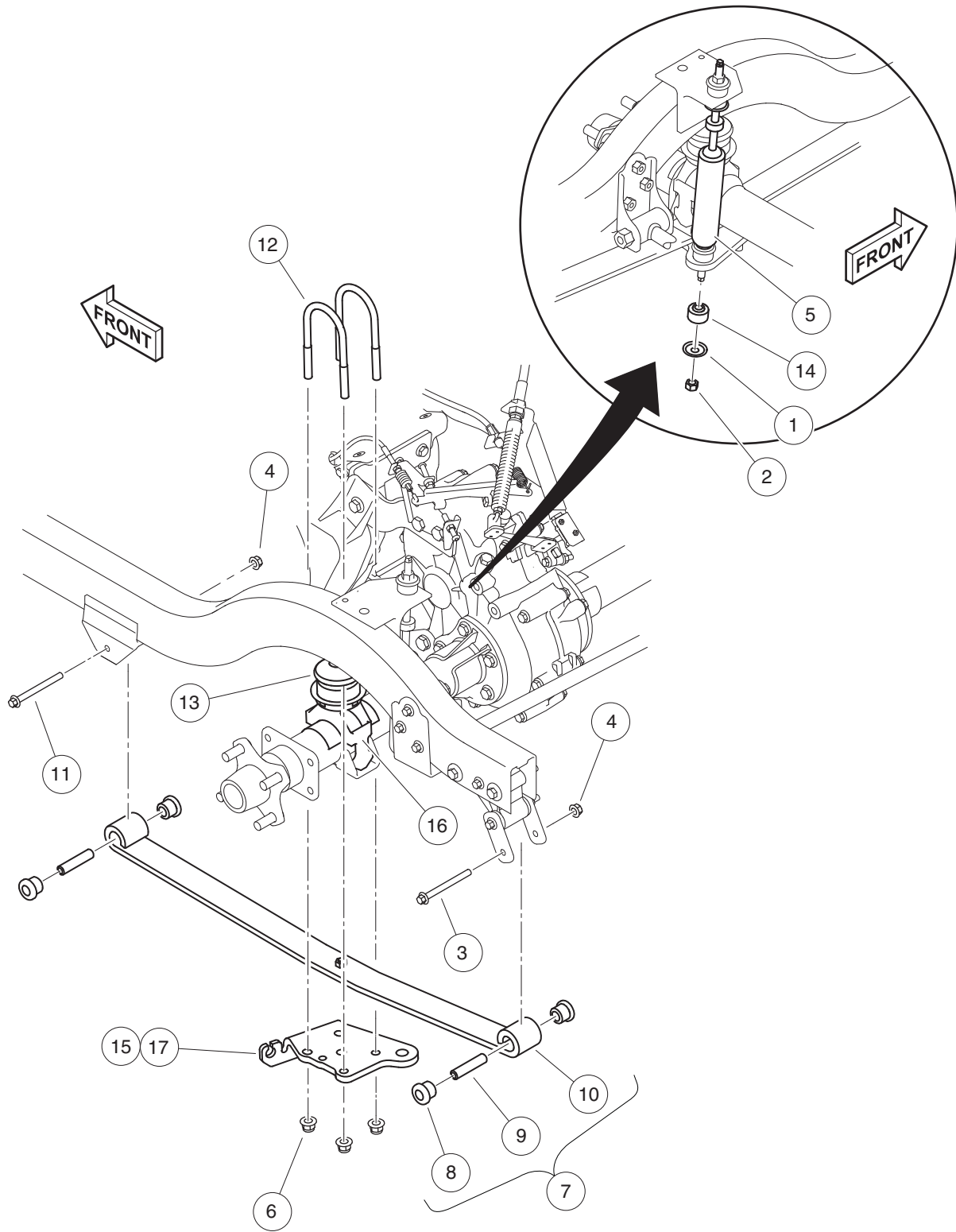
000446-005

# REAR SUSPENSION, STANDARD TWO-PASSENGER GASOLINE AND ELECTRIC

ITEM	PART NO.	DESCRIPTION	QTY
		<b>1 2 3 4</b>	
1	1010145	Nut, 3/8-24 Hex .....	4
2	1011415	Kit, Shock Absorber Cushion (includes items 3 and 4) .....	2
3	N/A	Retainer, Shock Absorber Cushion .....	2
4	47579096001	Isolator, Shock Damper .....	2
5	1012180	U-Bolt .....	2
6	1013164	Shock Absorber Kit (includes items 7 through 9) .....	1
7	N/A	Cushion, Shock Absorber .....	8
8	N/A	Retainer, Shock Absorber Cushion .....	8
9	102588501	Shock Absorber, Rear .....	2
10	1014555	Locknut, 7/16-14 Nylon Hex .....	4
11	1015583	Bushing, Urethane .....	4
12	102298170	Bolt - Flange Hd, M8 X 70.0 .....	2
13	102298175	Bolt - Flange Hd, M8 X 75.0 .....	2
14	102298401	Nut,m8,all Metal Lock .....	8
15	102298580	M8-1.25 X 80 Sems .....	4
16	102298601	J-clip - M8 X 1.25 .....	4
17	102506401	Sleeve - Spring Eye Mounts .....	2
18	103742305	Asm, Rear Leaf Spring, Light (includes items 19 through 21) .....	2
19	101558302	Bushing, Urethane, Soft .....	4
20	102506401	Sleeve - Spring Eye Mounts .....	2
21	N/A	Leaf Spring, Rear, Light .....	1
22	103921601	Bracket, Shock Mounting, Drv .....	1
23	103921602	Bracket, Shock Mounting, Pas .....	1
24	103964901	Spacer, Rail, Shackle .....	2
25	103965001	Brkt, Shackle, Rear .....	4
26	105188185	Bolt, M8 X 85mm, 10.9 Grade .....	4

**6**  
**G**  
**E**

**6**  
**G**  
**E**



001396-001

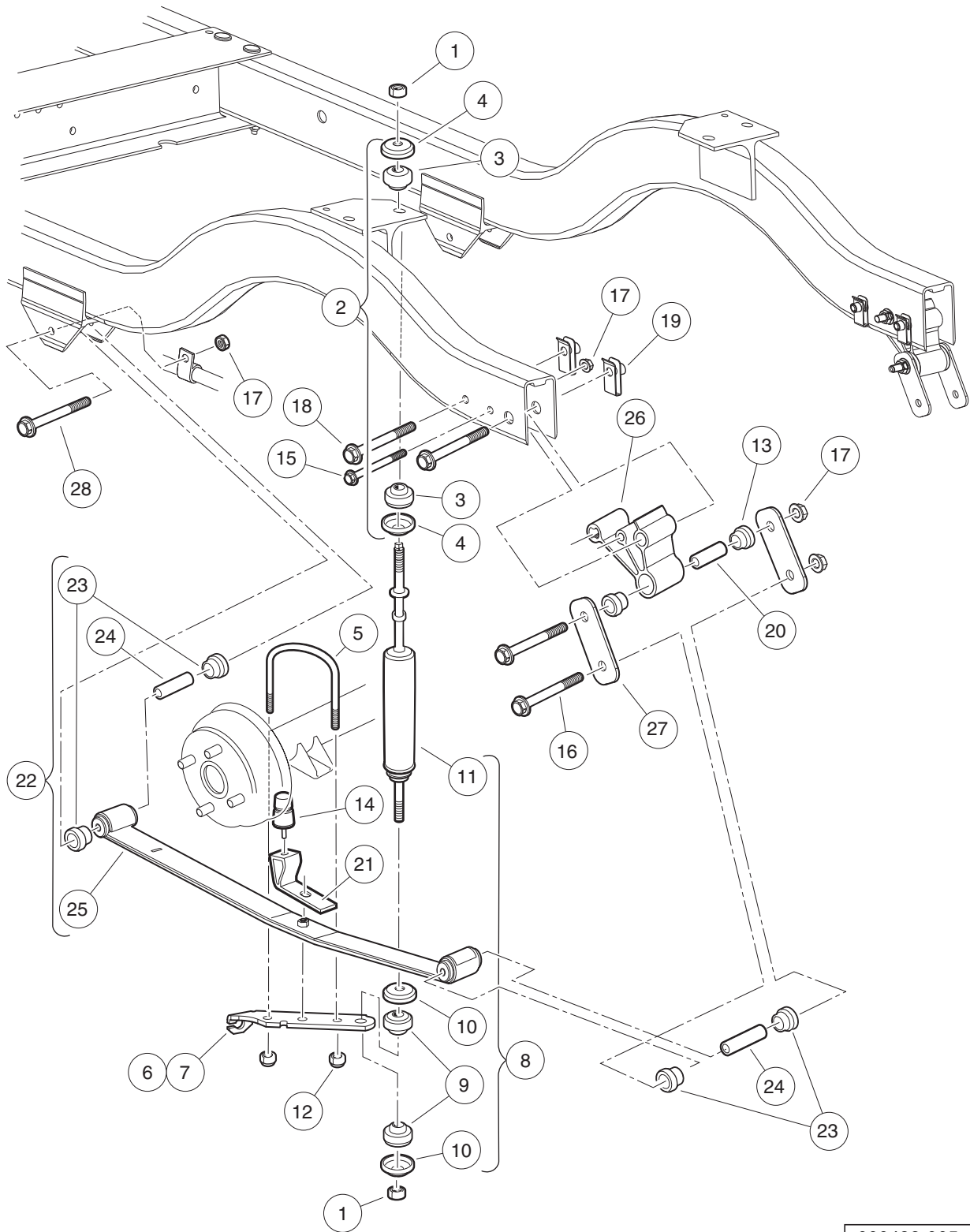


# REAR SUSPENSION, GASOLINE 4-PASSENGER – CONSUMER

ITEM	PART NO.	DESCRIPTION	QTY
		1 2 3 4	
1	N/A	Retainer, Shock Absorber Cushion .....	8
2	1010145	Nut, 3/8-24 Hex .....	4
3	102298175	Bolt - Flange Hd, M8 X 75.0 .....	2
4	102298401	Nut,m8,all Metal Lock .....	4
5	102588501	Shock Absorber, Rear .....	2
6	102670701	Nut, Flange, M10 X 1.5 Nylon .....	8
7	103742304	Asm, Rear Leaf Spring, Std (includes items 8 through 10) .....	2
8	101558302	Bushing, Urethane, Soft .....	4
9	102506401	Sleeve - Spring Eye Mounts .....	2
10	N/A	Leaf Spring, Rear, Std .....	1
11	105188185	Bolt, M8 X 85mm, 10.9 Grade .....	2
12	105188701	U-bolt, M10x1.5x58 .....	4
13	47576196001	Bumper, Jounce, D-255828 .....	2
14	47579096001	Isolator, Shock Damper .....	8
15	47583665001	Bracket, U-bolt, with Panhard Mount, Passenger-side .....	1
16	47583666001	Bracket, Perch, Bumper, Jounce .....	2
17	47583912001	Bracket, U-bolt, Driver-side .....	1

6  
G  
E

**6**  
**G**  
**E**



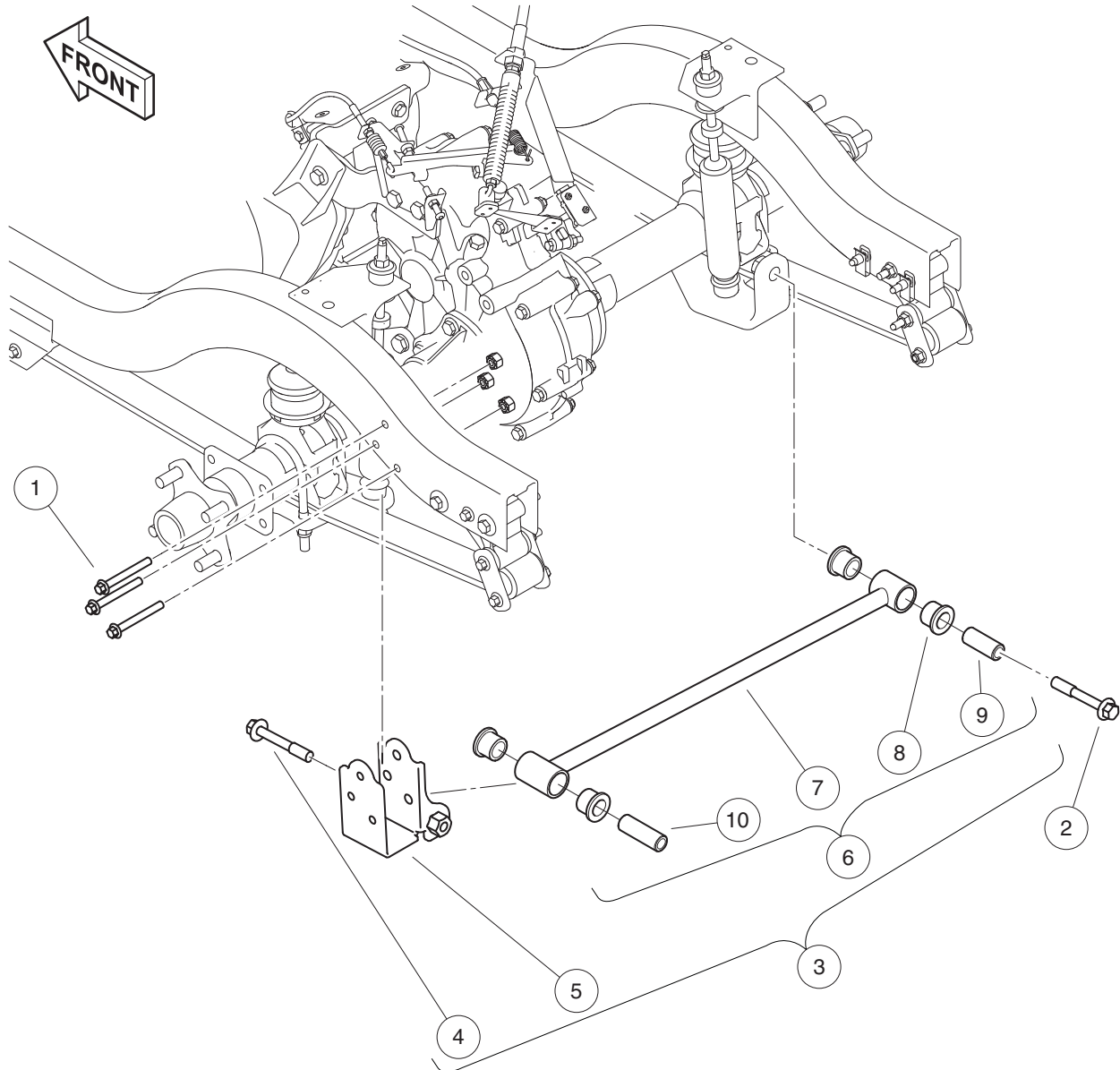
000492-005

# REAR SUSPENSION, FOUR PASSENGER ELECTRIC, OPTIONAL TWO OR FOUR PASSENGER HD

ITEM	PART NO.	DESCRIPTION	QTY
		<b>1 2 3 4</b>	
1	1010145	Nut, 3/8-24 Hex .....	4
2	1011415	Kit, Shock Absorber Cushion (includes items 3 and 4) .....	2
3	N/A	Retainer, Shock Absorber Cushion .....	2
4	47579096001	Isolator, Shock Damper .....	2
5	1012180	U-Bolt .....	2
6	1012181	Bracket, Shock Mounting, Right (Passenger) .....	1
7	1012182	Bracket, Shock Mounting, Left (Driver) .....	1
8	1013164	Shock Absorber Kit (includes items 9 through 11) .....	1
9	N/A	Cushion, Shock Absorber .....	8
10	N/A	Retainer, Shock Absorber Cushion .....	8
11	102588501	Shock Absorber, Rear .....	2
12	1014555	Locknut, 7/16-14 Nylon Hex .....	4
13	1015583	Bushing, Urethane .....	4
14	1017235	Bumper, Jounce .....	2
15	102298170	Bolt - Flange Hd, M8 X 70.0 .....	2
16	102298175	Bolt - Flange Hd, M8 X 75.0 .....	2
17	102298401	Nut,m8,all Metal Lock .....	8
18	102298580	M8-1.25 X 80 Sems .....	4
19	102298601	J-clip - M8 X 1.25 .....	4
20	102506401	Sleeve - Spring Eye Mounts .....	2
21	102534801	Jounce Bumper Bracket .....	2
22	103742306	Asm, Rear Leaf Spring (includes items 23 through 25) .....	2
23	101558302	Bushing, Urethane, Soft .....	4
24	102506401	Sleeve - Spring Eye Mounts .....	2
25	N/A	Leaf Spring, Rear .....	1
26	103964901	Spacer, Rail, Shackle .....	2
27	103965001	Brkt, Shackle, Rear .....	4
28	105188185	Bolt, M8 X 85mm, 10.9 Grade .....	4

**6**  
**G**  
**E**

**6**  
**G**  
**E**



001392-001

# PANHARD ROD

ITEM	PART NO.	DESCRIPTION	QTY
		<b>1 2 3 4</b>	
1	102298170	Bolt - Flange Hd, M8 X 70.0 .....	3
2	103146501	Bolt, Flg, M12 X 1.75 X 80 .....	1
3	47577865001	Assy, Panhard and Frame Rail Bracket (includes items 4 through 6) .....	1
4	103146501	Bolt, Flg, M12 X 1.75 X 80 .....	1
5	47576649001	Bkt, Frame Rail, Panhard .....	1
6	47577864001	Asm, Rod, Panhard (includes items 7 through 10) .....	1
7	47576650001	Assy, Weldment, Panhard .....	1
8	47576651001	Bushing, Slip, 3390000-160802 .....	4
9	47576652001	Sleeve, Bushing, Panhard, Short .....	1
10	47576652002	Sleeve, Bushing, Panhard, Long .....	1

**6**  
**G**  
**E**

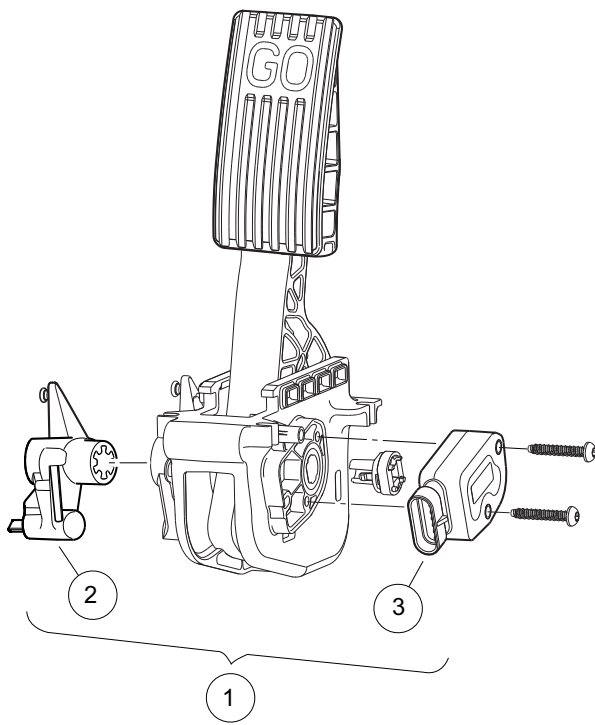
**6**

**G**

**E**

# ELECTRICAL SYSTEM – SUBARU EX40

---



000487-012



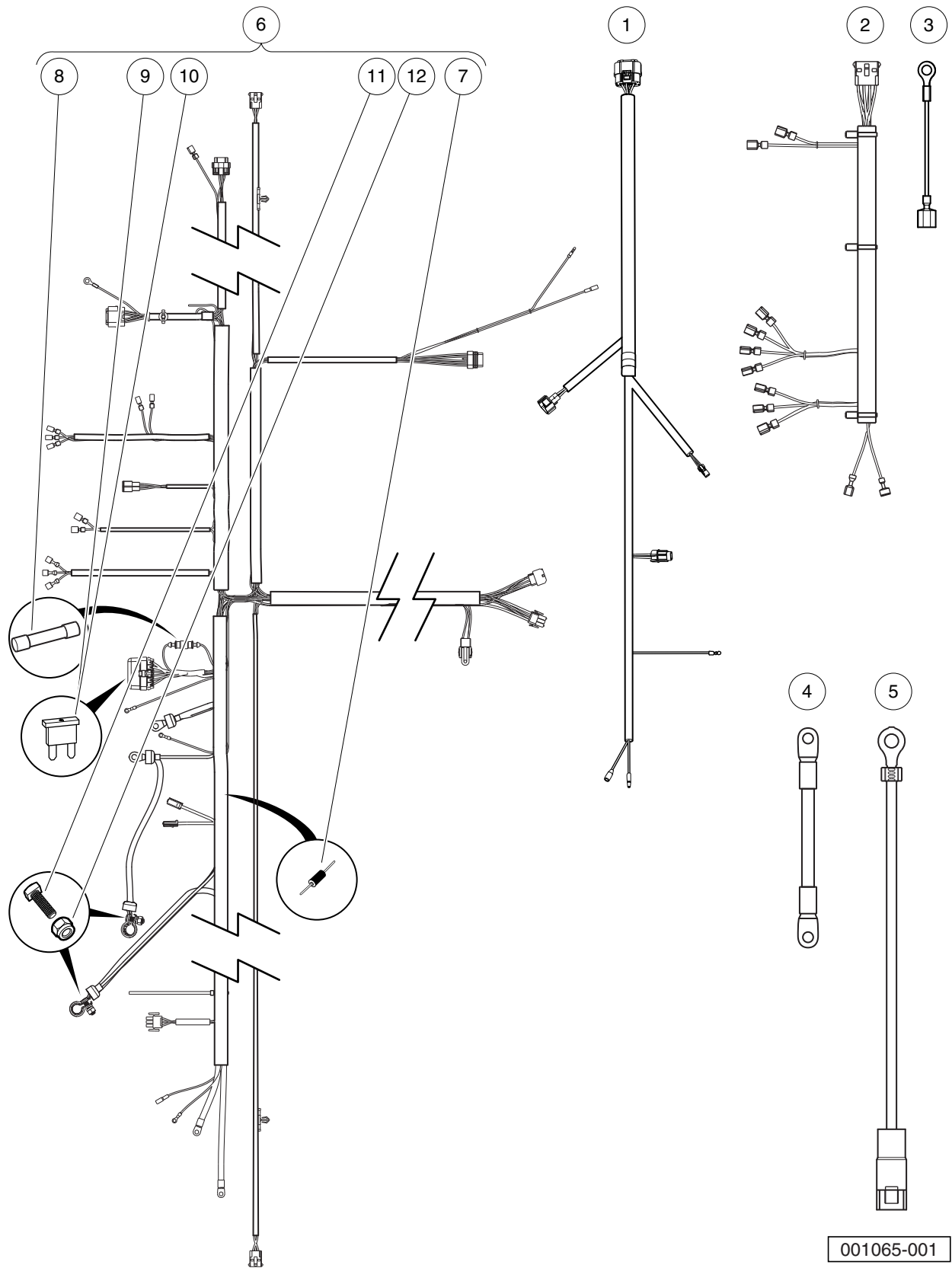
## ACCELERATOR PEDAL ASSEMBLY W/SENSOR – EFI

ITEM	PART NO.	DESCRIPTION	QTY
		1 2 3 4	
1	102595502	Asm, Accel. Pedal/Throttle, Anodized, Gas Vehicle (includes items 2 and 3) .....	1
2	103777601	Asm, Park Brake Release, Anodized .....	1
3	N/A	Throttle Sensor .....	1
<p>Note: For a complete Pedal Group, see section 5, Brakes and Pedal Group Assemblies.</p>			

7

G

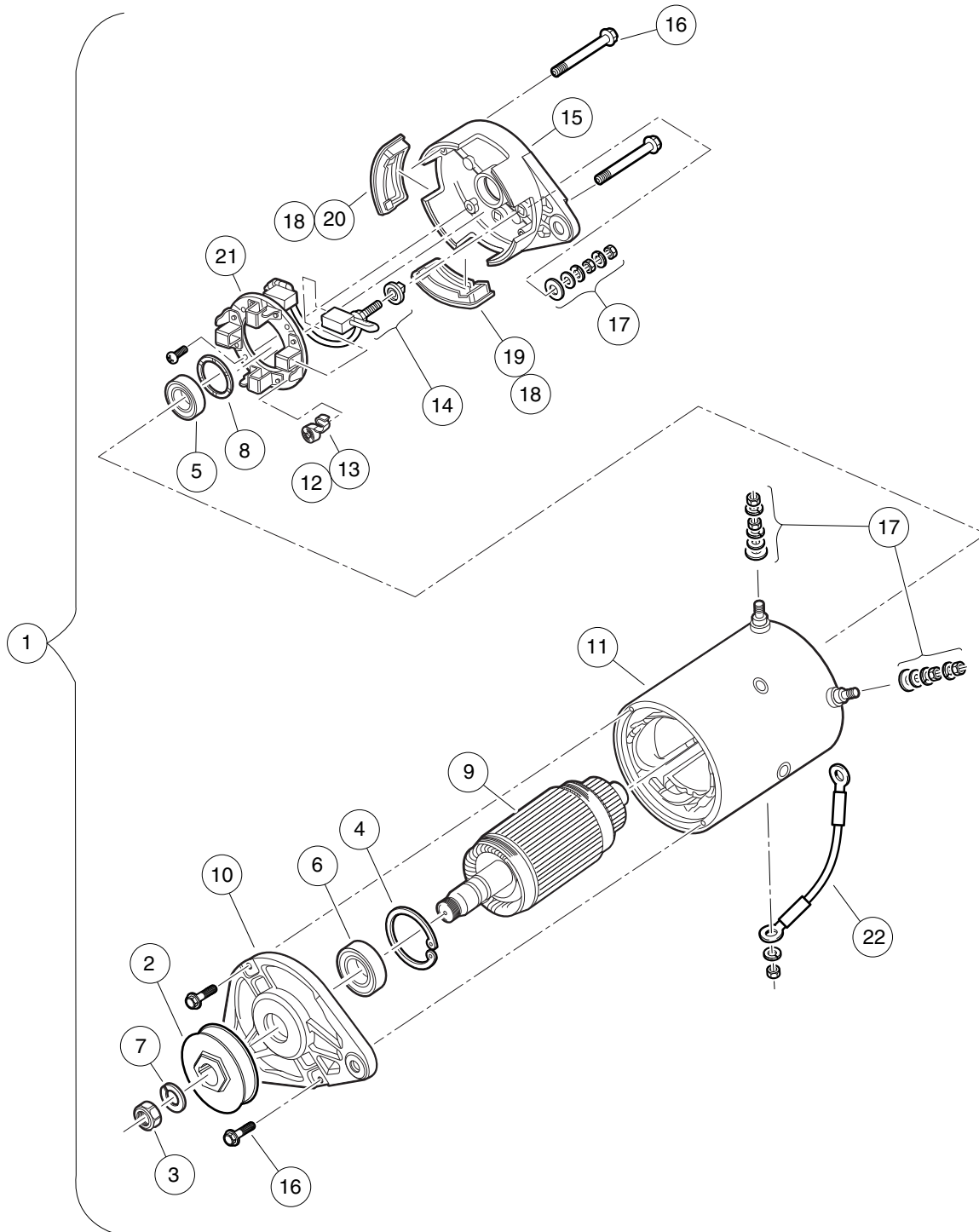
**7**  
**G**



# WIRING, FUSES AND ECU

ITEM	PART NO.	DESCRIPTION	QTY
		<b>1 2 3 4</b>	
1	105008101	Harness, Wire, ECU/Engine .....	1
2	105008301	Wire Harness, Dash .....	1
3	105143301	Wire, Ground, Fuel Tank .....	1
4	105161701	Wire, 4-Ga, Green, Starter/Generator .....	1
5	105228801	Wire, Ground, Engine .....	1
6	47568658001	Harness, Main, Start/stop (includes items 7 through 12) .....	1
7	1014789	Diode, General Purpose, 3.0-Amp .....	1
8	103924801	Fuse, Glass, 2-Amp .....	1
9	105081501	Fuse, ATM, 5-Amp .....	1
10	105081601	Fuse, ATM, 10-Amp .....	1
11	105255501	Bolt, Sqh 5/16-18x1 .....	2
12	105255601	Nut, Colar Hex, 5/16-18 .....	2

**7**  
**G**

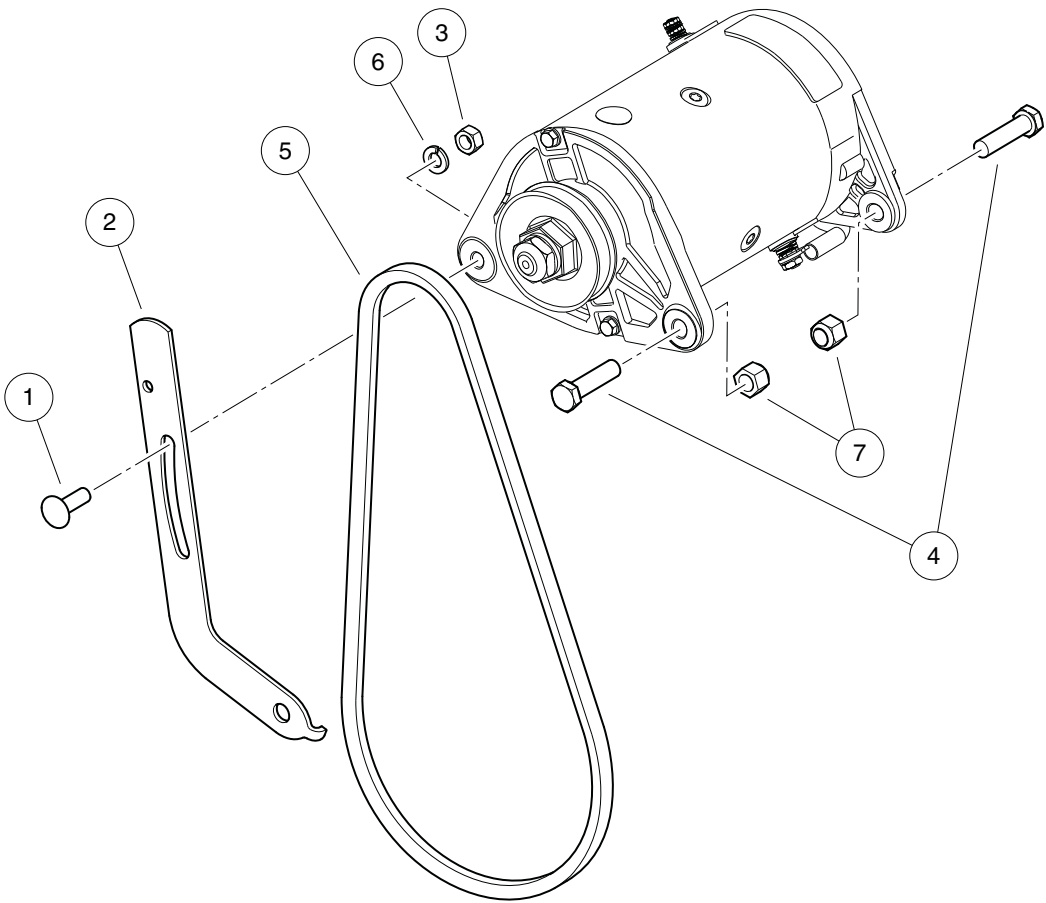


001016-001

# STARTER/GENERATOR (MODEL 114-05-4001), PEDAL-START – EFI

ITEM	PART NO.	DESCRIPTION	QTY
		<b>1 2 3 4</b>	
1	105190101	Starter/Generator, High-Torque, Utility, Pedal-Start (includes items 2 through 22) .....	1
2	1014289	Pulley, Starter/Generator .....	1
3	102838701	Nut, Hex, M14x2, S/G .....	1
4	102838801	Retainer, Front, S/G .....	1
5	102838901	Bearing, Ball, Front, S-g .....	1
6	102839001	Bearing, Ball, Front, S-g .....	1
7	102839301	Washer, Lock M14x2, S-g .....	1
8	102841101	Washer, Wave, S-g .....	1
9	N/A	Asm, Armature, Starter/Generator .....	1
10	102844601	Head, Drive End, S-g .....	1
11	102844701	Asm, Frame and Field, Starter/Generator .....	1
12	103347101	Kit, Spring Brush, Starter/Generator (includes item 13) .....	1
13	N/A	Spring, Brush, S-g .....	4
14	103347301	Set, Brush Term, S-g .....	1
15	103347601	Head, Comm End, S-g .....	1
16	103347701	Set, Fastener, Ceh Deh, S-g .....	1
17	103347801	Set, Term Hardware, S/G .....	1
18	103347901	Kit, Cover, Brush Insp, Starter/Generator (includes items 19 and 20) .....	1
19	N/A	Plug, Rubber Drain, Start/Generator .....	3
20	N/A	Cover, Inspection, S-g .....	1
21	103953301	Kit, Brush And Brush Holder .....	1
22	105161701	Wire, 4-Ga, Green, Starter/Generator .....	1

**7**  
**G**



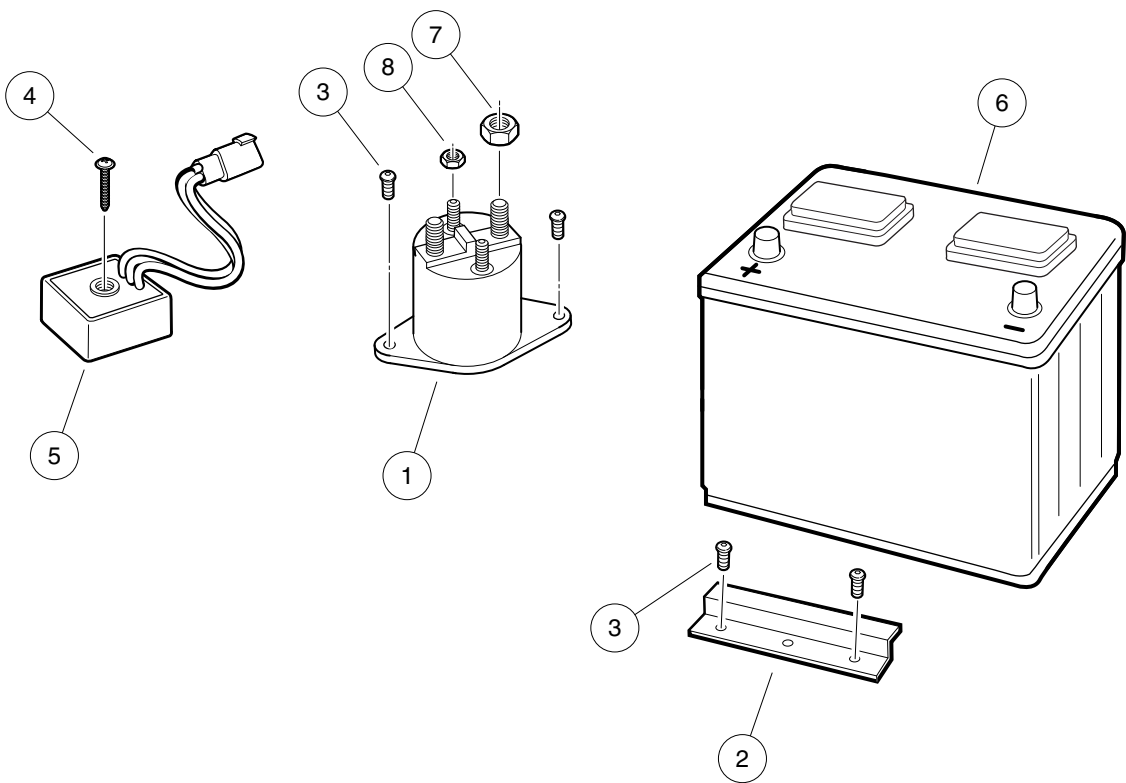
001009-002

# STARTER/GENERATOR MOUNTING, EX40

ITEM	PART NO.	DESCRIPTION	QTY
		1 2 3 4	
1	1015932	Bolt, Carriage, 5/16-18 .....	1
2	104005301	Bracket, Adjustable, Starter/Generator, EX40 .....	1
3	1242	Nut, 5/16-18 Hex .....	1
4	1624	Screw, 3/8-16 X 1.50, Hex-Head Cap .....	2
5	47539338001	Belt, Sg, Ex40, #5a .....	1
6	7174	Lockwasher, 5/16 Split .....	1
7	8754	Locknut, 3/8-16 Hex .....	2

**7**  
**G**

7  
G



001067-001

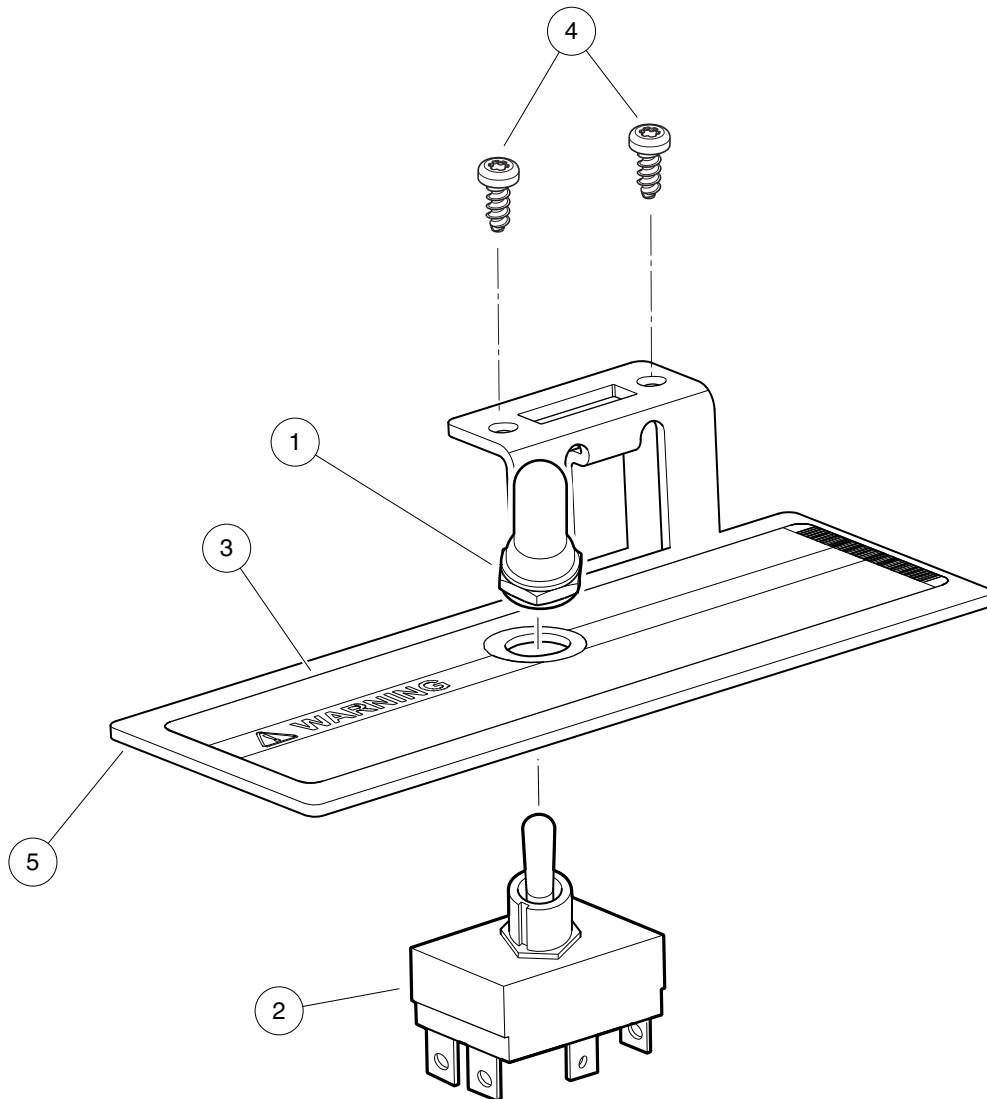


# TOP-POST BATTERY, SOLENOID, VOLTAGE REGULATOR – EFI

ITEM	PART NO.	DESCRIPTION	QTY
		1 2 3 4	
1	1013609	Solenoid, 12-Volt .....	1
2	101898001	Clamp, Battery .....	1
3	102296020	Screw, Torx Pan Hd Pt, M6 X 20 .....	4
4	102296040	Screw, Torx Pan Hd Pt, M6 X 40 .....	1
5	102803301	Asm, Voltage Regulator .....	1
6	105237399	Battery, Start, 12v, G 26, Sp .....	1
7	1242	Nut, 5/16-18 Hex .....	2
8	7893	Nut, #10-32 Hex .....	2

7

G



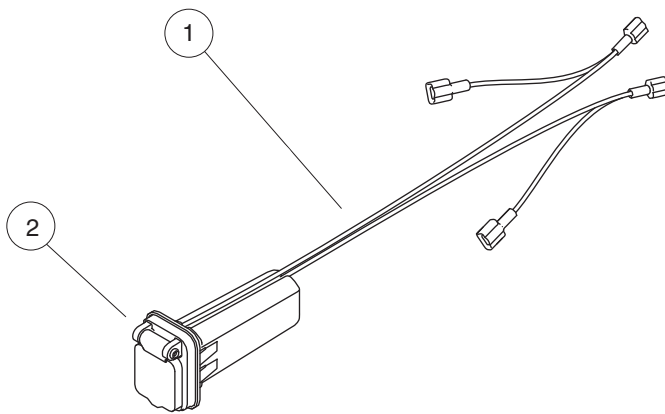
001058-001

# MAINTENANCE/OPERATE SWITCH

ITEM	PART NO.	DESCRIPTION	QTY
		1 2 3 4	
1	101908401	Boot, Switch .....	1
2	103198401	Switch, Toggle, SPDT .....	1
3	103205501	Decal, Maintenance/Operate Switch .....	1
4	N/A	Screw, #6 X .75, Cs Ss, Hi-lo .....	2
5	105136501	Brkt, Hinge And Serv Switch .....	1

7

G



001286-002

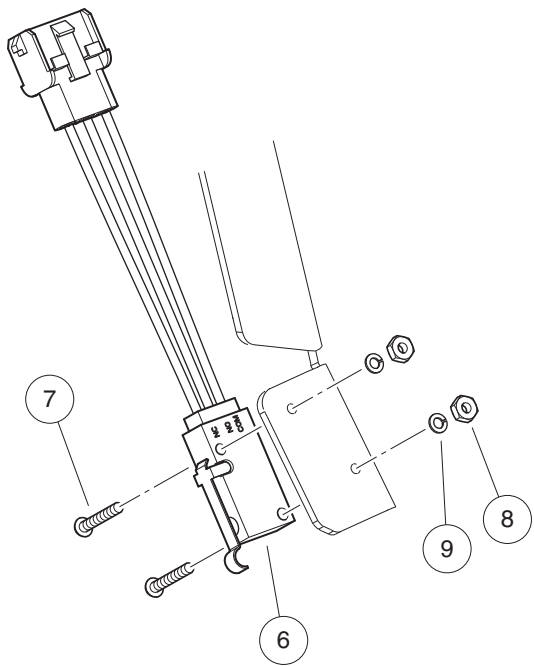
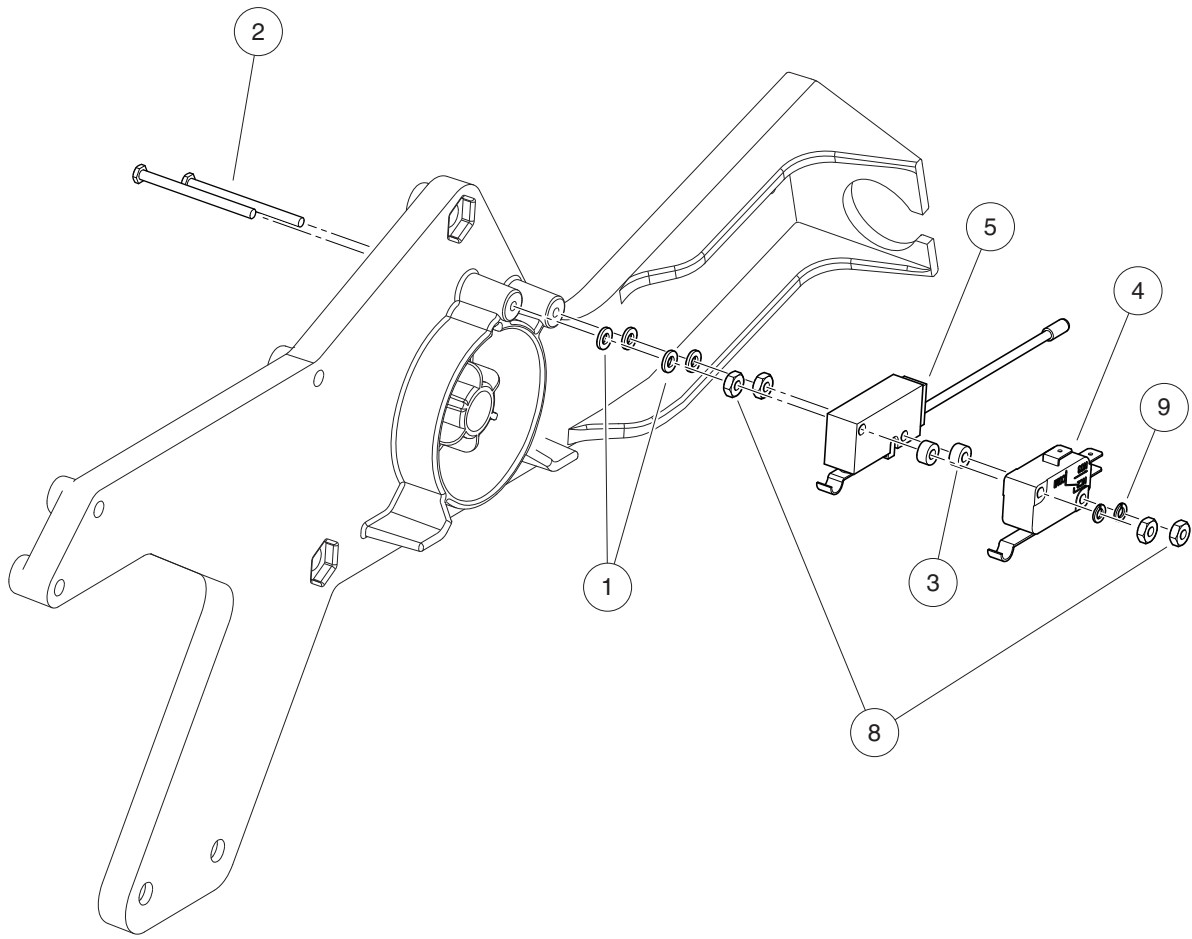
# USB PORT KIT FOR GAS VEHICLES

ITEM	PART NO.	DESCRIPTION	QTY
1	47604229001	1 2 3 4 Kit, Usb, Gas (includes item 2) .....	1
2	47587715001	Usb, 12v .....	1

7

G

**7**  
**G**



001013-001

## FORWARD/REVERSE SHIFTER SWITCHES – EFI

ITEM	PART NO.	DESCRIPTION	QTY
		1 2 3 4	
1	1012431	Washer, #4 Flat .....	4
2	1012594	Screw, #4-40 Machine .....	2
3	1014727	Washer, Flat, #4, Nylon .....	2
4	1014807	Switch, Limit .....	1
5	101979101	Switch, Limit, Assembly, Sealed .....	1
6	105102601	Switch, Limit, Sealed, with 3-Wire Lead .....	1
7	8056	Screw, #4-40 X 0.75 Round-Head Machine .....	2
8	8057	Nut, #4-40 Hex Machine .....	6
9	8058	Lockwasher, #4 Split .....	4
<p style="text-align: center;">Note: Item 5 is located on the shifter. Item 6 is located on the transaxle.</p>			

7

G

7

G



# ENGINE – SUBARU EX40

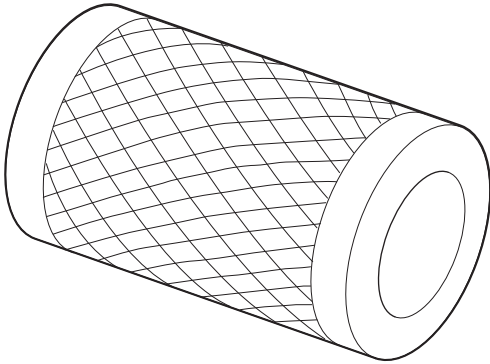
---

8

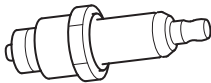
G

8

G



1



2

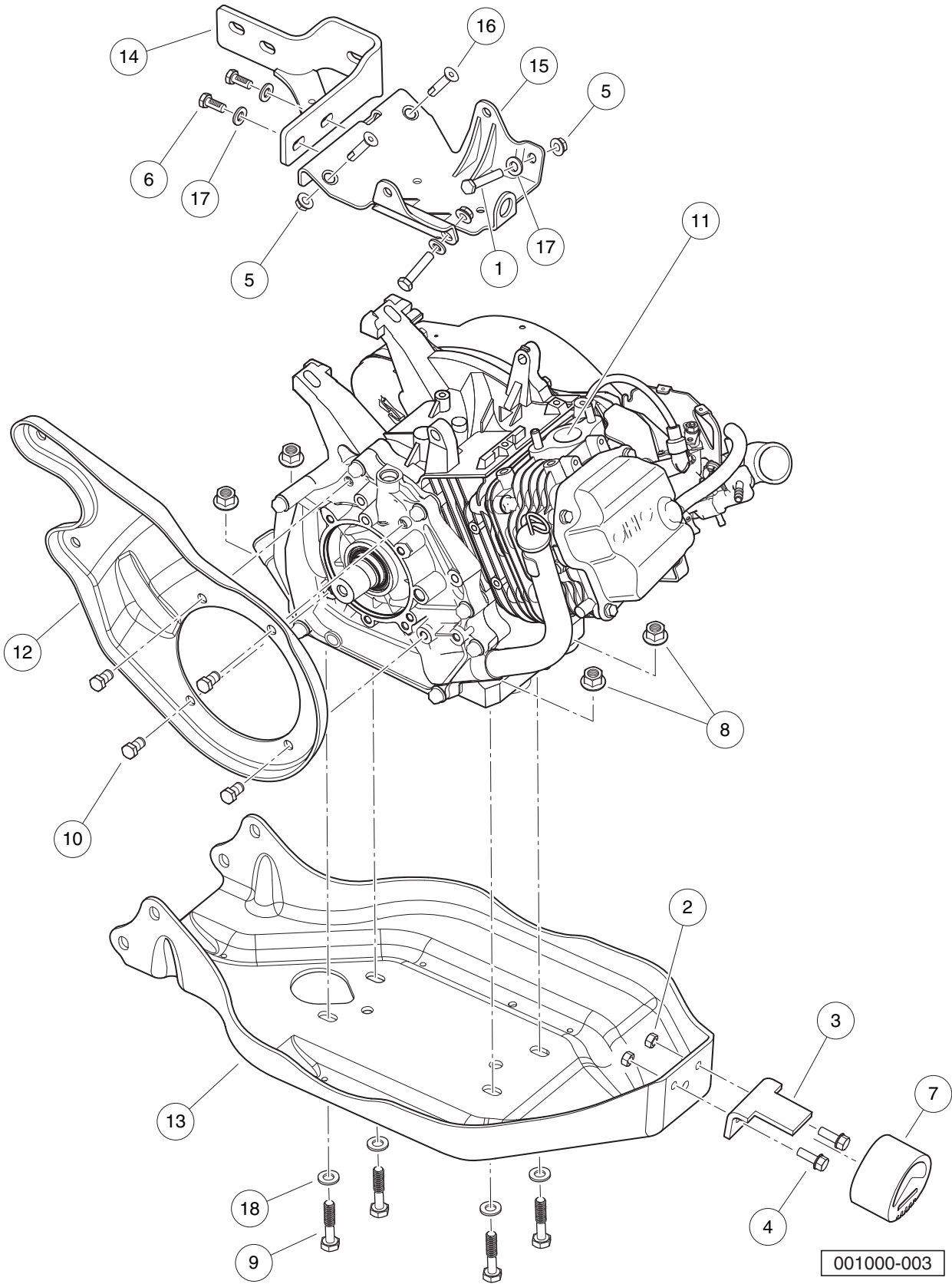
000992-003

## TUNE-UP PARTS – SUBARU EX40

ITEM	PART NO.	DESCRIPTION	QTY
		1 2 3 4	
1	102558201	Air Filter, 4 Inch .....	1
2	47539956001	Spark Plug, Ex40, Brp4hs .....	1

**8**

**G**

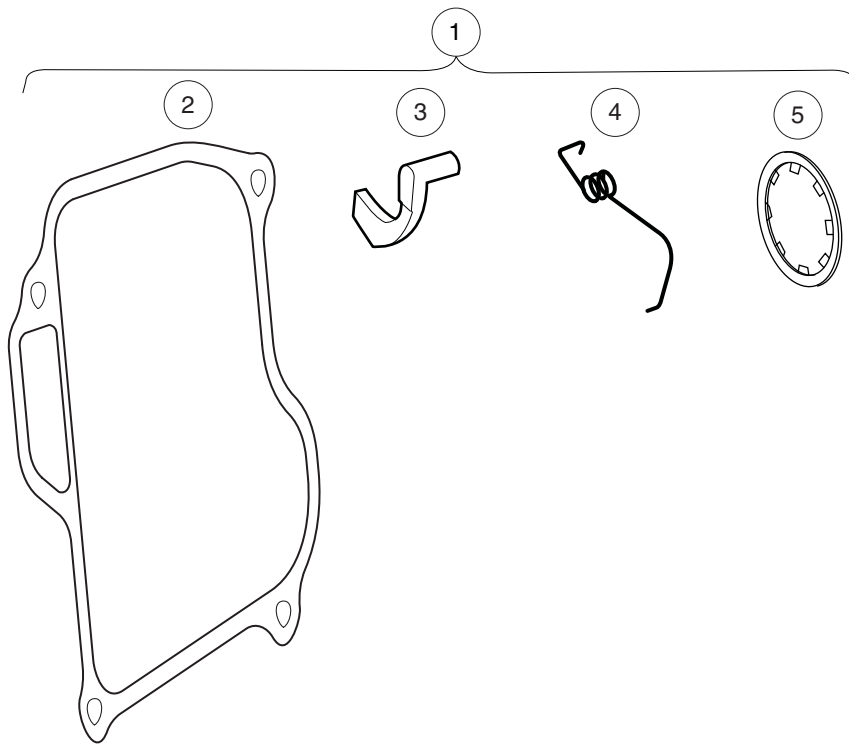


## ENGINE AND ENGINE MOUNTING

ITEM	PART NO.	DESCRIPTION	QTY
		1 2 3 4	
1	1010577	Bolt, Hex-Head, 5/16-18 X 1.50 .....	2
2	1013924	Nut, 5/16-24, Hex Head Cone .....	2
3	101834601	Bracket, Snubber .....	1
4	101884801	Screw, 5/16-24 X 0.875, Grade-8 .....	2
5	101963401	Locknut, 5/16-18 Hex Flange .....	4
6	102242101	Screw, 5/16-18 X 3/4 Hex-Head with Patch .....	2
7	102540301	Snubber, Inner Frame .....	1
8	102617201	Nut, Flanged, M10 X 1.5, Mechanically Deformed .....	4
9	102732401	Bolt, M10 X 45, Zn-Ni (Black) .....	4
10	103508101	Bolt, 3/8-16 X .75 Lock Patch .....	4
11	103882802	Engine, Gas, Subaru EX40, EFI, with Compression Release .....	1
12	103979401	Plate, Mounting, CVT, Center .....	1
13	103982201	Plate, Engine/Axle Mounting .....	1
14	105134601	Bracket, Mounting, Transaxle/Exhaust, EX40 .....	1
15	105149301	Bracket, Mounting, Starter/Generator, EX40 .....	1
16	105262401	Screw, 5/16-18 X 1.25, Cs, Lck .....	2
17	1241	Washer, 5/16 Type A Flat .....	4
18	96741046	Washer, M10, Hard .....	4

8

G

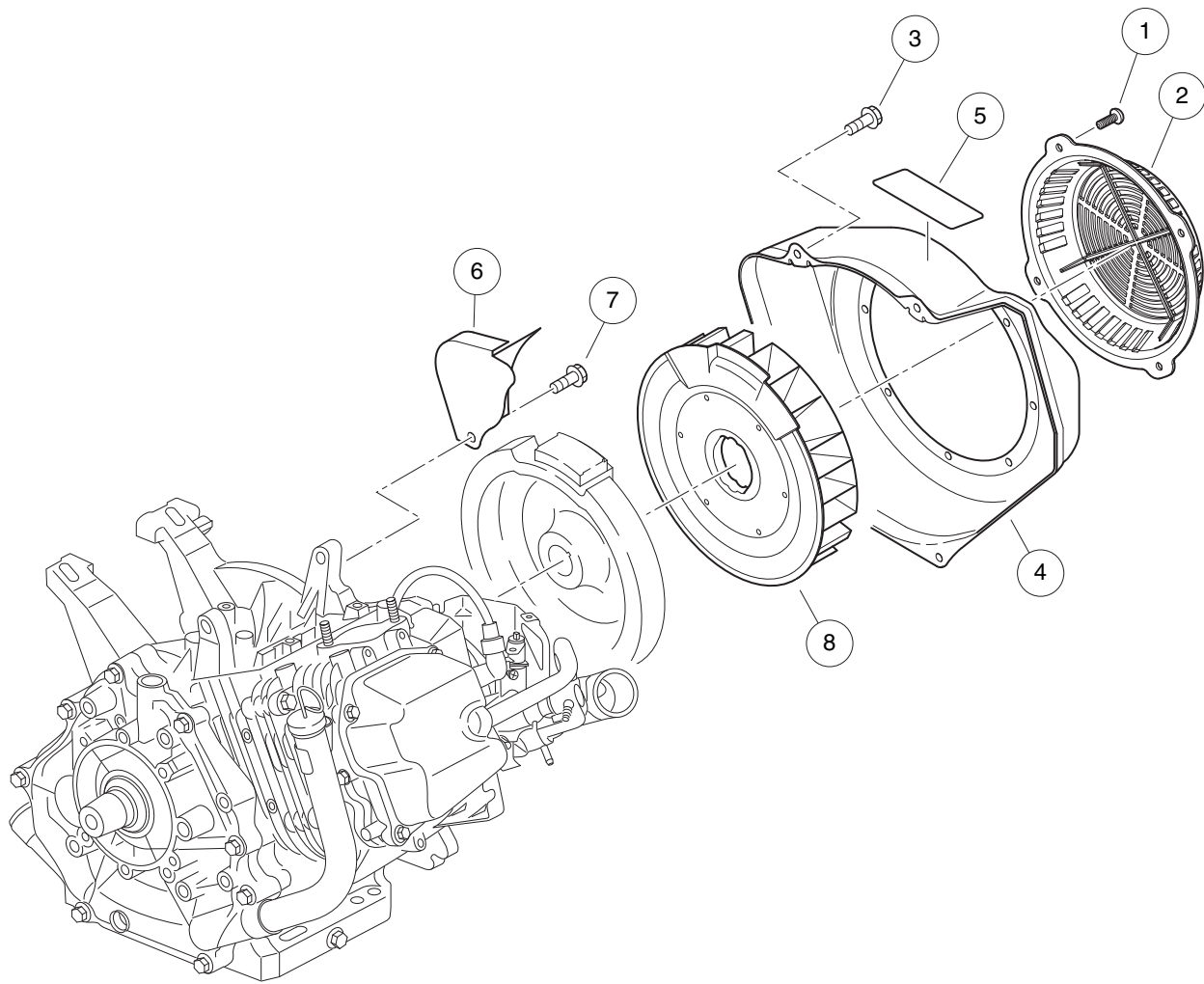


001441-001

# AUTOMATIC COMPRESSION RELEASE (ACR) SERVICE KIT – SUBARU EX40

ITEM	PART NO.	DESCRIPTION	QTY
		1 2 3 4	
1	47599382001	Kit, Acr, Subaru, Ex40 (includes items 2 through 5) .....	1
2	47540040001	Gasket, Rocker Cover, Sub .....	1
3	47600421001	Lever, Release, Acr, Ex40 .....	1
4	47600422001	Spring, Return, Acr, Ex40 .....	1
5	47600423001	Clip, Retaining, Acr, Ex40 .....	1

**8**  
**G**



001001-001



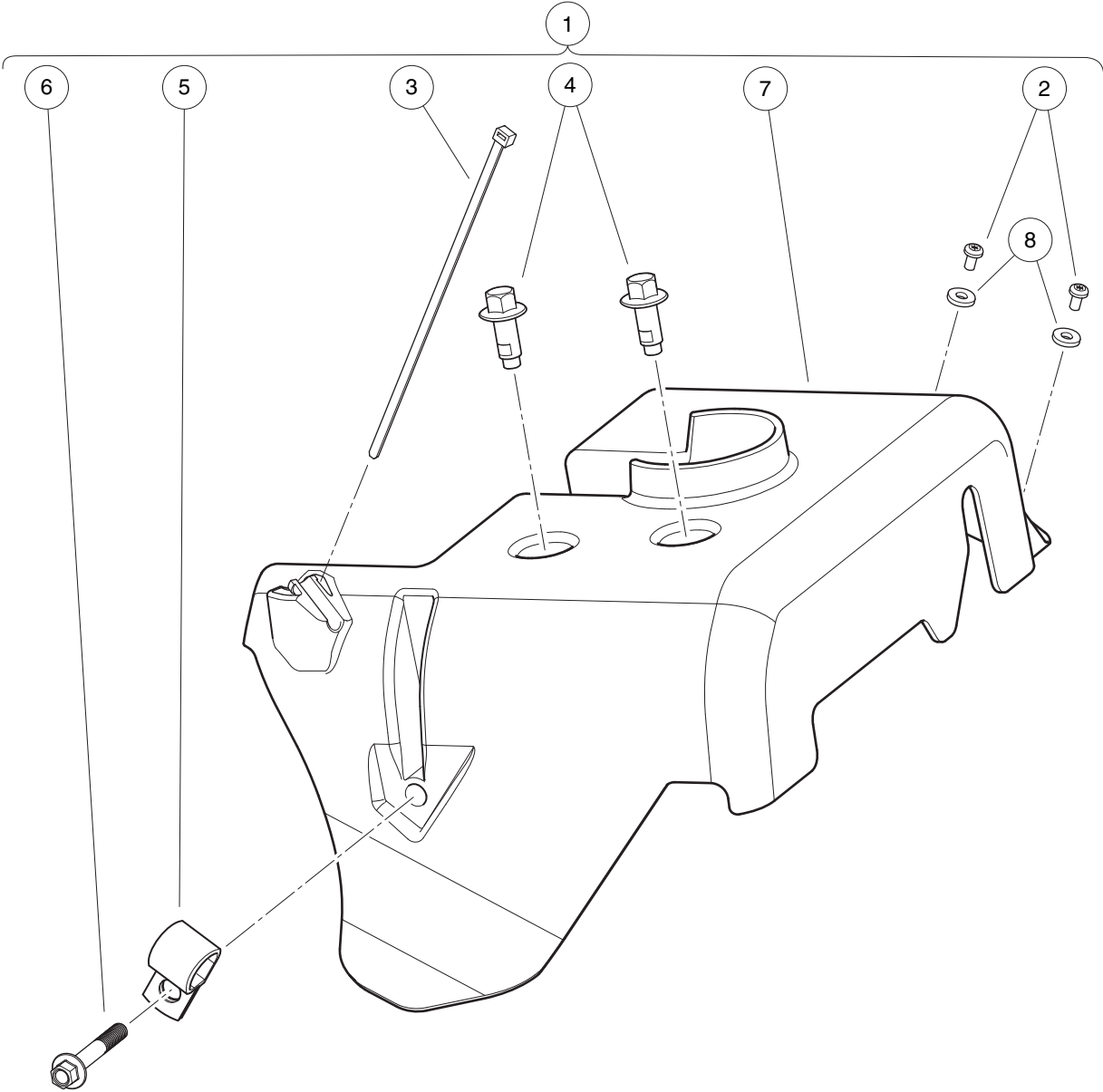
## FAN AND SHROUD – EX40

ITEM	PART NO.	DESCRIPTION	QTY
		<b>1 2 3 4</b>	
1	1015969	Screw, M6-1.00 X 10mm, Pan Hd .....	4
2	103995901	Cover, Fan, EX40 .....	1
3	105012601	Bolt, Flange, M6x1.0x12, EX40 .....	4
4	105016701	Housing, Fan, EX40 .....	1
5	105016801	Label, Engine Warning, EX40 .....	1
6	105016901	Baffle, Crankcase, EX40 .....	1
7	105017001	Bolt, Baffle, M8x1.25x12 Ex40 .....	1
8	105017101	Fan, Cooling, EX40 .....	1

**8**

**G**

8  
G



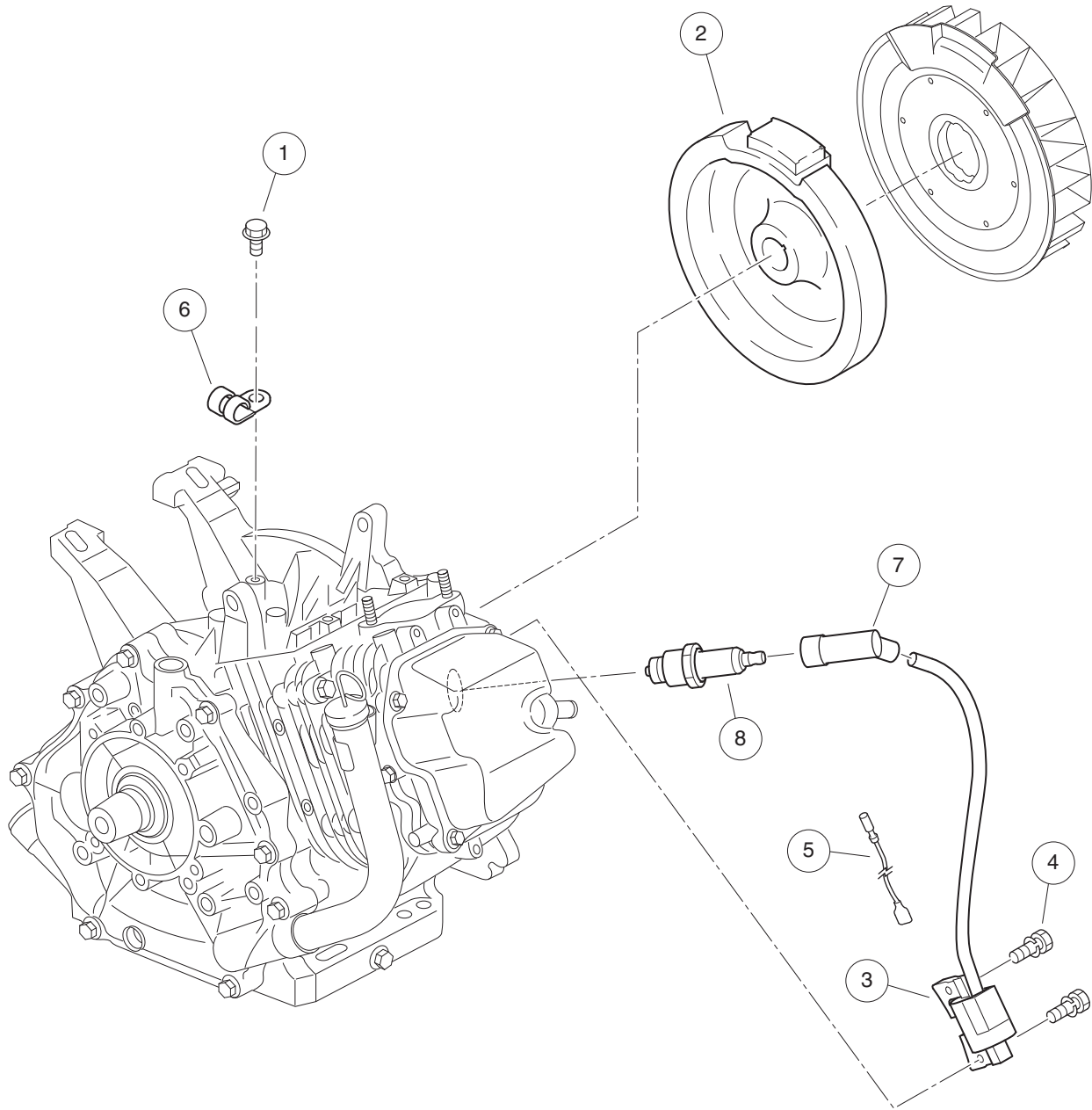
001002-001

# AIR DEFLECTOR – EX40

ITEM	PART NO.	DESCRIPTION	QTY
		<b>1 2 3 4</b>	
1	105084801	Kit, Air Deflector, Subaru EX40 (includes items 2 through 8) .....	1
2	1016103	Screw, Pan Hd Tx, Taptite 6-32 .....	2
3	101824101	Tie Wrap, Black .....	1
4	102298116	Bolt, Flanged Head, M8 X 16.0 .....	2
5	102410604	P-clamp, Insulated, 0.625 Inch .....	1
6	102541402	Bolt, M6x1.0x40, Hex Flange Head, Blk-l .....	1
7	105075301	Deflector, Air, Subaru EX40 .....	1
8	7591	Washer, #6, Flat .....	2

**8**

**G**



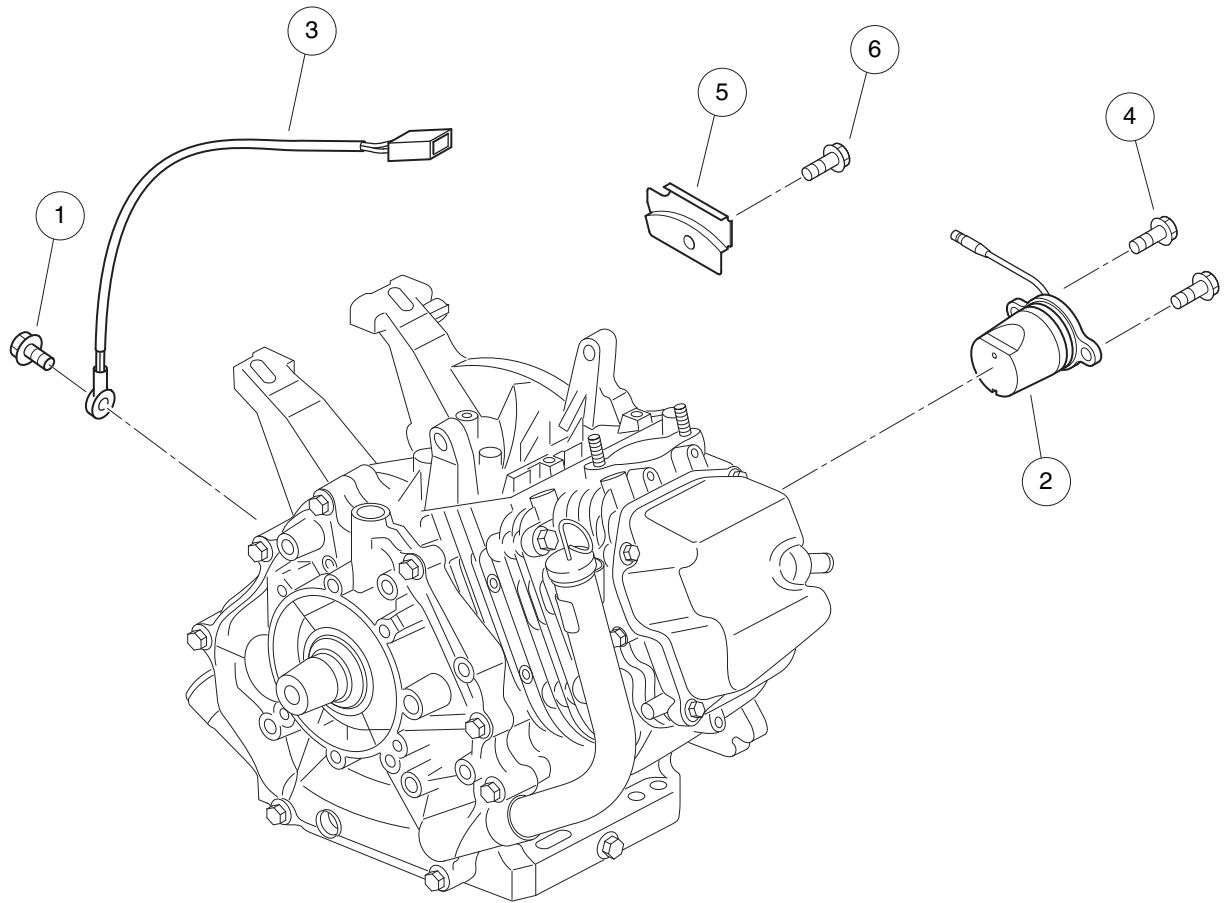
001003-002

## IGNITION COMPONENTS AND FLYWHEEL – EX40

ITEM	PART NO.	DESCRIPTION	QTY
		1 2 3 4	
1	105016001	Bolt, Flange, M6x1.0x8, EX40 .....	1
2	105017301	Flywheel, EX40 .....	1
3	105017401	Coil, Ignition, CDI, EX40 .....	1
4	105017501	Asm, Bolt-Washer, Coil, EX40 .....	2
5	105017601	Asm, Wire, Coil Control, EX40 .....	1
6	105017701	Clamp, Coil Control Wire, EX40 .....	1
7	105017901	Cap, Spark Plug, EX40 .....	1
8	47539956001	Spark Plug, Ex40, Brp4hs .....	1

**8**

**G**



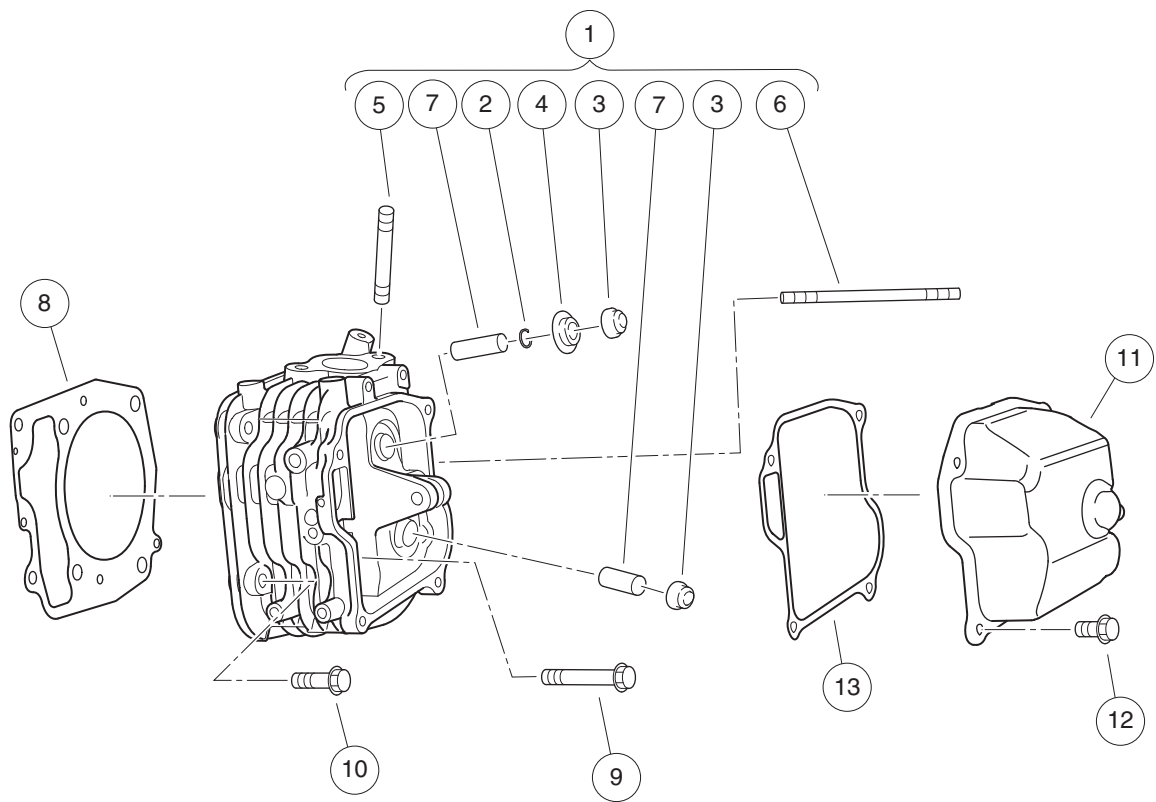
001004-001

# SENSORS – EX40

ITEM	PART NO.	DESCRIPTION	QTY
		1 2 3 4	
1	105012601	Bolt, Flange, M6x1.0x12, EX40 .....	1
2	105018001	Sensor, Oil Level, EX40 .....	1
3	105018101	Sensor, Temperature, EX40 .....	1
4	105018201	Bolt, Oil Sensor, M6x1.0x14, EX40 .....	2
5	105018301	Clamp, Oil Sensor Wire, EX40 .....	1
6	105018401	Bolt, Tap, Oil Wire Clamp, EX40 .....	1

8

G



001005-002

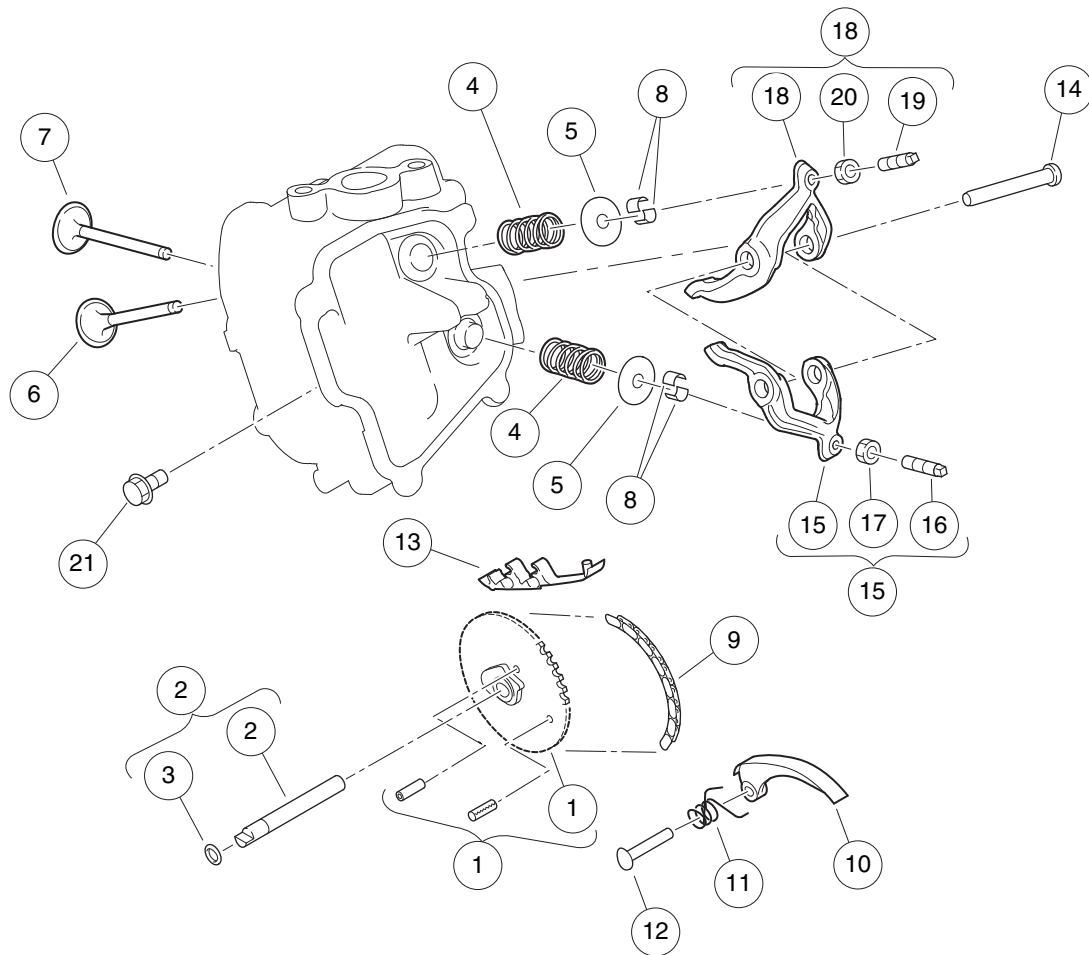


# CYLINDER HEAD – EX40

ITEM	PART NO.	DESCRIPTION	QTY
		1 2 3 4	
1	105011901	Asm, Cylinder Head, EX40 (includes items 2 through 7) .....	1
2	105010101	Clip, Retainer Plate, EX40 .....	1
3	105010201	Seal, Valve, EX40 .....	2
4	105010301	Plate, Retainer, EX40 .....	1
5	105010801	Stud, Mounting, Exhaust, EX40 .....	2
6	105010901	Stud, Mounting, Intake, EX40 .....	2
7	105018501	Guide, Valve, EX40 .....	2
8	105012001	Gasket, Head, EX40 .....	1
9	105012101	Bolt, Head, M10x1.25x75, EX40 .....	4
10	105012201	Bolt, Head, M8x1.25x35, EX40 .....	2
11	105012301	Cover, Rocker, EX40 .....	1
12	105012601	Bolt, Flange, M6x1.0x12, EX40 .....	4
13	47540040001	Gasket, Rocker Cover, Sub .....	1

8

G

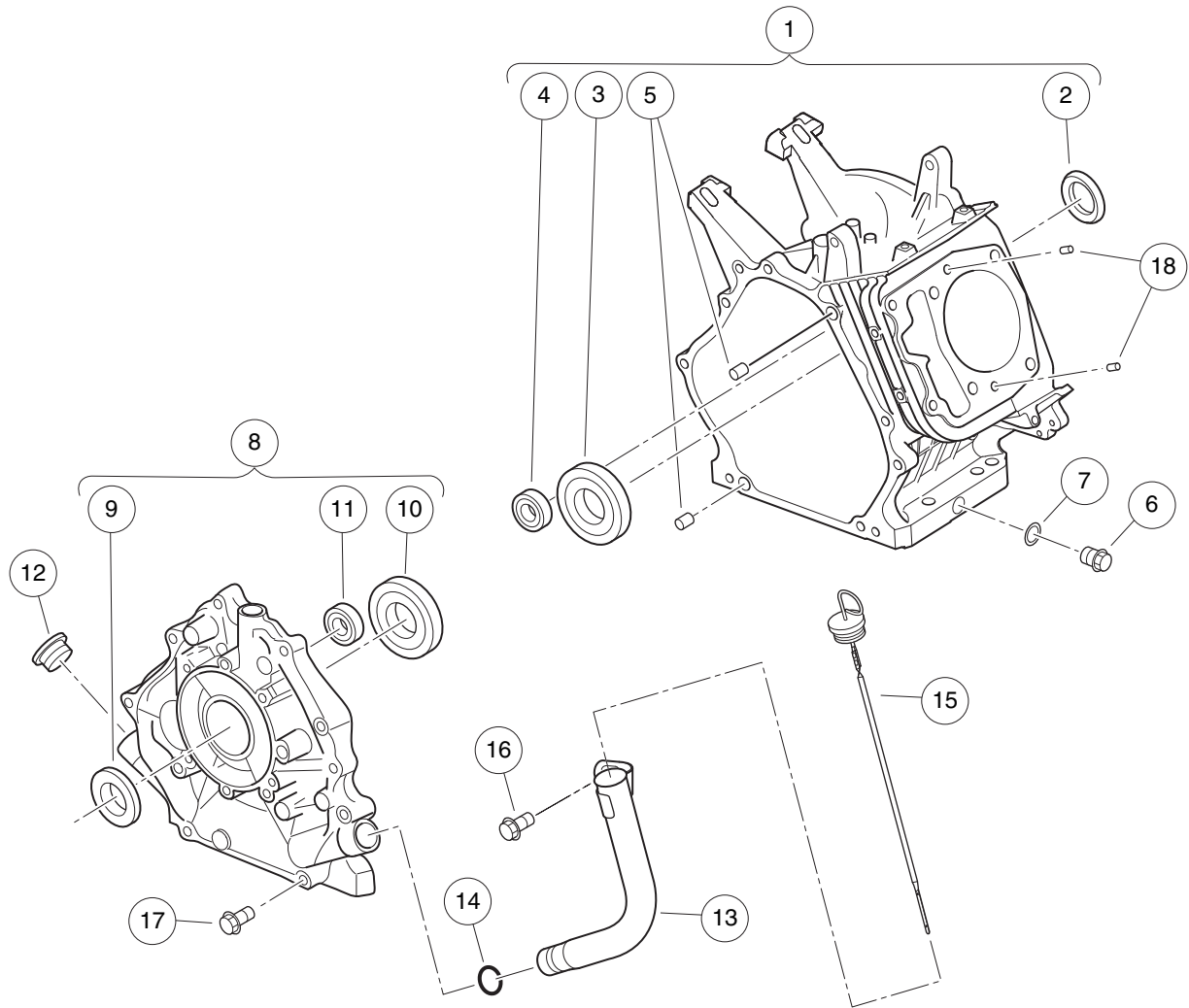


001006-001

## VALVETRAIN AND TIMING CHAIN – EX40

ITEM	PART NO.	DESCRIPTION	QTY
		1 2 3 4	
1	105014201	Asm, Cam/Chain Sprocket, EX40 .....	1
2	105014301	Asm, Camshaft and O-ring, EX40 (includes item 3) .....	1
3	105014401	O-ring, Camshaft, EX40 .....	1
4	105014501	Spring, Valve, EX40 .....	2
5	105014601	Retainer, Spring, EX40 .....	2
6	105014701	Valve, Intake, EX40 .....	1
7	105014801	Valve, Exhaust, EX40 .....	1
8	105014901	Collet, Valve, EX40 .....	4
9	105015001	Chain, Timing, EX40 .....	1
10	105015101	Tensioner, Chain, EX40 .....	1
11	105015201	Spring, Tension, EX40 .....	1
12	105015301	Pin, Tensioner, EX40 .....	1
13	105015401	Guide, Chain, EX40 .....	1
14	105015501	Shaft, Rocker, EX40 .....	1
15	105015601	Asm, Rocker Arm, Intake, EX40 (includes items 16 and 17) .....	1
16	105015801	Screw, Adjust, Valve, EX40 .....	1
17	105015901	Nut, Adjust, Valve, EX40 .....	1
18	105015701	Asm, Rocker Arm, Exhaust, EX40 (includes items 19 and 20) .....	1
19	105015801	Screw, Adjust, Valve, EX40 .....	1
20	105015901	Nut, Adjust, Valve, EX40 .....	1
21	105016001	Bolt, Flange, M6x1.0x8, EX40 .....	1

**8**  
**G**



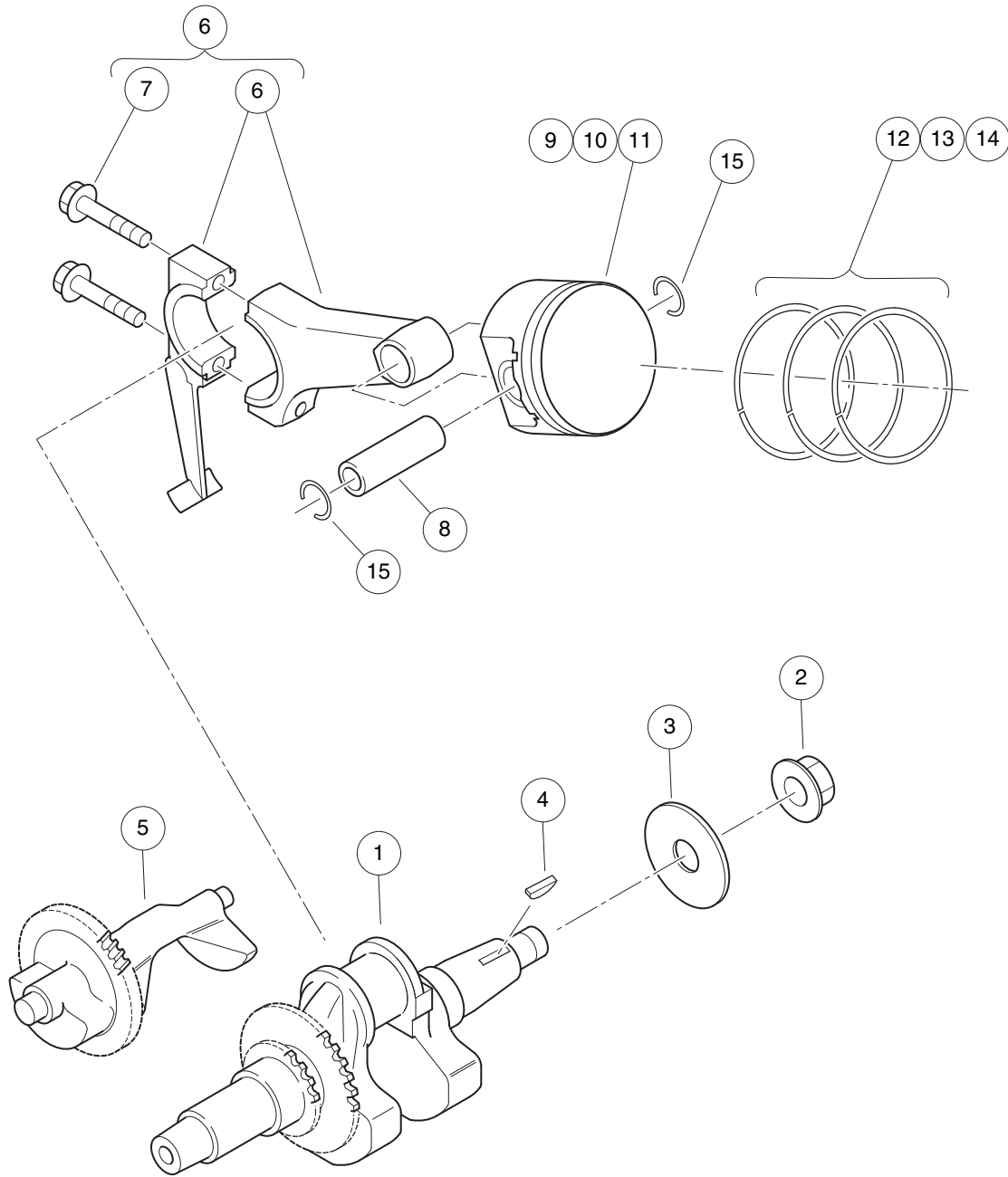
001007-001

# CRANKCASE – EX40

ITEM	PART NO.	DESCRIPTION	QTY
		1 2 3 4	
1	105010001	Crankcase, EX40 (includes items 2 through 5) .....	1
2	105010401	Seal, Oil, Crankshaft, EX40 .....	1
3	105010501	Bearing, Crankshaft, EX40 .....	1
4	105010601	Bearing, Balance Shaft, EX40 .....	1
5	105010701	Pin, Guide, Crankcase, EX40 .....	2
6	105011001	Plug, Oil Drain, EX40 .....	2
7	105011101	Gasket, Oil Drain Plug, EX40 .....	2
8	105011201	Asm, Cover, Crankcase, EX40 (includes items 9 through 11) .....	1
9	105010401	Seal, Oil, Crankshaft, EX40 .....	1
10	105010501	Bearing, Crankshaft, EX40 .....	1
11	105010601	Bearing, Balance Shaft, EX40 .....	1
12	105011301	Plug, Rubber, Crankcase, EX40 .....	1
13	105011401	Tube, Oil Filler, EX40 .....	1
14	105011501	O-ring, Oil Filler Tube, EX40 .....	1
15	105011601	Dipstick, EX40 .....	1
16	105011701	Bolt, Filler Tube, M8x1.25x12, EX40 .....	1
17	105011801	Bolt, Case Cover, M8x1.25x38, EX40 .....	8
18	105012501	Pin, Guide, Head, EX40 .....	2

**8**

**G**



001008-001

## CRANKSHAFT AND PISTON – EX40

ITEM	PART NO.	DESCRIPTION	QTY
		1 2 3 4	
1	105012701	Crankshaft, EX40 .....	1
2	105012801	Nut, Crankshaft M18x1.5 Ex40 .....	1
3	105012901	Washer, Crankshaft Ex40 .....	1
4	105013001	Key, Woodruff, Crankshaft, EX40 .....	1
5	105013101	Shaft, Balance, EX40 .....	1
6	105013201	Asm, Rod, Connecting, EX40 (includes item 7) .....	1
7	105013301	Bolt, Rod M8x1.25x40 Ex40 .....	2
8	105013401	Pin, Piston, EX40 .....	1
9	105013501	Piston, Standard, EX40 .....	1
10	105013601	Piston, 0.25 mm Oversize, EX40 .....	1
11	105013701	Piston, 0.50 mm Oversize, EX40 .....	1
12	105013801	Set, Piston Ring, Standard, EX40 .....	1
13	105013901	Set, Piston Ring, 0.25 mm Oversize, EX40 .....	1
14	105014001	Set, Piston Ring, 0.50 mm Oversize, EX40 .....	1
15	105014101	Clip, Piston Pin, EX40 .....	2

**8**

**G**

8

G

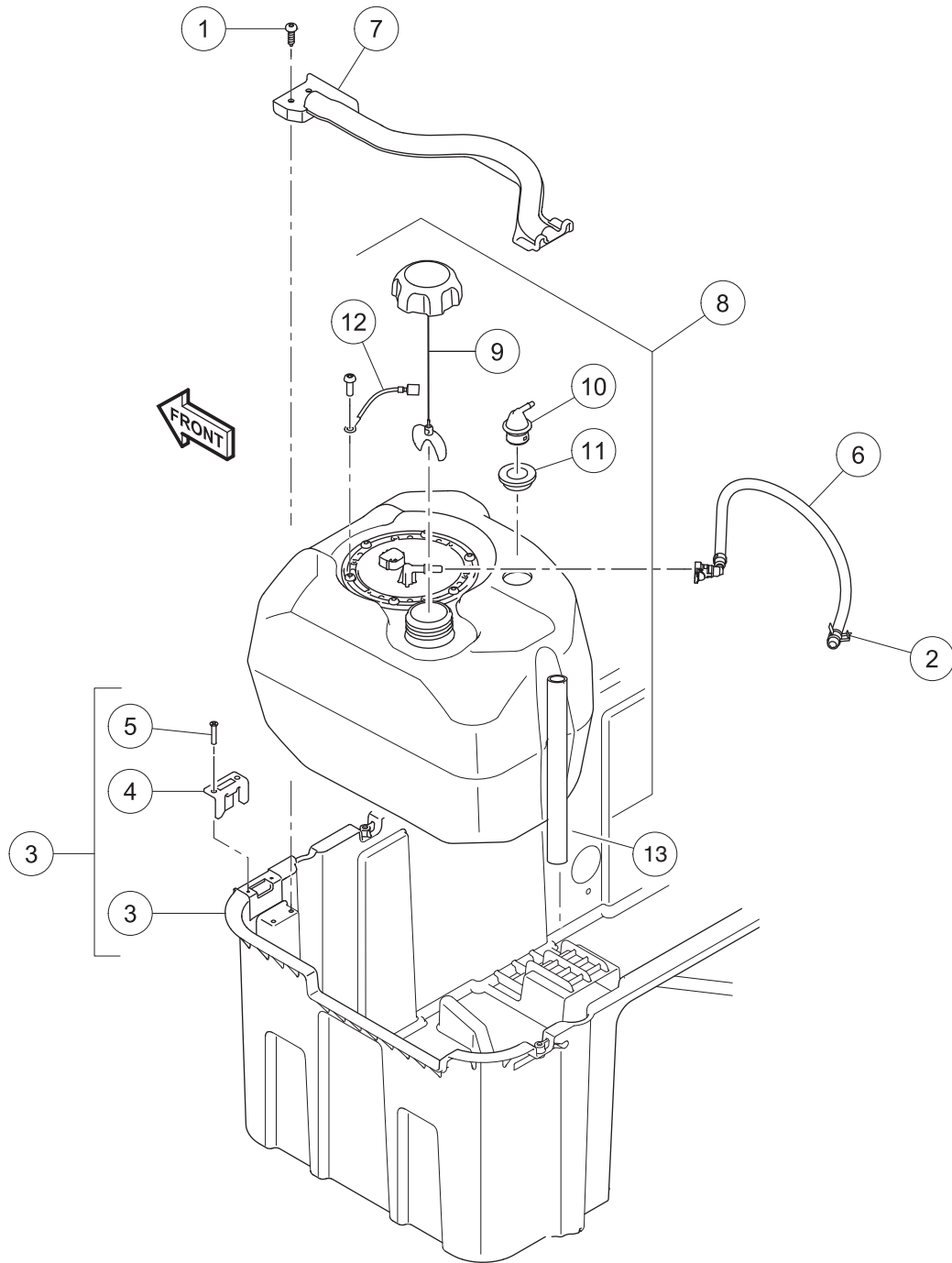


# FUEL SYSTEM, EFI – SUBARU EX40

---

9

G



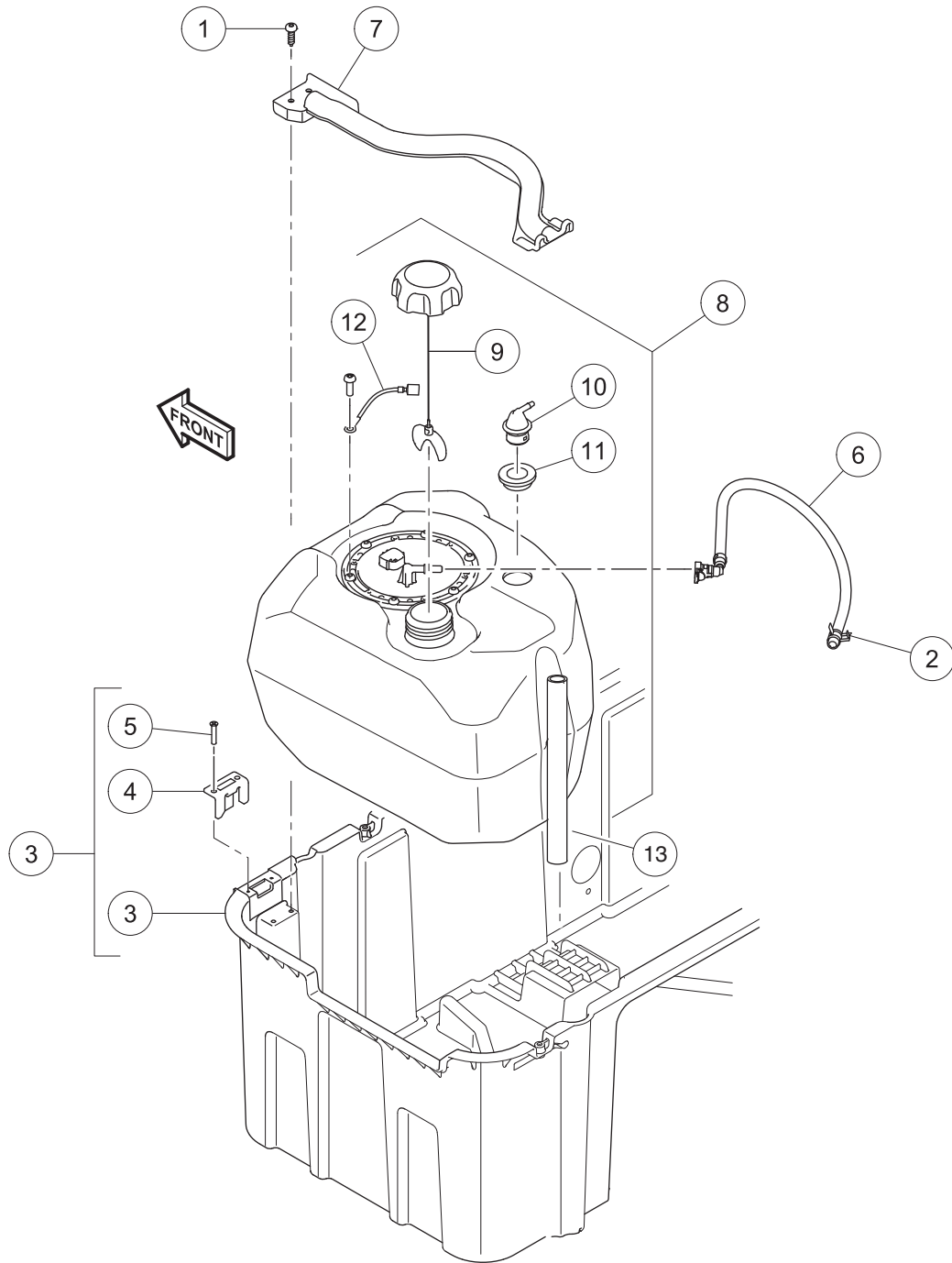
000974-003

## FUEL SYSTEM W/O SENDING UNIT – EFI

ITEM	PART NO.	DESCRIPTION	QTY
		1 2 3 4	
1	102296020	Screw, Torx Pan Hd Pt, M6 X 20 .....	2
2	102411203	Clamp, Hose, Ctb 14mm Dia. ....	1
3	102514702	Bucket, Gas, with EFI (includes items 4 and 5) .....	1
4	103470701	Bracket, Bucket Hinge .....	1
5	N/A	Screw, #6 X .75, Cs Ss, Hi-lo .....	2
6	105043601	Asm, Fuel Line .....	1
7	105072201	Retainer, Tank .....	1
8	105215502	Asm, Tank, Fuel, w/o Sending Unit (includes items 9 through 12) .....	1
9	103372101	Cap, Fuel Tank, Gas, Ratchet .....	1
10	103905201	Assembly, Vent, Fuel, 1/4 Inch O.D. ....	1
11	103944301	Grommet, Fuel Tank, Vent .....	1
12	105143301	Wire, Ground, Fuel Tank .....	1
13	47546044001	Tube, Retention .....	1

9

G



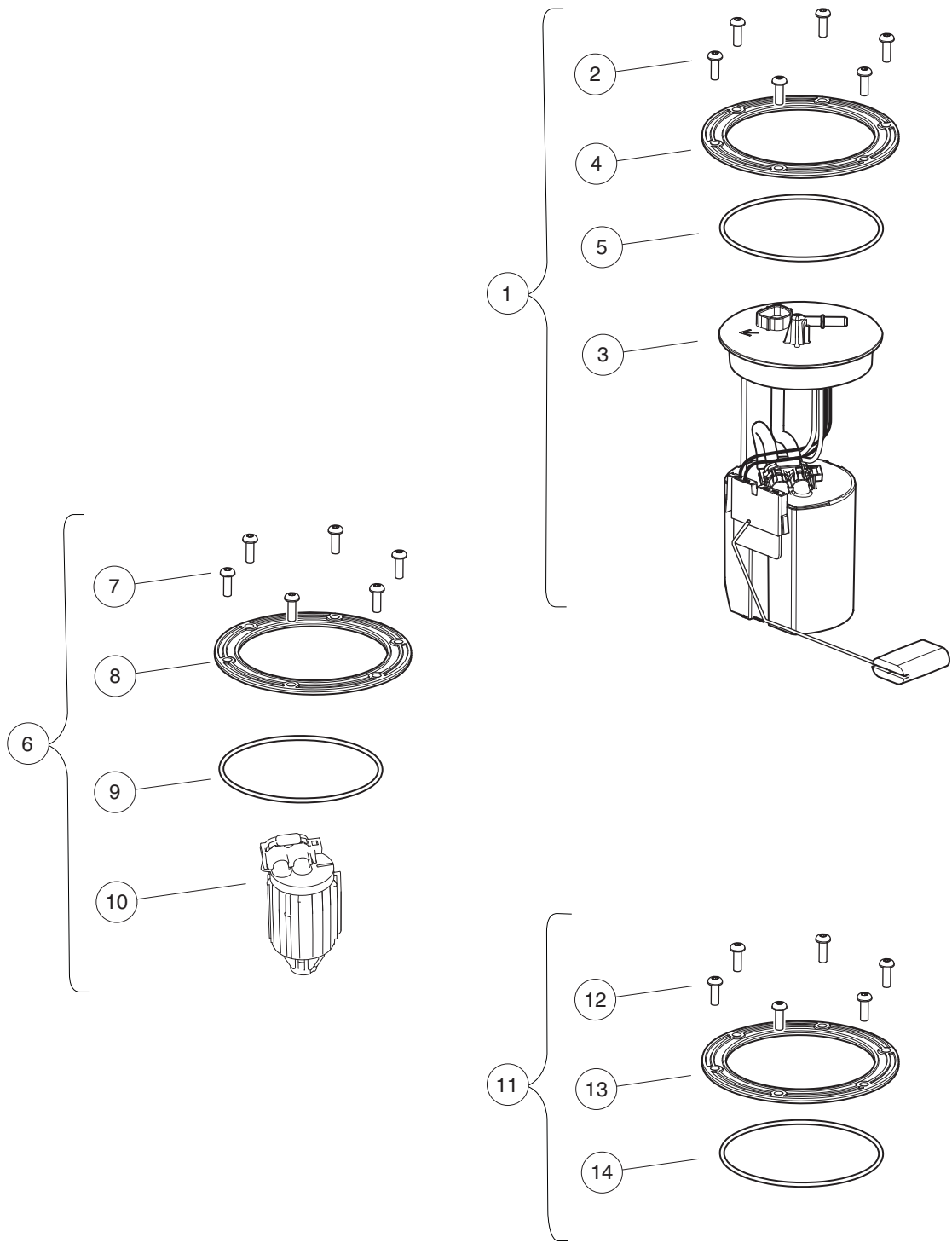
000974-003

## FUEL SYSTEM WITH SENDING UNIT – EFI

ITEM	PART NO.	DESCRIPTION	QTY
		<b>1 2 3 4</b>	
1	102296020	Screw, Torx Pan Hd Pt, M6 X 20 .....	2
2	102411203	Clamp, Hose, Ctb 14mm Dia. ....	1
3	102514702	Bucket, Gas, with EFI (includes items 4 and 5) .....	1
4	103470701	Bracket, Bucket Hinge .....	1
5	N/A	Screw, #6 X .75, Cs Ss, Hi-lo .....	2
6	105043601	Asm, Fuel Line .....	1
7	105072201	Retainer, Tank .....	1
8	105215501	Asm, Tank, Fuel, w/Sending Unit (includes items 9 through 12) .....	1
9	103372101	Cap, Fuel Tank, Gas, Ratchet .....	1
10	103905201	Assembly, Vent, Fuel, 1/4 Inch O.D. ....	1
11	103944301	Grommet, Fuel Tank, Vent .....	1
12	105143301	Wire, Ground, Fuel Tank .....	1
13	47546044001	Tube, Retention .....	1

**9**

**G**



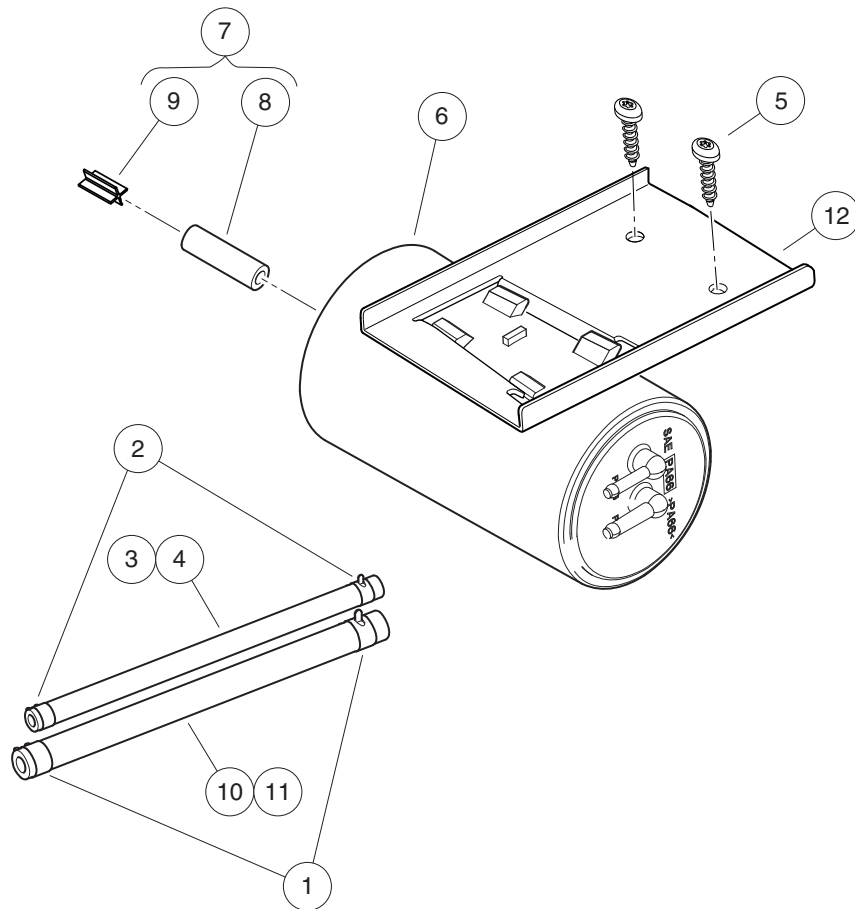
000977-005

## FUEL TANK KITS – EFI

ITEM	PART NO.	DESCRIPTION	QTY
		1 2 3 4	
1	105282901	Kit, Fuel Pump Module (includes items 2 through 5) .....	1
2	102025801	Screw, 1/4-20 X .75 Torx Pn Hd .....	6
3	105043401	Fuel Pump Module, with Sending Unit .....	1
4	105043801	Fuel Module, Hold Down Ring .....	1
5	105043901	O-Ring, Fuel Module .....	1
6	105282902	Kit, Fuel Filter (includes items 7 through 10) .....	1
7	102025801	Screw, 1/4-20 X .75 Torx Pn Hd .....	6
8	105043801	Fuel Module, Hold Down Ring .....	1
9	105043901	O-Ring, Fuel Module .....	1
10	105073001	Fuel Filter, EX40, EFI .....	1
11	105282903	Kit, O-ring (includes items 12 through 14) .....	1
12	102025801	Screw, 1/4-20 X .75 Torx Pn Hd .....	6
13	105043801	Fuel Module, Hold Down Ring .....	1
14	105043901	O-Ring, Fuel Module .....	1

9

G



000980-013

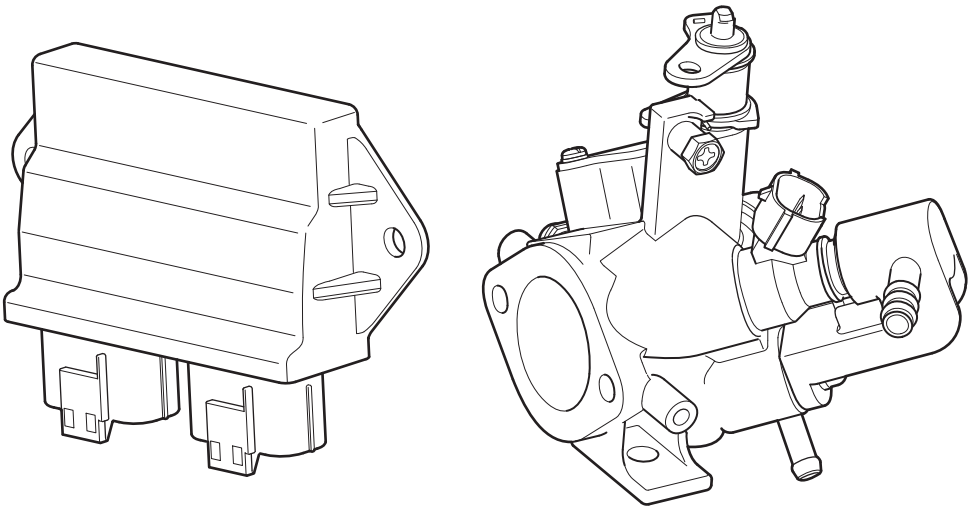


## CARBON CANISTER – EFI

ITEM	PART NO.	DESCRIPTION	QTY
		1 2 3 4	
1	1012649	Clamp, 0.460 Red Hose .....	2
2	1013746	Clamp, 0.301 ID Hose .....	2
3	101587704	Hose, Fuel, Vent, 3/16" ID, 17" Long (includes item 4) .....	1
4	1015137	Fuel Line, 3/16 (available by the foot) .....	A/R
5	102297230	Screw, M6, Torx, Interlock Thread .....	2
6	103372401	Canister, Carbon .....	1
7	103756401	Asm, Vent Line, Carbon Canister (includes items 8 and 9) .....	1
8	N/A	Hose, Vent, 5/16 I.D., Bulk .....	1
9	N/A	Vent, Barb, 5/16 I.D. Hose .....	1
10	103896606	Hose, Vent, 1/4 Id, 6.75 In (includes item 11) .....	1
11	47560464001	Hose, Fuel 1/4saej1737 Bulk .....	A/R
12	105284801	Brkt, Carbon Canister, Gen .....	1

9  
G

1

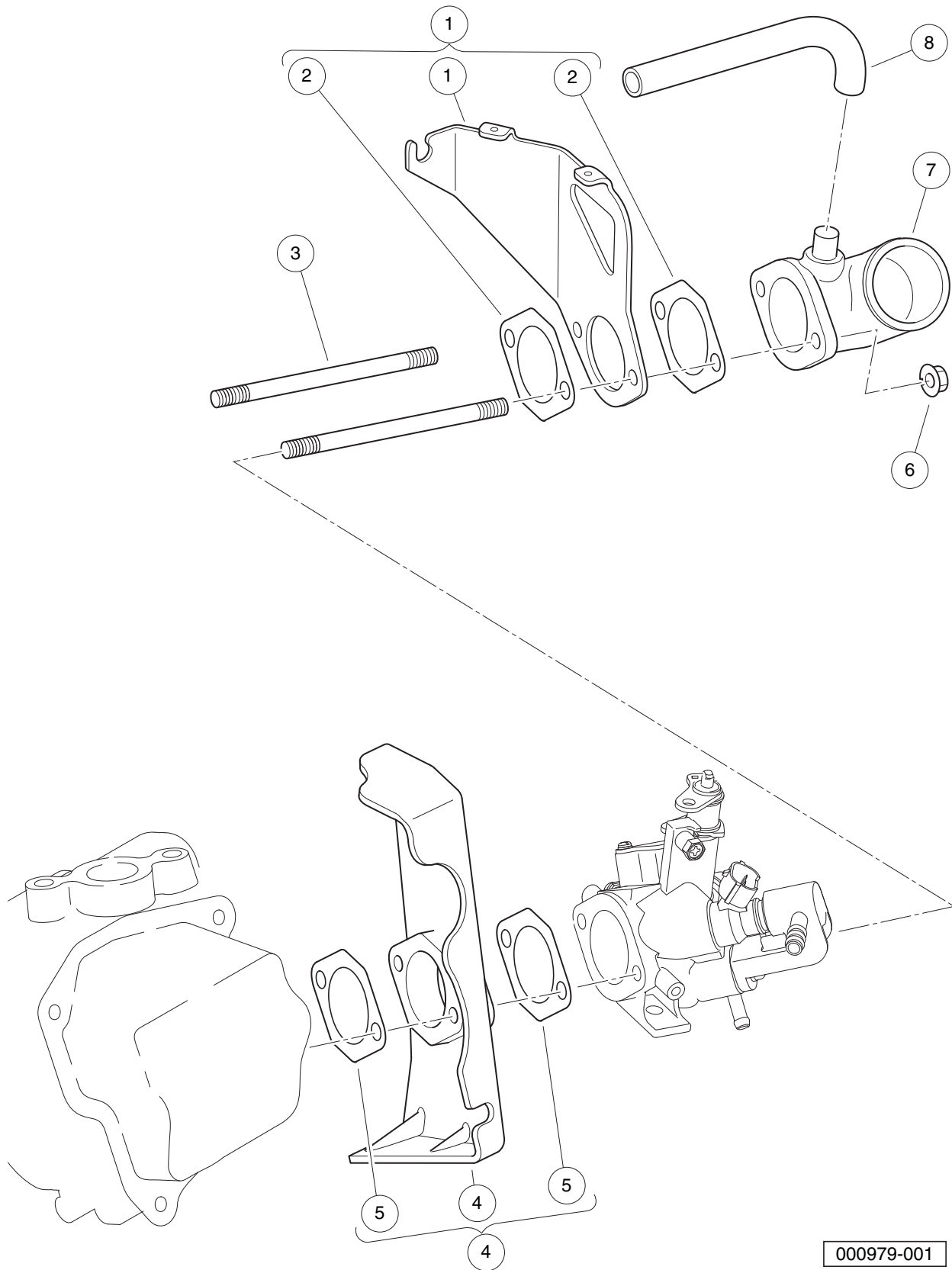


000964-001

# THROTTLE BODY AND ECU – EFI

ITEM	PART NO.	DESCRIPTION	QTY
1	105017201	1 2 3 4 Asm, Throttle Body/Fuel Injector with ECU, EX40 .....	1

**9**  
**G**



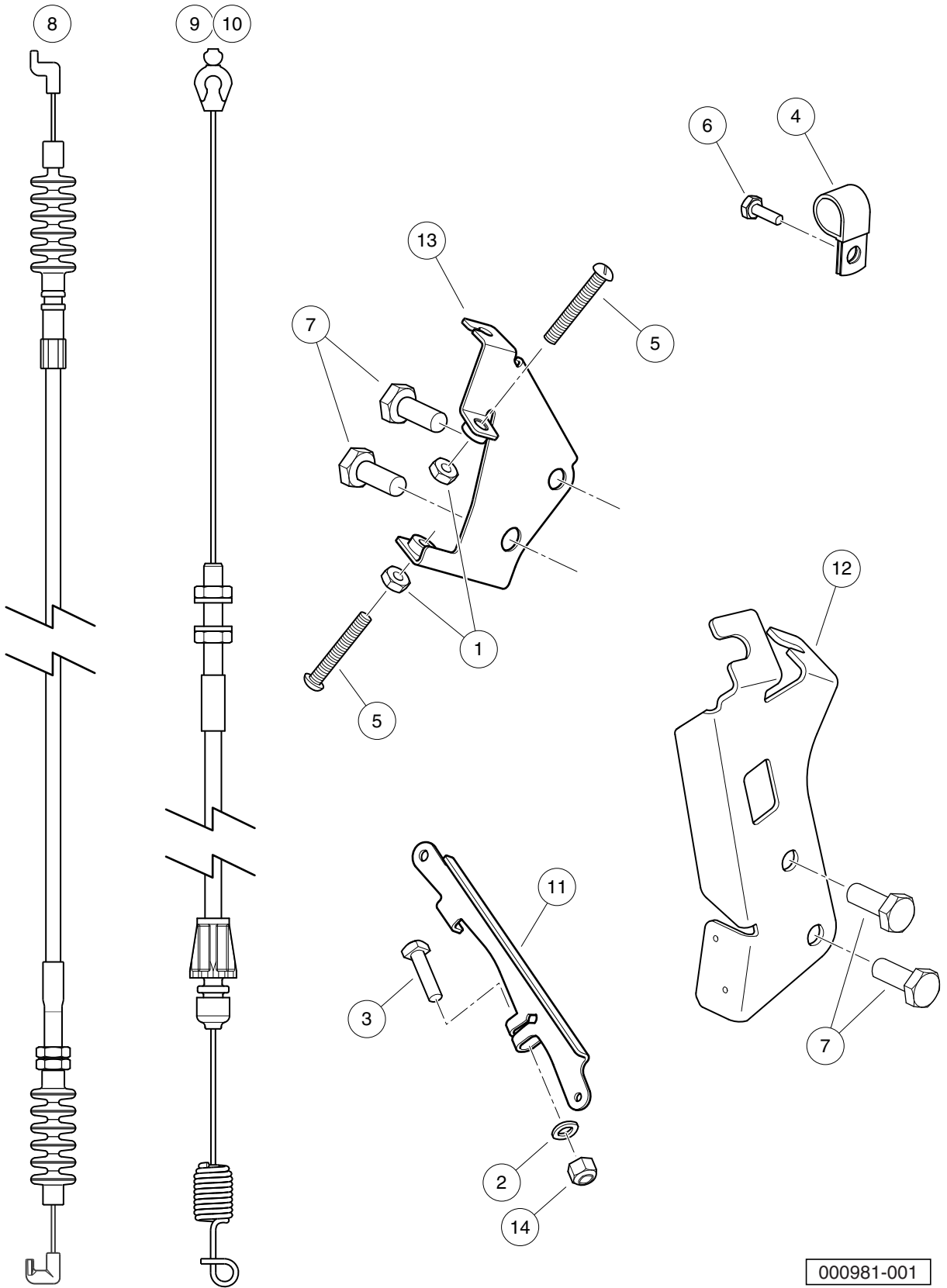
000979-001

# THROTTLE BODY MOUNTING – EFI

ITEM	PART NO.	DESCRIPTION	QTY
		<b>1 2 3 4</b>	
1	103983501	Bracket, Operation, EX40 (includes item 2) .....	1
2	105016201	Gasket, Insulator, EX40 .....	2
3	105010901	Stud, Mounting, Intake, EX40 .....	2
4	105016101	Insulator, EX40 (includes item 5) .....	1
5	105016201	Gasket, Insulator, EX40 .....	2
6	105016301	Nut, Intake Adapter, M6x1.0, EX40 .....	2
7	105016401	Adapter, Air Intake, EX40 .....	1
8	105016501	Hose, Breather, EX40 .....	1

**9**

**G**



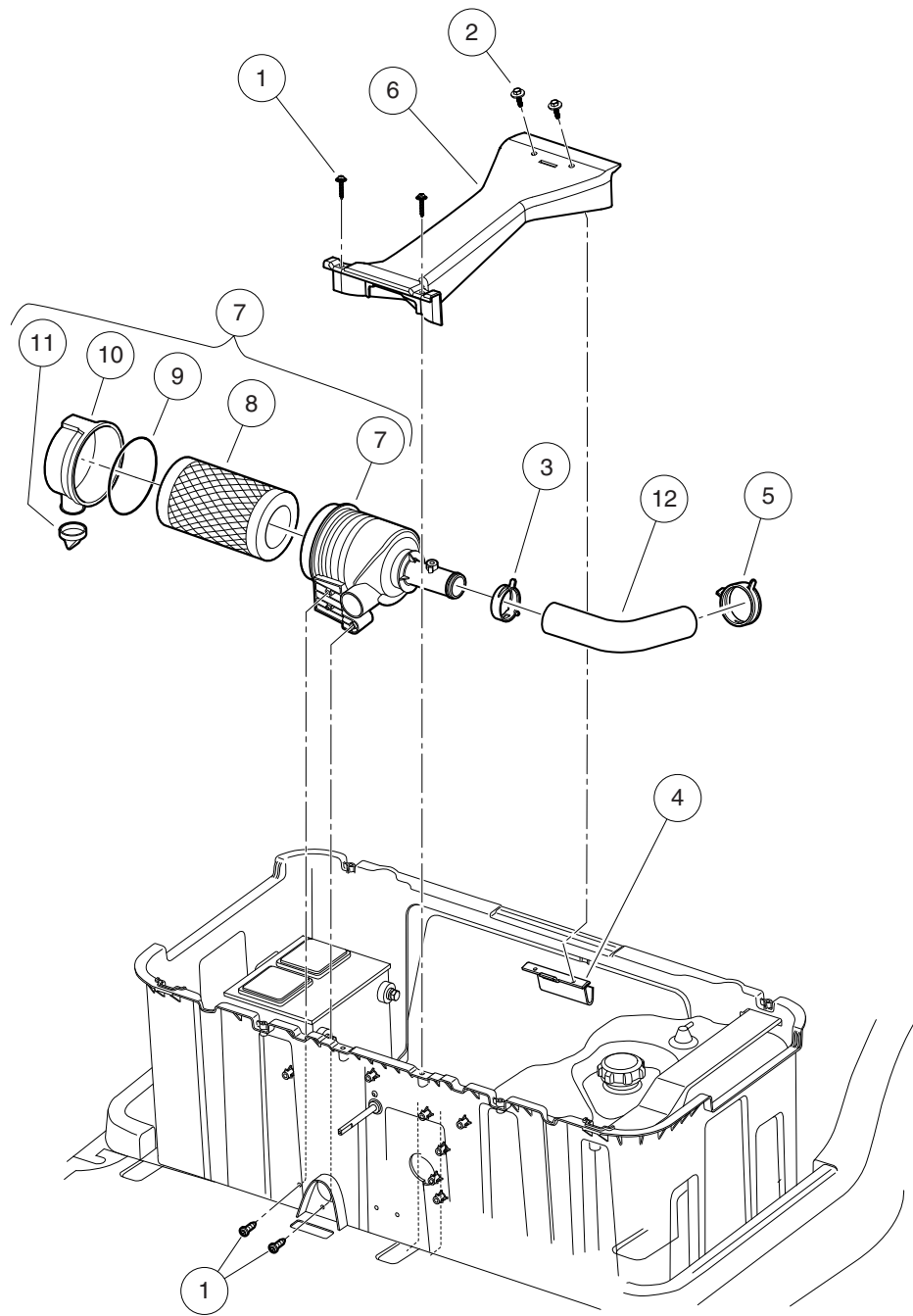
000981-001

## GOVERNOR AND ACCELERATOR CABLES – EFI

ITEM	PART NO.	DESCRIPTION	QTY
		1 2 3 4	
1	1011114	Nut, M6-1.00 Hex .....	2
2	1014007	Washer, 1/4, Flat .....	1
3	101886101	Screw, 1/4-20 X 1.00, Square-Head .....	1
4	102410604	P-clamp, Insulated, 0.625 Inch .....	1
5	102476401	Bolt, Stop, Pedal .....	2
6	102490301	Bolt, M6 X 1 X 16, Loctite .....	1
7	102498201	Bolt, M10 X 1.25 X 25, Loctite .....	4
8	103978001	Cable, Governor, EX40 .....	1
9	103982001	Cable, Accelerator, Std Speed .....	1
10	103982002	Cable, Accelerator, High Speed .....	1
11	104023501	Arm, Governor, ED65 .....	1
12	105135101	Bracket, Cable, FNR/Accelerator, ED65 .....	1
13	105144401	Weldment, Governor Bracket .....	1
14	8233	Locknut, 1/4-20, Nylon Insert .....	1
Note: Item 10 is only used with the Private Speed option.			

9

G



000484-003



## AIR FILTER SYSTEM AND INTAKE HOSE – EFI

ITEM	PART NO.	DESCRIPTION	QTY
		1 2 3 4	
1	102296020	Screw, Torx Pan Hd Pt, M6 X 20 .....	4
2	102297125	Screw, M6-1.0x25.4, Thread-Forming, SEMS .....	2
3	102411209	Clamp, Hose, Ctb 55mm Dia. ....	1
4	102521401	Support, Gas Bucket Brace .....	1
5	102558301	Clamp, Air Intake .....	1
6	103795001	Brace, Gas Fuel Bucket .....	1
7	105009001	Air Cleaner, with EFI (includes items 8 through 11) .....	1
8	102558201	Air Filter, 4 Inch .....	1
9	102558501	Gasket, Air Intake .....	1
10	102558601	Asm, Cover, Air Intake .....	1
11	102558701	Evac Valve, Air Intake .....	1
12	105009201	Hose, Air Intake, with EFI .....	1

9

G

9

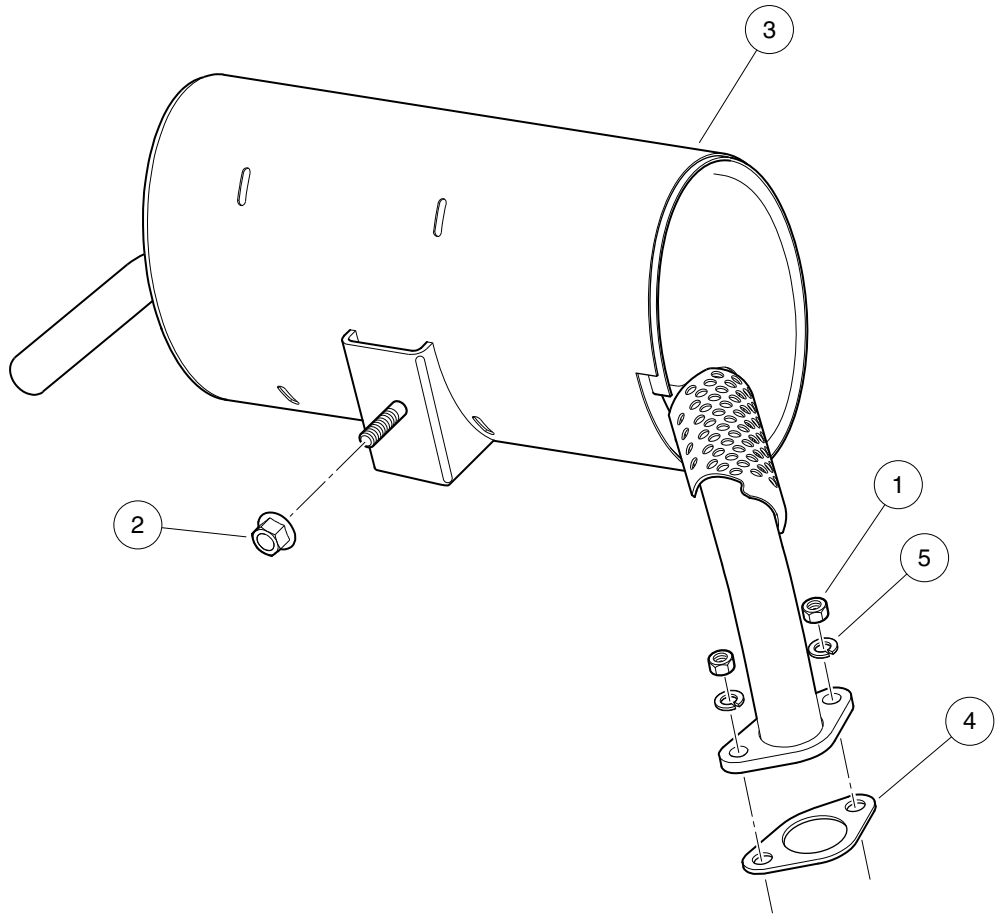
G

# EXHAUST SYSTEM, GOLF – SUBARU EX40

---

10

G



000948-004

## EXHAUST SYSTEM, GOLF – SUBARU EX40

ITEM	PART NO.	DESCRIPTION	QTY
		1 2 3 4	
1	1012528	Nut, M8-1.25 Hex .....	2
2	102617201	Nut, Flanged, M10 X 1.5, Mechanically Deformed .....	1
3	105076201	Exhaust System, EX40 .....	1
4	47539957001	Gasket, Exhaust, Ex40, Graphite .....	1
5	7174	Lockwasher, 5/16 Split .....	2

10

G

**10**

**G**

# DRIVE BELT AND CLUTCHES – SUBARU EX40

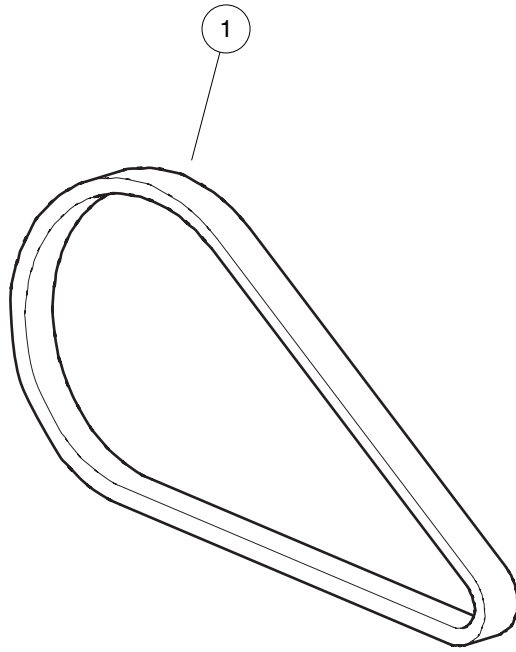
---

11

G

11

G



000918-001

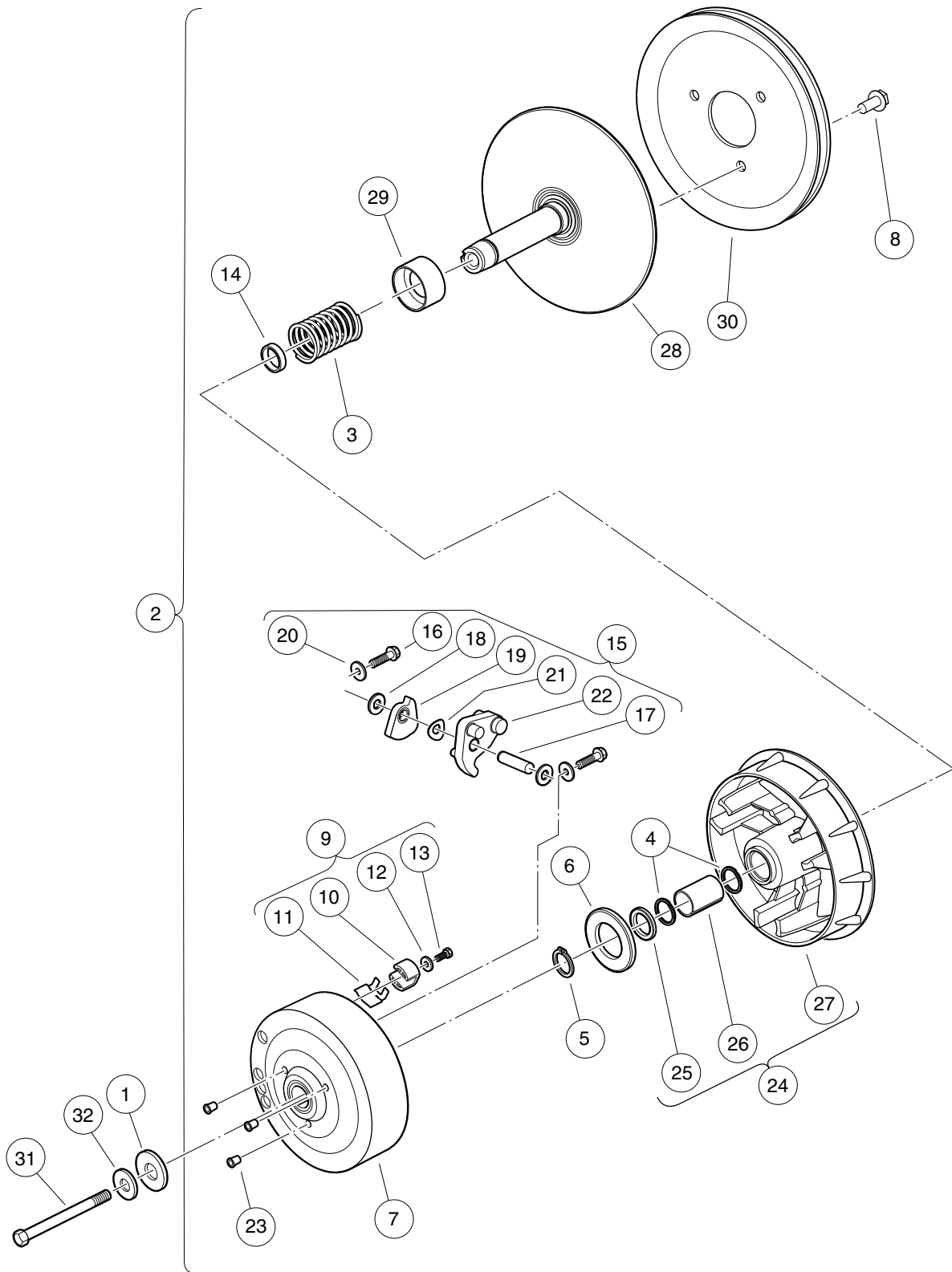


## DRIVE BELT – PEDAL-START VEHICLES WITH EFI

ITEM	PART NO.	DESCRIPTION	QTY
1	105245801	1 2 3 4 Belt, Drive, Pedal-Start .....	1

11

G



000958-001

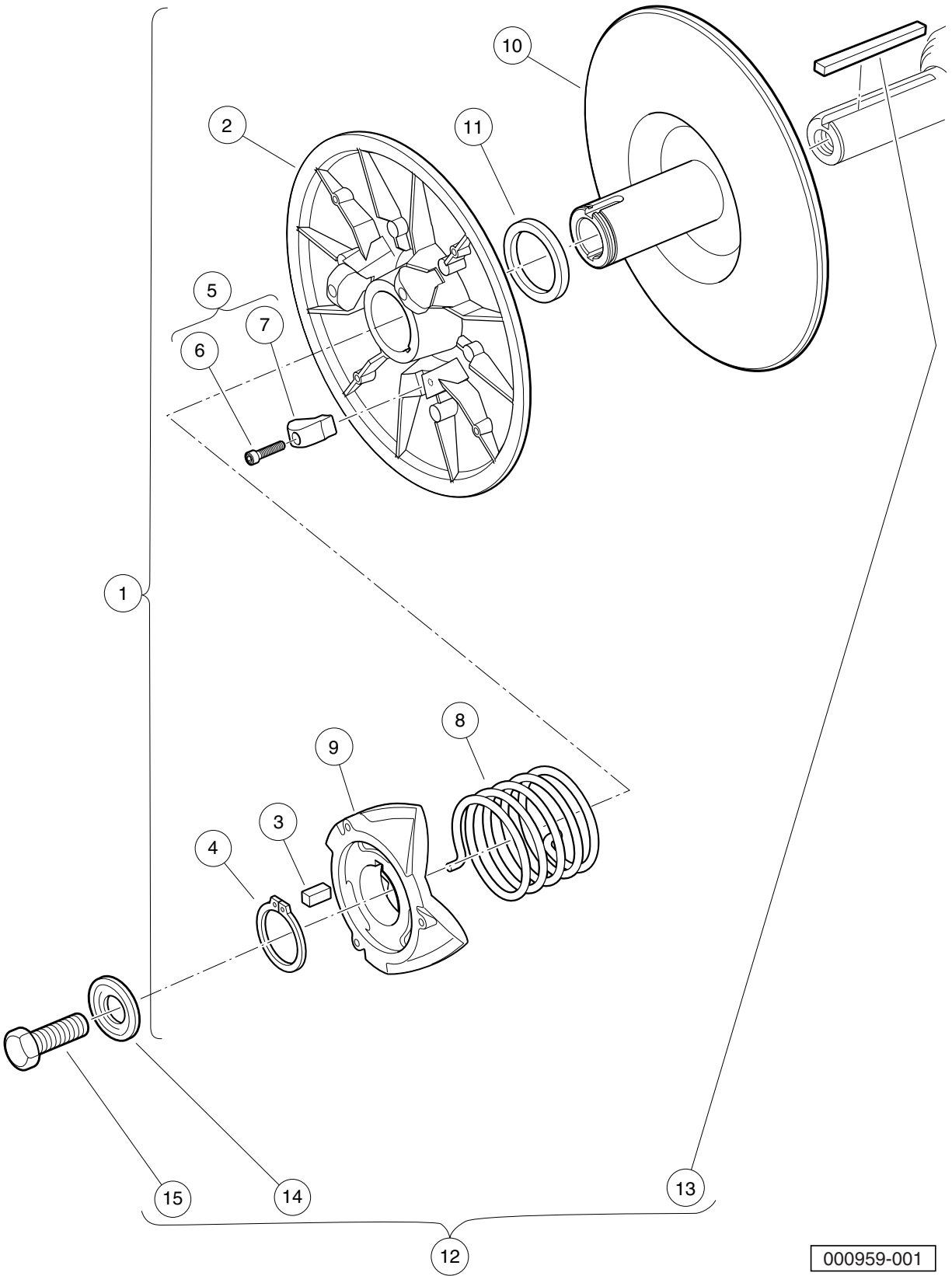
# DRIVE CLUTCH – PEDAL-START VEHICLES WITH EFI

ITEM	PART NO.	DESCRIPTION	QTY
		1 2 3 4	
1	102491501	Washer, Hard, M10 .....	1
2	103973901	Clutch, Drive, Pedal-Start (includes items 3 through 30) .....	1
3	1014051	Spring, Drive Clutch .....	1
4	1014056	Ring, Spiral Backup .....	2
5	1014057	Ring, 0.810" Internal Retaining .....	1
6	1014058	Thrust Washer .....	1
7	1014059	Drive Hub Assy, Drive Clutch .....	1
8	1014288	Screw, 5/16-18 X 0.75, Thread-Forming .....	3
9	1014453	Kit, Drive Clutch Button (includes items 10 through 13) .....	1
10	1014062	Driver, Drive Clutch .....	3
11	1014287	Spring, Drive Button .....	3
12	183	Washer, #10, Type A, Flat .....	3
13	8450	Screw, #10-24 X 0.50, Hex-Head .....	3
14	1016289	Spacer, Fixed Face Shaft .....	1
15	1016801	Kit, Drive Clutch Weight (includes items 16 through 22) .....	1
16	1014063	Screw, 1/4-20 X 1.00, Hex Head .....	6
17	N/A	Pin, Dowel, 0.3752 x 1.50 .....	3
18	1014065	Washer, Flat, 0.38" ID, Delrin .....	6
19	N/A	Clutch Weight, Secondary .....	3
20	N/A	Washer .....	6
21	1016201	Washer, Wave .....	3
22	N/A	Weight, Primary .....	3
23	N/A	Cap Plug .....	3
24	103974201	Asm, Sheave, Moveable, Drive, Wr (includes items 25 through 27) .....	1
25	1014055	Retainer .....	1
26	N/A	Bushing, Split, Drive Clutch .....	1
27	N/A	Sheave, Moveable, Drive, Wr .....	1
28	103974401	Sheave, Fixed, Drive, Wr .....	1
29	103984601	Spacer, Idler, Drive .....	1
30	105096101	Pulley, 7.3 Inch Effective Dia .....	1
31	103976101	Screw, 3/8-24x5.75, Patch .....	1
32	334	Washer, 3/8, Type A, Flat .....	1

11

G

**11**  
**G**



000959-001

## DRIVEN CLUTCH – ALL GASOLINE VEHICLES WITH EFI

ITEM	PART NO.	DESCRIPTION	QTY
		1 2 3 4	
1	103974002	Clutch, Driven, Std-Speed, Key and Pedal Start (includes items 2 through 11) .....	1
2	1014072	Movable-Face Assembly with Bushing .....	1
3	1014078	Key, Driven Clutch .....	1
4	1014080	Ring, Retaining .....	1
5	1014454	Kit, Driven Clutch Button (includes items 6 and 7) .....	1
6	1012836	Screw, #8-32 X 3/4, Socket-Head Cap .....	3
7	N/A	Button, Drive .....	3
8	1017145	Spring, Driven Clutch, 55 Degree .....	1
9	1017686	Cam, Driven Clutch .....	1
10	103975301	Sheave, Fixed, Driven, Wr .....	1
11	104025101	Washer, Acetal, Driven Clutch .....	1
12	AM10419	Kit, Clutch Repair (includes items 13 through 15) .....	1
13	101833401	Key, 3/16 Sq X 1.50" .....	1
14	102155801	Washer, Driven Clutch .....	1
15	102242101	Screw, 5/16-18 X 3/4 Hex-Head with Patch .....	1

**11**  
**G**

11

G

# TRANSAXLE, FUJI ED65 (FOR SUBARU EX40)

---

12

G





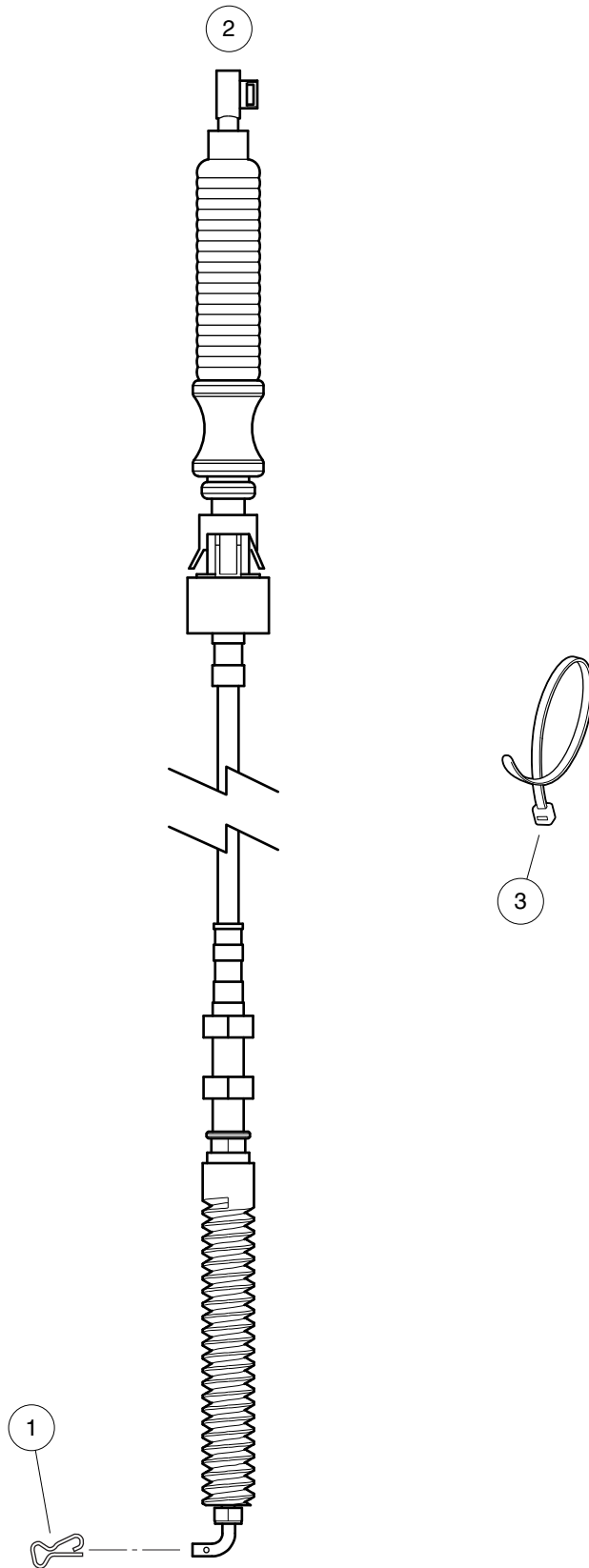
## FORWARD/REVERSE SHIFTER ASSEMBLY – EFI

ITEM	PART NO.	DESCRIPTION	QTY
		1 2 3 4	
1	1012431	Washer, #4 Flat .....	4
2	1012594	Screw, #4-40 Machine .....	2
3	1012987	Handle, FNR .....	1
4	1013589	Ring, Retaining, 0.338" Internal .....	1
5	1013590	Spring, FNR Cam .....	1
6	1013591	Pin, Roll, 1/8 X 1/2 .....	1
7	1014065	Washer, Flat, 0.38" ID, Delrin .....	3
8	1014145	Bushing, Secondary Weight, Split .....	2
9	1014727	Washer, Flat, #4, Nylon .....	2
10	1014807	Switch, Limit .....	1
11	1015064	Screw, #8-32 X 0.63 Machine .....	1
12	101979101	Switch, Limit, Assembly, Sealed .....	1
13	102296040	Screw, Torx Pan Hd Pt, M6 X 40 .....	3
14	102526201	Stud, Thread, 1/4-28 .....	1
15	105037501	Housing, Gas FNR Body Shift .....	1
16	105037601	Cam, FNR Detent, 45 Degree .....	1
17	105037701	Follower, FNR Detent .....	1
18	105038501	Spring, Wave, Gas FNR Shifter .....	1
19	105039801	E-Clip, External, 8mm Groove .....	2
20	105040401	Pin, Round, 0.125 Dia x 0.625 .....	1
21	105041101	Weldment, Shaft, Fnr .....	1
22	105074101	Cam, Neutral Lockout, EX40 .....	1
23	8057	Nut, #4-40 Hex Machine .....	4
24	8058	Lockwasher, #4 Split .....	2
25	8717	Locknut, Nylon Insert, 1/4-28 .....	1

**12**

**G**

**12**  
**G**

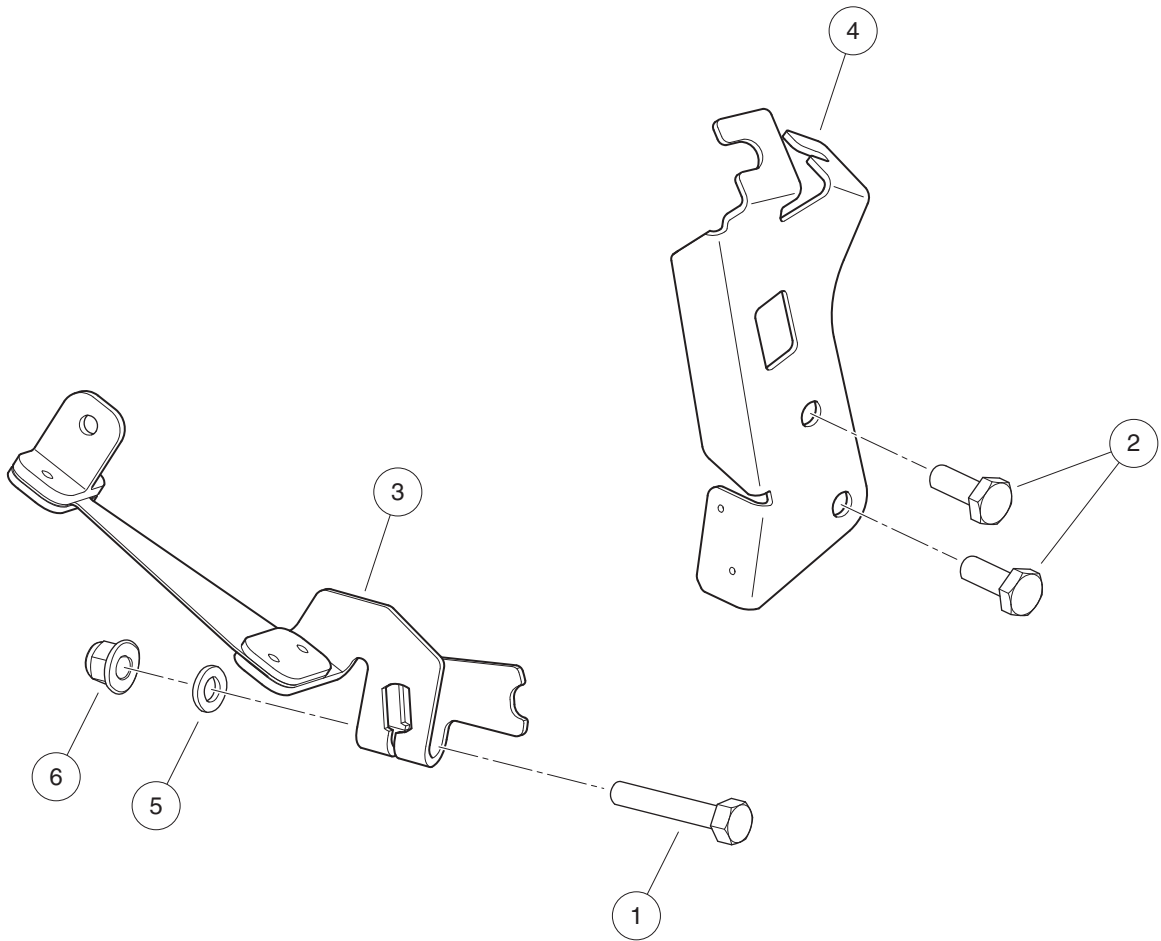


000988-001

# SHIFTER CABLE

ITEM	PART NO.	DESCRIPTION	QTY
1	103886601	1 2 3 4 Clip, Bowtie .....	1
2	105038801	Cable, Shifter .....	1
3	8990	Tie Wrap, 8" Nylon .....	A/R

**12**  
**G**



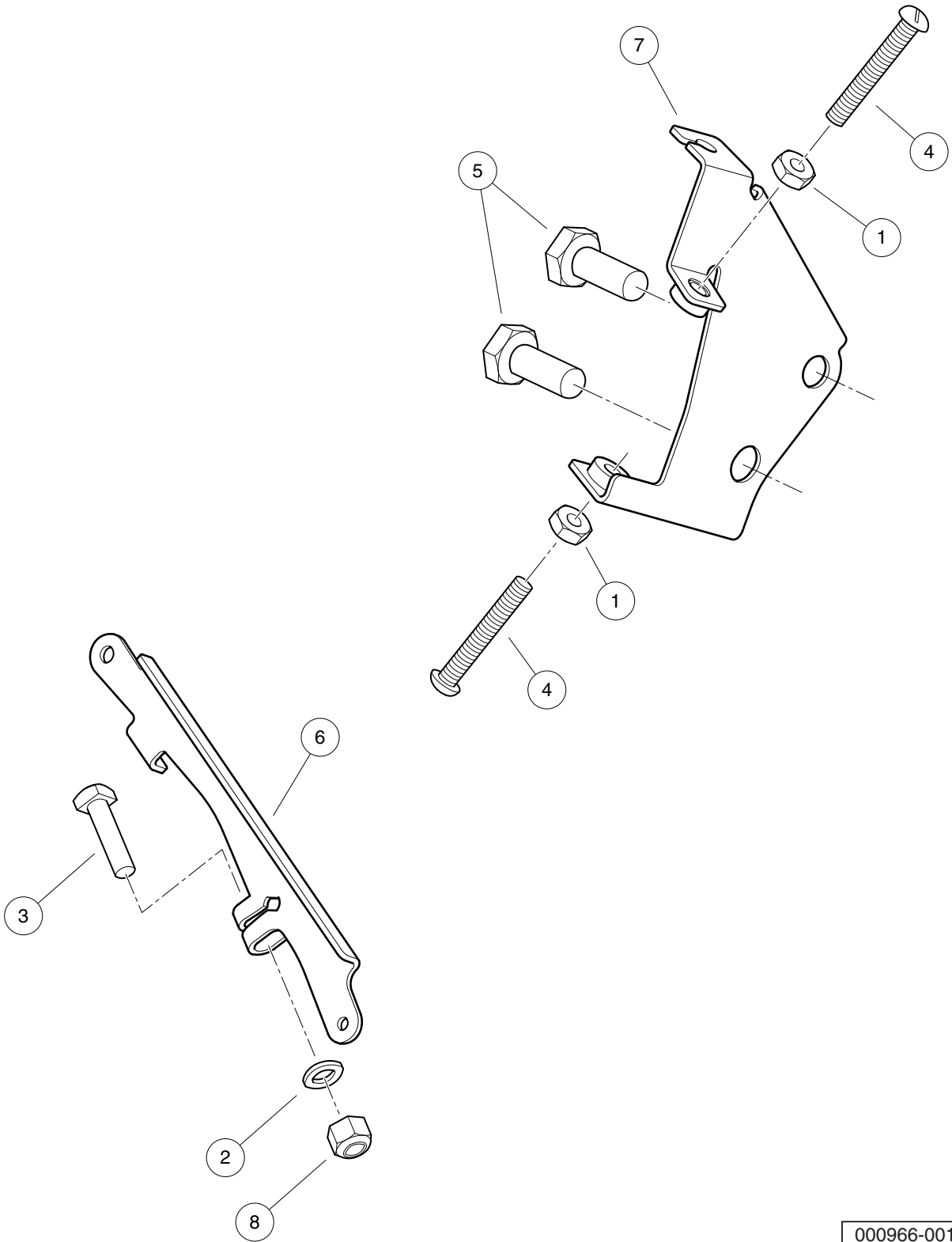
000965-003

# SHIFT LEVER AND BRACKET – PEDAL-START ENGINES

ITEM	PART NO.	DESCRIPTION	QTY
		1 2 3 4	
1	101862001	Screw, 1/4-20 X 1.500 Flange .....	1
2	102498201	Bolt, M10 X 1.25 X 25, Loctite .....	2
3	105040901	Lever, Shift, Flex, Transaxle, Pedal-Start .....	1
4	105135101	Bracket, Cable, FNR/Accelerator, ED65 .....	1
5	332	Washer, 1/4 Type A Narrow Flat .....	1
6	8233	Locknut, 1/4-20, Nylon Insert .....	1

12

G



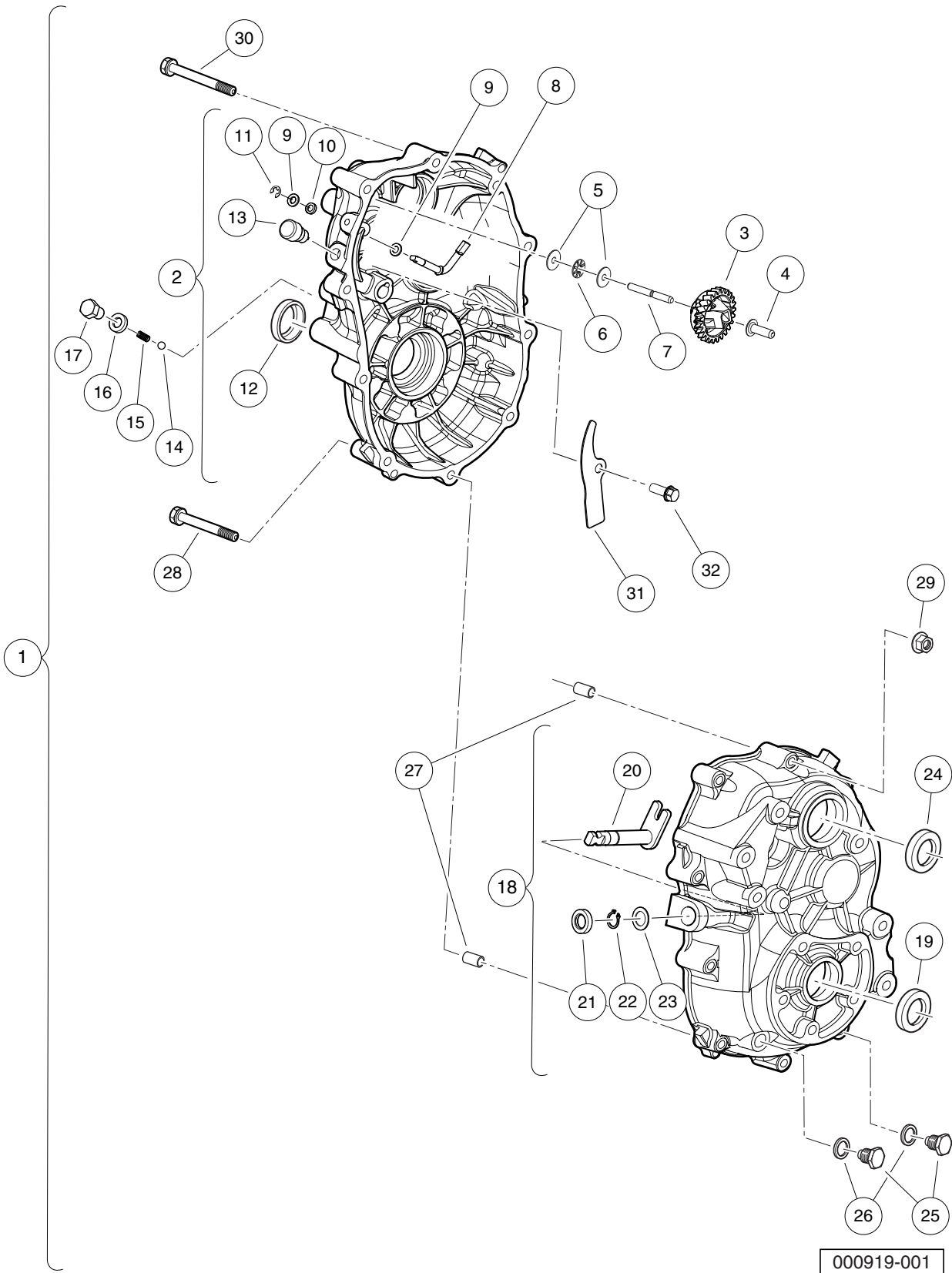
000966-001

# GOVERNOR ARM AND BRACKETS

ITEM	PART NO.	DESCRIPTION	QTY
		1 2 3 4	
1	1011114	Nut, M6-1.00 Hex .....	2
2	1014007	Washer, 1/4, Flat .....	1
3	101886101	Screw, 1/4-20 X 1.00, Square-Head .....	1
4	102476401	Bolt, Stop, Pedal .....	2
5	102498201	Bolt, M10 X 1.25 X 25, Loctite .....	2
6	104023501	Arm, Governor, ED65 .....	1
7	105144401	Weldment, Governor Bracket .....	1
8	8233	Locknut, 1/4-20, Nylon Insert .....	1

12

G



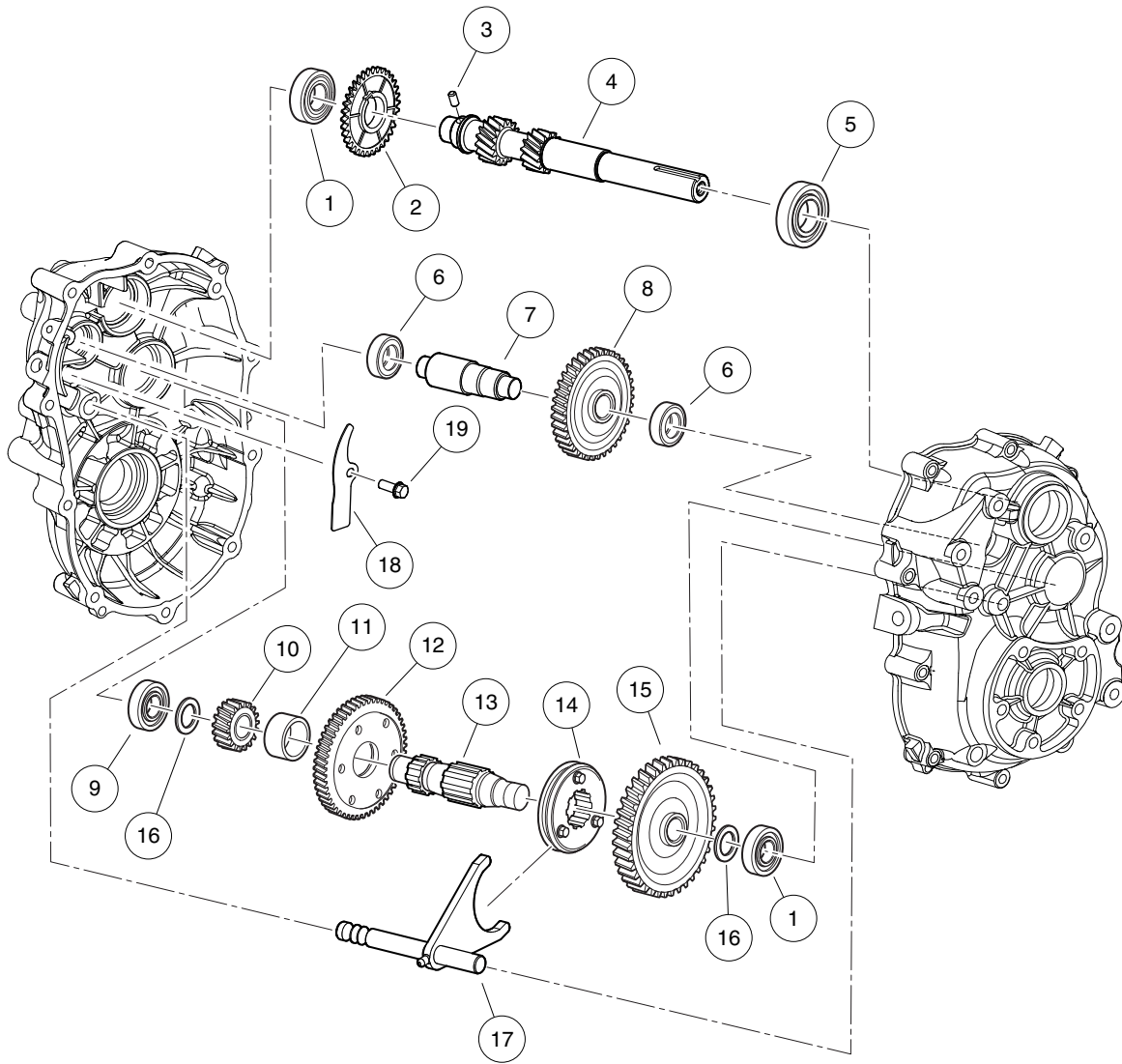


# TRANSAXLE (ED65), OPEN – PAGE 1 OF 3

ITEM	PART NO.	DESCRIPTION	QTY
		<b>1 2 3 4</b>	
1	103879701	Transaxle, ED65, Open Differential (includes items 2 through 32) .....	1
2	105025001	Case, Transaxle, Left, Complete, ED65 (includes items 3 through 13) .....	1
3	105025101	Gear, Governor, Complete, ED65 .....	1
4	105025201	Sleeve, Governor, ED65 .....	1
5	105025301	Washer, ED65 .....	2
6	105025401	Bearing, Thrust, ED65 .....	1
7	105025501	Shaft, Governor Gear, ED65 .....	1
8	105025601	Shaft, Governor, ED65 .....	1
9	105025701	Washer, 6mm, ED65 .....	2
10	105025801	Seal, Oil, 6x10x2.5, ED65 .....	1
11	105025901	Retaining Ring, E5, ED65 .....	1
12	105026001	Seal, Oil, 24x40x9, ED65 .....	1
13	105027101	Vent, Breather, ED65 .....	1
14	105026101	Ball, Steel, ED65 .....	1
15	105026201	Spring, ED65 .....	1
16	105026301	Gasket, 10, ED65 .....	1
17	105026401	Bolt, M10-1.25x12mm Lg, ED65 .....	1
18	105026501	Case, Transaxle, Right, Complete, ED65 (includes items 19 through 24) .....	1
19	105026001	Seal, Oil, 24x40x9, ED65 .....	1
20	105026601	Shaft, Select, ED65 .....	1
21	105026701	Seal, Oil, 13x22x5, ED65 .....	1
22	105026801	Snap Ring, 13mm, ED65 .....	1
23	105026901	Spacer, 13x1, ED65 .....	1
24	105027001	Seal, Oil, 25x45x7, ED65 .....	1
25	105027201	Plug, Oil Drain, ED65 .....	2
26	105027301	Gasket, 14, ED65 .....	2
27	105028301	Pin, Guide, ED65 .....	2
28	105028501	Bolt, Flange, M8-1.25x65mm, ED65 .....	1
29	105030001	Nut, Flange, M8-1.25, ED65 .....	10
30	105030701	Bolt, Flanged, M8-1.25x80mm, ED65 .....	9
31	105234801	Plate, Ed65 Splash .....	1
32	105234901	Bolt, M6-1 X 12mm Lg, Ed65 .....	1
<p>Note: Fuji transaxle component listings span three pages. To identify your transaxle, locate the serial number decal on the axle tube.</p>			

12

G



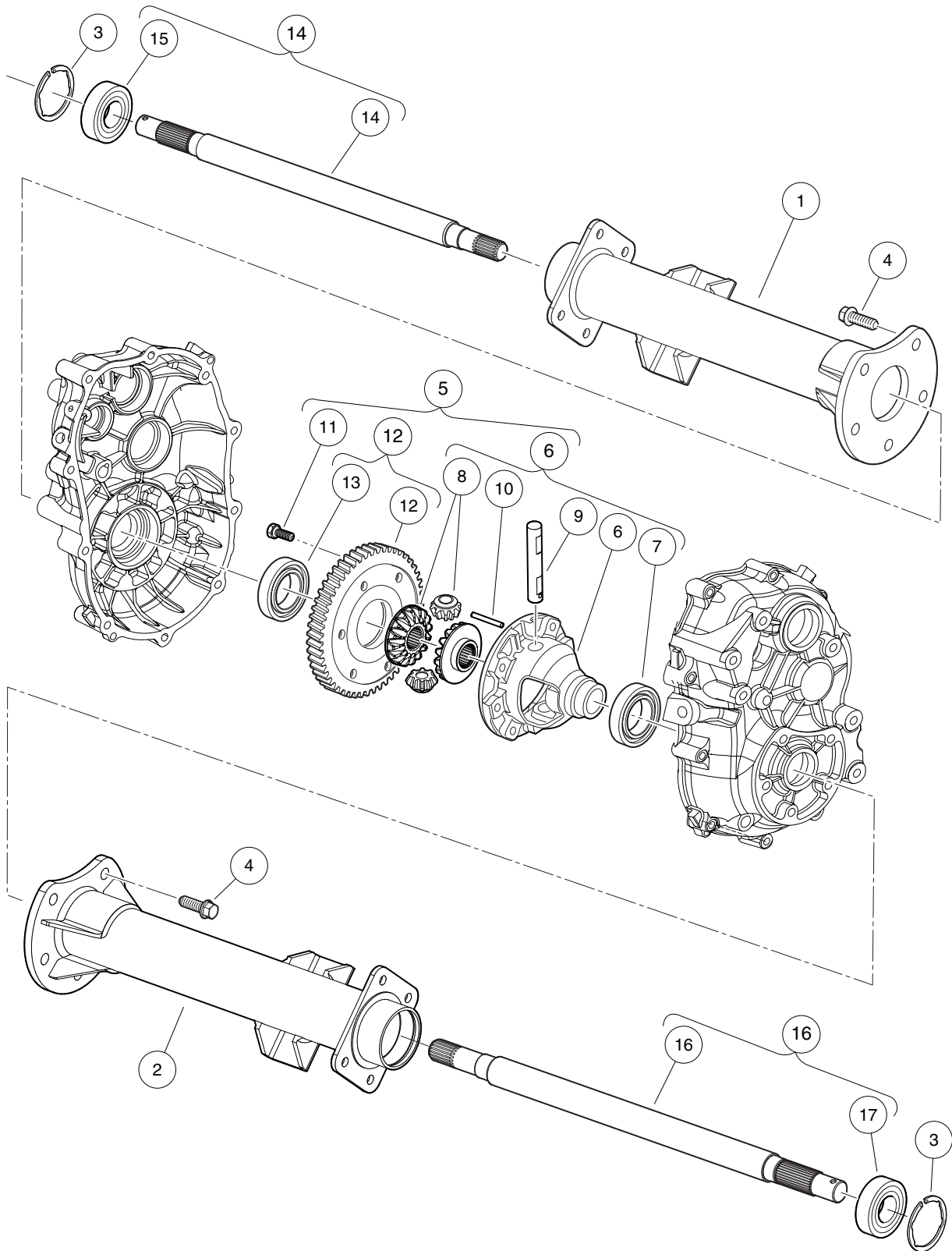
000919-007

# TRANSAXLE (ED65), LIMITED SLIP AND OPEN – PAGE 2 OF 3

ITEM	PART NO.	DESCRIPTION	QTY
		1 2 3 4	
1	105027401	Bearing, Ball (6204) .....	2
2	105027501	Gear, Governor, 34 Tooth, ED65 .....	1
3	105027601	Pin, 6x12 Long, ED65 .....	1
4	105027701	Shaft, Input, ED65 .....	1
5	105027801	Bearing, Ball (6205 seal) .....	1
6	105027901	Bearing, Ball (6202) .....	2
7	105028001	Shaft, Counter, ED65 .....	1
8	105028201	Gear, 34 Tooth, ED65 .....	1
9	105028401	Bearing, Ball (6304) .....	1
10	105028601	Gear, 17 Tooth, ED65 .....	1
11	105028701	Collar, 24 x 12, ED65 .....	1
12	105028801	Gear, 52 Tooth, ED65 .....	1
13	105028901	Shaft, Center, ED65 .....	1
14	105029001	Clutch, Pin, ED65 .....	1
15	105029101	Gear, 62 Tooth, ED65 .....	1
16	105029201	Spacer, 20x2, ED65 .....	2
17	105030901	Shaft, Shift, ED65 .....	1
18	105234801	Plate, Ed65 Splash .....	1
19	105234901	Bolt, M6-1 X 12mm Lg, Ed65 .....	1
		<p>Note: To identify your transaxle, locate the serial number decal on the axle tube.</p>	

12

G



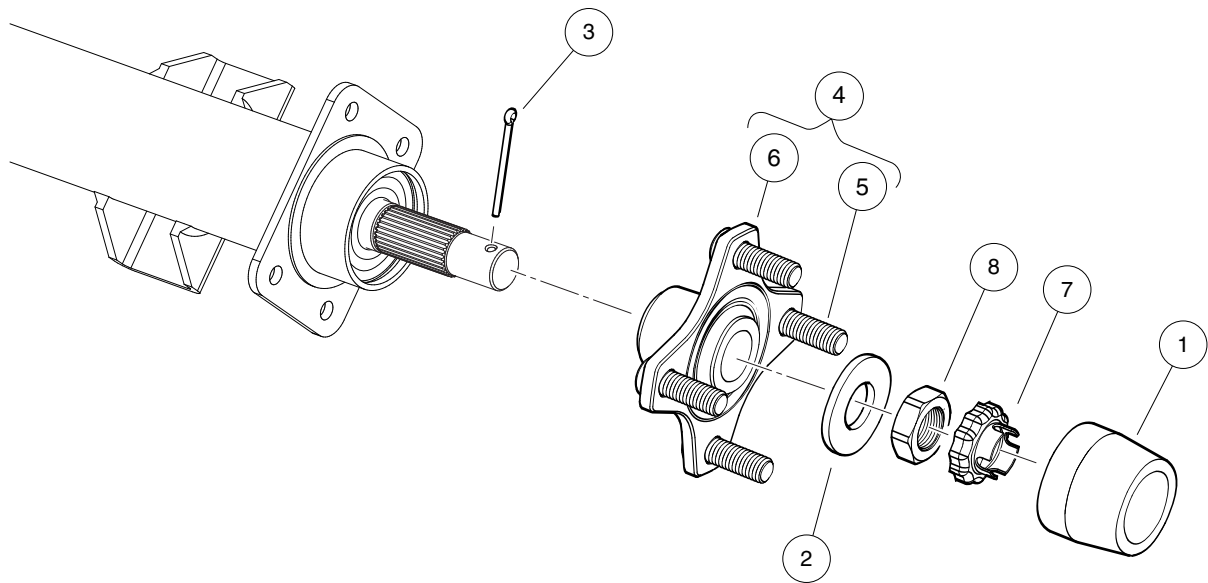
000919-004

## TRANSAXLE (ED65), OPEN – PAGE 3 OF 3

ITEM	PART NO.	DESCRIPTION	QTY
		<b>1 2 3 4</b>	
1	105030401	Axle Tube, Driver-Side, ED65 .....	1
2	105030501	Axle Tube, Passenger-Side, ED65 .....	1
3	105030601	Snap Ring, 52mm, ED65 .....	2
4	105030801	Bolt, Flange, M10-1.25x25, ED65 .....	10
5	105031001	Differential, Open, ED65 (includes items 6 through 12) .....	1
6	105029301	Case, Differential, Complete, ED65 (includes items 7 through 10) .....	1
7	105028101	Bearing, Ball (6006) .....	1
8	105029401	Gear Set, Differential, ED65 .....	1
9	105029601	Shaft, Differential, ED65 .....	1
10	105029701	Pin, 4x40 Long, ED65 .....	1
11	105029501	Bolt, M10-1.25x26mm Lg, ED65 .....	6
12	105029901	Gear, 60 Tooth, Complete, ED65 (includes item 13) .....	1
13	105029801	Bearing, Ball (6007) .....	1
14	105066001	Axle Shaft, Driver-Side, Complete, ED65 (includes item 15) .....	1
15	105030301	Bearing, Ball (6205DD) .....	1
16	105066101	Axle Shaft, Passenger-Side, Complete, ED65 (includes item 17) .....	1
17	105030301	Bearing, Ball (6205DD) .....	1
Note: To identify your transaxle, locate the serial number decal on the axle tube.			

12

G



000919-006

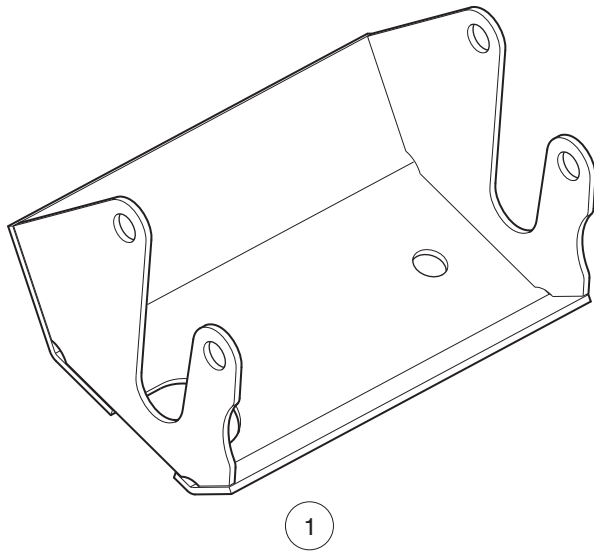
# HUB, REAR

ITEM	PART NO.	DESCRIPTION	QTY
		<b>1 2 3 4</b>	
1	102274101	Center Cap, Rubber .....	2
2	102617801	Washer, Hard, M22 .....	2
3	103989501	Pin, Cotter, 9/64 X 1.75" .....	2
4	103995001	Asm, Hub, Machined (includes items 5 and 6) .....	2
5	103951501	Lug Stud, 1/2-20 UNF, SAE J1102 .....	4
6	103979301	Hub, Machined .....	1
7	104021701	Retaining Ring, Hex Nut, M22 .....	2
8	104027101	Nut, Hex, M22x1.5, Thin .....	2

**12**  
**G**

12

G



001436-001



# DIFFERENTIAL GUARD, ED65 – GASOLINE VEHICLE

ITEM	PART NO.	DESCRIPTION	QTY
1	103989901	1 2 3 4 Weldment, Diff Guard, Ed65 .....	1

12

G

12

G

# ELECTRICAL SYSTEM – EXCEL WITH HIGH FREQUENCY CHARGERS

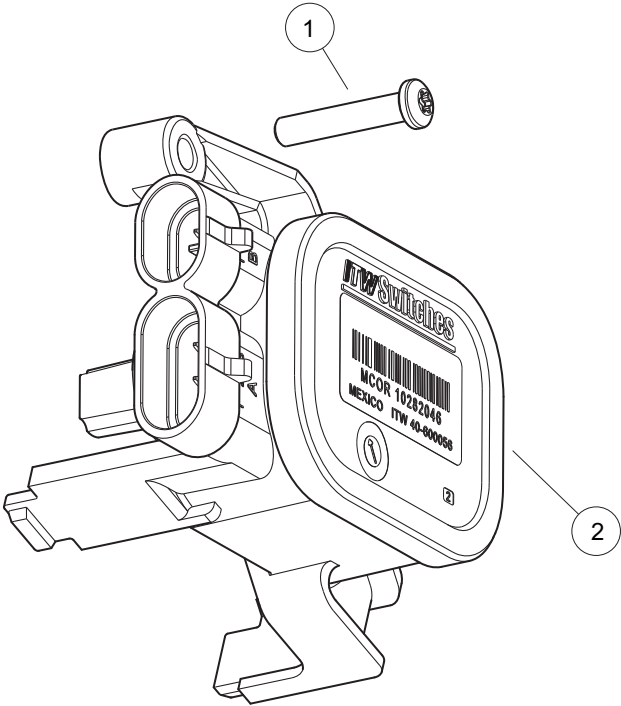
---

13

E

13

E



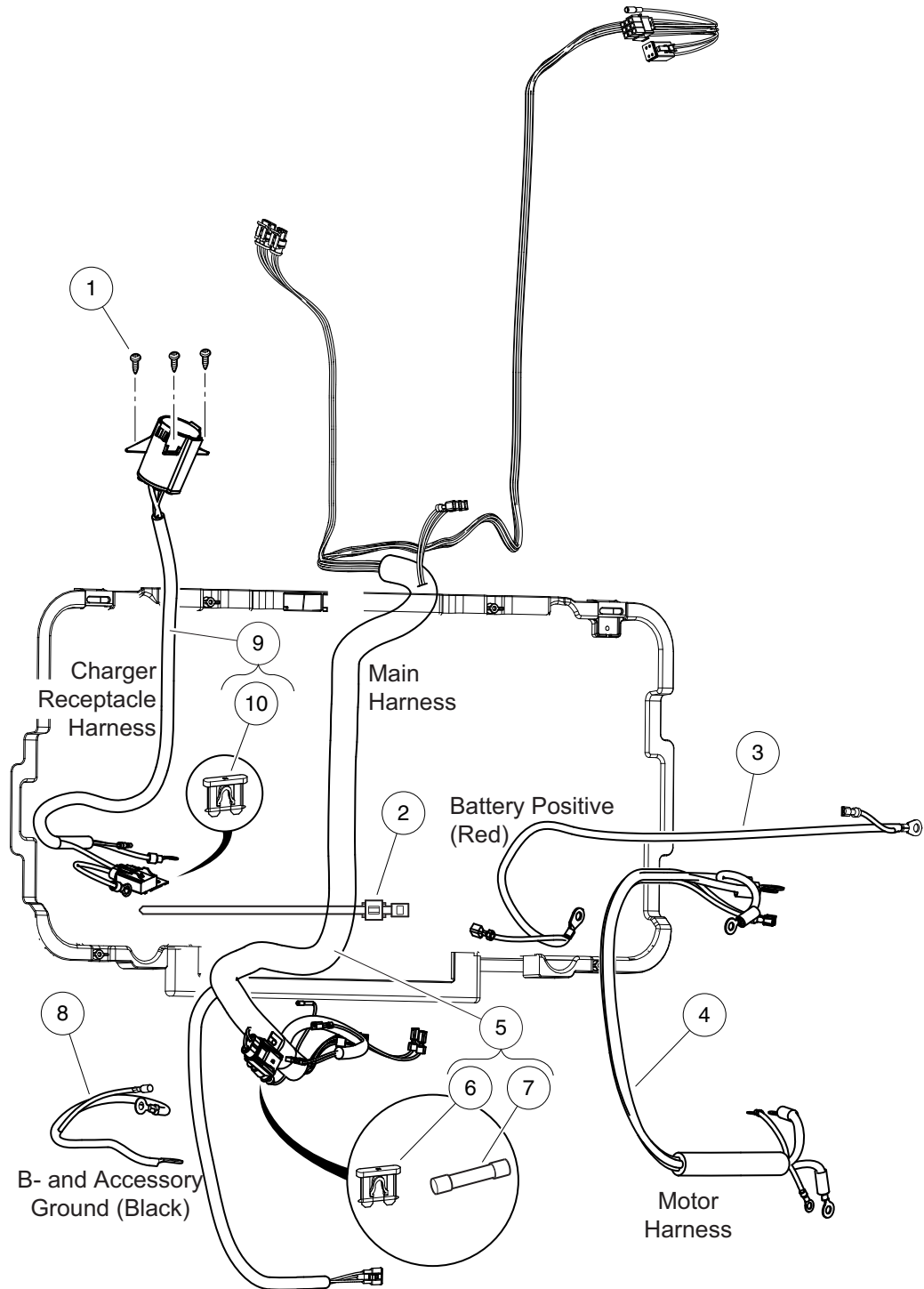
000243-005

# MOTOR CONTROLLER OUTPUT REGULATOR (MCOR)

ITEM	PART NO.	DESCRIPTION	QTY
		1 2 3 4	
1	103943401	Screw, Pan, #10 X 1.00 Hi-lo .....	1
2	105116301	MCOR4, Type 16 Switch .....	1

13

E



000647-002

# WIRING AND FUSES

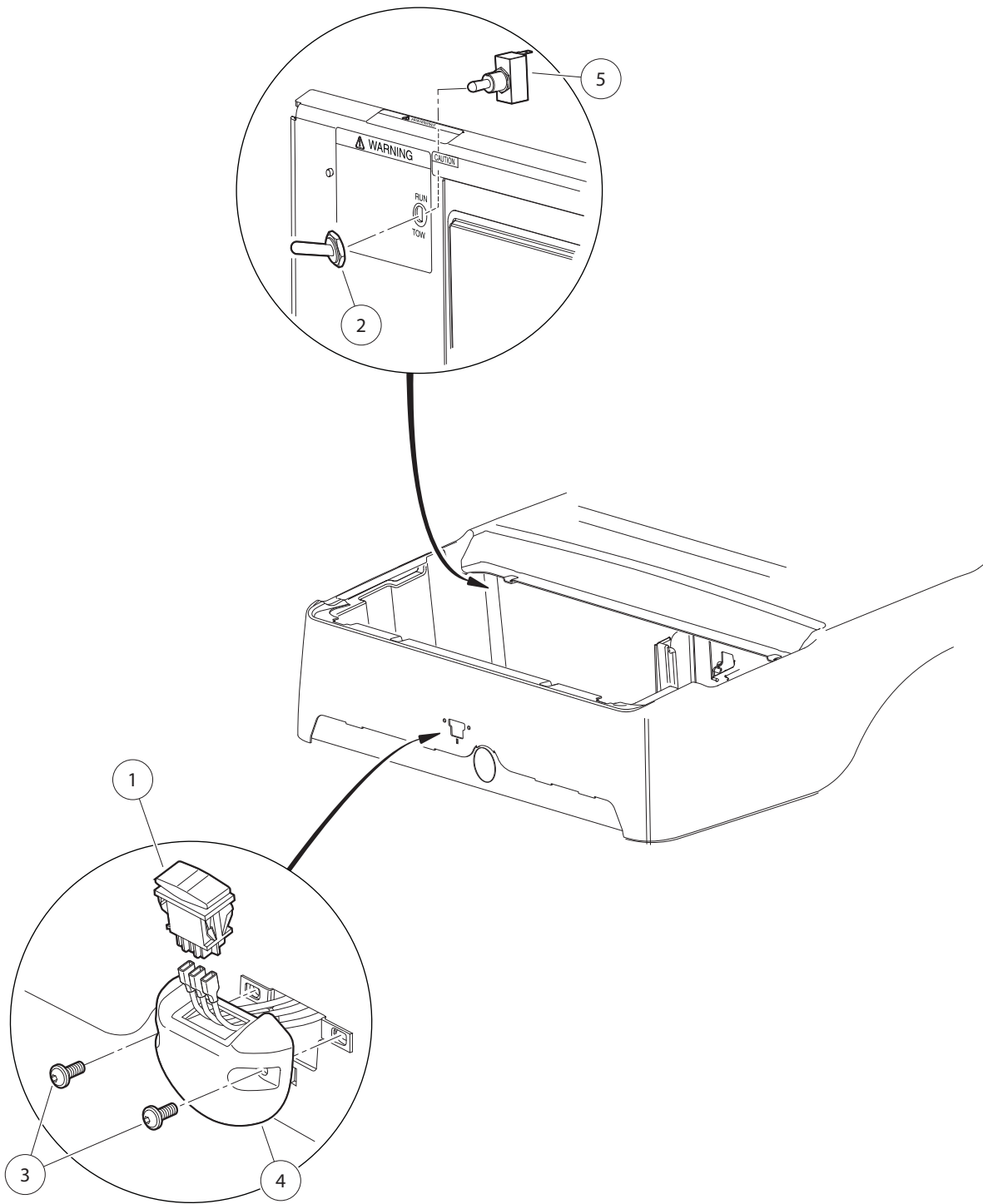
ITEM	PART NO.	DESCRIPTION	QTY
		1 2 3 4	
1	101832001	Screw, #7-19 X 0.625 Phillips Pan-Head Tap .....	3
2	102554901	Clip, Edge, with Wire Tie .....	1
3	103375402	Asm, Wire, Battery Positive, B+, Short .....	1
4	103375702	Asm, Harness, Motor 1/4 .....	1
5	104023201	Harness, Main, Excel w/Hi-Freq, Mcor3 (includes items 6 and 7) .....	1
6	102538601	15 Amp Fuse .....	1
7	103924801	Fuse, Glass, 2-Amp .....	1
8	104024001	Asm, Wire, Battery Negative, B-, w/ Accy Ground .....	1
9	105137401	Harness, Wire, Charger Receptacle (for Yellow DC Cord) (includes item 10) .....	1
10	102492301	Fuse, 30-Amp .....	1
11	8639	Tie Wrap, 11" Nylon .....	A/R
12	8990	Tie Wrap, 8" Nylon .....	A/R
Note: Items 11 and 12 not shown.			

13

E

13

E



000462-004



## FORWARD/REVERSE SWITCH AND TOW/RUN SWITCH

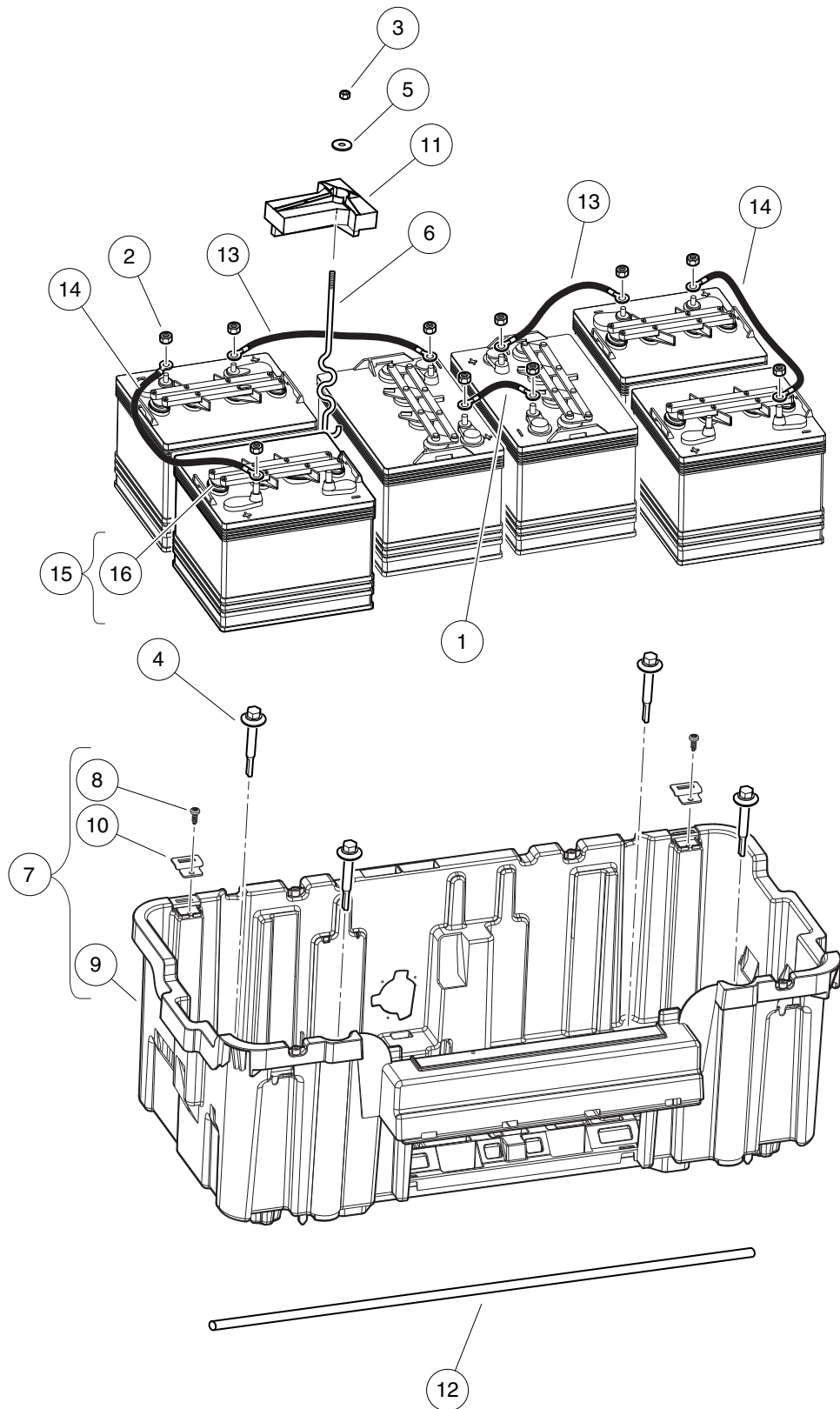
ITEM	PART NO.	DESCRIPTION	QTY
		1 2 3 4	
1	101856001	Switch, Rocker, Double-Pole .....	1
2	101908401	Boot, Switch .....	1
3	102296920	Screw, M6, Torx Button Head, Sems .....	2
4	102508401	Housing, FNR Electric .....	1
5	102511101	Switch, Tow .....	1

13

E

13

E



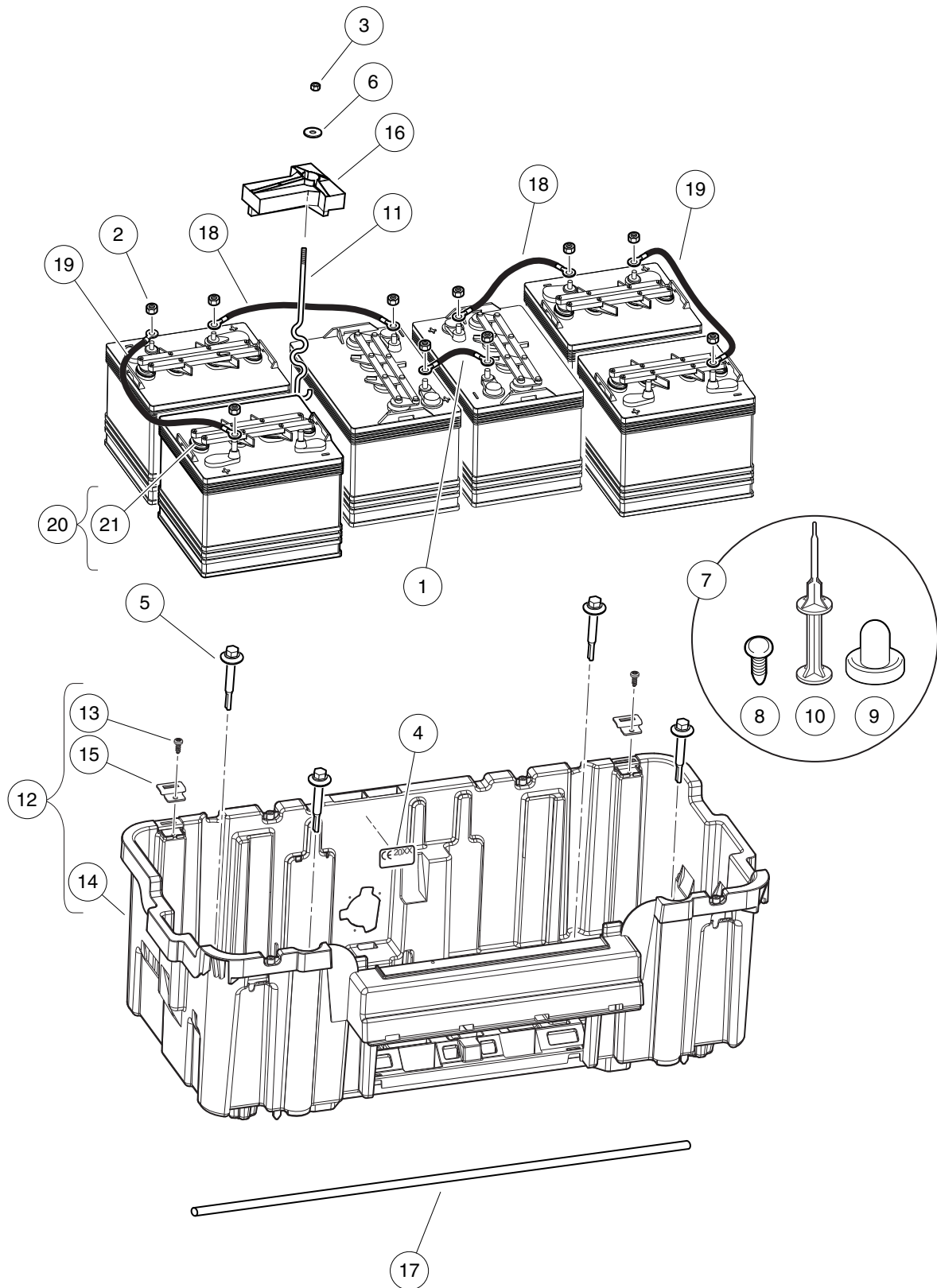
000682-001

## BATTERIES AND BATTERY BUCKET, PD+ 8-VOLT

ITEM	PART NO.	DESCRIPTION	QTY
		1 2 3 4	
1	1010958	Asm, Wire, #6blk 8in .....	1
2	1014304	Nut, 5/16-18 Stainless-Steel Hex .....	12
3	1014555	Locknut, 7/16-14 Nylon Hex .....	2
4	102292356	Screw-1/4-20x56 Hwh Self Drill .....	4
5	102491501	Washer, Hard, M10 .....	2
6	103357701	Bolt, Battery, "s" Hold-down .....	2
7	103368401	Asm, Bucket, Batt, Elec (includes items 8 through 10) .....	1
8	102298020	Screw, K80x20, Torx Pn Hd Pt .....	2
9	N/A	Bucket, Batt, Elec .....	1
10	103368301	Hinge - Nested .....	2
11	103374801	Hold Down, Battery .....	2
12	103375301	Tube, Cross, Battery Rod .....	1
13	103647402	Wire Asm #6 Blk, 12" .....	2
14	103647403	Wire Asm #6 Blk, 17" .....	2
15	105138301	Battery, 8-Volt, JCI GC8 Type E (includes item 16) .....	6
16	103765601	Cap, Spin, 8-Volt Battery .....	1

13

E



000682-002

## BATTERIES AND BATTERY BUCKET, PD+ 8-VOLT, CE

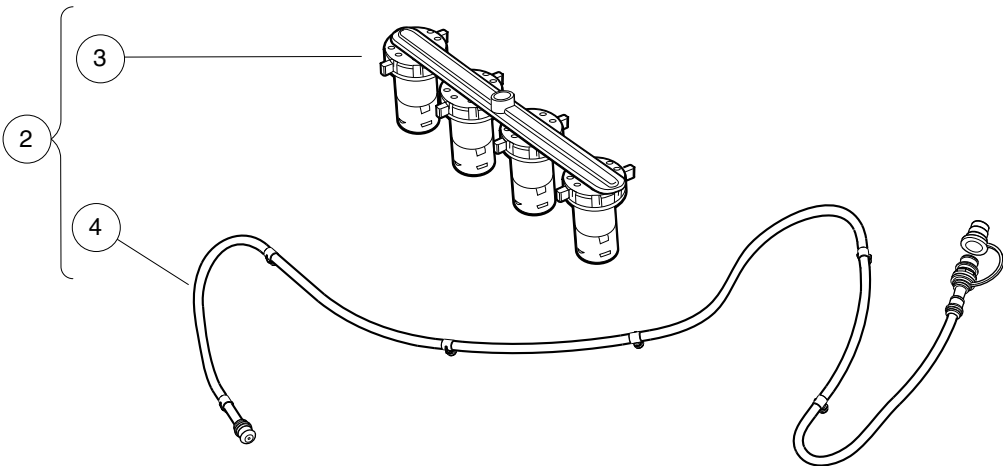
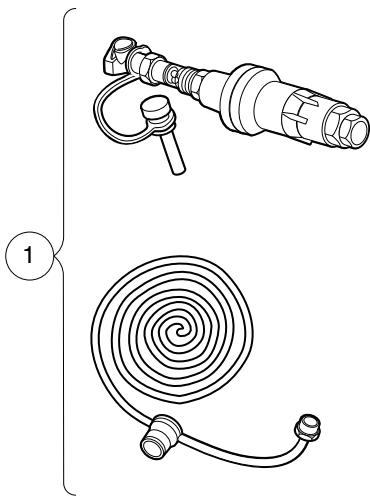
ITEM	PART NO.	DESCRIPTION	QTY
		1 2 3 4	
1	1010958	Asm, Wire, #6blk 8in .....	1
2	1014304	Nut, 5/16-18 Stainless-Steel Hex .....	12
3	1014555	Locknut, 7/16-14 Nylon Hex .....	2
4	101865805	Ce - Decal .....	1
5	102292356	Screw-1/4-20x56 Hwh Self Drill .....	4
6	102491501	Washer, Hard, M10 .....	2
7	102571202	Kit Ce Plug - Bucket Elec (includes items 8 through 10) .....	1
8	1010434	Barrel - Plastic .....	2
9	N/A	Plug, 1/2", CE Bucket .....	6
10	N/A	Install Tool, CE Bucket Plug .....	1
11	103357701	Bolt, Battery, "s" Hold-down .....	2
12	103368401	Asm, Bucket, Batt, Elec (includes items 13 through 15) .....	1
13	102298020	Screw, K80x20, Torx Pn Hd Pt .....	2
14	N/A	Bucket, Batt, Elec .....	1
15	103368301	Hinge - Nested .....	2
16	103374801	Hold Down, Battery .....	2
17	103375301	Tube, Cross, Battery Rod .....	1
18	103647402	Wire Asm #6 Blk, 12" .....	2
19	103647403	Wire Asm #6 Blk, 17" .....	2
20	105138301	Battery, 8-Volt, JCI GC8 Type E (includes item 21) .....	6
21	103765601	Cap, Spin, 8-Volt Battery .....	1
		Note: The CE-specific parts shown are required for vehicles sold in the European Union.	

13

E

13

E



000731-009

# SINGLE POINT WATERING SYSTEM, 8V

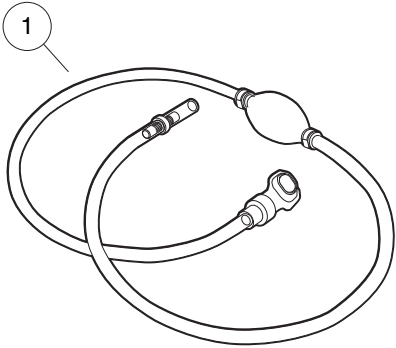
ITEM	PART NO.	DESCRIPTION	QTY
		1 2 3 4	
1	102958001	Kit Regulated Hose Sply Spws .....	1
2	103395505	Kit, Spws, 8 Volt Non-Trojan (includes items 3 and 4) .....	1
3	103510602	Spws, Manifold Asm, 8v Non-Trojan .....	6
4	103774701	Spws, Hose 8v Non-trojan .....	1
		Note: For JCI 8-Volt batteries only.	

13

E

**13**

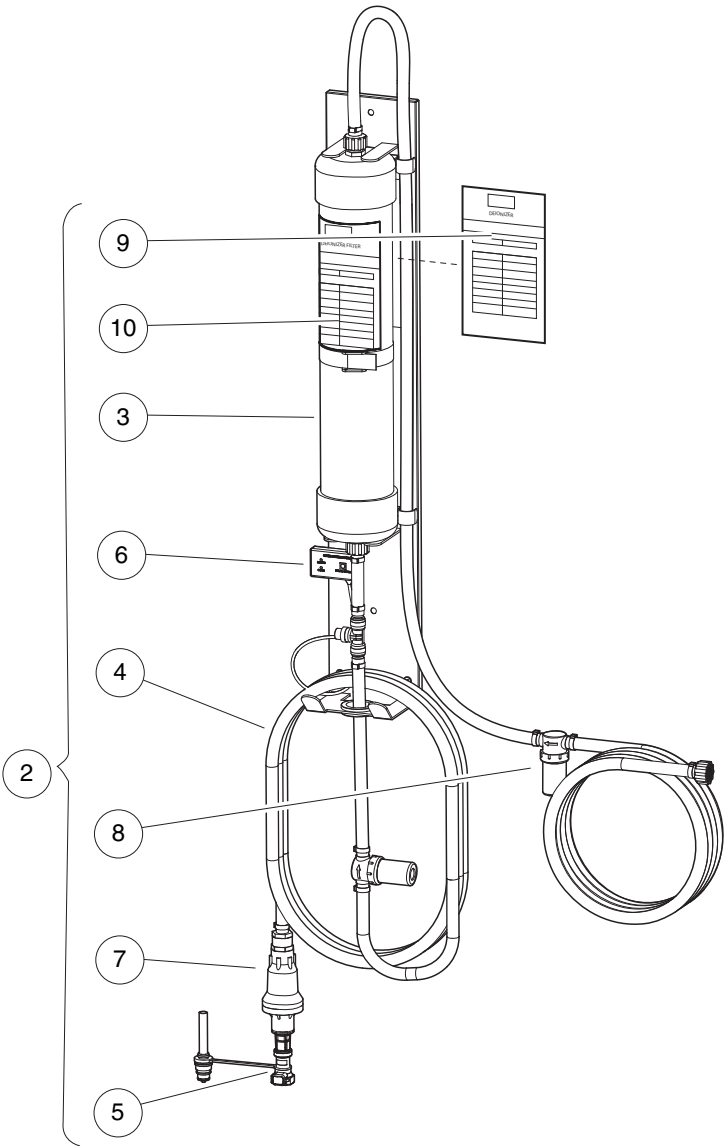
**E**



11



12



002523-003



# HAND PUMP AND DEIONIZER (BATTERY-POWERED QUALITY LIGHT)

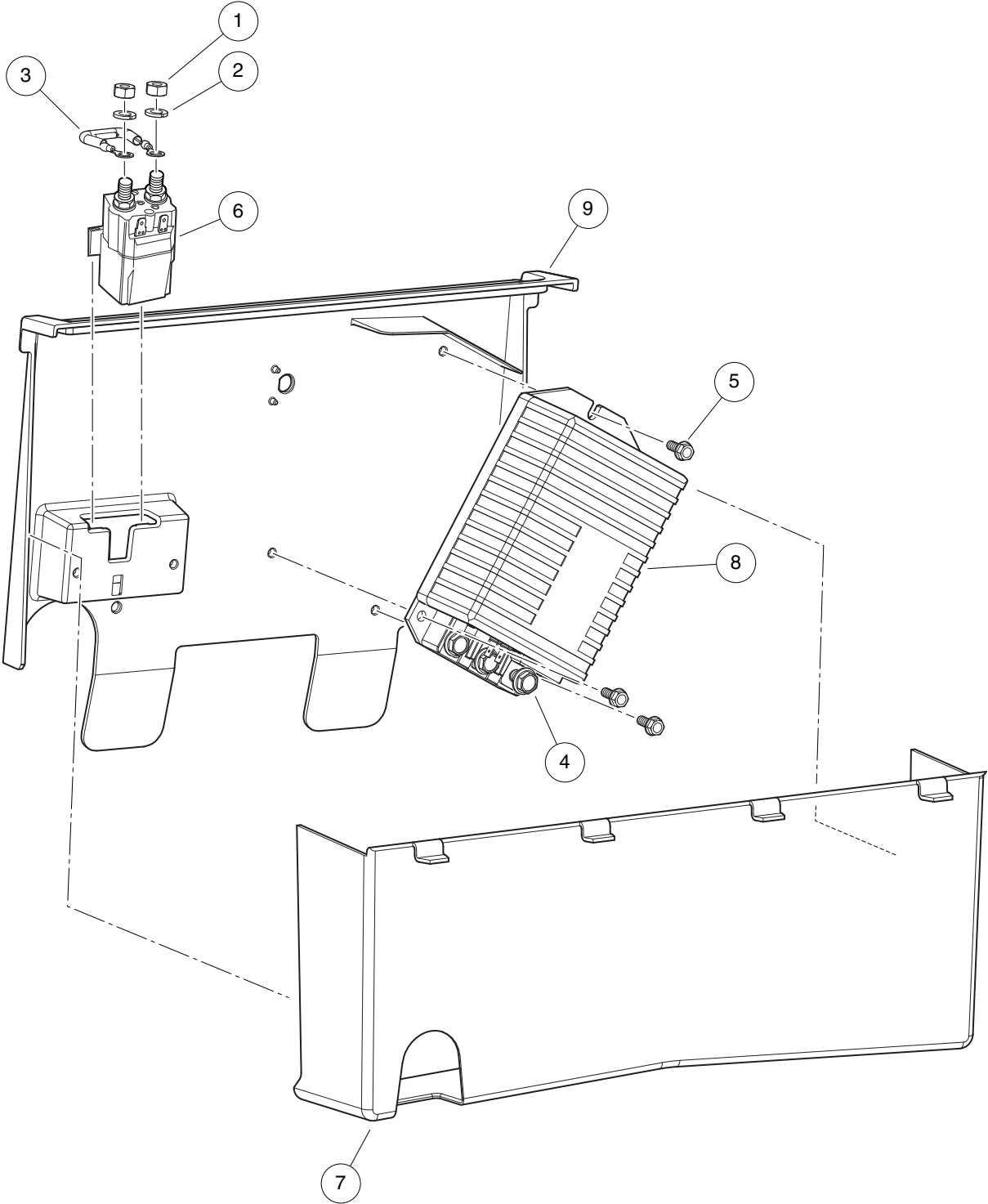
ITEM	PART NO.	DESCRIPTION	QTY
		<b>1 2 3 4</b>	
1	104006101	Kit, Hand Pump, Spws .....	1
2	105166801	Deionizer, w/Battery-Powered Water Quality Light (includes items 3 through 10) .....	1
3	104005901	Cartridge, Deionizer .....	1
4	105166901	Hose,outlet,deionizer .....	1
5	105167001	Flow Ind, W/coupler, Deionizer .....	1
6	105167101	Light, Quality, Battery-Powered, w/T-Fitting .....	1
7	105168501	Regulator, Pressure, Deionizer .....	1
8	105168601	Strainer, In-line, Deionizer .....	1
9	AM1300001	Decal, Filter Log, Blue .....	1
10	AM1300201	Decal, Inspect Log, Yellow .....	1
11	AM1300101	Decal, Filter Log, Blue, Pack of 100 .....	A/R
12	AM1300301	Decal, Inspect Log, Yellow, Pack of 100 .....	A/R

13

E

13

E



000486-013

# CONTROLLER AND SOLENOID

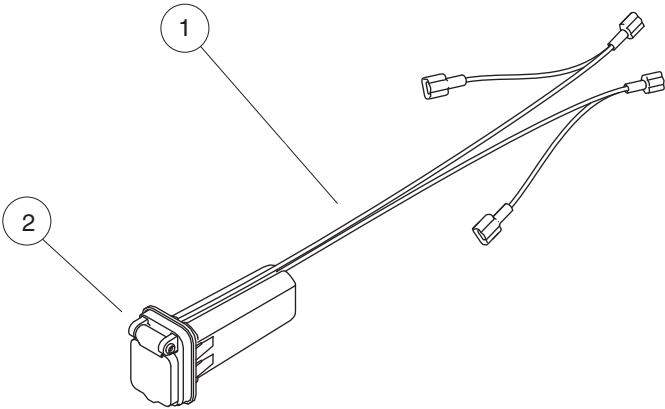
ITEM	PART NO.	DESCRIPTION	QTY
		1 2 3 4	
1	1012528	Nut, M8-1.25 Hex .....	2
2	1013734	Lockwasher, 8mm Split .....	2
3	1014947	Resistor Assembly .....	1
4	102240501	Bolt, Controller, Terminal .....	3
5	102296716	Screw, M6 X 16 Tt Hx Fl Hd .....	3
6	102865901	Solenoid 48v Slot Mt No Diode .....	1
7	103367901	Shield - Controller .....	1
8	103982301	Controller, 1515, 250A, White .....	1
9	105005001	Component Mounting Plate .....	1
Note: Replacement solenoid may vary in appearance from the original.			

13

E

13

E



001286-002

# USB PORT KIT FOR ELECTRIC VEHICLES

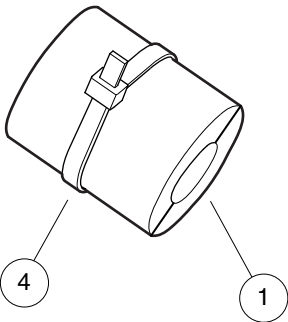
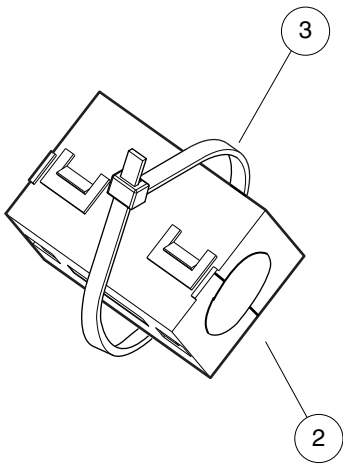
ITEM	PART NO.	DESCRIPTION	QTY
1	47604230001	1 2 3 4 Kit, USB, 48v (includes item 2) .....	1
2	47560030001	USB Port .....	1

13

E

13

E



001055-001

# FERRITE BEADS, CE

ITEM	PART NO.	DESCRIPTION	QTY
		1 2 3 4	
1	103449501	Bead, Ferrite, Tdk .....	A/R
2	103449601	Bead, Ferrite, Fair-rite .....	A/R
3	8639	Tie Wrap, 11" Nylon .....	A/R
4	8990	Tie Wrap, 8" Nylon .....	A/R

13

E

13

*E*



# ELECTRIC MOTOR

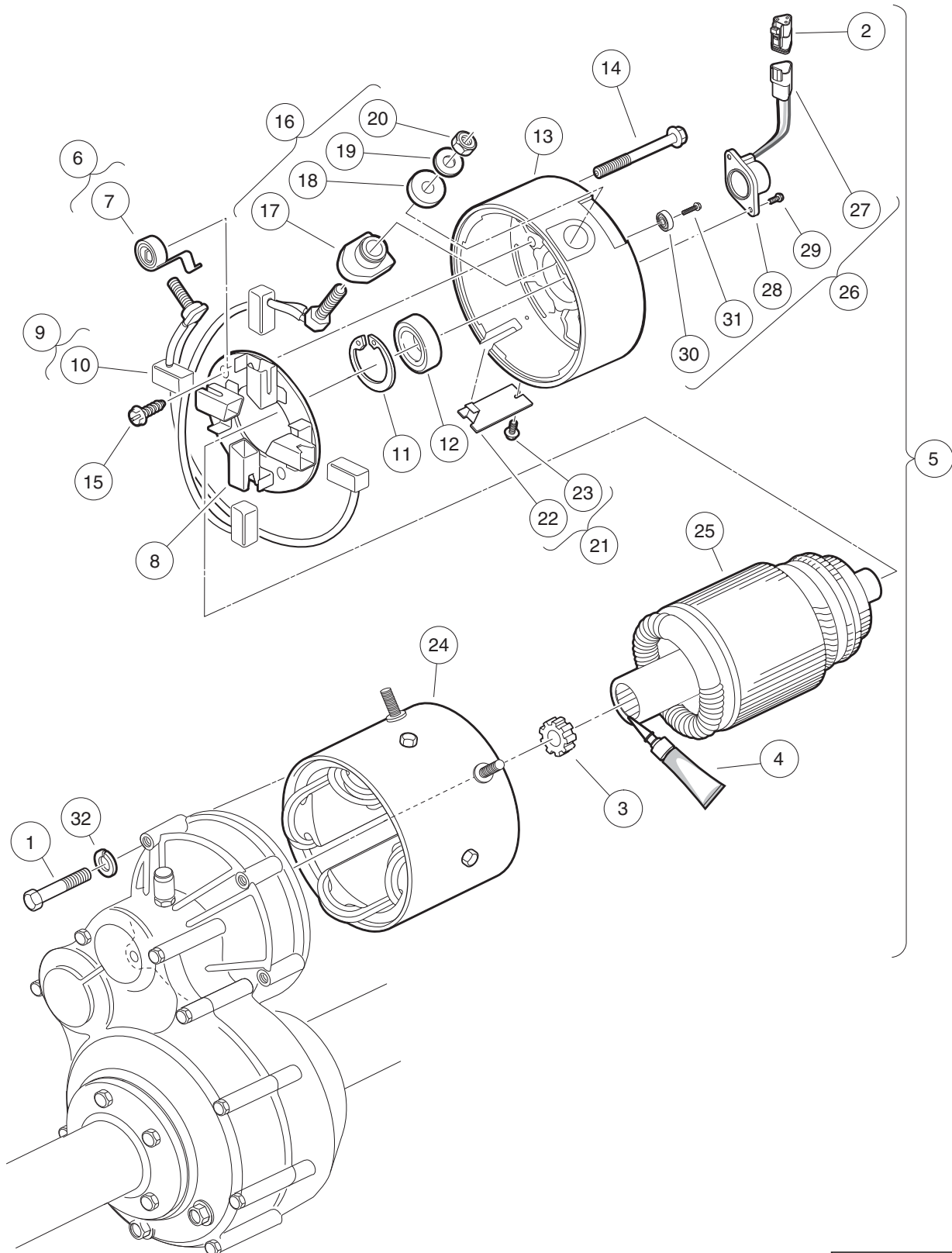
---

14

*E*

14

E



000185-002

## MOTOR (MODEL EJ8-4001A) – ELECTRIC VEHICLE

ITEM	PART NO.	DESCRIPTION	QTY
		<b>1 2 3 4</b>	
1	1014201	Screw, 1/4-20 X 2.25 Hex Cap .....	3
2	101920101	Kit, 3-Pin Wedge Lock .....	1
3	102235201	Bumper, Drive Unit .....	1
4	102243403	Lubricant, Moly-Teflon (Single-Use Tube) .....	1
5	103572501	IQ Electric Motor, 48-VDC 3.3 hp (includes items 6 through 26) .....	1
6	102186001	Spring Kit, Motor Brush (includes item 7) .....	1
7	N/A	Spring, Brush, S-g .....	4
8	102186101	Brush Box Assembly .....	1
9	102186201	Brush Kit, Motor (includes item 10) .....	1
10	N/A	Assembly, Brush and Terminal .....	2
11	N/A	Ring, 2.24" Internal Retaining .....	1
12	102186401	Bearing, Ball .....	1
13	102186701	End Cap, Motor .....	1
14	N/A	Screw, 1/4-20 X 2.25 Hex-Head Washer .....	2
15	102186901	Screw, #8-32 X .5 Hex-Head .....	2
16	102187101	Hardware Kit, Motor Terminal (includes items 17 through 20) .....	2
17	N/A	Bushing, Nylon .....	2
18	N/A	Washer, Nylon Flat .....	2
19	N/A	Washer, Flat, 5/16 Steel .....	2
20	N/A	Nut, Brass Hex, 5/16 - 18 .....	2
21	102187201	Plate Kit, Motor Cover (includes items 22 and 23) .....	1
22	N/A	Assembly, Cover Plate .....	1
23	N/A	Screw, #8-32 x 0.375, Taptite Thread .....	1
24	102704701	Frame and Field Assembly .....	1
25	102704801	Armature Assembly .....	1
26	102704901	Kit, Speed Sensor (includes items 27 through 31) .....	1
27	101942301	Kit, 3-Pin Wedge Lock .....	1
28	N/A	Sensor, Motor Speed, ADC .....	1
29	N/A	Screw, #8-32, Taptite Thread .....	2
30	N/A	Magnet, ADC Motor .....	1
31	N/A	Screw, 1/4-20 x 0.5 .....	1
32	451	Lockwasher, 1/4 Split .....	3
Note: The F1 and F2 terminal posts on the EJ8-4001A motor have 1/4 - 20			

14

E

**14**

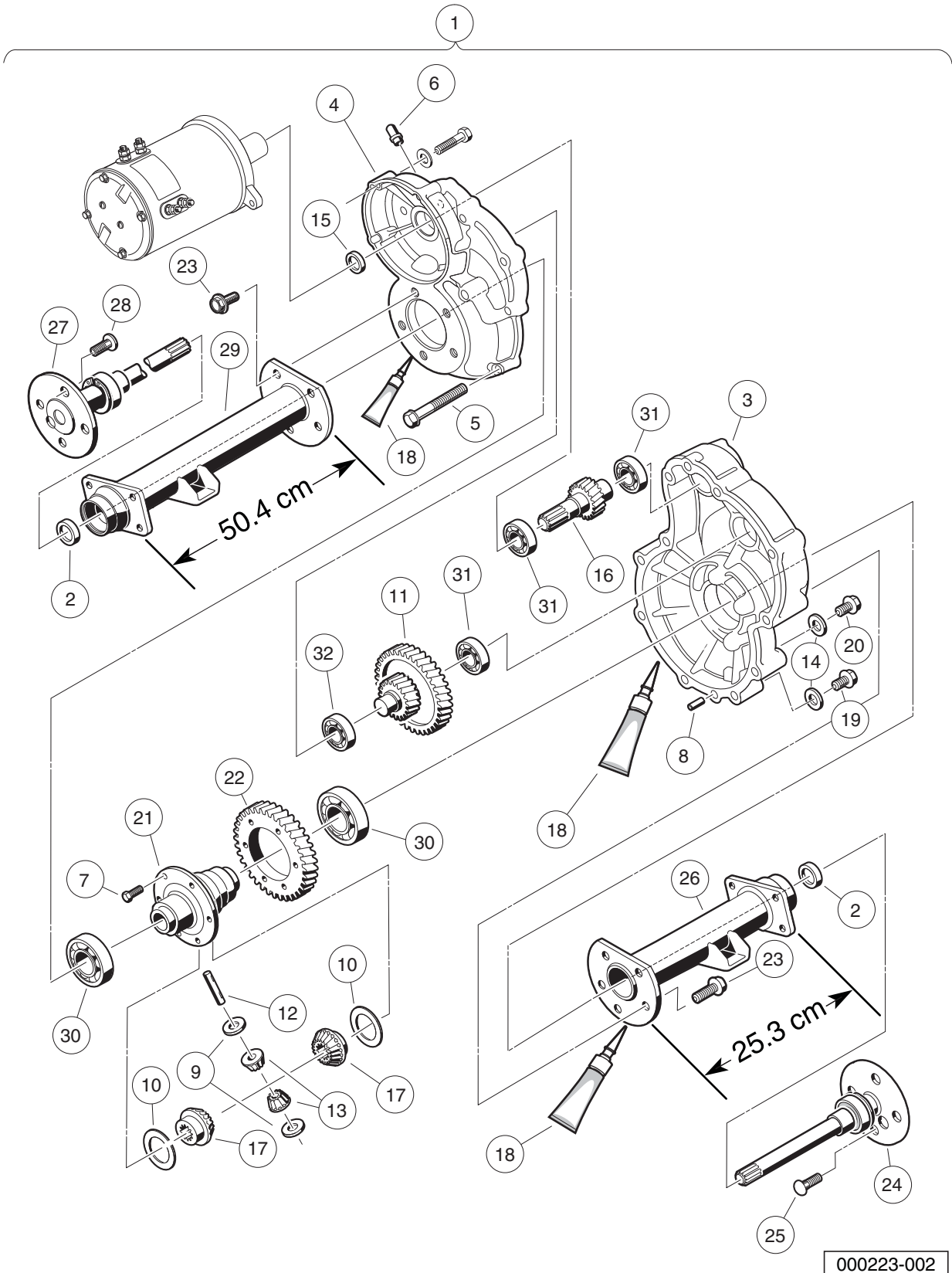
***E***

# TRANSAXLE – ELECTRIC VEHICLES

---

15

E



000223-002

# TRANSAXLE – ELECTRIC VEHICLES

ITEM	PART NO.	DESCRIPTION	QTY
		<b>1 2 3 4</b>	
1	102771701	Transaxle, Electric (includes items 2 through 32) .....	1
2	1013794	Axle Shaft Oil Seal .....	2
3	101895401	Gear Case, Driver-Side .....	1
4	101895501	Gear Case, Passenger-Side .....	1
5	101897001	Screw, M8-1.25 X 60mm Hex-Head .....	11
6	101897201	Breather .....	1
7	101897401	Screw, M10-1.25 X 25mm .....	6
8	101897601	Pin, 11mm OD X 8.5mm ID X 10mm .....	2
9	101903601	Washer, Thrust .....	2
10	101903701	Washer, Thrust .....	2
11	101906901	Intermediate Shaft Assembly .....	1
12	101922101	Pin, 15.99mm X 88.7mm Dowel .....	1
13	101923001	Gear, Differential Idler .....	2
14	101923201	Gasket .....	2
15	101923501	Seal, Lip .....	1
16	N/A	Shaft, Input .....	1
17	101923901	Gear, Differential .....	2
18	101928701	Liquid Gasket (Transaxle case) .....	1
19	101972101	Plug, M14-1.5 X 12mm Magnetic .....	1
20	101972201	Plug, M14-1.5 X 12mm Hex .....	1
21	102356601	Housing, Differential, 6 Bolt .....	1
22	102356801	Gear, Differential Output, 6-Bolt .....	1
23	102357001	Screw, Flg Hd M10 X 1.5 X 30 .....	10
24	102886301	Axle Assembly, Driver-Side (includes item 25) .....	1
25	101922201	Lug Stud .....	4
26	102886401	Tube, Axle, Driver-Side .....	1
27	102886501	Axle Assembly, Passenger-Side (includes item 28) .....	1
28	101922201	Lug Stud .....	4
29	102886601	Tube, Axle, Passenger-Side .....	1
30	7330	Inner Axle Tube Bearing .....	2
31	7335	Bearing .....	3
32	7336	Bearing .....	1

15

E

**15**

***E***

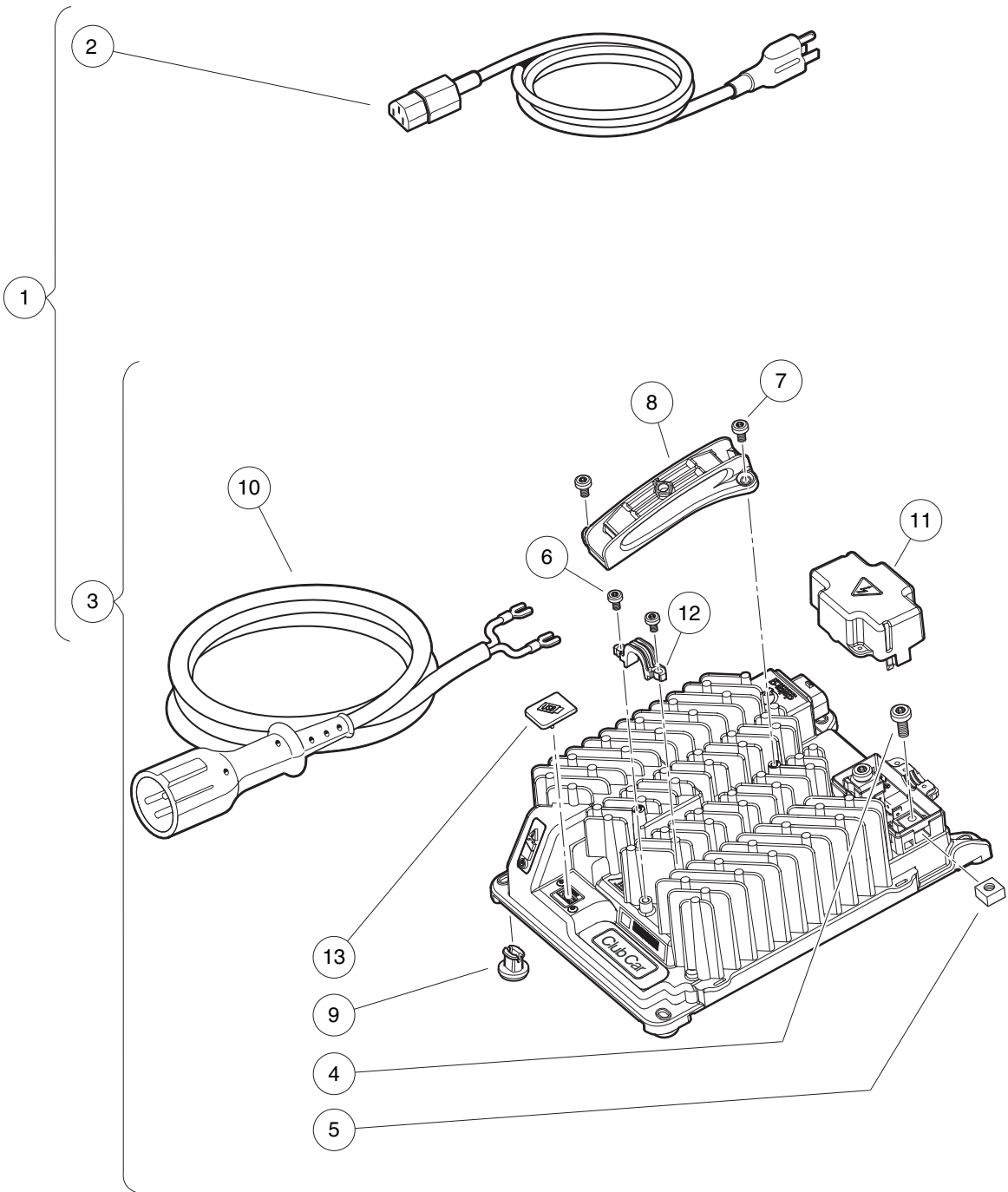


# BATTERY CHARGERS – HIGH-FREQUENCY

---

16

E



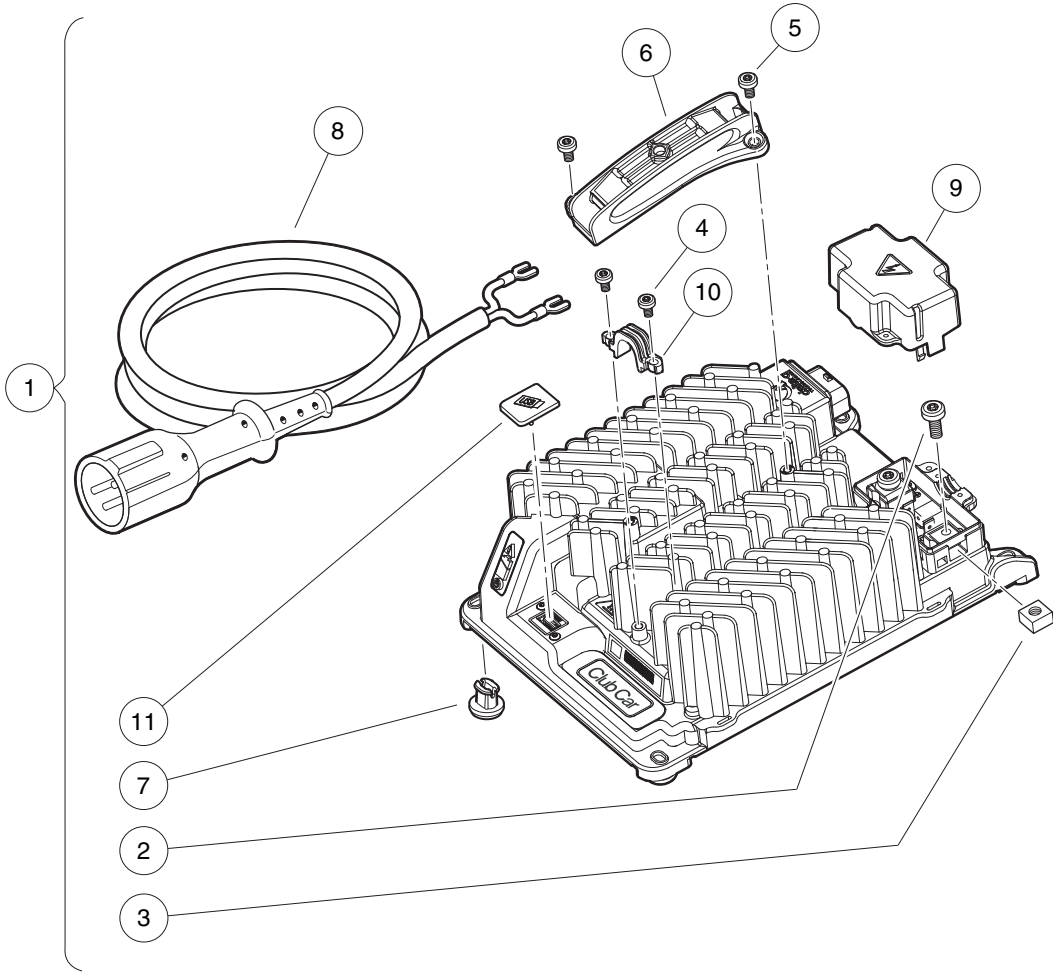
000610-002

## BATTERY CHARGER, HIGH-FREQUENCY – U.S./CANADA

ITEM	PART NO.	DESCRIPTION	QTY
		1 2 3 4	
1	105095201	Charger, High-Freq, Service, 9ft Yel DC, 6ft AC, US/Canada (includes items 2 and 3) .....	1
2	104024201	Cord, AC, Nema To Iec320, 6ft (1.83 m), U.S./Canada .....	1
3	104029601	Charger, Asm, High-Freq, 9ft (2.74 m) Yellow DC Cord (includes items 4 through 13)	1
4	104024501	Screw, M6, Torx Head .....	2
5	104024601	Nut, M6, Square, Captured .....	2
6	104028901	Screw, M4 X .70, Pan Hd, Torx .....	2
7	104029001	Screw, M5 X .80, Pan Hd, Torx .....	2
8	105003601	Handle, Charger, High-Freq .....	1
9	105003701	Foot, Charger, High-Freq .....	4
10	105070101	Cord, DC, Yellow, 9ft (2.74 m) .....	1
11	105092301	Cover, DC Terminal Block, High-Freq Charger .....	1
12	105093101	Strain Relief, High-Freq, External, Charger .....	1
13	105123801	Cover, USB .....	1
<p>Note: This charger includes both an AC cord and DC cord. For additional cord lengths that may be used with this charger, see the Battery Charger Cords page.</p>			

16

E



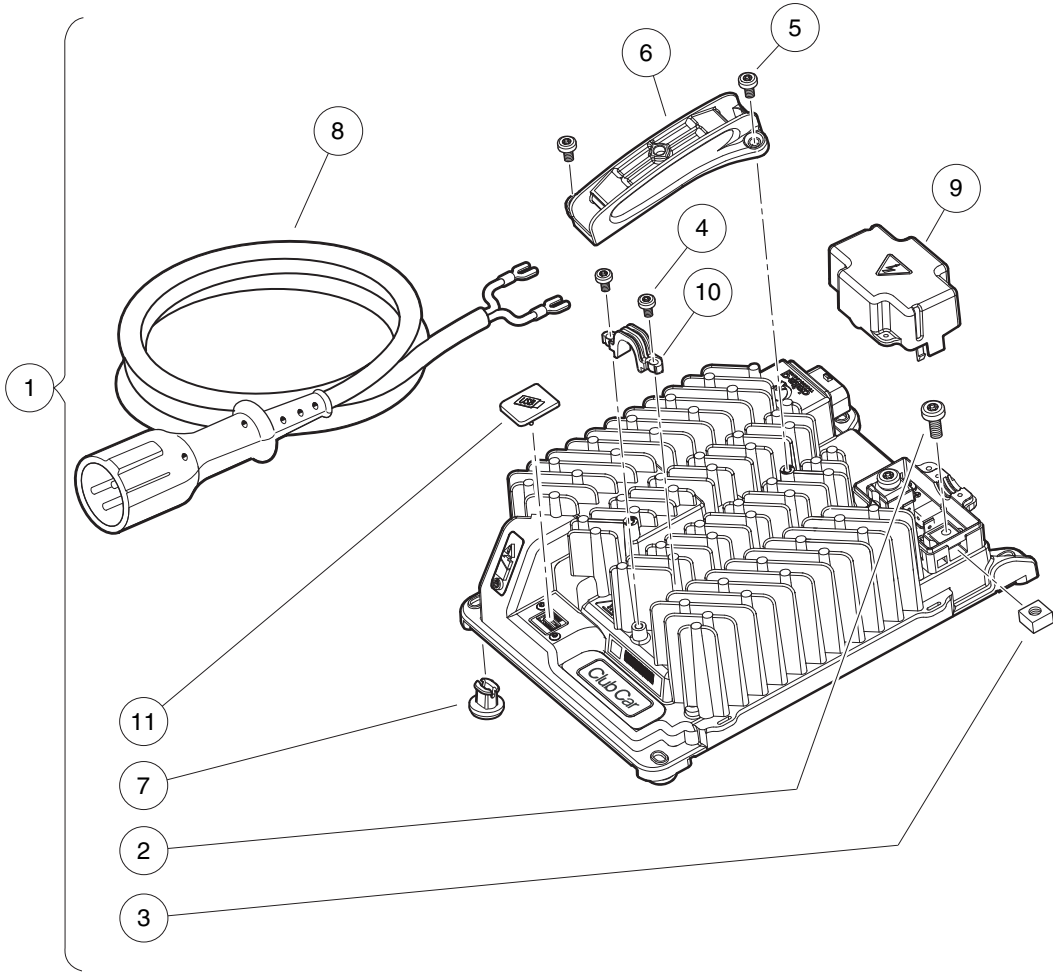
000610-003

# BATTERY CHARGER, HIGH-FREQ., 2.74 M DC CORD – GLOBAL

ITEM	PART NO.	DESCRIPTION	QTY
		<b>1 2 3 4</b>	
1	104029601	Charger, Asm, High-Freq, 9ft (2.74 m) Yellow DC Cord (includes items 2 through 11) .....	1
2	104024501	Screw, M6, Torx Head .....	2
3	104024601	Nut, M6, Square, Captured .....	2
4	104028901	Screw, M4 X .70, Pan Hd, Torx .....	2
5	104029001	Screw, M5 X .80, Pan Hd, Torx .....	2
6	105003601	Handle, Charger, High-Freq .....	1
7	105003701	Foot, Charger, High-Freq .....	4
8	105070101	Cord, DC, Yellow, 9ft (2.74 m) .....	1
9	105092301	Cover, DC Terminal Block, High-Freq Charger .....	1
10	105093101	Strain Relief, High-Freq, External, Charger .....	1
11	105123801	Cover, USB .....	1
<p>Note: This charger does not include the AC cord. To complete the charger, choose the appropriate type and length of AC cord found on the Battery Charger Cords page.</p>			

**16**

**E**



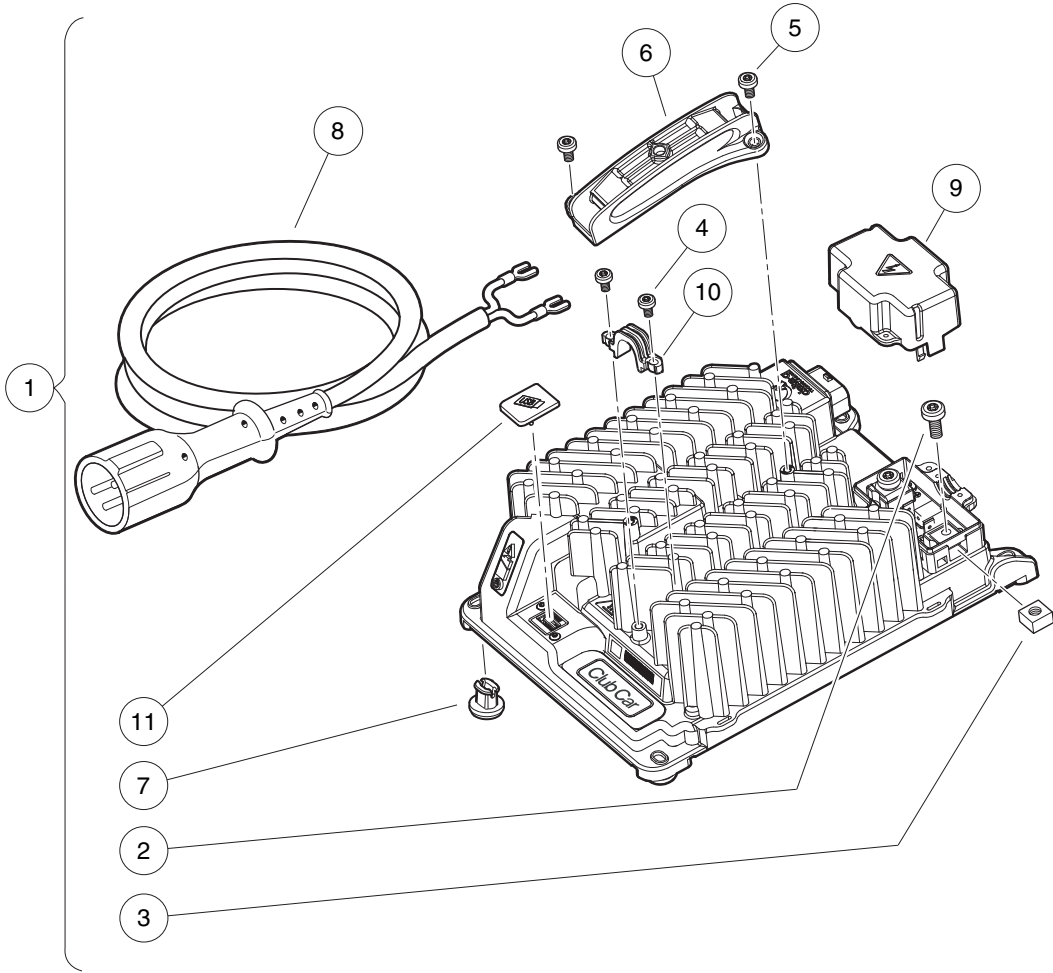
000610-003

# BATTERY CHARGER, HIGH-FREQ., 3.66 M DC CORD – GLOBAL

ITEM	PART NO.	DESCRIPTION	QTY
		<b>1 2 3 4</b>	
1	104029602	Charger, Asm, High-Freq, 12ft (3.66 m) Yellow DC Cord (includes items 2 through 11) ..	1
2	104024501	Screw, M6, Torx Head .....	2
3	104024601	Nut, M6, Square, Captured .....	2
4	104028901	Screw, M4 X .70, Pan Hd, Torx .....	2
5	104029001	Screw, M5 X .80, Pan Hd, Torx .....	2
6	105003601	Handle, Charger, High-Freq .....	1
7	105003701	Foot, Charger, High-Freq .....	4
8	105070102	Cord, DC, Yellow, 12ft (3.66 m) .....	1
9	105092301	Cover, DC Terminal Block, High-Freq Charger .....	1
10	105093101	Strain Relief, High-Freq, External, Charger .....	1
11	105123801	Cover, USB .....	1
<p>Note: This charger does not include the AC cord. To complete the charger, choose the appropriate type and length of AC cord found on the Battery Charger Cords page.</p>			

**16**

**E**



000610-003



# BATTERY CHARGER, HIGH-FREQ., 6.1 M DC CORD – GLOBAL

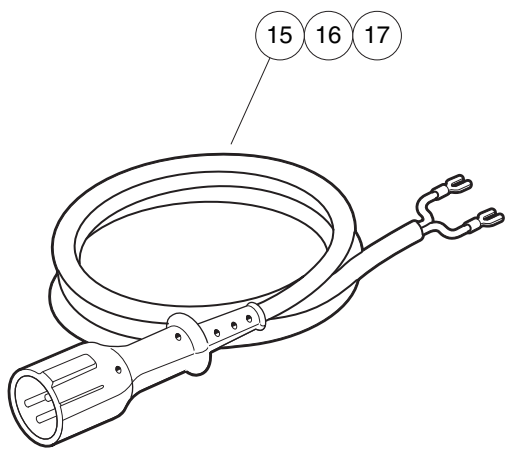
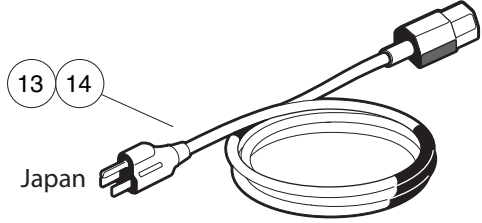
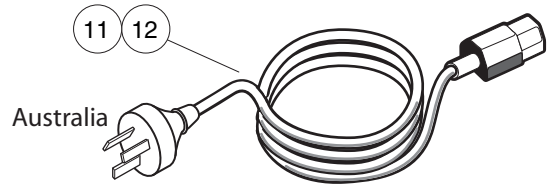
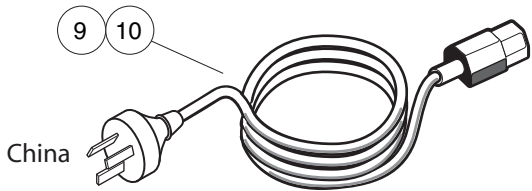
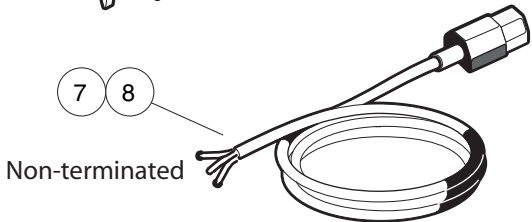
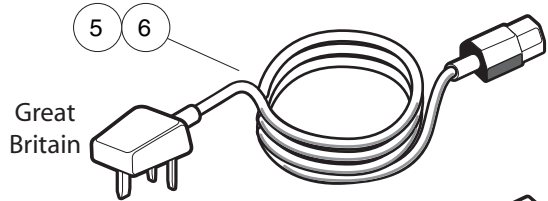
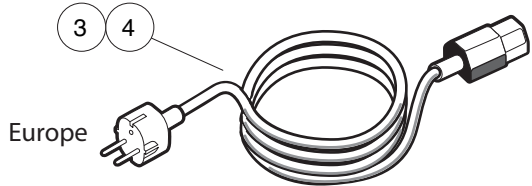
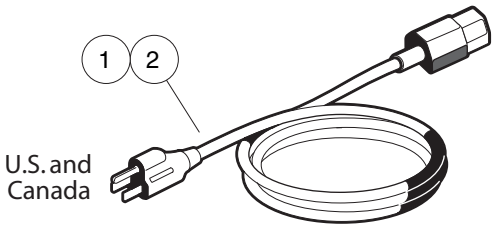
ITEM	PART NO.	DESCRIPTION	QTY
		<b>1 2 3 4</b>	
1	104029603	Charger, Asm, High-Freq, 20ft (6.1 m) Yellow DC Cord (includes items 2 through 11) .....	1
2	104024501	Screw, M6, Torx Head .....	2
3	104024601	Nut, M6, Square, Captured .....	2
4	104028901	Screw, M4 X .70, Pan Hd, Torx .....	2
5	104029001	Screw, M5 X .80, Pan Hd, Torx .....	2
6	105003601	Handle, Charger, High-Freq .....	1
7	105003701	Foot, Charger, High-Freq .....	4
8	105070103	Cord, DC, Yellow, 20ft (6.1 m) .....	1
9	105092301	Cover, DC Terminal Block, High-Freq Charger .....	1
10	105093101	Strain Relief, High-Freq, External, Charger .....	1
11	105123801	Cover, USB .....	1
<p>Note: This charger does not include the AC cord. To complete the charger, choose the appropriate type and length of AC cord found on the Battery Charger Cords page.</p>			

**16**

**E**

16

E



000610-004

## CORDS – BATTERY CHARGER, HIGH-FREQUENCY

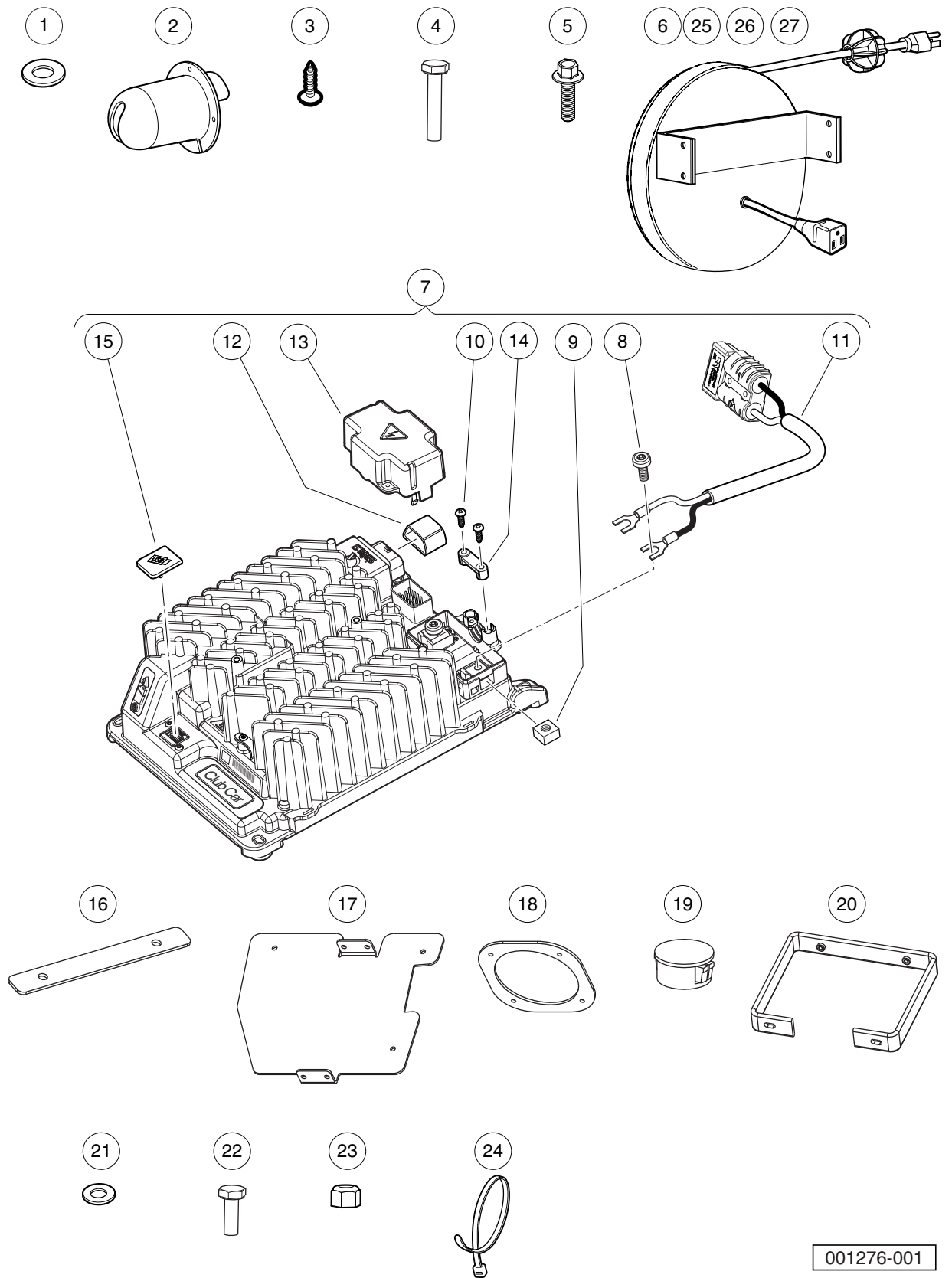
ITEM	PART NO.	DESCRIPTION	QTY
		1 2 3 4	
1	104024201	Cord, AC, Nema To Iec320, 6ft (1.83 m), U.S./Canada .....	A/R
2	104024202	Cord, AC, Nema To Iec320, 9ft (2.74 m), U.S./Canada .....	A/R
3	104024401	Cord, AC, Iec320, 6ft (1.83 m), Europe .....	A/R
4	104024402	Cord, AC, Iec320, 9ft (2.74 m), Europe .....	A/R
5	104028501	Cord, AC, Iec320, 6ft (1.83 m), Great Britain .....	A/R
6	104028502	Cord, AC, Iec320, 9ft (2.74 m), Great Britain .....	A/R
7	104028601	Cord, AC, Iec320, 6ft (1.83 m), Non-terminated .....	A/R
8	104028602	Cord, AC, Iec320, 9ft (2.74 m), Non-terminated .....	A/R
9	105068201	Cord, AC, Iec320, 6ft (1.83 m), China .....	A/R
10	105068202	Cord, AC, Iec320, 9ft (2.74 m), China .....	A/R
11	105068301	Cord, AC, Iec320, 6ft (1.83 m), Australia .....	A/R
12	105068302	Cord, AC, Iec320, 9ft (2.74 m), Australia .....	A/R
13	105068401	Cord, AC, Iec320, 6ft (1.83 m), Japan .....	A/R
14	105068402	Cord, AC, Iec320, 9ft (2.74 m), Japan .....	A/R
15	105070101	Cord, DC, Yellow, 9ft (2.74 m) .....	A/R
16	105070102	Cord, DC, Yellow, 12ft (3.66 m) .....	A/R
17	105070103	Cord, DC, Yellow, 20ft (6.1 m) .....	A/R

16

E

16

E



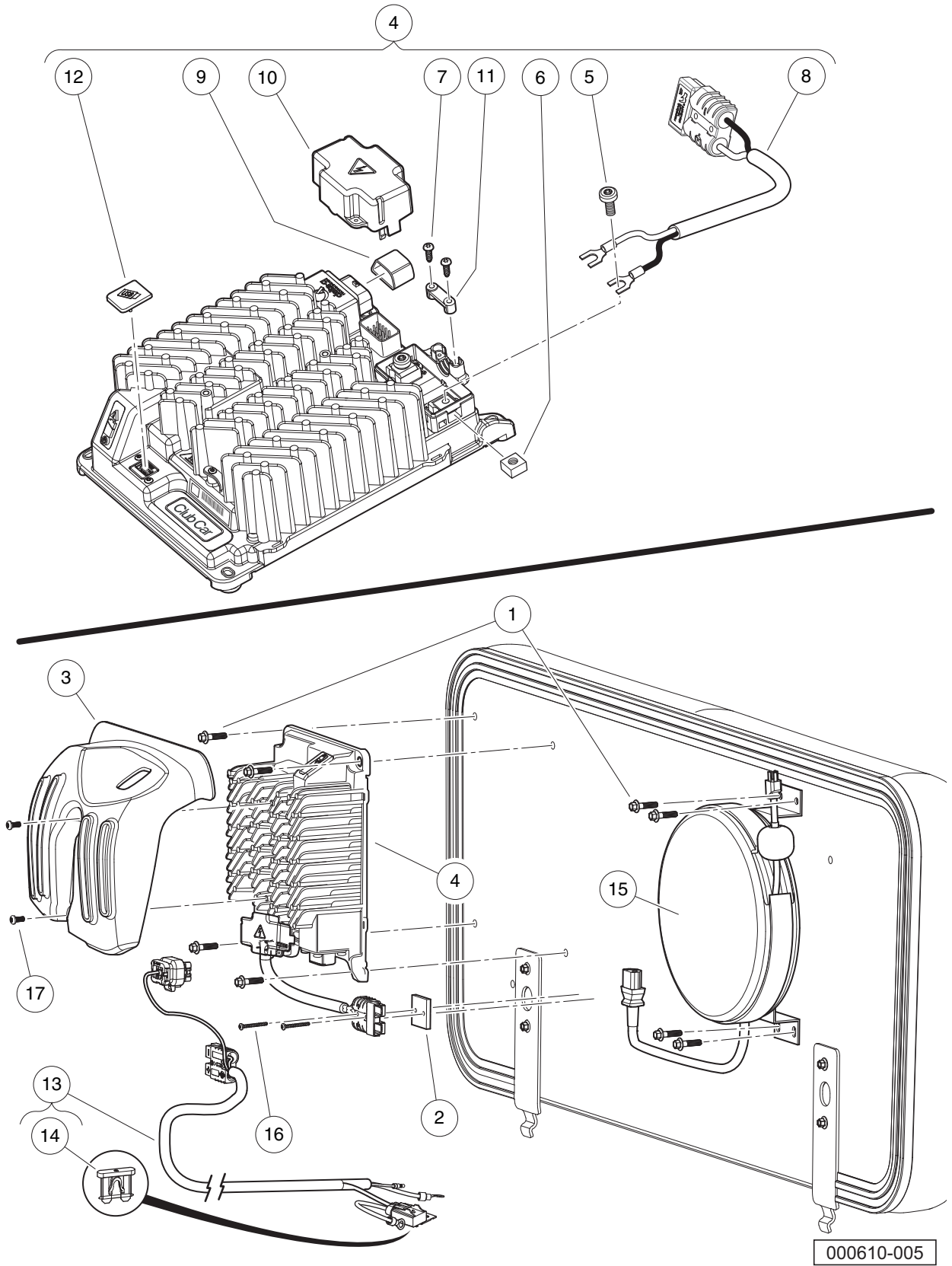
001276-001

# BATTERY CHARGER, HIGH-FREQUENCY – ONBOARD

ITEM	PART NO.	DESCRIPTION	QTY
		<b>1 2 3 4</b>	
1	1014306	Washer, 1/4" Type B Flat .....	3
2	1016673	Housing, Cord Reel .....	1
3	101832001	Screw, #7-19 X 0.625 Phillips Pan-Head Tap .....	4
4	101861901	Screw, 1/4-20 X 1.125 Hex Cap .....	4
5	102541401	Bolt-m6x1.0x20 Hex Flhd Blk-I .....	4
6	103872701	Cord Reel, Hf Charger .....	1
7	105083001	Charger, Asm, High-Freq, Onboard (includes items 8 through 15) .....	1
8	104024501	Screw, M6, Torx Head .....	2
9	104024601	Nut, M6, Square, Captured .....	2
10	104029301	Screw, M3x1.5, Plastic Tapping .....	2
11	105084401	Cord, DC, Onboard .....	1
12	105086801	Sleeve, lec 320 C14 .....	1
13	105092301	Cover, DC Terminal Block, High-Freq Charger .....	1
14	105094101	Strain Relief, DC Block, High-Freq, Onboard, Charger .....	1
15	105123801	Cover, USB .....	1
16	105299001	Plate, Charger, Mtg, Ubdy .....	2
17	105299101	Plate, Cord Reel, Mtg, Unbody .....	1
18	105299601	Plate, Backing, Charge Port .....	1
19	105300801	Plug, Push In, 61/64" Diameter .....	1
20	105315201	Asm, Bracket, Obc Eric Mount .....	2
21	332	Washer, 1/4 Type A Narrow Flat .....	8
22	7847	Screw, 1/4-20 X 0.75 Hex-Head Cap .....	7
23	8233	Locknut, 1/4-20, Nylon Insert .....	4
24	8990	Tie Wrap, 8" Nylon .....	1
25	SVP738601	Cord Reel Retract 3ft 14ga Uk .....	1
26	SVP738701	Cord Reel Retract 3ft 14ga Eu .....	1
27	SVP738801	Cord Reel Retract 3ft 14ga Aus .....	1

**16**

**E**



# BATTERY CHARGER, HIGH-FREQUENCY – ONBOARD (FOR REAR-FACING-SEAT)

ITEM	PART NO.	DESCRIPTION	QTY
		1 2 3 4	
1	102541425	Bolt, M6x1.0x25, Hex Flhd, Blk-I .....	8
2	105082601	Insulation, Thermal .....	1
3	105082801	Shield, Charger, High-Freq .....	1
4	105083001	Charger, Asm, High-Freq, Onboard (includes items 5 through 12) .....	1
5	104024501	Screw, M6, Torx Head .....	2
6	104024601	Nut, M6, Square, Captured .....	2
7	104029301	Screw, M3x1.5, Plastic Tapping .....	2
8	105084401	Cord, DC, Onboard .....	1
9	105086801	Sleeve, lec 320 C14 .....	1
10	105092301	Cover, DC Terminal Block, High-Freq Charger .....	1
11	105094101	Strain Relief, DC Block, High-Freq, Onboard, Charger .....	1
12	105123801	Cover, USB .....	1
13	105084301	Harness, Wire, High-Freq Onboard Charger, 4-Pass (includes item 14) .....	1
14	102492301	Fuse, 30-Amp .....	1
15	105084501	Cord Reel, AC, Retractable, High-Freq Charger, Onboard .....	1
16	105086901	Screw, #6-20 Type Abx1.25 Pan .....	2
17	105101001	Screw, M5-0.8x10, Torx, Trs .....	2
Note: Used on 4-passenger vehicle with rear-facing back seat.			

16

E

**16**

***E***

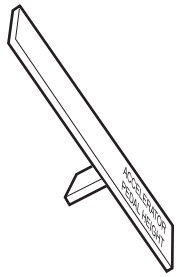


# MAINTENANCE AND SERVICE TOOLS

---

17  
G  
E

**17**  
**G**  
**E**



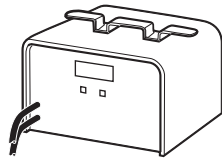
1



2



3



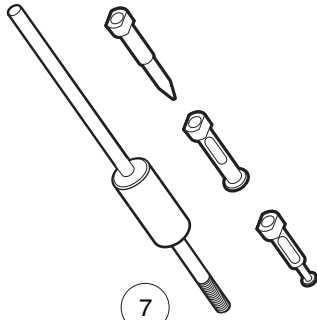
4



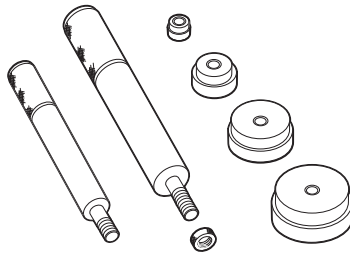
5



6



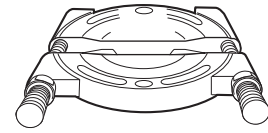
7



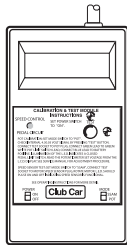
8



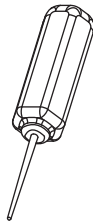
9



10



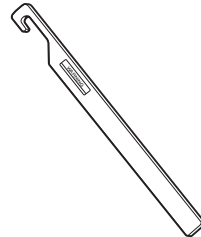
11



12



13



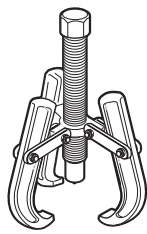
14



15



16



17



18



19

001060-002

# MAINTENANCE AND SERVICE TOOLS

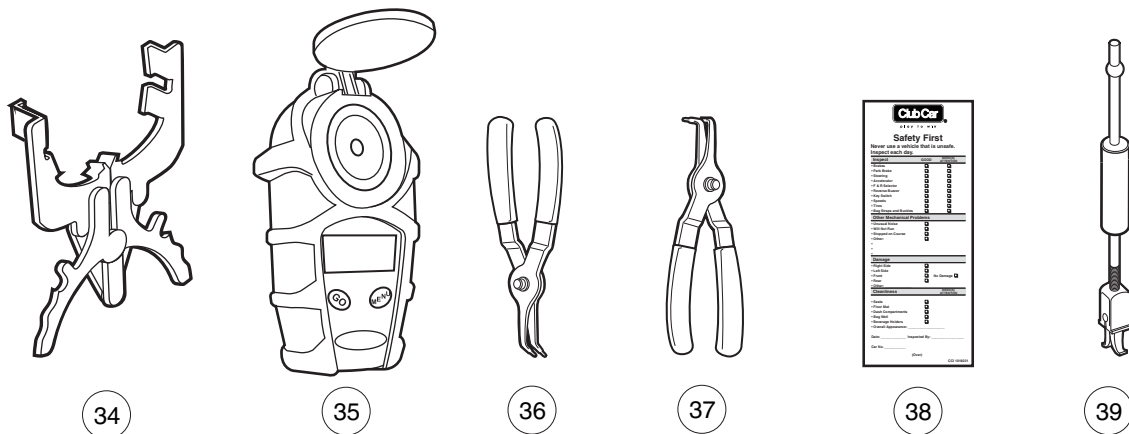
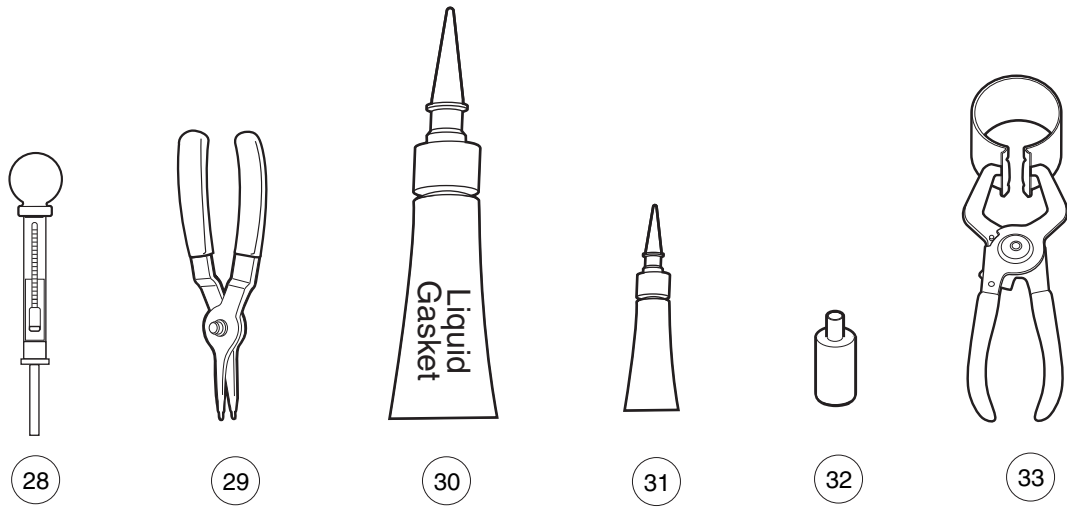
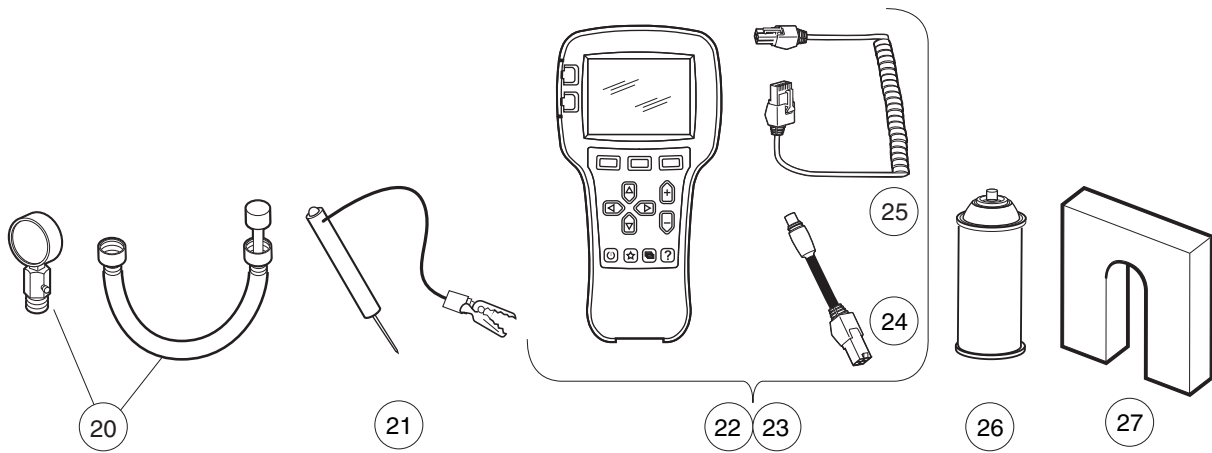
ITEM	PART NO.	DESCRIPTION	QTY GAS	QTY ELEC
		<p><b>1 2 3 4</b></p> <p>The following tool list includes all tools available from Club Car for maintenance and service procedures for gasoline and electric golf and utility vehicles. Be sure to carefully examine the tool list for applicability to your vehicle before ordering.</p>		
1	101871001	Accelerator Pedal Adjustment Tool (Utility Vehicles).....	1	1
2	101813202	Adhesive, Guide Ring, 3-Gram Tube .....		1
3	101641202	Arbor .....	1	
4	101831901	Battery Discharge Machine, 36/48 Volt .....		1
5	1014305	Battery Terminal Protector Spray .....	1	1
6	1011767	Battery Thermometer .....	1	1
7	1016417	Bearing and Oil Seal Remover Assembly .....	1	1
8	1016416	Bearing Driver Set .....	1	1
9	1012811	Bearing Puller .....	1	1
10	1012812	Bearing Puller Wedge Attachment .....	1	1
11	101887101	Calibration Test Module .....		1
12	102562401	Charger Bezel Tool .....		1
		Clutch Tools (items 13 - 19) .....	1	
13	101808401	Clutch Cam Installation Tool (for Subaru and Kawasaki engines) .....	1	
14	105072501	Drive Clutch Holder Tool Assembly (for Subaru and Kawasaki engines) .....	1	
15	1014497	Drive Clutch Hub Puller (for Subaru and Kawasaki engines) .....	1	
16	1014496	Drive Clutch Puller (for Subaru and Kawasaki engines) .....	1	
17	1014508	Driven Clutch Cam Puller (for Subaru and Kawasaki engines) .....	1	
18	1014507	Driven Clutch Puller Plug (for Subaru and Kawasaki engines) .....	1	
19	101809101	Press Weldment (for Subaru and Kawasaki engines) .....	1	
		<p>Please refer to the maintenance and service manual for proper tool application.</p>		

**17**

**G**

**E**

**17**  
**G**  
**E**



001061-002

## MAINTENANCE AND SERVICE TOOLS, CONTINUED

ITEM	PART NO.	DESCRIPTION	QTY GAS	QTY ELEC
		1 2 3 4		
20	101641002	Compression Gauge and Adapter .....	1	
21	1011273	Continuity Tester .....	1	1
22	105234501	Controller Diagnostic Tool (CDT) User Kit (includes items 24 and 25) .....		1
23	105234502	Controller Diagnostic Tool (CDT) OEM Kit ( <b>For Programming IQ System, Excel, and IQ Plus controllers</b> ) (includes items 24 and 25).....		1
24	102251501	Adaptor, Cable .....		1
25	105209601	CDT Cable .....		1
26	1012151	Dry Moly Lubricant .....	1	1
27	1016418	Gear Yoke .....	1	1
28	1011478	Hydrometer .....	1	1
29	1013593	Internal Retaining Ring Pliers .....	1	1
30	101928701	Liquid Gasket (transaxle case) .....	1	1
31	102243402	Moly-Teflon Lubricant (4-oz. (113-gram) tube) .....		1
32	102587201	Paint Pen, Touch-Up, Underbody, Æ Black .....	1	1
33	1016414	Piston Ring Compressor Kit .....	1	
34	1016415	Piston Ring Pliers .....	1	
35	AM1285701	Refractometer .....	1	1
36	1012549	Retaining Ring Pliers, 45→ External .....	1	1
37	1012560	Retaining Ring Pliers, 90→ Internal .....	1	1
38	101823101	Safety First Card (50 per pack) .....	1	1
39	1012809	Seal Puller .....	1	1
		Please refer to the maintenance and service manual for proper tool application.		

17

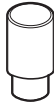
G

E

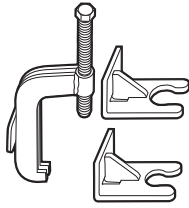
**17**  
**G**  
**E**



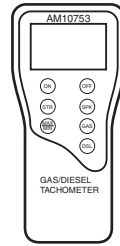
40



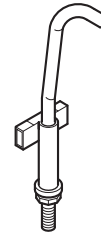
41



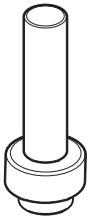
42



43



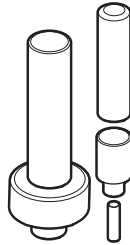
44



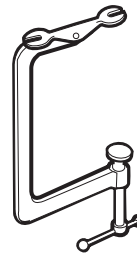
45



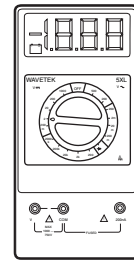
46



47



48



49

001062-001

## MAINTENANCE AND SERVICE TOOLS, CONTINUED

ITEM	PART NO.	DESCRIPTION	QTY GAS	QTY ELEC	
		1 2 3 4			<b>17</b>
40	1014264	Steering Column Bearing Press Tool .....	1	1	<b>G</b>
41	1014259	Steering Column Retaining Ring Tool .....	1	1	<b>E</b>
42	102061201	Steering Wheel Puller Tool .....	1	1	
43	AM10753	Tachometer (includes gasoline engine pick up lead only) .....	1		
44	102570401	Tool, Tensioning, Starter Generator .....	1		
45	1014162	Transaxle Axle Seal Tool (for electric vehicles) .....		1	
46	1014161	Transaxle Pinion Seal Tool (for electric vehicles) .....		1	
47	1014115	Transmission Tool Kit (for electric vehicles).....		1	
48	101641101	Valve Spring Compressor .....	1		
49	1011480	Volt Ohm Meter .....	1	1	
		Please refer to the maintenance and service manual for proper tool application.			





# INDEX

## Part Number and Page

AM10753	17-7	1011478	17-5	1014287	11-5
AM10079	4-9, 4-11	1011480	17-7	1014288	11-5
AM10092	1-63	1011571	4-11	1014289	7-7
AM10419	11-7	1011610	4-11	1014304	13-9, 13-11
AM10682	2-3	1011767	17-3	1014305	17-3
AM1231201	1-29	1012151	17-5	1014306	16-13
AM1263401	2-5	1012180	6-15, 6-19	1014453	11-5
AM1292101	1-29	1012181	6-19	1014454	11-7
AM1300001	13-15	1012182	6-19	1014496	17-3
AM1300101	13-15	1012431	7-17, 12-3	1014497	17-3
AM1300201	13-15	1012505	4-9, 4-11	1014507	17-3
AM1300301	13-15	1012528	10-3, 13-17	1014508	17-3
SVP738601	16-13	1012549	17-5	1014555	6-15, 6-19, 13-9, 13-11
SVP738701	16-13	1012560	17-5	1014727	7-17, 12-3
SVP738801	16-13	1012565	6-3, 6-5	1014789	7-5
183	4-15, 11-5	1012566	6-3, 6-5	1014807	7-17, 12-3
332	1-63, 12-7, 16-13	1012571	1-17	1014902	1-57, 1-59, 1-61
334	11-5	1012594	7-17, 12-3	1014947	13-17
451	14-3	1012649	9-9	1015064	12-3
1016	4-15	1012809	17-5	1015137	9-9
1241	8-5	1012811	17-3	1015524	17-3
1242	5-7, 7-9, 7-11	1012812	17-3	1015583	6-15, 6-19
1620	1-29	1012836	11-7	101558302	6-15, 6-17, 6-19
1624	7-9	1012987	12-3	101587704	9-9
7174	7-9, 10-3	1013042	6-9	1015932	7-9
7310	2-3, 2-5	1013164	6-15, 6-19	1015969	8-9
7311	1-63	1013589	12-3	1016103	8-11
7330	15-3	1013590	12-3	1016154	6-3, 6-5
7335	15-3	1013591	12-3	1016201	11-5
7336	15-3	1013593	17-5	1016214	6-3, 6-5
7591	8-11	1013609	7-11	1016289	11-5
7847	16-13	1013734	13-17	101641002	17-5
7893	4-15, 7-11	1013746	9-9	101641101	17-7
8056	7-17	1013794	15-3	101641202	17-3
8057	7-17, 12-3	1013857	4-11	1016414	17-5
8058	7-17, 12-3	1013924	5-3, 5-5, 8-5	1016415	17-5
8233	1-63, 9-15, 12-7, 12-9, 16-13	1014007	9-15, 12-9	1016416	17-3
8450	11-5	1014051	11-5	1016417	17-3
8639	13-5, 13-21	1014055	11-5	1016418	17-5
8717	12-3	1014056	11-5	1016673	16-13
8754	7-9	1014057	11-5	1016801	11-5
8990	6-9, 12-5, 13-5, 13-21, 16-13	1014058	11-5	1016849	4-9, 4-11
1010145	6-15, 6-17, 6-19	1014059	11-5	1016851	4-9, 4-11
1010434	1-23, 1-53, 1-55, 1-57, 1-59, 1-61, 5-9, 5-11, 5-13, 5-15, 13-11	1014062	11-5	1017041	1-35
1010436	1-29	1014063	11-5	101705701	1-57, 1-59, 1-61, 3-3
1010577	8-5	1014065	11-5, 12-3	1017145	11-7
1010829	5-7	1014072	11-7	1017235	1-57, 1-59, 1-61, 6-19
1010909	4-15	1014078	11-7	1017686	11-7
1010958	13-9, 13-11	1014080	11-7	101791101	5-3
1010984	2-3	1014115	17-7	101808401	17-3
1011114	9-15, 12-9	1014145	12-3	101809101	17-3
1011137	5-5	1014161	17-7	101813202	17-3
1011273	17-5	1014162	17-7	101815501	5-3, 5-5
1011415	6-15, 6-19	1014201	14-3	101815502	5-3, 5-5
		1014259	17-7	101816501	5-3, 5-5
		1014264	17-7	101816502	5-3, 5-5

# INDEX

101823101	17-5	102186101	14-3	9-9	
101823201	5-3, 5-5	102186201	14-3	102297901	5-7
101823801	5-3, 5-5	102186401	14-3	102298020	1-15, 1-17, 13-9, 13-11
101823901	5-3, 5-5	102186701	14-3	102298030	1-19, 1-25, 1-53, 5-9, 5-11, 5-13, 5-15
101824101	8-11	102186901	14-3	102298116	6-7, 8-11
101830701	4-9, 4-11	102187101	14-3	102298130	6-7
101831901	17-3	102187201	14-3	102298170	6-15, 6-19, 6-21
101832001	13-5, 16-13	102196901	4-9	102298175	6-15, 6-17, 6-19
101833401	11-7	102199001	4-11	102298240	1-23, 1-53
101834502	4-9, 4-11	102235201	14-3	102298401	1-3, 1-5, 1-45, 1-47, 6-15, 6-17, 6-19
101834601	8-5	102240501	13-17	102298580	1-3, 6-15, 6-19
101850301	6-3, 6-5	102242101	8-5, 11-7	102298601	1-3, 1-55, 6-15, 6-19
101851101	4-9, 4-11	102243402	17-5	102298716	1-15
101856001	13-7	102243403	14-3	102298720	1-25, 1-55, 1-57, 1-59, 1-61, 4-5
101861901	16-13	102251501	17-5	102298745	1-53, 1-55, 1-57, 1-59, 1-61
101862001	12-7	102274101	12-17	102298995	1-3
101865805	13-11	102279104	1-25	102299065	1-11, 1-45, 1-47, 1-51
101871001	17-3	102287101	6-11	102299360	1-45, 1-47
101884801	8-5	102287601	6-11	102299601	1-45, 1-47
101886101	9-15, 12-9	102287701	6-11	102353201	6-13
101887101	17-3	102288101	6-11, 6-13	102353301	6-13
101895401	15-3	102288201	6-13	102353401	6-13
101895501	15-3	102288401	6-13	102356601	15-3
101897001	15-3	102288701	6-13	102356801	15-3
101897201	15-3	102288801	6-13	102357001	15-3
101897401	15-3	102288901	6-11	102357701	6-13
101897601	15-3	102289001	6-9	102400002	1-45, 1-47, 1-51
101898001	7-11	102289101	6-13	102400102	1-45, 1-47, 1-51
101903601	15-3	102289201	6-13	102410604	8-11, 9-15
101903701	15-3	102289401	6-11	102411203	9-3, 9-5
101906901	15-3	102289501	6-11, 6-13	102411209	9-17
101908401	4-17, 7-13, 13-7	102289601	6-11	102476401	9-15, 12-9
101920101	14-3	102289701	6-11	102478101	1-31, 1-33
101922101	15-3	102289801	6-13	102478201	1-33
101922201	15-3	102289901	6-11	102490301	9-15
101923001	15-3	102290120	6-3, 6-5, 6-7	102491501	11-5, 13-9, 13-11
101923201	15-3	102292101	1-3	102492301	13-5, 16-15
101923501	15-3	102292201	5-9, 5-11, 5-13, 5-15	102498201	9-15, 12-7, 12-9
101923901	15-3	102292356	1-13, 1-15, 13-9, 13-11	102500801	5-9, 5-11, 5-13, 5-15
101928701	15-3, 17-5	102292701	1-15, 1-25	102501402	1-25
101942301	14-3	102292801	5-7	102501403	1-25
101954301	1-21	102296020	1-7, 1-31, 1-33, 4-3, 7-11, 9-3, 9-5, 9-17	102502501	1-7
101960501	3-3	102296040	7-11, 12-3	102504001	1-23
101963401	8-5	102296140	1-39, 1-41, 1-43	102504201	1-23
101972101	15-3	102296150	1-31, 1-33, 1-47	102504301	1-23
101972201	15-3	102296301	1-31, 1-33, 1-37	102504802	1-15
101979101	7-17, 12-3	102296401	1-39, 1-41, 1-43	102505701	1-3, 6-11
101985201	1-35	102296530	1-23, 1-53, 1-57, 1-59, 1-61	102506401	6-15, 6-17, 6-19
101998501	1-21	102296601	1-25	102507801	1-3
102022601	6-9	102296716	13-17	102508202	1-19
102025801	9-7	102296819	1-13	102508401	13-7
102051901	4-11	102296920	13-7	102508601	4-9
102061201	17-7	102297001	1-13	102508901	1-39
102155801	11-7	102297125	9-17	102508902	1-41
102163001	1-37	102297230	1-23, 1-25, 1-29, 1-31, 1-33, 1-35,	102508903	1-43
102186001	14-3				

# INDEX

102511101	4-17, 13-7	102562401	17-3	102958001	13-13
102511601	1-39	102565201	6-9	102967901	1-25
102511602	1-41	102566001	6-9	103146501	6-21
102511603	1-43	102569302	2-3	103196001	1-45, 1-47, 1-51
102513501	1-45, 1-47	102569311	2-3	103198401	7-13
102514702	9-3, 9-5	102570401	17-7	103199301	1-45, 1-51
102515101	4-11	102570905	1-57	103200301	1-45, 1-47
102516901	1-19	102570906	1-59	103205101	1-39, 1-41, 1-43
102517001	1-23	102570907	1-61	103205501	3-3, 7-13
102517501	4-5	102571202	13-11	103210101	1-39, 1-41, 1-43
102517601	4-7	102572401	4-9	103286201	1-49
102517901	3-3	102573101	1-53, 1-57, 1-59, 1-61	103286202	1-49
102519301	3-3	102581201	1-51	103286203	1-49
102521401	9-17	102582401	1-31, 1-33, 1-37	103325001	1-5
102521901	1-15	102584701	1-55, 1-57, 1-59, 1-61	103327601	1-23
102522901	4-11	102584801	1-55, 1-57, 1-59, 1-61	103347101	7-7
102526201	12-3	102587201	17-5	103347301	7-7
102528901	4-19	102588501	6-15, 6-17, 6-19	103347601	7-7
102529001	4-19	102588601	6-11	103347701	7-7
102529201	4-5, 4-7	102594301	5-7	103347801	7-7
102531001	1-55, 1-57, 1-59, 1-61	102594801	5-9, 5-11, 5-13, 5-15	103347901	7-7
102531402	1-55, 1-57, 1-59, 1-61	102594901	5-9, 5-11, 5-13, 5-15	103357701	13-9, 13-11
102531502	1-53, 1-57, 1-59, 1-61	102595201	5-9, 5-11, 5-13, 5-15	103367901	13-17
102534201	1-5, 1-55, 1-57, 1-59, 1-61	102595301	5-9, 5-11, 5-13, 5-15	103368301	13-9, 13-11
102534801	1-57, 1-59, 1-61, 6-19	102595401	5-9, 5-11, 5-13, 5-15	103368401	13-9, 13-11
102535401	4-7	102595502	5-9, 7-3	103372101	9-3, 9-5
102536103	1-35	102595901	5-9, 5-11, 5-13, 5-15	103372401	9-9
102536601	4-11	102596001	5-9, 5-11, 5-13, 5-15	103374801	13-9, 13-11
102536602	4-11	102596301	5-11, 5-13, 5-15	103375301	13-9, 13-11
102536604	4-11	102617201	8-5, 10-3	103375402	13-5
102538601	13-5	102617801	12-17	103375702	13-5
102538803	1-29	102621501	1-51	103380201	5-3, 5-5
102540301	8-5	102670701	6-17	103380202	5-3, 5-5
102540601	2-5	102704701	14-3	103384601	3-3
102540701	2-5	102704801	14-3	103384701	3-3
102541401	1-29, 1-35, 16-13	102704901	14-3	103384801	3-3
102541402	8-11	102732401	8-5	103388501	6-11
102541425	1-31, 1-33, 1-51, 1-53, 1-57, 1-59, 1-61, 16-15	102771701	15-3	103395505	13-13
102543903	1-11	102803301	7-11	103397901	4-5
102544201	1-11, 1-45, 1-47, 1-51	102838701	7-7	103402701	1-13
102551901	5-7	102838801	7-7	103414901	4-5
102552001	5-7	102838901	7-7	103449501	13-21
102554901	13-5	102839001	7-7	103449601	13-21
102556701	2-5	102839301	7-7	103451301	1-31, 1-33
102556801	2-5	102841101	7-7	103451401	1-31, 1-33
102557201	1-13	102844601	7-7	103451901	1-33
102558201	8-3, 9-17	102844701	7-7	103451902	1-33
102558301	9-17	102865901	13-17	103451903	1-33
102558501	9-17	102878201	6-13	103459104	2-3
102558601	9-17	102886301	15-3	103470701	9-3, 9-5
102558701	9-17	102886401	15-3	103483101	5-3, 5-5
102559401	5-9, 5-11, 5-13, 5-15	102886501	15-3	103483102	5-3, 5-5
102559701	5-9, 5-11, 5-13, 5-15	102886601	15-3	103483201	5-3, 5-5
102559901	2-3	102915601	1-13	103483401	5-3, 5-5
102559902	2-3	102947601	1-37	103483601	5-3, 5-5
		102956201	6-11, 6-13	103483701	5-3, 5-5

# INDEX

103508101	8-5	103833801	1-21	103982002	9-15
103510602	13-13	103833901	1-21	103982201	8-5
103528701	5-7	103853121	1-23, 1-53, 1-57	103982301	13-17
103528702	5-7	103853122	1-23, 1-53, 1-59	103983501	9-13
103535001	5-7	103853124	1-23, 1-53, 1-61	103984601	11-5
103572501	14-3	103853125	1-23, 1-53	103989501	12-17
103597101	4-5	103866801	1-53	103989901	12-19
103624601	1-57, 1-59, 1-61	103866802	1-53	103990501	1-3
103624602	1-57, 1-59, 1-61	103866901	1-53, 1-57, 1-59, 1-61	103990502	1-3
103635201	1-15	103866902	1-53, 1-57, 1-59, 1-61	103990601	1-3
103638601	6-13	103872701	16-13	103991501	4-9
103638701	6-13	103874111	5-15	103994101	1-29
103638702	6-13	103879701	12-11	103995001	12-17
103638801	6-13	103882802	8-5	103995901	8-9
103638901	1-3	103886601	12-5	104005301	7-9
103647402	13-9, 13-11	103886801	1-35	104005901	13-15
103647403	13-9, 13-11	103896606	9-9	104006101	13-15
103653001	1-53, 1-57, 1-59, 1-61	103905201	9-3, 9-5	104008001	1-39
103653201	1-51	103921601	6-15	104008002	1-41
103662801	1-29	103921602	6-15	104008003	1-43
103677101	1-37	103922401	1-55, 1-57, 1-59, 1-61	104008501	1-45
103679701	6-9	103924301	4-11	104008503	1-47
103694501	2-3	103924401	4-11	104008901	1-45
103699401	1-23	103924801	7-5, 13-5	104021701	12-17
103724501	6-5	103926601	1-3	104023201	13-5
103724503	6-3	103929301	1-23	104023421	1-21
103724601	6-3, 6-5	103929302	1-23	104023422	1-21
103724901	6-3, 6-5	103934901	2-5	104023424	1-21
103725701	1-51	103935001	2-5	104023425	1-21
103742303	1-57, 1-59, 1-61	103935601	6-13	104023501	9-15, 12-9
103742304	6-17	103943401	5-15, 13-3	104024001	13-5
103742305	6-15	103944301	9-3, 9-5	104024201	16-3, 16-11
103742306	6-19	103951001	2-3	104024202	16-11
103750001	1-45, 1-47, 1-51	103951002	2-3	104024401	16-11
103750101	1-45, 1-47, 1-51	103951007	2-3	104024402	16-11
103754901	1-37	103951501	12-17	104024501	16-3, 16-5, 16-7, 16-9, 16-13, 16-15
103756401	9-9	103952901	1-23	104024601	16-3, 16-5, 16-7, 16-9, 16-13, 16-15
103765601	13-9, 13-11	103953301	7-7	104025101	11-7
103774701	13-13	103964901	6-15, 6-19	104027101	12-17
103777601	5-9, 5-11, 5-13, 5-15, 7-3	103965001	6-15, 6-19	104028501	16-11
103783001	3-3, 6-3, 6-5	103973901	11-5	104028502	16-11
103783002	3-5, 6-3, 6-5	103974002	11-7	104028601	16-11
103783003	6-3	103974201	11-5	104028602	16-11
103795001	9-17	103974401	11-5	104028901	16-3, 16-5, 16-7, 16-9
103796701	6-3	103974815	5-9	104029001	16-3, 16-5, 16-7, 16-9
103810201	6-7	103974821	5-11, 5-13	104029301	16-13, 16-15
103812901	1-25	103974901	5-9, 5-11, 5-13, 5-15	104029601	16-3, 16-5
103813001	1-25	103975011	5-15	104029602	16-7
103816401	1-51	103975301	11-7	104029603	16-9
103816402	1-51	103975901	1-3	105003601	16-3, 16-5, 16-7, 16-9
103826201	6-9	103976101	11-5	105003701	16-3, 16-5, 16-7, 16-9
103826301	6-9	103978001	9-15	105005001	13-17
103832401	2-5	103978801	1-23	105005402	1-17
103832901	1-21	103979301	12-17	105008101	7-5
103833601	1-21	103979401	8-5	105008301	7-5
103833701	1-21	103982001	9-15	105009001	9-17

# INDEX

105009201	9-17	105015601	8-19	105027801	12-13
105010001	8-21	105015701	8-19	105027901	12-13
105010101	8-17	105015801	8-19	105028001	12-13
105010201	8-17	105015901	8-19	105028101	12-15
105010301	8-17	105016001	8-13, 8-19	105028201	12-13
105010401	8-21	105016101	9-13	105028301	12-11
105010501	8-21	105016201	9-13	105028401	12-13
105010601	8-21	105016301	9-13	105028501	12-11
105010701	8-21	105016401	9-13	105028601	12-13
105010801	8-17	105016501	9-13	105028701	12-13
105010901	8-17, 9-13	105016701	8-9	105028801	12-13
105011001	8-21	105016801	8-9	105028901	12-13
105011101	8-21	105016901	8-9	105029001	12-13
105011201	8-21	105017001	8-9	105029101	12-13
105011301	8-21	105017101	8-9	105029201	12-13
105011401	8-21	105017201	9-11	105029301	12-15
105011501	8-21	105017301	8-13	105029401	12-15
105011601	8-21	105017401	8-13	105029501	12-15
105011701	8-21	105017501	8-13	105029601	12-15
105011801	8-21	105017601	8-13	105029701	12-15
105011901	8-17	105017701	8-13	105029801	12-15
105012001	8-17	105017901	8-13	105029901	12-15
105012101	8-17	105018001	8-15	105030001	12-11
105012201	8-17	105018101	8-15	105030301	12-15
105012301	8-17	105018201	8-15	105030401	12-15
105012501	8-21	105018301	8-15	105030501	12-15
105012601	8-9, 8-15, 8-17	105018401	8-15	105030601	12-15
105012701	8-23	105018501	8-17	105030701	12-11
105012801	8-23	105025001	12-11	105030801	12-15
105012901	8-23	105025101	12-11	105030901	12-13
105013001	8-23	105025201	12-11	105031001	12-15
105013101	8-23	105025301	12-11	105037101	4-11
105013201	8-23	105025401	12-11	105037501	12-3
105013301	8-23	105025501	12-11	105037601	12-3
105013401	8-23	105025601	12-11	105037701	12-3
105013501	8-23	105025701	12-11	105038501	12-3
105013601	8-23	105025801	12-11	105038801	12-5
105013701	8-23	105025901	12-11	105039801	12-3
105013801	8-23	105026001	12-11	105040401	12-3
105013901	8-23	105026101	12-11	105040901	12-7
105014001	8-23	105026201	12-11	105041101	12-3
105014101	8-23	105026301	12-11	105043401	9-7
105014201	8-19	105026401	12-11	105043601	9-3, 9-5
105014301	8-19	105026501	12-11	105043801	9-7
105014401	8-19	105026601	12-11	105043901	9-7
105014501	8-19	105026701	12-11	105049001	6-7
105014601	8-19	105026801	12-11	105066001	12-15
105014701	8-19	105026901	12-11	105066101	12-15
105014801	8-19	105027001	12-11	105067501	3-5
105014901	8-19	105027101	12-11	105068201	16-11
105015001	8-19	105027201	12-11	105068202	16-11
105015101	8-19	105027301	12-11	105068301	16-11
105015201	8-19	105027401	12-13	105068302	16-11
105015301	8-19	105027501	12-13	105068401	16-11
105015401	8-19	105027601	12-13	105068402	16-11
105015501	8-19	105027701	12-13	105068601	6-7

# INDEX

105070101	16-3, 16-5, 16-11	105215502	9-3	47542668001	1-37
105070102	16-7, 16-11	105223321	1-21	47542668002	1-37
105070103	16-9, 16-11	105223322	1-21	47546044001	9-3, 9-5
105070501	3-5	105223323	1-21	47554735001	4-17
105072201	9-3, 9-5	105223324	1-21	47554736001	1-47, 4-17
105073001	9-7	105223325	1-21	47555612001	4-17
105074101	12-3	105223326	1-21	47557751001	4-17
105075301	8-11	105223327	1-21	47559264001	1-47
105076201	10-3	105223328	1-21	47559264002	1-47
105081501	7-5	105223421	1-23	47559265001	1-47
105081601	7-5	105223422	1-23	47559268001	1-47
105082601	16-15	105223423	1-23	47560030001	13-19
105082801	16-15	105223424	1-23	47560464001	9-9
105083001	16-13, 16-15	105223425	1-23	47561477001	1-47
105084301	16-15	105223426	1-23	47562746001	4-5
105084401	16-13, 16-15	105223427	1-23	47565234003	4-3
105084501	16-15	105223428	1-23	47565234004	4-3
105084801	8-11	105228801	7-5	47568658001	7-5
105086801	16-13, 16-15	105234501	17-5	47574837001	4-5
105086901	16-15	105234502	17-5	47576196001	6-17
105092301	16-3, 16-5, 16-7, 16-9, 16-13, 16-15	105234801	12-11, 12-13	47576649001	6-21
105093101	16-3, 16-5, 16-7, 16-9	105234901	12-11, 12-13	47576650001	6-21
105094101	16-13, 16-15	105237399	7-11	47576651001	6-21
105095201	16-3	105245801	11-3	47576652001	6-21
105096101	11-5	105255501	7-5	47576652002	6-21
105101001	16-15	105255601	7-5	47577864001	6-21
105101221	1-53, 1-57	105262401	8-5	47577865001	6-21
105101222	1-53, 1-59	105282901	9-7	47579096001	6-15, 6-17, 6-19
105101224	1-53, 1-61	105282902	9-7	47580172001	4-5
105101225	1-53	105282903	9-7	47583665001	6-17
105102601	7-17	105284001	1-31	47583666001	6-17
105116301	5-15, 13-3	105284801	9-9	47583912001	6-17
105123801	16-3, 16-5, 16-7, 16-9, 16-13, 16-15	105288901	1-63	47587715001	7-15
105134601	8-5	105289701	1-37	47589916001	1-7
105135101	9-15, 12-7	105291501	1-15	47589916002	1-7
105136501	7-13	105291701	1-31	47589916003	1-7
105137401	13-5	105291702	1-31	47589916004	1-7
105138301	13-9, 13-11	105291703	1-31	47589916005	1-7
105142401	2-3	105299001	16-13	47589916006	1-7
105143301	7-5, 9-3, 9-5	105299101	16-13	47589916007	1-7
105144401	9-15, 12-9	105299601	16-13	47589916008	1-7
105149301	8-5	105300801	16-13	47589916009	1-7
105152301	4-9	105313801	1-63	47589916010	1-7
105161701	7-5, 7-7	105314001	1-15	47589916101	1-7
105166801	13-15	105314101	1-15	47589916102	1-7
105166901	13-15	105315201	16-13	47589916103	1-7
105167001	13-15	4 pass conversion kit, beige	1-57	47589916104	1-7
105167101	13-15	4 pass conversion kit, gray	1-61	47589916105	1-7
105168501	13-15	4 pass conversion kit, white	1-59	47589916106	1-7
105168601	13-15	47539338001	7-9	47589916107	1-7
105187901	6-13	47539956001	8-3, 8-13	47589916108	1-7
105188185	6-15, 6-17, 6-19	47539957001	10-3	47589916109	1-7
105188701	6-17	47540040001	8-7, 8-17	47589916110	1-7
105190101	7-7	47542195001	5-3, 5-5	47589916111	1-7
105209601	17-5	47542667001	1-37	47589916201	1-7
105215501	9-5	47542667002	1-37	47589916202	1-7

# INDEX

- 47589916203 1-7
  - 47589916204 1-7
  - 47589916205 1-7
  - 47589916206 1-7
  - 47589916207 1-7
  - 47589916208 1-7
  - 47589916209 1-7
  - 47589916210 1-7
  - 47589916301 1-7
  - 47589916302 1-7
  - 47589916303 1-7
  - 47589916304 1-7
  - 47589916305 1-7
  - 47589916306 1-7
  - 47589916307 1-7
  - 47589916308 1-7
  - 47589916309 1-7
  - 47589916310 1-7
  - 47589916311 1-7
  - 47589917001 1-9
  - 47589918001 1-5
  - 47589919001 1-25
  - 47589919002 1-25
  - 47589919003 1-25
  - 47589919004 1-25
  - 47589919005 1-25
  - 47589919006 1-25
  - 47589919007 1-25
  - 47589919008 1-25
  - 47589919009 1-25
  - 47589919010 1-25
  - 47589919101 1-25
  - 47589919102 1-25
  - 47589919103 1-25
  - 47589919104 1-25
  - 47589919105 1-25
  - 47589919106 1-25
  - 47589919107 1-25
  - 47589919108 1-25
  - 47589919109 1-25
  - 47589919110 1-25
  - 47589919111 1-25
  - 47589919112 1-25
  - 47589919113 1-25
  - 47589919114 1-25
  - 47589919201 1-25
  - 47589919202 1-25
  - 47589919203 1-25
  - 47589919204 1-25
  - 47589919205 1-25
  - 47589919206 1-25
  - 47589919207 1-25
  - 47589919208 1-25
  - 47589919209 1-25
  - 47589919210 1-27
  - 47589919301 1-27
  - 47589919302 1-27
  - 47589919303 1-27
  - 47589919304 1-27
  - 47589919305 1-27
  - 47589919306 1-27
  - 47589919307 1-27
  - 47589919308 1-27
  - 47589919309 1-27
  - 47589919310 1-27
  - 47589919311 1-27
  - 47589919312 1-27
  - 47589919313 1-27
  - 47589919314 1-27
  - 47589922001 1-11
  - 47589922002 1-11
  - 47593000001 1-9
  - 47593002001 4-3
  - 47593002002 4-3
  - 47594727001 4-13
  - 47597567001 2-5
  - 47599382001 8-7
  - 47600421001 8-7
  - 47600422001 8-7
  - 47600423001 8-7
  - 47603573001 2-5
  - 47604229001 7-15
  - 47604230001 13-19
  - 47604303001 4-15
  - 47604926001 1-5
  - 47605157001 2-5
  - 47605590001 1-9
  - 47605590002 1-9
  - 47613414003 4-9
  - 47613414004 4-9
  - 47613414009 4-9
  - 47614573001 3-7
  - 47614573002 3-7
  - 47614573003 3-7
  - 47614573004 3-7
  - 47614573005 3-7
  - 47614573006 3-7
  - 47623580001 3-7
  - 47623580002 3-7
  - 96704176 4-13
  - 96741046 8-5
- A**
- A-arm, three-piece 6-11
  - absorber, front shock 6-11
  - absorber, rear shock 6-15, 6-17, 6-19
  - AC cord 16-3, 16-11
  - accelerator cable 9-15
  - accelerator pedal 5-9, 5-11, 5-13, 5-15, 7-3
  - accelerator pedal adjustment tool 17-3
  - access panel 1-25
  - adapter
    - air intake 9-13
    - cable (IQDM) 17-5
  - adhesive, guide ring 17-3
  - air cleaner assembly 9-17
  - air deflector 8-11
  - air filter 8-3, 9-17
  - air filter canister evacuation valve 9-17
  - air intake adapter 9-13
  - air intake cover 9-17
  - air intake hose 9-17
  - AM1285701 17-5
  - arbor 17-3
  - arm
    - governor 9-15, 12-9
  - armature 14-3
  - armrest 1-21
  - assembly
    - brake lever 5-3, 5-5
    - drive hub 11-5
    - driven clutch 11-7
    - frame and field (motor) 14-3
    - fuel cap 9-3, 9-5
    - fuel pump 9-7
    - moveable-face 11-5, 11-7
    - secondary clutch weight 11-5
  - axle 15-3
  - axle shaft 12-15
  - axle shaft oil seal 15-3
  - axle tube 12-15, 15-3
- B**
- backing plate, brake 5-3, 5-5
  - backrest, beige 1-23, 1-53, 1-57
  - backrest, black 1-23, 1-53
  - backrest, gray 1-23, 1-53, 1-61
  - backrest, white 1-23, 1-53, 1-59
  - baffle
    - crankcase 8-9
  - bag hoop 1-23
  - bag strap 1-23
  - bag strap buckle 1-23
  - balance shaft 8-23
  - ball bearing 7-7, 12-13, 12-15
  - ball joint, inner 6-9
  - barrel, plastic 1-23, 1-53, 1-55, 1-57, 1-59, 1-61, 5-9, 5-11, 5-13, 5-15, 13-11
  - basket 1-47
  - battery
    - 8-volt, GC8 Type E 13-9, 13-11
  - battery bucket 13-9, 13-11
  - battery charger 16-3, 16-5, 16-7, 16-9, 16-13, 16-15
  - battery charger wire harness
    - onboard 16-15
  - battery clamp 7-11
  - battery cross rod tube 13-9, 13-11

# INDEX

- battery discharge machine 17-3
  - battery hold-down 13-9, 13-11
  - battery terminal protector spray 17-3
  - battery thermometer 17-3
  - battery, 12-volt, top-post 7-11
  - bead, ferrite 13-21
  - bearing 15-3
    - balance shaft 8-21
    - ball 7-7, 12-13, 12-15
    - ball (motor) 14-3
    - crankshaft 8-21
    - inner axle tube 15-3
    - thrust 12-11
  - bearing and oil seal remover 17-3
  - bearing driver set 17-3
  - bearing puller 17-3
  - bearing puller wedge 17-3
  - bellows, steering 6-9
  - belt, drive 11-3
  - belt, starter/generator 7-9
  - body
    - under 1-15, 1-25
  - body kick plate (ele) 1-19
  - body kick plate (gas) 1-17
  - bolt
    - battery, "S" hold-down 13-9, 13-11
  - bolt, U- 1-57, 1-59, 1-61
  - boot, switch 4-17, 7-13, 13-7
  - bottle, sand 1-33
  - bracket
    - accel.cable 9-15, 12-7
    - canopy support 1-45, 1-47
    - carbon canister 9-9
    - clamshell 1-15
    - equalizer 5-7
    - FNR cable 9-15, 12-7
    - governor 9-15, 12-9
    - jounce bumper 1-57, 1-59, 1-61, 6-19
    - mounting, starter/generator 8-5
    - mounting, transaxle/exhaust 8-5
    - seat support 1-53
    - shock mounting, drv 6-15, 6-19
    - shock mounting, pas 6-15, 6-19
    - snubber 8-5
    - starter/generator adjusting 7-9
  - brake adjusting mechanism 5-3, 5-5
  - brake backing plate 5-3, 5-5
  - brake cable 5-7
  - brake cluster 5-3, 5-5
  - brake drum 5-3, 5-5
  - brake lever 5-3, 5-5
  - brake pedal 5-9, 5-11, 5-13, 5-15
  - brake rod 5-9, 5-11, 5-13, 5-15
  - brake self-adjusting mechanism 5-3, 5-5
  - brake shoe 5-3, 5-5
  - brake spring 5-3, 5-5
  - breather 12-11, 15-3
  - breather hose 9-13
  - brow cap 1-7
  - brush 14-3
  - brush box assembly 14-3
  - brush cover kit, starter/generator 7-7
  - brush inspection port cover 7-7
  - brush rigging 14-3
  - brush spring 7-7, 14-3
  - brush spring set 7-7
  - brush spring, starter/generator 7-7
  - brush terminal, starter/generator 7-7
  - bucket, battery 13-9, 13-11
  - bucket, gas vehicle 9-3, 9-5
  - bucket, sand 1-35
  - buckle, bag strap 1-23
  - bumper
    - drive unit (motor) 14-3
    - jounce 1-57, 1-59, 1-61, 6-17, 6-19
    - rubber 1-29
  - Bumper, Shock Plug 1-5
  - bushing 6-11, 6-13, 6-21, 11-5, 12-3
    - urethane 6-15, 6-17, 6-19
  - button, drive 11-7
  - buzzer, reverse 4-9, 4-11
- ## C
- cable
    - accelerator 9-15
    - brake 5-7
    - FNR shifter 12-5
    - governor 9-15
  - calibration test module 17-3
  - cam
    - driven clutch 11-7
  - cam, engine 8-19
  - cam, neutral lockout 12-3
  - camshaft 8-19
  - camshaft o-ring 8-19
  - canister, carbon, fuel tank 9-9
  - canopy 1-39, 1-41
    - canopy drain cover 1-39, 1-41, 1-43
    - canopy handle 1-39, 1-41
    - canopy strut, front, lh 1-45, 1-47, 1-51
    - canopy strut, front, rh 1-45, 1-47, 1-51
    - canopy support 1-45, 1-47
    - canopy support bracket, drv 1-23
    - canopy support bracket, pas 1-23
    - canopy support cover, drv 1-45, 1-47, 1-51
    - canopy support cover, pas 1-45, 1-47, 1-51
  - cap
    - dust 4-9
    - front hub 6-13
    - fuel, gas, ratchet 9-3, 9-5
    - key switch 4-9, 4-11
    - rubber 12-17
  - cap, hub, 7 prong 2-3
  - cap, SAM 1-11
  - carbon canister 9-9
  - carbon canister bracket 9-9
  - card, safety first 17-5
  - case
    - gear 15-3
    - transaxle 12-11
  - CE mark battery bucket plug kit 13-11
  - CE mark decal 13-11
  - CE mark ferrite bead, Fair-rite 13-21
  - CE mark ferrite bead, TDK 13-21
  - center shaft 12-13
  - chain, timing 8-19
  - charger bezel tool 17-3
  - charger receptacle 13-5
  - charger, battery, Hi-Freq 16-3, 16-5, 16-7, 16-9, 16-13, 16-15
  - clamp
    - battery 7-11
    - hose 9-3, 9-5, 9-9, 9-17
    - leaf spring 6-13
    - p- (fuel filter) 8-11, 9-15
  - clamshell bracket 1-15
  - clip 4-5
    - body trim 1-15, 1-25
    - retainer plate 8-17
  - clip, piston pin 8-23
  - clip, score card 6-3, 6-5
  - cluster, brake 5-3, 5-5
  - clutch
    - pin 12-13
  - clutch cam installation tool 17-3
  - clutch repair kit 11-7
  - clutch tool kit 17-3
  - clutch weight 11-5
  - clutch, drive 11-5
  - clutch, driven 11-7
  - coil, ignition 8-13
  - collar 12-13
  - collet 8-19
  - comfort grip steering wheel 6-3
  - comfort grip steering wheel kit 6-3
  - component mounting plate 13-17
  - compression gauge 17-5
  - compressor, piston ring 17-5
  - compressor, valve spring 17-7
  - connecting rod 8-23
  - continuity tester 17-5
  - controller diagnostic tool (CDT) 17-5
  - controller diagnostic tool (CDT) cable 17-5
  - controller shield 13-17
  - controller, motor speed
    - Excel w/Hi-Freq 13-17
  - conversion kit, 4 pass, beige 1-57
  - conversion kit, 4 pass, gray 1-61



# INDEX

conversion kit, 4 pass, white 1-59  
cooling fan 8-9  
cord reel 16-13, 16-15  
cord set, DC 16-3, 16-5, 16-7, 16-9, 16-11  
cord, AC 16-3, 16-11  
cord, DC 16-13, 16-15  
counter shaft 12-13  
cover  
    air intake 9-17  
    brush inspection port 7-7  
    canopy drain 1-39, 1-41, 1-43  
    crankcase 8-21  
    DC terminal block 16-3, 16-5, 16-7, 16-9, 16-13, 16-15  
    dust 5-3, 5-5  
    fan 8-9  
    support, canopy, drv 1-45, 1-47, 1-51  
    support, canopy, pas 1-45, 1-47, 1-51  
    USB 16-3, 16-5, 16-7, 16-9, 16-13, 16-15  
cover plate 14-3  
cover, rocker 8-17  
cover, steering column 4-5, 4-7  
cover, valve 8-17  
crankcase 8-21  
crankcase baffle 8-9  
crankcase cover 8-21  
crankshaft 8-23  
crossmember, rear 1-3  
cushion, shock absorber 6-15, 6-17, 6-19  
cylinder head 8-17

## D

dash 1-13  
dash support assembly 1-3, 6-11  
DC cord 16-13, 16-15  
DC cord set 16-3, 16-5, 16-7, 16-9, 16-11  
decals 3-5  
    CE mark 13-11  
    engine warning 8-9  
    filter log 13-15  
    four-passenger warning 1-57, 1-59, 1-61, 3-3  
    frame ground warning 3-3  
    inspect log 13-15  
    maintenance/operate switch 3-3, 7-13  
    operating instructions 3-3, 3-5, 6-3, 6-5  
    rollover warning 3-3  
    rotating parts 3-3  
    Run/Tow warning 3-3  
    warning 3-3  
    warning, Run/Tow 3-3  
    water exposure 3-3  
deflector  
    air 8-11  
deionizer 13-15  
    cartridge 13-15

differential 12-15  
    open 12-15  
differential drive unit 15-3  
differential gear 15-3  
differential gear set 12-15  
differential housing 15-3  
differential shaft 12-15  
diode 7-5  
dipstick 8-21  
drain channel 1-13  
drain plug 1-29, 8-21, 12-11  
drain plug gasket 8-21  
drain plug, rubber 7-7  
drive belt 11-3  
drive button 11-7  
drive clutch 11-5  
drive clutch button 11-5  
drive clutch holder tool 17-3  
drive clutch hub puller 17-3  
drive clutch puller 17-3  
drive clutch spring 11-5  
drive clutch weight 11-5  
drive hub 11-5  
drive unit bumper 14-3  
driven clutch 11-7  
driven clutch button 11-7  
driven clutch cam 11-7  
driven clutch cam puller 17-3  
driven clutch puller plug 17-3  
driver, drive clutch 11-5  
drum, brake 5-3, 5-5  
dry moly lubricant 17-5  
dust cap 4-9  
dust cover 5-3, 5-5  
dust seal 6-9

## E

ECU 9-11  
end cap, motor 14-3  
end, tie rod 6-9  
engine  
    air cleaner 9-17  
    air deflector 8-11  
    air filter 8-3, 9-17  
    air intake hose 9-17  
    balance shaft 8-23  
    bearing, balance shaft 8-21  
    bearing, crankshaft 8-21  
    breather hose 9-13  
    cam 8-19  
    camshaft 8-19  
    camshaft O-ring 8-19  
    connecting rod 8-23  
    crankcase 8-21  
    crankcase baffle 8-9  
    crankcase cover 8-21

crankcase plug 8-21  
crankshaft 8-23  
crankshaft key 8-23  
cylinder head 8-17  
dipstick 8-21  
drain plug gasket 8-21  
ECU 9-11  
exhaust valve 8-19  
fan 8-9  
fan housing 8-9  
flywheel 8-13  
fuel injector 9-11  
guide pin 8-21  
head gasket 8-17  
ignition coil 8-13  
insulator, throttle body 9-13  
intake valve 8-19  
oil drain plug 8-21  
oil filler tube 8-21  
oil filler tube O-ring 8-21  
oil level sensor 8-15  
oil seal 8-21  
piston 8-23  
piston pin 8-23  
piston pin clip 8-23  
piston ring set 8-23  
retainer plate 8-17  
retainer plate clip 8-17  
rocker arm 8-19  
rocker cover 8-17  
rocker shaft 8-19  
spark plug 8-3, 8-13  
temperature sensor 8-15  
throttle body 9-11  
timing chain 8-19  
timing chain guide 8-19  
timing chain sprocket 8-19  
timing chain tensioner 8-19  
valve collet 8-19  
valve guide 8-17  
valve seal 8-17  
valve spring 8-19  
valve spring retainer 8-19  
warning decal 8-9  
engine warning decal 8-9  
engine, EX40 8-5  
equalizer 5-7  
exhaust system 10-3  
exhaust valve 8-19

## F

face, moveable 11-7  
fan  
    cooling 8-9  
fan cover 8-9  
fan housing 8-9

# INDEX

ferrite bead (CE), Fair-rite 13-21  
ferrite bead (CE), TDK 13-21  
field coil housing 7-7  
filter  
    air 8-3, 9-17  
    fuel 9-7  
floor cover plate 5-9, 5-11, 5-13, 5-15  
floor mat 1-15  
floor mat, 4 pass, rear 1-55, 1-57, 1-59, 1-61  
flywheel 8-13  
FNR handle 12-3  
FNR housing 13-7  
FNR shift lever 12-7  
FNR shifter base 12-3  
FNR shifter cable 12-5  
foot deck 1-55, 1-57, 1-59, 1-61  
frame and field assembly (motor) 14-3  
frame and field, starter/generator 7-7  
front hub 6-13  
front suspension structure 6-11  
fuel filter 9-7  
Fuel Filter Kit 9-7  
fuel injector 9-11  
fuel line 9-9  
Fuel Module, Hold-Down Ring 9-7  
Fuel Pump 9-7  
fuel pump 9-7  
fuel tank 9-3, 9-5  
fuse  
    10-amp 7-5  
    15-amp 13-5  
    2-amp 7-5, 13-5  
    30-amp 13-5, 16-15  
    5-amp 7-5

**G**  
gas pedal assembly, anodized 5-11, 5-13  
gas pedal assembly, anodized triac 5-9  
gasket 12-11  
    air intake 9-17  
    drain plug 8-21  
    insulator 9-13  
    liquid 15-3, 17-5  
    plug 15-3  
    seat 1-21  
gasket, head 8-17  
gauge, compression 17-5  
gear  
    17 tooth 12-13  
    34 tooth 12-13  
    52 tooth 12-13  
    60 tooth 12-15  
    62 tooth 12-13  
    differential 15-3  
    differential idler 15-3  
    differential output 15-3

governor 12-11  
    governor, 34 tooth 12-13  
    set, differential 12-15  
gear yoke 17-5  
gearcase 15-3  
governor arm 9-15, 12-9  
governor cable 9-15  
governor gear shaft 12-11  
governor shaft 12-11  
grip, pencil 6-3, 6-5  
grommet 9-3, 9-5  
guide  
    valve 8-17  
guide pin 8-21, 12-11  
guide ring adhesive 17-3  
guide, timing chain 8-19

**H**  
hand rail 1-55, 1-57, 1-59, 1-61  
handle, canopy 1-41  
handle, FNR 12-3  
harness  
    instrument panel lighting 4-5  
    Visage strut 1-47, 4-17  
harness, instrument panel 4-9, 7-5  
harness, wire 4-7, 7-5, 13-5  
harness, wire, gas engine-ECU 7-5  
harness, wire, gas IP 7-5  
harness, wire, onboard battery charger 16-15  
head gasket 8-17  
head, cylinder 8-17  
headlight 4-3  
hinge 13-9, 13-11  
    seat bottom 1-21  
hinge, seat bottom 1-21  
hip restraint 1-21  
hip restraint, 4 pass 1-53, 1-57, 1-59, 1-61  
hold-down, battery 13-9, 13-11  
hoop, bag 1-23  
horn 4-7  
hose  
    air intake 9-17  
    engine breather 9-13  
    fuel vent 9-9  
    SPWS 13-13  
    vent 9-9  
housing  
    3-pin 14-3  
    differential 15-3  
    fan 8-9  
    field coil 7-7  
hub 6-13, 12-17  
hub cap 2-3, 6-13  
hub cap, 7 prong 2-3  
hub, front 6-13  
hydrometer 17-5

**I**  
idler gear, differential 15-3  
ignition coil 8-13  
indicator, charger 4-9  
inner ball joint 6-9  
inner frame snubber 8-5  
input shaft 12-13, 15-3  
instrument panel 4-11  
instrument panel harness 4-9, 7-5  
insulator 9-13  
insulator gasket 9-13  
intake cover 9-17  
intake valve 8-19  
intermediate shaft 15-3  
internal retaining ring pliers 17-5  
isolator, shock damper 6-15, 6-17, 6-19

**J**  
J-clip 1-3, 1-55, 6-15, 6-19  
jounce bumper 1-57, 1-59, 1-61, 6-17, 6-19  
jounce bumper bracket 1-57, 1-59, 1-61, 6-19

**K**  
key  
    driven clutch 11-7  
    On/Off 4-9, 4-11  
    square 11-7  
key switch 4-9, 4-11  
key switch cap 4-9, 4-11  
key, crankshaft 8-23  
kick plate (ele) 1-19  
kick plate (gas) 1-17  
king pin 6-13  
kit  
    3-pin housing 14-3  
    4 pass conversion, beige 1-57  
    4 pass conversion, gray 1-61  
    4 pass conversion, white 1-59  
    ball joint, inner 6-9  
    bellows, steering, sona 6-9  
    brake cable 5-7  
    brake shoe retainer 5-3, 5-5  
    CE battery bucket plug 13-11  
    clutch repair 11-7  
    comfort grip steering wheel 6-3  
    controller diagnostic tool (CDT) 17-5  
    deflector, air 8-11  
    drive clutch button 11-5  
    drive clutch weight 11-5  
    driven clutch button 11-7  
    front hub replacement 6-13  
    hand pump, SPWS 13-15  
    hub cap 2-3  
    motor brush 14-3  
    motor brush spring 14-3

# INDEX

motor cover plate 14-3  
motor speed sensor 14-3  
motor terminal hardware 14-3  
relay, 48V 4-5  
SAM assembly 1-23  
seat bottom 1-21  
shock absorber 6-15, 6-19  
shock absorber cushion 6-15, 6-19  
shoe retainer 5-3, 5-5  
windshield 1-37  
knob, light switch 4-11

## L

leaf spring, rear 6-15, 6-17, 6-19  
leaf spring, rear, 4-pass 1-57, 1-59, 1-61  
lever  
    transaxle shift 12-7  
light  
    oil 4-11  
    tail 4-19  
    water quality 13-15  
light switch 4-11  
light switch knob 4-11  
limit switch 7-17, 12-3  
line, fuel 9-9  
liquid gasket 15-3, 17-5  
low oil warning light 4-11  
lubricant, dry moly 17-5  
lubricant, moly-teflon 14-3, 17-5  
lug nut 2-3, 2-5  
lug stud 6-13, 12-17, 15-3

## M

magnet, speed sensor 14-3  
mat, floor 1-15  
MCOR 5-15, 13-3  
mechanism, brake adjusting 5-3, 5-5  
meter, volt ohm 17-7  
mirror 1-63  
module  
    calibration test 17-3  
moly-teflon lubricant 17-5  
motor  
    48-volt IQ 14-3  
motor brush kit 14-3  
motor brush spring kit 14-3  
motor bumper 14-3  
motor end cap 14-3  
motor magnet, speed sensor 14-3  
motor speed controller  
    Excel w/Hi-Freq 13-17  
motor speed sensor 14-3  
motor speed sensor kit 14-3  
motor terminal hardware kit 14-3  
motor wire harness 13-5

mounting plate, component 13-17  
moveable-face 11-5, 11-7

## N

neutral lockout cam 12-3  
nut, lug 2-3, 2-5

## O

oil filler tube 8-21  
oil level sensor 8-15  
oil seal 8-21, 12-11  
oil warning light, low 4-11  
O-ring 8-19, 8-21  
O-ring Kit, Fuel Module 9-7  
O-Ring, Fuel Module 9-7

## P

paint, underbody (black) 17-5  
panel  
    access 1-25  
    SAM 1-23  
panhard 6-21  
park brake release, anod 5-9, 5-11, 5-13, 5-15, 7-3  
p-clamp (fuel filter) 8-11, 9-15  
pedal assembly, gas, anodized 5-11, 5-13  
pedal assembly, gas, anodized triac 5-9  
pedal, accelerator 5-9, 5-11, 5-13, 5-15, 7-3  
pedal, brake 5-9, 5-11, 5-13, 5-15  
pencil grip 6-3, 6-5  
pin  
    bow tie locking 5-7  
    clevis 5-7  
    differential 12-15  
    guide 8-21, 12-11  
    input shaft 12-13  
    king 6-13  
    piston 8-23  
piston 8-23  
piston pin 8-23  
piston pin clip 8-23  
piston ring 8-23  
piston ring compressor 17-5  
piston ring pliers 17-5  
piston ring set 8-23  
plate  
    backing (brake) 5-3, 5-5  
    component mounting 13-17  
    cover 14-3  
    floor cover 5-9, 5-11, 5-13, 5-15  
    kick(ele) 1-19  
    kick(gas) 1-17  
    mounting, CVT, center 8-5  
    mounting, engine/axle 8-5  
    retainer 8-17

pliers  
    internal retaining ring 17-5  
    piston ring 17-5  
    retaining ring 17-5  
plug  
    drain 12-11  
    driven clutch puller 17-3  
    oil drain 8-21  
    rubber drain 7-7  
    rubber, crankcase 8-21  
    spark 8-3, 8-13  
plug, drain 1-29  
press weldment 17-3  
protector spray, battery terminal 17-3  
puller  
    bearing 17-3  
    drive clutch 17-3  
    drive clutch hub 17-3  
    driven clutch cam 17-3  
    seal 17-5  
pulley  
    starter-generator 7-7  
    v-belt 7-7  
pump  
    fuel 9-7

## R

rack and pinion 6-9  
rear crossmember 1-3  
rear underbody support 1-23  
receptacle 13-5  
reel cord 16-13, 16-15  
refractometer 17-5  
regulator, voltage 7-11  
relay 4-5  
relay, 12-volt 4-11  
relay, 48V 4-5  
release, anod park brake 5-9, 5-11, 5-13, 5-15, 7-3  
remove, bearing and oil seal 17-3  
resistor assembly 13-17  
restraint, hip, 4 pass 1-53, 1-57, 1-59, 1-61  
retainer  
    brake shoe 5-3, 5-5  
    shock absorber cushion 6-15, 6-17, 6-19  
    valve spring 8-19  
retainer plate 8-17  
retaining ring pliers 17-5  
reverse buzzer 4-9, 4-11  
rim (wheel) 2-3, 2-5  
ring  
    piston 8-23  
    retaining 11-5, 11-7, 12-3, 12-11, 12-17  
    spiral backup 11-5  
Rivet, Removable 1-25  
rocker arm 8-19

# INDEX

- rocker cover 8-17
  - rocker shaft 8-19
  - rocker switch 13-7
  - rod
    - brake 5-9, 5-11, 5-13, 5-15
    - connecting 8-23
  - rubber bumper 1-29
- ## S
- safety first card 17-5
  - SAM (structural accessory module) 1-23
  - SAM assembly kit 1-23
  - SAM cap 1-11
  - SAM panel 1-23
  - sand bottle 1-33
  - sand bucket 1-35
  - sand scoop 1-35
  - scoop, sand 1-35
  - score card clip 6-3, 6-5
  - score card plate 6-3, 6-5
  - seal
    - dust 6-9
    - lip 15-3
    - oil 8-21, 12-11, 15-3
    - valve 8-17
  - seal puller 17-5
  - sealant 15-3
  - seat back, beige 1-23, 1-53, 1-57
  - seat back, black 1-23, 1-53
  - seat back, gray 1-23, 1-53, 1-61
  - seat back, white 1-23, 1-53, 1-59
  - seat bottom kit 1-21
  - seat bracket 1-53, 1-57, 1-59, 1-61
  - seat gasket 1-21
  - seat hinge 1-21
  - seat support bracket 1-53
  - seat support weldment 1-53
  - select shaft 12-11
  - sensor
    - oil level 8-15
    - temperature 8-15
  - sensor, motor speed 14-3
  - shaft
    - axle 12-15
    - balance 8-23
    - center 12-13
    - counter 12-13
    - differential 12-15
    - governor 12-11
    - governor gear 12-11
    - input 12-13, 15-3
    - intermediate 15-3
    - rocker 8-19
    - select 12-11
    - shift 12-13
  - shield, charger 16-15
  - shield, controller 13-17
  - shield, debris aux 5-9, 5-11, 5-13, 5-15
  - shield, debris primary 5-9, 5-11, 5-13, 5-15
  - shift lever 12-7
  - shift shaft 12-13
  - shock absorber (front) 6-11
  - shock absorber (rear) 6-15, 6-17, 6-19
  - shock absorber cushion 6-15, 6-17, 6-19
  - shock absorber cushion retainer 6-15, 6-17, 6-19
  - shock damper isolator 6-15, 6-17, 6-19
  - shock mounting bracket, drv 6-15, 6-19
  - shock mounting bracket, pas 6-15, 6-19
  - shoe retainer kit 5-3, 5-5
  - shoe, brake 5-3, 5-5
  - sleeve 6-11, 6-13, 6-15, 6-17, 6-19, 6-21, 12-11
  - snubber bracket 8-5
  - snubber, inner frame 8-5
  - solenoid, 12-volt 7-11
  - spacer 12-11, 12-13
  - spark plug 8-3, 8-13
  - speed controller
    - Excel w/Hi-Freq 13-17
  - speed sensor 14-3
  - speed sensor magnet 14-3
  - speed sensor, motor 14-3
  - spindle 6-13
  - spiral backup ring 11-5
  - spray, battery terminal protector 17-3
  - spring 12-11
    - brake 5-3, 5-5
    - brush 7-7, 14-3
    - compression 6-3, 6-5
    - drive button 11-5
    - drive clutch 11-5
    - driven clutch 11-7
    - forward/reverse cam 12-3
    - valve 8-19
  - spring retainer 8-19
  - spring, leaf, rear 6-15, 6-17
  - spring, leaf, rear, 4-pass 1-57, 1-59, 1-61, 6-19
  - SPWS hose 13-13
  - starter/generator 7-7
  - starter/generator brush cover kit 7-7
  - starter/generator brush spring 7-7
  - starter/generator brush terminal 7-7
  - starter/generator frame and field 7-7
  - starter/generator pulley 7-7
  - steering column bearing press tool 17-7
  - steering column cover 4-5, 4-7
  - steering column retaining ring tool 17-7
  - steering wheel 6-3, 6-5
  - steering wheel (comfort grip) kit 6-3
  - steering wheel puller tool 17-7
  - stem, valve 2-3, 2-5
  - strap, bag 1-23
  - strut, angle, tie 1-53, 1-57, 1-59, 1-61
  - strut, front canopy, lh 1-45, 1-47, 1-51
  - strut, front canopy, rh 1-45, 1-47, 1-51
  - stud
    - exhaust mounting
      - engine
        - exhaust mounting stud 8-17
    - intake mounting
      - engine
        - intake mounting stud 8-17, 9-13
    - lug 6-13, 12-17, 15-3
  - support, canopy 1-45, 1-47
  - support, underbody, rear 1-23
  - suspension, front structure 6-11
  - switch
    - key 4-9, 4-11
    - light 4-11
    - limit 7-17, 12-3
    - rocker 13-7
    - Tow/Run 4-17, 13-7
    - turn signal 4-5
  - switch rubber boot 4-17, 7-13, 13-7
  - switch, toggle 7-13
- ## T
- 12-volt solenoid 7-11
  - tachometer 17-7
  - taillight 4-19
  - tank, fuel 9-3, 9-5
  - temperature sensor 8-15
  - tensioner, timing chain 8-19
  - tester, continuity 17-5
  - thermometer, battery 17-3
  - three-piece A-arm 6-11
  - throttle body 9-11
  - throttle, gas, Gen2, triac, sensor 5-9, 7-3
  - throttle, Gen2, no sensor 5-11, 5-13, 5-15
  - tie rod end 6-9
  - tie wrap 6-9, 12-5, 13-5, 13-21, 16-13
  - timing chain 8-19
  - timing chain guide 8-19
  - tire 2-3
  - tire, pro tour, 205-50 x 10 2-5
  - toggle switch 7-13
  - tool
    - accelerator pedal adjustment 17-3
    - belt tensioning, starter/generator 17-7
    - charger bezel 17-3
    - clutch cam installation 17-3
    - drive clutch holder 17-3
    - steering column bearing press 17-7
    - steering column retaining ring 17-7
    - steering wheel puller 17-7
    - transaxle axle seal 17-7
    - transaxle pinion seal 17-7
    - transmission 17-7

# INDEX

tool kit, clutch 17-3  
touch-up paint 17-5  
Tow/Run switch 4-17, 13-7  
transaxle (Electric Vehicle) 15-3  
transaxle axle seal tool 17-7  
transaxle pinion seal tool 17-7  
transaxle, open-diff (Gas Vehicle) 12-11  
transmission tool 17-7  
tube  
    axle 12-15, 15-3  
    battery cross rod 13-9, 13-11  
    oil filler 8-21  
Tuflok 1-25  
turn signal switch 4-5

## U

U-bolt 1-57, 1-59, 1-61, 6-15, 6-17, 6-19  
underbody 1-15  
underbody support, rear 1-23  
underbody, rear 1-25  
urethane bushing 6-15, 6-17, 6-19  
USB  
    cover 16-3, 16-5, 16-7, 16-9, 16-13, 16-15  
    port 13-19  
USB cover 16-3, 16-5, 16-7, 16-9, 16-13, 16-15  
USB port 13-19

## V

valve  
    exhaust 8-19  
    intake 8-19  
valve collet 8-19  
valve cover 8-17  
valve guide 8-17  
valve seal 8-17  
valve spring 8-19  
valve spring compressor 17-7  
valve stem 2-3, 2-5  
vent  
    fuel tank 9-3, 9-5  
    transaxle 12-11  
vent, barb 9-9  
volt ohm meter 17-7  
voltage regulator 7-11

## W

warning light, low oil 4-11  
water quality light 13-15  
wedge, bearing puller 17-3  
weight  
    clutch 11-5  
    secondary clutch 11-5  
weldment  
    governor bracket 9-15, 12-9  
    press 17-3

wheel 2-3, 2-5  
    steering 6-3, 6-5  
windshield 1-37  
windshield channel 1-37  
wire  
    green, starter/generator 7-5, 7-7  
    ground, fuel tank 7-5, 9-3, 9-5  
wire harness 4-7, 7-5, 13-5  
wire harness, EFI 7-5  
wire harness, Excel w/Hi-Freq, MCOR3 13-5  
wire harness, onboard battery charger 16-15  
wrap, tie 6-9, 12-5, 13-5, 13-21, 16-13

## Y

yoke, gear 17-5







**Club Car, Inc.**  
P.O. Box 204658  
Augusta, GA 30917-4658  
USA

**Web** [www.clubcar.com](http://www.clubcar.com)  
**Phone** 1.706.863.3000  
1.800.ClubCar  
**Int'l** +1 706.863.3000  
**Fax** 1.706.863.5808