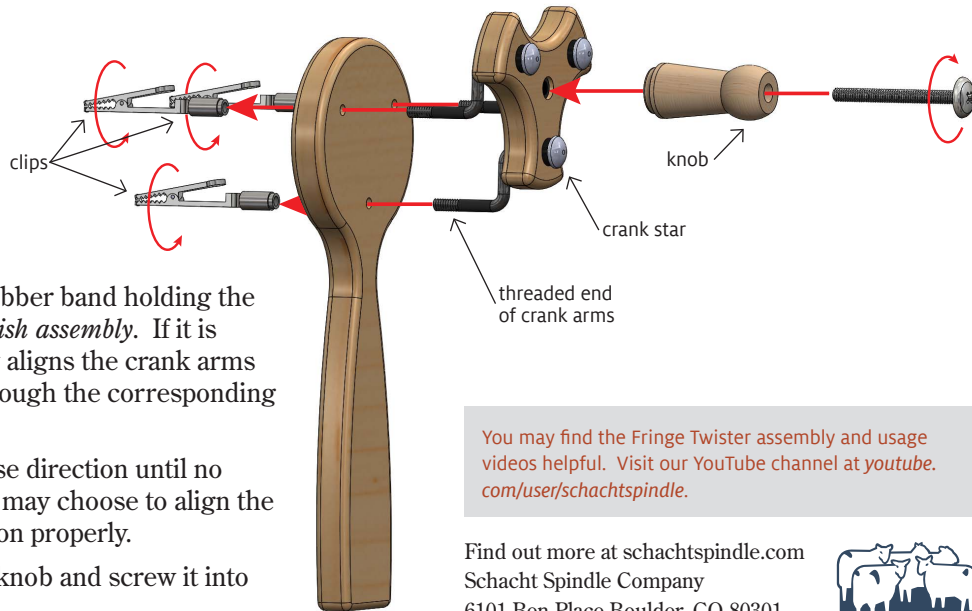


FRINGE TWISTER

ASSEMBLY AND USE INSTRUCTIONS



1. The Schacht Fringe Twister is packaged with a rubber band holding the loose pieces together, *do not remove this until you finish assembly*. If it is broken or missing hold the crank star so that gravity aligns the crank arms vertically and slide all three of the threaded ends through the corresponding holes in the handle at the same time.

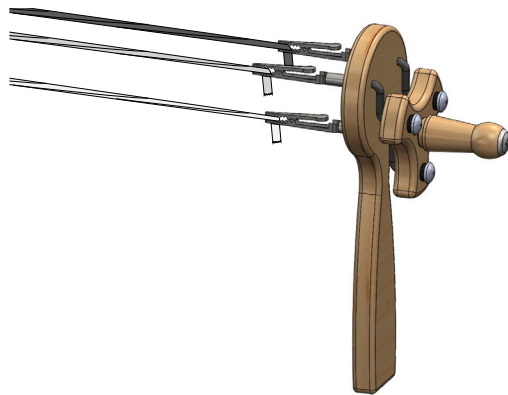
2. Thread the clips onto the crank arms in a clockwise direction until no exposed thread remains. For aesthetic reasons, you may choose to align the clips, but this isn't necessary for the twister to function properly.

3. Slide the 1/4-20 x 2-1/4" truss head bolt through the knob and screw it into the threaded insert in the crank star.

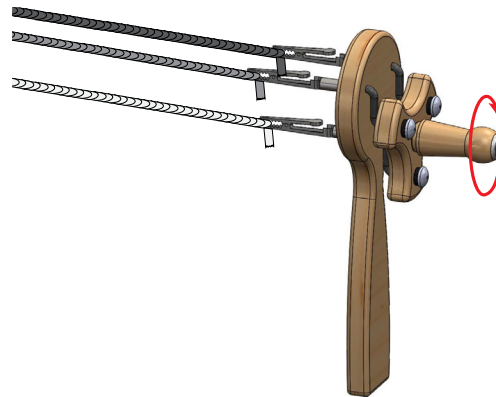
© 2017 Schacht Spindle Company, Inc.

You may find the Fringe Twister assembly and usage videos helpful. Visit our YouTube channel at [youtube.com/user/schachtspindle](https://www.youtube.com/user/schachtspindle).

Find out more at [schachtspindle.com](https://www.schachtspindle.com)
Schacht Spindle Company
6101 Ben Place Boulder, CO 80301
p. 303.442.3212 f. 303.447.9273



1. Clip the ends of the fringe to the clips on the twister. You can use 2 or 3 clips depending on the look you are after. You can use as many ends in each grouping as desired.



2. Twist the yarns in the direction of the existing yarn twist. When the yarns kink back on themselves, you have applied enough twist. It is helpful to count the rotations of the twister from group to group for a consistent looking fringe.



3. Remove the yarns from the clips, keeping hold of them, and then twist them in the opposite direction in one of two ways: Gather the yarns together, twist them in the opposite direction, and finish by tying a single knot in the end, or first tie them together in a single knot and let go, the yarns will back-twist by themselves.