

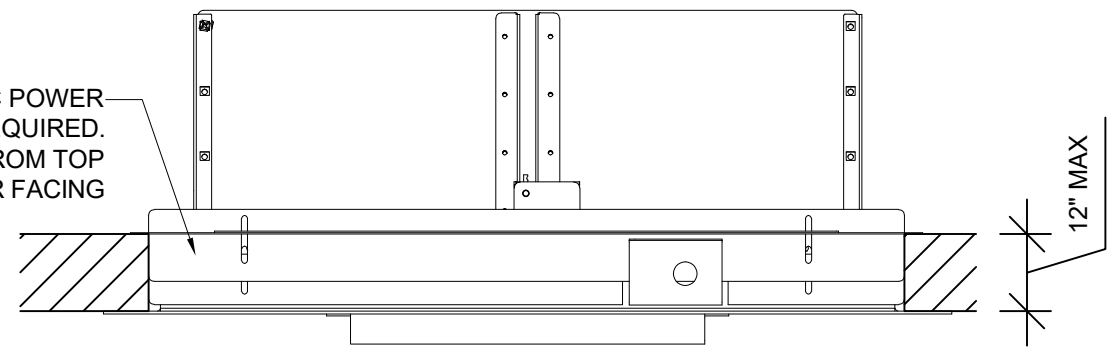
4

3

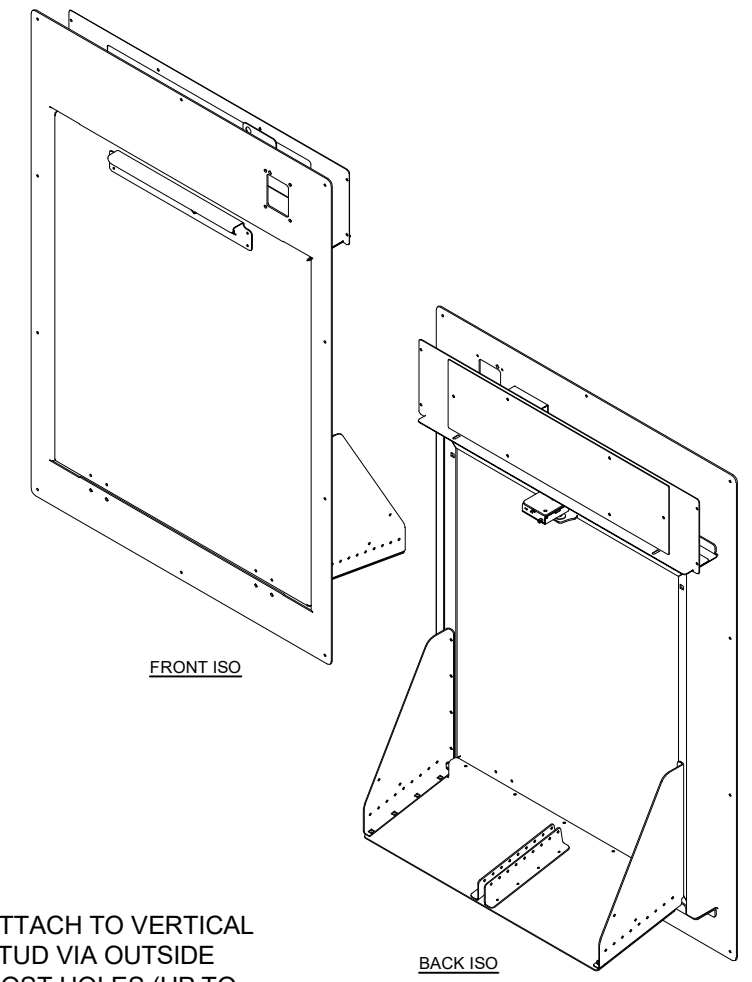
2

1

110 VOLT AC POWER  
REQUIRED.  
APPROACH FROM TOP  
RIGHT, REAR FACING



**PLAN**  
SCALE: 1 1/2" = 1'-0"



FRONT ISO

BACK ISO

B

30 3/4" MIN - 31 3/4" MAX

110 VOLT AC POWER  
REQUIRED. APPROACH  
FROM TOP RIGHT, REAR  
FACING

10 5/16"

TRIM OUT 6 7/8"  
FROM STUD AS  
INDICATED. ADD  
AN ACCESS  
PANEL FOR  
ELECTRONICS  
ACCESS.

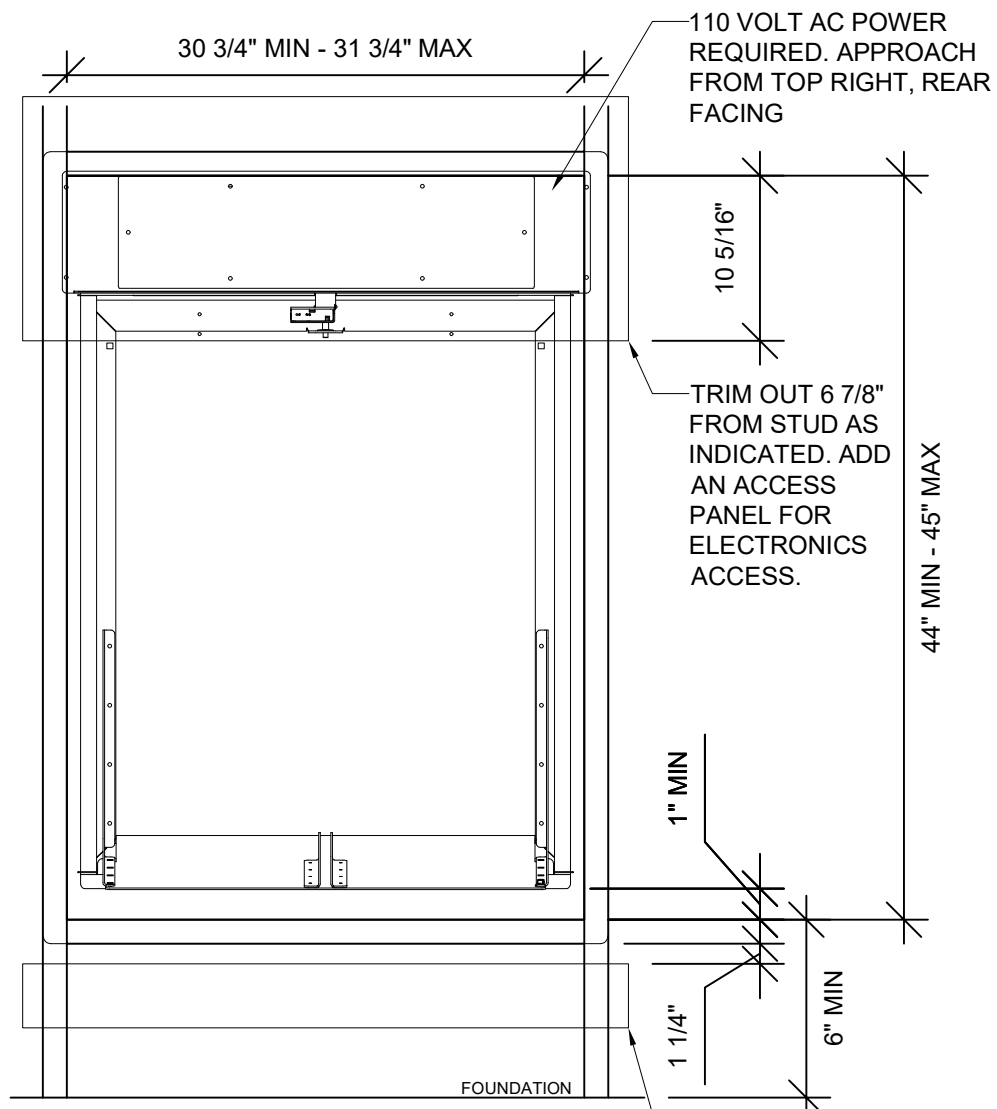
44" MIN - 45" MAX

1" MIN

1 1/4"

TRIM OUT 1 1/4" FROM  
STUD AS INDICATED.

FOUNDATION

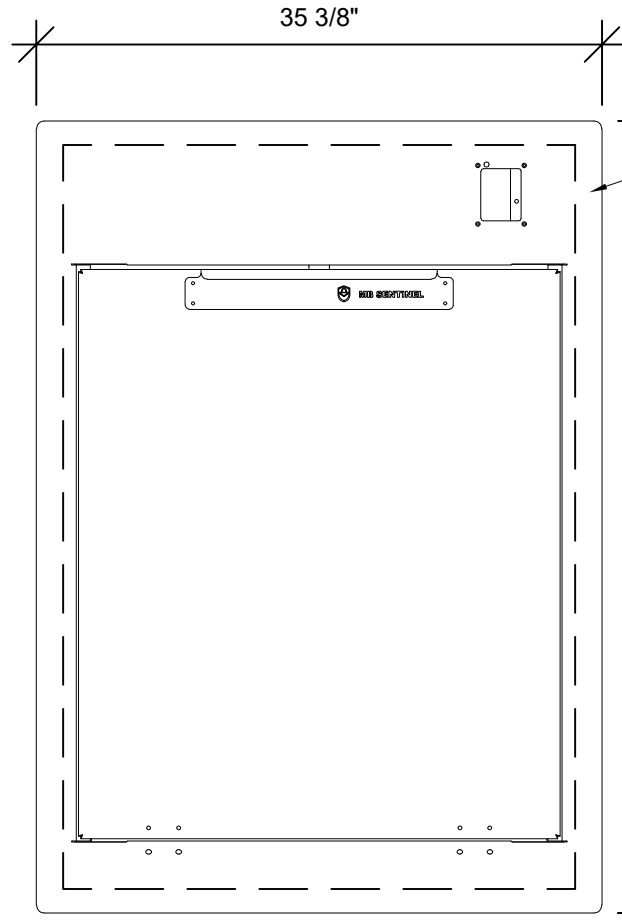


**INTERIOR ELEVATION**  
SCALE: 1" = 1'-0"

**MANUFACTURER INSTALLATION REQUIREMENTS:**

1. THE BOX GOBLER SHOULD BE SHIELDED FROM DIRECT WEATHER CONDITIONS
2. WALL THICKNESS IS 12" MAXIMUM
3. UNIT TO BE INSTALLED 6" ABOVE THE INTERIOR FINISHED FLOOR TO ACCOMMODATE ADDITIONAL CONVEYOR RAMPS
4. FRAMED OPENING MINIMUM 30 3/4" X 44" / MAXIMUM 31 3/4" X 45"
5. BOTTOM DOOR FLANGE TO BE INSTALLED NO LESS THAN 1" ABOVE THE BOTTOM OF THE FRAMED OPENING TO ACCOMMODATE DOOR HINGES
6. REQUIRES 110 VOLT AC POWER (THE POWER MUST APPROACH FROM THE TOP RIGHT WHEN FACING THE REAR)

35 3/8"



**EXTERIOR ELEVATION**  
SCALE: 1" = 1'-0"

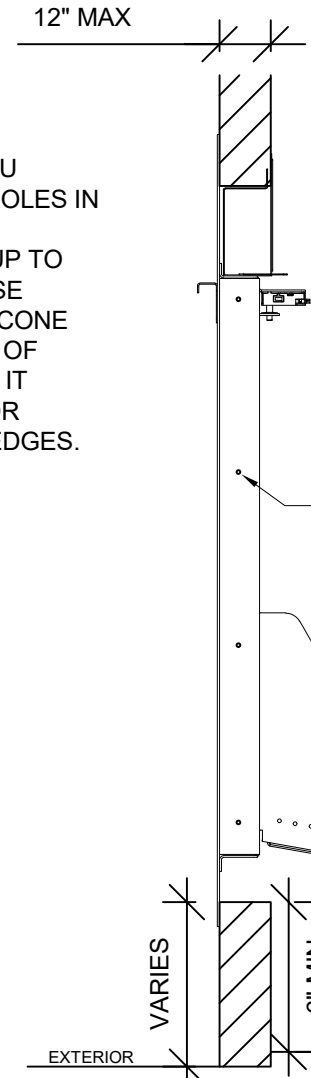
CONCRETE / CMU  
MOUNT: DRILL HOLES IN  
FLANGE TO  
ACCOMMODATE UP TO  
1/4" SCREWS. USE  
EXTERIOR SICLICONE  
CAULK AT BACK OF  
FLANGE WHERE IT  
MEETS EXTERIOR  
SURFACE AND EDGES.

49 1/2"

VARIES

GRADE

12" MAX



**LEFT ELEVATION**  
SCALE: 1" = 1'-0"

ATTACH TO VERTICAL  
STUD VIA OUTSIDE  
MOST HOLES (UP TO  
1/4" SCREW).

VARIES

EXTERIOR

INTERIOR

**CAUTION:** BE SURE TO SHIM BETWEEN THE BOX GOBLER FRAME AND THE WALL STUDS PRIOR TO SECURING IN PLACE WITH HARDWARE. THIS WILL ENSURE THE PROPER ALIGNMENT OF THE DOOR AND FRAME ASSEMBLY.

UNLESS OTHERWISE SPECIFIED:  
DIMENSIONS ARE IN INCHES  
TOLERANCES:  
FRACTIONAL 1/32&1/64 RESPECT.  
ANGULAR: BEND +/- 1 DEG  
TWO PLACE DECIMAL +/- 0.030  
THREE PLACE DECIMAL +/- 0.015

**MB SENTINEL**

TITLE:  
**BG - 2828**

**PROPRIETARY AND CONFIDENTIAL**  
THE INFORMATION CONTAINED IN THIS DRAWING IS THE SOLE PROPERTY OF MB SENTINEL. ANY REPRODUCTION IN PART OR AS A WHOLE WITHOUT THE WRITTEN PERMISSION OF MB SENTINEL IS PROHIBITED.

INTERPRET GEOMETRIC TOLERANCING PER:  
MATERIAL  
5052 ALUMINUM 0.125  
FINISH  
RAW  
DO NOT SCALE DRAWING

SIZE - DWG. NO.

SCALE: VARIES WEIGHT: SHEET 1 OF 1

4

3

2

1

B

A