

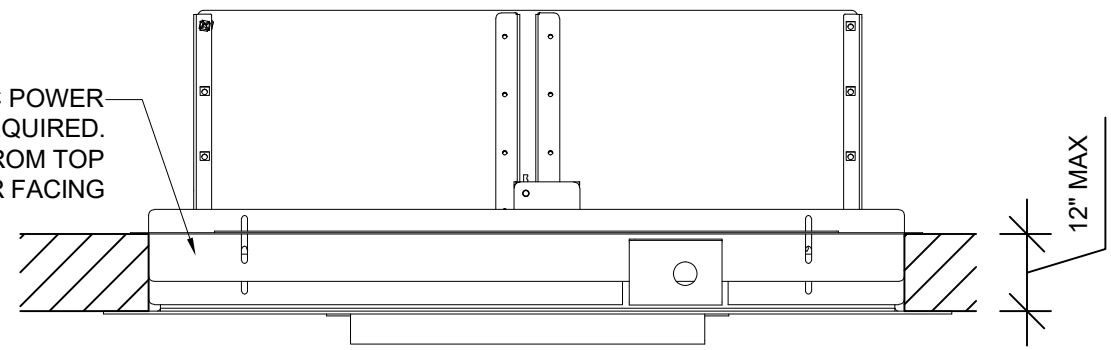
4

3

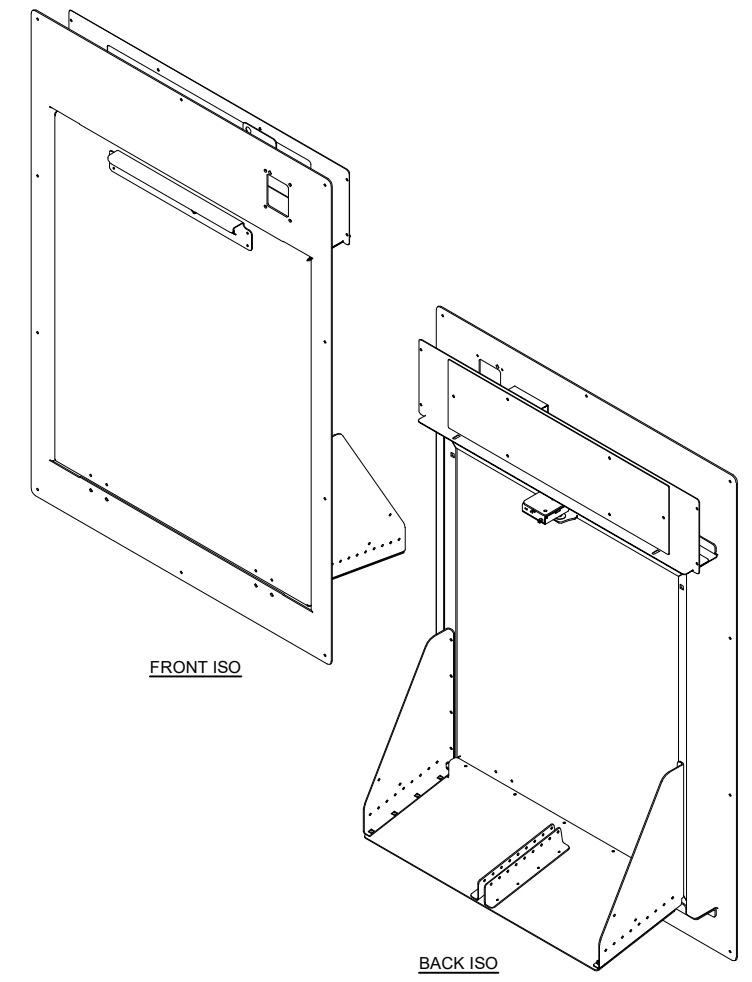
2

1

110 VOLT AC POWER
REQUIRED.
APPROACH FROM TOP
RIGHT, REAR FACING



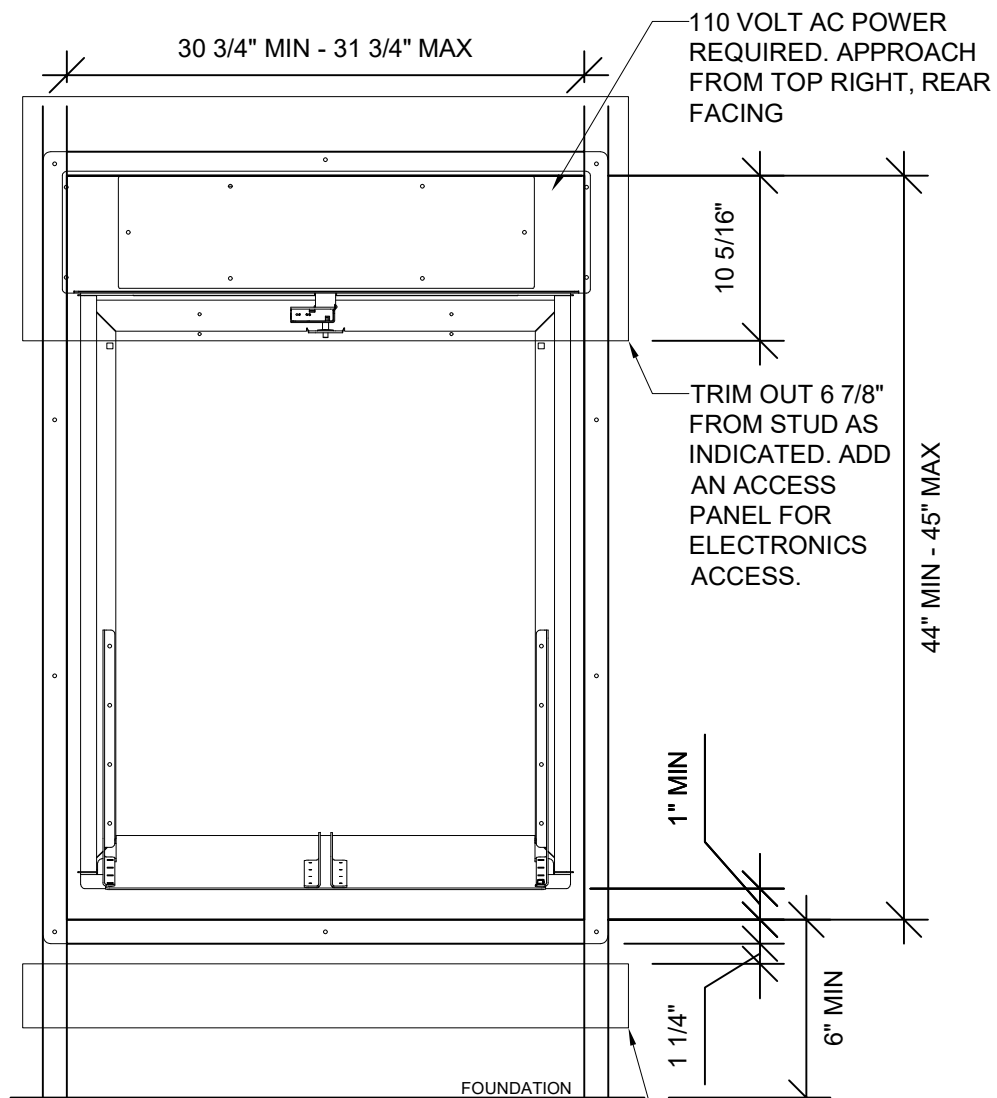
PLAN
SCALE: 1 1/2" = 1'-0"



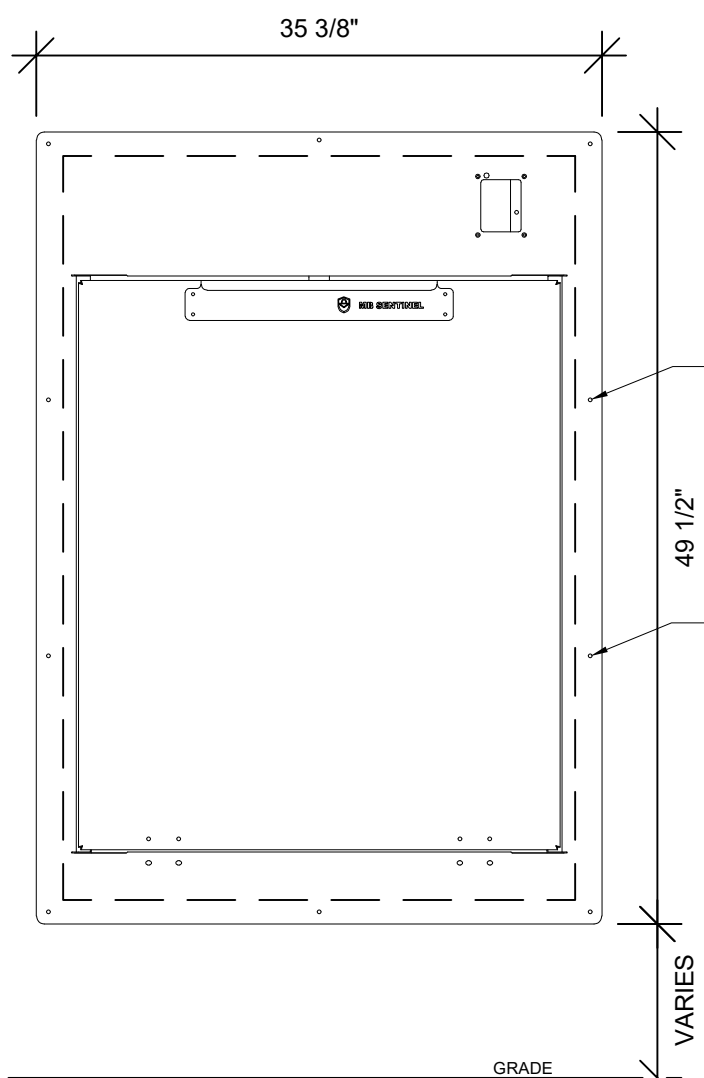
FRONT ISO

BACK ISO

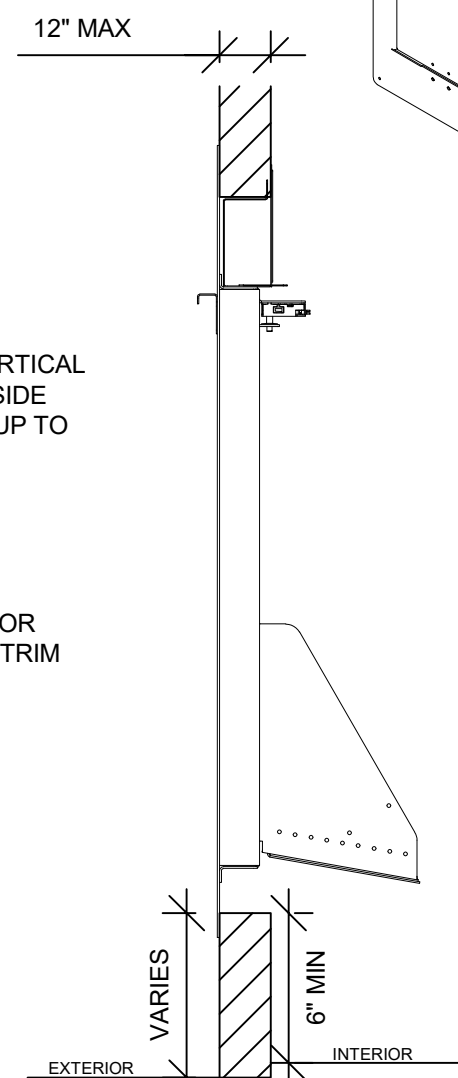
B



INTERIOR ELEVATION
SCALE: 1" = 1'-0"



EXTERIOR ELEVATION
SCALE: 1" = 1'-0"



LEFT ELEVATION
SCALE: 1" = 1'-0"

CAUTION: BE SURE TO SHIM BETWEEN THE BOX GOBBLER FRAME AND THE WALL STUDS PRIOR TO SECURING IN PLACE WITH HARDWARE. THIS WILL ENSURE THE PROPER ALIGNMENT OF THE DOOR AND FRAME ASSEMBLY.

MANUFACTURER INSTALLATION REQUIREMENTS:

1. THE BOX GOBBLER SHOULD BE SHIELDED FROM DIRECT WEATHER CONDITIONS
2. WALL THICKNESS IS 12" MAXIMUM
3. UNIT TO BE INSTALLED 6" ABOVE THE INTERIOR FINISHED FLOOR TO ACCOMMODATE ADDITIONAL CONVEYOR RAMPS
4. FRAMED OPENING MINIMUM 30 3/4" X 44" / MAXIMUM 31 3/4" X 45"
5. BOTTOM DOOR FLANGE TO BE INSTALLED NO LESS THAN 1" ABOVE THE BOTTOM OF THE FRAMED OPENING TO ACCOMMODATE DOOR HINGES
6. REQUIRES 110 VOLT AC POWER (THE POWER MUST APPROACH FROM THE TOP RIGHT WHEN FACING THE REAR)

PROPRIETARY AND CONFIDENTIAL
THE INFORMATION CONTAINED IN THIS DRAWING IS THE SOLE PROPERTY OF MB SENTINEL. ANY REPRODUCTION IN PART OR AS A WHOLE WITHOUT THE WRITTEN PERMISSION OF MB SENTINEL IS PROHIBITED.

UNLESS OTHERWISE SPECIFIED:
 DIMENSIONS ARE IN INCHES
 TOLERANCES:
 FRACTIONAL 1/32&1/64 RESPECT.
 ANGULAR: BEND +/- 1 DEG
 TWO PLACE DECIMAL +/- 0.030
 THREE PLACE DECIMAL +/- 0.015

INTERPRET GEOMETRIC TOLERANCING PER:
 MATERIAL 5052 ALUMINUM 0.125
 FINISH RAW
 DO NOT SCALE DRAWING

MB SENTINEL		
TITLE: BG - 2828		
SIZE - DWG. NO.		
SCALE: VARIES	WEIGHT:	SHEET 1 OF 1

4

3

2

1

B

A