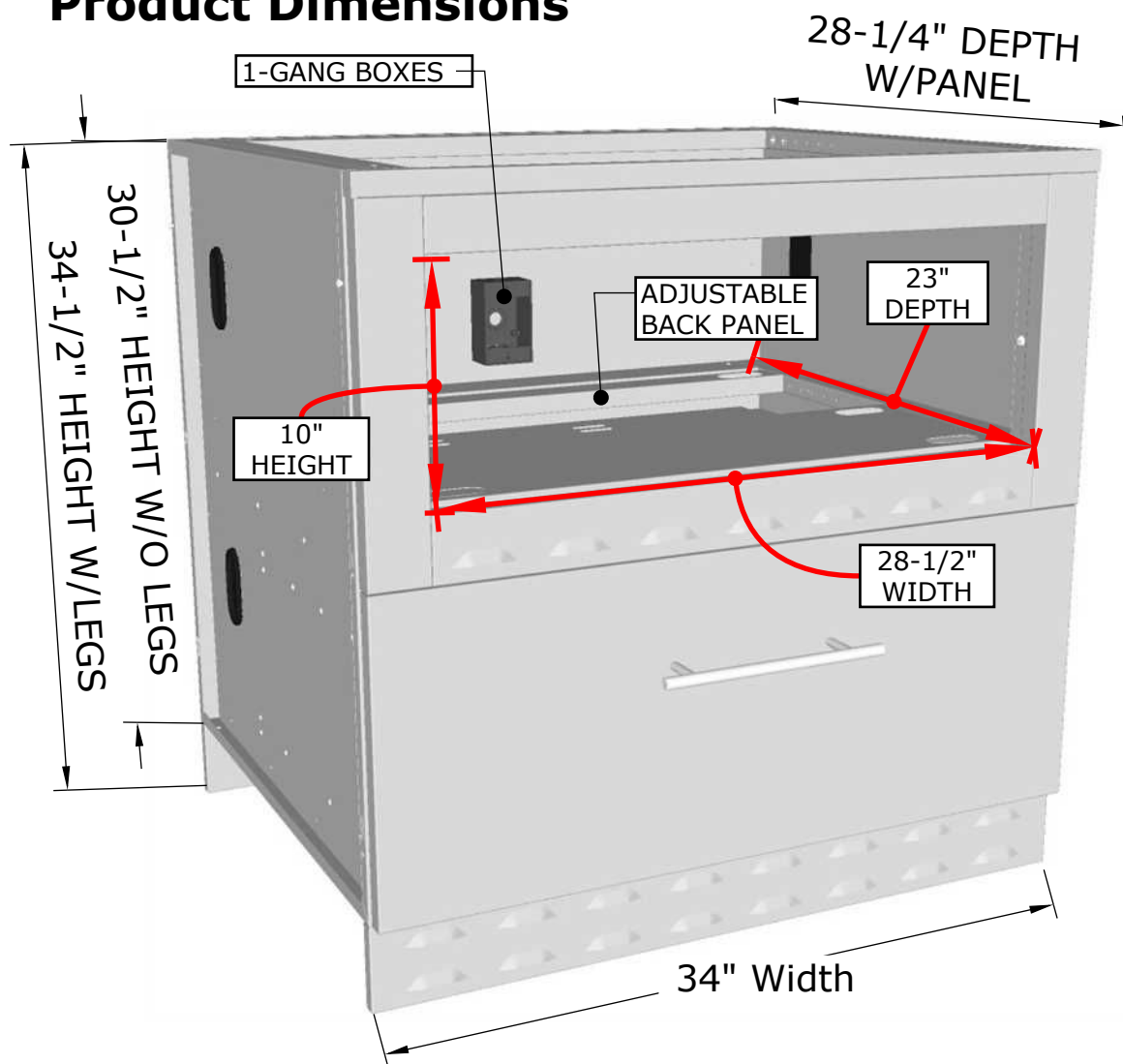
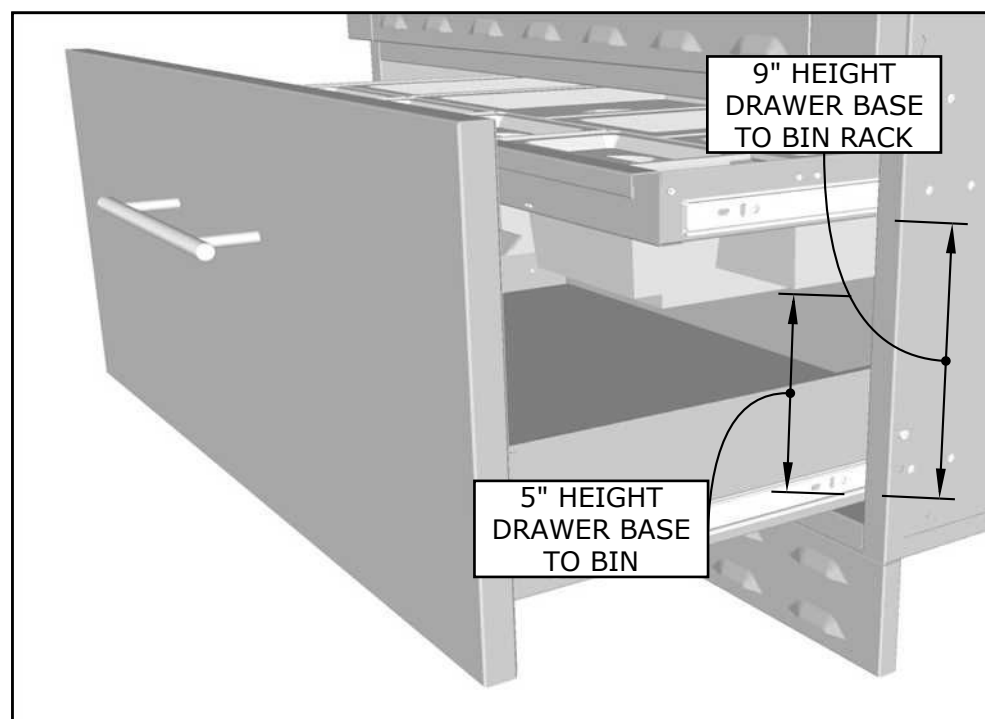
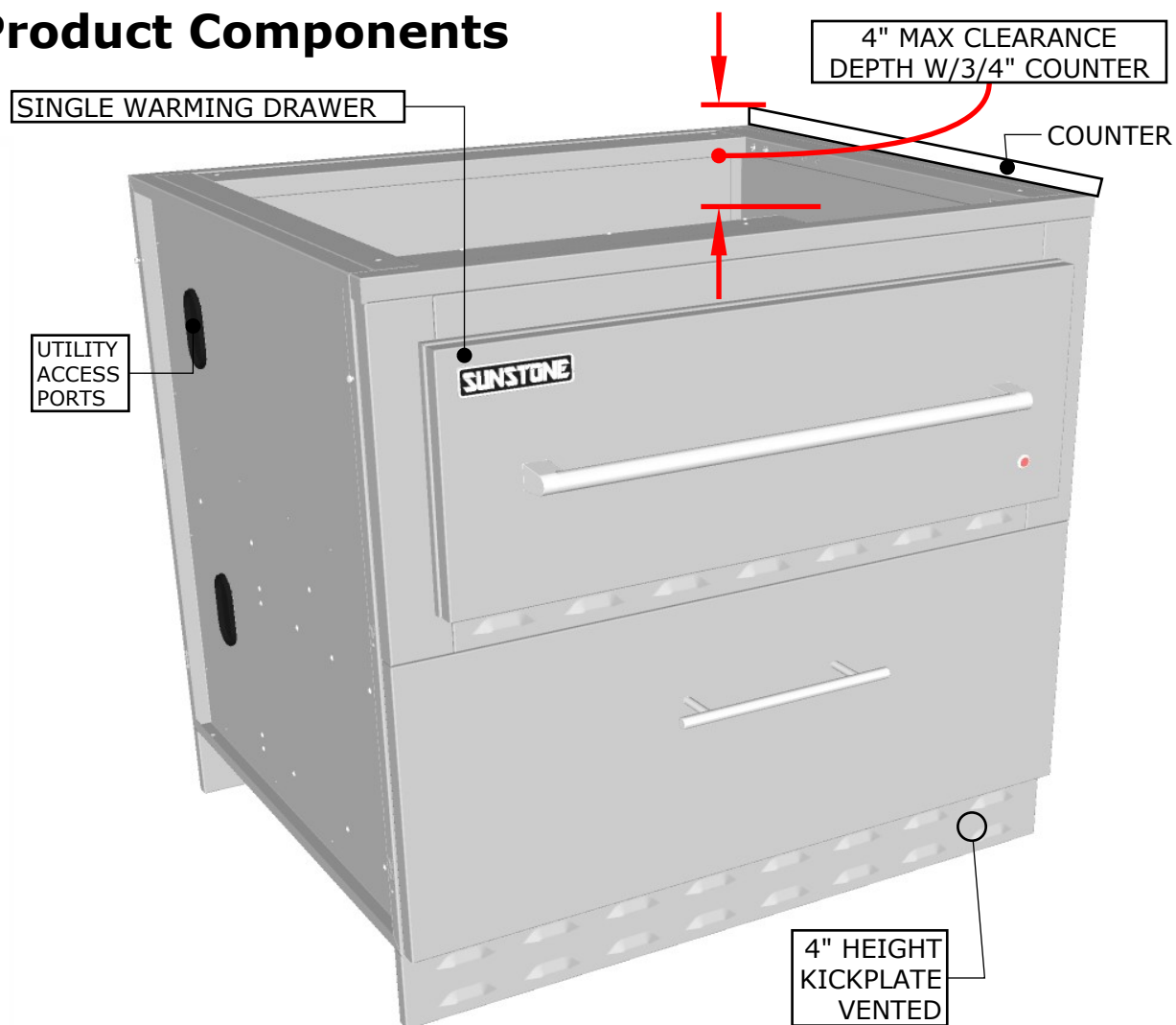


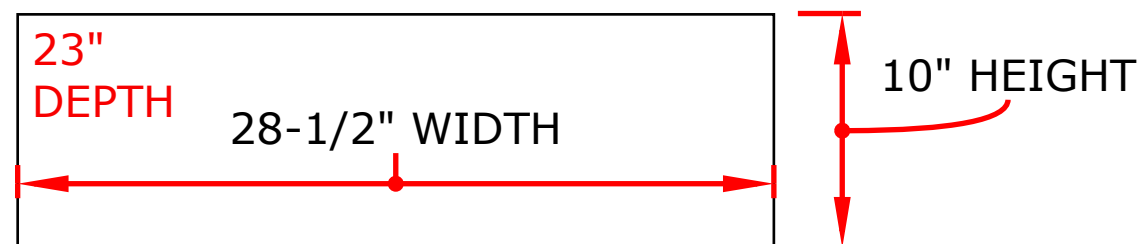
## Product Dimensions



## Product Components



### WARMING DRAWER SLEEVE CUT-OUT



### INSERTABLE PRODUCT OPTIONS

SUNSTONE® 30" DRAWER, BULL® 30" DRAWER, COYOTE® 30" DRAWER, ALFRESCO® 30" DRAWER, LYNX® 30" DRAWER, TWIN EAGLES® 30" DRAWER

Disclaimer: The trademarks used in the "Product Option" belong to their respective owners who do not sponsor nor are they affiliated with Sunstone Metal Products, L.L.C. The specific product Cut-Out Dimensions have not been directly confirmed by any Sunstone Metal Products LLC, representative or employee. Use own discretion to confirm exact product fit.

**SUNSTONE METAL PRODUCTS**  
 16004 CENTRAL COMMERCE DR.  
 PFLUGERVILLE, TEXAS 78660  
 Tel: 888.934.9449  
 Bus: 512.487.5116  
 Fax: 512.487.7016

### PRODUCT

34" Appliance Single Warming  
 Drawer Cabinet for Item No.  
 SAPWD30PRO  
**Item No. SAC34SWC**

### DESCRIPTION

- Lifetime Structure Warranty
- 304 Stainless Steel Structure
- 304 SS Rod Handles
- Front & Back Kick-Plates
- Easy Pin-Lock Installation
- Soft-Close Drawer Tracks
- Covered Access Ports
- Adjustable Peg-Legs
- Optional Wheel Casters

### INCLUDED COMPONENTS

- Front Vented Kick Plate
- Back Solid Kick Plate
- (4) Adjustable Peg Legs

### PRODUCT DIMENSIONS

34"W x 28-1/4"D (w/Panels) x 34-1/2"H (w/Legs) or 30-1/2"H (no Legs) or Upto 36" Max Adjustable Height

### INSERTABLE PRODUCTS

SAPWD30PRO

### MATERIAL SPECS

304 Stainless Steel entire structure, 18 Gauge for Panel, 18 Gauge for Cabinet Box

service@sunstonemetalproducts.com

**CALL OUR TECH. SUPPORT 888-934-9449**