

NEO-SM-35

Surface Mounted Downlight



Description

The NEO-SM-35 is a dimmable surface mounted 35W LED downlight that features chip on board technology (COB). The single COB is able to emit over 2700 lumens of functional light while the 60° beam spread provides a nice effect at floor level. NEO-SM-35 is a great option for those looking at an alternative to recessed downlights. The NEO-SM range can either blend in, or feature, as it is available in both satin white or black finishes.

The NEO-SM-35 comes complete with your choice of warm white or white LED, dimmable LED driver (with flex and plug), glass diffuser and is backed by the Domus Three Year Replacement Warranty for peace of mind.



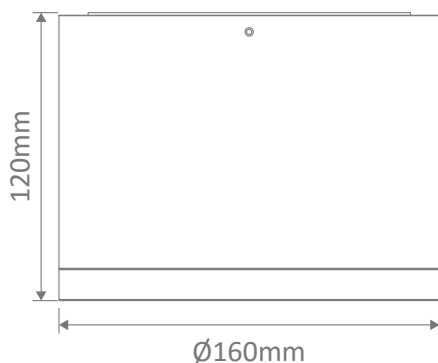
Specification Features

- Input Voltage: 240V AC
- Power (W): 35W
- IP rating (IP): IP54
- Lumens (lm): Warm White 3000K - 3100lm
Neutral White 4000K - 3150lm
White 5000K - 3200lm
- LED type: COB
- CCT: 3000K - 4000K - 5000K
- CRI: ≥80
- Beam angle (°): 60°
- Dimmable: Yes*
- Lifespan (hrs): 50,000hrs

**Tested on the Domus Dimmer Series. May work on others but not tested.*



Diagrams / Additional



Item No.	Variant	Colour
NEO-SM-35-BLK-WW	20692	Warm White
NEO-SM-35-BLK-NW	20698	Neutral White
NEO-SM-35-BLK-W	20693	White
NEO-SM-35-WHT-WW	20696	Warm White
NEO-SM-35-WHT-NW	20699	Neutral White
NEO-SM-35-WHT-W	20697	White