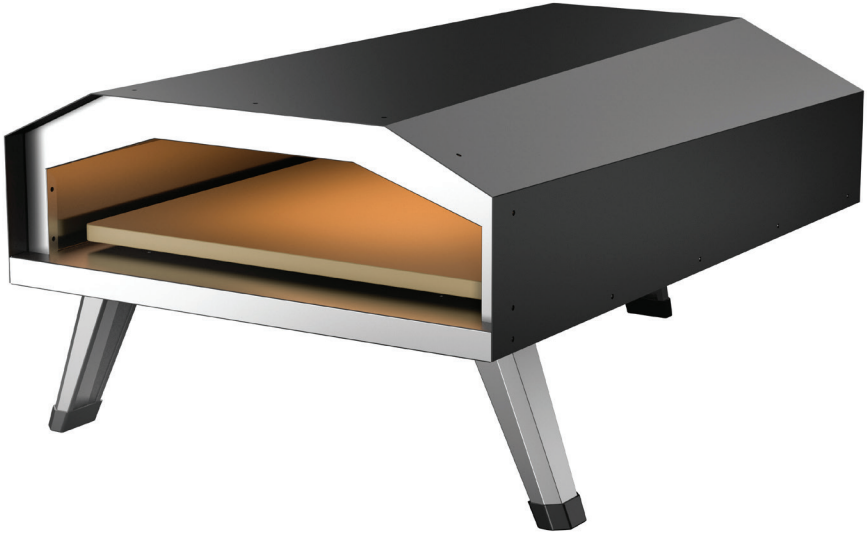


Healthy Choice[®]

13" GAS PIZZA OVEN



Model: POG130(GB-GO13E)
Batch: PR4770

OUTDOOR USE ONLY

DO NOT OPERATE THIS APPLIANCE BEFORE READING THE USER MANUAL
DO NOT PLACE ANY ARTICLES ON OR AGAINST THIS APPLIANCE
DO NOT STORE CHEMICALS, FLAMMABLE MATERIALS OR SPRAY AEROSOLS
NEAR THIS APPLIANCE
DO NOT OPERATE THE APPLIANCE INDOORS OR IN AN ENCLOSED AREA
DO NOT OPERATE THIS APPLIANCE BEFORE LEAK-CHECKING THE HOSE
AND GAS CYLINDER CONNECTIONS



IMPORTANT SAFEGUARDS



PLEASE READ AND SAVE THIS INSTRUCTION MANUAL
FOR FUTURE REFERENCE

WARNING

Hazardous fire or explosion may result if instructions are ignored. It is the consumer's responsibility to ensure that the pizza oven is properly assembled, installed, and taken care of. Failure to follow these instructions could result in fire, explosion or burn hazard which could cause property damage, personal injury or death.

FOR OUTDOOR USE ONLY

The appliance is not intended for commercial use.

WARNING

This appliance shall be used only outdoors, and shall not be used in a building, garage, or any other enclosed area.

WARNING

Before cleaning, make sure the gas supply and control knob are in the OFF position and that the burner and oven have cooled.

WARNING

Never leave the operating appliance unattended. If a fire should occur, keep away from the appliance and immediately call your fire department. Do not attempt to extinguish an oil or grease fire with water.

FOR YOUR SAFETY IF YOU SMELL GAS:

1. Turn off the gas supply at the gas cylinder.
2. Extinguish any open flame.
3. Check for leaks as detailed in this manual.
4. If the odour continues, contact your gas supplier or fire department immediately.



IMPORTANT SAFEGUARDS



IMPORTANT FOR YOUR SAFETY

Keep the fuel supply hose away from any heated surfaces.

Do not place articles against the appliance.

Accessible parts may be very hot. Keep children and pets away from the appliance at all times.

Do not move the appliance when in use.

This appliance is not intended for and should never be used as a heater.

Turn off the gas supply at the gas cylinder after use.

Do not modify the appliance.

The regulator and hose must be connected correctly to the appliance. A spanner must be used to tighten the nut onto the connection thread.

Do not spray aerosols in the vicinity of this appliance while in operation.

WARNING

Spiders and insects can nest inside the burner of the appliance and disrupt gas flow. Inspect the burner at least once a year.

WARNING

Do not store this appliance indoors unless the gas cylinder is disconnected.

WARNING

Do not store gas cylinders in a building, garage or any other enclosed area and keep out of reach of children at all times.

WARNING

This appliance is not intended to be installed in or on recreational vehicles and/or boats.

WARNING

Check all gas supply fittings for leaks before each use. Do not use the appliance until all connections have been checked and do not leak. Do not smoke while leak testing. Never leak test with an open flame. When lighting, keep your face and hands as far away from the appliance as possible.



IMPORTANT SAFEGUARDS



WARNING

The appliance should not be located or used under overhead unprotected combustible construction materials or surfaces. This appliance must be kept away from flammable materials during use. The minimum clearance shall be at least 3m from any structure or combustible material.

WARNING

It is not recommended to use the pizza oven on or under an apartment balcony or deck.

WARNING

Clean and inspect the hose before each use of the appliance. If there is evidence of abrasion, wear, cuts, or leaks, the hose must be replaced prior to the appliance being put into operation. The replacement hose and regulator assembly must be certified to AS/NZS1869 and AS4621, with 5/8-18 UNF thread.

LP GAS CYLINDER WARNINGS

1. Any LP cylinder not connected for use shall not be stored in the vicinity of this appliance.
2. Never fill the cylinder beyond 80 percent capacity.
3. Liquid propane cylinder must be fitted with an OVERFILL PROTECTION DEVICE (OPD).
4. Leak test all connections after each cylinder refill or before each use.
5. Never check for leaks with a match or open flame.
6. If the information above is not followed exactly, a fire resulting in death or serious injury may occur.

WARNING

Do not use an adaptor at the cylinder connection.



IMPORTANT SAFEGUARDS



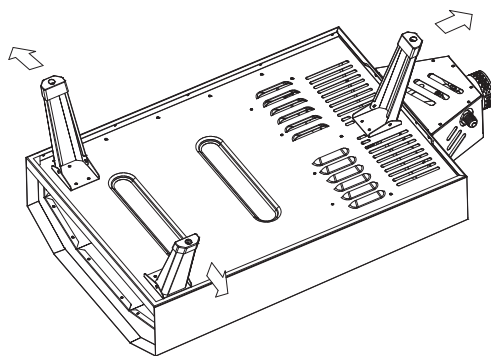
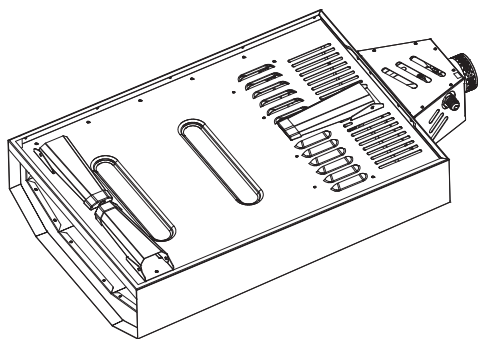
WARNING

This manual states that the installation must conform with local codes or, in the absence of local codes, with the National Gas Code, AS/NZS 5601, Storage and Handling of Liquefied Petroleum Gases, AS/NZS 1596.

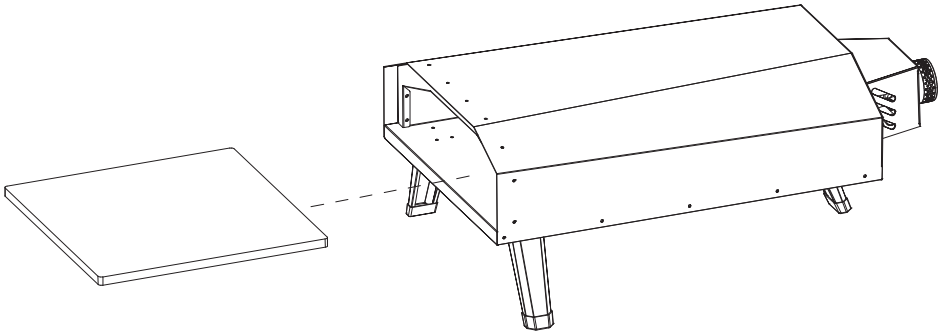
ASSEMBLY

Please read all instructions thoroughly before proceeding. Make sure all parts are present. If any parts are missing or damaged, do not assemble the appliance. Contact Lennox Electronics customer service for replacement parts.

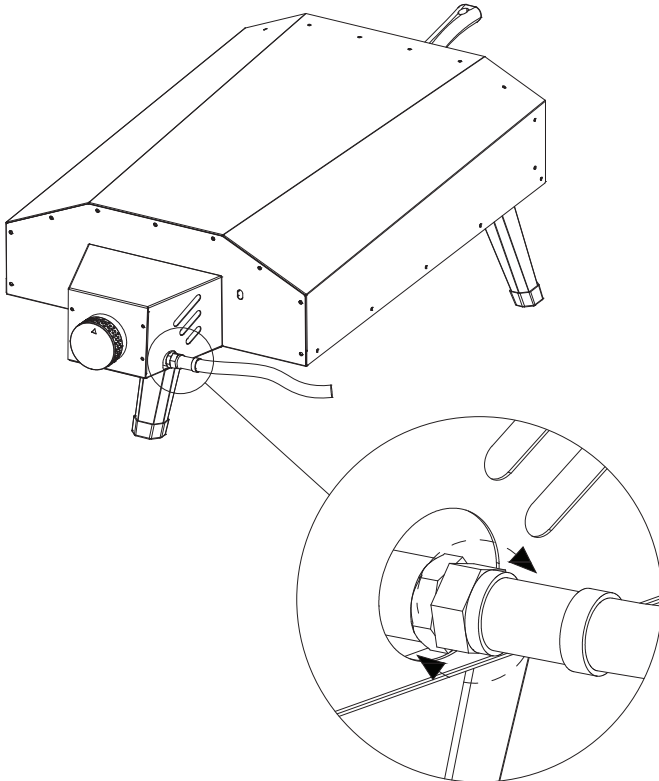
1. Unfold legs



2. Insert the pizza stone



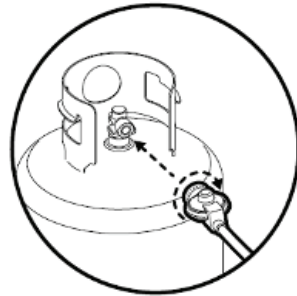
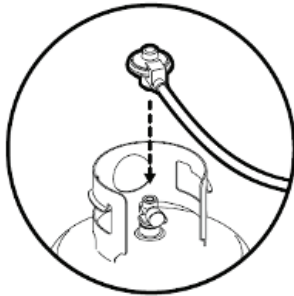
3. The gas hose is already preassembled. Check the connection for leaks.



GAS REGULATOR

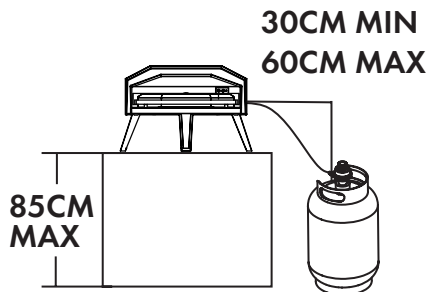
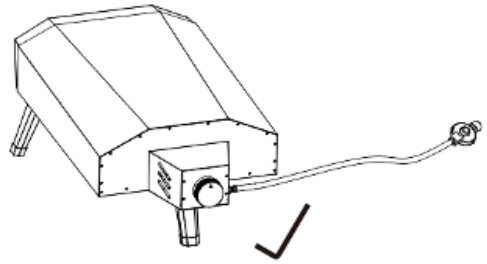
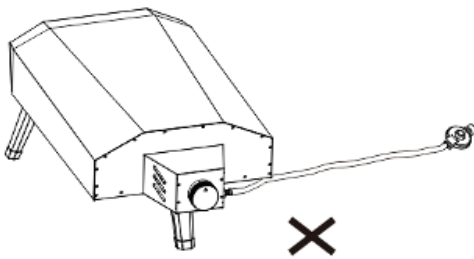
Type 27 gas regulator

Make sure that the tank is completely switched off and screw the regulator as far as possible into the gas tank valve.



IMPORTANT

Always route the gas hose away from the oven. The hose must NOT touch the oven body.



CONNECTING THE GAS CYLINDER

WARNING

Please always keep the gas bottle in upright position.

If the appliance is not in use, the gas must be turned off at the supply cylinder.

Connecting the liquid propane gas cylinder

1. The cylinder valve & burner valve should be in OFF position.
2. Inspect the valve connections, port and regulator assembly. Inspect the hose for damage.
3. When connecting the regulator assembly to the valve, use your hand to tighten the nut clockwise until it stops. Use of a wrench could damage the quick coupling nut and result in a hazardous situation.
4. Open the cylinder valve fully by turning the valve counterclockwise.
5. Before lighting the oven, use a soap and water solution to check all connections for leaks.
6. If a leak is found, turn the cylinder valve OFF, and fix the fault. Recheck for leaks.

Disconnecting the liquid propane gas cylinder

1. Turn the oven burner valve OFF and make sure the oven is cool.
2. Turn the liquid propane cylinder valve OFF by turning clockwise until it stops.
3. Detach the regulator assembly from the cylinder valve by turning the quick coupling nut clockwise.
4. Place dust cap for cylinder valve outlet whenever the cylinder is not in use.



GAS CYLINDER



The gas cylinder should not be dropped or handled roughly. If the appliance is not in use, the cylinder must be disconnected. Replace the protective cap on the cylinder after disconnecting the cylinder from the appliance.

Always connect or replace the cylinder in a well-ventilated area and away from any source of ignition, never in the presence of a flame, spark or heat source.

Cylinders must be stored outdoors in an upright position and out of the reach of children. The cylinder must never be stored where temperatures can reach over 50°C. Do not store the cylinder near flames, pilot lights or other sources of ignition. **DO NOT SMOKE.**

SAFETY PRACTICES TO AVOID INJURY

When properly cared for, your pizza oven will provide safe, reliable service for many years. However, extreme care must be used as the oven produces intense heat that can increase the risk of accidents.

When using this oven, basic practices must be followed, including but not limited to the following:

- Do not repair or replace any part of the oven unless specifically recommended in this manual. All other service should be referred to a qualified technician.
- Children should not be left alone or unattended in an area where the oven is being used. Do not allow children to sit, stand or play around the oven at any time.
- Never let clothing or other flammables come in contact with or too close to any burner or hot surface until it has cooled. The fabric could ignite, causing serious personal injury.
- For personal safety, wear proper apparel. Loose fittings garments or sleeves should never be worn while using the oven. Some synthetic fabrics are highly flammable and should not be worn while cooking.
- Do not heat unopened food containers as a build-up of pressure may cause the containers to burst. When lighting the burner, always pay close attention to what you are doing.
- When using the oven, do not touch the outer shell, pizza stone or immediate surroundings as these areas become extremely hot and could cause burns.
- Do not use the oven to cook extremely fatty meats or other products which increase flare-ups.
- Keep the area surrounding the oven free from combustible materials including fluids, trash and vapours such as gasoline or charcoal lighter fluid.
- Do not obstruct the flow of combustion and ventilation air.
- Never use the oven in extremely windy conditions.
- The temperature under the oven is high. Do not place the oven on a table with flammable tablecloths, plastic or any other inflammable materials.

OPERATING INSTRUCTIONS

Before you begin, make sure your pizza oven has been leak tested and properly placed. Remove any remaining packing material.

BEFORE USE CHECK FOR LEAKS

Never check for leaks with a naked flame, always use a soapy water solution.

To check for leaks

Prepare 120ml of leak-detecting solution by mixing 1 part dishwashing liquid with 2 parts water. You will need a spray bottle, brush or rag to apply the solution to the fittings.

Ensure the control valve is OFF.

Turn the gas cylinder valve on counterclockwise to open the valve.

Apply the soap solution to all gas fittings. Soap bubbles would appear where a leak is present.

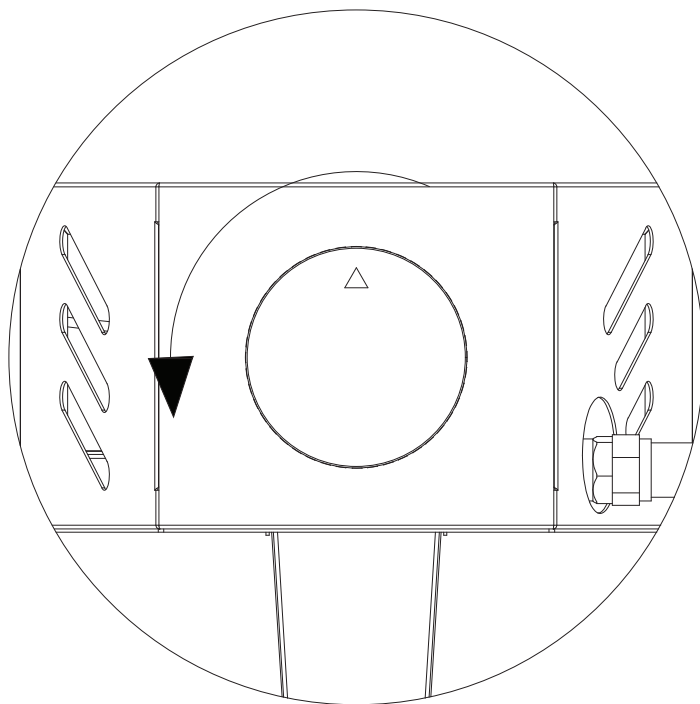
If you detect a leak, immediately turn the gas supply OFF and tighten leaky fittings.

Re-test after fixing the fault.

OPERATING INSTRUCTIONS

To light the burner

1. Make sure the control knob is in OFF position, and then turn the liquid propane cylinder valve ON by slowly turning anticlockwise.
2. Push in and slowly turn the control knob anticlockwise until you hear a click and the burner ignites.
3. If the burner doesn't light, turn the knob OFF, wait 5 minutes and repeat the lighting.



OPERATING INSTRUCTIONS

To light with a match

1. If the burner will not light after several attempts using the control knob, the burner may be lit with a match.
2. If you have already attempted to light the burner using the control knob, wait 5 minutes for any gas to dissipate.
3. Insert a match into a matchstick holder, ignite the match and insert through the oven opening to the burner.
4. Push and turn the control knob to MAX slowly, while holding the control knob in for 10 seconds, the burner should ignite immediately.
5. If the burner does not light within seconds, turn the control knob OFF and wait 5 minutes and try again.

CLEANING AND CARE

We recommend cleaning the oven after each use to extend its life as well as prevent accumulated grease from catching fire.

CAUTION

All cleaning and maintenance should be carried out when the oven is cool and with the gas supply turned OFF at the gas cylinder.

Oven interior

Wipe down with a paper towel between uses to remove any debris.

Pizza stone

1. DO NOT use the stone over an open flame.
2. Avoid extreme temperature changes to the stone. DO NOT place frozen foods on a hot stone.
3. The stone is fragile and can break if bumped or dropped.
4. The stone is very hot during use and stays hot for a long time after use.
5. DO NOT cool the stone with water when the stone is hot.
6. After cleaning the stone with water, please dry the stone before use.
7. Burnt on food can be cleaned by flipping the stone where it will clean itself due to the high oven temperatures.

Other areas of the oven

Clean when required using a non-abrasive sponge.

Storage of Appliance

Storage of an appliance indoors is only permissible if the gas cylinder is disconnected and removed from the appliance. When the appliance is not to be used for a period of time it should be stored in its original packaging and stored in a dry & dust-free environment.

TROUBLESHOOTING

Problem	Possible cause	Solution
Burners will not light using the ignition system	<ol style="list-style-type: none">1. LP gas cylinder is empty2. Coupling nut and regulator are not fully connected3. Obstruction of gas flow4. Disengagement of burner to valve5. Incorrect assembly	<ol style="list-style-type: none">1. Replace the gas cylinder.2. Turn the coupling nut about one-half to three-quarters additional turn until solid stop. Tighten by hand only - do not use tools.3. Clear burner tube.4. Reengage burner and valve.5. Check steps in assembly instructions.
Burner will not light with a match	<ol style="list-style-type: none">1. LP gas cylinder is empty2. Faulty regulator3. Obstructions in burner	<ol style="list-style-type: none">1. Replace the gas cylinder.2. Have the regulator checked or replaced.3. Clean the burner.
Low flame or flashback (fire in burner tube - a hissing or roaring noise may be heard)	<ol style="list-style-type: none">1. LP gas cylinder is empty2. Obstructions in burner/burner tubes3. Pressure drop during ignition4. Windy conditions	<ol style="list-style-type: none">1. Replace the gas cylinder.2. Clean burner and/or burner tubes.3. Ensure the gas cylinder valve is fully open.4. Use the pizza oven in a more sheltered position.
Flare-up	<ol style="list-style-type: none">1. Grease build-up2. Excessive fat in meat3. Excessive cooking temperature4. Excess flour on the cooking surface	<ol style="list-style-type: none">1. Clean the oven.2. Trim fats from meat before cooking.3. Adjust (lower) temperature accordingly.4. Brush remnant flour from cooking surface.

LENOXX®

www.lenoxx.com.au



1300 666 848



LenoxxElectronics



LenoxxElectronics



@LenoxxAustralia