

Healthy Choice[®]

12" ELECTRIC PIZZA OVEN



Model: POE120 | Batch: PR4770

HOUSEHOLD USE ONLY

Carefully read all instructions before use and save for future reference.



IMPORTANT SAFEGUARDS



Before you start using the high-temperature pizza oven, read the following instructions carefully and keep this manual for future reference. If you pass on the product to someone else, please also pass on this manual.

READ ALL INSTRUCTIONS BEFORE USE AND SAVE FOR FUTURE REFERENCE.

When using electrical appliances, basic safety precautions should always be followed including:

1. The appliance is suitable for outdoor use.
2. Do not use the pizza oven if it is damaged, if the heating element cracks, if the power cord or plug are damaged, if the appliance has been dropped or if there is any other damage to the unit.
3. Completely unwind the power cord before each use. Make sure that the power cord is not damaged by sharp edges or hot objects.
4. Unplug the device from the outlet after every use, when not using the oven, before cleaning or storing, if a malfunction occurs during the operation and during thunderstorms.
5. Always pull the plug, not the cord.
6. Do not make any modifications to the device or to the power cord.
7. Connect the device to a properly installed outlet with a voltage corresponding to that listed on the rating label.
8. Ensure that the power outlet is easily accessible so that you can quickly unplug the power cord if necessary.
9. The appliance is not intended to be operated by means of an external timer or a separate remote-control system.
10. The supply cord should be regularly examined for signs of damage, and if the cord is damaged, the appliance should not be used. The supply cord must be replaced by the manufacturer, its service agent or similarly qualified persons to avoid a hazard.
11. The appliance is intended to be used in private household applications only.
12. The oven may be used in enclosed spaces with adequate ventilation or with adequate shelter and not as a built-in device.



IMPORTANT SAFEGUARDS



13. Do not place oil or baking paper directly on the baking stone.
14. Do not place cardboard, plastic, paper or other flammable materials in the oven.
15. Do not use the appliance without the baking stone in place.
16. To avoid any direct contact with the oven, a pizza peel should be used at all times when inserting a pizza into the cavity, unless cooking a pan pizza.
17. Do not use oven cleaners and metal scourers to clean this appliance.
18. Do not immerse in water or any other liquids.
19. Do not use the unit near a sink or other places where it could come in contact with splashing water.
20. Do not use a hose or pressure washer to clean this appliance.
21. Only store the baking stone inside the oven.
22. Do not lean or set items on top of the oven.
23. This appliance generates heat during use. Do not touch hot surfaces. Use handles or knobs. Always protect your hands with oven mitts or similar.
24. This appliance is for household use only. Do not use in any type of moving vehicles.
25. The manufacturer assumes no liability for damage resulting from improper use.
26. This device is not intended to be used by people (including children) with limited physical, sensory or mental abilities or lack of experience and/or knowledge unless they are supervised or given prior instructions concerning the use of the appliance by someone responsible for their safety.
27. Keep children away from packaging materials. To avoid choking hazard for young children, remove and safely dispose of the packing materials and protective cover fitted on the power plug.
28. Children should be supervised to ensure that they do not play with the appliance.
29. If the appliance is to be cleaned, moved, assembled or stored, always switch the unit off and allow it to cool completely, before unplugging it from the power outlet.
30. It is recommended to regularly inspect the appliance and power cord.

CAUTION

Risk of burns.

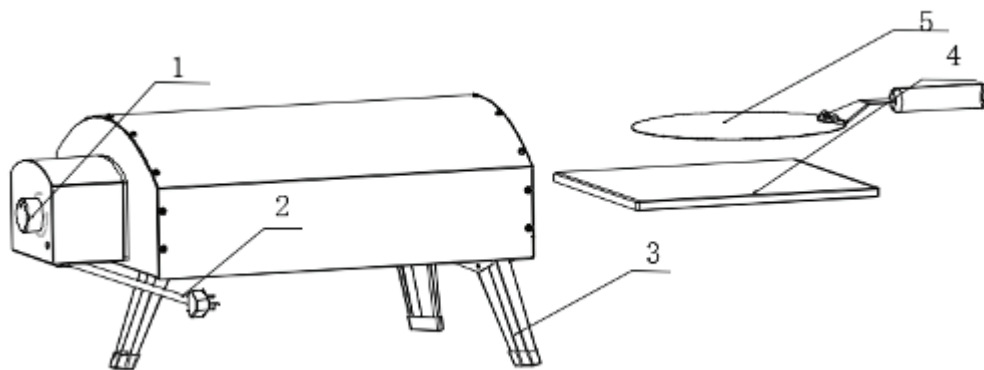
The housing parts are hot during use. Do not touch while the unit is in operation.

- Be especially careful when putting food into the hot device or removing hot food or accessories. Please use oven mitts or similar.
- Do not place any objects such as paper towels or pre-packaged foods on or inside the oven.
- Do not leave the appliance unattended during use or while heating up and cooling down.
- Overheated food or hot oil can catch fire.
- Allow the oven to cool completely before you move, clean or put it away.
- Located on the sides and top of the device's housing are cooling slots. On the bottom of the housing are air intakes. These may not be covered as the device could overheat and become a fire hazard.
- Food must not touch the heating element. This is extremely hot and foods may ignite. Fire hazard.
- Be careful and never touch the heated parts of the oven.
- Fats and oils can ignite when not used properly. Never attempt to extinguish with water. Disconnect the device from the electrical outlet and use a suitable extinguishing agent.

LOCATION & OPERATION

- Set the device on a stable, level, heat-resistant and clean surface. Do not use the appliance on (or close to) a hot gas or electric burner, or where it could touch a heated oven or other hot surface.
- Avoid heat build-up and place the unit in an area that allows heat occurring during use of the device to dissipate.
- The legs of the pizza oven also serve as spacers between the bottom of the device and the surface on which it is placed. They must not be dismantled.
- The minimum distance on the sides of the device must be at least 15 cm and a minimum of 50 cm above.
- Be careful when roasting or toasting. We advise against cooking of oily or dry foods.
- Do not place the device under a wall cabinet or in a corner. Keep a safe distance from flammable materials such as curtains or tablecloths.
- Keep the oven away from water. This is especially true when the oven is hot.
- When cleaning do not use aggressive cleaning agents, abrasive cleaners, hard sponges etc.
- When cleaning, do not spray any liquids onto or into the unit. Use a moist cloth with gentle cleaning agents.

YOUR PIZZA OVEN



1. Temperature regulator
2. Power cord
3. Legs (foldable)

4. Pizza stone
5. Pizza peel

BEFORE FIRST USE

In order to remove any protective substances on the heating elements, it is necessary to run the oven empty for 20 minutes. Ensure the area is well-ventilated as the oven may emit vapors. These vapours are safe and are not detrimental to the performance of the oven.

1. Remove and safely discard any packing material and promotional labels from the oven.
2. Remove the pizza stone from its packaging and place it in the oven cavity.
3. Wipe the interior of the oven with a soft, damp sponge.
4. Place the oven on a clean, flat, stable surface. Remove any flammable objects and materials, including tablecloths. Think about ventilation when choosing a suitable place for your oven. Very high cooking temperatures can sometimes cause food to burn, which can produce smoke. Ensure there is a minimum distance of 15cm of space on both sides of the oven and 50cm above.
5. Unwind the power cord completely and insert the power plug into a grounded power outlet.
6. Turn the dial to MAX to start the oven.
7. Let the oven run for 20 minutes.
8. The oven is now ready to use.

NOTE

When you intend to transport the oven, remove the pizza stone and pack separately to avoid breakage.

Make sure the oven is preheated before placing the pizza in the cavity.

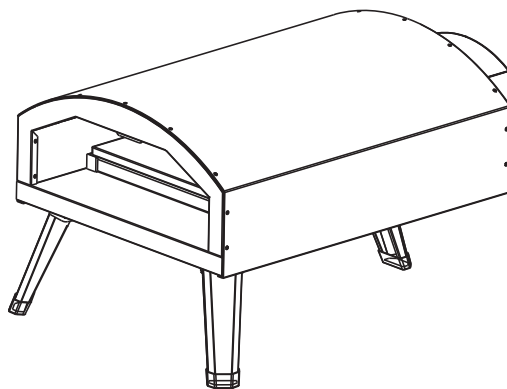
For high-temperature cooking functions, we recommend you monitor and stay close to the oven as your food can quickly become overdone and eventually ignite.

OPERATION

1. Make sure that the voltage corresponds with that listed on the rating label.
2. Connect power supply. The power indicator light is on.
3. Turn the temperature regulator to the *MAX* position.
4. The appliance will be ready to use in about 15 minutes.

Tip:

Ensure the pizza is placed in the centre of the pizza stone for even heat distribution and uniform baking.



TEMPERATURE REGULATOR

Turn the dial clockwise to increase the oven temperature.

Turn anticlockwise to reduce the oven temperature.

Maximum temperature: 450°C.

CLEANING & CARE

WARNING

To prevent an electric shock, always unplug the appliance before cleaning.

- The appliance should not require any interior cleaning. Any food residue should burn off when in use. You can use the brush to sweep away excess debris on the stone.
- Over time the interior of the device may discolour slightly. This is completely normal.
- Don't use oven cleaners or metal scourers to clean your pizza oven because they will damage the machine, Wipe the outer body with a soft, damp sponge. A non-abrasive liquid cleanser or mild spray solution may be used to avoid build-up of stains. Apply the cleanser to the sponge, not the oven surface, before cleaning.
- To clean the outside of your pizza oven, wait until it's cool, unplug it and use a lightly damp cloth to wipe the oven body. Dry with a clean towel right away.
- Let all surfaces dry thoroughly prior to inserting the power plug into a power outlet and turning the oven on.

STORING

- You can use the pizza oven outside. Store indoors in dry conditions when not in use.
- Only store the pizza stone inside the oven — don't store food or other items in the oven cavity.
- Do not lean on or put items on top of your device. Doing so could damage your oven.

CLEANING & CARE

PIZZA STONE

1. DO NOT use the pizza stone over an open flame.
2. Avoid extreme temperature changes to the stone. DO NOT place frozen foods on the stone.
3. The stone is fragile and can break if bumped or dropped.
4. The stone is very hot during use and stays hot for a long time after use.
5. DO NOT cool the stone with water or use it when damp.

TROUBLESHOOTING

Problem	Possible cause	Solution
The appliance produces smoke when it is on	<ol style="list-style-type: none">1. Food is touching the heating element.2. The food is smoking without touching the heating element.	<ol style="list-style-type: none">1. Switch off the oven and reposition the food until it is not touching the heating element.2. Interrupt the cooking process immediately and allow the device to cool. Do not reheat the food.
The appliance is not responding or doesn't heat up.	<ol style="list-style-type: none">1. Plug is not plugged in.2. The appliance is not switched on.3. The fuse is broken.	<ol style="list-style-type: none">1. Insert the plug into the mains socket and switch on.2. Turn the appliance on.3. Contact the service.

LENOXX®

www.lenoxx.com.au



1300 666 848



LenoxxElectronics



LenoxxElectronics



@LenoxxAustralia