



# Laptop Desk

LD90

## INSTALLATION INSTRUCTIONS

	<p>A x 4</p> <p>Flat head screw (short)F</p>	<p>B x 4</p> <p>lat head screw (long)</p>
	<p>C x 2</p> <p>Butterfly knob</p>	<p>D x 4</p> <p>Wheel</p>
	<p>E x 2</p> <p>Elbow</p>	<p>F x 2</p> <p>Underframe</p>
	<p>G x 1</p> <p>Link rack</p>	<p>H x 1</p> <p>Desktop board</p>

**LENOXX**

[www.lenoxx.com.au](http://www.lenoxx.com.au)

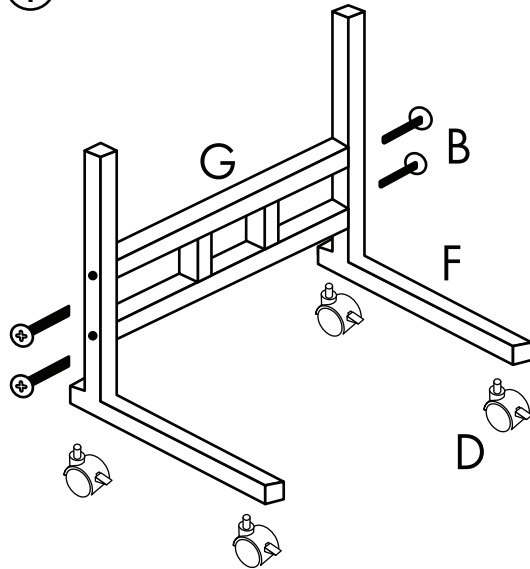
1300 666 848

LenoxxElectronics

LenoxxElectronics

@LenoxxAustralia

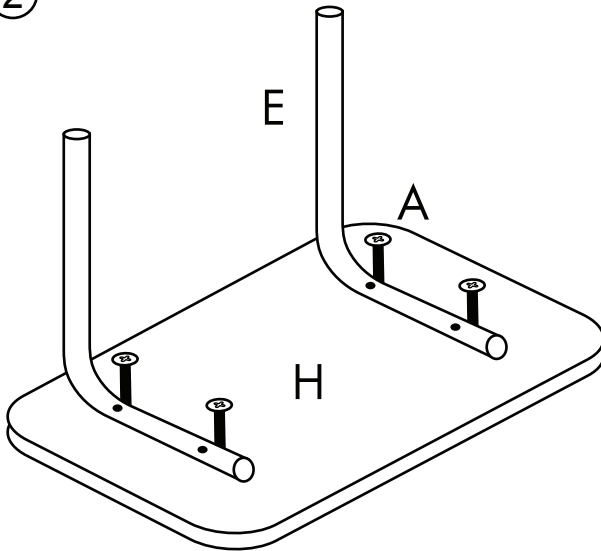
①



Please use B - the flat headed screw (long) to combine G - the link rack and F- the underframe.

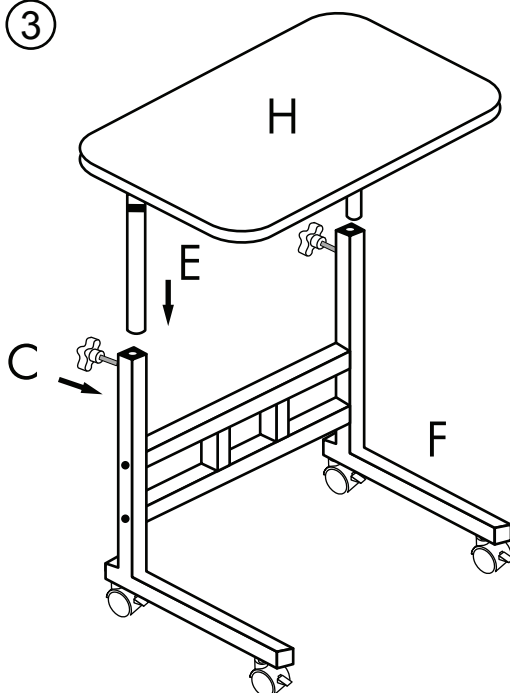
Attach D - the wheels.

②



Align E - the elbows on H - the desktop board and install using A - the flat head screw (short).

③



Attach the assembled part 2 to part 1 at the desired height and tighten the butterfly knobs.