

Assembly Instruction



LENOXX




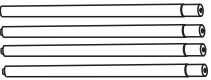





www.lenoxx.com.au

1300 666 848

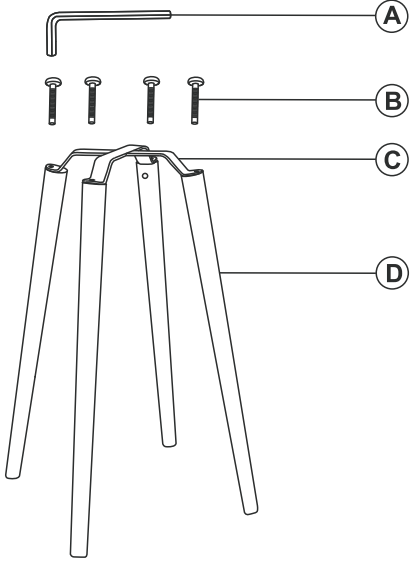
Instagram: LenoxxElectronics

Facebook: LenoxxElectronics

Model Number BS1246G

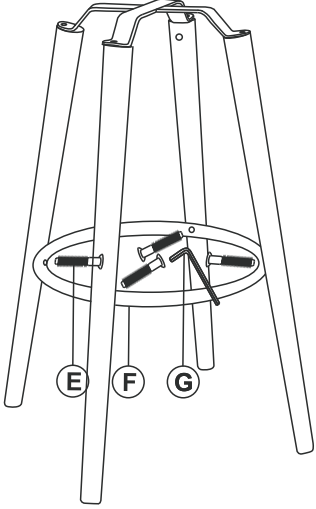
NO	PARTS	QTY
A	 M6	X 1
B		X 4
C		X 1
D		X 4
E		X 4
F		X 1
G	 M5	X 1
H		X 1
I		X 4

1



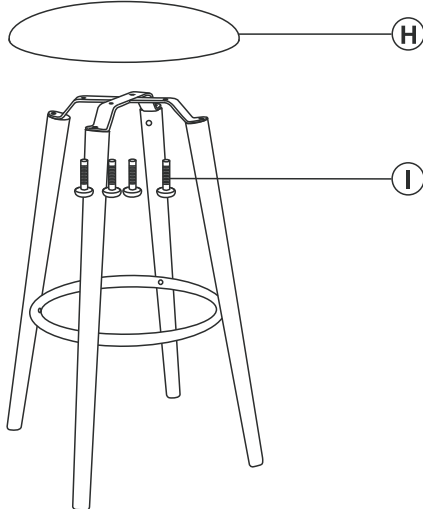
* Ensure all the screws are very loose to get them to fit the holes at this step, then tighten them after step 3.

2



* Ensure all the screws are very loose to get them to fit the holes at this step, then tighten them after step 3.

3



* Fit all the screws and tighten them at this step.

4

