

LENOXX
H600

FREE-STANDING OUTDOOR HEATER



Batch: PR4269

Model: H600

**PLEASE READ AND RETAIN THESE INSTRUCTIONS FOR FUTURE REFERENCE.
THIS PRODUCT IS INTENDED FOR HOUSEHOLD USE ONLY.**

Read these instructions carefully before attempting to assemble, install, operate or maintain the product. Protect yourself and others by observing all safety information. Failure to comply with instructions could result in personal injury and / or property damage.

The illustrations used in the manual are to illustrate the operation method and structure of the product. Where there is a small difference between the physical item and the illustrations, please take the physical as the standard.



WARNING: FIRE RISK EXISTS WHEN THE HEATER IS COVERED BY OR POSITIONED CLOSE TO CURTAINS OR OTHER COMBUSTIBLE MATERIALS.
IN ORDER TO AVOID OVERHEATING, DO NOT COVER THE HEATER



CAUTION - HOT SURFACE

When using this heater, basic precautions should always be taken to reduce the risk of fire, electric shock and injury to persons, including the following:

CAUTION – Due to the high temperature, keep electrical cords, drapery and other furnishings at least 1 meter from the front, side and rear of the heater.

CAUTION - HOT! The heater is hot when it is in use. To avoid burns, do not let bare skin touch hot surfaces.

Safety Warnings:

Please follow all the safety precautions listed below for safety and to reduce the risk of injury or electrical shock.

- Read this Instruction Manual carefully to maximize this appliance's performance and keep for future reference.
- Always ensure that your power supply voltage matches this appliance's rating label.
- Never leave the appliance unattended while in operation. Always unplug the appliance when not in use.

- Caution: Some parts of this product can become very hot and cause burns. Particular attention has to be given when children and vulnerable people are present.
- Always use the handle when moving the heater (if available) or hold on the sides if not available (make sure the unit is turned off). Keep combustible materials such as furniture, pillows, bedding, papers, clothes and curtains at least 1m from the heater.
- Warning: In order to avoid overheating do not cover the heater.
- This appliance can be used by children aged from 8 years and above and persons with reduced physical, sensory or mental capabilities or lack of experience and knowledge if they have been given supervision or instruction concerning use of the appliance in a safe way and understand the hazards involved.
- Children shall not play with the appliance. Cleaning and user maintenance must not be completed by children.
- Children should be kept away unless continuously supervised.
- Do not use the product if there are any visible signs of damage to the appliance.
- Do not attempt to repair or adjust any electrical or mechanical functions on this unit. The unit does not contain any user serviceable parts. Only a qualified electrician should perform servicing or repairs. Attempting to repair the unit yourself will void your warranty.
- If the mains cable is damaged it must be replaced by the manufacturer, its service agent, or similarly qualified persons in order to avoid a hazard.
- This product is suitable for indoor or outdoor use. Do not operate the appliance in direct sunlight, near heat sources, humid environments or in places near water or other liquids such as bathrooms, shower or swimming pool.
- Do not operate with wet hands or spill water or other liquids on to the appliance the mains cable or plug.
- Do not run the power cable under carpeting. Do not cover the power cable with rugs, runner, or similar coverings. Arrange the power cable away from foot traffic and where it will not be tripped over.
- Do not wind the power cable around the unit.
- Do not insert or allow foreign objects to enter any ventilation or opening on the heater, as this may result in electric shock, fire, or damage to the heater.

- To prevent a possible fire, do not block air intakes or exhaust openings in any manner.
- Do not use on soft surfaces, like a bed, where openings may become blocked. Use the heater on flat, dry surfaces only.
- Do not drop or hit/impact the heater.
- Do not use the appliance in areas where petrol, paints or other flammable substances are used or stored.
- Always position the appliance with the mains plug in an accessible position and avoid the use of an extension cables as they may overheat and create a potential fire risk.
- Always ensure the heater is plugged into a suitable socket.
- Be sure that no other appliances are in use on the same electrical circuit as this product as an overload can occur.
- To disconnect heater, turn controls to OFF, then remove plug from socket. Do not unplug by pulling on the power cable.
- Always unplug the unit and ensure the unit is completely cold before moving, cleaning or storing.
- This heater is intended for domestic use only and should not be used commercially for contract purposes. Any alternative use, not recommended by the manufacturer, may result in fire, electric shock, or injury to persons.
- The use of attachments on the heater is not recommended.
- If the supply cord is damaged, it must be replaced by the manufacturer, its service agent or similarly qualified persons in order to avoid a hazard.
- The heater must not be located immediately below a socket outlet.
- Do not use this heater with a programmer, timer, separate remote-control system or any other device that switches the heater on automatically, since a fire risk exists if the heater is covered or position incorrectly.
- Pay attention that, no combustible material due to wind or other environmental influences covers or obstructs the appliance, such as curtains, marquees, flags, plastic foil etc.
- Never rotate the heating part of the appliance during operation. To change the tilt angle of the heating part, we advise you to wait for 15 minutes after the appliance has been switched off.

- Never place anything on your heater's safety guard as this may cause overheating (e.g. towels). Never use your appliance to dry washing.
- Although the heating element has stopped glowing, it may still be live and potentially dangerous. Check that the selection indicator (5) is in position off before taking any action.
- Never operate your appliance if it has fallen over.
- The heater is provided with an anti-tilt switch will switch off the heater if it is overturned, and will switch it on again automatically when it is restored to its upright position.
- The instruments in the minimum installation height 1.8 meters

IPX4 WATER RESISTANCE:

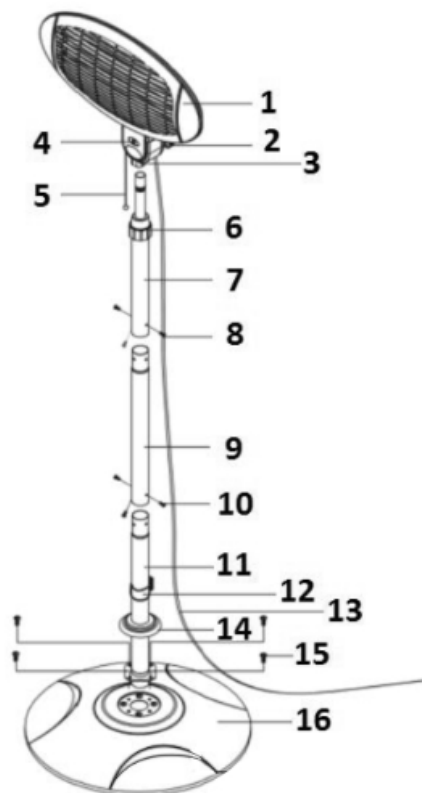
Is resistant to water splashes from any direction.

Before use:

- Remove the heater from the box
- Remove all packaging material
- Check the installation parts

Parts description:

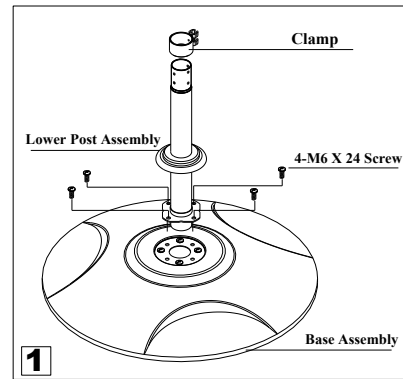
- | | |
|----|---------------------------|
| 1 | Heating Element Assembly |
| 2 | Knob |
| 3 | Body |
| 4 | Position Indication Plate |
| | 0=Off |
| | 1=Low (650W) |
| | 2=Medium (1300W) |
| | 3=High (2000W) |
| 5 | Pull Switch |
| 6 | Tube Cover |
| 7 | Upper Post Assembly |
| 8 | 3 -M5 X 6 Screw |
| 9 | Middle Post |
| 10 | 3-M5 X 6 Screw |
| 11 | Lower Post Assembly |
| 12 | Clamp |
| 13 | Power Cord |
| 14 | Base Cover |
| 15 | 4-M6 X 30 Screw |
| 16 | Base Assembly |



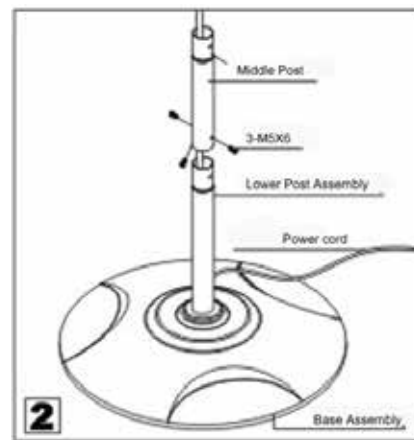
Installation:

Free standing:

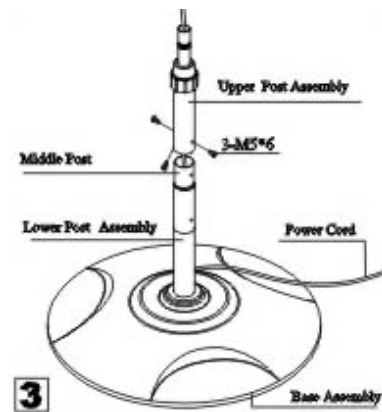
1> Insert the lower post assembly (11) into the base assembly (16) and then fix it tightly by means of 4-M6X30 screw, and insert the clamp (12) into the lower post (11). (fig.1)



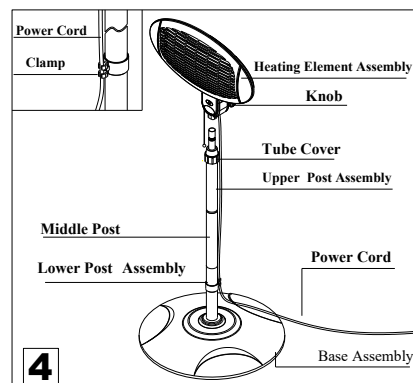
2> Join the Lower Post Assembly (11) and the Middle Post (9) together with 3-M5X6 screw (fig.2)



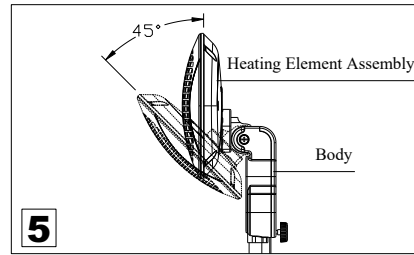
3>Join the Upper Post Assembly (7) and the Middle Post (9) together with 3-M5X6.screw (fig.3)



4>Join the Heating Element Assembly (1) and the Upper Post Assembly (7) together, then fix them tightly by rotating the Knob, and put the power cord supply into the clamp. (fig.4)



5>. According to the request of use angle, Heating Element Assembly can adjust Angle at 0°~45°. (Fig.5)



Installation:

Wall mounted:

1. Use the 4 screws (packaged sperate).
Drill the holes in the wall, insert the plastic expander plugs and install each of the screws.
2. Raise the heater and assemble it on the holes on back of itself.
3. Move the heater smoothly on the right to catch steadily.

Use and controls:

The appliance is switched on by means of the pull switch (5).
The slight vibration that is noticeable when the appliance is switched on will stop after a few seconds.

Output:

- Position 0: Stop
- Position 1: 650W (lower power)
- Position 2: 1350W (medium power)
- Position 3: 2000W (high power)

Cleaning and maintenance:

Regular and careful cleaning helps your heater to operate efficiently for many years.

1. Always remove the plug from the power outlet and allow the heater to cool down before cleaning it.
2. Wipe heater with a soft damp (not wet) cloth.
3. It is necessary to remove dust from the surface regularly.

If you are going not to use heater for long time, wipe it's surface and put the item inside the box it came in.

WARNING:

Do not immerse the heater in water.

Do not use any cleaning chemicals such as detergents and abrasives.

Do not allow the interior to get wet as this could create a hazard.

Attention: never leave heater unattended!

The item is for household use only.

Attention! The manufacturer does not assume any liability for any damage caused directly or indirectly by not following this instruction manual, general safety rules, or interference in the construction of the product

Specifications:

Model	Voltage	Frequency	Electric Power
H600	220-240v~	50-60 Hz	LOW: 650W MEDIUM: 1350W HIGH: 2000W

LENOXX

www.lenoxx.com.au

 1300 666 848

 LenoxxElectronics

 LenoxxElectronics

 @LenoxxAustralia