

LENOXX®

H520

HOUSEHOLD USE ONLY

2000W Convector Heater



Instruction Manual

Model: H220
Batch: PR4614

Safety Precautions

When using electrical appliances, to reduce the risk of fire, electric shock, and/or injury to persons, basic safety precautions should always be followed, including:

For Your Safety

- To prevent fire or shock hazard, DO NOT expose this appliance to rain or moisture.
- Dangerous high voltages are present inside this enclosure. To avoid electric shock, DO NOT open the cabinet, refer servicing to qualified personnel only.
- To protect against fire, electrical shock, and injury to persons, do not immerse the unit, plug, or cord in water or spray with liquids.
- The apparatus shall not be exposed to dripping or splashing and no objects filled with liquids, such as vases, should be placed near the product. Dry location uses only.
- No naked flames sources, such as candles, should be placed on the product.
- Any ventilation holes should not be impeded by covering with items, such as newspaper, table paper, tablecloths, curtains etc. Slots and opening are provided for ventilation to ensure reliable operation of the product and to protect it from overheating. Never obstruct the air inlet and outlet. Do not use any object to cover this appliance.
- Only connect to a suitable AC 240V~50Hz mains wall outlet. Do not overload the wall outlet.
- This appliance is not intended to be operated by means of an external timer or separate remote-control system. Other use not recommended may cause fire, electric shock, or injury.
- This appliance is not intended for use by persons (including children) with reduced physical, sensory, or mental capabilities, or lack of experience and knowledge, unless they have been given supervision or instruction concerning use of the appliance by a person responsible for their safety.
- Keep out of reach of children. Children should be supervised to ensure that they do not play with the appliance.
- To disconnect, grip the plug and pull it from the wall outlet. Never pull by the cord. Never pull by the cord or while hands are wet. Do not use in damp environment.

- Do not attempt to repair, disassemble, or modify the appliance. There is no user-serviceable parts inside. Repairs should only be performed by qualified Electrician. For service, please call Lennox on 03 9267 2100.
- DO NOT USE if supply cord is damaged.
- Do not use this appliance outdoors. This appliance is for household use only and not for commercial or industrial use.
- Do not use if there are visible signs of damage to the heater.
- Do not use this heater if it has been dropped.
- Use this heater on a horizontal and stable surface, or fix it to the wall, as applicable.
- Do not use this heater with a programmer, timer, separate remote-control system, or any other device that switches the heater on automatically, since a fire risk exists if the heater is covered or positioned incorrectly.

WARNING: Do not use this heater in small rooms when they are occupied by persons not capable of leaving the room on their own, unless constant supervision is provided.

Warning: To avoid overheating, DO NOT COVER the appliance.

Warning: Do not place the heater on LONG PILE CARPET OR WOOL RUGS. Use a heat board if necessary.

WARNING: To reduce the risk of fire, keep textiles, curtains, or any other flammable material a minimum distance of 1 m from the air outlet.

WARNING: FIRE RISK EXISTS IF THE HEATER IS COVERED BY OR POSITIONED CLOSE TO CURTAINS OR OTHER COMBUSTIBLE

MATERIALS.

Always

1. Always position the heater in accordance with the instructions.
2. Always make sure the electrical socket is accessible and located adjacent to, but not above the heater.
3. Always use a fire guard when children, animals and infirm person are around the heater. Pay attention! The air outlet gets hot during operation.
4. Always turn the appliance OFF and unplug it from the mains wall outlet when it is not in use, when moving the appliance from one location to another and before cleaning.

Never

1. Never leave the appliance unattended when it is in use. Never leave children unsupervised in a room where the heater is ON and unguarded.
2. Never obstruct or cover the air outlet or force items into the heater openings, this could cause overheating and consequent risk of fire. Never insert or allow foreign objects to enter the air outlet as this may cause damage to the appliance.
3. Never position or use the heater in the immediate vicinity of water, such as bathtub, shower, washbowls, swimming pool etc.
4. Never use aerosols or steam cleaners on or around the heater.
5. Never use the heater in rooms with explosive gas or while using flammable solvents, varnish, or glue.
6. Never route the power supply cord under carpet etc.
7. Never use the heater to dry clothes, etc.
8. Never operate the appliance with a damaged cord or plug, after a malfunction or if it is not working normally, dropped, or damaged in any way.
9. Never let the power cord hang over the edge of a table or counter or let it touch any hot surfaces.
10. Never move the appliance by pulling the cord.
11. Never immerse the product in water or any other liquid for any reasons.
12. Never use accessories that are not recommended or supplied by the manufacturer.

Position Instructions

This heater (where used with the stand) must be placed on a hard, level, heat resistant surface. When positioning, please keep the following points in mind:

- The heater requires no installation. It should be used solely as a portable appliance. The heater must always be used and stored in an upright position.
- This heater must not be located immediately below an electrical outlet.
- The heater MUST only directly be plugged in to a fixed Domestic Power outlet. DO NOT use in conjunction with Extension cords, Power Boards or Double Adaptors, as these can overheat when overloaded.
- Do not use the appliance in rooms less than 4m² areas.
- Keep the air inlet and outlet free from objects at least 100cm in front and 50cm behind the heater. Do not hang anything on or in front of the heater.
- Never position the heater close to curtains or combustible materials such as furniture, cushions, bedding, paper, clothes, curtains etc. Keep the appliance at least 100cm (1m) from walls and any other combustible materials.
- Never position or use the heater in the immediate vicinity of water, such as bathtub, washbowls, swimming pool etc. where the likelihood of immersion or splashing could occur.
- Keep hearthrugs and other soft furnishings away from the front of the heater. They could obstruct the free flow of hot air and damage both soft furnishings and heater.

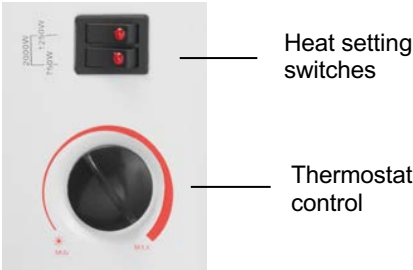
Cautions:

Do not operate the appliance on an inclined place. Do not move the appliance while the appliance is switched on.

To avoid a hazard due to inadvertent resetting of the thermal cutout, this appliance must not be supplied through an external switching device, such as a timer, or connected to a circuit that is regularly switched on and off by the utility.

This heater is hot when in use or directly after use. To avoid burns, do not let bare skin touch hot surfaces. Keep combustible materials such as furniture, pillows, bedding, papers, clothes, and curtains well away from the heater. Do not drape laundry or any other items over the heater. At the end of the product's serviceable life, it should be disposed of carefully and safely in accordance with local authority regulations.

Features Of Your Convection Heater



Getting To Know Your Convection Heater

Congratulations on the purchase of your new heater.

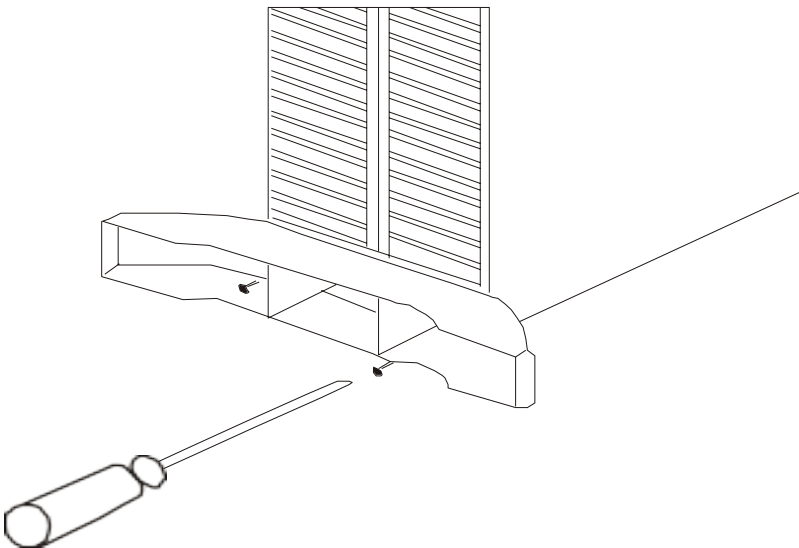
Before you begin using your brand new heater, it is important that you read and follow the instructions in this manual, even if you feel that you are quite familiar with this appliance.

Your attention is drawn particularly to section dealing with 'IMPORTANT SAFEGUARDS'. Find a place to keep this manual handy for future reference.

This appliance has been designed to operate from a standard domestic power outlet. It is not intended for industrial or commercial use.

Assembly

Before using the heater, the feet (supplied separately in the box), must be fitted to the unit. These are to be attached to the base of the heater using the 8 self-tapping screws provided. Take care to ensure that they are located correctly in the bottom ends of the heater side moldings.



Operation

When operated for the first time, the unit may emit an unpleasant burning type smell. This is normal and will disappear after a short period of use.

Insert the plug of the heater into a suitable socket. Turn the thermostat dial fully in a clockwise direction to the maximum setting.

Turn on the heating settings by means of the switches on the side control panel.

You may obtain three heating settings (750W/1250W/2000W) by pressing the relevant heating switch. For 2000W maximum heat output, press both switches simultaneously.



When the desired room temperature has been reached, the thermostat dial should be turned slowly anti-clockwise until the thermostat is heard to click off and the lights on the power switch go out. After this the heater will keep the air temperature in the room at the set temperature by switching on and off automatically.

In the event of a thermal cut-out, check for visible obstructions to air inlets. Try moving the appliance to a new position. Sometimes placement close to walls and furniture can restrict air movement enough to cause the heater to shut down.

Note: When unit has overheated, disconnect from power supply, and allow heater to sufficiently cool down before reusing, this could take 20-30 minutes. When heater has cooled down, plug back into power supply, the red power indicator light on switch will come back ON and heater is ready to begin heating again.

Care and Cleaning

Before cleaning, ensure that the heater is switched in the 'OFF' position and is unplugged from the socket.

Clean the exterior surfaces of the heater with a dry, soft cloth.

Never use any form of detergents or solvents to clean the heater.

Never spray with liquids or submerge in liquids or water.

Do not attempt to clean the interior of the heater.

Do not attempt to open the case of this heater at any time. There are no consumer serviceable parts inside this unit.

When the heater is stored during the off season, neatly wind the power cord around the base of the heater to prevent any damage to the power cord.

Note: If the cord of the appliance becomes damaged discontinue use. Repair should be undertaken only by a qualified electrician.

Specifications

Power supply: AC 240V ~ 50Hz

Power consumption: 2000W

NOTE: As a result of continual improvements, the design, and specifications of the product within may differ slightly to the unit illustrated on the packaging.

Disposal

Do not dispose of packaging or the product through your household waste!

The product and packaging are made from recyclable materials (plastics, metals, paper).

If the product is no longer suitable for use dispose of it in an environmentally friendly manner in accordance with your local council.

Low Heat	Medium Heat	Maximum Heat
Switch I	Switch II	Switch I & II
750W	1250W	2000W

Exclusions

This warranty does not cover:


- Any defects caused by an accident, misuse, abuse, improper installation or operation, lack of reasonable care, unauthorized modification, loss of parts, tampering or attempted repair by a person not authorized by the distributor.
- Any product that has not been installed, operated, or maintained in accordance with the manufacturer's operating instructions provided with the product.
- Any product that has been used for purposes other than domestic use.
- Any damage caused by improper power input or improper cable connection.



Cat. No. H520

LENOXX

www.lenoxx.com.au

 1300 666 848

 LenoxxElectronics

 LenoxxElectronics

 @LenoxxAustralia