

**LENOXX**  
H20

# INFRARED RADIANT HEATER



**Batch: PR4269**

**Model: H20**

**PLEASE READ AND RETAIN THESE INSTRUCTIONS FOR FUTURE REFERENCE.**

**THIS PRODUCT IS INTENDED FOR HOUSEHOLD USE ONLY.**

**Read these instructions carefully before attempting to assemble, install, operate or maintain the product. Protect yourself and others by observing all safety information. Failure to comply with instructions could result in personal injury and / or property damage.**

The illustrations used in the manual are to illustrate the operation method and structure of the product. Where there is a small difference between the physical item and the illustrations, please take the physical as the standard.



**When using this heater, basic precautions should always be taken to reduce the risk of fire, electric shock and injury to persons, including the following:**

**CAUTION** – Due to the high temperature, keep electrical cords, drapery and other furnishings at least 1 meter from the front, side and rear of the heater.

**CAUTION - HOT!** The heater is hot when it is in use. To avoid burns, do not let bare skin touch hot surfaces.

#### **Safety Warnings:**

Please follow all the safety precautions listed below for safety and to reduce the risk of injury or electrical shock.

- Read this Instruction Manual carefully to maximize this appliance's performance and keep for future reference.
- Always ensure that your power supply voltage matches this appliance's rating label.
- Never leave the appliance unattended while in operation. Always unplug the appliance when not in use.
- Caution: Some parts of this product can become very hot and cause burns. Particular attention has to be given when children and vulnerable people are present.
- Always use the handle when moving the heater (if available) or hold on the sides if not available (make sure the unit is turned off). Keep combustible materials such as

furniture, pillows, bedding, papers, clothes and curtains at least 1m from the heater.

- For safe use of the product, the product installation position should have a minimum height of 1.8 m from the ground, and a minimum distance of 0.5m from ceiling, roof and both sides walls.
- The heater must not face with the heating element pointing upwards towards a ceiling. The heater element must be facing the area it is to heat.
- Warning: In order to avoid overheating do not cover the heater.
- This appliance can be used by children aged from 8 years and above and persons with reduced physical, sensory or mental capabilities or lack of experience and knowledge if they have been given supervision or instruction concerning use of the appliance in a safe way and understand the hazards involved.
- Children shall not play with the appliance. Cleaning and user maintenance must not be completed by children.
- Children should be kept away unless continuously supervised.
- CAUTION — Some parts of this product can become very hot and cause burns. Particular attention has to be given where children and vulnerable people are present.
- Do not use the product if there are any visible signs of damage to the appliance.
- Do not attempt to repair or adjust any electrical or mechanical functions on this unit. The unit does not contain any user serviceable parts. Only a qualified electrician should perform servicing or repairs. Attempting to repair the unit yourself will void your warranty.
- If the mains cable is damaged it must be replaced by the manufacturer, its service agent, or similarly qualified persons in order to avoid a hazard.
- Do not handle the element with bare hands. If it is inadvertently touched, remove finger marks with a soft cloth and methylated spirits or alcohol, otherwise the marks will burn into the element causing premature heater failure.
- Do not replace or attempt to replace the element in this product.
- This product is suitable for indoor and outdoor use. Do not operate the appliance in direct sunlight, near heat sources, humid environments or in places near water or other liquids such as bathrooms, shower or swimming pool.
- This product must not be left outdoors exposed to the elements for long periods of time.
- Do not operate with wet hands or spill water or other liquids on to the appliance the mains cable or plug.
- Do not run the power cable under carpeting. Do not cover the power cable with rugs, runner, or similar coverings. Arrange the power cable away from foot traffic and where it will not be tripped over.

- Do not wind the power cable around the unit.
- Do not insert or allow foreign objects to enter any ventilation or opening on the heater, as this may result in electric shock, fire, or damage to the heater.
- To prevent a possible fire, do not block air intakes or exhaust openings in any manner. Do not use on soft surfaces, like a bed, where openings may become blocked.
- Do not use the appliance in areas where petrol, paints or other flammable substances are used or stored.
- Always position the appliance with the mains plug in an accessible position and avoid the use of an extension cables as they may overheat and create a potential fire risk.
- Always ensure the heater is plugged into a suitable socket, one that is tested for outdoor use.
- Be sure that no other appliances are in use on the same electrical circuit as this product as an overload can occur.
- To disconnect heater, turn controls to OFF, then remove plug from socket. Do not unplug by pulling on the power cable.
- Always unplug the unit and ensure the unit is completely cold before moving, cleaning or storing.
- This heater is intended for domestic use only and should not be used commercially for contract purposes. Any alternative use, not recommended by the manufacturer, may result in fire, electric shock, or injury to persons.
- The use of attachments on the heater is not recommended.
- Warning: This heater is not equipped with a device to control the room temperature. Do not use this heater in small rooms when occupied by persons not capable of leaving a room on their own, unless constant supervision is provided.
- Check exterior walls for areas of damage before installing the heater.
- Check exterior walls for communication and electrical cables and pipelines.
- Should any service lines be present in the immediate vicinity do not install your heater, find an alternative location to install this product.
- If the supply cord is damaged, it must be replaced by the manufacturer, its service agent or similarly qualified persons in order to avoid a hazard.
- The heater must not be located immediately below a socket outlet.
- Do not use this heater with a programmer, timer, separate remote-control system or any other device that switches the heater on automatically, since a fire risk exists if the heater is covered or position incorrectly.
- Pay attention that, no combustible material due to wind or other environmental

influences covers or obstructs the appliance, such as curtains, marquees, flags, plastic foil etc.

- Never place anything on your heater as this may cause overheating (e.g. towels). Never use your appliance to dry washing.

**IP55 WATER RESISTANT:**

Protected from water spray from any direction. **IP55**. Protected from limited dust ingress. Protected from low pressure water jets from any direction

**Remote control battery warning:**

**This product contains a coin/button cell battery inside.**

**If swallowed, go straight to a hospital emergency room.**



• **WARNING - KEEP BATTERIES OUT OF REACH OF CHILDREN**

• Swallowing may lead to serious injury in as little as 2 hours or death, due to chemical burns and potential perforation of the oesophagus.

• If you suspect your child has swallowed or inserted a button battery immediately call the 24-hour Poisons Information Centre on 13 11 26 (in Australia) or 24-hour National Poisons Centre on 0800 764 766 (in New Zealand) for fast, expert advice.

• Examine devices and make sure the battery compartment is correctly secured, e.g. that the screw or other mechanical fastener is tightened. Do not use if compartment is not secure.

• Dispose of used button batteries immediately and safely. Flat batteries can still be dangerous.

• Tell others about the risk associated with button batteries and how to keep their children safe.

**Before use:**

- Remove the heater from the box
- Remove all packaging material
- Check the installation parts

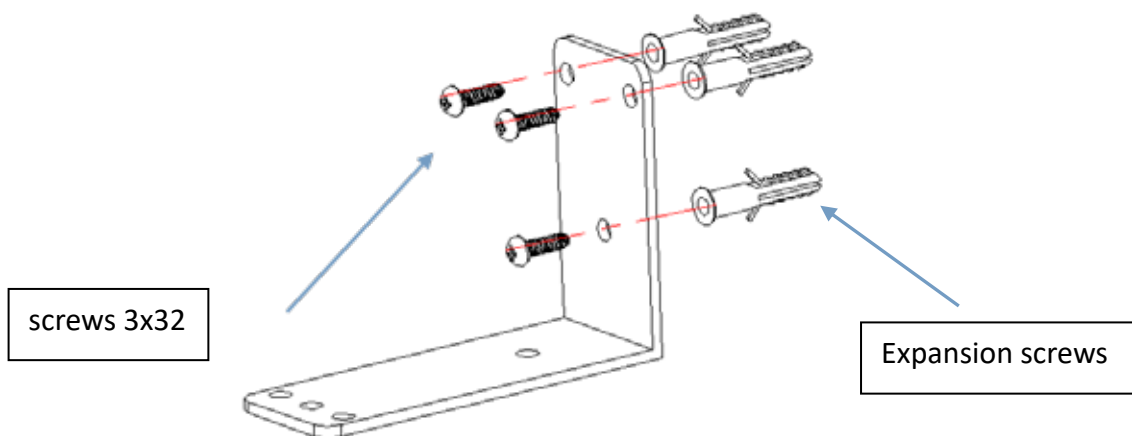
## Installation instructions:

### Step 1:

Mark the hole positions using a pencil (not included) and drill 3 holes into a suitably strong exterior wall by positioning the wall bracket a minimum of 1.8 meters above the ground.

Ensure the holes are straight by using a spirit level (not included).

Using an impact drill (not included), bore the holes in the positions you have just marked.



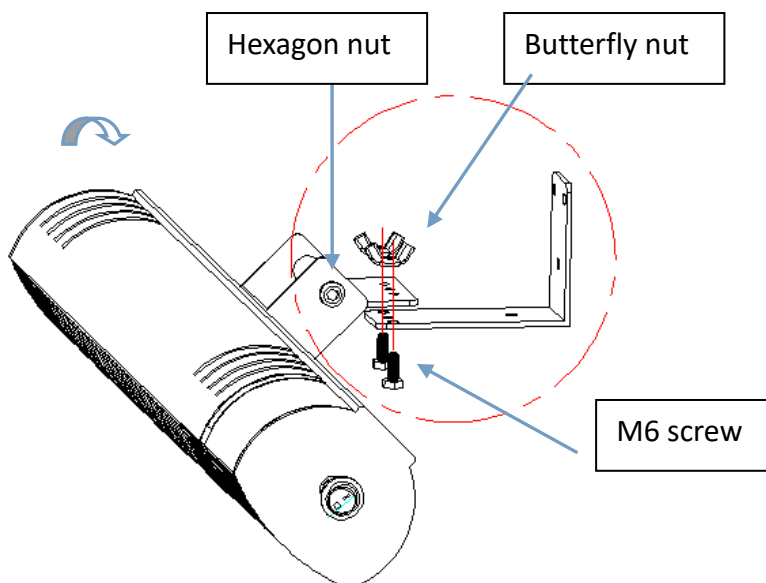
### Step 2:

Insert 3 x universal wall plugs into the drilled holes.

Insert the 3 screws into the fixed bracket and fix the bracket to the wall.

Attach the bracket to the heater using the screws and butterfly nut.

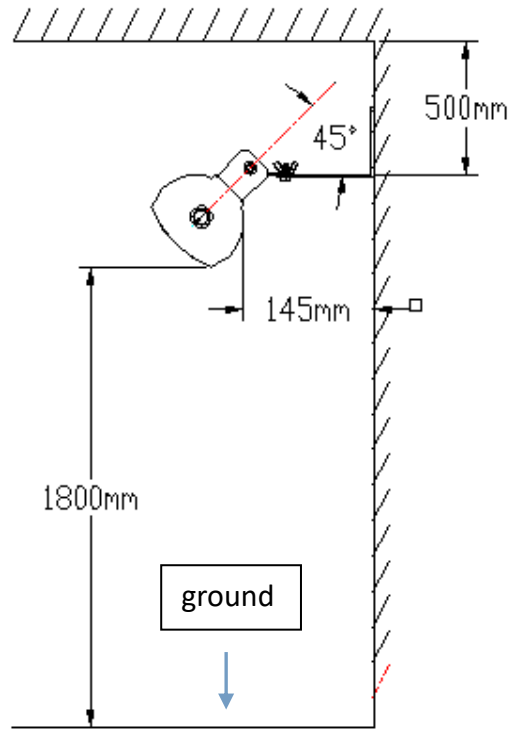
Adjust the installation angle by using the hexagon key on the hexagon nut.



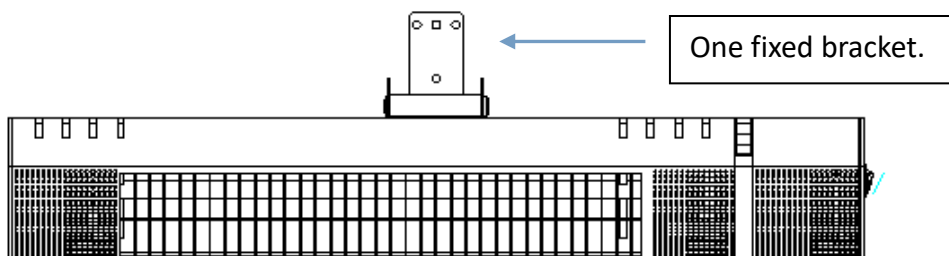


hexagon key wrench

Installation Diagram:



Wall installation with one fixed bracket:



### Use and controls:

Turn the heater on by using the power switch on the side of the heater.

Use the remote control to change the heating level between 750w/ 1500w/ 2000w.

Press the standby button on the remote control to put it into standby mode.

When the heater is in standby mode, press the standby button again to turn it on.

To turn the heater off, use the power switch on the side of the heater.



### Battery installation

Remove the cover of the battery compartment of the remote control according to the diagram on the right.

**Step 1:** Press the ridged area rightward.

**Step 2:** At the same time, pull the battery tray out.

**Step 3:** Place a CR2025 lithium battery on the tray with the positive side facing upward.

**Step 4:** Replace the cover.



### Maintenance and Cleaning:

#### Maintenance:

Careful and regular maintenance of the heater is required to attain a long and efficient operation of your appliance.

- 1- Check the cleanliness of the Reflector and IR-Filament at least once a month. If necessary, apply cleaning and maintenance instructions.
- 2- The number of checks may be increased considering the amount of dust in the environment.
- 3- Check the deformation of the Reflector, Wire and Frame visually while cleaning the appliance. In case of any deformation, consult a qualified technician.
- 4- Check the power cable and plug visually while cleaning the appliance. In case of any deformation, consult a qualified technician.
- 5- It is recommended to change the reflector every 2 years for more efficient operation.

#### Cleaning:

Regular and careful cleaning helps your heater to operate efficiently for many years.

1. Unplug your power cable for your safety before cleaning your appliance.



2. Take out the front grid wire through the inlets on the frame using a slotted screwdriver.
3. The reflector and filament must be cleaned with a soft cloth, a smooth brush or cool or dry air. The cloth may be damp but never too wet and the cleaner should not include any chemicals.
4. Refrain from using cleaning materials likely to damage the reflector (cleanser etc.).
5. Reinsert the wire grid using a slotted screwdriver.

If you are going not to use heater for long time, wipe its surface and put the item inside the box it came in.

**WARNING:**

Do not immerse the heater in water.

Do not use any cleaning chemicals such as detergents and abrasives.

Do not allow the interior to get wet as this could create a hazard.

Attention: never leave heater unattended!

The item is for household use only.

Attention! The manufacturer does not assume any liability for any damage caused directly or indirectly by not following this instruction manual, general safety rules, or interference in the construction of the product.

**Specifications:**

Model	Voltage	Frequency	Electric Power
H20	220-240v~	50-60Hz	LOW: 750W MEDIUM: 1500W HIGH: 2000W

**LENOXX**

[www.lenoxx.com.au](http://www.lenoxx.com.au)

 1300 666 848

 LenoxxElectronics

 LenoxxElectronics

 @LenoxxAustralia