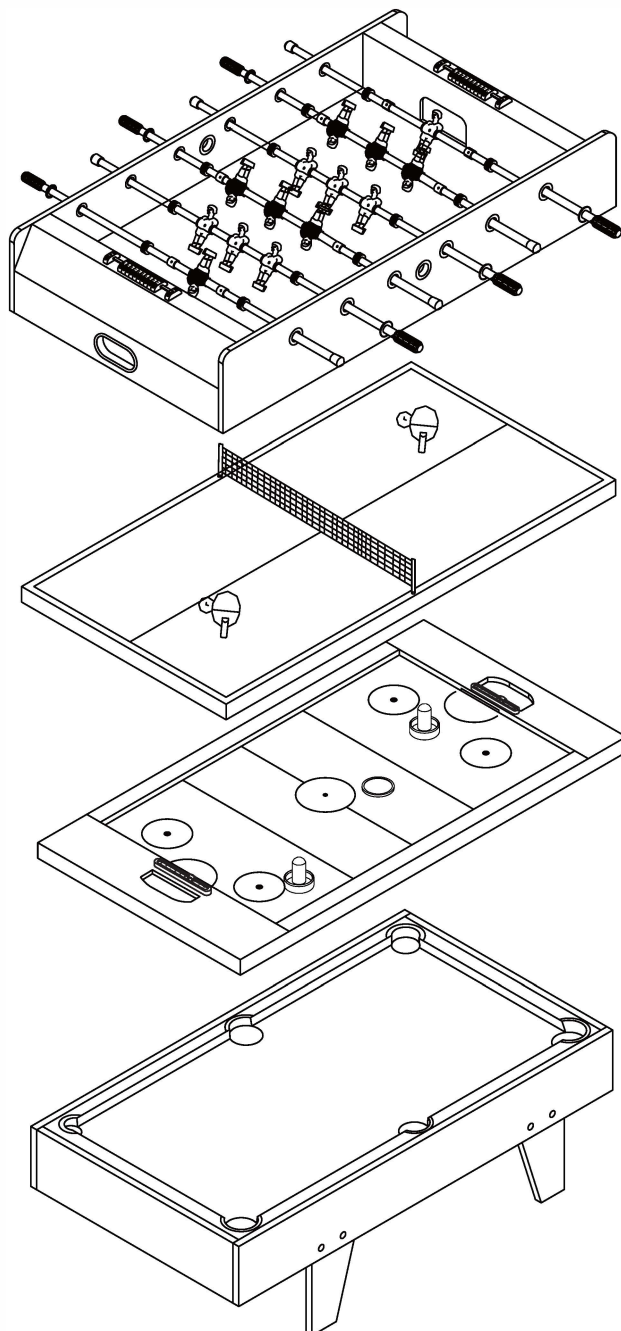


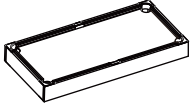
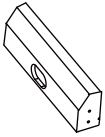
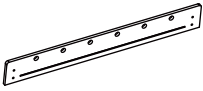
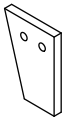
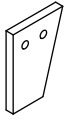
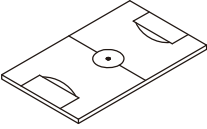
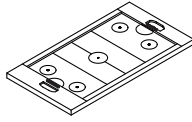

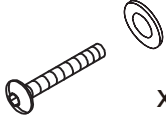
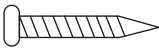
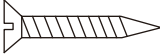



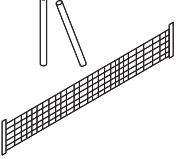
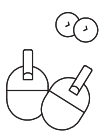

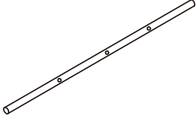






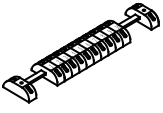

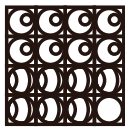






# 4-IN-1 GAMES TABLE

ASSEMBLY INSTRUCTIONS

GT410 | PR4740



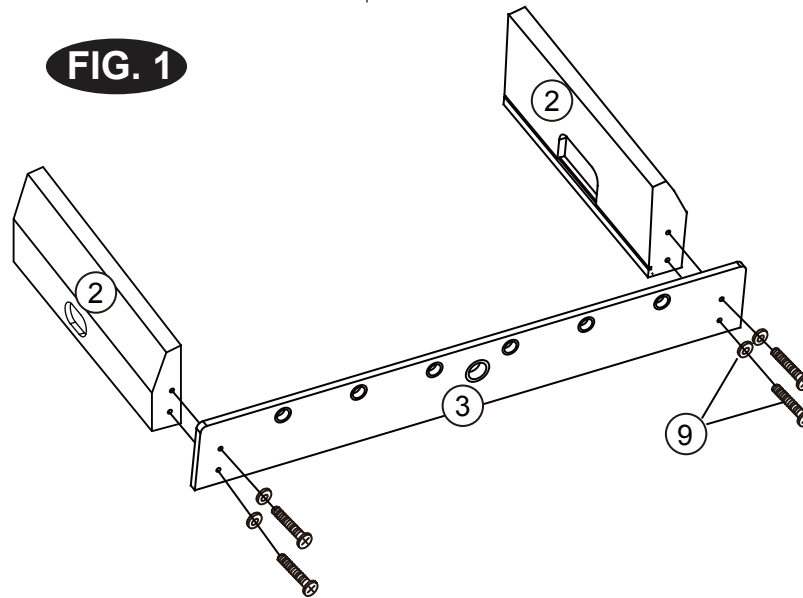
<p><b>1</b></p>  <p>x1</p> <p>Billiard Playfield</p>	<p><b>2</b></p>  <p>x2</p> <p>End panel</p>	<p><b>3</b></p>  <p>x2</p> <p>Side panel</p>	<p><b>4</b></p>  <p>x2</p> <p>Left leg</p>
<p><b>5</b></p>  <p>x2</p> <p>Right leg</p>	<p><b>6</b></p>  <p>x1</p> <p>Soccer Playfield</p>	<p><b>7</b></p>  <p>x1</p> <p>TT/Hockey playfield</p>	<p><b>8</b></p>  <p>x8</p> <p>Dowel</p>
<p><b>9</b></p>  <p>x16</p> <p>6 x 25mm Washer and screw</p>	<p><b>10</b></p>  <p>x18</p> <p>3.5 x 18mm Flat Head Screw</p>	<p><b>11</b></p>  <p>x4</p> <p>3.5 x 25mm Flat Head Screw</p>	<p><b>12</b></p>  <p>x1</p> <p>Allen Key</p>
<p><b>13</b></p>  <p>x2</p> <p>26.5" Cue</p>	<p><b>14</b></p>  <p>x1</p> <p>Triangle</p>	<p><b>15</b></p>  <p>x1</p> <p>Net &amp; Post</p>	<p><b>16</b></p>  <p>x1</p> <p>Paddle &amp; Ball</p>
<p><b>17</b></p>  <p>x2</p> <p>Soccer Ball</p>	<p><b>18</b></p>  <p>x6</p> <p>Player Rod</p>	<p><b>19</b></p>  <p>x7</p> <p>Player - Red</p>	<p><b>20</b></p>  <p>x7</p> <p>Player - Blue</p>
<p><b>21</b></p>  <p>x12</p> <p>Bumper</p>	<p><b>22</b></p>  <p>x1</p> <p>Brush</p>	<p><b>23</b></p>  <p>x6</p> <p>Rod End Cap</p>	<p><b>24</b></p>  <p>x6</p> <p>Handle</p>
<p><b>25</b></p>  <p>x2</p> <p>Scorer</p>	<p><b>26</b></p>  <p>x4</p> <p>Stop ring</p>	<p><b>27</b></p>  <p>x1</p> <p>1" Billiard Ball</p>	<p><b>28</b></p>  <p>x2</p> <p>Round Puck</p>
<p><b>29</b></p>  <p>x2</p> <p>Pusher</p>	<p><b>30</b></p>  <p>x2</p> <p>Felt Pad</p>	<p><b>31</b></p>  <p>x2</p> <p>Chalk</p>	

**ASSEMBLY INSTRUCTIONS:**

1. Find a clean, level place to begin the assembly of your 4-in-1 Games Table.
2. Remove all the parts from the box and verify that you have all of the listed parts as shown on the parts list page. Carefully cut or tear the four corners of the box so that the bottom of the box can be used as your work surface.

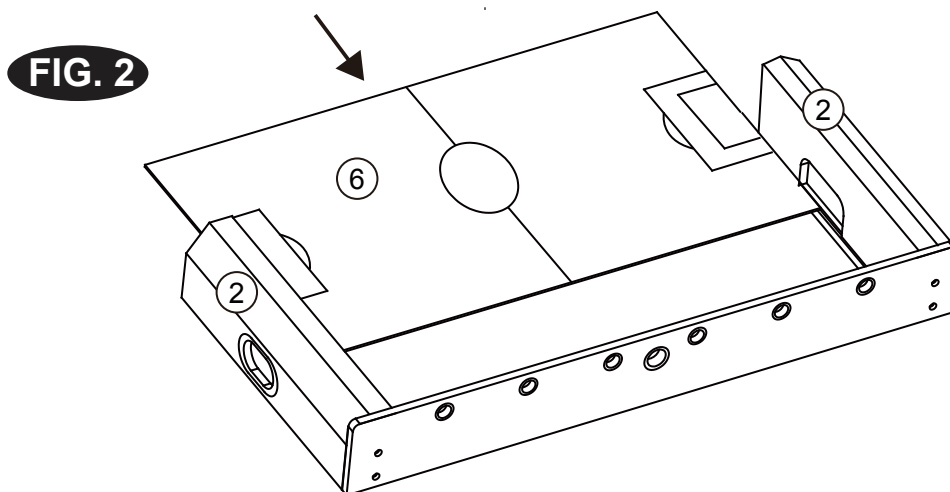
**FIG.1**

3. Attach part 3 side panel to two part 2 end panels with four part 9 screw/washer sets.



**FIG.2**

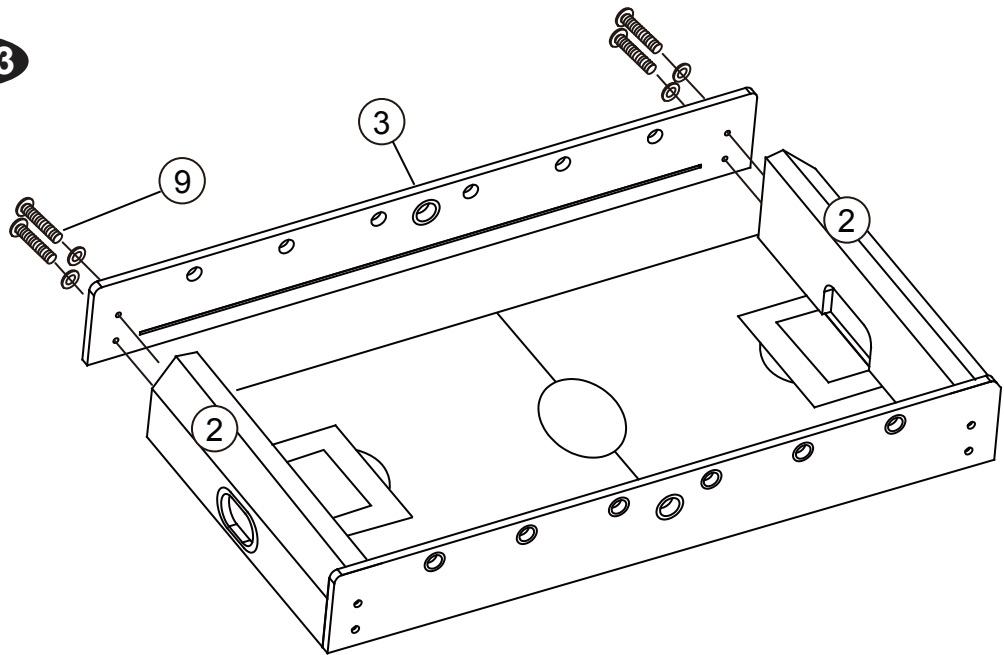
4. Slide part 6 foosball playfield into the slots on the end panels.



**FIG.3**

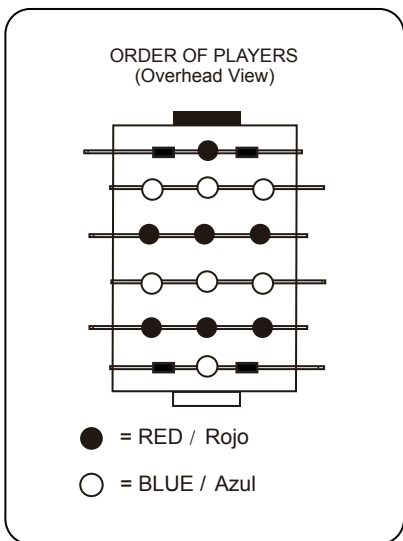
5. Attach the other part 3 side panel to the end panels with four part 9 screw/washer sets.

**FIG. 3**



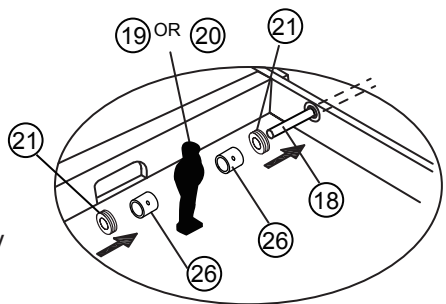
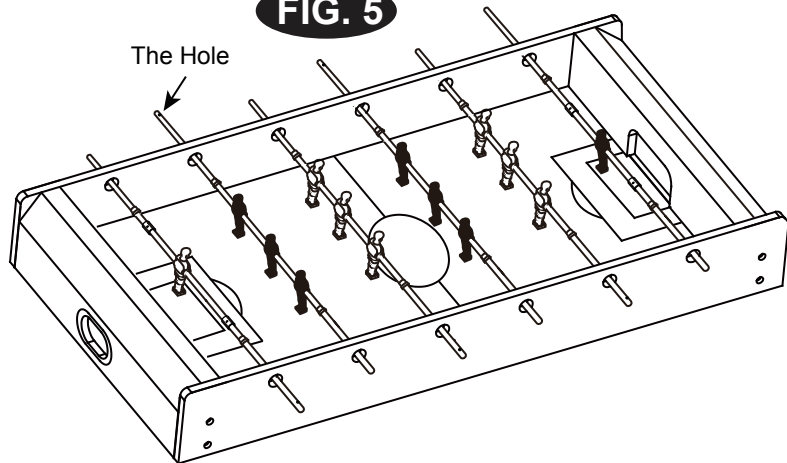
**FIG.5**

6. Slide part 21 bumper, part 26 stop ring, part 19 red player, another stop ring, and bumper onto part 18 player rod and position it in the goalie slot. Repeat on the other side with a part 20 blue player (figure 5B).
7. Build the remaining player rods with a bumper, three red/blue players, and another bumper. The ends with a hole are arranged on the same side.
8. Secure the players and stop rings with eighteen part 10 screws, one per player or stop ring (figure 5C).

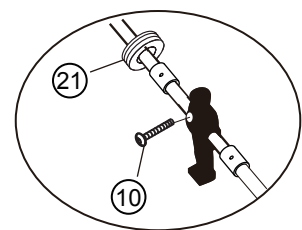


**FIG. 5A**

**FIG. 5**



**FIG. 5B**



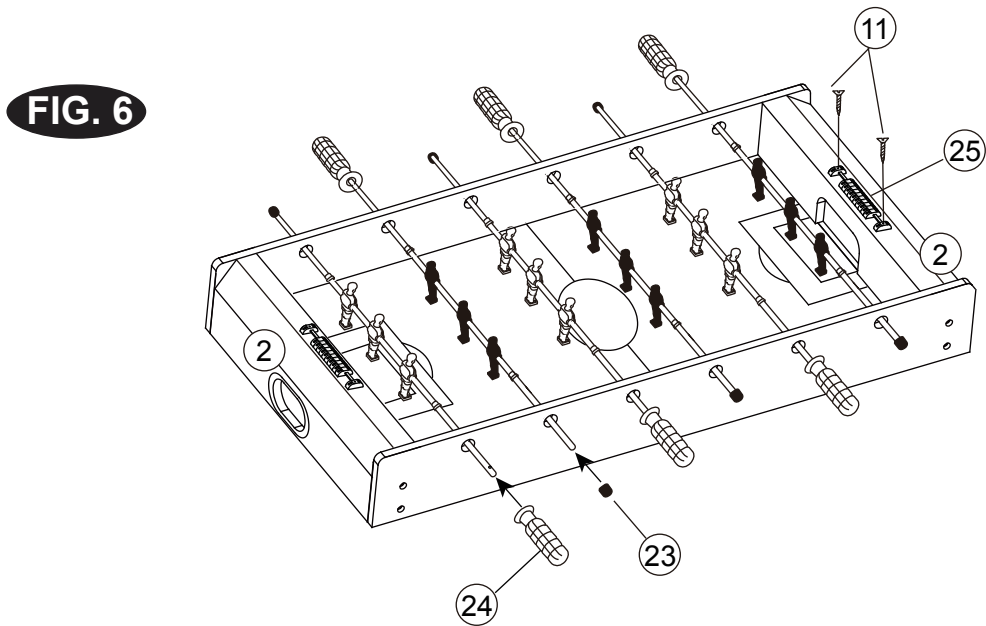
**FIG. 5C**

9. Confirm that the rods are arranged correctly and the players on the same team face the same direction.

## FIG.6

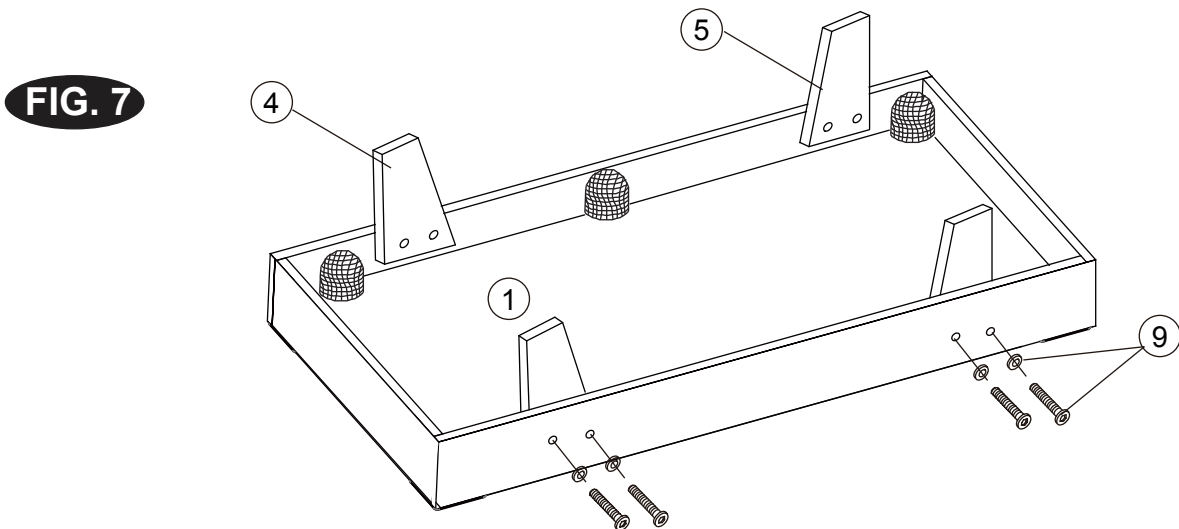
10. Attach part 25 scorer with two part 11 screws. Repeat on the other side.

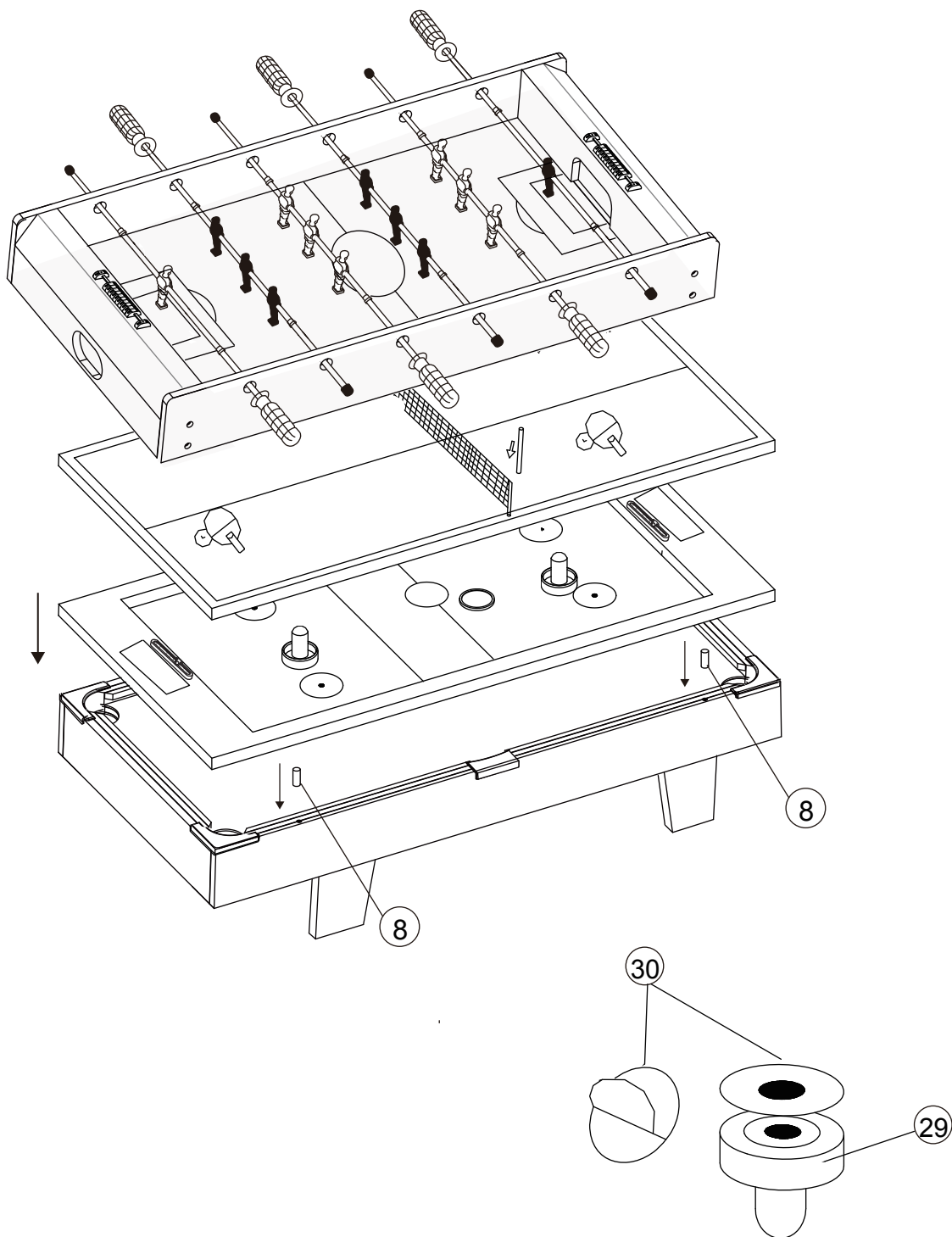
Slide six part 24 handles onto the ends of rods with a hole. Slide six part 23 end caps onto the ends of rods without a hole. Note: A drop of liquid soap will help the handles slide on more easily.



## FIG.7

11. Attach two part 4 left legs and two part 5 right legs to the part 1 billiards playfield with eight part 9 screw/washer sets, two sets per leg.






Arrange the assembly according to the game you would like to play.

Secure the foosball table or table tennis/hockey table to the billiards table with four part 8 dowels.

If playing hockey, attach the part 30 felt pads to the two part 29 pushers.

**LENOXX®**

[www.lenoxx.com.au](http://www.lenoxx.com.au)

 1300 666 848

 LenoxxElectronics

 LenoxxElectronics

 @LenoxxAustralia