



# FOLDABLE CAMPING TABLE SET

READ INSTRUCTIONS BEFORE USE AND RETAIN FOR FUTURE REFERENCE

## Safety Instructions

- Before using the table, make sure that all fastenings are securely tightened and that everything is in order. Regularly inspect the table.
- This table is only suitable for a maximum of 4 users at a time.
- Sit only on the designated seating areas to ensure safety.
- Each chair has a maximum user weight limit of 100kg, and the weight on the tabletop should not exceed 30kg.
- Exercise caution when folding the table, keeping fingers, loose clothing, and hair away from moving parts.
- This product is not a toy and should only be used for its designated purpose.
- Avoid exposing the product to direct sun and rain as this can accelerate the weathering process. This can be slowed by removing the product from these conditions or covering it with a suitable cover.
- Ensure that the table is positioned securely on a flat and level surface for a stable setup.

# LENOXX™

[www.lenoxx.com.au](http://www.lenoxx.com.au)



1300 666 848



LenoxxElectronics

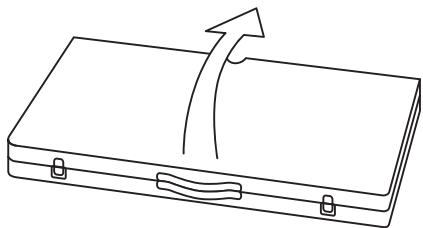


LenoxxElectronics

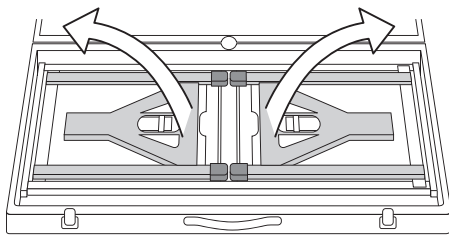


FCT001 | PR4907

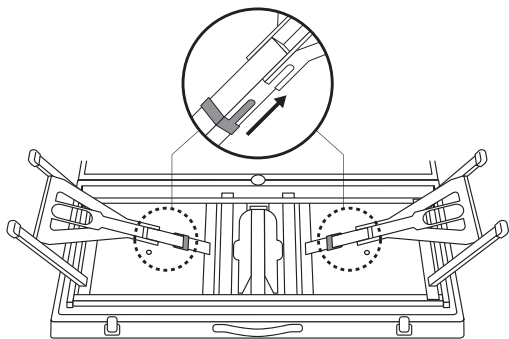
- 1** Unlock the securing tabs and open the table.



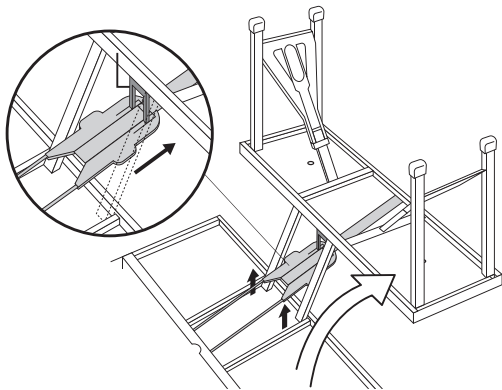
- 2** Pull out the leg frames.



- 3** Lock the Y-shaped supports into place.



- 4** Lift the seats out and lock the safety clips into place.



- 5** When both seats are firmly fixed, turn the table into the upright position and insert the bolts to secure the table.

