

**LENOXX**  
DVDHD3470

# HDMI DVD PLAYER

**MULTI REGION • REMOTE CONTROL**



Model no: DVDHD3470  
Batch no: PR4217

**PLEASE READ AND RETAIN THESE INSTRUCTIONS FOR FUTURE REFERENCE.**

The illustrations used in this manual are to illustrate the operation method and product structure of the product. Where there is a small difference between the physical item and the illustrations, please take the physical as the standard.

### **SAFETY INSTRUCTIONS:**

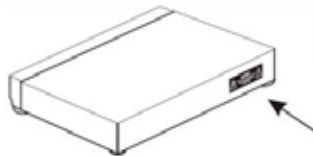
- Check that the voltage indicated on the rating plate corresponds with that of the local network before connecting the unit to the mains power supply.
- Children aged from 8 years and people with reduced physical, sensory or mental capabilities or lack of experience can use this unit, only if they have been given supervision or instruction concerning use of the unit in a safe way and understand the hazards involved.
- Children should be supervised to ensure that they do not play with the unit. Unless they are older than 8 years of age and supervised, children should not perform cleaning or user maintenance. Close supervision is always necessary when an appliance is used by or near children.
- This unit is not a toy.
- This unit contains no user serviceable parts. If the unit and any of its accessories are malfunctioning or it has been dropped or damaged, only a qualified repairer should carry out repairs. Improper repairs may place the user at risk of harm.
- Keep the unit away from heat sources, direct sunlight, humidity, water and any other liquid.
- Do not immerse the unit in water or any other liquid.
- Do not operate the unit with wet hands.
- Do not operate the unit if it has been exposed to water, moisture or any other liquid, to prevent against electric shock, explosion and/or injury to yourself and damage to the unit.
- Do not remove the appliance from the mains power supply by pulling on the cord; switch it off and remove the plug by hand.
- Do not use the unit for anything other than its intended use.
- Do not use this unit outdoors.
- Do not store the unit in direct sunlight or high humidity conditions.
- Do not move the unit whilst it is in use.
- Do not put any objects into any of the openings.
- The unit must be placed on a stable, heat resistant surface.
- The unit is intended for domestic use only. It should not be used for commercial purposes.
- The unit may become hot during operation. Always leave sufficient space around the unit for ventilation.
- The voltage supplied to the unit should match the voltage that is printed on the back panel. If you have any doubts concerning this matter, consult an electrician.
- Avoid placing the unit in direct sunlight or close to any sources of heat. Also avoid locations subject to vibrations and excessive dust, heat, cold or moisture.
- Do not expose the unit to water.
- Do not place the unit on an amplifier or receiver.
- Do not open the cabinet as this might result in damage to the circuits or an electric shock. If a foreign object gets into the unit, contact your dealer or service company.

**CAUTION:**



**CLASS I LASER  
PRODUCT**

WARNING: DO NOT EXPOSE THIS APPLIANCE TO RAIN OR MOISTURE, DUE TO THE HIGH RISK OF FIRE OR ELECTRIC SHOCK,



|  |  |
|--|--|
|  | The lightning flash with an arrowhead symbol within an equilateral triangle is intended to alert the user to the presence of uninsulated "dangerous voltage" within the product's enclosure that may be of sufficient magnitude to constitute a risk of electric shock to persons. |
|  | The exclamation point within an equilateral triangle is intended to alert the user to the presence of important operating and maintenance (servicing) instructions in the literature accompanying the appliance.   |

DO NOT OPEN THE CABINET DANGEROUS HIGH VOLTAGES ARE PRESENT INSIDE THE ENCLOSURE. ONLY QUALIFIED SERVICE PERSONNEL SHOULD ATTEMPT THIS.

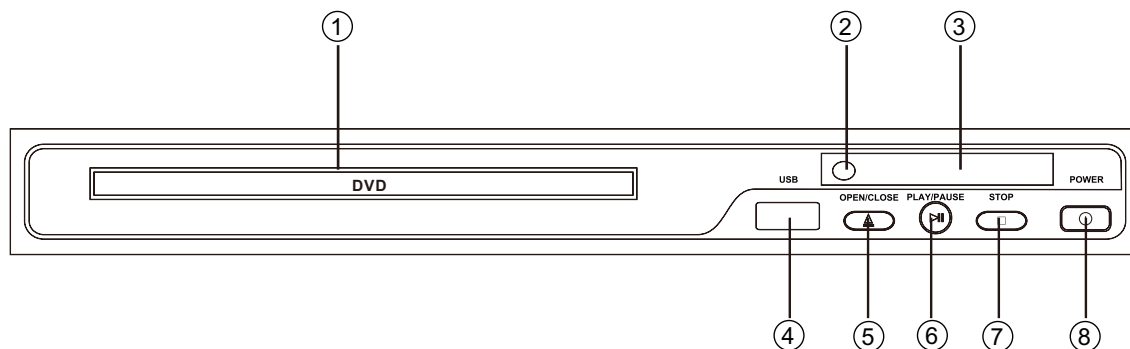
- This unit utilises a laser.
- The use of optical instruments with the unit will increase eye hazard, as the laser used in the DVD player is harmful to eyes.
- Use of controls, adjustments or performance of procedures other than those specified herein may result in hazardous radiation exposure.
- Do not attempt to disassemble or repair the unit; refer servicing to qualified personnel only.
- This unit is classified as a class 1 laser product.
- The class 1 laser product marking is located on the laser protective housing inside the enclosure.

**BOX CONTENTS:**

- 1 x Lennox DVD PLAYER
- 1 x Remote control
- 1 x AV cable
- 1 x Instruction manual

## CONTROLS AND FUNCTIONS:

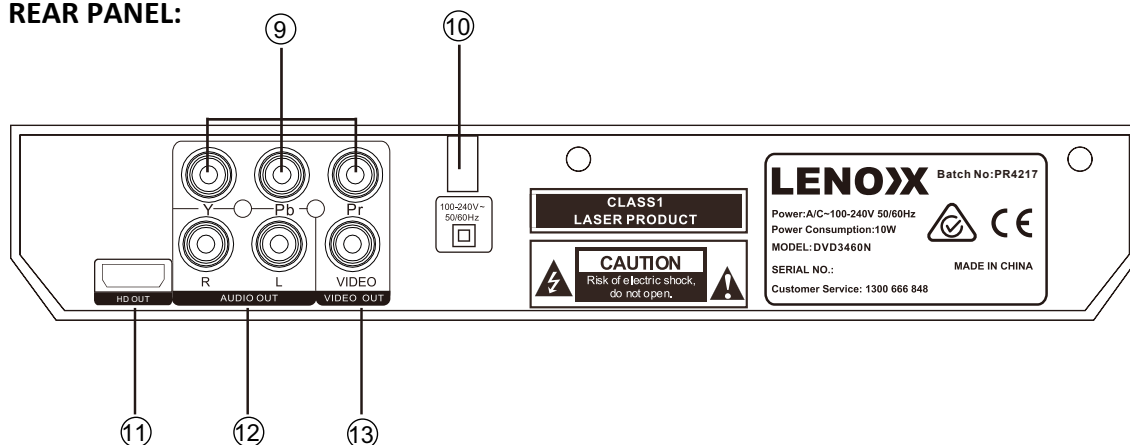
### FRONT PANEL:



- 1. DVD Tray
- 2. Remote Sensor
- 3. Display
- 4. USB Port

- 5. Open/Close
- 6. Play/Pause
- 7. Stop
- 8. Power On /Off

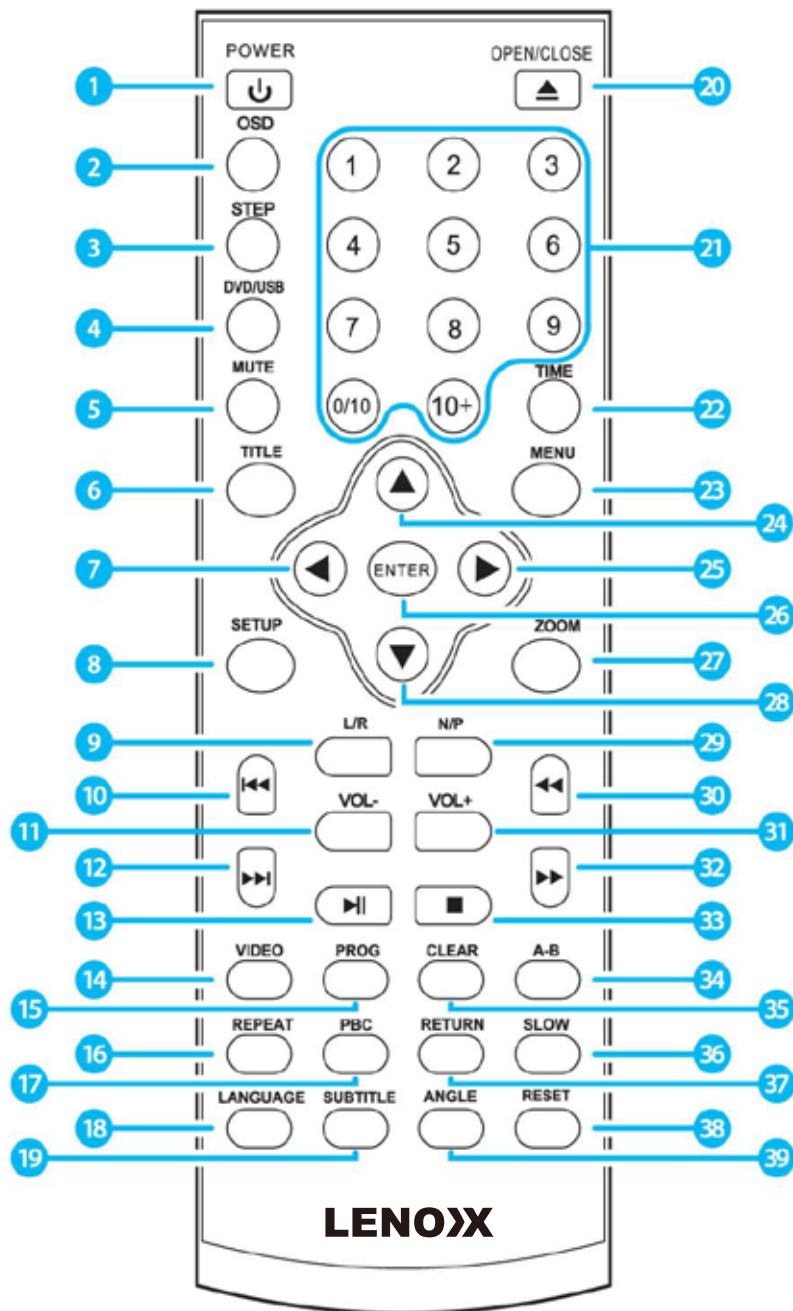
### REAR PANEL:



- 9.(Y. Pb/Cb. Pr/Cr) Output
- 10. Power Cable Outlet
- 11. HDMI Output

- 12. 2 x Audio Output ports
- 13. Video Output

## REMOTE CONTROL:



## REMOTE CONTROL OPERATION:

Insert the batteries into the battery compartment. 2 x AAA batteries are required.

Point the remote at the remote sensor in front of the player and make sure there are no obstacles in the way between the remote and the player. The distance between the remote and the sensor must not exceed 3m.

To prevent damage to the remote control, please remove the batteries when not in use for long periods of time.

## REMOTE CONTROLS AND FUNCTIONS:

### 1. POWER ON/OFF

Press to Power On, press again for Standby mode.

### 2. OSD

Press for information of the disc to display

### 3. STEP

Press to play picture by picture. Press Play to return to normal playback.

### 4. DVD/USB

Press to switch between DVD and USB play.

### 5. MUTE

Mute sound during playback

### 6. TITLE

When using DVDs, press to return to the title menu.

### 7. LEFT (<)

Left direction within selection menu

### 8. SETUP

Press to get into Set Up menu

### 9. L/R

Use for VCD or CD discs. Press button to select left or right channel, or stereo

### 10. PREVIOUS (I<<)

In DVD mode, press to go to previous chapter. With SVCD, VCD, CD, MP3 discs, press to go to previous track.

### 11. VOLUME DOWN (-)

Decrease volume

### 12. NEXT (>>I)

In DVD mode, press to go to next chapter. With SVCD, VCD, CD, MP3 discs, press to go to next track.

### 13. PLAY/PAUSE

Press once to pause, press again to play

### 14. VIDEO

Switch to video output mode (cvbs. yuv.rgb)

### 15. PROGRAMME

If the disc has two or more tracks, chapters, or titles, set up playing order preference. Press the button to then input the number of the track, title or chapter. If the programmed tracks are over 10, press 'Next' to go on programming. Use the up/down/left/right key to move the cursor to 'Start'. Press 'Enter' to start programmed play.

With MP3 discs, press the button to enter 'Directory-Play' mode. Press 'Programme' again to enter file-list mode.

### 16. REPEAT

Press repeatedly in DVD mode to scroll through: repeat a title, chapter, track or to the beginning. In SVCD, VCD or CD mode: track repeat, all repeat or repeat cancel.

### 17. PBC

VCD mode: Playback control

#### **18. LANGUAGE**

Press to select on-screen display language options

#### **19. SUBTITLE**

Press to begin showing subtitles

#### **20. OPEN/CLOSE**

Press to load and remove discs. Place disc into tray with the title side facing up. Press button again to close.

#### **21. NUMBERS 0-9/10+**

While playing DVD/VCD/CD/MP3 discs, use key to select desired track/

chapter in menu selection.

#### **22. TIME**

Press to manually set up the time on the DVD player display unit

#### **23. MENU**

Enter menu settings in DVD mode

#### **24. UP (^)**

Up direction within selection menu

#### **25. RIGHT (>)**

Right direction within selection menu

#### **26. ENTER**

Confirm your selection

#### **27. ZOOM**

Press to zoom in, press again to zoom out. Use arrow keys to move picture.

#### **28. DOWN**

Down direction within selection menu

#### **29. N/P**

Press to switch the TV system between NTSC and PAL.

#### **30. REWIND**

Press for rewind search

#### **31. VOLUME UP (+)**

Increase volume

#### **32. FASTFORWARD**

Press for quick forward search

#### **33. STOP**

Press to stop media. Press the Play/ Pause button to resume.

#### **34. A-B**

Press to repeat certain sections. Press button on start point (A) and the end point (B) to select section. Cancel by pressing button a third time.

#### **35. CLEAR**

Press to clear input selections

#### **36. SLOW**

Press to select slow speed playing.

#### **37. RETURN**

Press to return to VCD menu.

#### **38. RESET**

Press to reset your DVD player settings

#### **39. ANGLE**

Change angle in DVD mode

## INSTRUCTIONS GUIDE:

### Getting started:

#### Setting Up

Connect the power plug of the DVD player to a wall outlet. The power indicator and clock on the front panel will illuminate.

Follow the below guidance for cable connections to get your DVD player set up:

#### Cable Connection Options:

**1a.** Connect an RCA cable between the 2 channel Audio Output port and the RCA input on your TV.

**1b.** Connect a HDMI cable between the HDMI Output on the back panel of the DVD player to the HDMI input on your TV.

**1c.** Connect a (Y Pb /Cb Pr /Cr) cable via the (Y/ Cb/Pb Cr/Pr) Output of the DVD player to your TV (R/L/Video port and cable).

## DVD OPERATION:

Once your DVD player has been connected to the TV and to a power source, the product is ready for use.

The following DVD formats can be played: DVD, DVD-R-RW, CD Video. Mpeg4 and DivX must be converted to AVI format.

Please complete the following guidance to complete the set-up of the DVD player:

1. Ensure that your TV is set to the correct mode for DVD playback.
2. Plug in the DVD player and press the 'Power' button to turn the unit on. You can do this on the unit (**Ref.8**) or via the remote (**Rem.1**).

When the machine is switched on, pressing the POWER button on the remote control will make it go into standby mode. Press the button again and the machine will switch on.

**WARNING:** If the product is not going to be used for a long period of time, it is advisable to unplug it for safety

3. Press the Open/Close button on the front panel (**Ref.5**) or on the remote control (**Rem.20**) and place a DVD disc on the disc tray. Press the Open/Close button again to close the tray.
4. The DVD will read the DVD disc and begin play. You can control the playback and settings via the buttons of the remote control.

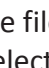


## USB OPERATION:

This product has a USB port at the DVD front face for MP3/ Movies playback.

Insert a USB unit into the USB port on the front panel of the DVD player (**Ref.4**).

Press the DVD/USB button on the remote control (**Rem.4**) to enter the USB source. The DVD player will read and display the file list off the USB unit.

Browse the file list by pressing the  buttons (**Rem. 7, 24, 25, 28**) on the remote control. Select a file by pressing the Enter button (**Ref.26**) of the remote control.

THE MAX SIZE USB CAPACITY IS 16GB.

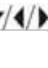
## PLAYING JPEG/PICTURE CD DISCS AND MP3 DISCS:

The following formats can be played: Jpg, Jpeg, CD Photo

Press the STOP button and 12 small pictures will show on the TV screen.


Press the  buttons on the remote control to select the desired picture to view.

To access instructions menu, use the  on the remote control to

1. **PROG** - Select to change picture transform mode
2. **STOP** - Entering picture preview mode
3. **PREV** - Previous picture
4. **NEXT** - Next picture
5. **PLAY** - Play picture
6. **UP** - Mirror image in vertical
7. **DOWN** - Mirror image in horizontal
8. **LEFT** - Rotate 90 degrees anticlockwise
9. **RIGHT** - Rotate 90 degrees clockwise
10. **ZOOM** - Change zoom mode
11. **FAST FORWARD** - Zoom in the picture
12. **FAST REWIND** - Zoom out the picture
13.  Move zoom focus for picture.

## PLAYING MP3 DISCS:

The following formats can be played: Mp3, WMA, CD Audio, CD- R-RW, CD.

Whilst a MP3 disc is playing, there is a menu screen on the TV. Press the  buttons (**Rem. 24/28**) to scroll through tracks or folders. Press the ENTER button to select the track or folder.

Press the PROG button in files play mode. The screen will then display the total track number and the current playing track. Use the digit buttons (**Ref.21**) to key in and select

the track or use the ▲/▼/◀/▶ buttons to shift to the track and press the ENTER button (Rem.26) to play the track.

## SYSTEM SETUP:

### Menu Operation

Press the SET-UP button (Rem.8) on the remote control and the SET-UP menu will display.

There are five different menus in the setup: General, Audio, Dolby, Video and Preference. Follow the instructions in the individual paragraphs for a choice of set up options:

- Menu 1: General
- Menu 2: Audio
- Menu 3: Dolby
- Menu 4: Video
- Menu 5: Preference

After accessing the SET-UP menu, press the ▲/▼/◀/▶ buttons (Rem. 7, 24, 25, 28) to your chosen sub-menu. Follow by pressing the ENTER button to confirm your selection.

To end the set-up, press the SET-UP button again.

Follow the below guidance for General, Audio, Dolby, Video and Preference settings.

### MENU 1: GENERAL SET UP:

1. Press the ▲/▼/◀/▶ buttons on the remote control to open the 'General' menu (Rem. 7, 24, 25, 28).

2. Seven submenus will appear that you can select between. Press the ▲/▼ buttons on the remote control to scroll between the sub-menus:

#### a) TV Display

Different values will show here depending on your TV set:

- 4:3/PS: When the unit connects to the normal TV set, the wide-screen image shows on the full screen, but some part is cut off.
- 4:3/LB: When the unit connects to the normal TV set, the wide-screen image shows and black bars appear on the top and bottom of screen
- 16:9: Use this item when the unit is connected to the wide- screen TV set

#### b) Angle Mark

In DVD mode, use to view DVD from different angles

#### c) Osd Lang

Select a language for the on-screen display language (English, French, German, Italian,

Spanish or Portuguese).

#### **d) Captions**

The default set-up is Caption off. You can display closed captions (if available).

#### **e) Screen saver**

Select a screen saver for when the TV display goes into standby or a disc is not played for several minutes. Press any remote on the remote control to wake it up.

#### **f) HDCD**


Select an output audio signal. You can select the digital filter to be 1 x (44.1 KHz) or 2 x (88.2 KHz).


#### **g) Last Memory**

If the last memory is set when the unit is on and the unit is switched off, the last position on the DVD player will be memorised.

3. When you enter a sub-menu, a number of options will appear for the entered sub-menu.

### **MENU 2: Audio Set-up**

1. Press the  buttons on the remote control to open the 'Audio' menu (**Rem. 7, 24, 25, 28**).

2. Two submenus will appear that you can select between. Press the  buttons on the remote control to scroll between the sub-menus to select the stereo output:


#### **a) LT/RT:**


The audio output is Left and Right channels format. Switch between left/right audio channels.

#### **b) Stereo:**

Select to play the audio via the two front speakers of the TV.

### **MENU 3: Dolby Set-up**

1. Press the  buttons on the remote control to open the 'Dolby' menu (**Rem. 7, 24, 25, 28**).

2. Two different submenus will appear on the menu. Press the  buttons on the remote control to scroll browse between the sub-menus to select the output:


#### **a) Dual Mono**


- Stereo: sets audio output to the stereo output
- L-Mono: sets audio output to the mono-left channel
- R-Mono: sets audio output to the mono-right channel
- Mix-Mono: sets audio output to the Mix mono channel

#### **b) Dynamic**

Select to reduce the bass and treble, and to create a fine detailed sound. This mode is recommended for reduced sound to avoid disturbance for nighttime viewing.

#### **MENU 4: VIDEO Set-up**

1. Press the  buttons on the remote control to open the 'Dolby' menu (**Rem. 7, 24, 25, 28**).

2. Two different submenus will appear on the menu. Press the  buttons on the remote control to scroll browse between the sub-menus to select the video output:

##### **a) Component**

Adjust the video output when connecting to video terminals.

YUV: set video output in analogue component video format when connecting to Y/U/V terminals.

##### **b) Resolution (HDMI output)**

You can choose the following resolution levels from the HDMI output:


480I/576I/720P50/720P60/1080I50/1080I60/1080P (50Hz)/1080P (60Hz)


This DVD can make up to 576I video resolution output. It will depend on the video source and the TV set.

##### **c) Quality**

You can set the sharpness, brightness and contrast according to your preference.

#### **MENU 5: PREFERENCE SET UP**

1. Press the  buttons on the remote control to open the 'Dolby' menu (**Rem. 7, 24, 25, 28**).

2. Two different submenus will appear on the menu. Press the  buttons on the remote control to scroll browse between the sub-menus to select the menu options:

##### **a) TV Type**

This unit is suitable for all makes for TV's. You can select PAL or NTSC if necessary. PAL needs to be selected for use in Europe.

##### **b) Audio**

These are the initial settings for your preference. If a setting is supported by disc content, it will alter audio settings.

##### **c) Subtitle**

These are the initial settings for your preference. If a setting is supported by disc content, it will alter subtitles. Alternatively, press the SUBTITLE button.

##### **d) Disc Menu**

These are the initial settings for your preference. If a setting is supported by disc content, it will alter the disc menu.

##### **e) Parental**

Select to control parental control settings. Any disc with the parental level higher than

the set level will not be played.

f) Password Set-up

The initial factory password is 0000. You can change the password here.

g) Default Set-up

Select to revert to original factory set up on this unit.

**TROUBLESHOOTING:**

| <b>Malfunction</b>           | <b>Possible causes/measures</b>   |
|------------------------------|---|
| No power / function          | Check whether the power is switched on or off at the wall.<br>Check whether the power adaptor is properly connected to power outlet or not.   |
| No video                     | Make sure that the video cables are connected correctly.<br>Reset the setups of the DVD player.<br>Check that the input selection on the TV is correct.   |
| No audio                     | Make sure that the audio cables are connected correctly.<br>Make sure that the coaxial connected stereo is powered on.<br>Reset the setups of the DVD player.   |
| Distorted video              | Clean DVD disc from dust/dirt<br>The playback is fast winding backward/forward.   |
| Unable to play               | Place a DVD disc in the disc tray.<br>Place the disc in on the correct side up<br>Clean DVD disc from dust/dirt<br>Close the setup of the DVD player.<br>Check that the file is compatible with the unit. |
| Remote Control does not work | Aim the Remote Control towards the front panel of the DVD player.<br>Use the Remote Control closer to the DVD player. Check the battery level of the batteries  |

## SPECIFICATION:

|                        |   |
|------------------------|---|
| Power Supply           | AC 100-240V   |
| Frequency Response     | ~50/60Hz  |
| Power Consumption      | 10W   |
| Compatible Connections | HDMI<br>AN RCA Output<br>USB Input<br>(Y Pb/Cb Pr/Cr)<br>R/L Video  |
| Compatible Formats     | <b>DVD:</b> DVD, DVD-R-RW, CD Video.<br>Mpeg4 and DivX in AVI format.<br><b>AUDIO:</b> Mp3, WMA, CD Audio, CD-R-<br>RW, CD<br><b>PHOTO:</b> Jpg, Jpeg, CD Photo |


# LENOXX

[www.lenoxx.com.au](http://www.lenoxx.com.au)

 1300 666 848

 LenoxxElectronics

 LenoxxElectronics

 @LenoxxAustralia