

LENOXX

Portable CD PLAYER

MODEL: CD813



LENOXX

Lenoxx Electronics Aust.Pty Ltd
Importers and Wholesalers of Electronics and toys
6 Oban court, Laverton North. Victoria. 3026
ABN: 97 844 321 851
PH:03 9267 2100
FAX:03 9267 2199
For service call:1300 666 848
Email:lenoxx@lenoxx.com.au
www.lenoxx.com.au

TABLE OF CONTENTS

Warnings and Precautions.....	2
Important Safety Instructions.....	3
Important Safety Instructions.....	4
Features.....	5
Powering the Unit.....	5
In the Box.....	5
Tuning the FM Radio	6
Playing a CD	6
Programming a CD	6
Using the Auxiliary Input.....	6
Locations of Controls.....	7
Control Definitions	8
Warranty Card	9

Warnings and Precautions



This symbol, located on back or bottom of the unit, is intended to alert the user to the presence of uninsulated “dangerous voltage” within the product’s enclosure that may be of sufficient magnitude to constitute a risk of electric shock to persons.



This symbol, located on back or bottom of the unit, is intended to alert the user to the presence of important operating and maintenance (servicing) instructions in the literature accompanying the appliance.



This product utilizes a Class 1 laser to read Compact Discs. **This laser Compact Disc Player is equipped with safety switches to avoid exposure when the CD door is open and the safety interlocks are defeated. Invisible laser radiation is present when the CD Player’s lid is open and the system’s interlock has failed or been defeated. It is very important that you avoid direct exposure to the laser beam at all times. Please do not attempt to defeat or bypass the safety switches.**

CAUTION: TO PREVENT ELECTRIC SHOCK, ENSURE TO INSERT 2 PIN PUG CORRECTLY INTO MATCHING SOCKET OR ADAPTOR

To reduce the risk of electric shock, do not remove cover (or back). There are no user-serviceable parts inside. Please refer any servicing to qualified service personnel.

WARNING: Changes or modifications to this unit not expressly approved by the party responsible for compliance could void the user’s authority to operate the equipment.

WARNING: To prevent fire or shock hazards, do not expose this unit to rain or moisture.

CAUTION: Danger of explosion if battery is incorrectly replaced. Replace only with the same or equivalent type.

Do not mix old and new batteries.

Do not mix alkaline, standard (carbon-zinc), or rechargeable (ni-cad, ni-mh, etc) batteries.

NOTE: This equipment has been tested and found to comply with the limits for a Class B digital device, pursuant to Part 15 of the FCC Rules. **These limits are designed to provide reasonable protection against harmful interference in a residential installation. This equipment generates, uses, and can radiate radio frequency energy and, if not installed and used in accordance with the instructions, may cause harmful interference to radio communications. However, there is no guarantee that interference will not occur in a particular installation. If this equipment does cause harmful interference to radio or television reception, which can be determined by turning the equipment off and on, the user is encouraged to try to correct the interference by one or more of the following measures:**

- Reorient or relocate the receiving antenna.
- Increase the separation between the equipment and receiver.
- Connect the equipment into an outlet on a circuit different from that to which the receiver is connected.
- Consult the dealer or an experienced radio/TV technician for help.

Important Safety Instructions

- Read Instructions** - All the safety and operating instructions should be read before the product is operated.
- Retain Instructions** - The safety and operating instructions should be retained for future reference.
- Heed Warnings** - All warnings on the product and in the operating instructions should be adhered to.
- Follow instructions** - All operating and use instructions should be followed.
- Cleaning** - Unplug this product from the wall outlet before cleaning. Do not use liquid cleaners or aerosol cleaners. Clean only with a dry cloth.
- Attachments** - Do not use attachments not recommended by the product manufacturer as they may cause hazards.
- Water and Moisture** - Do not use this product near water - for example, near a bath tub, wash bowl, kitchen sink, or laundry tub; in a wet basement, or near a swimming pool, and the like. The apparatus should not be exposed to dripping or splashing and should objects filled with liquids, such as vases, should be placed on apparatus.
- Accessories** - Do not place this product on an unstable cart, stand, tripod, bracket, or table. The product may fall, causing serious injury to a child or adult, and serious damage to the product. Use only with a cart, stand, tripod, bracket, or table recommended by the manufacturer, or sold with the product. Any mounting of the product should follow the manufacturer's instructions, and should use a mounting accessory recommended by the manufacturer.
- Use only with the cart, stand, tripod, bracket, or table specified by the manufacturer, or sold with the apparatus. When a cart is used, use caution when moving the cart/apparatus combination to avoid injury from tip-over.

See figure:

- Ventilation** - Slots and openings in the cabinet are provided for ventilation and to ensure reliable operation of the product and to protect it from

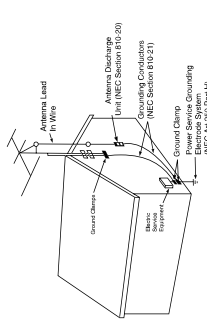


overheating, and these openings must not be blocked or covered. The openings should never be blocked by placing the product on a bed, sofa, rug, or other similar surface. This product should not be placed in a built-in installation such as a bookcase or rack unless proper ventilation is provided or the manufacturer's instruction have been adhered to.

GB-3

Important Safety Instructions

- Power Sources** - This product should be operated only from the type of power source indicated on the marking label. If you are not sure of the type of power supply to your home, consult your product dealer or local power company. For products intended to operate from battery power, or other sources, refer to the operating instruction.
- Power-Cord Protection** - Power supply cords should be routed so that they are not likely to be walked on or pinched by items placed upon or against them, paying particular attention to cords at plugs, convenience receptacles, and point where they exit from the product.
- Outdoor Antenna Grounding** - If an outside antenna is connected to the receiver, be sure the antenna system is grounded so as to provide some protection against voltage surges and built-up static charges. Article 810 of the National Electrical Code, ANSI/NFPA 70, provides information with regard to proper grounding of the mast and supporting structure, grounding of the lead-in wire to an antenna-discharge unit, size of grounding conductors, location of antenna-discharge unit, connection to grounding electrodes, and requirements for the grounding electrode.
See figure:
- Lightning** - For added protection for this product during a lightning storm, or when it is left unattended and unused for long periods of time, unplug it from the wall outlet and disconnect the antenna or cable system. This will prevent damage to the product due to lightning and power-line surges.
- Power Lines** - An outside antenna system should not be located in the vicinity of overhead power lines or other electric light or power circuits, or



where it can fall into such power lines or circuits. When installing an outside antenna system, extreme care should be taken to keep from touching such power lines or circuits as contact with them might be fatal.

- Overloading** - Do not overload wall outlets, extension cords, or integral convenience receptacles as this can result in a risk of fire or electric shock.

- Objection and Liquid Entry** - Never push objects of any kind into this product through openings as they may touch dangerous voltage points or short-out parts that could result in a fire or electric shock. Never spill liquid of any kind on the product.

- Service** - Do not attempt to service this product yourself as opening or removing covers may expose you to dangerous voltage or other hazards. Refer all servicing to qualified service personnel.

- Damage Requiring Service** - Unplug this product from the wall outlet and refer servicing to qualified service personnel under the following conditions:

- When the power-supply cord or plug is damaged,
- If liquid has been spilled, or objects have fallen into the product,
- If the product has been exposed to rain, water or moisture.
- If the product does not operate normally by following the operating instructions. Adjust only those controls that are covered by the operating instructions as an improper adjustment of other controls may result in damage and will often require extensive work by a qualified technician to restore the product to its normal operation.
- If the product has been dropped or damaged in any way, and
- If the product exhibits a distinct change in performance - this indicates a need for service.

- Replacement Parts** - When replacement parts are required, be sure the service technician has used replacement parts specified by the manufacturer or have the same characteristics as the original part. Unauthorized substitutions may result in fire, electric shock, or other hazards.

- Safety Check** - Upon completion of any service or repairs to this product, ask the service technician to perform safety checks to determine that the product is in proper operating condition.

- Wall or Ceiling Mounting** - The product should be mounted to a wall or ceiling only as recommended by the manufacturer.

- Heat** - The product should be situated away from heat sources such as radiators, heat registers, stoves, or other products (including amplifiers) that produce heat. Battery shall not be exposed to excessive heat such as sunshine, fire, or the like.

- Main plug is used as disconnect device and it should remain readily operable during intended use. In order to disconnect the apparatus from the mains completely, the mains plug should be disconnected from the mains socket outlet completely.

- Excessive sound pressure from earphones and headphones can cause hearing loss.

- To prevent fire or shock hazard, do not use this plug with an extension cord, receptacle or other outlet unless the blades can be fully inserted to prevent blade exposure.



- Symbol is used to indicate that a specific component shall be replaced only by the component specified in that documentation for safety reasons.



- This symbol indicates that this product incorporates double insulation.

- Caution marking is located at the bottom of apparatus.

- The marking information is located at the bottom of apparatus.

GB-4

Features

- CD player: CD, CD-R/RW
- FM radio
- Auxiliary input
- Programmable CD tracks
- 4-digit blue LCD
- Built-in speakers
- AC power: detachable AC cord
- DC power: requires 4 C batteries, not included

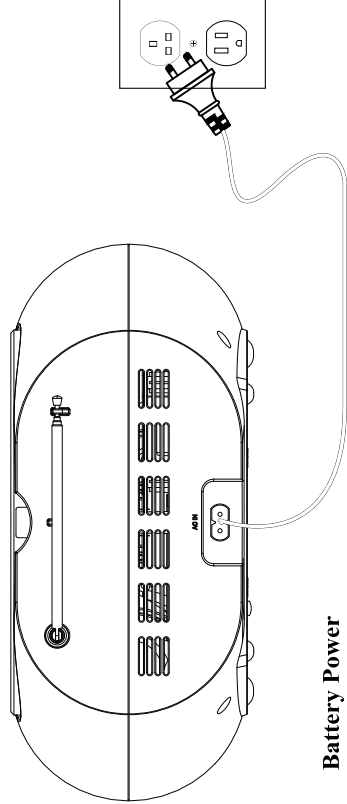
In the Box

- Detachable AC Cord
- Documentation

Powering the Unit

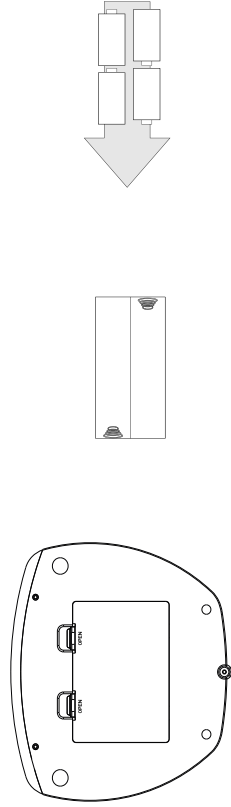
AC Power

Plug the detachable AC cord into a standard AC outlet (110-240V ~ 50/60Hz)



Battery Power

Requires 4 C batteries, not included.



GB-5

Tuning the FM Radio

- Step 1:** Adjust the **Function Button** to *FM mode*.
- *Extend the FM antenna to improve FM radio reception.*
- Step 2:** Turn the **Tuning Dial** to the desired FM station.

Playing a CD

- Step 1:** Open the CD door, and place a CD or CD-R/RW into the player.
- Step 2:** Adjust the **Function** to *CD mode*.
- Step 3:** Press the **Play/Pause Button** to begin playing the loaded CD.

Programming a CD

- Step 1:** Open the CD door, and place a CD or CD-R/RW into the player.
- Step 2:** Adjust the **Function Button** to *CD mode*.
Program Function only can activate when it is in STOP mode.
- Step 3:** Press the **Program Button**.
- Step 4:** Press the **PREV/NEXT Buttons** to select the CD track to program.
- Step 5:** Press the **Program Button** to save.
- Step 6:** Repeat *Steps 4-5* to program up to 20 total CD tracks.
- Step 7:** Press the **Play Button** to play the program CD tracks.

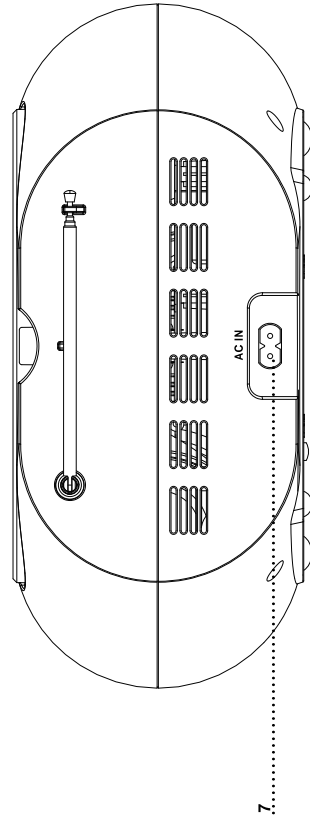
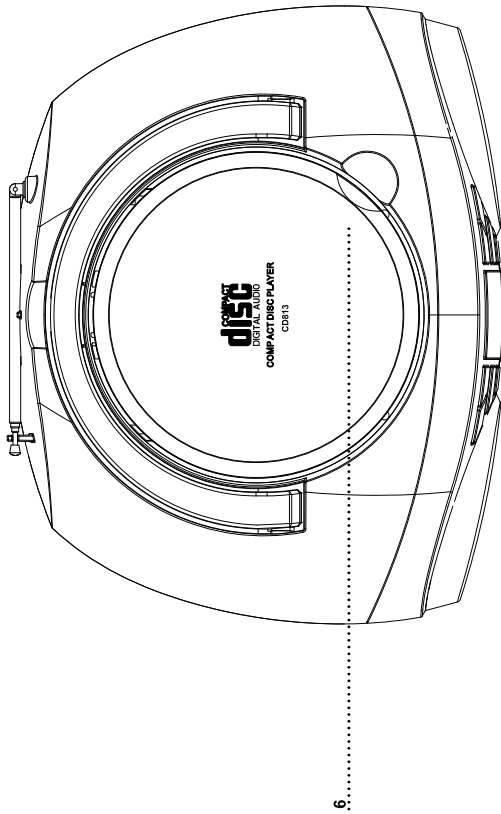
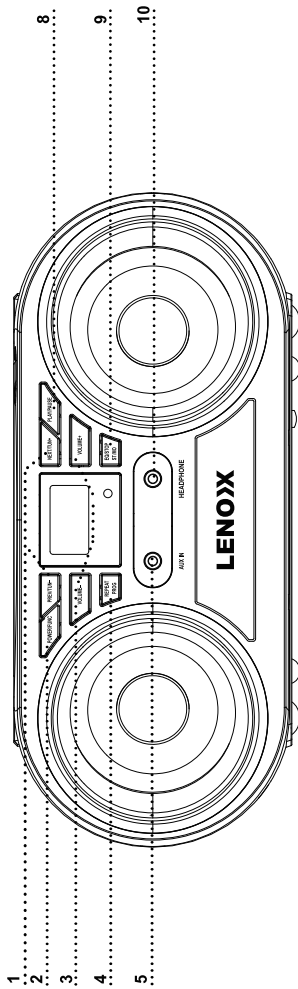
Using the Auxiliary Input

Audio Source	Required Connector
MP3 Player	mini-phonos 3.5mm Cable (not included)

- Step 1:** Connect a *mini-phonos 3.5mm Cable* (not included) to the **Auxiliary Input** on the unit and the audio output on an MP3 player.
- Step 2:** Adjust the **Function** to *AUX IN mode*.
- *Audio played through the connected MP3 player will now be heard through the unit.*

GB-6

Locations of Controls



Control Definitions

1. PREV/TUN- Buttons NEXT/TUN+ Buttons

In state of CD short press this key preview last song, a little long time press this key fast backward.

In state of FM short press this key stepping , a little long time press this key semi automatic station search stepping.

2. POWER/FUNC Buttons

Short press this key turn on the machine;

A little long time press this key turn off the machine;

In state of power on , short press this key can select the function like AUX CD FM.

3. VOLUME- Buttons VOLUME- Buttons

4. REPEAT/PROG Buttons

In state of FM Press this key, combined with NEXT/TUN+ PREV/TUN- can select pre saved stations;

5. Auxiliary Input

Use the Auxiliary Input to connect an external audio source(MP3 player) to the unit

6. OPEN/CLOSE

7. AC Power Input

Use the AC Power Input to connect the unit to an AC power source.

8. PLAY/PAUSE Button

In state of CD short press this key PAUSE, short press one more time PLAY

In state of FM short press automatic station search and store station .

9. EQ/ST/STOP/ST/MO

In state of CD Short press EQ, a little long time press STOP.

In state of FM a little long time press on/off stereo.

10. HEADPHONE

Warranty Card

Warranty

This warranty covers the original consumer purchaser only and is not transferable.

This warranty covers products that fail to function properly **UNDER NORMAL USAGE**, due to defects in material or workmanship. Your product will be repaired or replaced at no charge for parts or labor for a period of one year.

What Is Not Covered by Warranty

Damages or malfunctions not resulting from defects in material or workmanship and damages or malfunctions from other than normal use, including but limited to, repair by unauthorized parties, tampering, modification or accident.

What To Do When Service Is Required

When returning your defective product (postage pre-paid) for service, your package should include:

1. Copy of original bill of sale
2. A detailed written description of the problem.
3. Your return address and telephone number (Daytime)