

LENOXX™

Home Entertainment System



Model: CD114BL CD114BR | Batch: PR4802

Carefully read all instructions before use and save for future reference.



CAUTION

The images used in this manual are to illustrate the operation method and product structure of the item. In case there are minor discrepancies between the physical product and the illustrations, please consider the physical item as the accurate reference.

To reduce the risk of fire or electric shock, do not expose this product, its power cord and remote to rain or moisture; do not use it anywhere near water or where water splashes or drips; do not touch the plug with wet hands.

If liquids enter the device, unplug it immediately, clean, and dry it thoroughly. Then, have it checked for damage by a qualified technician or contact the after-sales support.

SAFETY INSTRUCTIONS

Read and understand this entire manual before using this product. Keep these instructions for future reference.

- 1) This product should be operated only by the type of power source indicated on the marking label or in this instruction manual.
- 2) Protect the power cord from being walked on or kinked, especially at its both ends.
- 3) Do not overload the wall power outlet or extension cords as this can result in a risk of fire or electric shock.
- 4) Never push objects of any kind into this product through openings as they may touch dangerous voltage points or short-out parts as that could result in a fire or electric shock.
- 5) Never spill liquid of any kind on the product.

6) Do not attempt to service this product yourself as opening or removing covers may expose you to the dangerous voltage or other hazards. Refer all servicing to qualified service personnel.

7) Change or modifications to this unit not expressly approved by the party responsible for compliance could void the user's authority to operate the equipment.

8) Do not use attachments not recommended by the product manufacturer as they may cause hazards.

9) Slots and openings in the product are provided for ventilation and to ensure reliable operation of the product and to protect it from overheating. Do not block or cover these openings.

10) Unplug this device during lightning storms or if it's not being used for a long period of time.



REMOTE CONTROL BATTERY WARNING

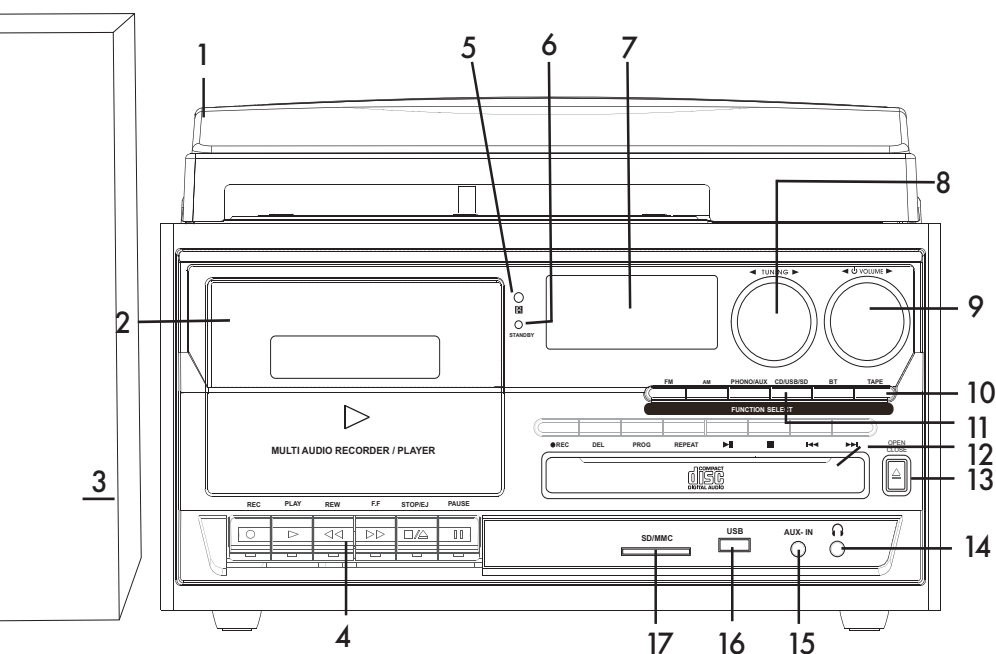
This product contains a coin/button cell battery inside. If swallowed, go straight to a hospital emergency room.

- WARNING - KEEP BATTERIES OUT OF REACH OF CHILDREN
- Swallowing may lead to serious injury in as little as 2 hours or death, due to chemical burns and potential perforation of the oesophagus.
- If you suspect your child has swallowed or inserted a button battery immediately call the 24-hour Poisons Information Centre on 13 11 26 (in Australia) or 24-hour National Poisons Centre on 0800 764 766 (in New Zealand) for fast, expert advice.
- Examine devices and make sure the battery compartment is correctly secured, e.g. that the screw or other mechanical fastener is tightened. Do not use if compartment is not secure.
- Dispose of used button batteries immediately and safely. Flat batteries can still be dangerous.
- Tell others about the risk associated with button batteries and how to keep their children safe.

PREPARATIONS FOR USE

- Carefully remove the unit from the carton and box and remove all packing material from the unit.
- Unwind the AC power cord and extend it to its full length.
- Unwind the FM Antenna wire and extend it to its full length when necessary.
- Place the unit on a stable, level surface, convenient to an AC outlet, out of direct sunlight, and away from sources of excess heat, dust, moisture, humidity or strong magnetic fields.
- Remove the opaque white plastic stylus cover from the phonograph stylus by sliding it forward and down.
- Remove the twist-tie that was used to secure the tonearm during shipment.
- Release the tonearm lock lever.
- Connect the plug to your AC outlet.

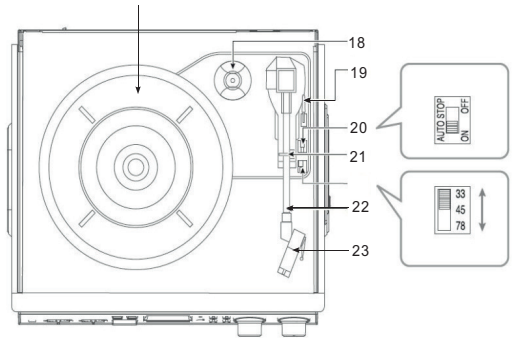
LOCATION OF CONTROLS & INDICATORS



- 1. Dust Cover
- 2. Cassette Door
- 3. Speaker
- 4. Cassette Controls
- 5. Bluetooth Indicator Light
- 6. Standby Light
- 7. LCD Display Screen
- 8. Tuning Knob
- 9. Power Switch & Volume Knob
- 10. Function Selector Button
- 11. CD/USB/SD Playback Control Button
- 12. CD Door
- 13. CD Door Open/Close Button
- 14. 3.5mm Headphone Jack
- 15. Aux-in
- 16. USB
- 17. SD/MMC card slot

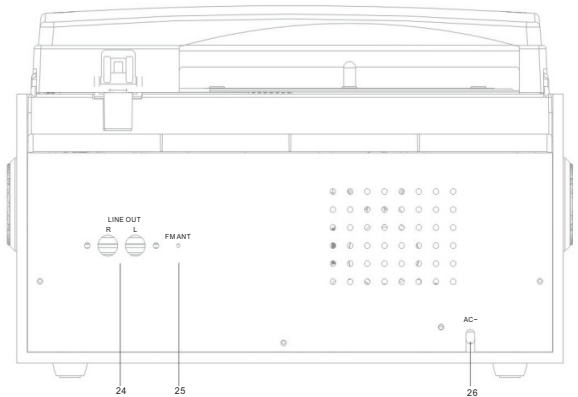
PHONOGRAPH

- 18. 45 RPM Adaptor
- 19. Lift Lever
- 20. Auto Stop Control
- 21. Tonearm Lock
- 22. Speed Selector (33/45/78 rpm)
- 23. Tonearm



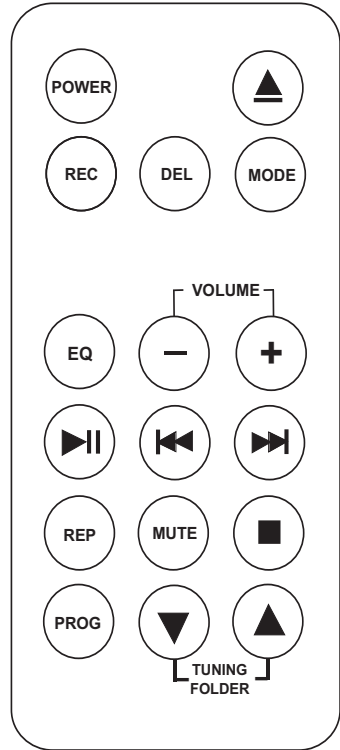
BACK PANEL

- 24. RCA Line Out Jack
- 25. FM Wire Antenna
- 26. AC Power Cord



REMOTE CONTROL

- 1) Power Button (Device On/Off)
- 2) Record Button
- 3) Equaliser
- 4) Play/Pause Button
- 5) Repeat Button
- 6) Program Button
- 7) Delete Button
- 8) CD Open/Close
- 9) Function Mode Button
- 10) Rewind Button
- 11) Forward Button
- 12) Stop Button
- 13) Mute Button



NOTE: The remote control works with CD/USB/SD modes.

OPERATING INSTRUCTIONS

Listening to radio

1. Press the volume knob to turn the equipment on.
2. Use the function selector to select AM or FM mode.
3. Turn the tuning knob to tune into a radio station.
4. Adjust the volume knob to your desired volume level.
5. AM reception: the receiver has a built-in AM bar antenna. If reception is weak, slightly rotate or reposition the unit to improve AM reception.
6. FM reception: the receiver has a built-in FM wire antenna at the back. For best reception, completely unravel and extend this wire.

Phono operation

1. Open the dust cover and press the volume knob to power on.
2. Use the function selector to select PHONO mode.
3. Set the speed selector to the appropriate position: 33, 45 or 78, depending on the record to be played.
4. Set the auto stop control to ON if you want the turntable to stop turning when it has reached the end of the record. If the switch is set to OFF, the turntable will continue turning at the end of the record.
5. Place the record on the turntable (use the 45 RPM adaptor, if required).
6. Move the lift lever towards the back to raise the tonearm from the arm park, then slowly move the arm to the record. The turntable will start rotating.
7. Move the lift lever towards the front, the tonearm will gently drop onto the record and playback will start.
8. To stop playback, move the lift lever towards the back to raise the tonearm. The turntable will still be rotating but the record will stop playing. To continue playback, move the lift lever towards the front.
9. To play a different piece on the record, move the lift lever towards the back, move the raised tonearm to the start of the piece and then move the lift lever towards the front to lower the tonearm and start playback.
10. To adjust the volume level, turn the volume knob to the right or left.
11. At the end of the record, move the lift lever towards the back to raise the tonearm and move it back to the tonearm park, and then move the lift lever towards the front to lower the arm onto its rest.
12. Alternatively, lift the tonearm off the record and return it to the arm rest manually.
13. When you have finished playing records, engage the tonearm lock to protect it from accidental movement. Press the volume knob to switch the unit off.
14. NOTE: Should your record stop before the last track finishes, set the auto stop control to OFF. Your record will now play to the end, but you will have to stop the turntable rotation manually. (Return the tonearm to its rest manually and if the turntable is still rotating, switch off the unit. Then, set the auto stop control back to ON.)

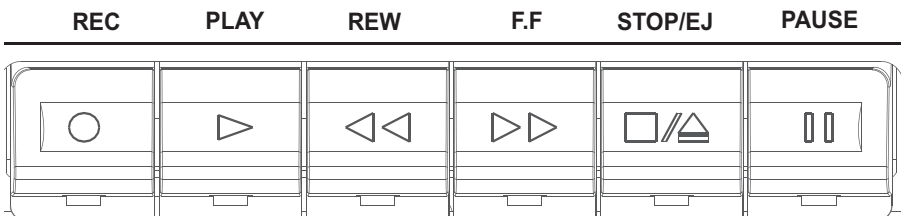
Phono encoding

1. Set the function button to PHONO mode and then insert a memory device (USB drive, SD or MMC card).
2. Put your record onto the turntable and get it ready for playback.
3. Press the record REC button. It will take about 3 - 4 seconds to read the memory device, then the USB or SD icon will be flashing on the LCD display.
4. Press the skip up or skip down button to select the desired mode (USB or SD) for encoding, then press the record REC button again to confirm. (You can skip this step if only a USB drive or an SD/MMC card is inserted.)
5. The system will start the encoding mode after a few seconds.
6. Lower the tonearm to start playback of the record. During encoding, the USB or SD icon will be flashing on the display.
7. To finish encoding, press the stop button. The display will show "END" and return to PHONO mode.

NOTE:

The recording speed is 1:1. Recording will take as long as playing the record. The recording format is preset at MP3 bit rate 128 kbps.

Cassette operation



1. Press the volume knob to turn on the power.
2. Select the TAPE function to set the unit to tape mode.
3. Press the Stop/Eject button to open the cassette door.
4. Insert the prerecorded cassette into the cassette tray and press the play button.
5. To fast forward, press the fast forward button. To stop fast forwarding, press Play button or Stop/Eject button. Press the Play button to play.
6. To rewind, press the Rewind button in. To stop rewinding, press Play button or Stop/Eject button. Press the Play button to play.
7. To stop the playback, press the Stop/Eject button once. To eject the cassette, press the Stop/Eject button again.

Note: Remove the cassette from the cassette holder when it is not in use.

Recording from RADIO / PHONO / AUX IN / CD / USB / SD to TAPE:

1. While playing the source (RADIO / PHONO / AUX IN / CD / USB / SD), press the "Tape EJECT" button to open the tape door.
2. Insert a blank tape into the Cassette Dock.
3. Close the tape door securely.
4. Simultaneously press the "RECORDER" and "PLAYER" buttons to prepare for recording.
5. Now, begin playing the songs or content you wish to record onto the tape.
6. If you need to pause the recording, press the "PAUSE" button. Press it again to continue recording.
7. To stop the recording, press the "STOP" button.

NOTE:

When the tape reaches its full-end during recording, the "RECORDER & PLAYER" buttons will automatically key-up.

IMPORTANT!

Ensure that you insert the cassette in the correct direction.

To prevent damage to the cassette, it is highly recommended to remove it from the equipment after playing.

Cassette encoding

1. Set the function button to TAPE mode and then insert a memory device (USB drive, SD or MMC card).
2. Press the record REC button, it will take 3 - 4 second to read the memory device, then the USB or SD icon will be flashing on the LCD display.
3. Press the skip up or skip down button to select the desired mode (USB or SD) for encoding, then press the record REC button again to confirm. (You can skip this step if only a USB drive or an SD/MMC card is inserted.)
4. The system will start the encoding mode after a few seconds. Insert your cassette into the playback slot. During encoding, the USB or SD icon will be flashing on the display.
5. To finish encoding, press the stop button. The display will show "END" and return to TAPE mode.

NOTE:

The recording format is preset at MP3 bit rate 128 kbps. The recording speed is 1:1. Recording will take as long as playing the cassette.

CD operation

1. Press the CD/USB/SD Button once to set the unit to CD mode.
2. Press the Open/Close button to open the CD tray and put the CD in the tray with the labeled side facing up.
3. Press the Open/Close button again to close the tray. The LCD display will show "READING" for a few seconds, then the first track on the CD will automatically start playing. If it is a blank CD or an unrecognizable CD, it will show "ERROR".

4. During the playback, press the Play/Pause button to pause. Press it again to resume playback.
5. To skip to the next or previous track, press the Forward Skip or Backward Skip button.
6. To skip to a specific time within a track, press and hold the Forward Skip or Backward Skip button until you reach the desired time. Release the button and the playback will resume.
7. To repeat a specific track, press Repeat button once while that track is playing. To repeat all the tracks, press the Repeat button twice. To repeat random tracks, press the Repeat button three times. To cancel repeat function, press the Repeat button again.

CD encoding

1. Set the function button to CD/USB/SD mode and then insert a memory device (USB drive, SD or MMC card).
2. Press the record REC button, it will take 3-4 seconds to read the memory device and then, the USB or SD icon will be flashing on the display.
3. Press the skip up or skip down button to select the desired mode (USB or SD) for encoding, and then press the record REC button again to confirm. (You can skip this step if only a USB drive or an SD/MMC card is inserted.)
4. The system will start the encoding mode after a few seconds. Insert your CD into the playback slot. During encoding, the USB or SD icon will be flashing on the display.
5. To finish encoding, press the stop button. The display will show "END" and return to CD/USB/SD mode.

NOTE:

The recording format is preset at MP3 bit rate 128 kbps. The recording speed is 1:1. Recording will take as long as playing the CD.

USB & SD operation

The system is able to decode and playback all MP3/WMA files stored in the memory media connected to the USB port or SD/MMC card slot.

Following the illustration below, insert a USB device face up into the USB port, making sure it is fully inserted. Alternatively, insert a memory card in the direction of the arrow (as shown on the icon next to the memory card slot), making sure to insert it straight without bending.



IMPORTANT: Connecting the USB device upside down or backwards could damage the audio system or storage media (USB drive, SD or MMC card). Check to ensure the direction is correct before connecting.

Press the CD/USB/SD button - twice for USB and three times for SD. The system will start reading the storage medium automatically after mode selection and will display the total number of folders and MP3/WMA files.

The system will then start audio playback from the media storage device (USB or SD card) automatically.

Playback controls

PLAY/PAUSE

Press this button once to stop playing, press it again to continue.

STOP

Press this button to stop audio playback, the display will then show the total number of MP3/WMA files.

SKIP UP

Press this button once to play the next file, press and hold this button to fast forward through the files/tracks.

SKIP DOWN

Press this button once to play the previous file, press and hold this button to fast reverse through the files/tracks.

TUNING KNOB

Turn this knob to the right/left to search a folder backward or forward.

Important notes

The system can detect and read files in MP3/WMA format only via the USB port or SD card slot. You can connect an MP3 player to the system via the USB socket; however, some MP3 players may not be able to play via the USB socket. This is due to variances in the MP3 encoding format; it is not a malfunction of the system. There are numerous USB and SD device producers and their products vary in solution and format. We therefore cannot guarantee that this unit will support all USB and SD devices from every brand.

This system supports SD cards up to 8GB.

MP3/WMA track format requirements:

MP3 bit rate: 32 kbps~256 kbps; WMA bit rate: 32 kbps ~ 320 kbps.

Programming tracks for playback

Up to 64 tracks can be programmed for MP3/WMA file playback in any order. Before programming, however, be sure the system is in STOP mode.

1. Set the function selector to CD/USB/SD mode, then press the stop button.
2. Press the program PROG button, MEM will be flashing on the LCD display, and it will indicate the program number and digits for the track number to be programmed.
3. Press the SKIP UP or SKIP DOWN button to select a desired track.
4. Press the program PROG button to store the track into the memory.
5. Repeat steps 3 and 4 to enter additional tracks into the memory.
6. When all desired tracks have been programmed, press the PLAY/PAUSE button to play the tracks in the assigned order.
7. To cancel programming, press the STOP button twice.

Copying of MP3 / WMA files

The system allows you to copy files from USB to SD/MMC or vice versa. You can copy a single file/track, a folder of files/tracks, or all files/tracks on the storage medium.

Copying a single file/track

1. Insert a USB storage device and SD/MMC card, then select USB/SD mode (as described previously).
2. Press the record REC button during playback of the track you want to copy. "ONE" will be flashing on the display. Press the record REC button again to confirm.
3. The USB or SD icon will be flashing on the display while the system is copying the file.
4. Once the file has been copied, the unit will stop playback automatically. "END" will be shown on the display and the system will revert to USB or SD mode.

Copying a folder

1. Insert a USB storage device and SD card, then select USB/SD mode (as described previously). When the system has recognised the device, press the stop button.
2. Turn the tuning knob to select the desired folder for copying.
3. Press the record REC button. "ONE" will be flashing on the display. Press the SKIP UP or SKIP DOWN button to select "FOL" (folder) on the display. Press the record REC button again to confirm.
4. The USB or SD icon will be flashing on the display while the system is copying the folder.
5. When the folder has been copied, the USB or SD icon will stop flashing on the display.

Copying all files/tracks

1. Insert a USB storage device and SD card, then select USB/SD mode (as described previously). When the system has recognised the device, press the stop button.
2. Press the record REC button. "ONE" will be flashing on the display. Press the SKIP UP or SKIP DOWN button to select "ALL" on the display. Press the record REC button again to confirm.
3. The USB or SD icon will be flashing on the display while the system is copying the files/tracks.
4. When all files/tracks have been copied, the USB or SD icon will stop flashing on the display.

NOTE: If you press the record REC button during playback in USB or SD mode, the file will copy from USB to SD or vice versa.

Deleting files from the USB device/SD card

The system is able to erase files stored on a USB drive or SD card. You can delete a single file/track, a folder of files/tracks, or all files/tracks on the storage medium.

Deleting a single file/track

1. Insert the USB storage device or SD card, then select USB/SD mode (as described previously).
2. Press the delete DEL button during the playback of the track you want to delete: "ONE" will be flashing on the display. Press the delete DEL button again to confirm.
3. "DEL" will show on the display while the file/track is being deleted until the deletion is complete.

Deleting a folder

1. Insert the USB storage device and SD card, then select USB/SD mode (as described previously). When the system has recognised the device, press the stop button.
2. Turn the tuning knob to select the desired folder for deleting.
3. Press the delete DEL button. "ONE" will be flashing on the display. Press the SKIP UP or SKIP DOWN button to select "DIR" (directory) on the display. Press the delete DEL button again to confirm.
4. "DEL" will show on the display while the folder is being deleted until the deletion is complete.

Deleting all files/tracks

1. Insert the USB storage device and SD card, then select USB/SD mode (as described previously). When the system has recognised the device, press the stop button.
2. Press the delete DEL button. "ONE" will be flashing on the display. Press the SKIP UP or SKIP DOWN button to select "ALL" on the display. Press the delete DEL button again to confirm.
3. While the system is deleting the files/tracks, the USB or SD icon will be flashing on the display until the deletion is complete.

NOTE: Pressing the delete DEL button will completely delete all files/tracks on the USB device or SD card.

Removing the USB device/SD card

First move the function selector to another mode (tuner, phono, tape), then press the volume knob to turn off the power.

To remove a USB device, pull it out of the USB port.

To remove a memory card, press the memory card inwards and then release it. The card will be released (partially ejected) and you can remove it by hand.

The auxiliary input

1. Use the function selector to select PHONO/AUX mode, then connect the external audio device (such as a CD player) to the AUX IN socket at the front of the equipment. The audio signal from the external audio device will now be played through the system.
2. If an external audio device is connected to the AUX IN socket, playing of the auxiliary device takes priority over record playback.

AUX IN encoding

1. Use the function selector to select PHONO/AUX mode and then insert a memory device (USB drive, SD or MMC card).
2. Press the record REC button, it will take 3-4 seconds to read the memory device, then the USB or SD icon will be flashing on the display.
3. Press the skip up or skip down button to select the desired mode (USB or SD) for encoding, then press the record REC button again to confirm. (You can skip this step if only a USB drive or an SD/MMC card is inserted.)
4. The system will start the encoding mode after a few seconds. During encoding, the USB or SD icon will be flashing on the display.
5. To finish encoding, press the stop button. The display will show "END" and return to PHONO/AUX mode.

NOTE: The recording format is preset at MP3 bit rate 128 kbps. The recording speed is 1:1. Recording will take as long as playing the CD (or other auxiliary input).

Bluetooth input

1. Press the BT button and set the unit to Bluetooth mode. Long-press the BT button if you're pairing with a new device for the first time.
2. Turn on the Bluetooth feature of your device, search for "CD114" and pair.
3. Play and stream music from your device to the unit.

NOTE:

If an external audio device is connected to the AUX IN socket, playing of the auxiliary device takes priority over Bluetooth input and cassette playback.

Make sure your Bluetooth device and the unit are within 15 meters of each other.

If you have trouble connecting, check and see if there are other Bluetooth devices nearby interfering with the signal and connection.

Bluetooth input encoding

1. When playing music via Bluetooth input, press the record REC button, it will take 3 - 4 seconds to read the memory device, then the USB or SD icon will be flashing on the display.
2. The system will start the encoding mode after a few seconds. During encoding, the USB or SD icon will be flashing on the display.
3. To finish encoding, press the stop button. The display will show "END" and return to Bluetooth mode.

TROUBLESHOOTING GUIDE

If you are experiencing problems with your Home Entertainment System, check in the list below whether there are any quick and easy checks you can do that may help solve the problem. If you cannot solve the problem by yourself, contact our after sales support for advice. Do not attempt to open, repair or modify the equipment yourself.

Problems with sound

Rotate the volume knob clockwise to increase the volume.

Make sure the unit's power cord is connected to an appropriate electrical outlet.

Make sure the wall socket is switched on.

Make sure the function switch is set to your desired function.

When playing records, make sure you've selected correct speed.

When playing a cassette, make sure it is properly inserted.

When playing a CD, make sure the CD is placed face up.

When playing a CD via the AUX IN connection, make sure the cable is firmly connected, all controls on the CD player are properly set, the disc tray is closed and the disc is clean and undamaged.

When playing music from USB device (or SD/MMC card), make sure the memory device is properly inserted in USB port (SD/MMC card slot) and correct MODE is selected.

Problems with radio reception

Make sure you are in an area that can receive signals for your selected radio station.

If AM reception is weak, rotate or reposition the equipment to improve reception.

If FM reception is weak, try the following to improve reception:

- Completely unravel the wire aerial at the back of the cabinet.
- Slightly move the wire aerial for better reception.

Try moving your radio to an alternative location to see if the reception improves.

Check that you do not have other electrical equipment too close to your radio, which may cause interference.

LENOXX™

www.lenoxx.com.au



1300 666 848



LenoxxElectronics



LenoxxElectronics



@LenoxxAustralia