

LENOXX
BT9350

LED STAGE LIGHTS

Bluetooth® SPEAKER



Model no: BT9350

Batch no: PR4350

PLEASE READ AND RETAIN INSTRUCTIONS FOR FUTURE REFERENCE.

Product Introduction

Get right into the groove with our LED Stage Lights Bluetooth Speaker, featuring flashing LEDs in the dual woofers and rotational stage lights. This Bluetooth system will be sure to put on quite a disco show in your very own lounge room.

Each woofer is 15.4cm in circumference and puts out 40 watts, ready to gear your next party. The flashing LEDs rotate between the colours red, blue, orange, pink, light blue, aqua and green – as well as displaying multiple flashing modes including pulse. If the stage lights are a bit too much for you, you can simply switch them off. If you prefer to enjoy your tunes without any flashing LED lights, listen via Bluetooth, FM radio, aux-in, USB or TF card modes with or without the LED lights.

The microphone input makes karaoke very simple and fun– it's as easy as plug and go. Microphones can also be plugged in for speeches and announcements at your next ceremony, party or celebration. The full functional remote can control the power, volume, bass, treble, LED flash mode, LED rotational mode, previous, next, play, pause, input mode, microphone volume adjustment and a quick-access mute button.

Whether relaxing at home or entertaining your guests, you can enjoy a wide range of compatibility with your smartphone, tablet and other music devices. Our LED Stage Lights Bluetooth Speaker boasts an impressive 80 watts RMS sound and is lightweight at just over 7 kilograms at a height of 87 centimetres.

Re-live the sensation of your favourite concert, dancing along with the stage lights and powerful bass, with our LED Stage Lights Bluetooth Speaker.

General Safety Instructions

Read this manual thoroughly before first use and keep it in a safe place for future reference, along with the completed warranty card, purchase receipt and carton. The safety precautions enclosed reduce the risk of fire, electric shock and injury when correctly adhered to.

Follow all instructions and take notice of all warnings to reduce the risk of fire or electric shock. This appliance is intended for household use only.

DANGER! CAUTION!

This symbol alerts you that there is dangerous voltage inside.

To prevent electric shock, do not open the enclosure.

IMPORTANT!

This symbol alerts you to read and observe important warnings and instructions on the unit or in this manual.

Electrical safety and cord handling

- To prevent contact with high voltage components inside, do not attempt to open the equipment.
- Before installing this equipment, make sure your outlet voltage corresponds to the voltage stated on the appliance rating label.
- When connecting the equipment, align the plug properly and insert it fully to prevent electric shock.
- Only use this equipment with the cord and plug supplied, and do not overload the power outlet.



- If the power cord is damaged, do not use the equipment. The cord must be replaced by the manufacturer or similarly qualified personnel to avoid a hazard. Contact the after-sales support line for advice.

CAUTION:

To reduce the risk of fire or electric shock, do not expose this equipment, the cord or plug to rain or moisture; do not use it anywhere near water or where water splashes or drips; do not touch the plug with wet hands.

In the event of water or other liquids entering the device, unplug it immediately and clean and dry it as best as possible. Then have it checked for damage by a qualified technician or contact the after-sales support line.

- Do not repair the unit yourself. Only have it serviced by qualified personnel. Contact the after-sales support line for advice.
- Unplug the unit from the power outlet after use to avoid possible damage during electrical storms, or when the equipment will be unattended or unused for an extended period.
- Do not let the cord hang over the edge of a table or counter or touch any hot surface. Do not allow anything to rest on or roll over the power cord and run any cords so that no one steps on or trips over them.
- Do not run the cord near heat-producing appliances such as radiators, stoves or irons. Excessive heat could melt insulation and expose live wires.
- Always grasp the plug, not the cord, when disconnecting the unit. Pulling the cord can damage the internal wires and may cause a fire.

Installation

When installing the unit, make sure to place it:

- Away from heat sources, radiators or other products that produce heat.
- Away from areas with hot temperatures, high humidity or direct sunlight.
- Away from excess dirt and dust.
- Away from open windows and any place where water may get into the unit and damage it.
- Make sure there is free circulation of air around the unit. Do not place it on a thick carpet, a bed or any place where ventilation holes are obstructed. Leave at least 10cm clearance around the unit.
- Make sure the mains socket is readily accessible at all times.

Usage conditions and restrictions

- Do not place heavy objects on top of the equipment or step on it.
- Do not place objects filled with water (such as vases) or any naked flame sources (such as lit candles, incense sticks or cigarettes) on top of the unit.
- The equipment is not intended for use by persons (including children) with reduced physical, sensory or mental capabilities, or lack of experience and knowledge, unless they have been given supervision or instruction concerning use of the equipment by a person responsible for their safety.
- Young children should be supervised to ensure they do not play with the equipment. Close supervision is always necessary when an appliance is used by or near children.
- We assume no liability for any damage caused by noncompliance with these instructions or any other improper use or mishandling of the equipment.

Getting Started

Before First Use

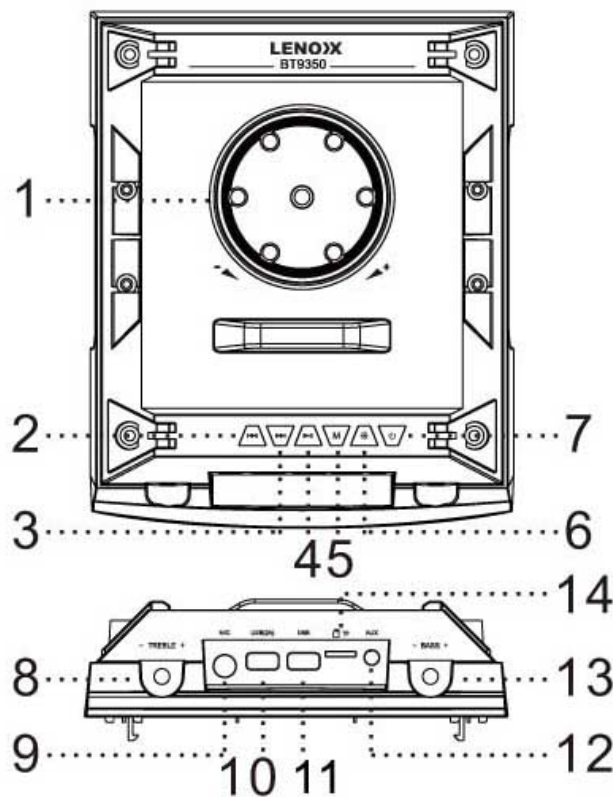
- The unit may become hot during operation. Always leave sufficient space around the unit for ventilation.
- The voltage supplied to the unit should match the voltage that is printed on the back panel. If you have any doubts concerning this matter, consult an electrician.
- Avoid placing the unit in direct sunlight or close to any sources of heat. Also avoid locations subject to vibrations and excessive dust, heat, cold or moisture.
- Do not expose the unit to water.
- Do not place the unit on an amplifier or receiver.
- Do not open the cabinet as this might result in damage to the circuits or an electric shock. If a foreign object gets into the unit, contact your dealer or service company.

Cleaning

- Unplug the unit from the power outlet before cleaning.
- Do not clean the unit with chemical solvents as this may damage the finish. Use a clean, dry cloth.
- Do not submerge the unit or remote in water.

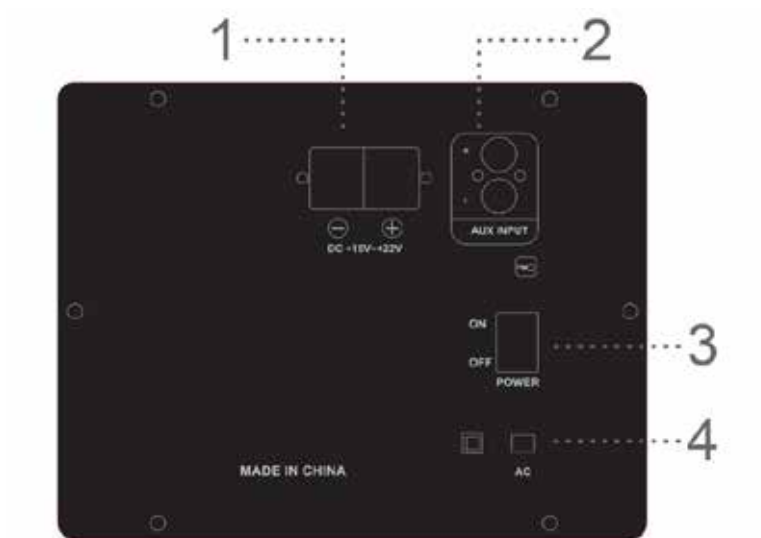
CONTROLS:

FRONT PANEL:



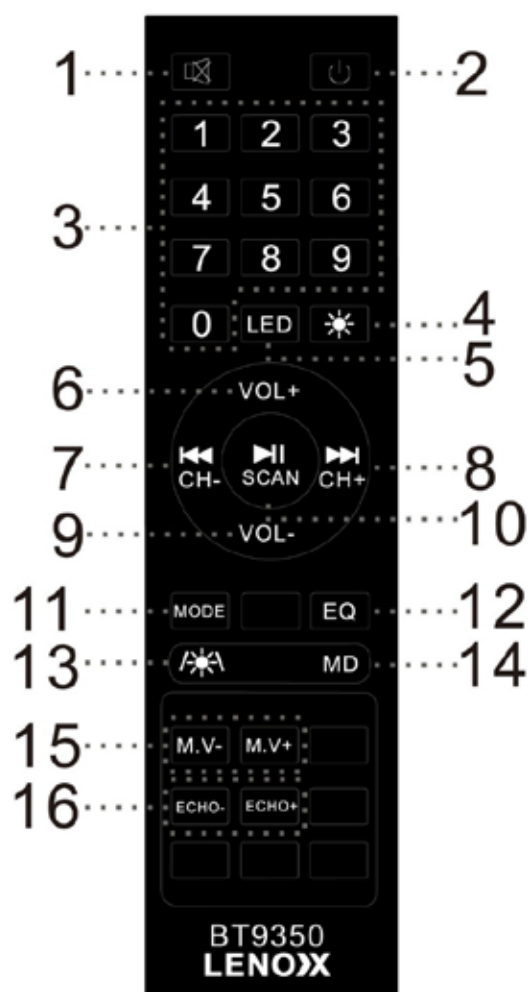
1. Volume adjustment knob: turn this knob located on the top of the speaker to increase or decrease the volume.
2. Previous button: Press to play the previous music track.
For use with the FM radio. Press this button to go to the previous position of scanned in radio station.
3. Next button: Press to move to the next music track.
For use with the FM radio. Press this button to go to the next position of scanned in radio station.
4. Play/Pause: Press to pause music playback. Press again to resume music playback.
5. Mode: Press this button to change between the different modes on the speaker, Bluetooth, Aux in or FM radio modes.
6. Light on/off: Press to turn all the lights off. Press again to turn all the lights on.
7. Power standby: Press to put the speaker in standby mode. Press again to take it off standby mode.
8. Treble adjustment: Turn to adjust the treble when playing back music.
9. Mic input socket.
10. USB (2A) output: This USB socket can be used to charge a device.
11. USB input: Add a USB stick to this USB socket to playback on USB mode.
12. TF card input: Add a memory card to this socket to play back music on the card.
13. AUX input: Connect an AUX in lead to this input socket and the other end of the earphone jack on a device (e.g.: MP3 player, phone) and playback music from the device into the speaker. AUX in lead is not included.
14. Bass adjustment: Turn to adjust the bass when playing back music.

REAR PANEL:



- 1. External battery 15V-22V Input:**
There is the option to connect an external battery to the rear of the unit through the black and red spring clips located on the rear panel of the speaker.
The battery is not included. The wires for connection are not included.
The battery required is 15V – 22V.
- 2. Auxiliary Line-In Aux):**
Use the included Aux in lead with red and white ends to connect the sound from a DVD player or TV into the Aux in port on the rear of the speaker.
- 3. Power Switch:**
Press to power the unit on, press again to power the unit off.
This must be done for the speaker to operate.
Before pressing the Power Standby Button on the front panel of the unit.
- 4. AC: 240V 50Hz Power cord.**

REMOTE CONTROL



1. Mute: Press to mute sound. Press again to unmute sound
2. Standby: Press to put the speaker into standby mode. Press again to take it off standby mode.
3. Numerical buttons: When the FM radio stations have been scanned in to the speaker, press the numerical buttons to go to a saved radio station position.
4. Lights: Press for all lights to be on or off.
5. LED: Press to change the mode of the lights displayed.
6. Vol +: Press to increase the volume level.
7. Prev/CH -: Press to play the previous music track or previous radio station.
8. Next/CH+: Press to play the next music track or next radio station
9. Vol -: Press to decrease the volume level
10. Play/Pause/scan: Press to pause playback of a music track. Press again to resume playback of a music track.
To program radio stations, press the scan button when the speaker is on radio mode. The speaker will then scan and save the available radio stations into pre-set memory positions.
11. Mode: Press repeatedly to change the playback mode on the speaker.
12. EQ: Press repeatedly to change the equaliser mode on the speaker during music playback.

13. Light flash: Press to change the light mode for the stage light. Press repeatedly to change between blinking, scrolling or off.
14. MD: Press to repeatedly change the scrolling mode of the stage light.
15. M.V – and M. V+: Microphone volume adjustment. Press M.V – to decrease microphone volume, press M.V+ to increase microphone volume.
16. Echo – and Echo+: Microphone echo adjustment. Press Echo – to decrease microphone echo, press Echo+ to increase microphone echo.

MUSIC PLAYBACK MODES

Press the mode button on the speaker or the remote to change between the different music playback modes on the speaker.

Aux in:

Connect the included aux in lead to the aux in ports (red and white) on rear of the speaker and connect the other end of the aux in lead to the earphone socket of your device (e.g.: MP3 player, smart phone or CD player with an earphone jack). Begin music playback on your device. The sound will come through the speaker.

Use the included AUX in lead with red and white ends to connect the sound from a DVD player or TV into the aux in port on the front of the speaker. It is recommended that the sound source has DTS or AC-3.

Alternatively, you can also use an aux lead with one connection going into the aux in port at the front of the speaker and into your aux in device. The aux in lead with one connection on each end is not included.

FM radio:

Scan in FM radio stations:

Press the scan button on the remote control. The speaker will then search for local radio stations and scan them into the radio. They will be saved into pre-set memory positions. For better radio reception, hold the wire FM antenna at the rear of the speaker in an upwards position and tape it to a wall.

When radio stations have been scanned in and saved, use the previous and next buttons on the speaker or remote control to change to a different radio station. If you know the saved position number of a radio station you want to listen to, enter that position number using the remote control and the radio will go to that position number.

Bluetooth:

Open the Bluetooth settings on your Bluetooth device (e.g.: smart phone). Look for the Bluetooth name BT9350 and pair.

Begin music playback from the Bluetooth device.

USB:

Add a USB stick to the USB port. The speaker will detect that a USB stick has been added and will begin music playback from it. The speaker will only playback MP3 music files on the stick. It can not read MP4 music files.

TF card:

Add a memory card to the TF card slot on the speaker. The speaker will detect that a memory card has been added and will begin music playback from it. The speaker will only playback MP3 music files on the card. It can not read MP4 music files.

USB (2A) PORT

This speaker has the capability to re-charge a device (e.g.: smart phone, MP3 player) through this port. Connect the USB end of the charge lead for the device to the USB (2A) port and the other end to the device.

MICROPHONE

Connect your own microphone into the MIC socket on the speaker to sing along to your music tracks. Microphone is not included.

Use the M.V – and M.V + buttons on the remote control to adjust the microphone volume.

Use the Echo – and Echo + buttons on the remote control to adjust the microphone echo.

BASS AND TREBLE


During music playback, turn the bass and treble knobs to adjust the bass and treble level.

TROUBLESHOOTING

PROBLEM	SOLUTION
No sound	Ensure the music source (e.g.: aux in device, Bluetooth device) is in music playback mode. Ensure you have turned the volume control knob on the top of the speaker.
Remote control not working	Replace the batteries in case of low power. The speaker is blocked by a large object, remove the large object. Inadequate distance and angle. Ensure the distance is no greater than 5 meters. Ensure the remote is no more then 30 degrees angled from the front panel of the speaker. For best results, hold the remote above the unit and aim it at the display screen.


LENOXX

www.lenoxx.com.au

 1300 666 848

 LenoxxElectronics

 LenoxxElectronics

 @LenoxxAustralia