

LENOXX®

Personal Portable Blender



Model: BNG540 | Batch: PR4682

Carefully read all instructions before use and save for future reference.

HOUSEHOLD USE ONLY

IMPORTANT SAFEGUARDS

PLEASE READ AND SAVE THIS INSTRUCTION MANUAL FOR FUTURE REFERENCE

When using an appliance, basic safety precautions should always be followed, including the following:

1. Read instructions carefully before use.
2. Before use, check that your local voltage corresponds with the specifications of the blender: 220-240V 50/60Hz.
3. Unplug from the outlet when not in use and before assembling, disassembling, or cleaning.
4. Do not use the appliance if the plug, power cable or unit itself are damaged. If the power cord is damaged, you must have it replaced at a service centre by qualified persons to avoid a hazard.
5. Always operate the appliance on a horizontal surface that is level and stable.
6. To prevent overheating, never allow the motor to run continuously for more than one minute at a time, as this may cause damage to the motor. The blender is equipped with an overheat protection which will activate and temporarily disable the motor if the appliance overheats. To reset, unplug it and allow to cool before using it again.
7. DO NOT operate the appliance with an empty container or when the bottle is filled past the MAX line.
8. NEVER place the blade head on the motor base without it first being attached to the bottle.
9. Twist the blade head onto the cup tightly to avoid liquid leaking out.
10. Do not blend hot liquids and do not place the bottle or any part of the blender in a microwave.
11. Blades are sharp. Handle carefully.

12. The appliance can be used by persons with reduced physical, sensory or mental capabilities or lack of experience and knowledge if they have been given supervision or instruction concerning the use of the appliance in a safe way and if they understand the hazards involved.

13. This product is intended for household and indoor use only.

14. Use of non-original accessories may lead to danger or personal injury.

15. Before each use, please check if the seal in the blade head is properly fitted in place. If needed, please press it down before use.

16. This appliance shouldn't be used by children. Keep the appliance and its cord out of reach of children.

17. Children shouldn't play with the appliance. Cleaning shouldn't be done by children unless they are supervised.

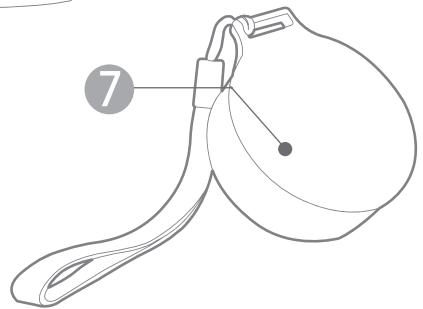
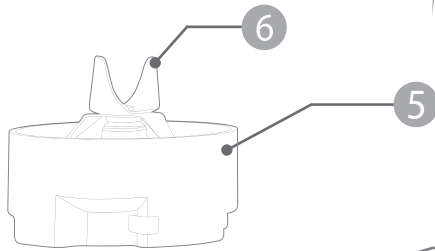
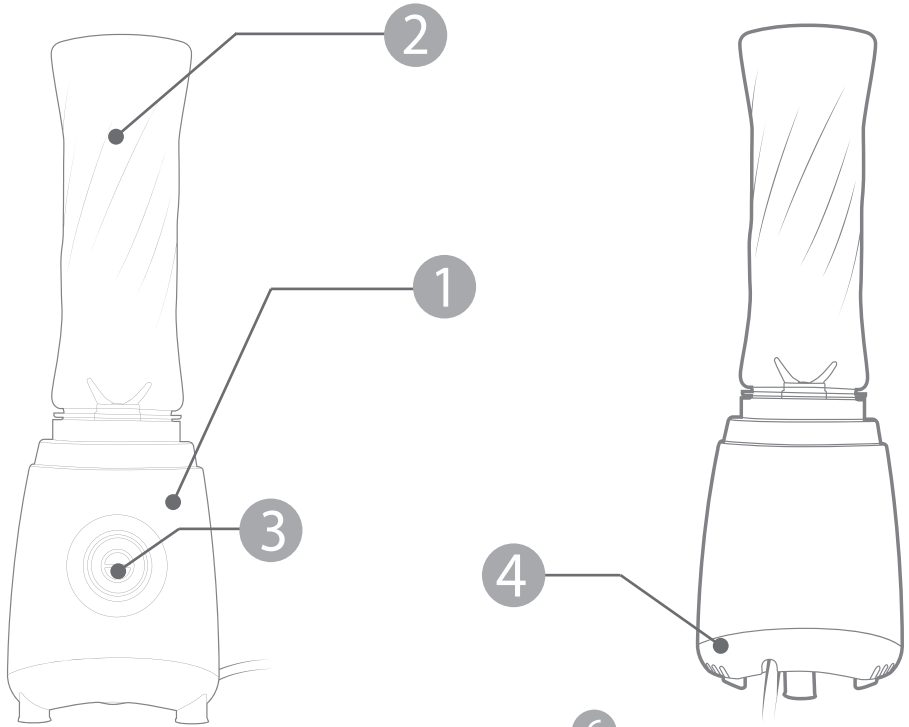
18. Never blend carbonated ingredients or liquids. Built-up pressure can cause the container to burst, resulting in possible injury.

19. Friction from the rotating blades can cause ingredients to heat and generate internal pressure in the sealed bottle. Do not continuously operate for longer than one minute.

Technical Parameters

Name	Personal Portable Blender
Model	BNG540
Rated power	220-240V 50/60Hz
Continuous Working Time of Mixing	≤1 min
Intervals	≥2min

YOUR PERSONAL PORTABLE BLENDER



- 1 Base
- 2 BPA free bottle
- 3 Power Button
- 4 Power Supply
- 5 Blade Head
- 6 Blades
- 7 Lid

BEFORE FIRST USE

Before using your blender for the first time, remove all packaging material and promotional labels. Wash the bottles, lids and blade head in warm soapy water. Rinse and dry thoroughly.

NOTE: The bottles and lids are dishwasher safe.

USING THE BLENDER

1. Place the bottle on a level surface and remove the lid. Put your favourite ingredients into the bottle - start with the liquid, then add other ingredients. DO NOT fill past the MAX line.
2. Tighten the blade head on top of the bottle.
3. Place the bottle with the blade head on the motor base, press it down lightly and turn it clockwise to lock.
4. Press the power button to start mixing. Do not mix for more than 1 minute at a time. Unplug the blender after every use.
5. Remove the blade head and clean it thoroughly. Cover the bottle with the lid or pour the drink into a glass. Wash the bottle after every use.

MIXING TIPS

1. Please always add liquid while blending.
2. For best efficiency, cut larger fruit and vegetables into small pieces and remove cores/pits etc.
3. Do not overfill the bottle or overheat the machine. If the motor stops working, immediately turn it off and unplug the blender. Allow it to cool for at least 20-30 minutes before restarting.
4. The blender cannot be used for mixing dough or grounding meat.

NOTE: The above Mixing Tips contain the most common troubleshooting methods. If other breakdowns occur, please contact our customer service. Never disassemble the blender to repair it on your own.

LENOXX®

www.lenoxx.com.au



1300 666 848



LenoxxElectronics



LenoxxElectronics



@LenoxxAustralia