

LENOXX
BMV26

Bluetooth DVD HI-FI System



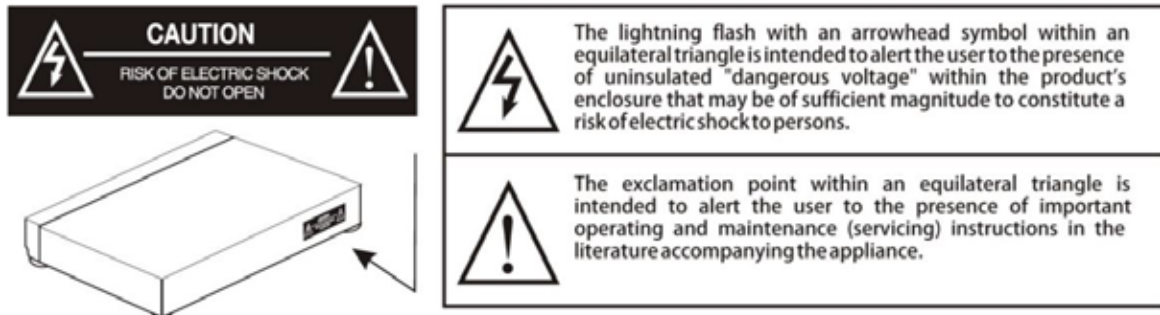
Model no: BMV26

Batch no: PR4175

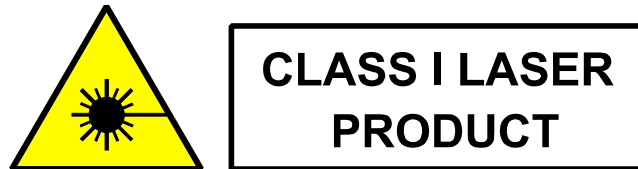
PLEASE READ AND RETAIN THESE INSTRUCTIONS FOR FUTURE REFERENCE.

The illustrations used in this manual are to illustrate the operation method and product structure of the product. Where there is a small difference between the physical item and the illustrations, please take the physical as the standard.

SAFETY INSTRUCTIONS:



WARNING: DO NOT EXPOSE THIS APPLIANCE TO RAIN OR MOISTURE, DUE TO THE HIGH RISK OF FIRE OR ELECTRIC SHOCK, DO NOT OPEN THE CABINET DANGEROUS HIGH VOLTAGES ARE PRESENT INSIDE THE ENCLOSURE. ONLY QUALIFIED SERVICE PERSONNEL SHOULD ATTEMPT THIS.



CAUTION: This Digital Video Disc Player employs a Laser System. To prevent direct exposure to the laser beam, do not try to open the enclosure. Visible laser radiation when open and interlocks defeated. Use of controls or adjustments or performance of procedures other than those specified herein may result in hazardous radiation exposure.

DO NOT STARE INTO BEAM.

To ensure proper use of this product, please read this owner's manual carefully and retain for future reference. Should the unit require maintenance, contact an authorized service location, or contact us. Only qualified service personnel should remove the cover.

Do not put batteries from the remote into fire. Please dispose of them appropriately.

Electrical safety and cord handling

- To prevent contact with high voltage components inside, do not attempt to open the equipment.
- Before installing this equipment, make sure your outlet voltage corresponds to the voltage stated on the appliance rating label.
- When connecting the equipment, align the plug properly and insert it fully to prevent electric shock.
- Only use this equipment with the cord and plug supplied, and do not overload the power outlet.
- If the power cord is damaged, do not use the equipment. The cord must be replaced by the manufacturer or similarly qualified personnel to avoid a hazard. Contact the after-sales support line for advice.

CAUTION:

To reduce the risk of fire or electric shock, do not expose this equipment, the cord or plug to rain or moisture; do not use it anywhere near water or where water splashes or drips; do not touch the plug

with wet hands. In the event of water or other liquids entering the device, unplug it immediately and clean and dry it as best as possible. Then have it checked for damage by a qualified technician or contact the after-sales support line.

- Do not repair the unit yourself. This product has no user-serviceable parts. Only have it serviced by qualified personnel. Contact the after-sales support line for advice.
- Unplug the unit from the power outlet after use to avoid possible damage during electrical storms, or when the equipment will be unattended or unused for an extended period.
- Do not let the cord hang over the edge of a table or counter or touch any hot surface. Do not allow anything to rest on or roll over the power cord and run any cords so that no one steps on or trips over them.
- Do not run the cord near heat-producing appliances such as radiators, stoves or irons. Excessive heat could melt insulation and expose live wires.
- Always grasp the plug, not the cord, when disconnecting the unit. Pulling the cord can damage the internal wires and may cause a fire.

Installation

When installing the unit, make sure to place it:

- Away from heat sources, radiators or other products that produce heat.
- Away from areas with hot temperatures, high humidity or direct sunlight.
- Away from excess dirt and dust.
- Away from open windows and any place where water may get into the unit and damage it.
- Make sure there is free circulation of air around the unit. Do not place it on a thick carpet, a bed or any place where ventilation holes are obstructed. Leave at least 10cm clearance around the unit.
- Make sure the mains socket is readily accessible at all times.

Usage conditions and restrictions

- Do not place heavy objects on top of the equipment or step on it.
- Do not place objects filled with water (such as vases) or any naked flame sources (such as lit candles, incense sticks or cigarettes) on top of the unit.
- The equipment is not intended for use by persons (including children) with reduced physical, sensory or mental capabilities, or lack of experience and knowledge, unless they have been given supervision or instruction concerning use of the equipment by a person responsible for their safety.
- Young children should be supervised to ensure they do not play with the equipment. Close supervision is always necessary when an appliance is used by or near children.
- We assume no liability for any damage caused by noncompliance with these instructions or any other improper use or mishandling of the equipment.

Before First Use

- The unit may become hot during operation. Always leave sufficient space around the unit for ventilation.
- The voltage supplied to the unit should match the voltage that is printed on the back panel. If you have any doubts concerning this matter, consult an electrician.
- Avoid placing the unit in direct sunlight or close to any sources of heat. Also avoid locations subject to vibrations and excessive dust, heat, cold or moisture.
- Do not expose the unit to water.
- Do not place the unit on an amplifier or receiver.
- Do not open the cabinet as this might result in damage to the circuits or an electric shock. If a foreign object gets into the unit, contact your dealer or service company.

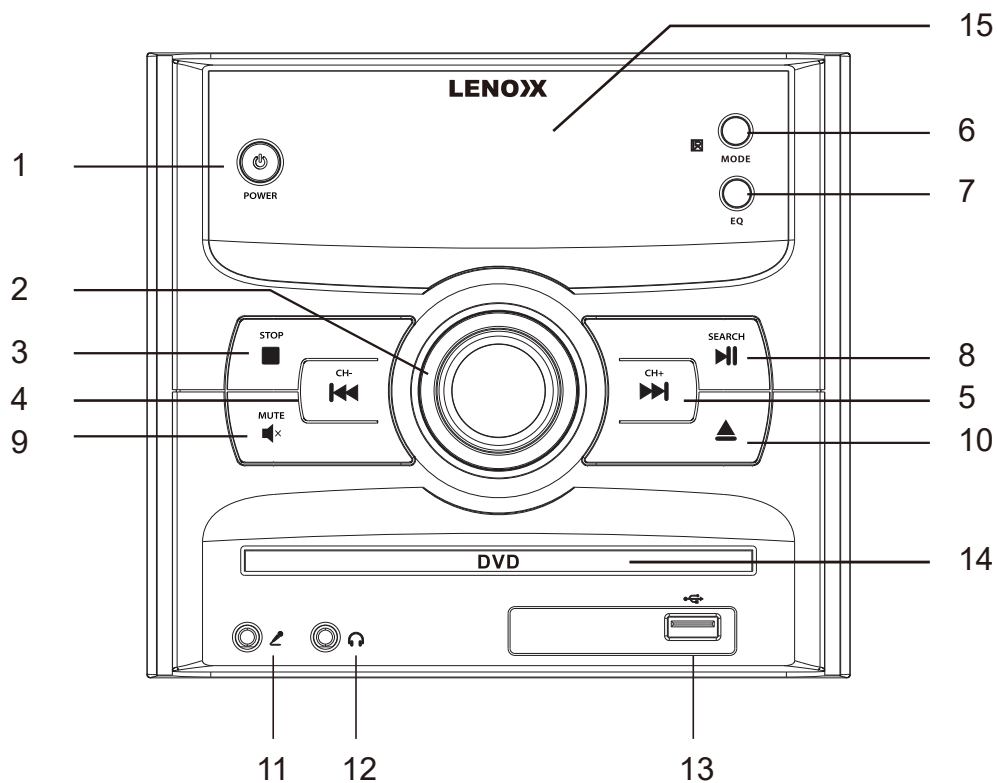
Cleaning

- Unplug the unit from the power outlet before cleaning.
- Do not clean the unit with chemical solvents as this may damage the finish. Use a clean, dry cloth.
- Do not submerge the unit or remote in water.

Discs

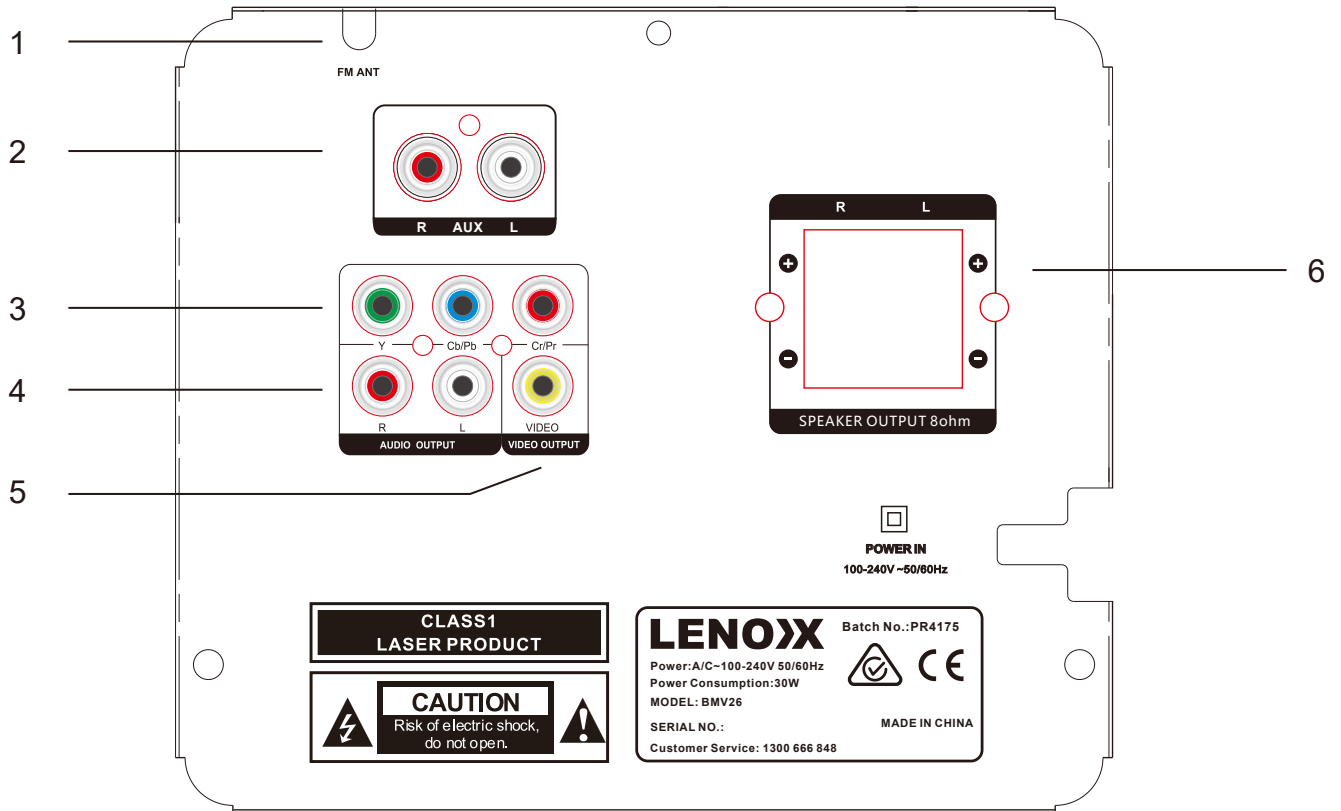
- As a disc is rotated at high speed, it is dangerous to play a broken or deformed disc. Do not apply any tape or glue to the disc as this could lead to damage of the unit. Should there be a strange noise or vibration whilst playing, if the picture or sound skips, or if the picture is distorted, stop the player immediately.

Front panel



1. Power button
2. Volume
3. Stop
4. Next/CH-
5. Prev/CH+
6. Mode (DVD/FM/AUX/BT)
7. EQ (Rock/Pop/Classic/Dance)
8. Play/Pause/Search
9. Mute
10. Open/Close
11. Mic input
12. Earphone jack
13. USB port
14. Disc tray
15. Display window

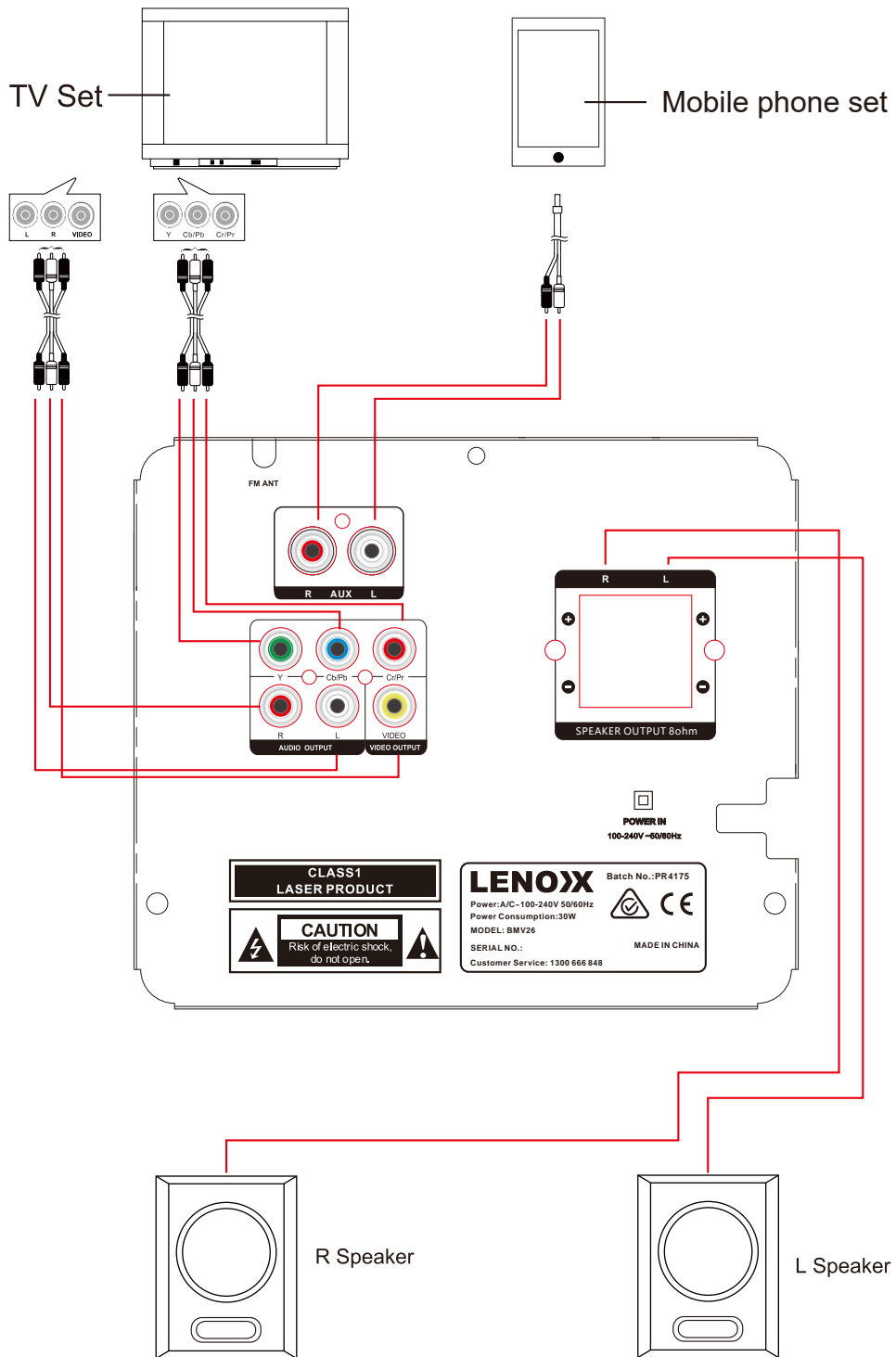
Rear Panel



1. FM antenna
2. AUX in port
3. Y/Cb/Pb/Cr/Pr
4. ML/MR out
5. Video out
6. Speaker out

Connections:

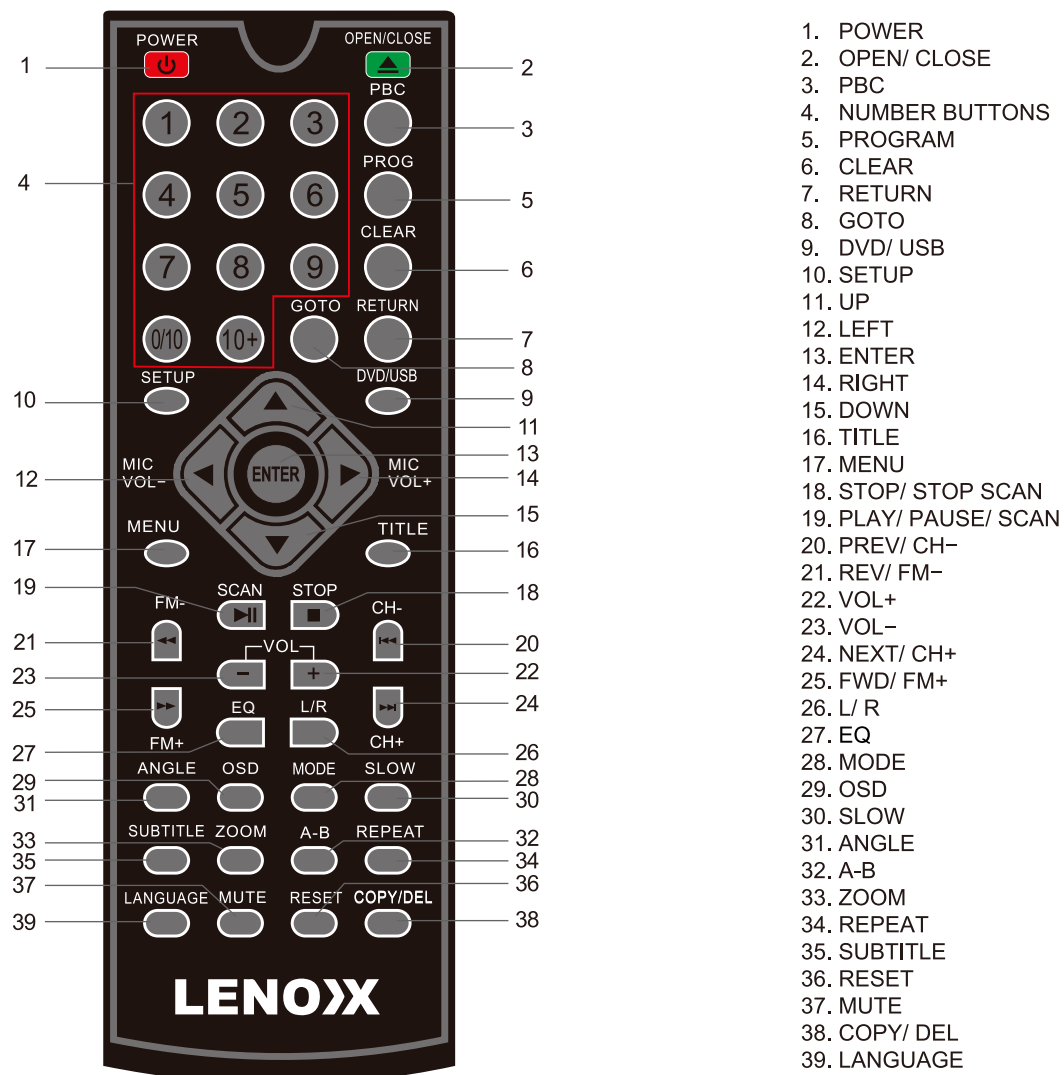
Connecting a TV set



Remote control

Before use:

Insert 2 x AAA batteries to the remote control's battery compartment as per the polarity indicator.
Batteries not included.



Remote functions

NO	OPERATION	INSTRUCTION
1	POWER	When the unit is on, press to put it in standby mode, press it again to take it off standby mode.
2	OPEN/ CLOSE	Press to open or close the disc tray.
3	PBC	The PBC allows VCD discs to be played. If PBC is on, use the numerical buttons to select a track but only from the menu. If PBC is off, the track can only be selected directly.
4	NUMBER BUTTONS	When playing a CD disc or USB stick, press a numbered button to play that track number.
5	PROGRAM	During playback of a CD disc, press the program button to setup the playback sequence manually. E.g.: to play particular songs but not others.
6	CLEAR	Press to remove a selection in some setup functions.
7	RETURN	Press this key to return to the main menu
8	GOTO	Press to jump to a certain time point in a DVD disc. This function will only work on discs which allow for this.
9	DVD/ USB	Press to change between DVD and USB playback modes.
10	SETUP	Press to access the on-screen setup menu.
11	UP	Directional button, used for navigation in menus.
12	LEFT/ MIC VOL -	Directional button, used for navigation in menus. Also used to adjust volume for a connected microphone.
13	ENTER	Press to confirm input data or selected options.
14	RIGHT/ MIC VOL +	Directional button, used for navigation in menus. Also used to adjust volume for a connected microphone.
15	DOWN	Directional button, used for navigation in menus.
16	TITLE	Press to go back to the title screen when playing a DVD disc.
17	MENU	Press to access the menu interface when playing a DVD disc.
18	STOP	Press to stop disc playback. Press the play button to resume normal playback. The player will go into screen saver mode if no button is pressed within 1 minute. Press any button to go back to normal mode.
19	PLAY/PAUSE SCAN	Press to pause playback. Press again to resume playback. Also For use to search for FM radio stations.
20	PREV/ CH -	Press to go back a previous track or chapter.
21	REV/ FM-	When playing a DVD disc, press to go backwards. Press the play button to resume normal playback. In radio mode, press to manually search for a radio station.
22	VOL +	Press to increase volume.
23	VOL -	Press to decrease volume.
24	NEXT/ CH+	Press to go forward to the next track or chapter.

25	FWD/ FM +	When playing a DVD disc, press to fast forward through a disc. Each time the FWD button is pressed, the fast forward speed changes. Press the play button to resume normal playback. In radio mode, press to manually search for a radio station.
26	L/R	Press to switch between left or right channel speakers.
27	EQ	Press to change between different EQ modes: rock, pop, classic, dance when playing a CD disc.
28	MODE (DVD/FM/AUX/BT)	Press to change to different playback sources.
29	OSD	Press to show information about the time that has been played back when playing a DVD disc.
30	SLOW	When playing a DVD disc, press repeatedly to slow up playback. Slow to 1/ 2.1/ 8.1/ 16.1/ 32. Press the play button to resume normal playback.
31	ANGLE	Press to watch a scene on a DVD disc from different angles. A multi angle icon will be shown on the bottom left hand corner on the TV screen to prompt you to shift from this angle to another angle.
32	A-B	To repeat a specific section of a DVD disc: - Press the A-B button to set POINT A as the starting point. - Press the A-B button again to set POINT B as the end point. The part between A and B will be played repeatedly. Press the A-B button again to cancel this function.
33	ZOOM	When playing a DVD disc, press the zoom button repeatedly to zoom into a picture by x1, x2 or x 4.
34	REPEAT	Press repeatedly to switch between various repeat modes depending on the disc type.
35	SUBTITLE	When playing a DVD disc with subtitle function, press to display subtitles.
36	RESET	Restore de fault settings
37	MUTE	Press to mute the sound. Press again for sound to resume.
38	COPY/DEL	used as a record button to copy music files to a USB stick.
39	LANGUAGE	When playing a DVD disc with a multi-language function, press to change the language.

Playback

CD:

1. When the unit is powered on, open the disc tray by pressing the OPEN/CLOSE button on the remote control or the unit.
2. When the disc tray has opened, add a CD disc to the disc tray and then press the OPEN/CLOSE button on the remote control or the unit.
3. Wait for a disc to load.
4. Some discs have an auto play feature built in and will begin music playback once they have loaded.

If a disc does not have an auto play feature, once the discs playback time is displayed on the screen, press the PLAY button on the remote control or the unit to begin music playback.

DVD:

1. Ensure the unit has been connected to TV via the yellow/red/white connections on the rear of the unit to the yellow/red/white on the TV ports on the TV.
Ensure the TV is on the correct AV channel. E.g.: AV 1, AV 2.
2. When the unit is powered on, open the disc tray by pressing the OPEN/CLOSE button on the remote control or the unit.
3. When the disc tray has opened, add a DVD disc to the disc tray and then press the OPEN/CLOSE button on the remote control or the unit.
4. Wait for a disc to load.
5. The video images from the disc will be shown on the TV screen. Use the buttons on the remote control to begin playback or access disc menu options.

USB:

1. Ensure the unit is powered on.
2. Connect the USB stick to the USB port.
3. Wait for the unit to detect and then read the USB stick and begin music playback.
4. If there is a DVD disc in the unit, press the DVD/USB button on the remote control to change the playback mode to USB stick.

AUX IN:

1. When the unit is powered on, press the MODE button on the unit or the remote control to switch between the different playback modes of the unit (DVD/TUNER/AUX/BLUETOOTH).
2. When AUX is shown on the screen, connect the external music player to the AUX R AND L ports at the rear of the unit using an AUX-IN lead (not included).
3. Begin music playback on the external music player.

BLUETOOTH:

1. When the unit is powered on, press the MODE button on the unit or the remote control to switch between the different playback modes of the unit (DVD/TUNER/AUX/BLUETOOTH).
2. When BLUETOOTH is shown on the screen, access the Bluetooth settings on your smart device to search for devices.
3. Connect with the device named BMV26.
4. After a successful pairing, begin music playback on your smart device.

FM RADIO:

1. To increase radio reception, unwind the wire antenna at the rear of the unit and mount it upwards. E.g.: on a wall.
2. When the unit is powered on, press the MODE button on the unit or the remote control to switch between the different playback modes of the unit (DVD/TUNER/AUX/BLUETOOTH).
3. When TUNER is shown on the screen, press the SEARCH button on unit or the remote control to automatically search and store radio stations.
4. When the search is complete, the unit will play the first stored channel.
5. Press the CH- or CH + button on the unit or the remote control to change between the stored radio stations.

- The FM - or FM + buttons on the remote control can be used to manually tune to FM radio stations.

Note: stored radio stations can not be manually set.

Earphone socket

Connect a pair of earphones (not included) to the earphone socket on the front of the unit to enjoy music without disrupting others.

Microphone socket

Connect a microphone (not included) into the mic in socket on the front of the unit to sing along to your favorited tunes.

Note: the size of the mic in socket is 3.5mm.

Note: To adjust the microphone settings, press the SETUP button on the remote control, arrow across to AUDIO, then arrow down to KARAOKE SETUP. There you can access the MIC SETUP.

Turn the mic on or off. Adjust the mic volume. Adjust the echo level.

SETUP page

Press the SETUP button on the remote control to access the SETUP page.

The SETUP page is accessible when the unit is connected to a TV screen.

Use the arrow directional buttons on the remote control to move down and across the different options on the screen. Use the enter button on the remote control to save settings when your chosen option is highlighted.



General:

General setup page. Arrow down to access options.

TV display (aspect rat: Arrow across to change between: Normal P/S, Normal L/B, Wide

Angle mark: Arrow across to change between: On, Off

OSD language: Arrow across to change to a different language from the options listed

Captions: Arrow across to change between: On, Off

Screen Saver: Arrow across to change between: On, Off

HDCD: Arrow across to change between: Off, 1 X, 2 X

Last memory: Arrow across to change between: On, Off

Audio:

Speaker setup page. Arrow down to access options.

Speaker setup page. Arrow down to access options.

Speaker: Press Enter to change between LT/RT, Stereo

Karaoke Setup: Press enter to access Mic set up.

Press enter again.

Mic: On, Off

Mic volume: level adjustment, use the up or down buttons

Echo level: Level adjustment, use the up or down buttons

Dolby:

Dolby digital setup page. Arrow down to access options.

Dual mono: arrow across to change between: Stereo, L-Mono, R-Mono, Mix-Mono

Dynamic: level adjustment, use the up or down buttons

Video:

Video setup page.

Component: arrow across to change between Video, YUV

Sharpness: arrow across to change between High, Medium, Low

Brightness: level adjustment, use the left or right buttons. Press enter when done

Contrast: level adjustment, use the left or right buttons. Press enter when done

Preference:

TV type: arrow across to change between PAL, Auto, NTSC

Audio: arrow across to change the spoken language from the options listed

Subtitle: arrow across to change the subtitle language from the options listed

Disc menu: arrow across to change the disc menu language from the options listed

Parental: used to change the level of parental control. If prompted, the password is 0000.

Password: to change the password, press enter.

Default: arrow across and then press enter to restore factory default settings.

USB copy

Ensure the USB stick does not exceed 16GB.

The unit must be connected to a TV screen to access the USB copy function.

Connect it to a TV using the yellow, red and white connections on the rear of the unit to the AV input on a TV.

The TV must then be turned on and on the correct AV channel with the unit turned on.

1. Add a CD disc to the CD tray and then close the CD tray. The CD will be read and then will begin playback.
2. Add a USB stick to the USB port on the unit.
3. Press the COPY/DEL button on the remote control. The music playback will stop.
4. The copying interface will be shown on the TV screen.

Use the directional arrow buttons on the remote control to move between different settings and make adjustments, when that setting is highlighted:

SPEED: Press the enter button on the remote control to change between normal and fast speed. Normal speed is recommended.

BITRATE: Press the enter button on the remote control to change between 128/192/256/320/96/112 kbps. 128 kbps is recommended.

CREATE ID3: Press the enter button on the remote control to change between YES or NO. An ID3 tag will only be created if the data is already on the music file which you were copying. If the data is not already there, it cannot be copied, even if you choose the yes option.

DEVICE: USB is the only option for this system.

5. Use the arrow directional button on the remote control to move to the right of the screen to select certain tracks to be copied onto the USB stick.
When your chosen track number is highlighted on the screen, press the enter button on the remote control.
You could also arrow down further to select all or select none.
6. When you are ready to copy, use the arrow buttons on the remote control so that START is highlighted on the screen.
Then press the ENTER button on the remote control.
The unit will read the CD disc.
The copying process will begin.
7. To stop the recording process, press the PLAY/PAUSE button on the remote control.

Troubleshooting

NO	PROBLEM	SOLUTION
1	"NO DISC" is displayed on the screen	<ol style="list-style-type: none"> 1. Ensure the disc is placed inside the tray correctly with the label side up. 2. Ensure the format of disc is compatible. 3. Ensure the discs are not dirty or damaged. 4. Clean the lens of the DVD player with a lens cleaning discs.
2	No sound	<ol style="list-style-type: none"> 1. Ensure speakers are connected properly. 2. If connecting to a TV, ensure correct connection to the TV. 3. Ensure the unit is not on mute. 4. Increase volume. 5. Increase volume on your Bluetooth or Aux-in device.
3	Remote control is not working	<ol style="list-style-type: none"> 1. The remote was not aimed at the unit correctly. Aim the remote at the display screen on the unit. 2. Batteries are not inserted correctly. Ensure batteries are inserted as per the polarity marked in the battery compartment of the remote control. 3. The batteries are flat. Add new batteries to the remote control.
4	No sound from mic	<p>When the unit is connected to a TV screen, press the SETUP button on the remote control to access the SETUP page.</p> <p>Access the AUDIO settings.</p> <p>Access the KARAOKE settings.</p> <p>There you can access the MIC SETUP.</p> <p>Turn the mic on or off. Adjust the mic volume. Adjust the echo level.</p>
5	Screen display on TV is in black and white	<p>When the unit is connected to a TV screen, press the SETUP button on the remote control to access the SETUP page.</p> <p>Access the PREFERENCE page.</p> <p>Access TV type.</p> <p>Arrow across to amend the settings.</p> <p>PAL is for Australia. Press the ENTER button on the remote control to save your selection.</p>



Specifications

SYSTEM	
Power supply	100V-240V-50/60Hz
Channel separation	40dB
DVD	
Frequency response	20Hz-20KHz (+/-3dB)
Audio S/N	>80dB
Horizontal definition	500 (TV)
Video type	DVD (MPEG2), VCD (MPEG1)
Audio type	MPEG1, MPEG2, PCM, Stereo
Audio output (Analogue audio)	Electric level output: 1.0-2.0v Resistance: 75 Ω
Audio output (Digital audio)	Electric level output: 0.5vp-p Resistance: 75 Ω
Video output	Electric level output: 1.0vp-p Resistance: 75 Ω
YUV output (Y.CB.CR)	Electric level output: 0.7vp-p Resistance: 75 Ω
TUNER	
FM frequency range	87.5 – 108 MHz
AMPLIFIER	
Output power	30W
FL/FR	30W/8 Ω
Frequency response	20Hz-20KHz+/-3dB
S/N	>80dB

LENOXX

www.lenoxx.com.au

 1300 666 848

 LenoxxElectronics

 LenoxxElectronics

 @LenoxxAustralia