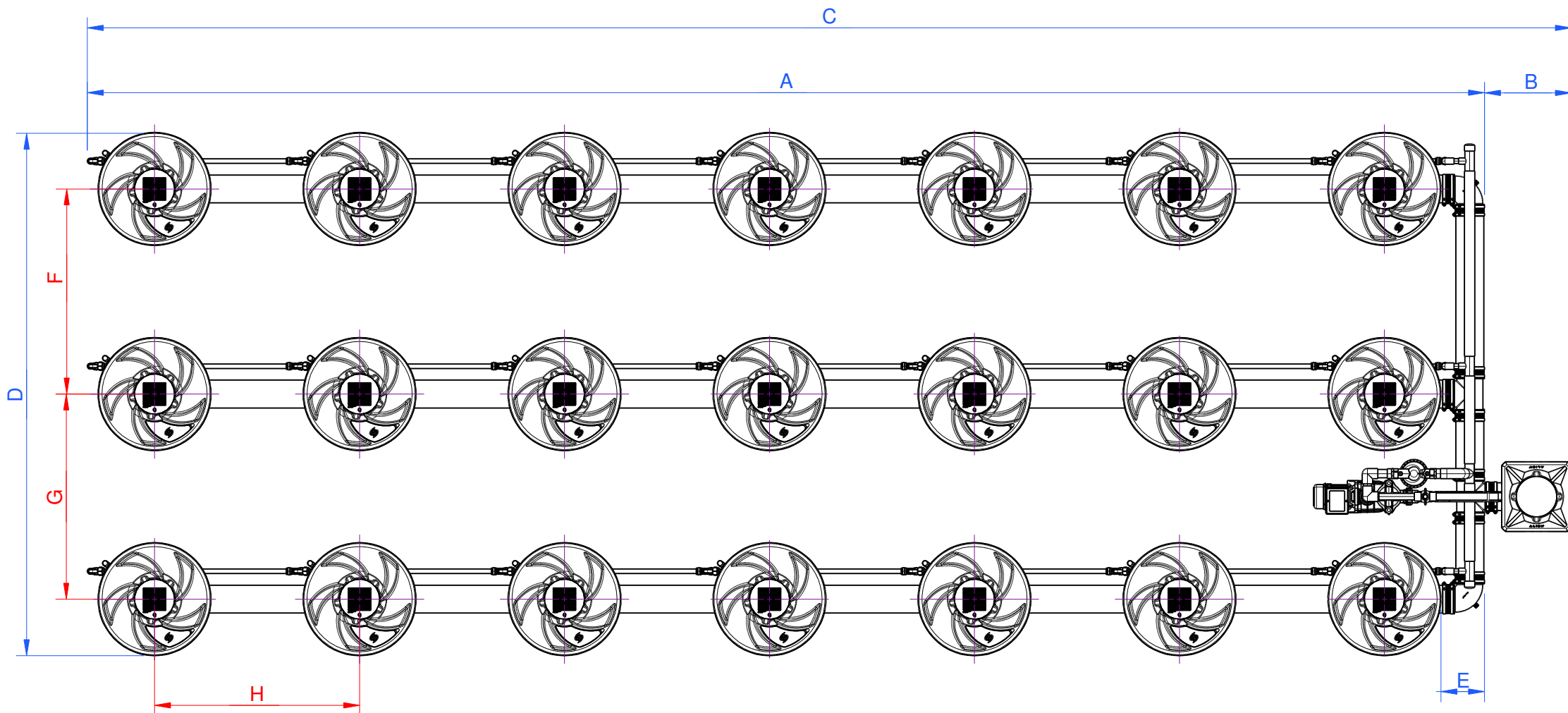


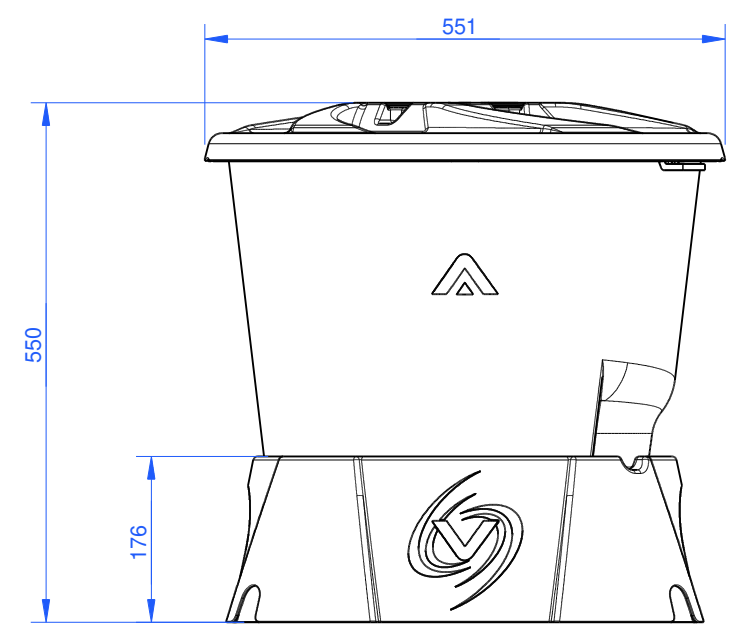
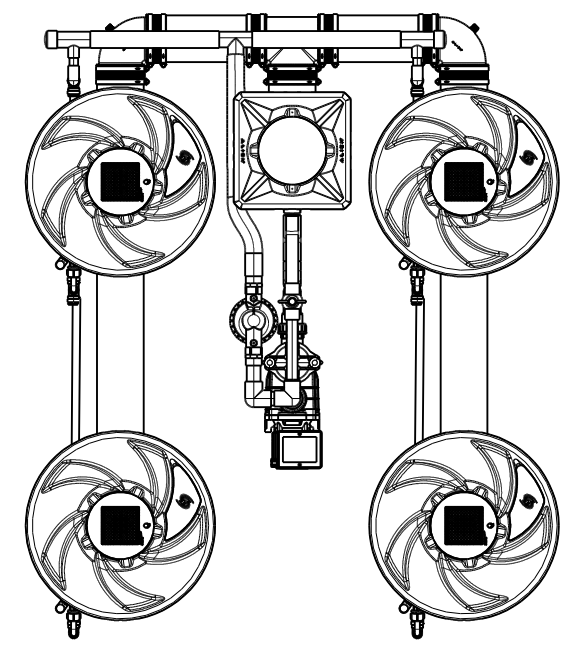
Rev	Date
A	12 / 08 / 2021



Inverted Header:

The header can be located inside the footprint as shown.

This option reduces overall length of system to dimension "A" (please refer to dimensions table).



Dimensions (mm)	Minimum (mm)	Maximum (mm) @ 1m Plant Centres*
A	4270	6820
B	420	1070
C	4690	7890
D	1760	2550
E	210	210
F	560	1000
G	650	1000
H	580	1000

*** Note:**
Plant centres greater than 1m are possible with custom order lengths of 5" tubing, please contact tech@alienhydroponics.co.uk for more details.

	Project: V-SYSTEM	Scale 1 : 26
	Title: 3 Row 21 Pot	
	Drawing Number: V-3.21	Sheet 1 of 1