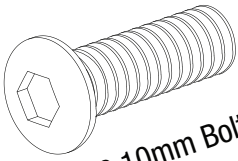


Assembly instruction

Rolling Bench 4' x 8'

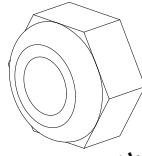


HYDROTEK[®]
HYDROPONICS

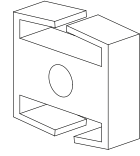


1 x80 10mm Bolt

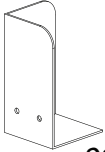
2 x8 20mm Bolt



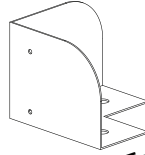
3 x36 Nut



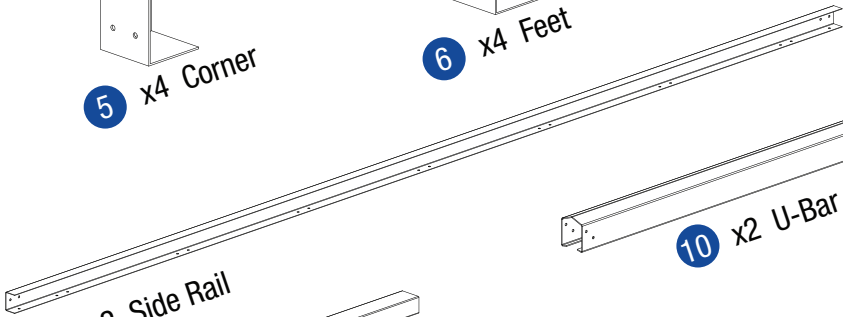
4 x8 Spacer



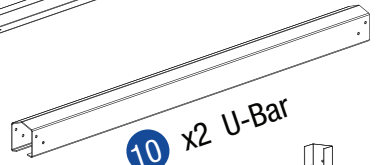
5 x4 Corner



6 x4 Feet



7 x2 Side Rail



10 x2 U-Bar

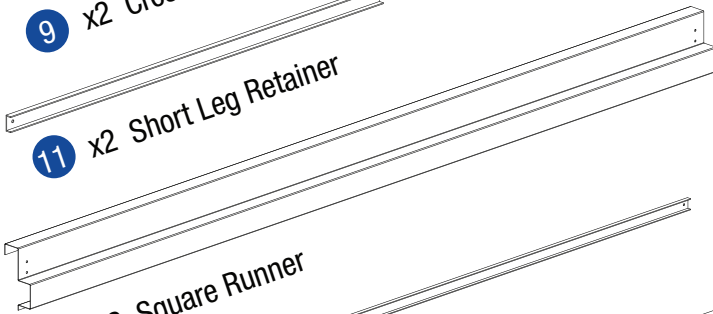


8 x5 Cross Bar A

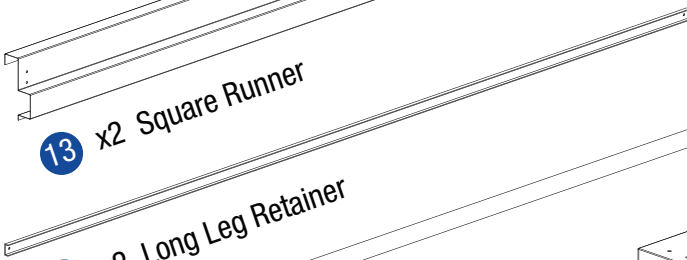
9 x2 Cross Bar B



11 x2 Short Leg Retainer

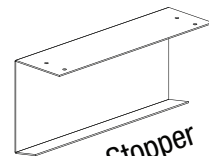


13 x2 Square Runner



14 x2 Long Leg Retainer

15 x2 Pipe

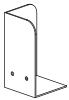


16 x2 Stopper

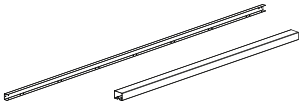


12 x4 Leg

1



5 x4



7 x2

8 x5

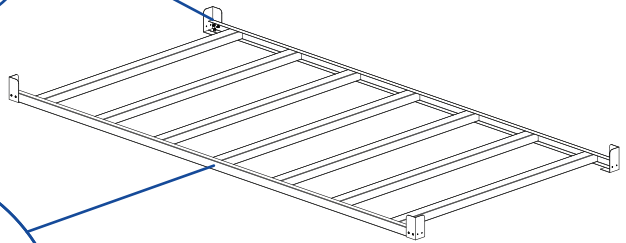
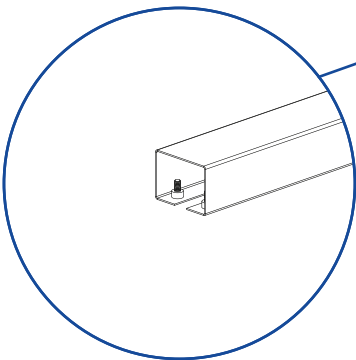
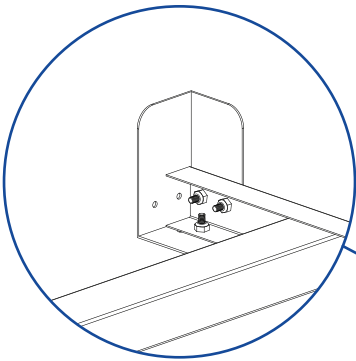
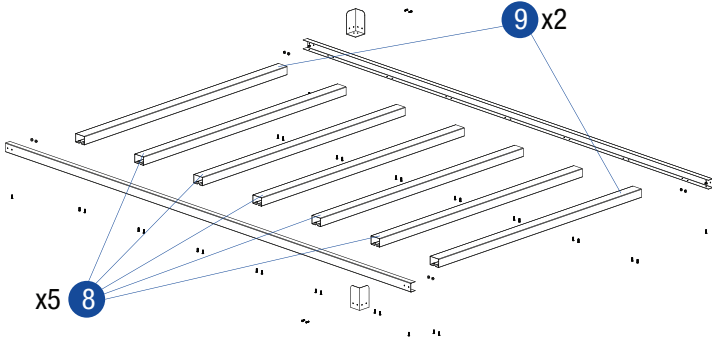
9 x2



1 x40



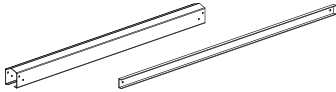
3 x12



2



6 x4



10 x2

11 x2



12 x4



1 x24

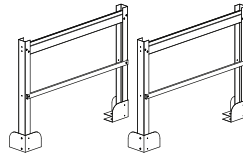
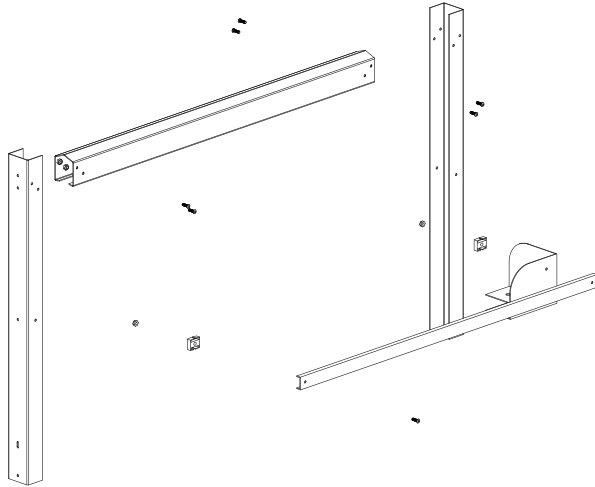
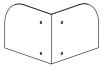
2 x4



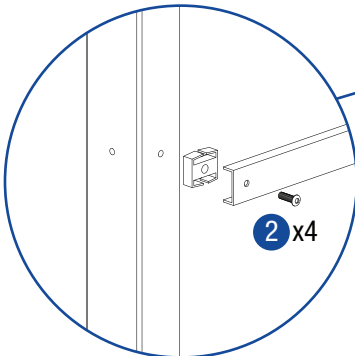
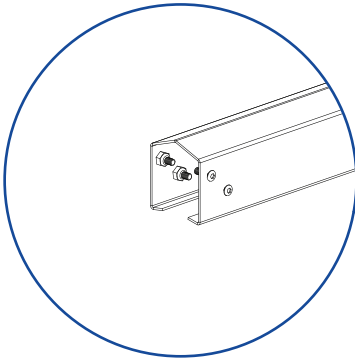
3 x20



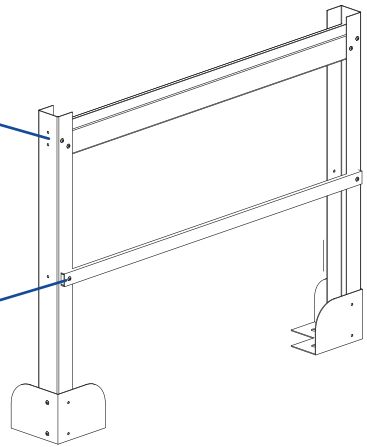
4 x4



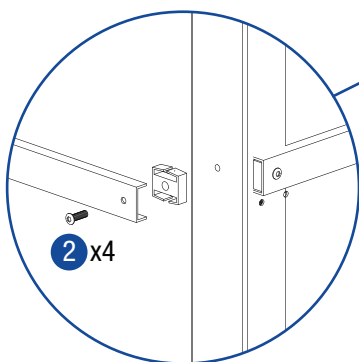
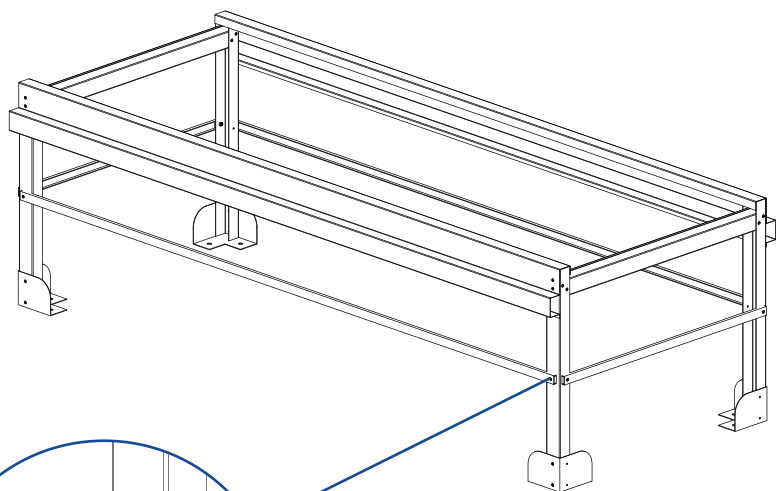
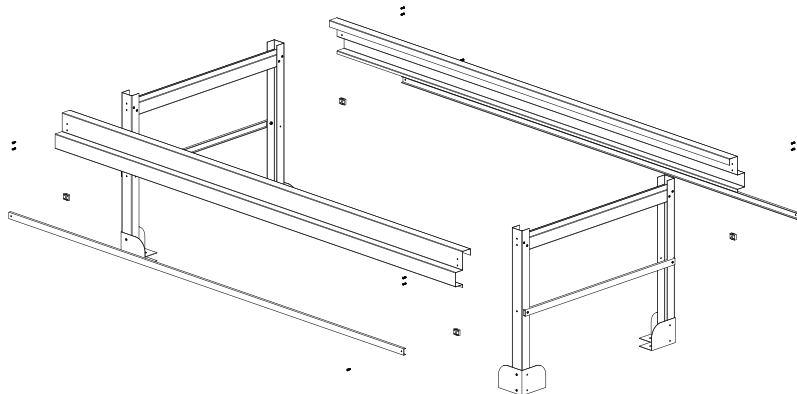
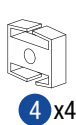
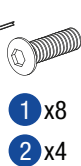
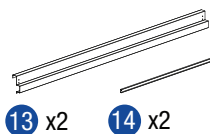
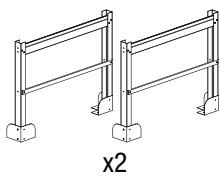
x2



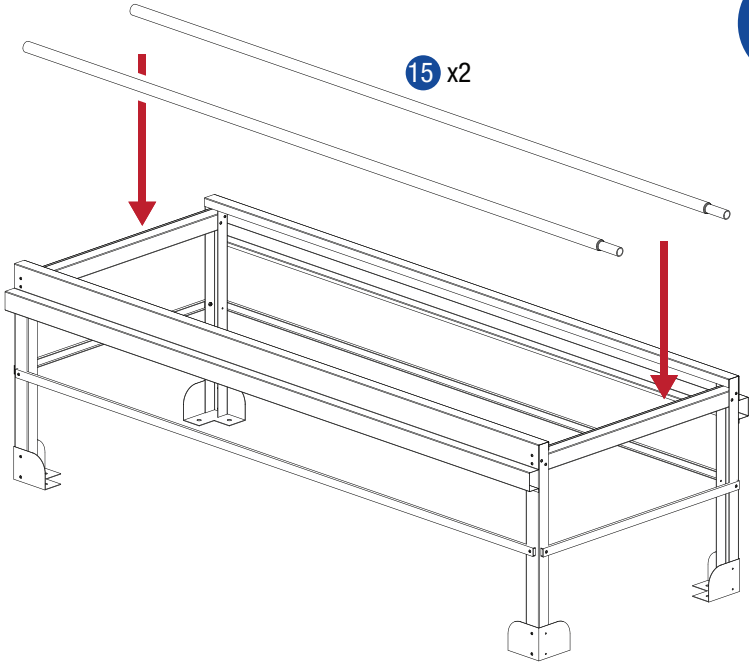
2 x4



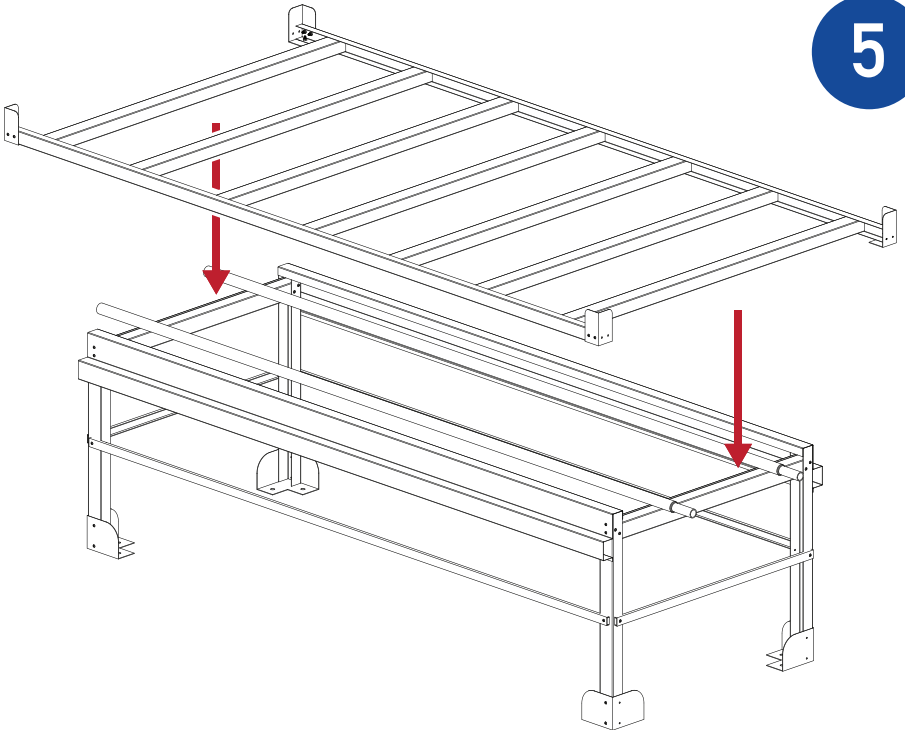
3

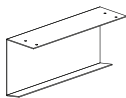


4



5

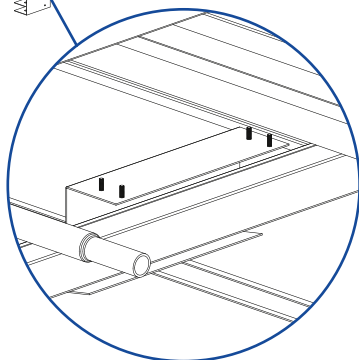
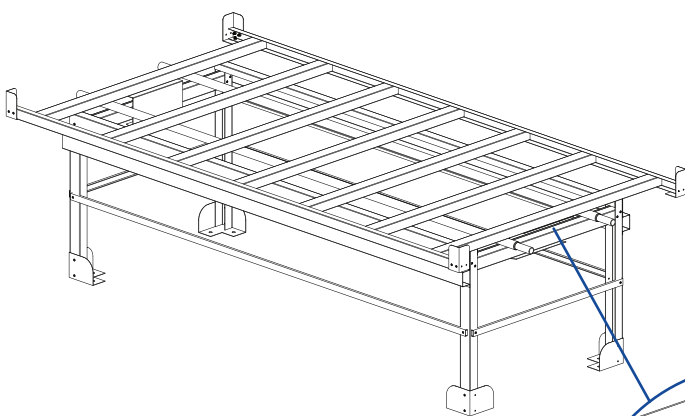
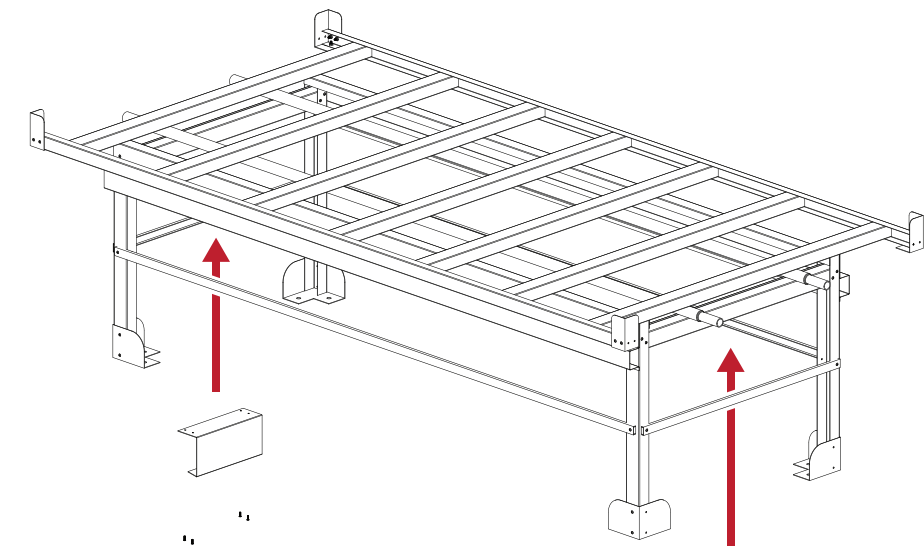


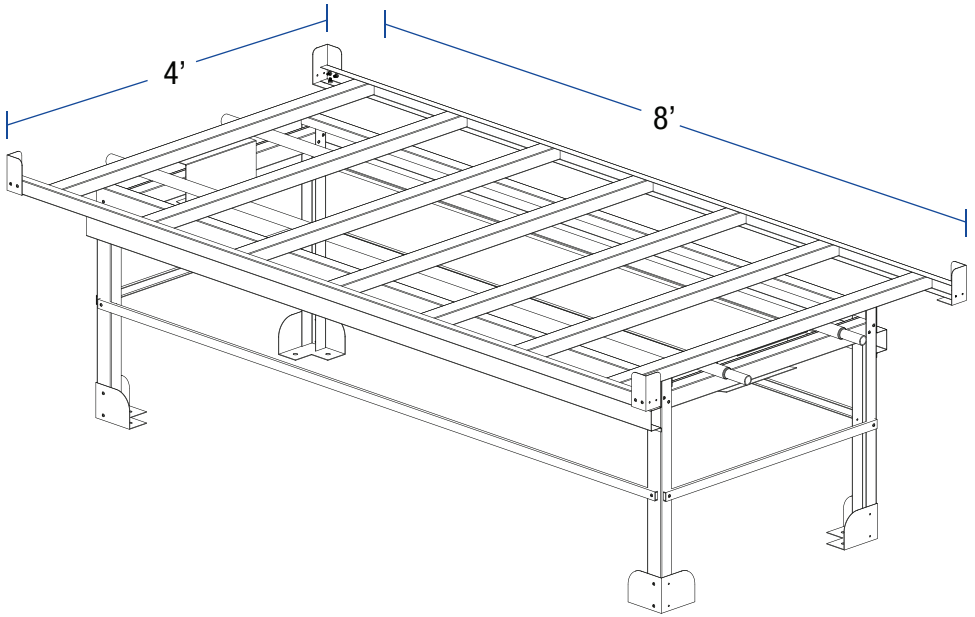


16 x2



1 x8





HYDROTEK[®]
HYDROPONICS

www.HydrotekHydroponics.com