

Apogee's new Daily Light Integral and Photoperiod meters are an elegant and accurate solution for measuring Daily Light Integral (DLI) and Photoperiod for up to 99 days.



DLI-400: Sunlight Only
PAR 400-700 nm



DLI-500: Full-Spectrum
PAR 400-700 nm

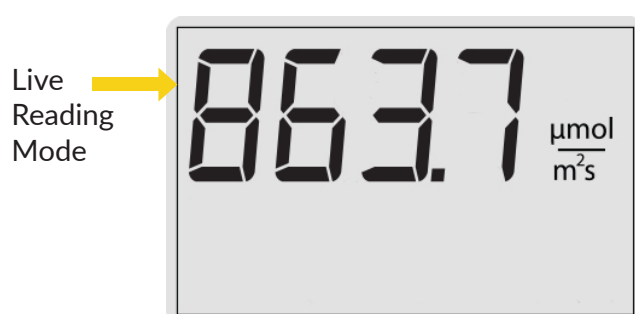


DLI-600: ePAR
ePAR 400-750 nm

Stored Data Screen

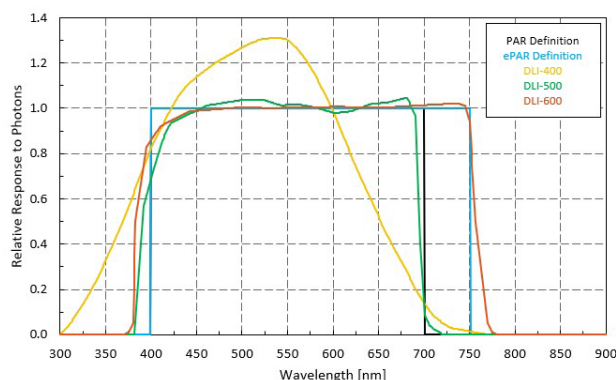


Instantaneous Data Screen

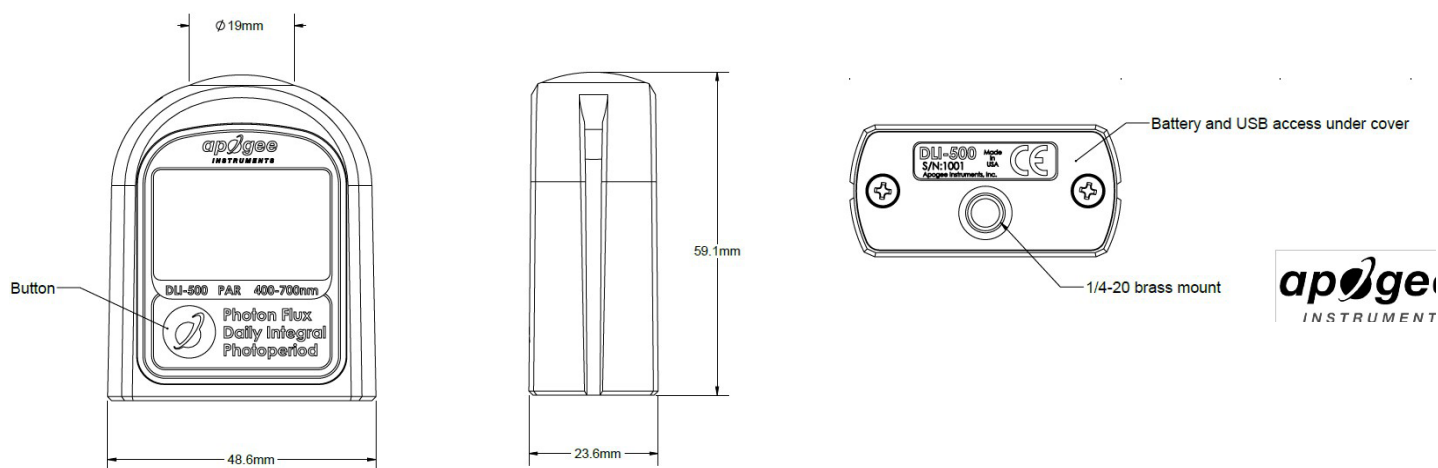


Features

- Live photosynthetically active radiation (PAR) or extended PAR (ePAR) measurements
- Logs and displays 99 days of:
 - Daily Light Integral (DLI)
 - Photoperiod to 0.1 hours
- View data onscreen or download via USB-C port
- ¼-20 threaded mounting port for use with common camera tripods, etc
- Rugged and splashproof
- Scientific-grade accuracy



The DLI meters have a spectral range of 400 to 700 nm PAR (DLI-400 and DLI-500) and 400 to 750 nm ePAR (DLI-600). The spectral responses of DLI-400 (yellow), DLI-500 (green), and DLI-600 (orange) can be seen in the graph above.



Product Specifications

	DLI-400	DLI-500	DLI-600
Calibration Uncertainty		± 5 %	
Measurement Repeatability		Less than 0.5 %	
Measurement Range		0 to 4000 $\mu\text{mol m}^{-2} \text{s}^{-1}$	
Long-term Drift		Less than 2 % per year	
Field of View		180°	
Spectral Measurement Range ($\pm 5 \text{ nm}$)	370 to 650 nm (sunlight only)	389 to 692 nm	383 to 757 nm
Directional (Cosine) Response		± 5 % at 75° zenith angle	
Temperature Response	-0.04 % per C		-0.11 ± 0.04 % per C
Response Time		2.5 seconds	
Data Log Capacity		99 days (DLI & Photoperiod), 10 days (30 min PPFd/ePPFD averages)	
Non-linearity		Less than 1 % (up to 4000 $\mu\text{mol m}^{-2} \text{s}^{-1}$)	
Stored Data Resolution (PPFD)		0.1 $\mu\text{mol m}^{-2} \text{s}^{-1}$ (when ≥ 1000 , the screen will not display the decimal)	
Stored Data Resolution (DLI)		0.1 $\text{mol m}^{-2} \text{day}^{-1}$	
Stored Data Resolution (Photoperiod)		0.1 hours	
Operating Environment	-10 to 60 C; 0 to 100 % relative humidity		-40 to 70 C; 0 to 100 % relative humidity
Dimensions		1.91 W x 2.31 H x 0.93 D (inches)	
Mass		67 g	
Warranty		4 years against defects in materials and workmanship	