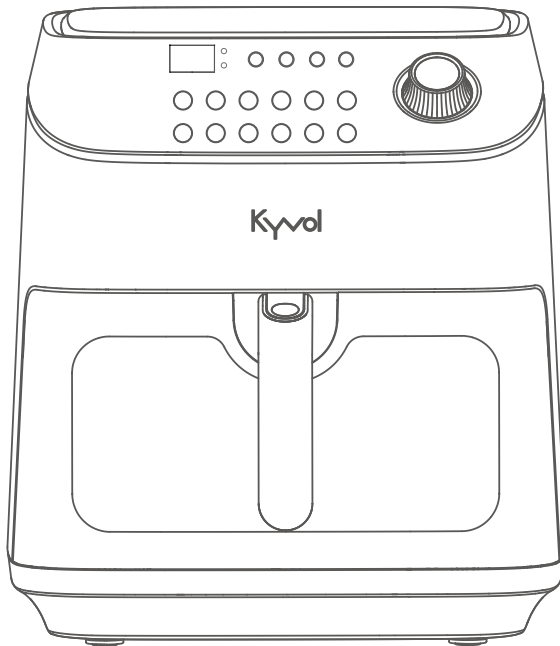


Air Fryer

User Manual



AF600/AF600T

➤ Please scan the QR codes below to download the recipes.



English

CONTENTS


IMPORTANT SAFETY INSTRUCTIONS	01
WHAT'S INCLUDED	02
KNOWING YOUR AIR FRYER	03
AIR FRYER	03
CRISPER PLATE	03
CONTROL PANEL	04
SPECIFICATIONS	04
GETTING STARTED	05
USING YOUR AIR FRYER	06
POWERING ON	06
PREHEATING	07
SELECTING PROGRAMS	08
SETTING TEMPERATURE	10
SETTING TIME	11
PAUSING/RESUMING	12

POWERING OFF	12
OVERHEAT PROTECTION	13
COOKING TIPS	13
OPERATING VIA KYVOL APP	14
APP DOWNLOADING AND INSTALLATION	14
APP REGISTRATION AND LOGIN	15
CONNECTION MODE	15
QUICK RECIPE	16
COOKING COUNTDOWN TIMER	17
MAINTENANCE AND CARE	17
EXTERIOR	18
FRYER BASKET AND CRISPER PLATE	19
STUBBORN FOOD RESIDUE	19
TROUBLESHOOTING GUIDE	19

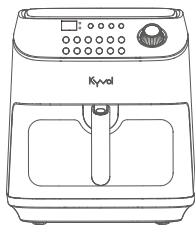
IMPORTANT SAFETY INSTRUCTIONS

When using electrical appliances, basic safety precautions should always be followed including the following:

- Read all instructions.
- Do not touch hot surfaces. Use handles or knobs.
- To protect against electrical shock, do not immerse cord, plugs, or appliance in water or other liquid.
- Close supervision is necessary when any appliance is used by or near children.
- Unplug from outlet when not in use and before cleaning. Allow to cool before putting on or taking off parts.
- Do not operate any appliance with a damaged cord or plug or after the appliance malfunctions or has been damaged in any manner.
- The use of accessory attachments not recommended by the appliance manufacturer may cause injuries.
- Do not use outdoors.
- Do not let cord hang over edge of table or counter, or touch hot surfaces.
- Do not place on or near a hot gas or electric burner, or in a heated oven.
- Please use with extreme caution when moving an appliance containing hot oil or other hot liquids.
- Always attach plug to appliance first, then plug cord into the wall outlet. To disconnect, turn any control to "off", then remove plug from wall outlet.
- Do not use appliance for other than intended use.
- A short power supply cord is provided to reduce the risk resulting from becoming entangled in or tripping over a longer cord.
- An appliance provided with a flexible cord less than 4-1/2 feet (1.4 m) in length shall be provided with the following information:
 - a) A short power supply cord is provided to reduce the risk resulting from becoming entangled in or tripping over a longer cord.
 - b) Longer detachable power supply cords or extension cords are available and may be used if care is exercised in their use.
 - c) If a longer detachable power supply cord or extension cord is used:
 - 1) The marked electrical rating of the cord set or extension cord should be at least as great as the electrical rating of the appliance;
 - 2) The cord should be arranged so that it will not drape over the countertop or tabletop where it can be pulled on by children or tripped over unintentionally.

- CAUTION: Hot surface 
- This appliance is not intended for use by persons (including children) with reduced physical, sensory or mental capabilities, or lack of experience and knowledge, unless they have been given supervision or instruction concerning use of the appliance by a person responsible for their safety. Children should be supervised to ensure that they do not play with the appliance.
- The appliances are not intended to be operated by means of an external timer or separate remote control system.
- This appliance has a polarized plug (one blade is wider than the other). To reduce the risk of electric shock, this plug is intended to fit into a polarized outlet only one way. If the plug does not fit fully into the outlet, reverse the plug. If it still does not fit, contact a qualified electrician. Do not attempt to modify the plug in any way.
- Kyvol will accept no liability or responsibility for fires, explosions or electrical shocks caused by improper operation, dismantling the air fryer or by not adhering to the above safety instructions.
- Save these instructions.

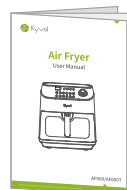
WHAT'S INCLUDED



Kyvol Air Fryer



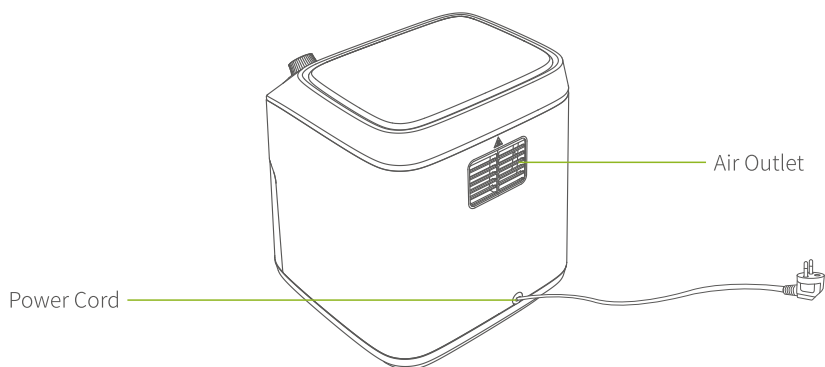
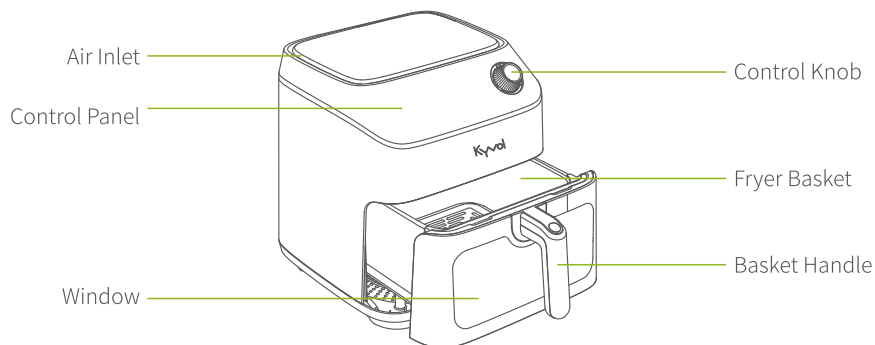
Nonstick Crisper Plate



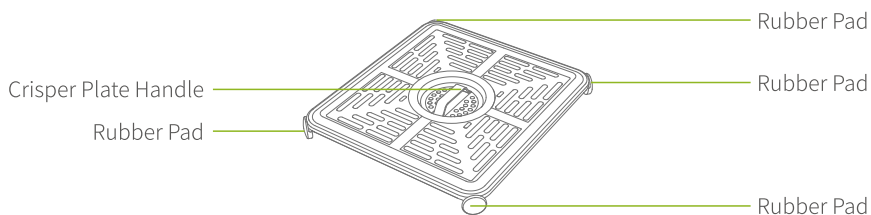
User Manual

KNOWING YOUR AIR FRYER

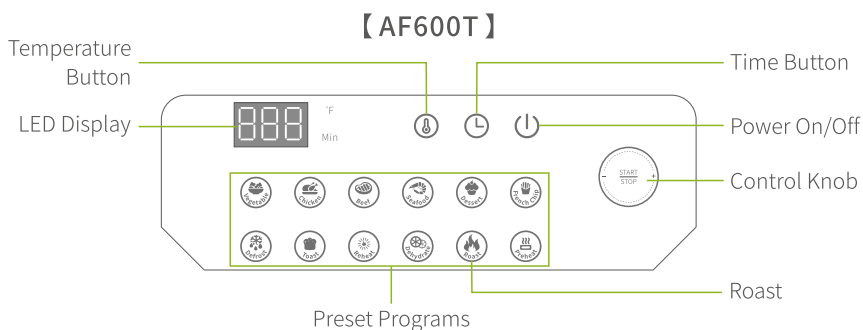
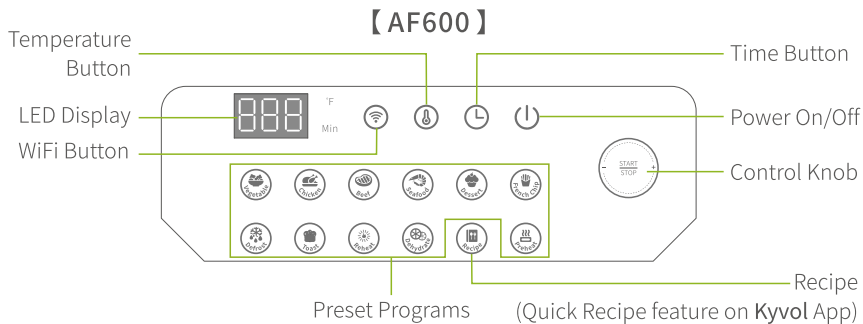
AIR FRYER



CRISPER PLATE



CONTROL PANEL

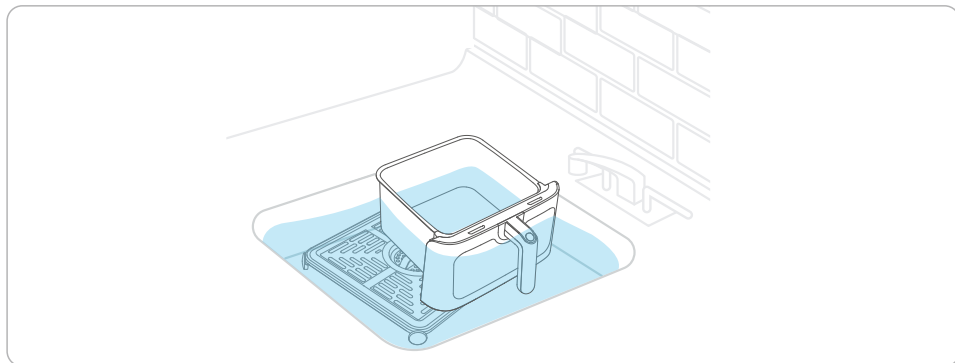


SPECIFICATIONS

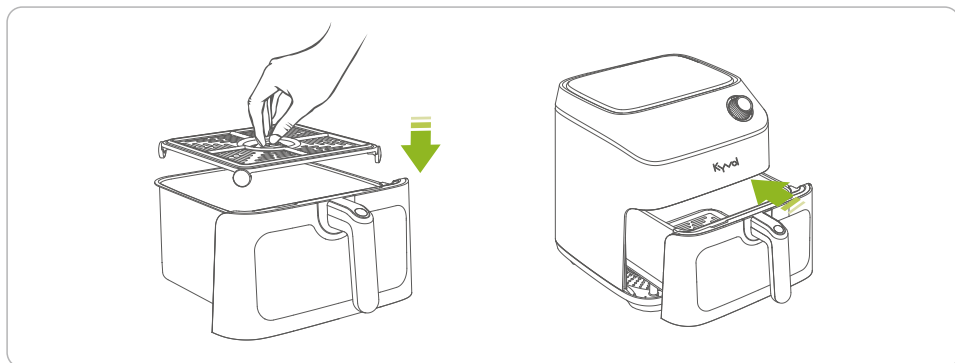
Model	AF600	AF600T
Dimensions	302 × 356 × 328mm / 11.9 × 14.0 × 12.9inches	
Capacity	6.0qt/5.7L	
Input	120V~, 60Hz, 1350W	
Net Weight	5.3kg/11.7lb	
Wifi & App	Supported	Not Supported

GETTING STARTED

- 1 Remove all the packaging materials, stickers and labels from the air fryer.
- 2 Draw out the **Fryer Basket**; wash the **Fryer Basket** and the **Crisper Plate** in warm, soapy water or in a dishwasher, then rinse and dry thoroughly.



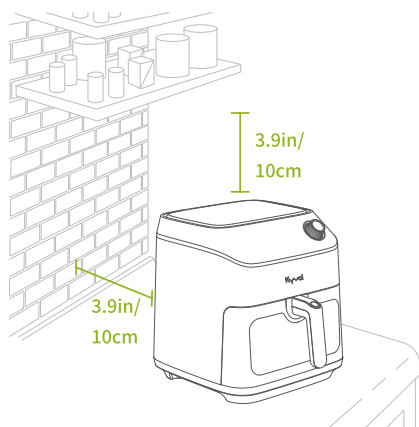
- 3 Place the **Crisper Plate** into the **Fryer Basket**, then push back the **Fryer Basket** into the air fryer.



- 4 Place the air fryer on a stable, level and heat-resistant surface. Keep it away from places that can be damaged by steam.

Note:

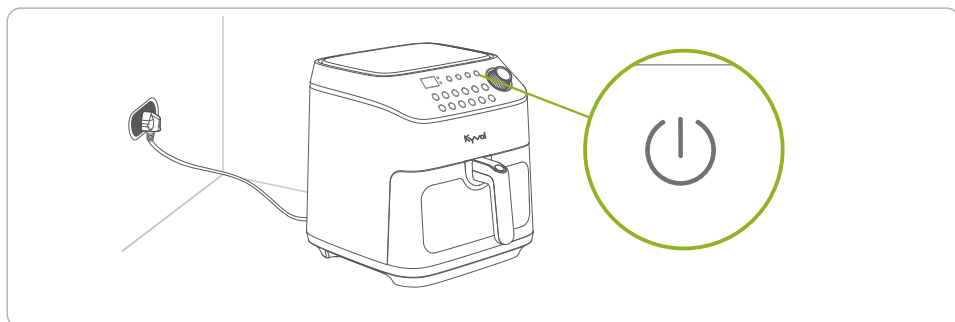
Leave at least 10cm of space behind and above the air fryer. Leave enough room for removing the basket.






USING YOUR AIR FRYER

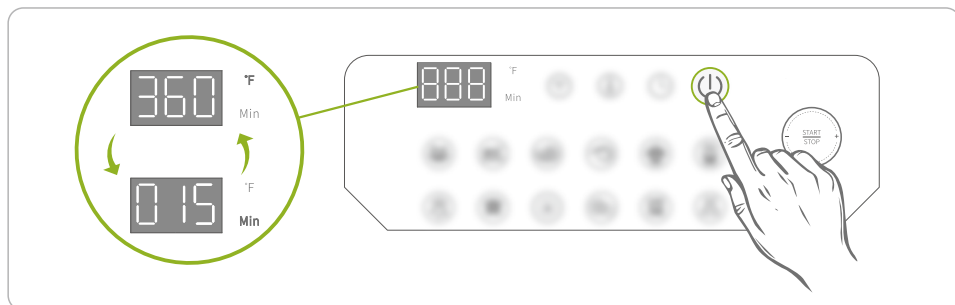
POWERING ON

Step 1: Plug the air fryer into an outlet, and you will hear a beep. The power button will light up at low brightness; while all the other button indicators will flash once, then be off.



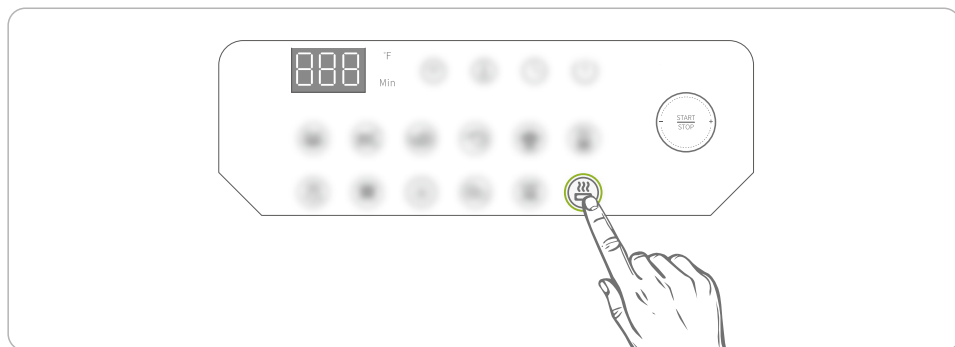
Step 2: Press the  button to turn on the air fryer.

- * The  icon will increase to high brightness.  and  icons will light up at high brightness, and the other button indicators will light up at low brightness.
- * The LED Display will show 360°F and 15 Min alternately every 3 seconds.



PREHEATING

Step 1: Press the Preheat button, and the indicator will start flashing.

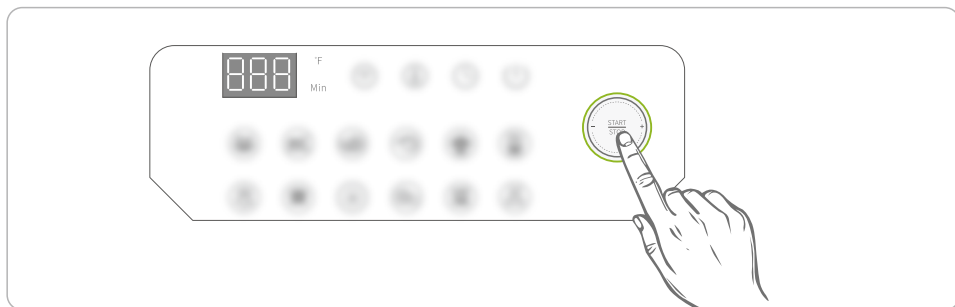


Step 2: The default preheat temperature is 400°F; the default preheat time is 5MIN. Customize the temperature and time according to your needs (see next sections).

Notes:

- * For the first use, we strongly recommend selecting the **Preheat** program to preheat your air fryer for 30 minutes in a vented space to remove strange odors.
- * For daily use, we recommend preheating your air fryer for 5-10 minutes before each cooking.

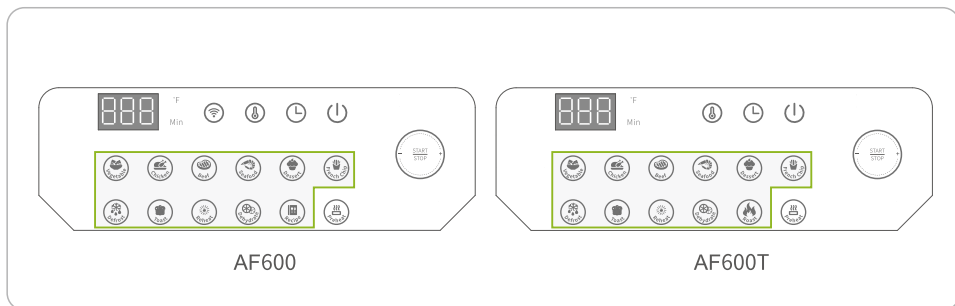
Step 3: Press the **Control Knob** to confirm your selection and start preheating, then the indicator light of **Preheat** will turn solid.



Step 4: When finishing preheating, the air fryer will beep 5 times and then enter standby mode.

SELECTING PROGRAMS

After preheating, you can select the program you want from **Vegetable/Chicken/Beef/Seafood/Dessert/French Chip/Defrost/Toast/Reheat/Dehydrate/Recipe**(for AF600) or **Roast**(for AF600T) and refer to the above steps for cooking.




Please refer to the following chart for the default temperature and time of the 12 preset programs.

Program	Default Temperature	Default Time
Vegetable	300°F	8MIN
Chicken	400°F	20MIN
Beef	360°F	20MIN
Seafood	370°F	6MIN
Dessert	300°F	20MIN
French Chip	380°F	15MIN
Defrost	150°F	10MIN
Toast	320°F	8MIN
Reheat	320°F	5MIN
Dehydrate	160°F	360MIN
Recipe/Roast	360°F	15MIN
Preheat	400°F	5MIN

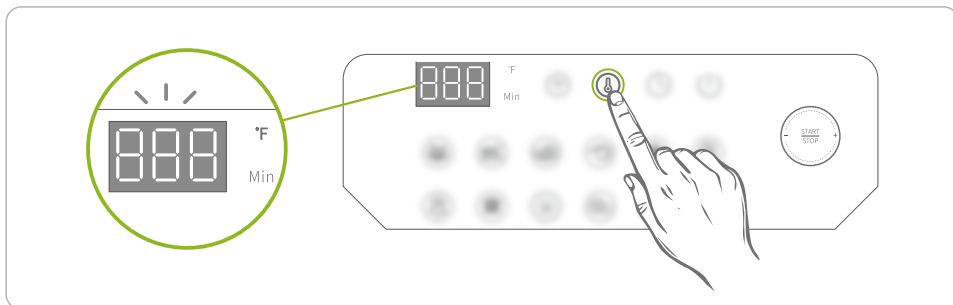
Tips:

1. The **Roast** button is for AF600T (without Wifi), and the **Recipe** button is for AF600 (with Wifi) .
2. After connecting the air fryer AF600 (with Wifi) to **Kyvol App**, you can pick a specific online recipe, then the default temperature and time will be changed accordingly.

SETTING TEMPERATURE

- 1 After powering on and selecting the program, tap  on the panel to start setting the temperature for cooking.

The temperature value on the LED Display will start flashing.




- 2 Rotate the **Control Knob** clockwise to increase the temperature.
Rotate the **Control Knob** counterclockwise to decrease the temperature.



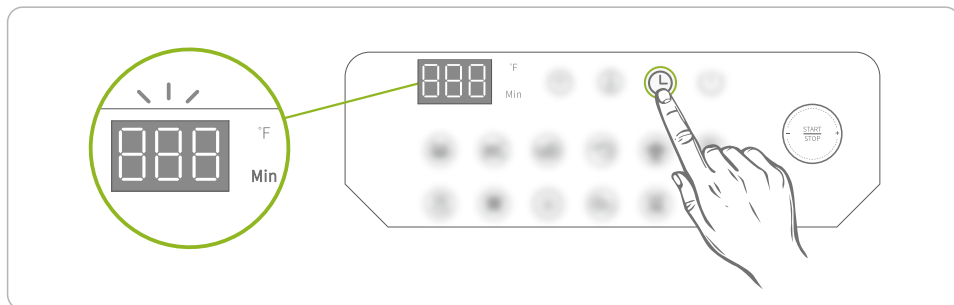
Tip:

Temperature can be adjusted in the range of 100-160°F (for **Dehydrate**) or 100°F-400°F (for other programs), being increased or decreased by 5°F for every rotation.

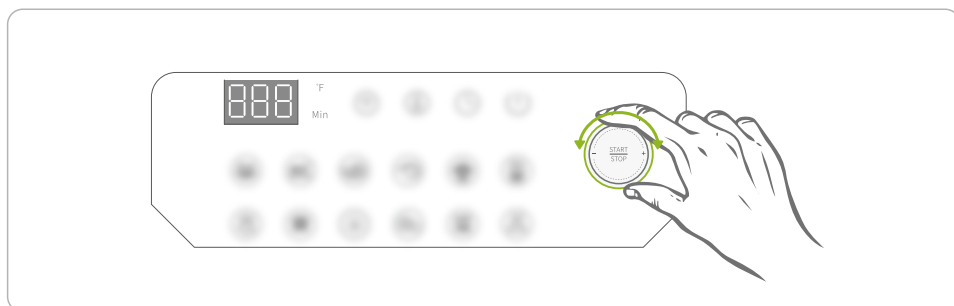
SETTING TIME

- 1 After powering on and selecting the program, tap  on the panel to start setting the time for cooking.

The time value on the LED Display will start flashing.



- 2 Rotate the **Control Knob** clockwise to increase the time.
Rotate the **Control Knob** counterclockwise to decrease the time.

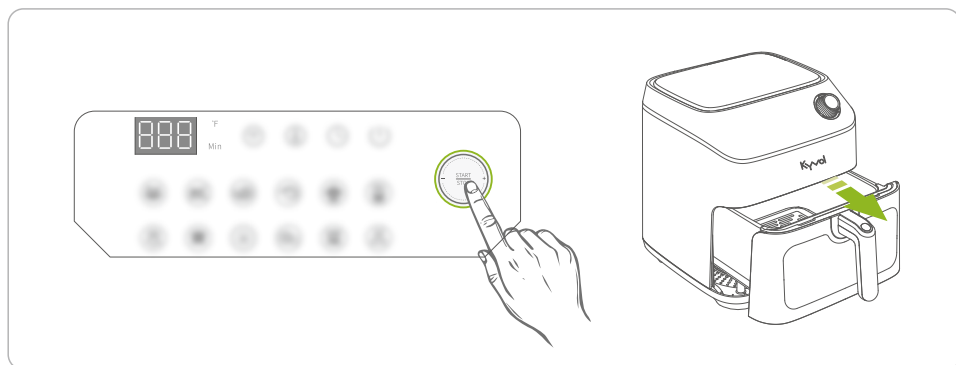


Tip:

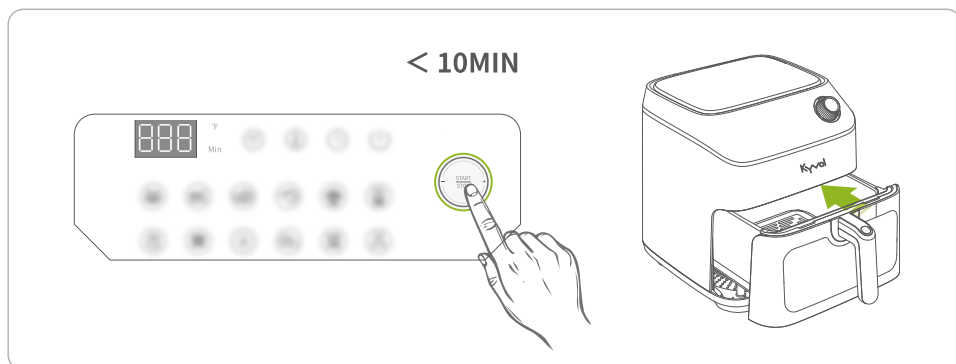
Time can be adjusted in the range of 1MIN-360MIN(for **Dehydrate**) or 1MIN-60MIN(for other programs), being increased or decreased by **1MIN** for every rotation.

PAUSING/RESUMING

To pause cooking, press the **Control Knob** on the **Control Panel**, or simply draw out the fryer basket at any time during cooking.






To resume cooking, press the **Control Knob** again within 10 minutes, or push the basket back into place within 10 minutes. The air fryer will continue to work with the same settings as before the pause.



POWERING OFF

• Option 1

When finishing cooking, the air fryer will beep 5 times and then enter standby mode. In standby mode, the ,  and  buttons will light up at high brightness, and other buttons will light up at low brightness.

After a period of time in standby mode without any operation, the air fryer will automatically power off.

- **Option 2**

You can also manually press the **Power On/Off** button to turn off the air fryer.

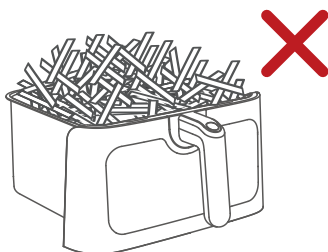


OVERHEAT PROTECTION

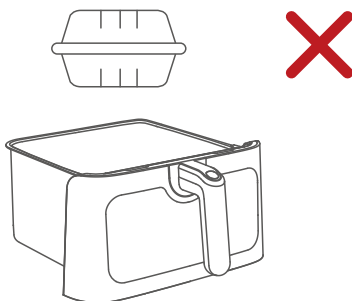
When the temperature of the air fryer reaches **428°F**, the thermal protector inside the air fryer will automatically power off and the fryer will stop working. Please contact our after-sales service in time.

COOKING TIPS

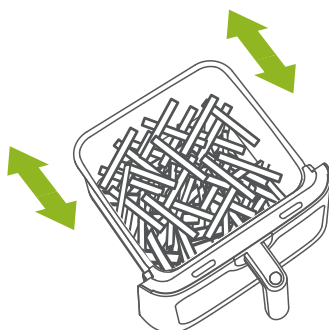
- 1 Ensure that the height of the food does not exceed the height of the fryer basket.



- 2 Do not put paper or plastic containers that are not heat-resistant into the air fryer.



- 3 It is recommended to check the food through the window during the cooking process and pull out the basket to shake the food if necessary.



- 4 For more tips and directions, check out the online recipes in **Kyvol App** for AF600(with Wifi); and download the recipes through the QR Code in the user manual for AF600T(without Wifi)!

OPERATING VIA KYVOL APP

! This operation is available for AF600(with Wifi) **ONLY**.

APP DOWNLOADING AND INSTALLATION

• Option 1:

Search for **Kyvol** from App Store™/Google Play™, then download and install it on your mobile device.

Note:

Google Play™ is a trademark of Google Inc., and App Store™ is a trademark of Apple Inc.

- **Option 2:**

Scan the QR codes below to download and install.



For iOS



For Android

APP REGISTRATION AND LOGIN

Launch **Kyvol APP**, register an account with your mobile phone number or a valid email address at your first use, then log in.

Note:

For a successful connection, please allow **Kyvol APP** to use your **WLAN & Cellular Data** when running it.

CONNECTION MODE

IMPORTANT:**For the air fryer:**

- Make sure the air fryer has been plugged into a socket and powered on.

For WiFi network:

- Before connecting, please turn on location service/GPS on your phone and grant all the permissions required by **Kyvol APP**.
- Make sure your mobile device is connected to a 2.4GHz WiFi.
- Make sure you've entered the correct WiFi name and password when connecting.
- Make sure the air fryer, your phone and your router are close enough when connecting.

 **WiFi Button Indicator**

Flashing	Ready for WiFi Connection
Solid	WiFi Connected

1. Auto Search

- 1 Long press the **WiFi Button** on the air fryer for about 3 seconds and release your finger until you hear a beep .
Make sure the WiFi button indicator is flashing.
- 2 Launch **Kyvol App**, and tap **Add Device**.
- 3 Tap **Air Fryer**, then select the model.
- 4 Tap **Next** on the **Auto Search** page.
- 5 Turn on the Bluetooth and location access on your mobile device.
- 6 Tap **Search**.
- 7 Select the device model and tap **Connect**.
- 8 Select WiFi and enter the correct password; tap **Confirm**.
- 9 Connecting
- 10 Connected. The WiFi button indicator will turn solid.

2. Add Manually

- 1 Long press the **WiFi Button** on the air fryer for about 3 seconds and release your finger until you hear a beep .
Make sure the WiFi button indicator is flashing.
- 2 Launch **Kyvol App**, and tap **Add Device**.
- 3 Tap **Air Fryer**, then select the model.
- 4 Tap **Add Manually**, then tap **Next**.
- 5 Select WiFi and enter the correct password.
- 6 Tap **Go to Settings**.
- 7 Tap **WLAN**.
- 8 Connect to the air fryer's AP hotspot **Kyvol-XXXX**.
- 9 Go back to **Kyvol APP** and tap **Next**.
- 10 Connecting.
- 11 Connected. The WiFi button indicator will turn solid.

QUICK RECIPE

Step 1: Launch **Kyvol App**, then tap **Recipes** to browse all the recipes.

Step 2: Select one of the recipes to enter the details page, and tap **Set as the Quick Recipe** to set it as a quick recipe.

Step 3: Press the **Recipe** button on the **Control Panel** of the air fryer, and the default temperature & time of the quick recipe you picked will be displayed promptly and automatically.

Step 4: Press the **Control Knob** to start cooking.

Note:

Only one recipe can be set as a quick recipe at a time.

COOKING COUNTDOWN TIMER

Step 1: Launch Kyvol App.

Step 2: Select a preset program from Vegetable/Chicken/Beef/Seafood/Dessert/French Chip/Defrost/Toast/Reheat/Dehydrate/Recipe/Preheat, or go to Recipes and select one of the recipes to enter the details page.

Step 3: Tap Timer.

Step 4: Set the countdown timer from 1MIN to 360MIN.

Step 5: Tap Confirm.

Step 6: It will automatically jump to the countdown page and start the countdown. When the time's up, the air fryer will start working automatically.

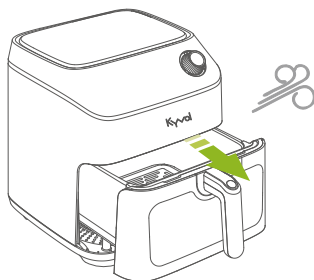
Tip:

During countdown, you can tap the temperature and time to customize them as needed; tap **Cancel** to cancel the timer; tap **Cook** to start cooking immediately.

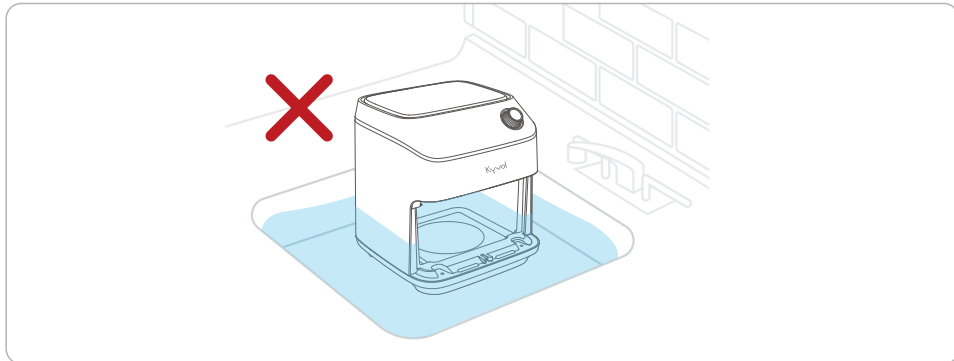
MAINTENANCE AND CARE

IMPORTANT:

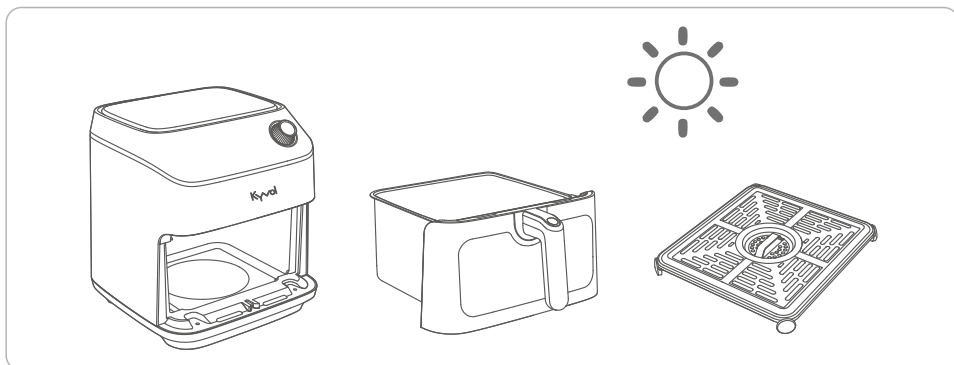
- 1 Before cleaning, unplug your air fryer and wait until it cools completely. You may draw out the fryer basket for faster cooling.



- 2 Do not immerse the whole air fryer in water or any other liquid.

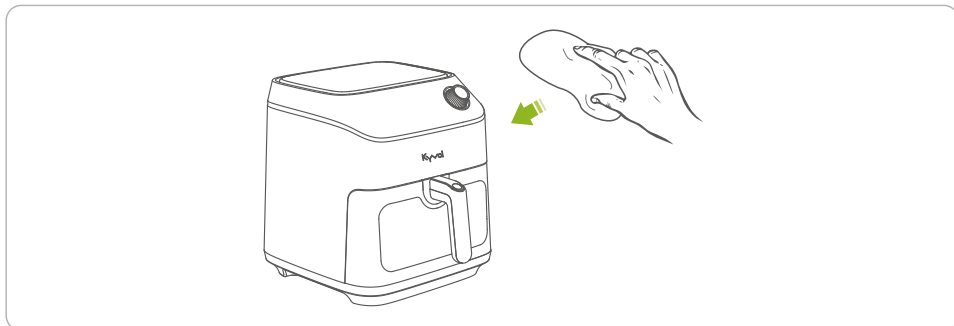


- 3 After cleaning, always remember to dry all the parts, especially the heating coil.



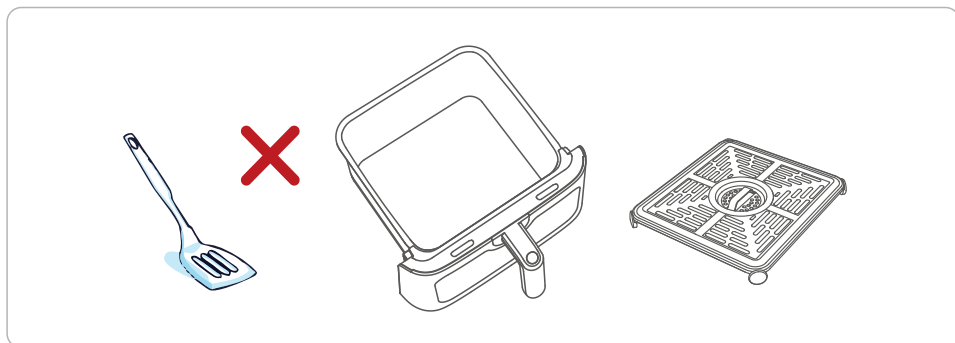
EXTERIOR

Use a clean and damp cloth to wipe the exterior of the air fryer.



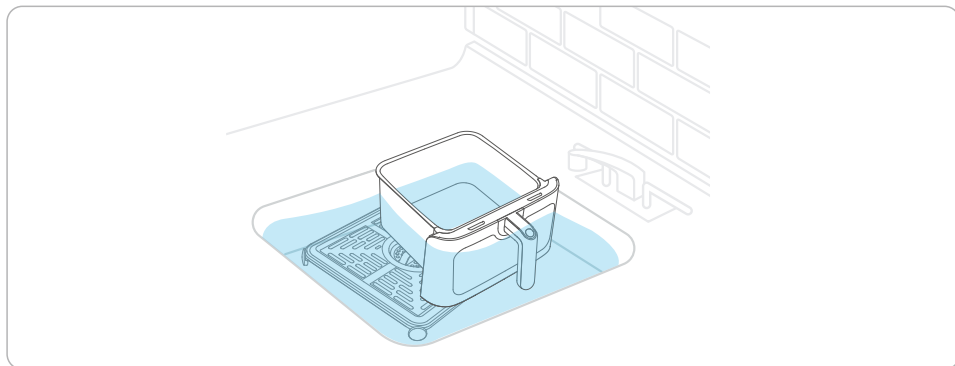
FRYER BASKET AND CRISPER PLATE

Dishwasher safe. Do not use metal utensils or abrasive cleaning materials to clean the nonstick coating.



STUBBORN FOOD RESIDUE

Clean the food residue stuck on the basket and the plate by soaking in warm and soapy water.



TROUBLESHOOTING GUIDE

Q1. The air fryer will not turn on.

- * Check if you have plugged in the air fryer.
- * Push the basket securely into the air fryer.

Q2. The LED Display does not show anything.

- * Check if you have plugged in the air fryer.
- * Check if you have powered on the air fryer.
- * Check if the LED display screen is broken.

Q3. Food is not completely cooked.

- * Check if you have put too much food on the **Crisper Plate**. The foods will be undercooked if the basket is overfilled.
- * Increase the cooking temperature or time.

Q4. The Fryer Basket cannot be pushed into the fryer securely.

- * Check if you have put too much food on the **Crisper Plate**. Make sure the height of the food does not exceed the height of the fryer.
- * Check if the edges of the air fryer are deformed. Contact us to deal with such issues.

Q5. White smoke comes out of the air fryer.

- * Cooking high-fat food will cause fat to drip to the bottom of the basket, which is normal. To avoid excess smoke while cooking, pour out fat drippings after every cooking and clean the air fry according to the instructions.

Q6. The LED Display shows E1.

- * There is open circuit of the temperature sensor. Contact us to deal with such issue.

Q7. The LED Display shows E2.

- * There is short circuit of the temperature sensor. Contact us to deal with such issue.

Q8. The LED Display shows E3.

- * The air fryer overheated. Draw out the air fryer and wait until it cools down. Contact us if issue like this occurs again.

Q9. How to remove the strange odor of the air fryer?

- * It is normal for the air fryer to have a strange odor when it is used for the first time. The material used in this fryer is non-toxic and harmless, and has passed the relevant food safety inspection.
- * When using the air fryer for the first time, please clean the air fryer first, then select the **Preheat** program to preheat the air fryer for at least 30 minutes to remove the strange odor.
- * If you are particularly sensitive to the odor, you can put orange peel, grapefruit peel or tea leaves into the **Fryer Basket**, then select the **Preheat** program to preheat the air fryer for at least 30 minutes to remove the strange odor.

Q10. Why cannot the air fryer connect to WiFi?

- * Before connecting, please turn on location service/GPS on your phone and grant all the permissions required by **Kyvol APP**.
- * Please check the network connection status before connection and make sure you have paid your network fee in time.
- * Make sure your mobile device is connected to a 2.4GHz WiFi. If your router is a dual-band router, please select the 2.4GHz network.
- * Make sure you've entered the correct WiFi name and password when connecting.
- * Avoid using an emoji or special characters or symbols in your WiFi name and password.
- * It is not recommended to use the public WiFi networks, such as the WiFi network of apartment complex, subway, airport, hotel.
- * Do not use VPN or proxy servers for your WiFi network.
- * When connecting, make sure the air fryer, your phone and your router are close enough.
- * This air fryer does not support networks requiring authentication via web pages.
- * This air fryer does not support routers with hidden WiFi names. The WiFi name must be visible and recognizable by the phone.
- * It is recommended to use a combination of English letters and numbers for the WiFi name and password, not to use special characters to avoid failures caused by different input methods.

Frequency range	2402-2472MHz
Transmit power(EIRP)	≤20dBm

FCC Caution(for AF600):

Any Changes or modifications not expressly approved by the party responsible for compliance could void the user's authority to operate the equipment.

This device complies with part 15 of the FCC Rules. Operation is subject to the following two conditions:

- (1) This device may not cause harmful interference, and
- (2) this device must accept any interference received, including interference that may cause undesired operation.

Note:

This equipment has been tested and found to comply with the limits for a Class B digital device, pursuant to part 15 of the FCC Rules. These limits are designed to provide reasonable protection against harmful interference in a residential installation. This equipment generates, uses and can radiate radio frequency energy and, if not installed and used in accordance with the instructions, may cause harmful interference to radio communications. However, there is no guarantee that interference will not occur in a particular installation. If this equipment does cause harmful interference to radio or television reception, which can be determined by turning the equipment off and on, the user is encouraged to try to correct the interference by one or more of the following measures:

- Reorient or relocate the receiving antenna.
- Increase the separation between the equipment and receiver.
- Connect the equipment into an outlet on a circuit different from that to which the receiver is connected.
- Consult the dealer or an experienced radio/TV technician for help.

This equipment complies with FCC radiation exposure limits set forth for an uncontrolled environment. This equipment should be installed and operated with minimum distance 20cm between the radiator & your body.

This transmitter must not be co-located or operating in conjunction with any other antenna or transmitter.

ISED Warning(for AF600):

This device complies with Industry Canada licence-exempt RSS standard(s). Operation is subject to the following two conditions:

- (1) this device may not cause interference, and
- (2) this device must accept any interference, including interference that may cause undesired operation of the device.

Le présent appareil est conforme aux CNR d'Industrie Canada applicables aux appareils radio exempts de licence. L'exploitation est autorisée aux deux conditions suivantes :

- (1) l'appareil ne doit pas produire de brouillage, et
- (2) l'utilisateur de l'appareil doit accepter tout brouillage radioélectrique subi, même si le brouillage est susceptible d'en compromettre le fonctionnement.

The device is compliance with RF exposure guidelines, users can obtain Canadian information on RF exposure and compliance. The minimum distance from body to use the device is 20cm.

L'appareil est conforme aux directives d'exposition aux RF, les utilisateurs peuvent obtenir des informations canadiennes sur l'exposition aux RF et la conformité. La distance minimale du corps pour utiliser l'appareil est de 20 cm.

CAUTION

 The symbol indicates AC voltage



RECYCLING

This product bears the selective sorting symbol for Waste electrical and electronic equipment (WEEE). This means that this product must be handled pursuant to European directive 2012/19/EU in order to be recycled or dismantled to minimize its impact on the environment. User has the choice to give his product to a competent recycling organization or to the retailer when he buys a new electrical or electronic equipment.

This product can be used across EU member states.

EU Compliance Statement: Shenzhen VanTop Technology & Innovation Co., Ltd. hereby declares that this device is in compliance with the essential requirements and other relevant provisions of the Directive 2014/53/EU.

A copy of the EU Declaration of Conformity is available online at <https://doc.vantop.com/>.



For indoor use only

CUSTOMER SUPPORT

North America: support@kyvol.com



[@kyvolglobal](https://www.facebook.com/kyvolglobal)



www.kyvol.com



[@kyvol_global](https://www.instagram.com/kyvol_global)