

SAMPSON BARREL FILTER HOUSING

Sampson™ Single & Double Barrel Filter Housings

2.5 & 5 GPM



Sampson™'s Single and Double Barrel filters housings are the filtration systems of the future.

The Single and Double-Barrel filter line is the new way to do hydrocarbon removal for in-situ applications because of their light weight and ease of manipulation compared to the standard carbon drum. Use the MAGNUM media cartridges to meet the requirements of your application.

Their unique light body design and ease of maintenance makes them ideal for on site applications or closed space environments and processes.

Features

- All the parts of this filter series are made of uPVC
- uPVC material has a good corrosion resistance
- Lightweight design and very easy to install
- The inlet and outlet are in line
- Cartridges are easy to install and replace
- The lid and the body are connected using flanges to ensure the housing can withstand higher pressure
- Can be installed vertically or horizontally
- Can be installed in series or parallel

Applications

- Oil/Water Separation
- Industrial Waste Water
- Food Waste Water
- Fuel Depots
- Compressor Condensate
- Garages
- Equipment Wash Down
- Carwash
- Remediation Sites
- Etc...

Type	Size	# of cartridges	In/Out	Drain	Max pressure	Flow
ER-89-000-001	12.40" Ø- 29.33" H	1	ANSI 3"	ANSI 1/2"	86 PSI	2.5 GPM
ER-89-000-002	12.40" Ø- 49.02" H	2	ANSI 3"	ANSI 1/2"	86 PSI	5 GPM

Note

- Compatible with ERE's MAGNUM UltraSorber™, UltraSorber Plus™ and SuperSorber™ media cartridges
- Max. operating temperature is 45°C
- Size of pressure gauge holes on cover is 1/4"



SAMPSON BARREL FILTER HOUSING

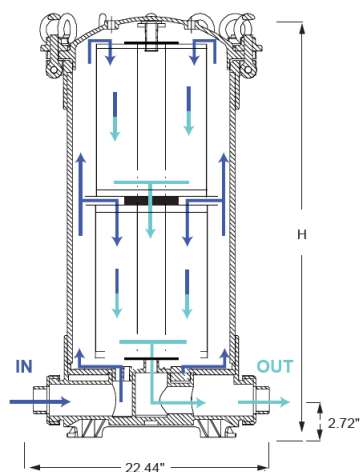
Cartridges

Part Number	Model	Description	Weight
ER-89-000-001-04	MAGNUM UltraSorber™ Cartridge Canisters	Contains: UltraSorber™ Media for Low to High Molecular Weight Contaminants and Color Removal	30 lbs
ER-89-000-001-05	MAGNUM UltraSorber Plus™ Cartridge Canisters	Contains: UltraSorber Plus™ Media for Dissolved MOG Removal and Low to High Molecular Weight Contaminants Removal	50 lbs
ER-89-000-001-06	MAGNUM SuperSorber™ Cartridge Canisters	Contains: SuperSorber™ Media for Total Petroleum Hydrocarbons (TPH), Oil and Grease and Soluble Hydrocarbons Removal	42 lbs

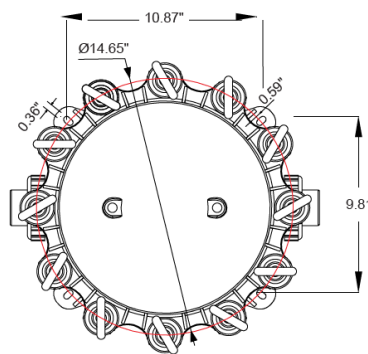


Accessories also available!

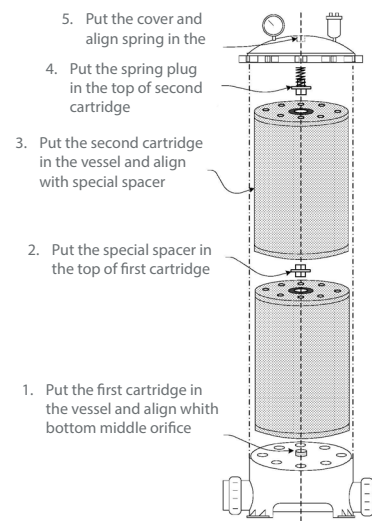
Part Number	Description
OBS-GO-0-030PP	0-30 PSI Pressure Gauge ¼" Connection
OBS-GO-0-060PP	0-60 PSI Pressure Gauge ¼" Connection
OBS-GO-0-100PP	0-100 PSI Pressure Gauge ¼" Connection
WA-FV-4M1-1/4	Automatic Air Vent ¼" Connection
ER-89-000-002-OR	O-ring for Lid on the Single or Double Barrel Housings
ER-89-000-002-OR	O-ring for In/Outlet on the Single or Double Barrel Housings
ER-89-000-002-RD	3" to 2" Reducer for In/Outlet



Water flow diagram



Plan drawing



Cartridge installation



What Is Your Filtration Application?

What contaminants are in your water?

What is your desired flow rate?

What are the conditions (flow, pressure, temperature) of the process?

