

USB Series

ASME Code Bag Housings Single through Six Round



- ASME "U" code designed housings for commercial and industrial filter applications
- Holds one (1) through six (6) #2 size bags to service a wide range of flow rates
- Heavy duty Carbon Steel, 304L or 316L Stainless Steel Construction for maximum durability
- 150 psig (10.3 bar) @ 300°F (149°C) design pressure
- Swing bolt closure with lifting davit for easy bag change-outs and secure sealing
- Low profile for easy bag change-outs
- Optional 134 epoxy coating for seawater or corrosive applications
- For information on filter bags or drawings, visit our website or contact the factory

Applications

Water	Chemicals
Food & Beverage	Electronics
Oil	Inks / Paints / Coatings
Coolants	Pulp & Paper

Specifications & Operating Parameters

Maximum Operating Pressure

150 psig (10.3 bar) @ 300°F (149°C)

Connections

Inlet /Outlet:

- 2" Flanges (USB)
- 3" Flanges (2USB)
- 4" Flanges (3USB, 4USB)
- 6" Flanges (5USB, 6USB)

Drain Port:

- 1/2" FNPT (USB)
- 3/4" FNPT (2USB-6USB)

Vent Port: 1/2" FNPT

Gauge Ports: 1/4" FNPT

Materials of Construction

Head / Shell: Carbon Steel, 304L or 316L Stainless Steel

Eye Nuts and Davit Handle: Zinc Plated Steel

Mounting Legs: Carbon Steel or 304L Stainless Steel

Gaskets

Buna N

Optional: EPR, Silicone, Teflon Encapsulated Silicone, Viton

Baskets

1/8" perforated Stainless Steel

Optional: Various perforation and mesh sizes

Finish

Glass Bead

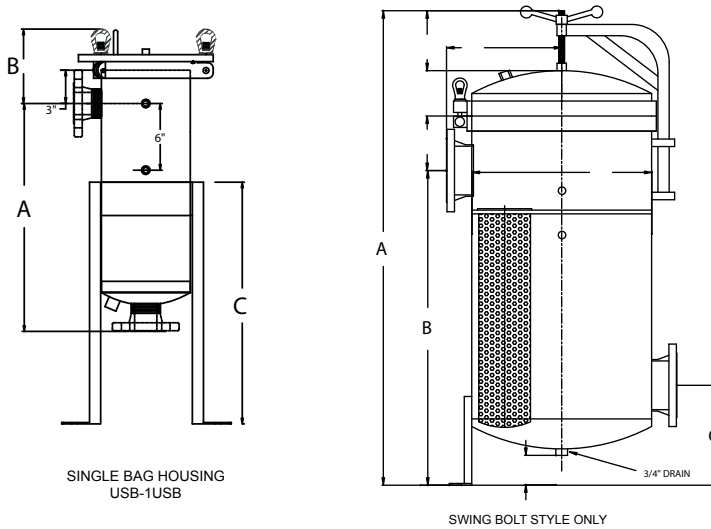
Optional: electro-polish, passivate or 134 epoxy coating

MODEL	CLOSURE	FLOW RATE* GPM(LPM)	INLET AND OUTLET SIZE	DIMENSIONS		
				A	B	C
USB-1SB	Swing Bolt	70 (268)	2"	20 1/2" (52.1 cm)	6 11/16" (17.0 cm)	21 3/4" (55.2 cm)
USB-2SB	Swing Bolt	150 (567)	2"	2 3/4" (92.7 cm)	6 11/16" (17.0 cm)	21 3/4" (55.2 cm)
2USB-2SB	Swing Bolt	350 (1325)	3"	49 9/16" (125.9)	39 1/8" (99.4)	10 1/2" (26.7)
3USB-2SB	Swing Bolt	525 (1987)	4"	52 7/8" (134.3)	41 1/16" (104.3)	10 3/4" (27.2)
4USB-2SB	Swing Bolt	700 (2650)	4"	61 1/4" (155.6)	40 1/2" (102.9)	11 1/4" (28.6)
5USB-2SB	Swing Bolt	700 (3312)	6"	63 1/2" (161.3)	42" (106.7)	13 3/8" (34.0)
6USB-2SB	Swing Bolt	1050 (3975)	6"	63 1/2" (161.3)	42" (106.7)	13 3/8" (34.0)

* Flow rates are for guide lines only. Actual flow rates are based upon fluid viscosity, bag type, micron rating and other factors.

Note: Dimensions are for reference purposes only. Detailed dimensional drawings are available. Please contact Shelco's technical support staff for additional information.

Dimensions



Ordering Guide (Example: 2USB-2SB-3-316B)

2USB – 2		SB – 3		316		B	P
MODEL	BAG SIZE	CLOSURE STYLE	FLANGE**	MATERIAL	GASKET	OPTIONS	
USB	1*	SB = Swing Bolt	2 = 2"	304 = 304L SS 316 = 316L SS CS = Carbon Steel	B = Buna N (Standard) E = EPR S = Silicone V = Viton T = Teflon Encapsulated Silicone	EP = Electro-polish P = Passivate 134 = 134 epoxy coating	
2USB	2		3 = 3"				
3USB			4 = 4"				
4USB			6 = 6"				
5USB							
6USB							

* Available only in USB Series

** Standard flange sizes are 2" for USB 3" for 2USB, 4" for 3USB and 4USB, 6" for 5USB and 6USB

Customization

Housings may be customized to meet your precise requirements. Contact Shelco's technical support staff or your distributor for more information.