

# HFE Series

High Flow Eco, Single Element Housing



- High Flow Eco Housings are designed for residential, commercial and light industrial filtration needs at an economic price and an exceptional value
- Heavy-duty 304L or 316L stainless steel construction for maximum durability and corrosion resistance
- V-band clamp closure for quick and easy cartridge change outs
- Holds one high flow series element for fast and easy push / pull installation
- O-ring seal on cartridge eliminates bypass
- Inside out flow retains contaminant during change out
- Stainless steel mounting tabs standard
- Optional 134W (NSF 61) or 135 coating for brackish or sea water applications

## Applications

Water	Desalination
RO Systems	Food & Beverage
Chemicals	Coolants
Electronics	Power
Sea Water	Waste Water

## Specifications & Operating Parameters

### Maximum Operating Pressure

150 psig (10.3 bar) @ 300°F (149°C)

### Connections

Inlet/Outlet: 1", 1.5" or 2" FNPT (2" Standard)

Optional: 1", 1.5" or 2" FBSPP

Drain Ports: ½" FNPT

Vent Ports: ¼" FNPT

### Finish

Exterior Surfaces: Glass Bead

Optional: Electro-polish, Passivate, 134W or 135 coating

### Custom Options

- Gauge Ports or Gauge Ports with Pressure Gauges

- Mounting Legs

See ordering guide for complete selection of options

### Materials of Construction

Head and Shell: 304L or 316L Stainless Steel

Connections: 304L or 316L Stainless Steel

Clamp Closure: 304L Stainless Steel

Vent and Drain Plugs: 304L or 316L Stainless Steel

Mounting Tabs: 304L Stainless Steel

### Gaskets

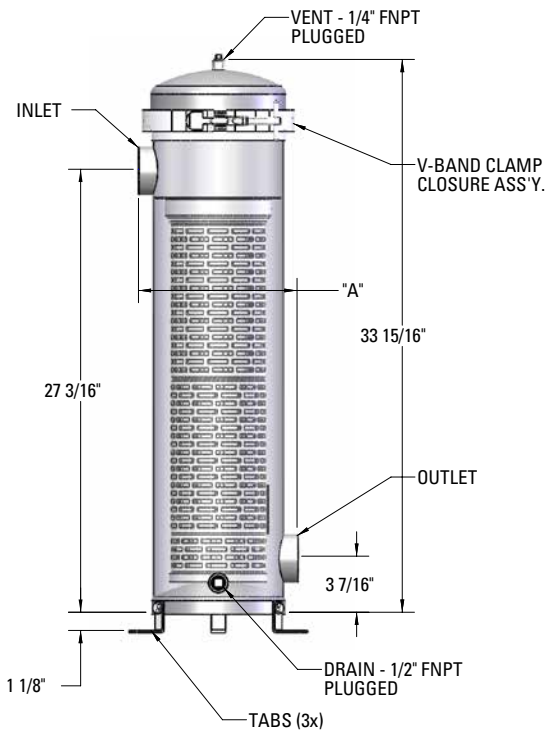
Standard: Buna N (FDA Grade)

Optional: EPR, Silicone or Viton

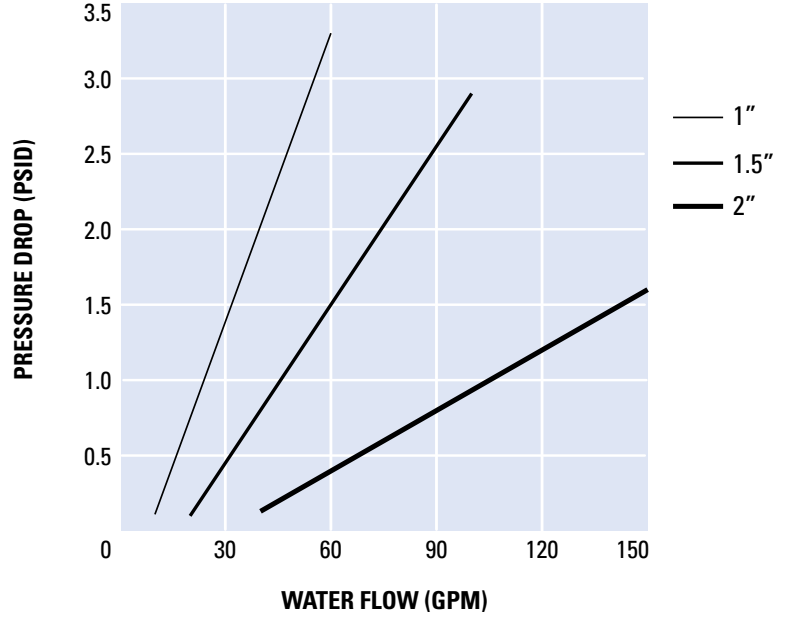
### Cartridge Type

HFEC – High Flow Eco cartridge, 6" Dia nom x 23" L,

Heavy duty exterior hard cage. (See HFEC data sheet for cartridge selection)



### Housing Flow vs. Pressure Drop



CONNECTION SIZE	1" FNPT	1 1/2" FNPT	2" FNPT
DIMENSION "A"	9 1/2"	9 5/8"	9 3/4"

### Ordering Guide (Example: HFE304-1.5FNPT-TABS-B-GB)

HFE	304	-	1.5	FNPT	-	TABS	-	B	-	GB
MODEL	MATERIAL		CONNECTION SIZE	CONNECTION TYPE		MOUNTING		GASKET		OPTIONS
HFE	304 = 304L 316 = 316L		1 1.5 2	FNPT = Female Couplings (Standard) FBSPP = BSP Parallel MNPT = Male Pipe Thread		TABS (Standard) ML = Mounding Legs		B = Buna N (Standard) E = EPR V = Viton S = Silicone		GB = Glass Bead (Standard) 134W = Coating (NSF 61) 135 = Coating EP = Electropolished P = Passivate

### Customization

Housings may be customized to meet your precise requirements. Contact Shelco's technical support staff or your distributor for more information.



### High Flow Eco Cartridges

Ask us about our compatible High Flow Eco Cartridges.