

MicroVantage™ HPI Series

High Purity Multi-Cartridge Industrial Filter Housings

MicroVantage Ultra Premium Filter Series



- 316L stainless steel construction with electro-polished finish for maximum durability and corrosion resistance
- Available with two closure options:
 - V-band clamp closure for quick and easy cartridge change outs
 - Swing Bolt closure for secure sealing
- Holds four through twenty one cartridges for optimal choice of flow rates
- Universal seat for either 222 flat/fin or double open-ended (DOE) style cartridges (226 style connectors are optional)
- Adjustable top plate accepts variable length cartridges
- Gauge Ports with stainless steel liquid pressure gauges (0-200 psi) provide easy monitoring for optimal system maintenance
- Raised Face Flanges for rugged connections
- Mounting legs provide secure installation

Applications

Water	Desalination
Chemicals	Food & Beverage
Electronics	Oil / Gas
Power	Inks / Paints / Coatings
Coolants	Pulp & Paper

Specifications

Maximum Operating Pressure

150 psig (10.3 bar) @ 300°F (149°C)

Connections

Inlet /Outlet: RF flange (Standard)

2" - 4HPI and 7HPI

3" - 12HPI

4" - 21HPI

Optional: Sanitary Ferrules

Drain Ports: 1/2" NPT

Optional: Sanitary Ferrules

Vent Ports: 1/4" NPT - 4HPI and 7HPI

1/2" NPT - 12HPI and 21HPI

Optional: Sanitary Ferrules

Materials of Construction

Head / Shell / Connections:

316L Stainless Steel Electro-polished

Closure:

Clamp – 304L Stainless Steel

Swing Bolts – Zinc Plated Steel

Gaskets

EPR (FDA Grade)

Optional: Buna, Silicone, Teflon Encapsulated Silicone, Viton

Cartridge Type

222 or DOE style cartridges

Optional: 226 adapters

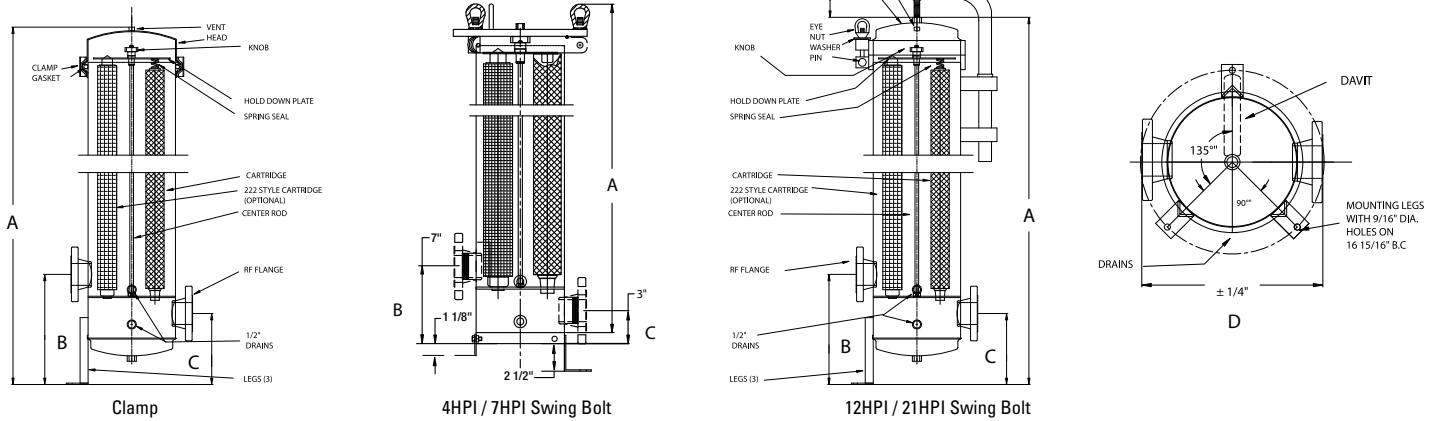
Custom Options

See Ordering Guide for complete listing

MODEL	QUANTITY (LENGTH) OF CARTRIDGES+	RATED FLOW CAPACITY* GPM(LPM)	MAXIMUM DIAMETER CARTRIDGE	CLAMP STYLE	SWING BOLT STYLE				
					A	B	C	D	E
4HP1	4 (10")	28 (106)	2 3/4"	20 7/8" (53.02 cm)	22 1/4" (56.3 cm)	7" (17.8 cm)	3" (7.6 cm)	12" (30.48 cm)	
4HP12	4 (20")	56 (212)	2 3/4"	30 7/8" (78.42 cm)	32 1/4" (81.9 cm)	7" (17.8 cm)	3" (7.6 cm)	12" (30.48 cm)	
4HP13	4 (30")	84 (318)	2 3/4"	40 7/8" (103.82 cm)	42 1/4" (107.3 cm)	7" (17.8 cm)	3" (7.6 cm)	12" (30.48 cm)	
4HP14	4 (40")	112 (424)	2 3/4"	50 7/8" (129.22 cm)	52 1/4" (132.7 cm)	7" (17.8 cm)	3" (7.6 cm)	12" (30.48 cm)	
7HP11	7 (10")	49 (185.5)	2 3/4"	20 1/2" (52.1 cm)	21" (53.3 cm)	8 1/16" (20.5 cm)	3 3/16" (8.4 cm)	14" (35.56 cm)	
7HP12	7 (20")	98 (371)	2 3/4"	30 1/2" (77.5 cm)	40 1/2" (102.9 cm)	8 1/16" (20.5 cm)	3 3/16" (8.4 cm)	14" (35.56 cm)	
7HP13	7 (30")	157 (594.3)	2 3/4"	49 1/2" (125.7 cm)	50 1/2" (15.4 cm)	8 1/16" (20.5 cm)	3 3/16" (8.4 cm)	14" (35.56 cm)	
7HP14	7 (40")	196 (741.9)	2 3/4"	59 1/2" (151.1 cm)	60 1/2" (153.7 cm)	8 1/16" (20.5 cm)	3 3/16" (8.4 cm)	14" (35.56 cm)	
12HP13	12 (30")	252 (954)	2 3/4"	49 1/2" (125.7 cm)	50 1/2" (15.4 cm)	15 3/8" (39.1 cm)	10" (25.4 cm)	16 11/16" (42.5 cm)	12" (20.3 cm)
12HP14	12 (40")	336 (1272)	2 3/4"	59 1/2" (151.1 cm)	60 1/2" (153.7 cm)	15 3/8" (39.1 cm)	10" (25.4 cm)	16 11/16" (42.5 cm)	12" (20.3 cm)
21HP13	21 (30")	462 (1749)	2 3/4"	50 3/16" (127.5 cm)	50 3/16" (127.5 cm)		9 1/2" (24.1 cm)	21" (53.3 cm)	12" (25.4 cm)
21HP14	21 (40")	616 (2332)	2 3/4"	60 3/16" (152.9 cm)	60 3/16" (127.5 cm)		9 1/2" (24.1 cm)	21" (53.3 cm)	12" (25.4 cm)

+ Housings will accept cartridge lengths: 10" = (9 3/4" or 10"), 20" = (19 1/2" or 20"), 30" = (29 1/4" or 30") and 40" = (39" or 40")
 * Based upon 7 gpm per 10" length with a 25 micron wound cartridge at 2 PSID clean and viscosity of 1 cps. Flow rates are for guidelines only. Actual flow rates are based on fluid, viscosity, cartridge type, micron ratings and other factors.

Dimensions



Ordering Guide (Example: 4HP13C-316-226-2F-EP-E-GPA)

MODEL	LENGTH OF CARTRIDGES*	CLOSURE STYLE	MATERIAL	CARTRIDGE CONFIGURATION	CONNECTION SIZE**	CONNECTION TYPE	FINISH	GASKET	OPTIONS
4HP1	1 = 1 High	C = Clamp	316 = 316L	Blank =	2	F = Flange (standard)	EP = Electro-polished (standard)	E = EPR (Standard)	GPA = Gauge ports with Gauges (standard)
7HP1	2 = 2 High	SB = Swing Bolt		Universal	3	TC = Ferrules		B = Buna N	
12HP1	3 = 3 High			Seat for 222	4			S = Silicone	
21HP1	4 = 4 High			FIN/Flat and DOE Style Cartridges	6			V = Viton	
				226 = 226 Style (Fin/Flat)				TS = Teflon Encapsulated Silicone	

*1 High and 2 High available only in 4HP1 and 7HP1 models

** 2" connections available only with 4HP1 and 7HP1 models. 3" connections are standard for 12HP1 models, 4" connections are standard for 21HP1.

Customization

Housings may be customized to meet your precise requirements. Contact Shelco's technical support staff or your distributor for more information.