



Smooth and Dependable High-Speed Microliter Centrifuge for Liquid Separation Applications

Frontier 5515 and 5515R microliter benchtop centrifuges provide high-speed operation for spin-down applications requiring a wide variety of tube volumes and capacities. With refrigeration capabilities (FC5515R), 10 acceleration/deceleration settings, multiple safety features, and an unmatched capacity, Frontier provides stable liquid separation for life science applications requiring high-speed operation.

Standard Features Include:

- **Easy-to-Use Control Panel that Supports Simple Operation**—The intuitive control panel with rotary knob puts the centrifuge's simple operations at your fingertips, including the ability to set and recall speed and g-force, as well as control the temperature (FC5515R only).
- **Sophisticated Technology that Drives High-Performance**—A powerful brushless induction motor, 10 acceleration and deceleration settings, and memory for up to 99 commonly-used parameters are a few of Frontier's features that propel high-performance.
- **Several Safety Features that Protect Against Injury**—Among Frontier's safety attributes are a motorized lid locking system and a rotor imbalance sensor that stops the centrifuge if the rotors become imbalanced or sudden shock occurs, protecting the operator from by the high-speed spinning rotors.
- **Seven Rotor Sizes that Provide Flexibility for Varied Centrifugation Needs**—Compatible with seven different rotors, more than any centrifuge in its class, the highly-versatile Frontier can be used for various applications of different volumes.

Frontier™ 5515 & 5515R High-speed Microliter Centrifuges

Easy-to-Use Control Panel

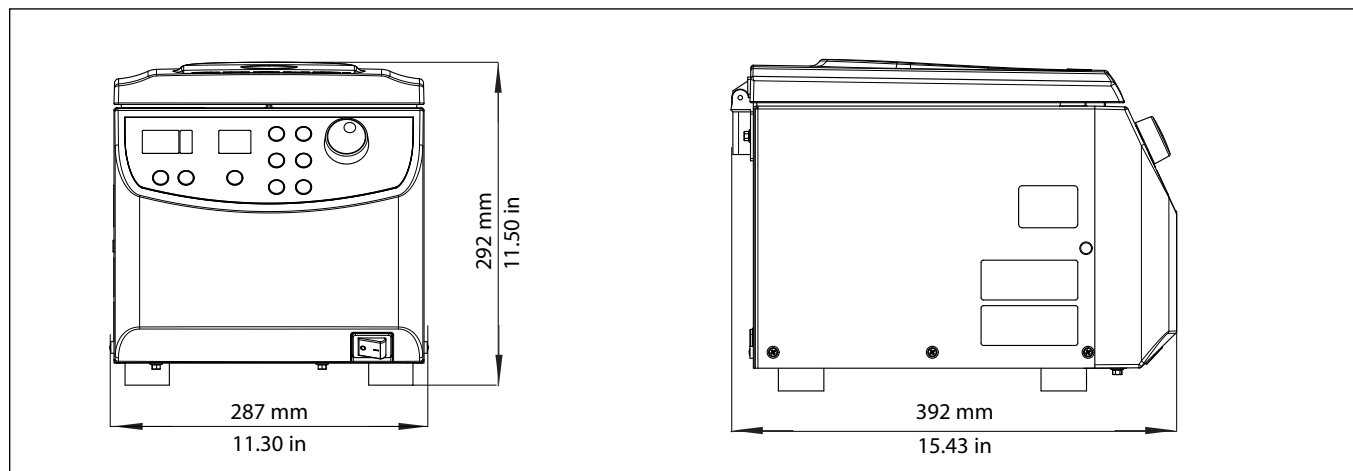
- Easy-to-turn rotary knob for parameter adjustments
- Waterproof keypad provides protection that helps significantly increase the lifespan of the product
- One-touch toggling between speed, g-force, and temperature controls (R model only)
- LCD display which projects information in real-time
- View and adjust user parameters from the main screen; no need to navigate through sub-screens



High-Performance Driven by Sophisticated Technology

- Powerful induction motor reaches speeds up to 15,200 RPM in less than 16 seconds
- Maximum g-force of 21,953 RCF
- 10 acceleration/deceleration settings
- 99 memory sets for commonly-used speed, time, and temperature settings (R Model Only)
- R models has refrigeration capabilities from 40° C to -20° C
 - Cools down from 23° C to 4° C in less than 10 minutes
 - Pre-cool feature quickly lowers the temperature of rotor and chamber before a run

Dimensions



Frontier 5515

Safety Features that Prevent Injury

- Motorized lid-locking system prevents centrifuge from opening during operation
- Rotor imbalance sensing system stops the motor should the rotors become imbalanced, protecting the user from spinning rotors

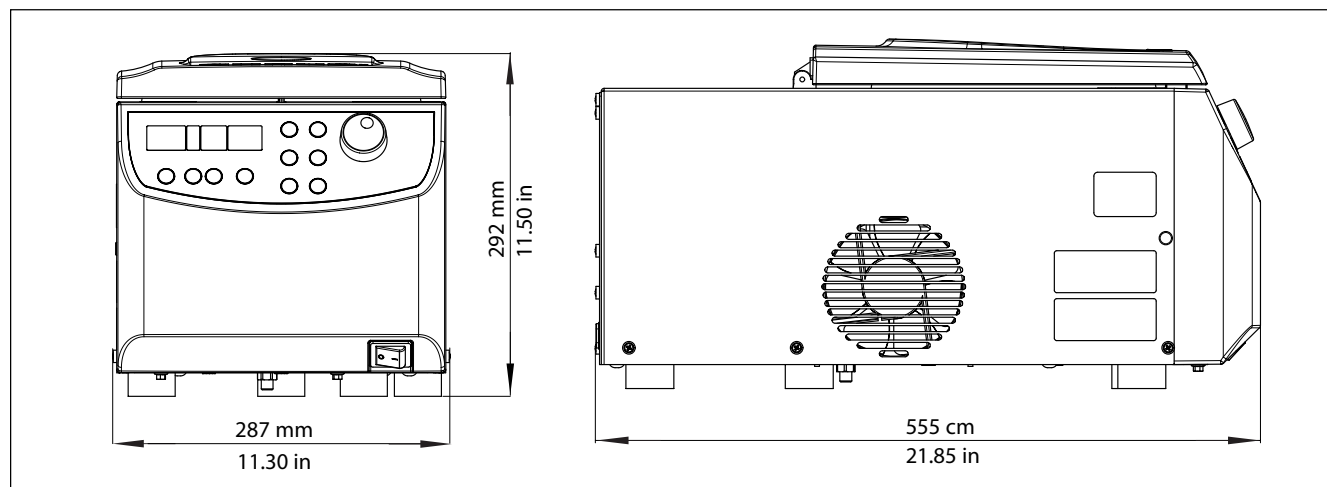


Flexibility for Varied Centrifugation Needs

- Maximum capacity of 44 × 1.5/2 mL and 12 × 5 mL tubes
- Only centrifuge in its class compatible with 6 rotors (7 rotors on 5515 model), including a PCR strip tube rotor
- The most economical centrifuge on the market to include a unique 5 mL tube rotor
- The signature snap-on rotor and lid locking system allows for quick installation of rotors with just one press of a button



Dimensions



Frontier 5515R

Frontier™ 5515 & 5515R High-speed Microliter Centrifuges

| Model | FC5515R | | FC5515 | |
|---------------------------------|--|------------------|--|----------------|
| Speed Range | 200 rpm - 15200 rpm; 10 rpm/set | | 200 rpm - 15200 rpm; 10 rpm/set | |
| Maximum RCF | 21953 × g; 10 × g/set | | 21953 × g; 10 × g/set | |
| Maximum Capacity (Rotor) | 44 × 1.5/2.0mL; 12 × 5mL | | 44 × 1.5/2.0mL; 12 × 5mL | |
| Temperature Range/Cooling | -20° to 40°C, 1°C/set | | Air cool | |
| Running Time | 10sec to 99hr 99min 59sec or continuous | | 10sec to 99hr 99min 59sec or continuous | |
| Noise Level (Varies by Rotor) | ≤ 57 + 2 dB(A) | | ≤ 60 + 2 dB(A) | |
| AC Power | 230 V/50 - 60 Hz | 120 V/50 - 60 Hz | 230 V/50-60 Hz | 120 V/50-60 Hz |
| Fluctuation | ± 10% | ± 10% | ± 10% | ± 10% |
| Current Consumption | 2.4 A | 5.1 A | 1.3 A | 2.3 A |
| Power Consumption | 500 W | 560 W | 270 W | 280 W |
| Dimensions (W × D × H) | 11.3 × 22.1 × 11.5 in/287 × 561 × 292 mm | | 11.3 × 15.5 × 11.5 in/287 × 393 × 292 mm | |
| Net Weight (Without Rotor) | 77 lb/35 kg | | 38 lb/17 kg | |
| Shipping Dimensions (W × D × H) | 15.7 × 26.0 × 20.5 in/400 × 660 × 520 mm | | 15.7 × 21.5 × 16.1 in/400 × 545 × 410 mm | |
| Shipping Weight (Without Rotor) | 97 lb/44 kg | | 44 lb/20 kg | |

Approvals

- **Product Safety:** EN 61010-1:2010, EN 61010-2-020:2006
- **Electromagnetic Compatibility:** EN 61326-1:2006, FCC Part 15 Class B

Frontier™ 5515 & 5515R Rotors and Adapters



Rotors and Adapters that Expand the Versatility of the Frontier FC5515 Series

A variety of rotors and tube adapters can be used in conjunction with the Frontier FC5515 Series, providing centrifugation for samples of various sizes

| |  |  |  | |
|---|---|--|---|---------------|
| Item | Angle Rotor, 24 × 1.5/2.0 mL | 0.5 mL Tube Adapter | 0.4/0.2 mL Tube Adapter | |
| Item Number | 30130870 | 30130885 | 30130884 | |
| Compatible Tubes | 1.5 mL and 2.0 mL | 0.5 mL | 0.4 mL | 0.2 mL |
| Maximum Number of Tubes | 24 | 24 | 24 | 24 |
| Max. RPM | 15200 rpm | 15200 rpm | 15200 rpm | |
| Max. RCF | 21953 × g | 19112 × g | 21178 × g | 17562 × g |
| Radius | 3.35 in/85 mm | 2.91 in/74 mm | 3.23 in/82 mm | 2.68 in/68 mm |
| Type | Angle Rotor ∠45 | — | | |
| Lid/Lid Material/Rotor Material | Snap-on/PEI ² /Aluminium | — | | |
| Lowest refrigerated temperature in FC5515R ¹ | +5 °C | | | |

Frontier™ 5515 & 5515R Rotors and Adapters


| | | | | |
|---|---|--|---|---------------|
| |  |  |  | |
| Item | Angle Rotor, 24 × 1.5/2.0 mL, Biocontainment | 0.5 mL Tube Adapter | 0.4/0.2 mL Tube Adapter | |
| Item Number | 30130871 | 30130885 | 30130884 | |
| Compatible Tubes | 1.5 mL and 2.0 mL | 0.5 mL | 0.4 mL | 0.2 mL |
| Maximum Number of Tubes | 24 | 24 | 24 | 24 |
| Max. RPM | 15200 rpm | 15200 rpm | 15200 rpm | |
| Max. RCF | 21953 × g | 19112 × g | 21178 × g | 17562 × g |
| Radius | 3.35 in/85 mm | 2.91 in/74 mm | 3.23 in/82 mm | 2.68 in/68 mm |
| Type | Angle Rotor ∠45 | — | | |
| Lid/Lid Material/Rotor Material | Aerosol Tight/Aluminium/Aluminium | — | | |
| Lowest refrigerated temperature in FC5515R ¹ | +5°C | | | |

| | | | | |
|---|---|--|---|---------------|
| |  |  |  | |
| Item | Angle Rotor, 30 × 1.5/2.0 mL, Biocontainment | 0.5 mL Tube Adapter | 0.4/0.2 mL Tube Adapter | |
| Item Number | 30130872 | 30130885 | 30130884 | |
| Compatible Tubes | 1.5 mL and 2.0 mL | 0.5 mL | 0.4 mL | 0.2 mL |
| Maximum Number of Tubes | 30 | 30 | 30 | 30 |
| Max. RPM | 13500 rpm | 13500 rpm | 13500 rpm | |
| Max. RCF | 19150 × g | 17113 × g | 18539 × g | 15687 × g |
| Radius | 3.70 in/94 mm | 3.31 in/84 mm | 3.58 in/91 mm | 3.03 in/77 mm |
| Type | Angle Rotor ∠45 | — | | |
| Lid/Lid Material/Rotor Material | Aerosol Tight/PC ³ /Aluminium | — | | |
| Lowest refrigerated temperature in FC5515R ¹ | +6 °C | | | |

| | | | | |
|---|---|--|---|------------------------------|
| |  |  |  | |
| Item | Angle Rotor, 44 × 1.5/2.0 mL | 0.5 mL Tube Adapter | 0.4/0.2 mL Tube Adapter | |
| Item Number | 30130879 | 30130885 | 30130884 | |
| Compatible Tubes | 1.5 mL and 2.0 mL | 0.5 mL | 0.4 mL | 0.2 mL |
| Maximum Number of Tubes | 44 | 44 | 44 | 44 |
| Max. RPM | 13500 rpm | 13500 rpm | 13500 rpm | |
| Max. RCF | 17113 × g / 17317 × g | 14872 × g / 15687 × g | 16705 × g / 16909 × g | 13446 × g / 14872 × g |
| Radius | 3.30 in/84mm 3.34 in/85mm | 2.87 in/73mm 3.03 in/77mm | 3.22 in/82mm 3.26 in/83mm | 2.59 in/66mm 2.87 in/73mm |
| Type | Angle Rotor ∠32/55 | — | | |
| Lid/Lid Material/Rotor Material | Snap-on/PP ⁴ /Aluminium | — | | |
| Lowest refrigerated temperature in FC5515R ¹ | +6 °C | | | |

| | | | | |
|---|---|--|---|---|
| |  |  |  |  |
| Item | Angle rotor, 12 × 5 mL, biocontainment | 1.5 mL/2.0 mL Tube Adapter | 1.8 mL Cryo Tube Adapter | 1.0 mL Cryo Tube Adapter |
| Item Number | 30130873 | 30130886 | 30130888 | 30130887 |
| Compatible Tubes | 5.0 mL | 1.5 mL/2.0 mL | 1.8 mL | 1.0 mL |
| Maximum Number of Tubes | 12 | 12 | 12 | 12 |
| Max. RPM | 14500 rpm | 14500 rpm | 14500 rpm | 14500 rpm |
| Max. RCF | 19978 × g | 16687 × g | 17627 × g | 16217 × g |
| Radius | 3.35 in/85 mm | 2.80 in/71 mm | 2.80 in/61 mm | 2.72 in/69 mm |
| Type | Angle Rotor ∠45 | — | | |
| Lid/Lid Material/Rotor Material | Aerosol Tight/Aluminium/Aluminium | — | | |
| Lowest refrigerated temperature in FC5515R ¹ | +4 °C | | | |

Frontier™ 5515 & 5515R Rotors and Adapters

| | |
|---|---|
| |  |
| Item | Angle rotor, 4 x 8-Place PCR Stripes |
| Item Number | 30130874 |
| Compatible Tubes | 0.2 mL PCR 8-strips |
| Maximum Number of Tubes | 4 x 8-place strips |
| Max. RPM | 15000 rpm |
| Max. RCF | 15342 x g |
| Radius | 2.40 in/61 mm |
| Type | Angle Rotor ∠45 |
| Lid/Lid Material/Rotor Material | Screw/PC ³ /PP ⁴ |
| Lowest refrigerated temperature in FC5515R ¹ | +5°C |

| | |
|---------------------------------|---|
| |  |
| Item | Hematocrit rotor, 24 x Capillaries |
| Item Number | 30130881 |
| Compatible Tubes | Capillaries |
| Maximum Number of Tubes | 24 |
| Max. RPM | 12000 rpm |
| Max. RCF | 14970 x g |
| Radius | 3.66 in/93 mm |
| Type | Angle Rotor ∠90 |
| Lid/Lid Material/Rotor Material | Snap-on/Aluminium/Aluminium |

Notes:

1. At room temperature of 23 °C. This is the lowest attainable temperature at which the pre-cooled, refrigerated centrifuge spins at maximum speed with a full load. Lower temperatures can be attained by reducing the speed, number of samples or room temperature.
2. PEI: Polyetherimide
3. PC: Polycarbonate
4. PP: Polypropylene



ERE INC
 8605 rue Champ d'Eau
 St. Leonard QC, H1P 3B8
 Canada
 Tel: (514) 326-8852
 Fax: (514) 326-8961
www.ereinc.com
The management system governing the manufacture of this product is ISO 9001:2015 certified