

CSF Series

Single Cartridge Filter Housings with Ring Nut Closure for SOE Cartridges



Environmental
Remediation Equipment Inc.



- Designed for industrial and commercial filter applications
- Heavy duty construction for maximum durability
- 316L Stainless Steel construction with cast head and electro-polished sump suitable for a wide range of process requirements
- Accepts 222 or 226 connector cartridges with Fin or Flat ends
- Available with 3/4", and 1" in-line connections for easy installation
- Ring nut closure for quick cartridge change outs
- Equipped with mounting bracket kit and wrench
- Numerous gasket options for compatibility with most fluids

Applications

Water	Chemicals
Food & Beverage	Electronics
Oil	Inks / Paints / Coatings
Coolants	Pulp & Paper

Specifications & Operating Parameters

Maximum Operating Pressure

300 psig (20.7 bar) @ 200°F (93°C)

Connections

Inlet /Outlet: 3/4" or 1" FNPT

*Optional: BSPT, BSPP, RF Flanges, Sanitary Ferrules
or Grooved Fittings*

Drain Port: 1/4" NPT Plug

Materials of Construction

Head / Shell: 316L Stainless Steel

Gaskets

Buna N

Optional : EPR, Silicone, Viton

Options

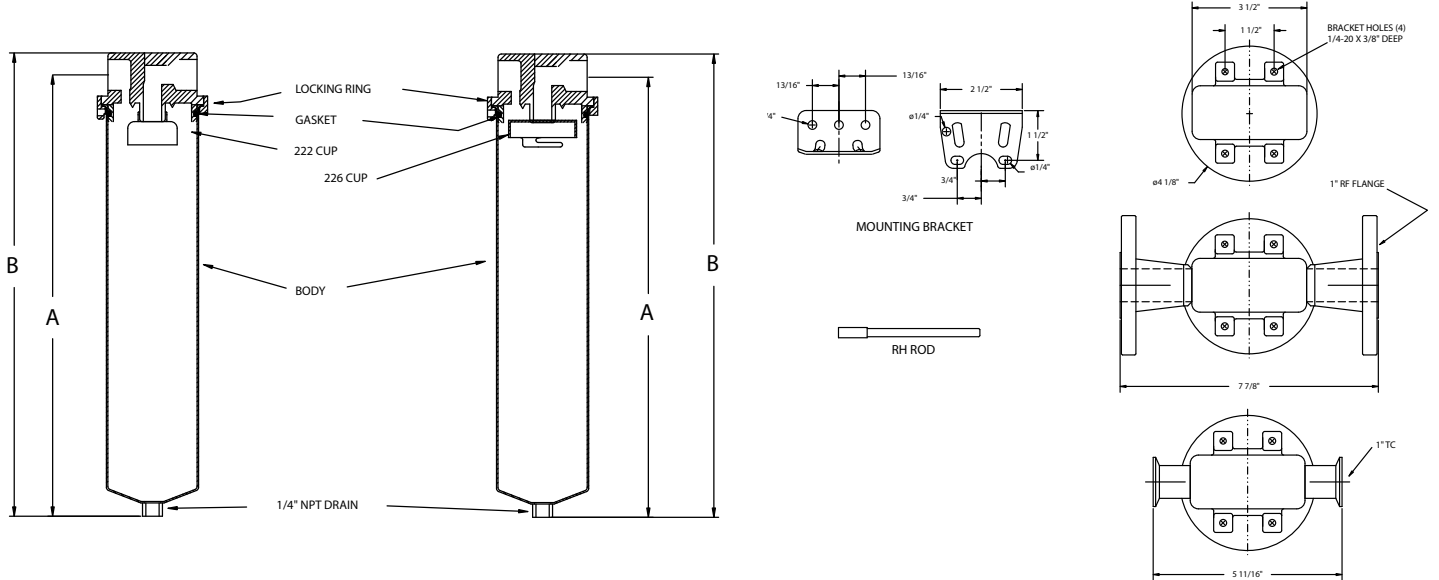
- Gauge Ports
- Vent Port with Vent Screw

See Ordering Guide for complete selection of options

MODEL	QUANTITY (LENGTH) OF CARTRIDGES	MAXIMUM FLOW RATE* GPM (LPM)	MAXIMUM DIAMETER CARTRIDGE	DRAIN SIZE	DIMENSIONS	
					A	B
CSF-78	1 (9 3/4-10")	7 (26.5)	2 3/4"	1/4"	16 9/16" (42.1 cm)	17 7/16" (44.3 cm)
CSF-80	1 (19 1/2 - 20")	14 (53)	2 3/4"	1/4"	26 9/16" (67.5 cm)	27 7/16" (69.7 cm)
CSF-90	1 (30")	21(79.5)	2 3/4"	1/4"	36 9/16" (92.9 cm)	37 7/16" (95.1 cm)

* Based upon 7 gpm (26.5 lpm) per 10" cartridge length with a 25 micron wound cartridge at 2 PSID clean and a viscosity of 1 cps. Flow rates are guidelines only. Actual flow rates are based upon fluid, viscosity, cartridge type, micron ratings and other factors.

Dimensions



Ordering Guide (Example: CSF-786-222-GP4-B)

CSF	78	6	-	222	-	GP4	-	B
MODEL	CARTRIDGE LENGTH	PIPE SIZE FNPT		CARTRIDGE STYLE		OPTIONS		GASKET
CSF	78 = 10" 80 = 20" 90 = 30"	6 = 3/4" 8 = 1"		222 = 222 cup 226 = 226 cup with locking rings		Blank = None BSP = BSP thread 1F = 1" Flange+ 1TC = 1" Ferrules+ GP4* = 1/4" Gauge Ports Vent* = Vent Screw		B = Buna N (Standard) E = EPR S = Silicone V = Viton

* When specifying vents or gauge ports, the location must be identified as I= Inlet, O = Outlet and I/O = Inlet and Outlet (Example: GP4I/O)
+ Maximum pressure rating for rf flanges and sanitary ferrules is 150 psi (10.3 bar)

Customization

Housings may be customized to meet your precise requirements. Contact Shelco's technical support staff or your distributor for more information.