

BF Series

Single Bag Housings: #1, #2, #3 and #4 sizes



- Designed for industrial and commercial filter applications
- Heavy duty construction for maximum durability
- 1/8" perforated stainless steel basket (optional perforations and mesh sizes available)
- #1 and #2 Size Housings:
 - Available in 316L Stainless Steel, 304L Stainless Steel or Carbon Steel construction for a wide range of chemical compatibility
 - Clamp or Swing Bolt closures
 - Stainless steel compression spring provides positive bag sealing
 - Adjustable stainless steel leg assembly
 - 1/4" FNPT gauge ports and 1/2" FNPT drain port
- #3 and #4 Size Housings:
 - 316 Stainless Steel construction
 - Clamp closure for easy bag change outs
 - Optional compression spring and adjustable mounting legs

Applications

Water	Chemicals
Food & Beverage	Electronics
Oil	Inks / Paints / Coatings
Coolants	Pulp & Paper

Specifications & Operating Parameters

Maximum Operating Pressure

150 psig (10.3 bar) @ 300°F (149°C)

Connections

Inlet /Outlet:

2" FNPT (#1 and #2 Sizes)

3/4", 1" and 1 1/2" FNPT (#3 and #4 Sizes)

Optional: RF Flanges or Sanitary Ferrules

Drain Port: 1/2" FNPT (#1 and #2 Sizes)

Gauge Ports: 1/4" FNPT - clean and dirty sides (#1 and #2 sizes)

Vent Port: 1/4" NPT Plug

Gaskets

Buna N

Optional: EPR, Silicone, Teflon Encapsulated Silicone, Viton

Baskets

1/8" perforated stainless steel

Options: various perforation and mesh sizes

Materials of Construction

Head / Shell:

#1 and #2 Sizes

316L Stainless Steel, 304L Stainless Steel, Carbon Steel

#3 and #4 Sizes

316L Stainless Steel

Eye Nuts: Zinc plated steel

Mounting Legs: 304L Stainless Steel

Options

- Side Inlet / Side Outlet (#1 and #2 sizes)

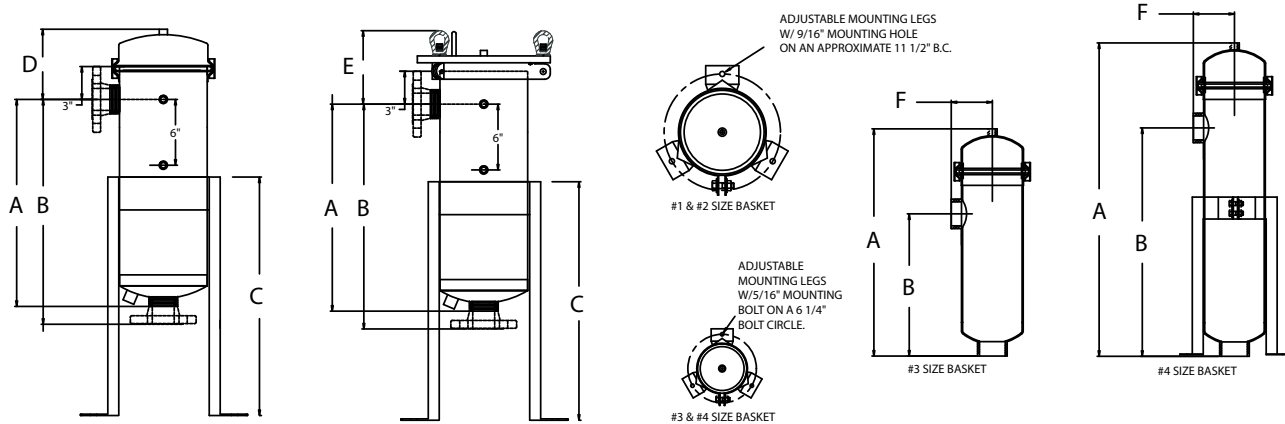
- 134 epoxy coating for seawater and corrosive applications

See ordering guide for complete selection of options

MODEL AND BAG SIZE	CLOSURE	MAX FLOW RATE* GPM (LPM)	DRAIN SIZE	DIMENSIONS					
				A	B	C	D	E	F
BFS-1 / BFC-1	Clamp or Swing Bolt	70 (265)	1/2"	18 7/8" (47.9 cm)	20 1/2" (52.1 cm)	21 3/4" (55.2 cm)	3" (7.6 cm)	6 11/16" (17.0 cm)	3" (7.6 cm)
BFS-2 / BFC-2	Clamp or Swing Bolt	150 (567)	1/2"	34 7/8" (88.6 cm)	22 3/4" (92.7 cm)	21 3/4" (55.2 cm)	3" (7.6 cm)	6 11/16" (17.0 cm)	3" (7.6 cm)
BFS-3	Clamp	25 (95)		16 9/16" (42.1 cm)	10 3/8" (26.4 cm)				
BFS-4	Clamp	40 (151)		22 7/8" (58.1 cm)	16 11/16" (42.4 cm)				

*Flow rates are guidelines only. Actual flow rates are based upon fluid, viscosity, bag type, micron ratings and other factors

Dimensions



Ordering Guide (Example: BFS-2SB-2-316-B)

BFS - 2		SB - 2		- 316 -		B	
MODEL	BAG SIZE	CLOSURE	PIPE SIZE	MATERIAL	CONNECTION ORIENTATION	GASKET	
#1 and #2 Sizes							
BFS = Stainless Steel BFC = Carbon Steel	1 2	C = Clamp SB = Swing Bolt	2 = 2" FNPT (standard) 2F = 2" RF Flange 3 = 3" FNPT 3F = 3" RF Flange 2TC = 2" Sanitary Ferrules	304 = 304 SS 316 = 316 SS 134 = 134 Coating over 304 SS*	Blank = Side In / Bottom Out 2 = Side In / Side Out	B = Buna N (Standard) E = EPR S = Silicone V = Viton	
#3 and #4 Sizes							
BFS = Stainless Steel	3 4	C = Clamp	75 = 3/4" FNPT 1 = 1" RF Flange 1.5 = 1 1/2" FNPT (standard)	316 = 316 SS	Blank = Side In / Bottom Out 2 = Side In / Side Out (Hold Down Spring Recommended)	B = Buna N (Standard) E = EPR S = Silicone V = Viton	

* Note: 134 Coating must have swing bolt closure and flanged connections.

Customization

Housings may be customized to meet your precise requirements. Contact Shelco's technical support staff or your distributor for more information.