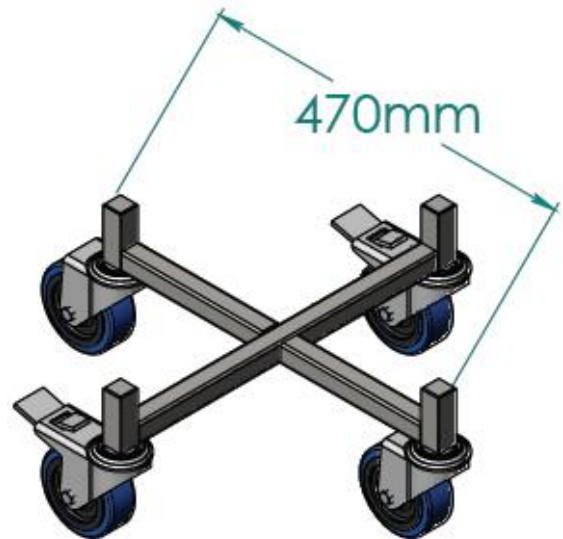
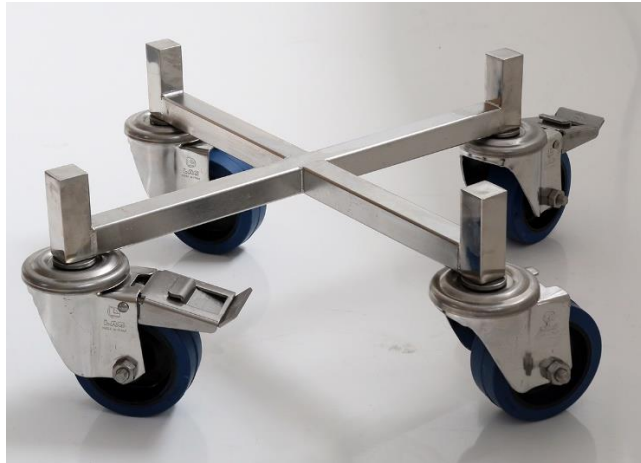


| | | | |
|---|--------------------------------|----------------------|----------|
|  | <h1>Product Specification</h1> | Specification Number | A384-420 |
| | | Revision | 01 |

Part No. A384-420

Description Drum Trolley (for drums up to 420mm diameter)

Material of Construction: Frame: 304 stainless steel
Wheel Mounts: 304 stainless steel
Wheels: Polyamide



Method of Construction: Frame - welded

Surface Finish: Brush finish

Max. Frame Width: 470mm

Deck Height 135mm

Nominal Weight: 6.8kg

Notes:

- All four wheels are able to swivel
- Two wheels are fitted with brakes

| | | |
|----------------------------|--|--|
| Specification Approved By: | Signature:  | Name: Kuldeep Flora Position: Quality Manager Date: 9-Jul-19 |
| Page 1 of 1 | Sampling Systems Ltd. 4-5 Forge Mills Park, Station Road, Coleshill. Warwickshire. B46 1JH. UK. Tel: +44(0)1675 466992 Email: info@sampling.com Web: www.sampling.com | |