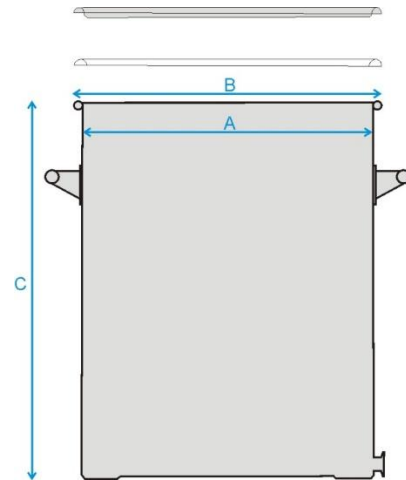


1. Part Number: A196-200

2. Photograph:



3. Product Information:

Description

Stainless Storage Drum 200L with 1" Ferrule

Materials of Construction:

- Body: 316L stainless steel
- Ferrule: 316L stainless steel
- Lid: 316L stainless steel
- Clamp: 304 stainless steel
- Handles: 304 stainless steel
- Gasket: Silicone (FDA 177.2600 and USP Class VI compliant)

Nominal Volume:

200 Litres

Method of Construction:

Welds ground and polished

Surface Finish:

Better than 0.5 microns Ra

Dimensions

A = 570 mm
B = 593 mm
C = 800 mm

Graduation Marks:

None

Ferrule:

1" (to standard BS4825-3)

Ferrule location

25mm from base to underside of ferrule

Handles:

2 side handles welded onto patch plates

Weight:

20.3 Kg (body + gasket + lid + clamp)

BSE/TSE statement:

All polishing compounds used in the manufacture of this product are of vegetable origin

Recommended Storage Conditions:

Dry and ambient temperature

Note: This product should be thoroughly cleaned before it is used for the first time

4. Approval:

Signed:



Name: Kuldeep Flora

Position: Quality Manager

Date: 2-Mar-22



Sampling Systems Ltd.

4-5 Forge Mills Park, Coleshill, Warwickshire, B46 1JH, UK.
Tel: +44(0)1675 466992 Email: info@sampling.com Web: www.sampling.com