

7800/8200 Series Mortise Locks Multi-function Lockbody Options 04, 05, 06, 13, 31, 36, 37, 38

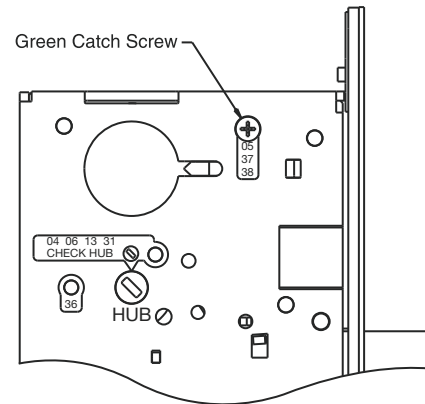
How to Change Function of Lock:

One green catch screw must be located in following three (3) locations as designated on lock case to create desired function:

- 05, 37 and 38 functions
- 04, 06, 13 and 31 functions
- 36 functions

Note
When moving green catch screw to 04, 06, 13 and 31 functions, hub position must be at 45° as shown on lockcase.

*See How to Change Hand of Lock, page 6



Items needed to create following functions:

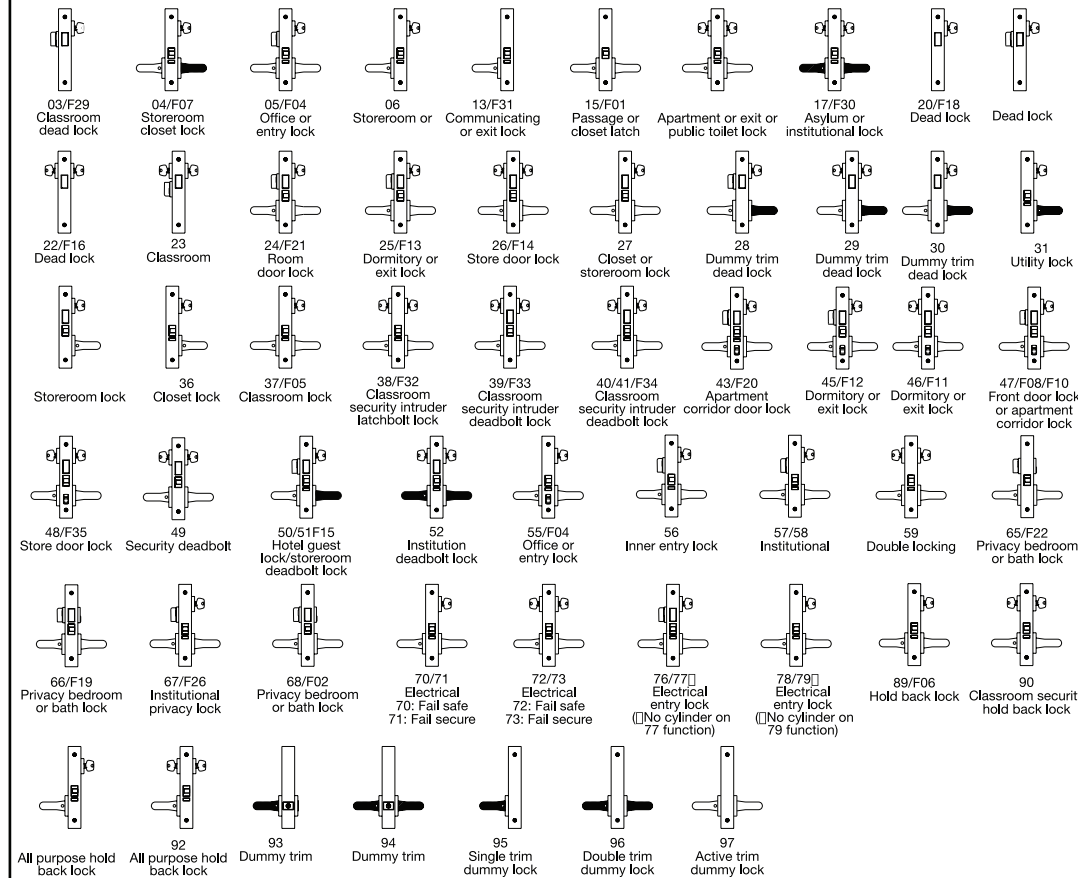
Function	Outside Lever	Inside Lever	Trim One Side Kit	Outside Cylinder	Inside Cylinder	Thumb Turn
04	X	X	—	X	—	—
05	X	X	—	X	—	X***
06	—	X	X	X	—	—
13	—	X	X	—	—	—
31	—	X	X	X	—	—
36	—	X	X	X	—	—
37	X	X	—	X	—	—
38	X	X	—	X	X	—

*** 130 KB thumb turn is used with rose trim only, escutcheon trims requiring thumb turns, must be preassembled at factory.

#41 Cylinder is standard for both single and double cylinder functions for 1-3/4" thick door.

Note
Trim-one-side functions always require an inside trim assembly which can be used inside or outside of door (to order Trim-one-side kit (for all trim except PT or FE) order part #82-4611.

SARGENT 8200 Series Mortise Locks Function List



Note

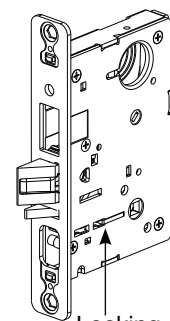
Shaded levers are rigid at all times.
05 Function has thumb turn inside of door and 55 Function has toggle on lock front.

How To Change Hand of Lock

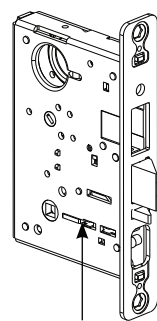
- Red surface of locking piece must face locked side of door.
 - Position lockbody with red surface of locking piece visible.
 - Insert blade type screwdriver into locking piece slot to rotate locking piece.
 - Push locking piece toward back of lockbody and rotate 180° until red surface shows on opposite side.

Note

- For 04, 06, 13, 17 and 31 functions:
- Remove green catch screw.
 - Rotate hub to 45° position.
 - Rotate locking piece for required hand.
 - Face red surface to locked side of door.
 - Rotate hub to original 45° position (as shown on lockcase).
 - Reinstall green catch screw.

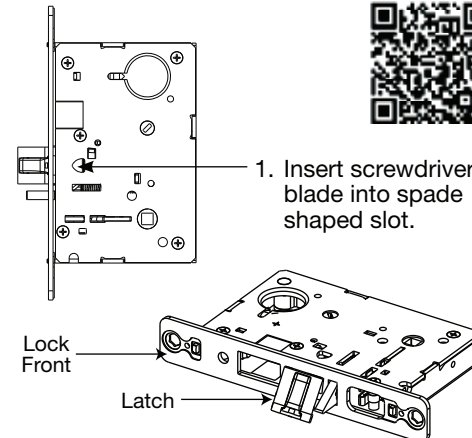


Locking Piece Slot



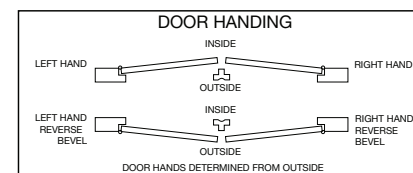
Red color indicates locked side of door or hold back side (91 and 92 functions)

Beveled surface of latch must face strike. Deadlatch is self adjusting. To change hand of latch:



Note

Latch can not be unscrewed.



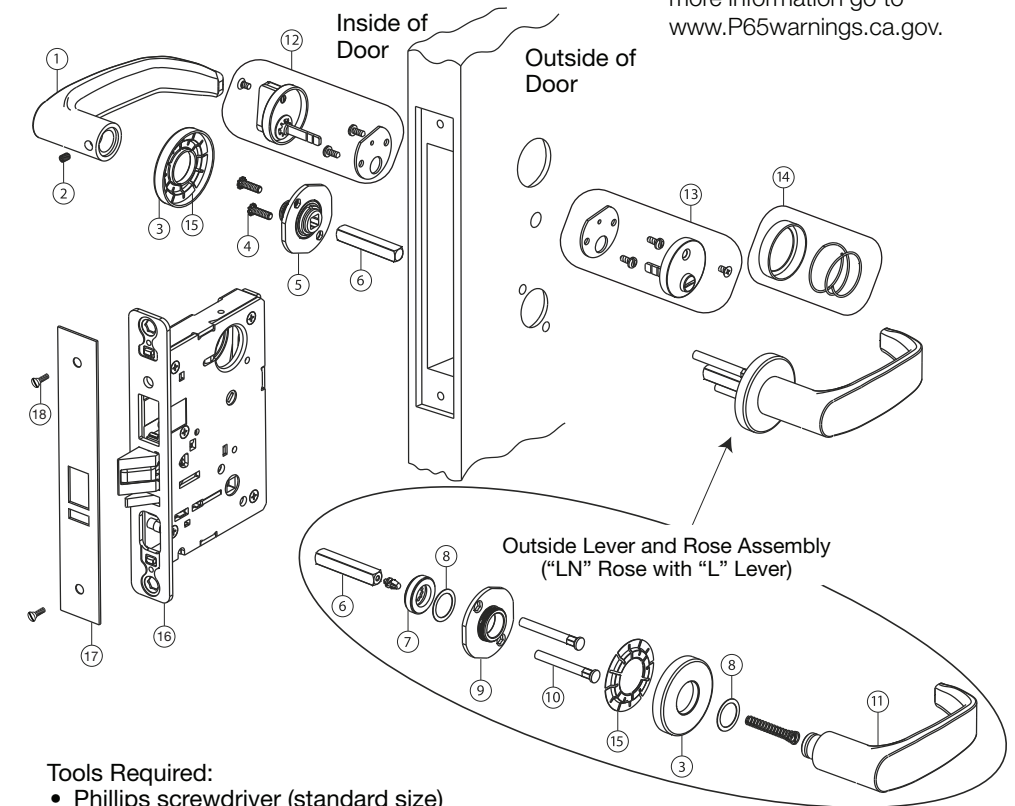
Installation Instructions 7800 Series Knobs/8200 Series Lever Mortise Locks

Standard 7800/8200 Series Mortise Locks Sectional Trim Description and Part Number

To view QR Code video clips within this document, download a free mobile app and scan QR Code with your mobile device.

WARNING

This product can expose you to lead which is known to the state of California to cause cancer and birth defects or other reproductive harm. For more information go to www.P65warnings.ca.gov.



Tools Required:

- Phillips screwdriver (standard size)
- 1/8" Allen wrench
- Phillips and flat tip screwdriver

Installation for levers and knobs is identical

	Part No.	Description	Req.
1	Varies	Inside lever handle – consult factory	1
2	-----	Handle set screw 1/4-28 UNF	1
3	81-0093	Rose – “LN” design	2
4	01-1495	Machine screw #8-32 x 5/8"	2
5	82-3088	Inside adapter and plate assembly	1
6	82-0368	Spindle	2
7	82-0184	Cap nut	1
8	01-0079	Washer	2
9	82-3082	Adapter and plate assembly (LN design)	1
10	81-0723	Mounting post	2
11	-----	Outside lever handle – consult factory	1
12	77-3279	Turn lever assembly – 130KB design	1
13	77-2595	Emergency button assembly – 184KB	1
14	77-0509	KB cylinder rosette (for 8200)	—
15	82-0612	Non-loosening wave spring	2
16	Varies	Lockbody	1
17	Varies	Outside front	1
18	01-102	Machine Screw #8-32 x 1/4"	2

Installation Instructions for 7800/8200 Series Mortise Locks (Except PT Trim and FE Trim)
See trim section to identify specific lock.

1. Important – check template 7057 to prep door for function holes, size and location. Verify strike location according to template. Clean door pocket and verify hand of lock.

2. Slide lock in door.
3. Slide outside lever and rose assembly (or lever and escutcheon assembly) through door and lockbody.

Note

- Keep door open while installing lock.
- If installing trim one side, see separate instruction sheet.

4. Slide cylinder (A) through spring (B) and collar (C) (or escutcheon). Thread into lock until cylinder face is flush with collar (C) (or escutcheon) edge. Key slightly pulled out of cylinder will help thread cylinder.

Note
SARGENT logo must be horizontal and on top portion of cylinder.

5. Tighten cylinder clamp screw by hand with #2 Phillips screwdriver.

6. Secure lock in door with two (2) wood screws #12 x 1-1/4" or machine screws #12-24 x 1/2" (D).

7. Slide spindle (E) into lockbody hub.

8. Slide adapter and plate assembly (F) over spindle and secure with two (2) #8-32 screws (G).

Note
R/C and I/C cylinder cores require control key (stamped "C") to install. Must request separately. 1-bitted cylinders utilize a control key bitted 113511.

9. Screw rose (J) firmly onto adapter and plate assembly (F) (or attach escutcheon).

10. Attach inside lever and secure with 1/8" Allen wrench. Verify lock is operating correctly prior to closing door.

11. Assemble thumbturn/emergency release according to instructions on bag.

12. Check for proper operation.

13. Attach outside front (H) with two (2) #8-32 x 1/4" flat head screws (I).

Note
Check for proper lock operation by function number (ex.: 8205=05 function). See 7800/8200 Series catalog (www.sargentlock.com).

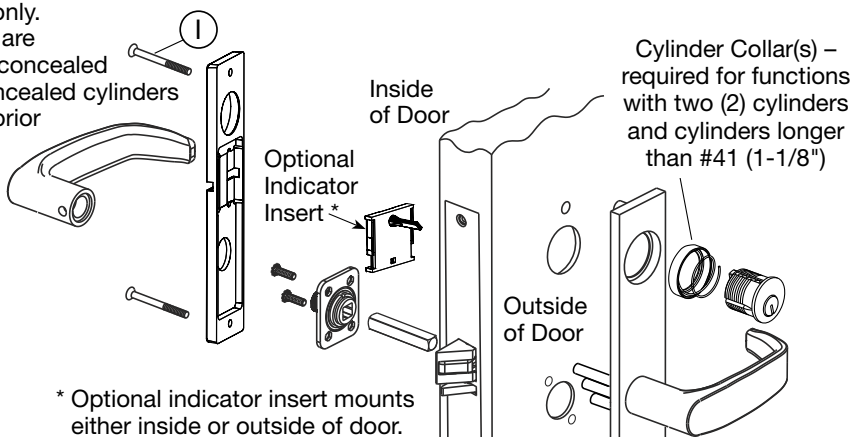
TE, CE, LE1, KE1, LE3, KE3, LW1 and KW1 Escutcheon Installation

Optional Indicator Insert Installation:

1. Mount outside escutcheon and inside mounting plate per standard instructions.
2. If applicable, mount indicator insert on inside or outside of door by inserting spindle into mortise hub and continue with standard installation of inside escutcheon.

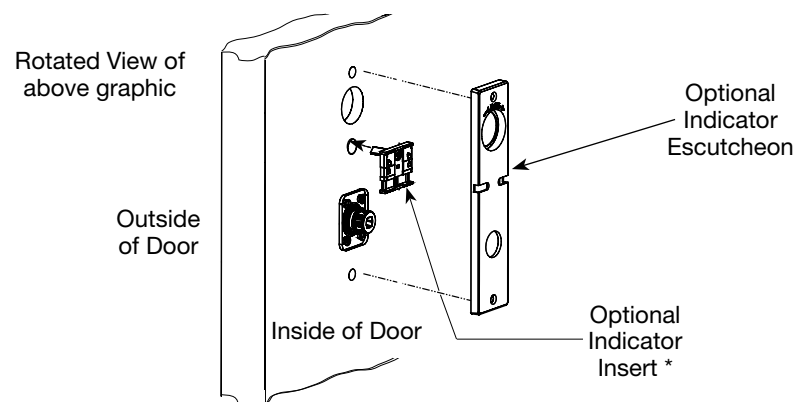
Notes

- Optional indicator insert available for LE1/KE1 only.
- LE3 and KE3 are designed for concealed cylinders; concealed cylinders are installed prior to attaching escutcheons.



Through-bolt inside escutcheon to outside escutcheon with two (2) #8-32 x 1-7/8" screws (I).

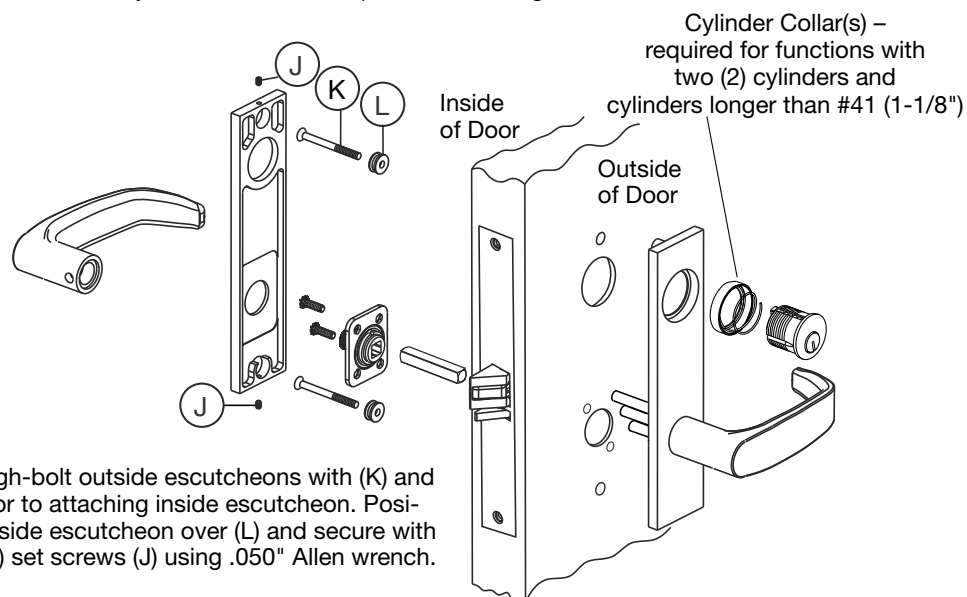
Note
Make sure screw heads are visible on inside escutcheon.



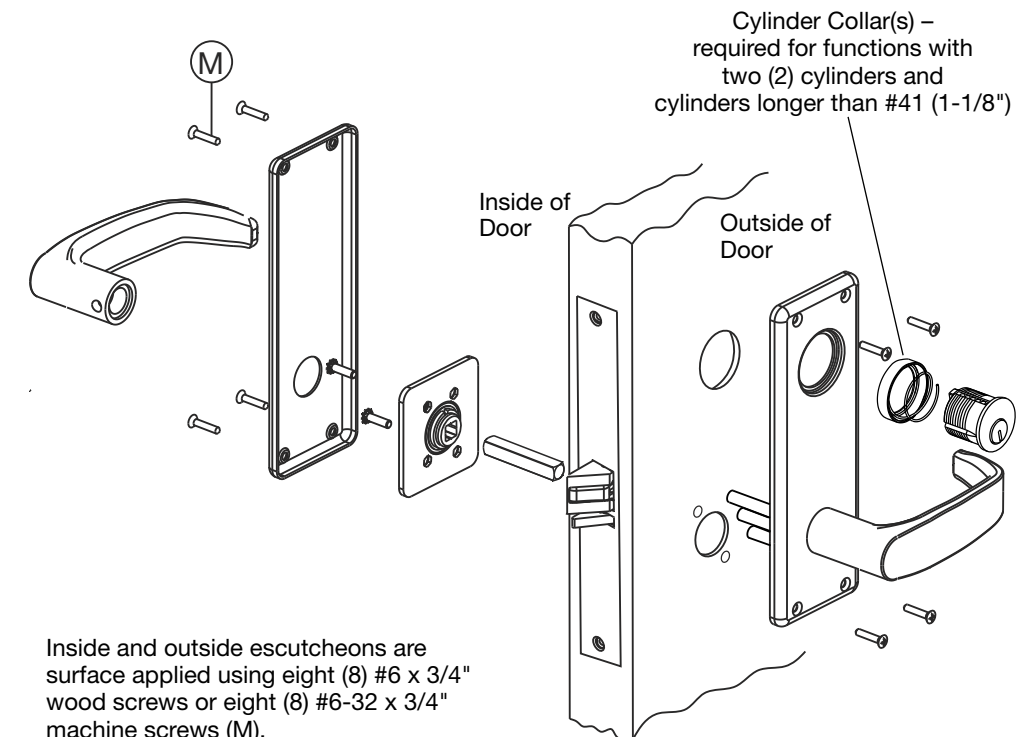
LE2, LE4, KE2 and KE4 Escutcheon Installation

Note

LE4 and KE4 are designed for concealed cylinders; concealed cylinders are installed prior to attaching escutcheons.

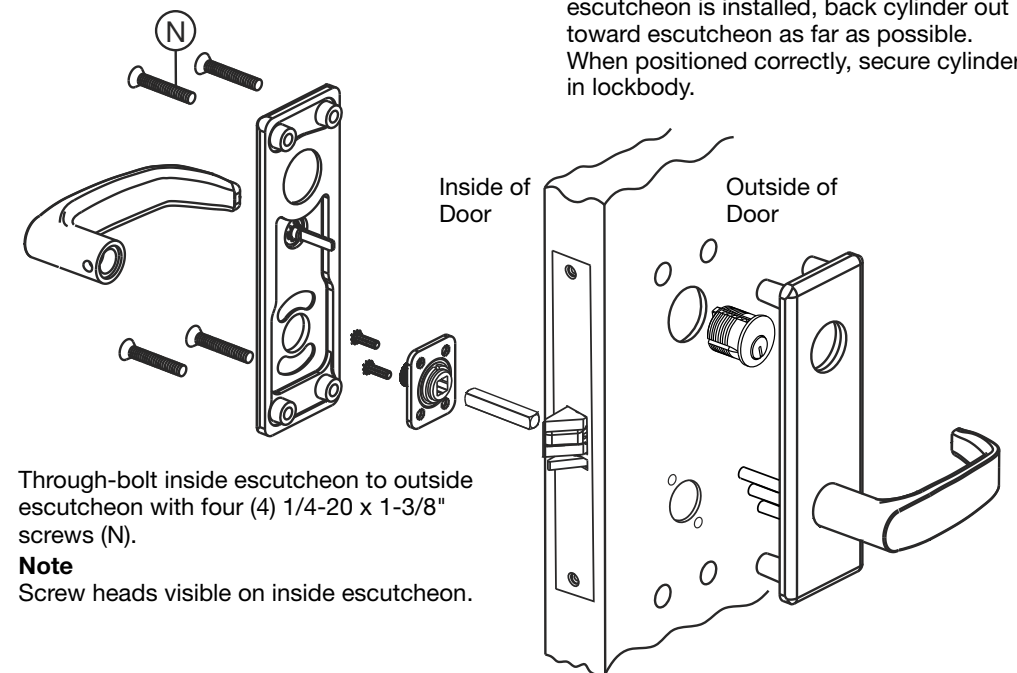


WT Escutcheon Installation



LS and KS Security Escutcheon

Install cylinder under escutcheon. Once escutcheon is installed, back cylinder out toward escutcheon as far as possible. When positioned correctly, secure cylinder in lockbody.



Note

To install double cylinder functions using supplied cylinder retaining cap:

1. Install:
 - both cylinders,
 - cylinder retaining cap (over each cylinder) and
 - escutcheons.
2. Back cylinders out and secure in place.