
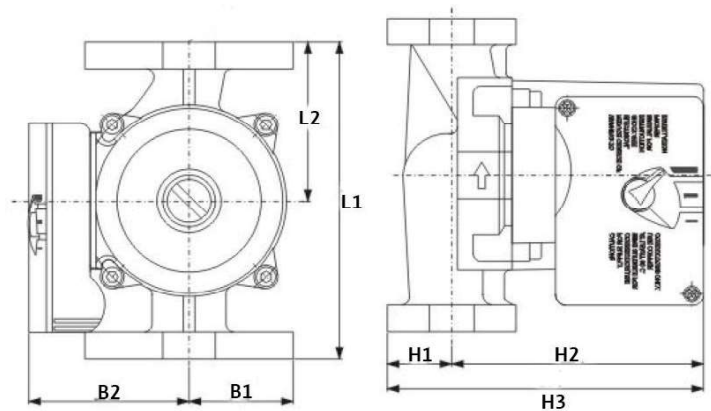
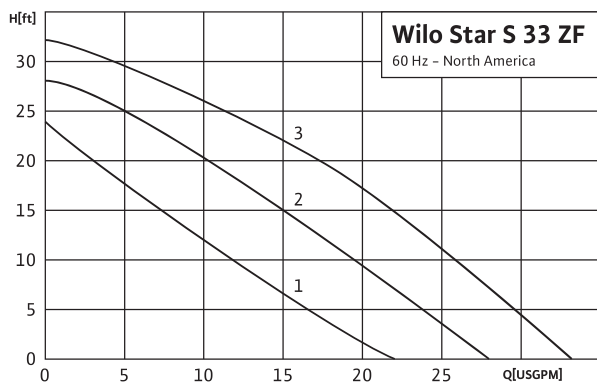


# Submittal Data Sheet



## Wilo Star – Residential Wet Rotor Circulators

| Star S 33 ZF  |              |               |          |      |       |       |         |
|---|--------------|---------------|----------|------|-------|-------|---------|
|  |              | Project:      |          |      |       |       |         |
|   |              | Engineer:     |          |      |       |       |         |
|   |              | Contractor:   |          |      |       |       |         |
|   |              | Submitted By: |          |      | Date: |       |         |
|   |              | Approved By:  |          |      | Date: |       |         |
| Tag #   | Model #      | Check Valve   | Speed    | Flow | Head  | Phase | Voltage |
|   | Star S 33 ZF | n/a           | (Select) |      |       | 1     | 115v    |



| Applications        |                          |
|---------------------|--------------------------|
| • Open Systems      | • Air-Conditioning       |
| • Heating & Cooling | • Water/Glycol up to 50% |
| • Solar Systems     | • Geothermal Systems     |

| Materials of Construction |                              |
|---------------------------|------------------------------|
| Impeller                  | Engineered Composite         |
| Shaft                     | Stainless Steel (1Cr18Ni9Ti) |
| Bearing                   | Metal Impregnated Carbon     |
| Volute                    | Stainless Steel (304)        |

| Technical Data                   |                              |
|----------------------------------|------------------------------|
| Max. Temp. Range                 | 32°F to 230°F (0°C to 110°C) |
| Ambient Temp.                    | 104°F (40°C)                 |
| Electrical Connections           | 1-115                        |
| Max. Working Pressure            | 140 PSI (10 Bar)             |
| Min. Inlet Pressure 122°F (50°C) | 0.7 PSI (0.05 Bar)           |
| Min. Inlet Pressure (203°F)      | 4.4 PSI (0.3 Bar)            |
| Min. Inlet Pressure (230°F)      | 14.5 PSI (1 Bar)             |

| Model        | Dimensions – Inches (mm)      |                               |       |                               |                                |                               |                                | Weight lbs (kg) |
|--------------|-------------------------------|-------------------------------|-------|-------------------------------|--------------------------------|-------------------------------|--------------------------------|-----------------|
|              | H1                            | H2                            | H3    | L1                            | L2                             | B1                            | B2                             |                 |
| Star S 33 ZF | 1 <sup>3</sup> / <sub>8</sub> | 4 <sup>5</sup> / <sub>8</sub> | 6     | 6 <sup>3</sup> / <sub>8</sub> | 3 <sup>3</sup> / <sub>16</sub> | 1 <sup>7</sup> / <sub>8</sub> | 3 <sup>3</sup> / <sub>16</sub> | 11.0            |
|              | (35)                          | (115)                         | (150) | (162)                         | (81)                           | (48)                          | (81)                           | (5.0)           |

| Motor Data   |            |           |         |         |
|--------------|------------|-----------|---------|---------|
| Model        | Horsepower | Speed     | Watts   | FLA     |
|              | hp         | RPM       | W       | A       |
| Star S 33 ZF | 1/6        | 1300-2700 | 135-230 | 1.2-2.0 |



WILO USA LLC

Tel: (888) 945-6872 Web: www.wilo-usa.com  
Fax: (888) 945-6873 Email: info@wilo-usa.com

WILO Canada Inc.

Tel: (866) 945-6236 Web: www.wilo-canada.com  
Fax: (403) 277-9456 Email: info@wilo-canada.com

WILO Mexico

Tel: +52 55 5586 3209 Web: www.wilo-mexico.com.mx  
Fax: +52 1 55 5413 4165 Email: info@wilo.com.mx