
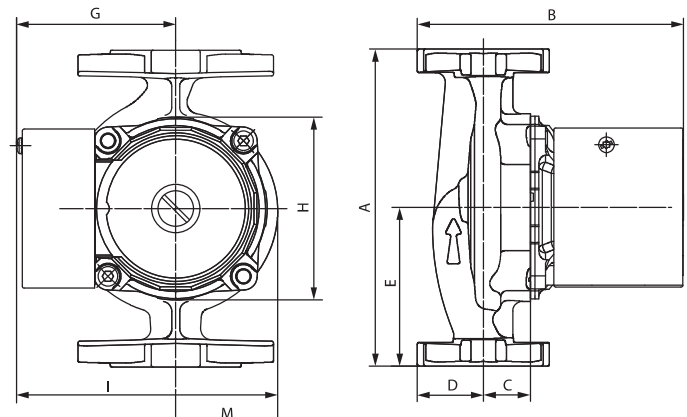
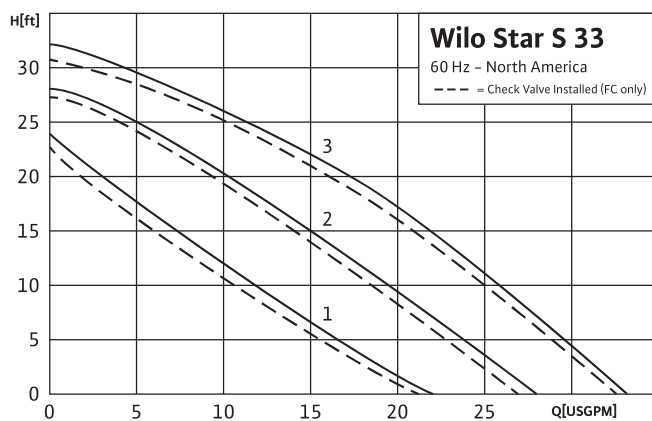


Submittal Data Sheet



Wilo Star – Residential Wet Rotor Circulators

Star S 33 FC							
		Project:					
		Engineer:					
		Contractor:					
		Submitted By:			Date:		
		Approved By:			Date:		
Tag #	Model #	Check Valve	Speed	Flow	Head	Phase	Voltage
	Star S 33 FC	(Select)	(Select)			1	



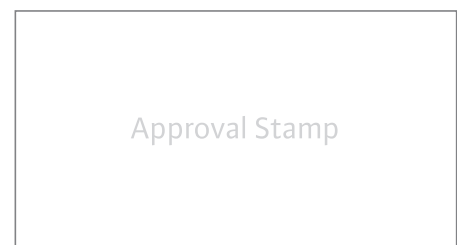
Applications	
• Heating Systems	• Air-Conditioning
• Cooling Systems	• Water/Glycol up to 50%
• Solar Systems	• Geothermal Systems

Materials of Construction	
Impeller	Engineered Composite (40% GF)
Shaft	Stainless Steel (X40 Cr13) AISI 420SS
Bearing	Metal Impregnated Carbon
Volute	Cast Iron with Installable Check Valve
Pump Housing	Cast Iron
Check Valve	Glass filled Noryl + EPDM rubber

Technical Data	
Max. Temp. Range	-14°F to 230°F (-10°C to 110°C)
Ambient Temp.	104°F (40°C)
Electrical Connections	1~115, 230
Max. Working Pressure	140 PSI (10 Bar)
Min. Inlet Pressure 122°F (50°C)	0.7 PSI (0.05 Bar)
Min. Inlet Pressure (203°F)	4.4 PSI (0.3 Bar)
Min. Inlet Pressure (230°F)	14.5 PSI (1 Bar)

Model	Dimensions - Inches (mm)								Weight lbs (kg)
	A	B	C	D	E	G	H	I	
Star S 33 FC	6 ³ / ₈	7	7 ⁷ / ₈	2	3 ³ / ₁₆	3 ³ / ₁₆	3 ¹¹ / ₁₆	5 ¹ / ₁₆	11.0
	(162)	(178)	(22)	(50)	(81)	(81)	(93.5)	(128)	(5.0)

Motor Data					
Model	Voltage	Horsepower hp	Speed RPM	Watts W	FLA A
Star S 33 FC	1~115v	1 ¹ / ₆	1300-2700	98-202	0.85-1.8
	1~230v	1 ¹ / ₆	1300-2700	115-200	0.5-0.9



WILO USA LLC

Tel: (888) 945-6872 Web: www.wilo-usa.com
 Fax: (888) 945-6873 Email: info@wilo-usa.com

WILO Canada Inc.

Tel: (866) 945-6236 Web: www.wilo-canada.com
 Fax: (403) 277-9456 Email: info@wilo-canada.com

WILO Mexico

Tel: +52 55 5586 3209 Web: www.wilo-mexico.com.mx
 Fax: +52 1 55 5413 4165 Email: info@wilo.com.mx