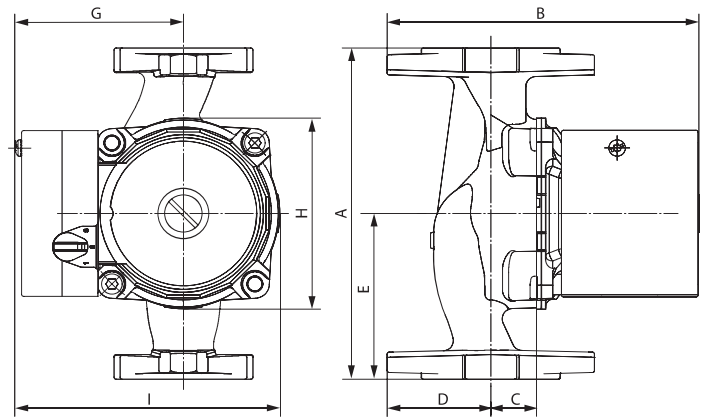
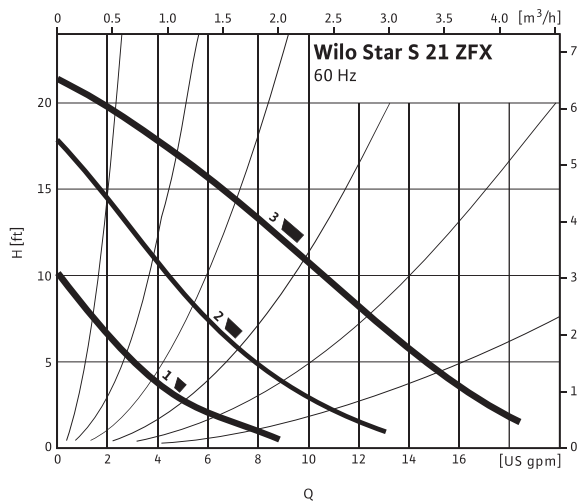


Submittal Data Sheet



Wilo Star – Residential Wet Rotor Circulators

Star S 21 ZFX							
		Project:					
		Engineer:					
		Contractor:					
		Submitted By:				Date:	
		Approved By:				Date:	
Tag #	Model #	Check Valve	Speed	Flow	Head	Phase	Voltage
	Star S 21 ZFX	n/a	(Select)			1	115v



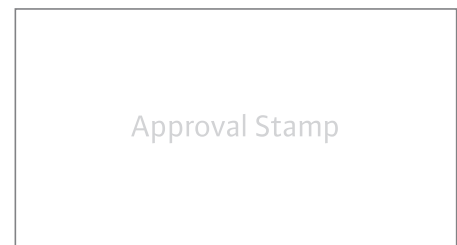
Applications	
• Domestic Hot Water	• Air-Conditioning
• Heating & Cooling	• Water/Glycol up to 50%
• Solar Systems	• Geothermal Systems

Materials of Construction	
Impeller	Engineered Composite (40% GF)
Shaft	Stainless Steel AISI 420SS
Bearing	Metal Impregnated Carbon
Volute	Stainless Steel
Pump Housing	Stainless Steel AISI 316L

Technical Data	
Max. Temp. Range	-14°F to 230°F (-10°C to 110°C)
Ambient Temp.	104°F (40°C)
Electrical Connections	1-115
Max. Working Pressure	140 PSI (10 Bar)
Min. Inlet Pressure 122°F (50°C)	0.7 PSI (0.05 Bar)
Min. Inlet Pressure (203°F)	4.4 PSI (0.3 Bar)
Min. Inlet Pressure (230°F)	14.5 PSI (1 Bar)

Model	Dimensions - Inches (mm)								Weight lbs (kg)
	A	B	C	D	E	G	H	I	
Star S 21 ZFX	6 ³ / ₈	6 ³ / ₈	7 ⁷ / ₈	2	3 ³ / ₁₆	3 ³ / ₁₆	3 ¹¹ / ₁₆	5 ¹ / ₁₆	6.5
	(162)	(154)	(22)	(50)	(81)	(81)	(93.5)	(128)	(3.0)

Motor Data				
Model	hp	Speed	Watts	FLA
		RPM	W	A
Star S 21 ZFX	1 ¹ / ₂₅	1300-2700	60-110	0.52-0.96



WILO USA LLC

Tel: (888) 945-6872 Web: www.wilo-usa.com
 Fax: (888) 945-6873 Email: info@wilo-usa.com

WILO Canada Inc.

Tel: (866) 945-6236 Web: www.wilo-canada.com
 Fax: (403) 277-9456 Email: info@wilo-canada.com

WILO Mexico

Tel: +52 55 5586 3209 Web: www.wilo-mexico.com.mx
 Fax: +52 1 55 5413 4165 Email: info@wilo.com.mx