

# Submittal Data Sheet

Wilo Star – Residential Wet Rotor Circulators

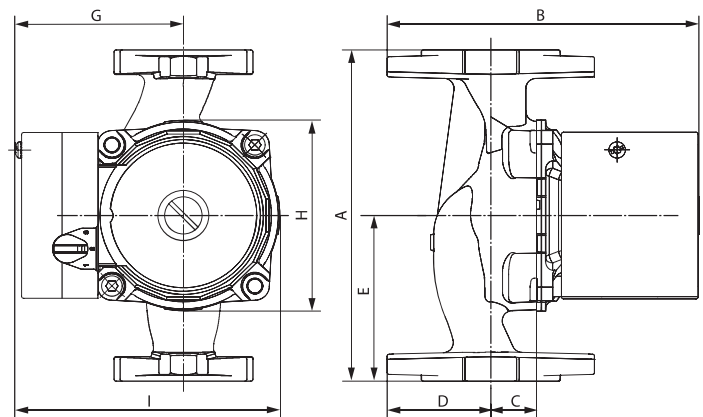
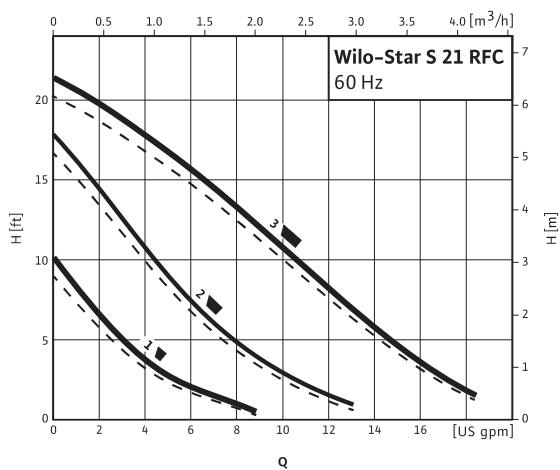


## Star S 21 RFC



|               |       |
|---------------|-------|
| Project:      |       |
| Engineer:     |       |
| Contractor:   |       |
| Submitted By: | Date: |
| Approved By:  | Date: |

| Tag # | Model #       | Check Valve | Speed    | Flow | Head | Phase | Voltage |
|-------|---------------|-------------|----------|------|------|-------|---------|
|       | Star S 21 RFC | (Select)    | (Select) |      |      | 1     | 115v    |



### Applications

- Heating Systems
- Air-Conditioning
- Cooling Systems
- Water/Glycol up to 50%
- Solar Systems
- Geothermal Systems

### Materials of Construction

|              |  |
|--------------|--|
| Impeller     | Engineered Composite (40% GF)          |
| Shaft        | Stainless Steel (X40 Cr13) AISI 420SS  |
| Bearing      | Metal Impregnated Carbon               |
| Volute       | Cast Iron                              |
| Pump Housing | Cast Iron with Installable Check Valve |
| Check Valve  | Glass filled Noryl + EPDM rubber       |

### Technical Data

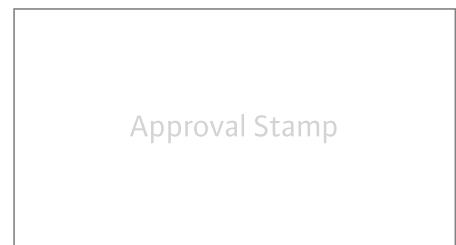
|                                  |                                 |
|----------------------------------|---------------------------------|
| Max. Temp. Range                 | -14°F to 230°F (-10°C to 110°C) |
| Ambient Temp.                    | 104°F (40°C)                    |
| Electrical Connections           | 1-115                           |
| Max. Working Pressure            | 140 PSI (10 Bar)                |
| Min. Inlet Pressure 122°F (50°C) | 0.7 PSI (0.05 Bar)              |
| Min. Inlet Pressure (203°F)      | 4.4 PSI (0.3 Bar)               |
| Min. Inlet Pressure (230°F)      | 14.5 PSI (1 Bar)                |

### Dimensions and Weights

| Model         | Dimensions - Inches (mm)      |                               |                               |      |                                |                                |                                 |                                | Weight lbs (kg) |
|---------------|-------------------------------|-------------------------------|-------------------------------|------|--------------------------------|--------------------------------|---------------------------------|--------------------------------|-----------------|
|               | A                             | B                             | C                             | D    | E                              | G                              | H                               | I                              |                 |
| Star S 21 RFC | 6 <sup>3</sup> / <sub>8</sub> | 6 <sup>3</sup> / <sub>8</sub> | 7 <sup>7</sup> / <sub>8</sub> | 2    | 3 <sup>3</sup> / <sub>16</sub> | 3 <sup>3</sup> / <sub>16</sub> | 3 <sup>11</sup> / <sub>16</sub> | 5 <sup>1</sup> / <sub>16</sub> | 6.5             |
|               | (162)                         | (154)                         | (22)                          | (50) | (81)                           | (81)                           | (93.5)                          | (128)                          | (3.0)           |

### Motor Data

| Model         | Horsepower | Speed     | Watts  | FLA       |
|---------------|------------|-----------|--------|-----------|
|               | hp         | RPM       | W      | A         |
| Star S 21 RFC | 1/25       | 1300-2700 | 56-110 | 0.52-0.92 |



WILO USA LLC

Tel: (888) 945-6872 Web: www.wilo-usa.com  
 Fax: (888) 945-6873 Email: info@wilo-usa.com

WILO Canada Inc.

Tel: (866) 945-6236 Web: www.wilo-canada.com  
 Fax: (403) 277-9456 Email: info@wilo-canada.com

WILO Mexico

Tel: +52 55 5586 3209 Web: www.wilo-mexico.com.mx  
 Fax: +52 1 55 5413 4165 Email: info@wilo.com.mx