

# Submittal Data Sheet

Wilco Star – Residential Wet Rotor Circulators

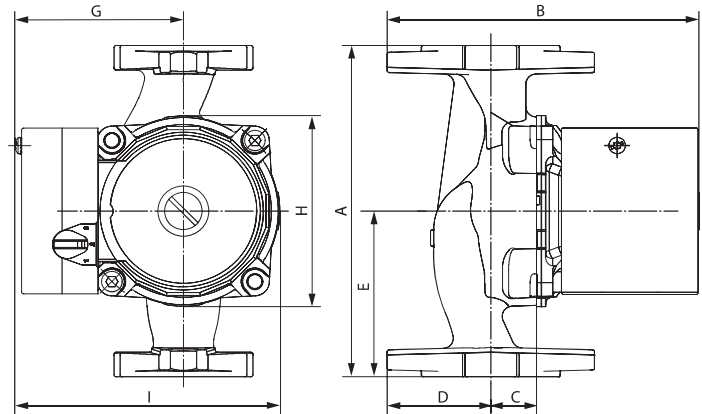
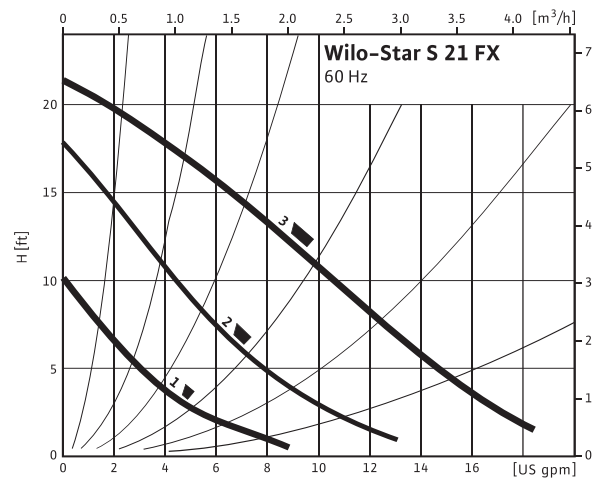


## Star S 21 FX



Project:	
Engineer:	
Contractor:	
Submitted By:	Date:
Approved By:	Date:

Tag #	Model #	Check Valve	Speed	Flow	Head	Phase	Voltage
	Star S 21 FX	n/a	(Select)			1	115v



### Applications

- Heating Systems
- Air-Conditioning
- Cooling Systems
- Water/Glycol up to 50%
- Solar Systems
- Geothermal Systems

### Materials of Construction

Impeller	Engineered Composite (40% GF)
Shaft	Stainless Steel (X40 Cr13) AISI 420SS
Bearing	Metal Impregnated Carbon
Volute	Cast Iron
Pump Housing	Cast Iron

### Technical Data

Max. Temp. Range	-14°F to 230°F (-10°C to 110°C)
Ambient Temp.	104°F (40°C)
Electrical Connections	1-115
Max. Working Pressure	140 PSI (10 Bar)
Min. Inlet Pressure 122°F (50°C)	0.7 PSI (0.05 Bar)
Min. Inlet Pressure (203°F)	4.4 PSI (0.3 Bar)
Min. Inlet Pressure (230°F)	14.5 PSI (1 Bar)

### Dimensions and Weights

Model	Dimensions - Inches (mm)								Weight lbs (kg)
	A	B	C	D	E	G	H	I	
Star S 21FX	6 <sup>3</sup> / <sub>8</sub>	6 <sup>3</sup> / <sub>8</sub>	7 <sup>7</sup> / <sub>8</sub>	2	3 <sup>3</sup> / <sub>16</sub>	3 <sup>3</sup> / <sub>16</sub>	3 <sup>11</sup> / <sub>16</sub>	5 <sup>1</sup> / <sub>16</sub>	6.5
	(162)	(154)	(22)	(50)	(81)	(81)	(93.5)	(128)	(3.0)

### Motor Data

Model	Horsepower	Speed	Watts	FLA
	hp	RPM	W	A
Star S 21FX	1 <sup>1</sup> / <sub>25</sub>	1300-2700	56-110	0.52-0.92



WILO USA LLC

Tel: (888) 945-6872 Web: www.wilo-usa.com  
 Fax: (888) 945-6873 Email: info@wilo-usa.com

WILO Canada Inc.

Tel: (866) 945-6236 Web: www.wilo-canada.com  
 Fax: (403) 277-9456 Email: info@wilo-canada.com

WILO Mexico

Tel: +52 55 5586 3209 Web: www.wilo-mexico.com.mx  
 Fax: +52 1 55 5413 4165 Email: info@wilo.com.mx