

# Installation and Service Instructions

for use by heating contractor



## Vitodens 100-W

### B1HE Series and B1KE Combi Series

Wall mounted gas-fired condensing boiler with

3.5 inch black/white display

On demand domestic Hot Water with Combi Boilers

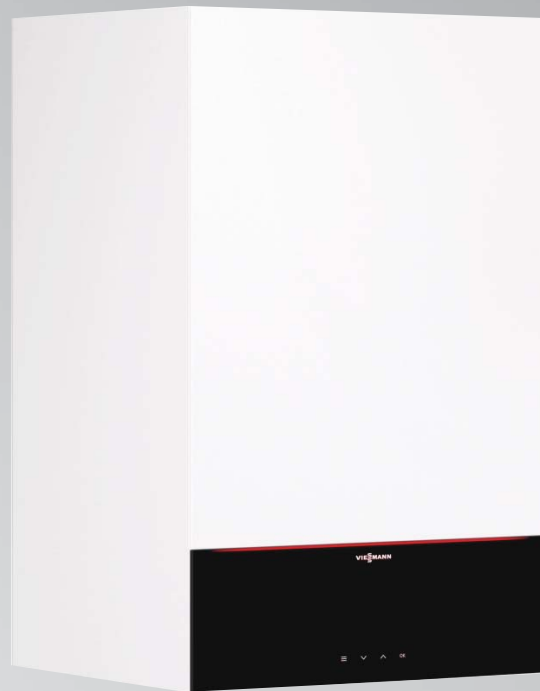
For operation with natural gas or liquid propane gas

Heating input: 8.5 to 199 MBH

2.5 to 58.3 kW



## VITODENS 100-W



Energy Verified



Product may not be exactly as shown

**IMPORTANT**

Read and save these instructions for future reference.

## Safety, Installation and Warranty Requirements

Please ensure that these instructions are read and understood before commencing installation. Failure to comply with the instructions listed below and details printed in this manual can cause product/property damage, severe personal injury, and/or loss of life. Ensure all requirements below are understood and fulfilled (including detailed information found in manual subsections).

■ **Product documentation**

Read all applicable documentation before commencing installation. Store documentation near boiler in a readily accessible location for reference in the future by service personnel.

► *For a listing of applicable literature, please see section entitled "Important Regulatory and Safety Requirements".*



■ **Warranty**

Information contained in this and related product documentation must be read and followed. Failure to do so renders the warranty null and void.



■ **Licensed professional heating contractor**

The installation, adjustment, service and maintenance of this equipment must be performed by a licensed professional heating contractor.

► *Please see section entitled "Important Regulatory and Installation Requirements".*



■ **Contaminated air**

Air contaminated by chemicals can cause by-products in the combustion process, which are poisonous to inhabitants and destructive to Viessmann equipment.

► *For a listing of chemicals which cannot be stored in or near the boiler room, please see subsection entitled "Combustion Air Supply".*



■ **Advice to owner**

Once the installation work is complete, the heating contractor must familiarize the system operator/ultimate owner with all equipment, as well as safety precautions/requirements, shutdown procedure, and the need for professional service annually before the heating season begins.

■ **Carbon monoxide**

Improper installation, adjustment, service and/or maintenance can cause flue products to flow into living space. Flue products contain poisonous carbon monoxide gas.

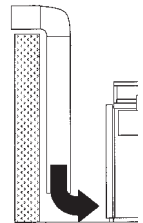
► *For information pertaining to the proper installation, adjustment, service and maintenance of this equipment to avoid formation of carbon monoxide, please see instructions supplied with burner.*



■ **Fresh air**

This equipment requires fresh air for safe operation and must be installed ensuring provisions for adequate combustion and ventilation air exist.

► *For information pertaining to the fresh air requirements of this product, please see subsection entitled "Combustion Air Supply".*



■ **Equipment venting**

Never operate boiler without an installed venting system. An improper venting system can cause carbon monoxide poisoning.

► *For information pertaining to venting and chimney requirements, please see section entitled "Venting Connection". All products of combustion must be safely vented to the outdoors.*



**! WARNING**

**Installers must follow local regulations with respect to installation of carbon monoxide detectors. Follow manufacturer's maintenance schedule of the boiler.**

**Safety**

Safety, Installation and Warranty Requirements.....2  
 Important Regulatory and Installation Requirements ..... 5

**General Information**

About these Installation Instructions .....6  
 Applicability .....7  
 Mechanical Room .....8  
 Product Information .....9  
 System Examples ..... 10  
 Fitting and Sealing Points..... 10

**Dimensions**

Minimum Clearances..... 10  
 Boiler Dimensions ..... 11

**Installation**

Mounting the Boiler and Making Connections..... 13  
 Piping Connections ..... 18  
 Neutralization Unit.....21  
 DHW Tank Connection.....22  
 Safety Valve.....23  
 Flue Gas Connection.....24  
 Electrical Connections.....25  
 WiFi Operational Reliability and System Requirements...29  
 Closing the Junction Box.....30  
 Fitting the Programming Unit and Front Panel.....31  
 Adjusting pump Rate of Integral Pump .....32  
 System Layout 1 .....33  
 System Layout 2 .....34  
 System Layout 3 .....35  
 System Layout 4 .....36  
 System Layout 5 .....37  
 System Layout 6 .....38  
 Boiler with Low Water Cut-off  
 (remote mounted, field supplied) ..... 39

**Commissioning**

Commission the System with the Commissioning  
 Assistant.....40  
 Filling the Heating System .....42  
 Checking All Connections on the Heating Water and  
 DHW Sides for Leaks .....44  
 Checking the Gas Type .....44  
 Converting the Gas Type for Operation with LPG.....45  
 Removing the Front Panel.....45  
 Removing the Programming Unit to the Maintenance  
 Position.....46  
 Checking the Static Pressure and Supply Pressure .....47  
 Function Sequenceand Possible Faults .....48  
 Seal Test on Coaxial Flue System (annular gap check) ....49

	Page
<b>Service</b>	
Removing the Burner .....	50
Checking the Burner Gasket and Flame Body Assembly ..	51
Checking and Adjusting the Ignition and Ionization Electrodes .....	53
Checking the Flue Gas Flapper .....	53
Cleaning the Heating Surfaces .....	54
Check Condensate Drain / Cleaning the Siphon Trays.....	55
Installing the Burner .....	56
Checking the Neutralization System (if Installed) .....	57
Check the Flow Limiter (only for gas condensing combi boiler).....	57
Checking the Expansion Tank (on site) and System Pressure.....	58
Checking the Safety Valve Function .....	58
Checking All Gas Equipment for Leaks at System Pressure .....	58
Fitting the Front Panel.....	58
Checking the Combustion Quality .....	59
Checking the CO <sub>2</sub> Content / Relay Tests .....	60
Clock Natural Gas Meter .....	60
Calling Up and Resetting the Maintenance Display .....	60
Instructing the System User.....	61
Calling Up Parameters .....	61
General .....	62
Boiler .....	63
DHW .....	65
<b>System Configuration (parameters)</b>	
<b>Diagnostics and Service Checks</b>	
Service Menu.....	67
Checking Outputs (actuator test).....	67
<b>Troubleshooting</b>	
Fault Display on the Programming Unit.....	69
Overview of Electronic Modules .....	71
Fault Messages .....	72
Repairs .....	82
<b>Function Descriptions</b>	
Opening the Junction Box .....	89
Boiler Functions .....	91
DHW Heating.....	92
Increased DHW Hygiene .....	92
Call for Heat .....	92
<b>Wiring Diagrams</b>	
Overview of the Modules .....	93
HMU Heat Management Unit .....	94
BCU Burner Control Unit.....	95
Wiring Panel .....	96
B1HE Models 85 / 120 / 150 / 199 .....	97
B1KE Models 120 / 199.....	98
Service Reports.....	99
Technical Data .....	100
Parts List.....	103
Lighting and Operating Instructions.....	125
<b>Maintenance Record</b>	
<b>Specification</b>	
<b>Parts</b>	
<b>Additional Information</b>	

## Important Regulatory and Installation Requirements

### Codes

The installation of this unit shall be in accordance with local codes or, in the absence of local codes, use CAN/CSA-B149.1 or .2 Installation Codes for Gas Burning Appliances for Canada. For U.S. installations use the National Fuel Gas Code ANSI Z223.1. Always use latest editions of codes.

In Canada all electrical wiring is to be done in accordance with the latest edition of CSA C22.1 Part 1 and/or local codes. In the U.S. use the National Electrical Code ANSI/NFPA 70. The heating contractor must also comply with both the Standard for Controls and Safety Devices for Automatically Fired Boilers, ANSI/ASME CSD-1, and the Installation Code for Hydronic Heating Systems, CSA B214 (latest edition), where required by the authority having jurisdiction.

- ▶ *Leave all literature at the installation site and advise the system operator/ultimate owner where the literature can be found. Contact Viessmann for additional copies.*
- ▶ *This product comes with several safety instruction labels attached. Do not remove! Contact Viessmann immediately if replacement labels are required.*

For installations on the Commonwealth of Massachusetts, the following modifications to NFPA-54 chapter 10 apply:  
Excerpt from 248 CMR 5-08:

- 2(a) For all side-wall horizontally vented gas fueled equipment installed in every dwelling, building or structure used in whole or in part for residential purposes, including those owned or operated by the Commonwealth and where the side-wall exhaust vent termination is less than (7) feet above finished grade in the area of the venting, including but not limited to decks and porches, the following requirements shall be satisfied:
1. **INSTALLATION OF CARBON MONOXIDE DETECTORS.** At the time of installation of the side-wall horizontal vented gas fueled equipment, the installing plumber or gas fitter shall observe that a hard wired carbon monoxide detector with an alarm and battery back-up is installed on the floor level where the gas equipment is to be installed. In addition, the installing plumber or gas fitter shall observe that a battery operated or hard wired carbon monoxide detector with an alarm is installed on each additional level of the dwelling, building or structure served by the side-wall horizontal vented gas fueled equipment. It shall be the responsibility of the property owner to secure the services of qualified licensed professional for the installation of hard-wired carbon monoxide detectors.
    - a. In the event that the side-wall horizontally vented gas fueled equipment is installed in a crawl space or an attic, the hard-wired carbon monoxide detector with alarm and battery back-up may be installed on the next adjacent floor level.
    - b. In the event that the requirements of this subdivision can not be met at the time of completion of installation, the owner shall have a period of thirty (30) days to comply with the above requirements; provided, however, that during said thirty (30) day period, a battery operated carbon monoxide detector with an alarm shall be installed.
  2. **APPROVED CARBON MONOXIDE DETECTORS.** Each carbon monoxide detector as required in accordance with the above provisions shall comply with NFPA 720 and be ANSI/UL 2034 listed and IAS certified.
  3. **SIGNAGE.** A metal or plastic identification plate shall be permanently mounted to the exterior of the building at a minimum height of eight (8) feet above grade directly in line with the exhaust vent terminal for the horizontally vented gas fueled heating appliance or equipment. The sign shall read, in print size no less than one-half (1/2) inch in size, "GAS VENT DIRECTLY BELOW. KEEP CLEAR OF ALL OBSTRUCTIONS".
  4. **INSPECTION.** The state or local gas inspector of the side-wall horizontally vented gas fueled equipment shall not approve the installation unless, upon inspection, the inspector observes carbon monoxide detectors and signage installed in accordance with the provisions of 248 CMR 5.08(2)(a) 1 through 4.
- (b) **EXEMPTIONS:** The following equipment is exempt from 248 CMR 5.08(2)(a) 1 through 4:
1. The equipment listed in Chapter 10 entitled "Equipment Not Required To Be Vented" in the most current edition of NFPA 54 as adopted by the Board; and
  2. Product Approved side-wall horizontally vented gas fueled equipment installed in a room or structure separate from the dwelling, building or structure used in whole or in part for residential purposes.

**Important Regulatory and Installation Requirements** *(continued)*

**Working on the equipment**

The installation, adjustment, service, and maintenance of this boiler must be performed by a licensed professional heating contractor who is qualified and experienced in the installation, service, and maintenance of hot water boilers. There are no user serviceable parts on the boiler, burners, or control.

Ensure main power supply to equipment, the heating system, and all external controls has been deactivated. Close main gas supply valve. Take precautions in all instances to avoid accidental activation of power during service work.


**Technical literature**


Literature for the Vitodens boiler:

- Technical Data Manual
- Installation and Service Instructions
- Operating Instructions and User's Information Manual
- Vitodens Venting System Installation Instructions
- Quick Start Guide
- Instructions of other products utilized and installed
- Installation codes mentioned in this manual and as locally applicable

- ▶ *The completeness and functionality of field supplied electrical controls and components must be verified by the heating contractor. This includes low water cutoffs, flow switches (if used), staging controls, pumps, motorized valves, air vents, thermostats, etc.*
- ▶ *Leave all literature at the installation site and advise the system operator/ultimate owner where the literature can be found. Contact Viessmann for additional copies.*
- ▶ *This product comes with several safety instruction labels attached. Do not remove! Contact Viessmann immediately if replacement labels are required.*


**About these Installation Instructions**

 Take note of all symbols and notations intended to draw attention to potential hazards or important product information. These include "WARNING", "CAUTION", and "IMPORTANT". See below.

 **WARNING**

Indicates an imminently hazardous situation which, if not avoided, could result in death, serious injury or substantial product/property damage.

▶ *Warnings draw your attention to the presence of potential hazards or important product information.*

 **CAUTION**

Indicates an imminently hazardous situation which, if not avoided, may result in minor injury or product/property damage.

▶ *Cautions draw your attention to the presence of potential hazards or important product information.*

**IMPORTANT**

▶ *Helpful hints for installation, operation or maintenance which pertain to the product.*



▶ *This symbol indicates that additional, pertinent information is to be found.*



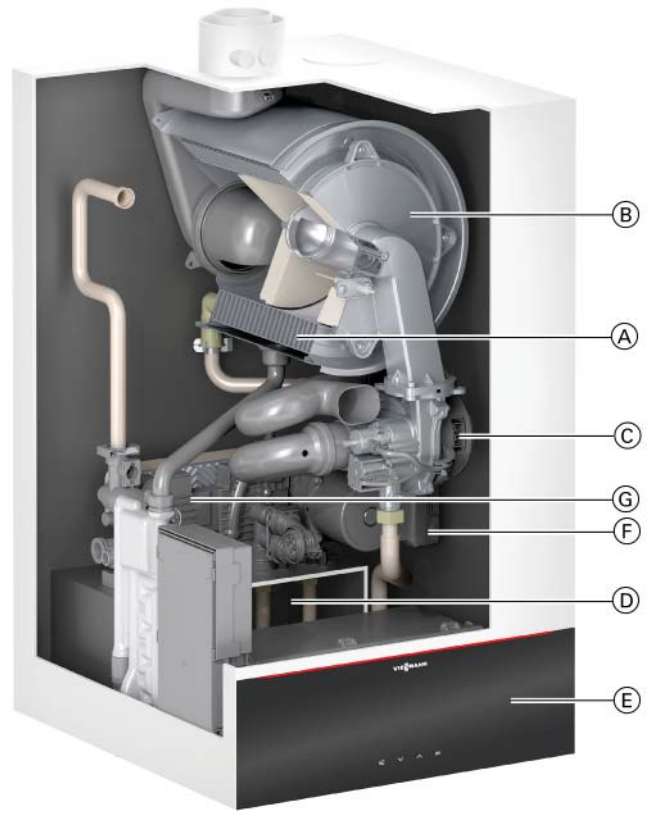
▶ *This symbol indicates that other instructions must be referenced.*

## Applicability

### IMPORTANT

The boiler serial number must be provided when ordering replacement parts. Both the 16-digit serial number bar code on the rating plate and the 12-digit ASME serial number correlate to each other. Providing either serial number is sufficient.

Model No.	Serial No.
B1HE - 85	7722772□□□□□□□□□□
B1HE - 120	7722773□□□□□□□□□□
B1HE - 150	7722774□□□□□□□□□□
B1HE - 199	7722775□□□□□□□□□□
B1KE - 120	7722776□□□□□□□□□□
B1KE - 199	7722777□□□□□□□□□□



**Boiler cross-section**

**Legend**

- Ⓐ Inox-Radial stainless steel heat exchanger
- Ⓑ Stainless steel MatrixPlus cylinder burner
- Ⓒ Burner blower
- Ⓓ Gas and hydronic connections
- Ⓔ Black and white 3.5 inch boiler control display
- Ⓕ Integrated boiler/DHW production pump
- Ⓖ DHW plate heat exchanger (combi boilers only)



During the early stages of new home design, we recommend that proper consideration be given to constructing a separate mechanical room dedicated to gas- or oil-fired equipment including domestic hot water storage tanks.

The boiler must be located in a heated indoor space, near a floor drain, and as close as possible to the wall.

Whenever possible, install boiler near an outside wall so that it is easy to duct the venting system to the boiler.

Locate boiler on walls capable of supporting the weight of the boiler filled with water (see section entitled "Technical Data" on page 100 for information required for total boiler weight calculation). Ensure that boiler location does not interfere with proper circulation of combustion and ventilation air of other fuel burning equipment (if applicable) within the mechanical room.

The maximum room temperature of the mechanical room where the boiler is located must not exceed 95°F (35°C).

## IMPORTANT

### **Boiler operation in marine environments (damp, salty coastal areas):**

The service life of the boiler's exposed metallic surfaces, such as the casing and fan housing, is directly influenced by proximity to damp and salty marine environments. In such areas, higher concentration levels of chlorides from sea spray, coupled with relative humidity, can lead to degradation of the exposed metallic surfaces mentioned above. Therefore, it is imperative that boilers installed in such environments not be installed using direct vent systems which draw outdoor air for combustion. Such boilers must be installed using room air dependent vent systems; i.e. using room air for combustion. The indoor air will have a much lower relative humidity and, hence, potential corrosion will be minimized.



## WARNING

If you notice fire coming from the boiler, call the fire department immediately! Do not attempt to extinguish the fire unless qualified to do so.



## WARNING

Fire causes a risk of burns and explosion!

- Shut down the boiler
- Close fuel shut-off valves
- Use a tested fire extinguisher, class ABC.



## WARNING

Incorrect ambient conditions can lead to damage to the heating system and put safe operation at risk.

### **Installation area conditions**

- Ensure ambient temperatures are higher than 32°F (0°C) and lower than 95°F (35°C).
- Prevent the air from becoming contaminated by halogenated hydrocarbons (e.g. as contained in paint solvents or cleaning fluids) and excessive dust (e.g. through grinding or polishing work). Combustion air for the heating process, and ventilation of the boiler room must be free of corrosive contaminants. To that end, any boiler must be installed in an area that has no chemical exposure. The list below indicates the main, currently known sources.
- Avoid continuously high levels of humidity (e.g. through frequent drying of laundry).
- Never close existing ventilation openings.

### **Sources of combustion and ventilation air contaminants.**

#### **Areas likely to contain contaminants:**

- New building construction
- Swimming pools
- Remodelling areas, hobby rooms
- Garages with workshops
- Furniture refinishing areas
- Dry cleaning/laundry areas and establishments
- Auto body shops
- Refrigeration repair shops
- Metal fabrication plants
- Plastic manufacturing plants
- Photo processing plants
- Beauty salons

#### **Products containing contaminants:**

- Chlorine-type bleaches, detergents and cleaning solvents found in household laundry rooms
- Paint and varnish removers
- Hydrochloric acid, muriatic acid
- Chlorine-based swimming pool chemicals
- Spray cans containing chlorofluorocarbons
- Chlorinated waxes and cleaners
- Cements and glues
- Refrigerant leaks
- Calcium chloride used for thawing
- Sodium chloride used for water softening salt
- Permanent wave solutions
- Adhesives used to fasten building products and other similar items
- Antistatic fabric softeners used in clothes dryers

### **Before set-up**

Before placing boiler in its installation location, ensure all necessary accessories are installed.



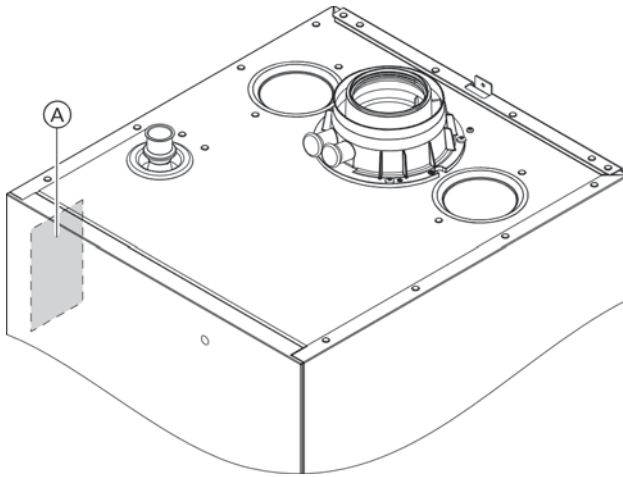
## CAUTION

The boiler must be installed in such a way that gas ignition system components are protected from water (spraying, splashing, etc.) during boiler operation and service.



## Product Information

Rating plate



Ⓐ Rating plate with access code for boiler registration

### Vitodens 100-W, type B1HE, B1KE

Wall mounted gas condensing boiler with Inox-Radial heat exchanger and the following integrated components:

- Modulating MatrixPlus burner for natural gas and LPG
- Hydraulics with 3-way diverter valve and high efficiency circulation pump
- Type B1KE: Plate heat exchanger for DHW heating
- Weather-compensated or constant temperature control unit

The Vitodens 100-W B1HE is available as a gas condensing boiler for the connection of one DHW tank or as a gas condensing combi boiler B1KE with an integral plate heat exchanger for DHW heating. For the connection of heating circuits and the DHW tank or the DCW/DHW piping for the B1KE, see installation examples starting on page 33. In the factory set condition, the Vitodens 100-W is set up for operation with constant boiler water temperature. By connecting an outdoor temperature sensor (included with installation accessories), the boiler can be operated in weather-compensated mode.

The following are integrated: closed loop hydraulic system with 2 connections for heating system supply and return, and 2 connections for DHW tank heating (B1HE) or on demand DHW heating (B1KE).

These boilers are only intended for installation in close loop heating systems.

The rating plate of the boiler contains extensive product information and an boiler-specific Access code with the marking "i" for direct access to product-specific information and product registration on the internet. The access code contains the credentials for the registration and product information portal, as well as the 16-digit serial number.

**Note:** A further label with the access code is enclosed with the boiler.

Affix the label in the installation and service instructions so it can be easily found again for later use.

## System Examples

System examples with hydraulic and electrical connection schemes and function descriptions are available to help setting up the heating system, refer to the system layouts starting on page 33.

## Fittings and Sealing Points

All connections on the boiler must be fitted with new gaskets after opening or loosening.



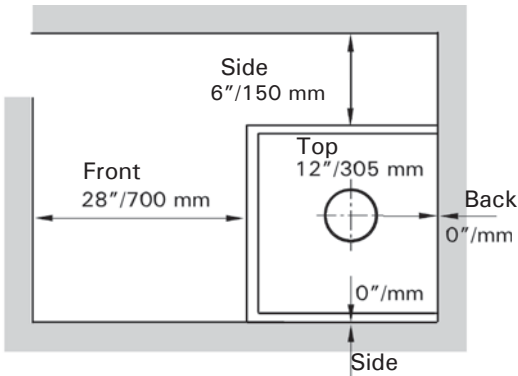
### WARNING

**Risk of electric shock from escaping heating water or DHW.**

**When commissioning and after carrying out maintenance work, check all water side connections for leaks.**

## Minimum Clearances

### Recommended minimum boiler service clearances



### Recommended minimum boiler clearances to combustibles

**Note:** The Vitodens 100-W boiler has passed the zero inches vent clearance to combustibles testing requirements dictated by the boiler Harmonized Standard ANSI Z21.13. CSA 4.9 (latest edition) and therefore is listed for zero clearance to combustibles when vented with a single-wall special venting system (AL-29-4C material) or UL/ULC-listed CPVC gas vent material. The zero inches vent clearance to combustibles for the Vitodens 100-W boiler supercedes the clearance to combustibles listing that appears on the special venting system label.

Top clearance - 12 in. (30 cm).



See the Vitodens Venting System Installation Instructions.

### Clearance to combustibles

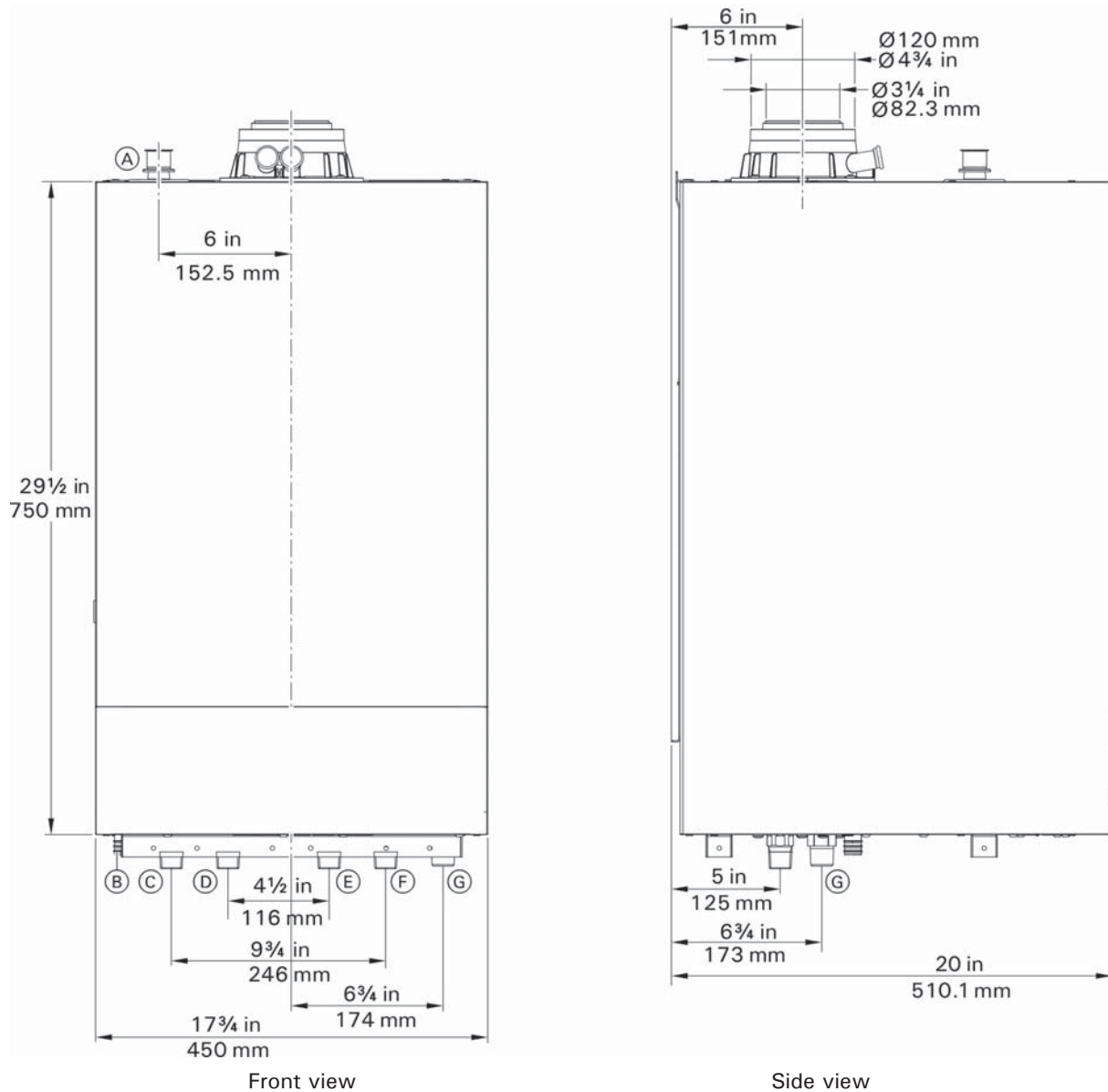
Top	Front	Rear	Left	Right	Vent pipe <sup>*1</sup>
0	0 AL, CL	0	0	0	0

<sup>\*1</sup> Refer to the Installation Instructions of the Vitodens Venting System for details.

AL = Alcove  
CL = Closet

# Boiler Dimensions

B1HE/B1KE 85 and 120

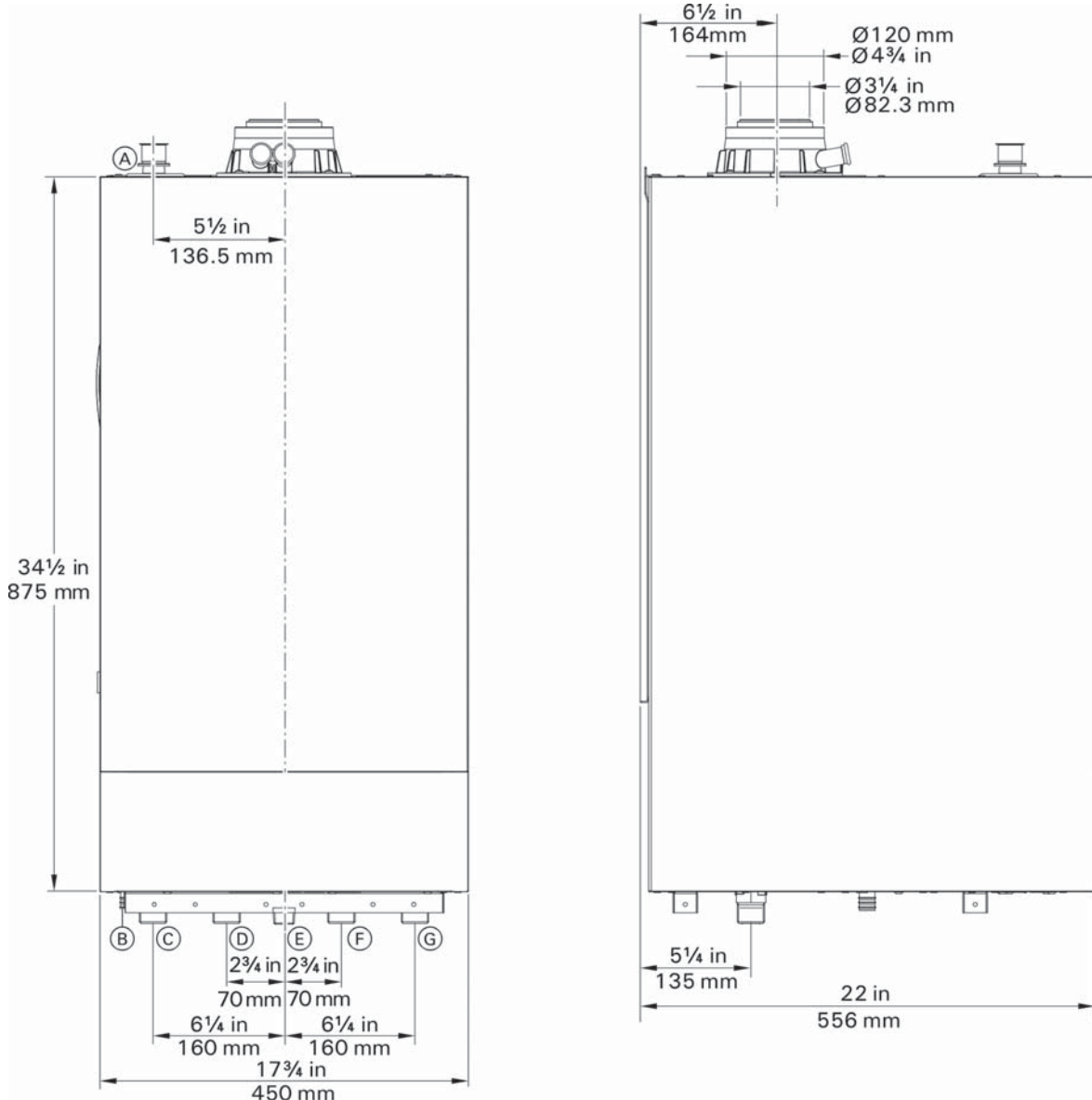


**Legend**

- (A) Safety valve, pressure gauge connection
- (B) Condensate drain
- (C) Heating system supply
- (D) For B1HE series, DHW tank heating supply  
For B1KE series, DHW
- (E) For B1HE series, DHW tank heating return  
For B1KE series, DCW
- (F) Heating system return
- (G) Fuel gas connection

**Boiler Dimensions** *(continued)*

B1HE/B1KE 150 and 199



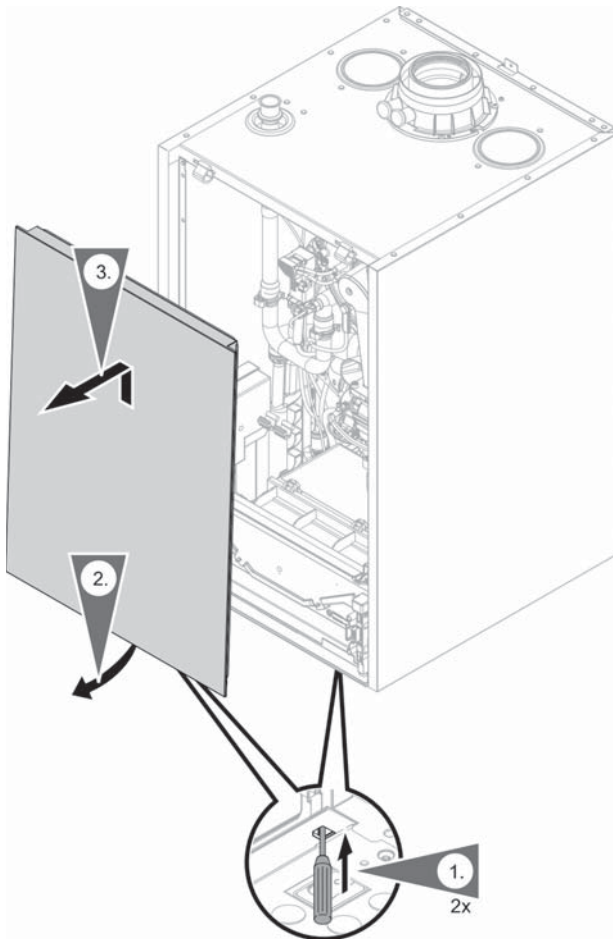
Front view

Side view

**Legend**

- (A) Safety valve, pressure gauge connection
- (B) Condensate drain
- (C) Heating system supply
- (D) For B1HE series, DHW tank heating supply  
For B1KE series, DHW
- (E) Fuel gas connection
- (F) For B1HE series, DHW tank heating return  
For B1KE series, DCW
- (G) Heating system return

## Mounting the Boiler and Making Connections



### Removing the front panel

1. Unlock the front panel on the underside (push in), using a screwdriver or similar tool.
2. Swivel the front panel forwards slightly and lift away upwards.

**Note:** Do not remove protective caps from connections on the heating water side and from the gas connection until you are about to commence installation.

### Fitting the wall mounting bracket

Following are the installation instructions for the mounting bracket on each material. See the instructions applicable to your installation requirements.

#### Installing the wall mounting bracket

The Vitodens 100-W can be wall-mounted on a concrete wall.

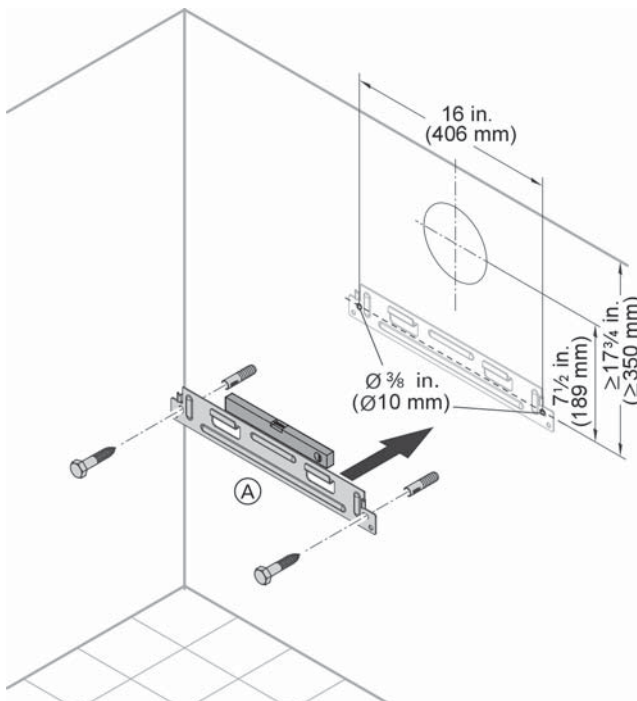
**Note:** The enclosed screws and rawl plugs are only suitable for concrete. For other construction materials, use bolts and anchors that are suitable for 196 lb. (86 kg) loads.

#### Installation of mounting bracket on brick/concrete wall

1. Mark out the rawl plug holes.
2. Drill holes  $\varnothing \frac{3}{8}$  in. ( $\varnothing 10$  mm) and insert the rawl plugs supplied.
3. Fit the wall mounting bracket with the screws supplied.

**Note:** Check the condition of the wall where the boiler is to be installed. For the suitability of the supplied rawl plugs for various building materials, see the manufacturer's instructions.

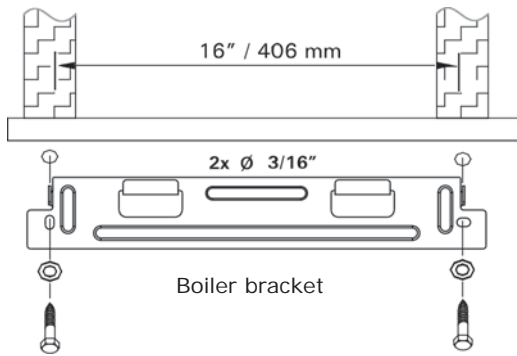
For other construction materials, use fixing materials with sufficient load bearing capacity.



### **CAUTION**

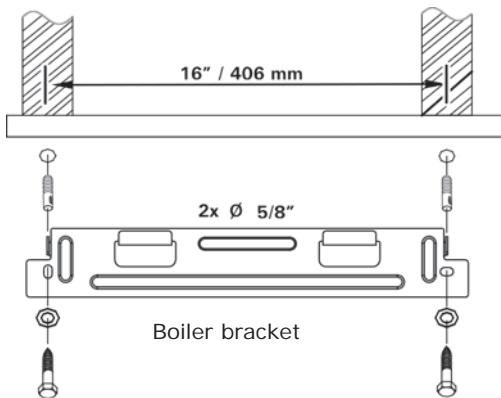
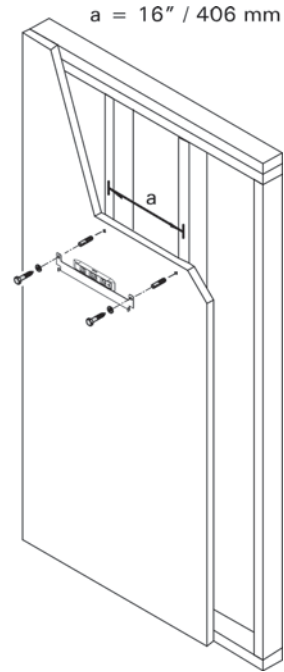
Whichever mounting method is used, ensure that the bracket is tightly and securely fastened to wall. Failure to secure boiler properly could cause boiler to loosen, posing a severe safety hazard.

**Mounting the Boiler and Making Connections** *(continued)*



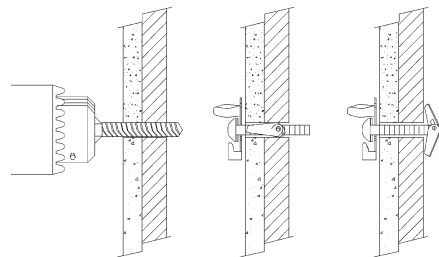
**Boiler mounting bracket installation on wood studs**

Install mounting bracket on wood studs as per illustration. Drill  $\frac{3}{16}$  in. pilot holes to insert mounting bolts. Ensure that holes are located in the center of each wood stud. Secure with bolts to wooden studs as shown.

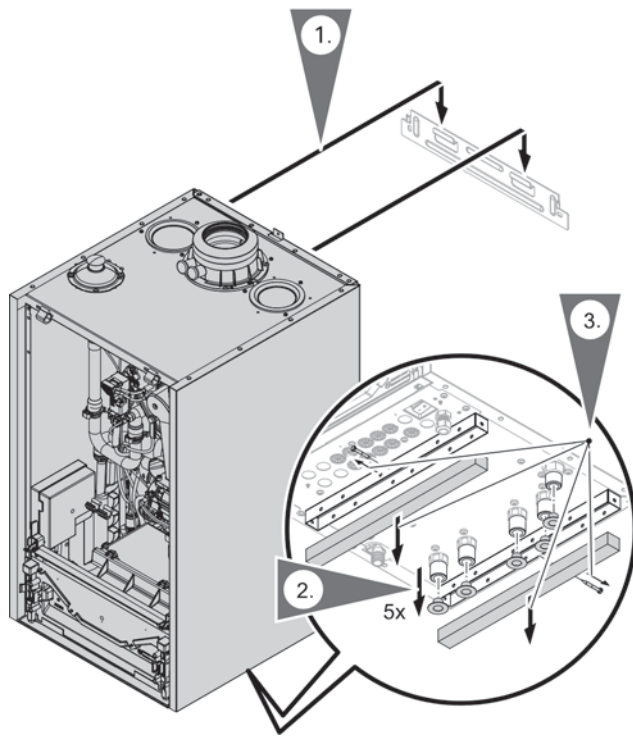


**Boiler mounting bracket installation on metal studs**

Install mounting bracket on metal studs as per illustration. Drill  $\frac{5}{8}$  in. pilot holes to insert anchors. Ensure that holes are located in the center of each metal stud. Use fasteners to mount boiler mounting bracket to metal studs (supplied). Secure with bolts to metal studs as shown. Ensure the mounting bracket is level.



## Mounting the Boiler and Making Connections *(continued)*



**Note:** Various installation components can be found in the installation fittings kit. Keep the installation components safe, as they will be required for later installation.

**Note:** To prevent dirt from entering the connections: Do not remove the protective caps until you are about to fit the boiler.

1. Mount the boiler on the wall mounting bracket. Ensure that all four mounting tabs of the wall mounting bracket have locked into the boiler.
2. Remove plastic shipping caps from the boiler connections.
3. Remove the wooden blocks from the bottom rails of the boiler.



## Mounting the Boiler and Making Connections *(continued)*

### Fitting the programming unit mounting bracket on the top of the boiler

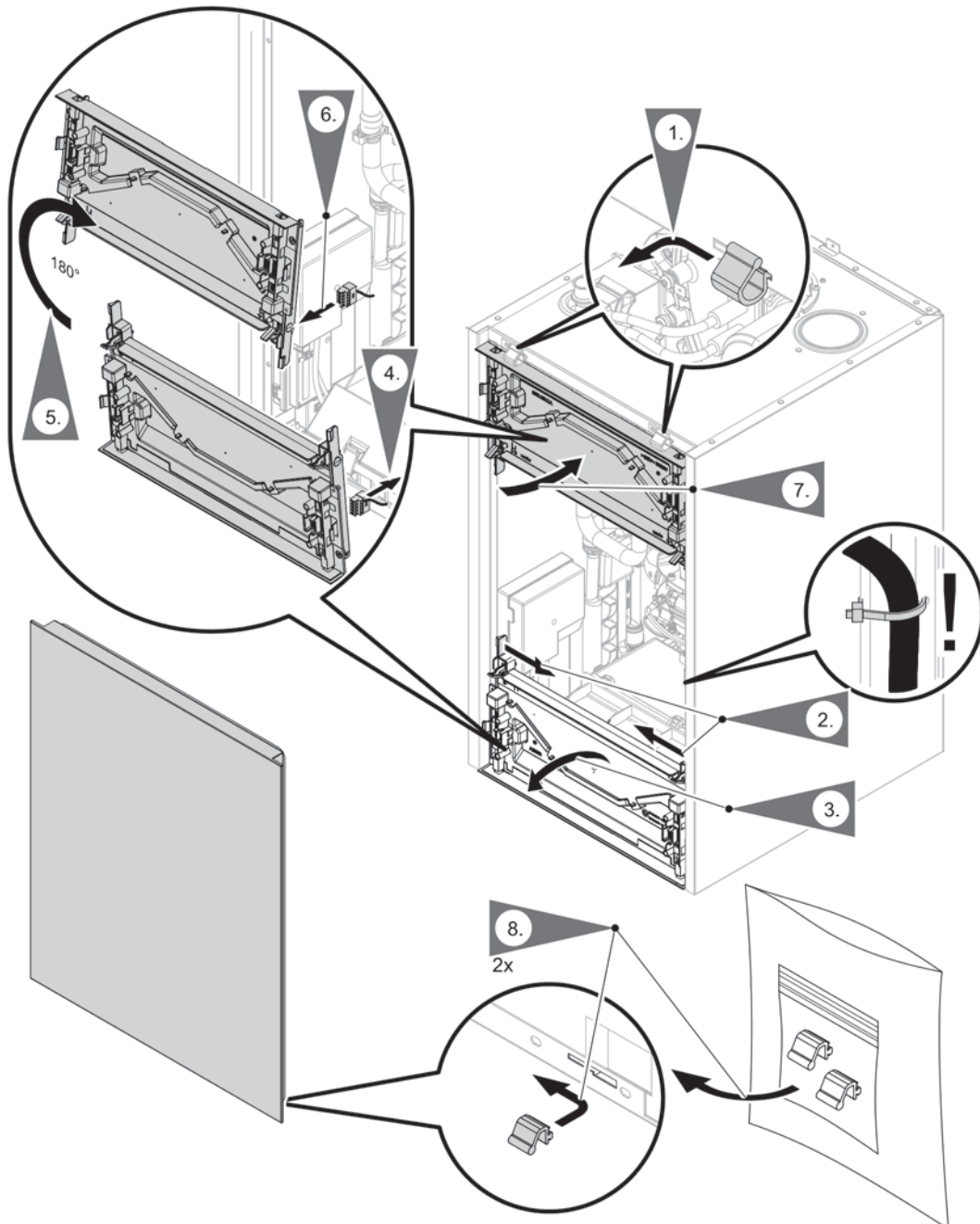
In the delivered condition, the programming unit is located on the underside of the boiler. If required for ease of operation, the programming unit can be located on the top of the boiler. To do so, reposition the bracket at the top.

1. Remove the hinges and store them in case they need to be reinstalled at a later date.
2. Pull in the tabs to release the control housing.
3. Pull forward on the control housing to remove it from the jacketing.

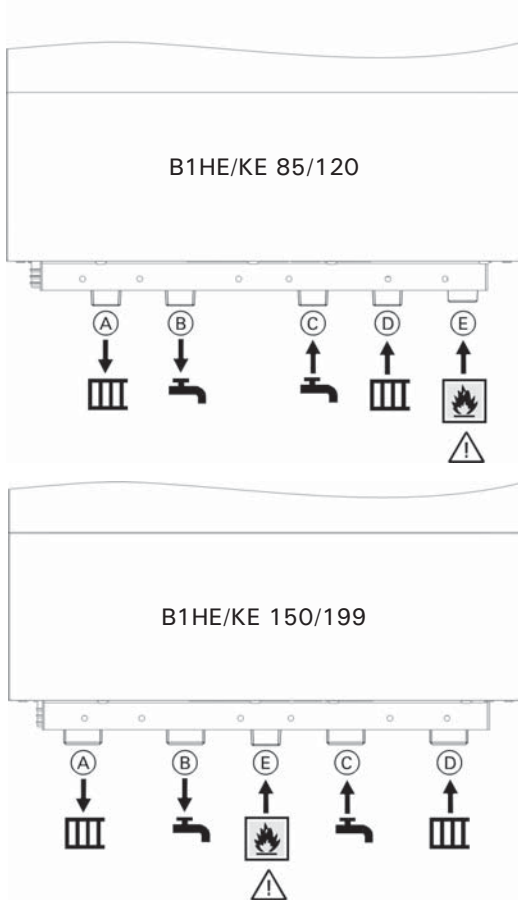
4. Disconnect the plug of the connecting cable from the bracket.

**Note:** Incorrect routing of the cable can lead to heat damage and impairment of the EMC properties. Do not change the position of the cable or its fixture (fixing point on casing).

5. Rotate the control housing 180 degrees.
6. Insert the plug on the right-hand side again.
7. Re-install the control housing into the up jacket.
8. Install the clips provide into the openings in the bottom of the front cover.



**Mounting the Boiler and Making Connections** *(continued)*



**Connections on the heating water and DHW sides**

If the connections have not been fitted previously, make the connections on the heating water and DHW sides.

**Note:** If no tank is connected, close off the tank supply and return with caps (B1HE only).

**Note:** If the boiler is used for directly connected DHW only a bypass must be installed from boiler supply to boiler the boiler return.

**Legend**

- Ⓐ Heating system supply  
B1HE/B1KE 85, 120 3/4 in. NPT  
B1HE/B1KE 150, 199 1 in. NPT
- Ⓑ Tank heating supply (B1HE)/DHW (B1KE)  
B1HE/B1KE 85, 120 3/4 in. NPT  
B1HE/B1KE 150, 199 1 in. NPT
- Ⓒ Tank heating return (B1HE)/DCW (B1KE)  
B1HE/B1KE 85, 120 3/4 in. NPT  
B1HE/B1KE 150, 199 1 in. NPT
- Ⓓ Heating system return  
B1HE/B1KE 85, 120 3/4 in. NPT  
B1HE/B1KE 150, 199 1 in. NPT
- Ⓔ Gas connection NPT 3/4" (male thread)

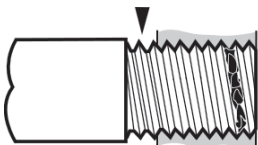
**! WARNING**

Exposing the boiler to pressures and temperatures in excess of those listed will result in damages, and will render warranty null and void.

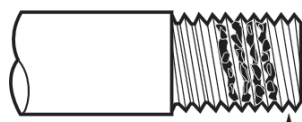
- Use a two-hand wrench method when tightening fittings or piping onto the boiler connectors. Use one wrench to prevent the boiler pipes from twisting and the second wrench to tighten the fitting or piping. Failure to support the boiler connection could damage the boiler and its internal piping.
- All plumbing must meet or exceed all local state and national plumbing codes.

**Piping Connections**

2 imperfect threads



Use moderate amount of dope



Leave 2 threads bare

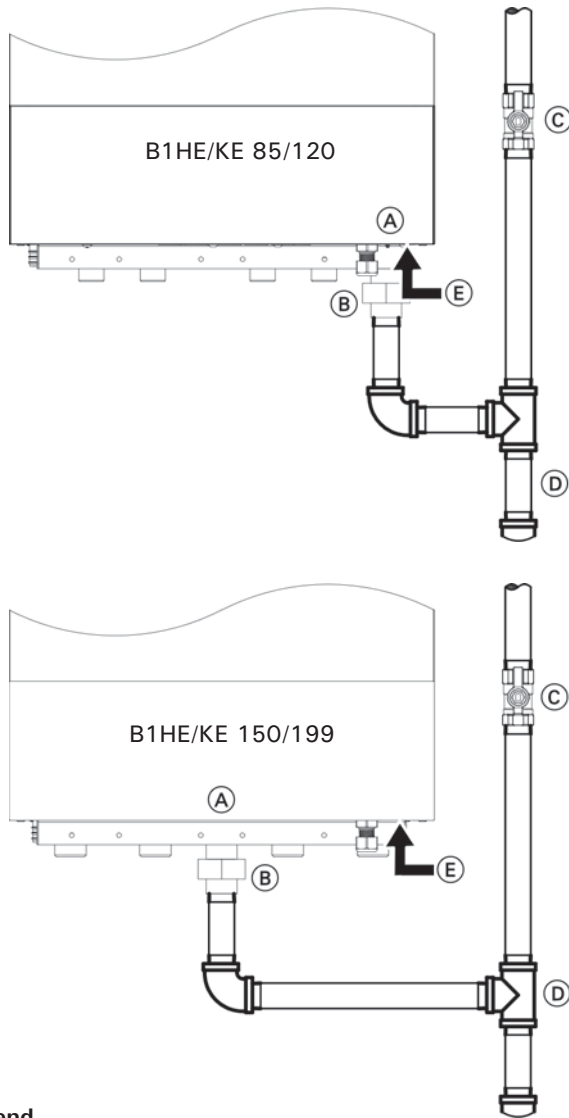
**Proper piping practice**

Support piping by proper suspension method. Piping must not rest on or be supported by boiler. See following page for details on gas connection and piping.

**! WARNING**

Do not damage the gas pipe!  
 The gas pipe must not come into contact with any other components in the appliance.  
 Keep the gas pipe from twisting during tightening by using the two wrench system. Do not use pliers!

**Piping Connections** *(continued)*



**Legend**

- (A) Gas connection to boiler
- (B) Union
- (C) Accessible manual gas shutoff
- (D) Drip leg
- (E) Boiler gas control switch

**IMPORTANT**

Max. gas supply pressure: 14 "w.c.  
 ½ psig = 14 "w.c.

**! WARNING**

Never check for gas leaks with an open flame.

**! WARNING**

Exposing boiler gas pressure regulator and gas valve to extreme pressures renders warranty null and void.

**Gas connection and piping** *(continued)*

1. Make gas connections in accordance with codes CAN/CSA B149.1 or 2 in Canada. In the United States, use the National Fuel Gas Code ANSI Z223.1/NFPA 54, as well as local codes for gas piping requirements and sizing. Pipe size to the boiler must be determined based on:
  - pipe length
  - number of fittings
  - maximum input requirements of all gas boilers in the residence.

**IMPORTANT**

Design piping layout in such a way that piping does not interfere with serviceable components.

2. Before connecting boiler to gas line, install ground joint union, capped drip leg and a manual equipment shutoff valve. Valves must be listed by a nationally recognized testing agency. Make boiler gas connection as shown on the left.

Gas connection (NPT).....Ø ¾ in.

3. Perform gas piping pressure test as described in the following subsection.
4. Identify shutoff valves as such with a tab and familiarize operator / ultimate owner of boiler with these valves.

**! WARNING**

The gas supply piping must be leak tested before placing the boiler in operation.

**! CAUTION**

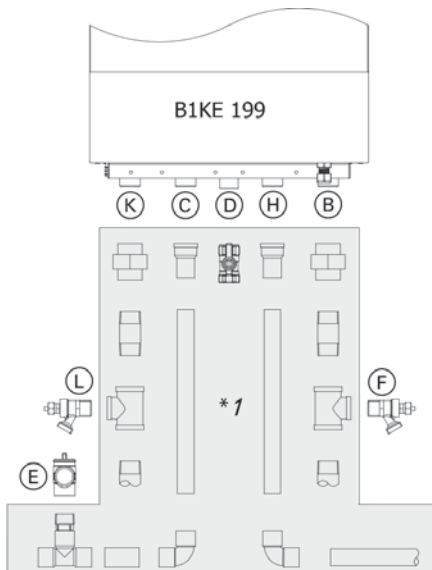
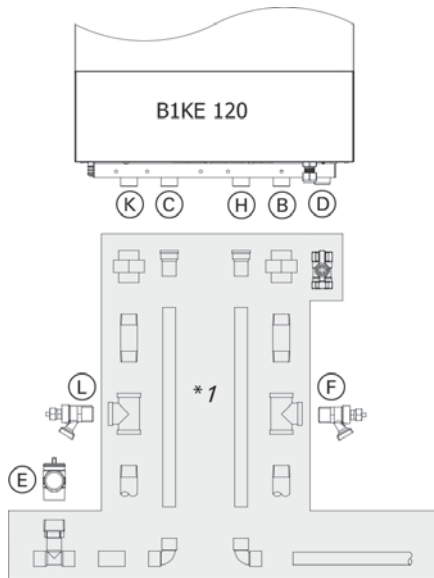
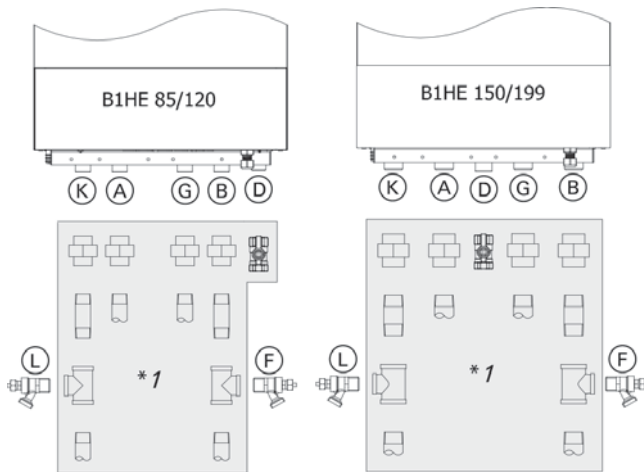
Ensure that gas piping is large enough for all boilers in the residence. No noticeable gas pressure drop in the gas line must occur when any unit (or combination of units) lights or runs.

**Gas piping pressure test**

When performing the gas piping pressure test, ensure the following requirements are met.

1. Isolate the boiler from the gas supply piping system using the individual manual shutoff valve during pressure tests equal to or less than ½ psig (14 "w.c.)
2. The boiler and its individual shutoff valve must be disconnected from the gas supply piping system during any pressure testing of that system at test pressures in excess of ½ psig (14 "w.c.)
3. Perform leak test. Use approved liquid spray solution for bubble test. Ensure that no liquid is sprayed on any electrical components, wires or connectors. Do not allow leak detection fluid to contact gas valve regulator or regulator vent opening.
4. Correct any and all deficiencies.
5. Remove air from gas line.

**Piping Connections** *(continued)*



**Heating water connections**

1. Thoroughly flush heating system (particularly before connecting the boiler to an existing system).
2. Connect boiler to the heating system.

**Note:** Use an approved pipe sealant or teflon tape when connecting the installation fittings.

Max. allowable working pressure (MAWP):

B1HE/KE 85/120 .....	45 psig (3 bar)
B1HE/KE 150/199 .....	60 psig (4 bar)

**! WARNING**

Exposing the boiler to pressures and temperatures in excess of those listed will result in damages, and will render warranty null and void.

- Use a two-hand wrench method when tightening fittings or piping onto the boiler connectors. Use one wrench to prevent the boiler pipes from twisting and the second wrench to tighten the fitting or piping. Failure to support the boiler connection could damage the boiler and its internal piping.
- All plumbing must meet or exceed all local state and national plumbing codes.

**IMPORTANT**

**SUPPORT ALL PIPING USING HANGERS. DO NOT support piping by the boiler or its components.**

- Use isolation valves to isolate system components.
- The B1HE DHW tank heating supply and return ports must be capped if the DHW tank is not used.

**General**

A distance of 2 in. (50 mm) from uninsulated hot water pipes to combustible components must be maintained. If the pipes are provided with a suitable pipe insulation of sufficient thickness and insulation, the distance mentioned above is not necessary (see also local gas regulations).

**Scald protection**

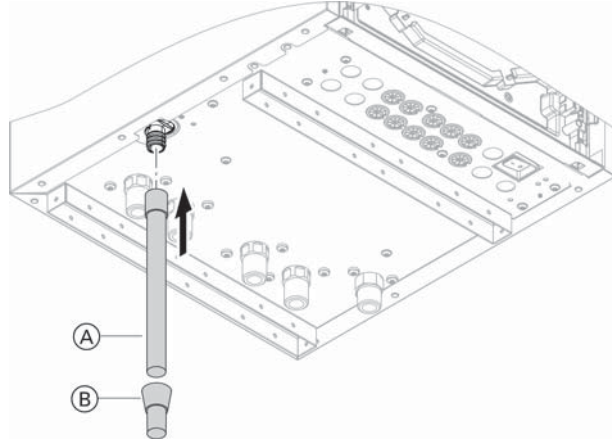
DHW temperatures of over 140°F (60°C) can occur with gas condensing combi boilers. As a result, scald protection should be installed on site in the DHW pipe.

**Legend**

- (A) Tank heating supply
- (B) Heating system return
- (C) DHW (B1KE only)
- (D) Gas connection
- (E) 150 psi DHW pressure relief valve (B1KE only)
- (F) Filling valve
- (G) Tank heating return
- (H) Connection cold water (B1KE only)
- (K) Heating system supply
- (L) Drain valve

\*1 Field supplied components

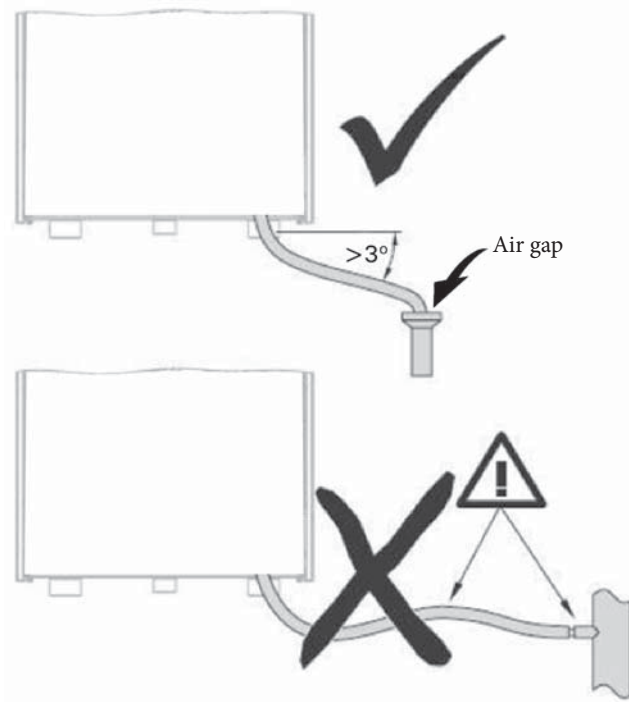
## Condensate Connection



**Legend**

- (A) Flexible discharge tubing
- (B) Discharge tubing

Condensate installation example:



**Condensate connection**

The Vitodens 100-W B1HE/KE boiler comes with a built-in condensate trap. An external trap is not required when connecting the field drain to flexible discharge tubing. Discharge tubing (field supplied) must be of 1 in. diameter. Use CPVC, PVC or other material approved by codes listed below.

The drain pipe and fittings must conform to ANSI standards and ASTM D1785 or D2846. CPVC or PVC cement and primer must conform to ASTM D2564 or F493. In Canada use CSA or ULC listed schedule 40 CPVC or PVC drain pipe, fittings and cement.

If the condensate outlet of the Vitodens 100-W boiler is lower than the drain, a condensate pump must be installed. Select a pump which is approved for condensing boiler applications. To avoid condensate spillage, select a pump with an overflow switch. The drain connection must terminate into an open or vented drain as close to the boiler as possible to prevent siphoning of the boiler drain.

1. Install the condensate drain pipe onto the boiler with a suitable gradient. Ensure that there is no unnecessary bends are created inside the boiler. Check tightness of siphon connection.

**IMPORTANT**

As shipped, the flexible discharge tubing A will be found with the installation fittings. Ensure the condensate drain pipe is installed and positioned to allow the condensate to properly drain.

2. Discharge condensate from the boiler into the vented drainage system, either directly or (if required) via a neutralization unit (accessory).



Installation Instructions of Neutralization Unit (if applicable)

**IMPORTANT**

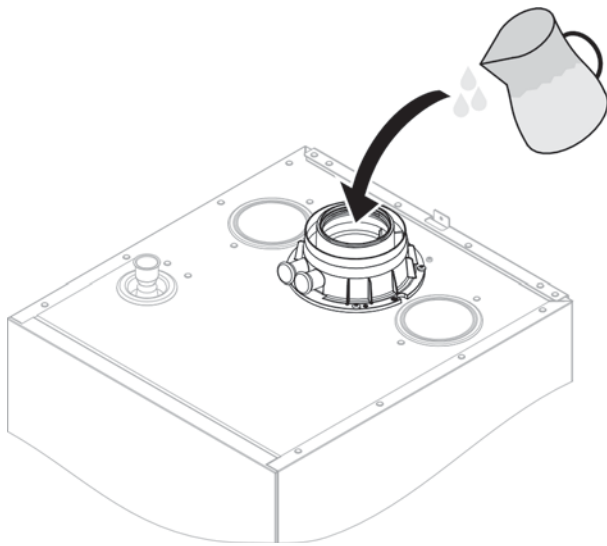
Pipe ventilation must take place between the siphon trap and the neutralization unit (if applicable).

**IMPORTANT**

Do not connect the drain pipe from any other boiler, such as water softener backwash pipe, to Vitodens condensate drain pipe.

3. Ensure the condensate discharge tubing is vented to the atmosphere prior to being plumbed into the neutralization unit.

## Condensate Connection *(continued)*



### Filling the trap with water

Pour at least 10 oz (0.3 L) of water into the flue gas connection.

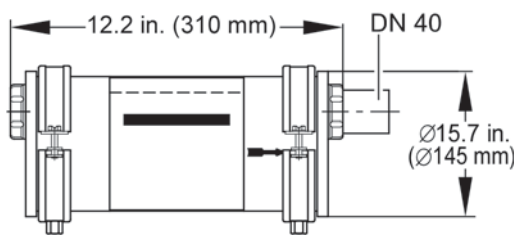
## IMPORTANT

During commissioning, flue gas may escape from the condensate drain.

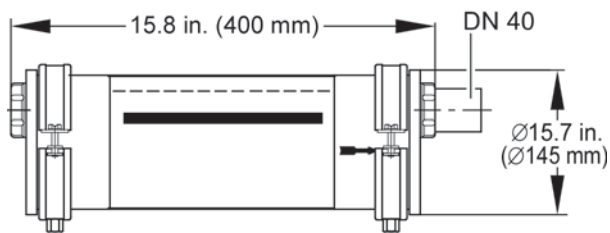
**Always fill the trap with water before commissioning.**

**Note:** If there is a risk of frost, only fill the trap just before commissioning.

## Neutralization Unit



for models B1HE/KE 85, 120



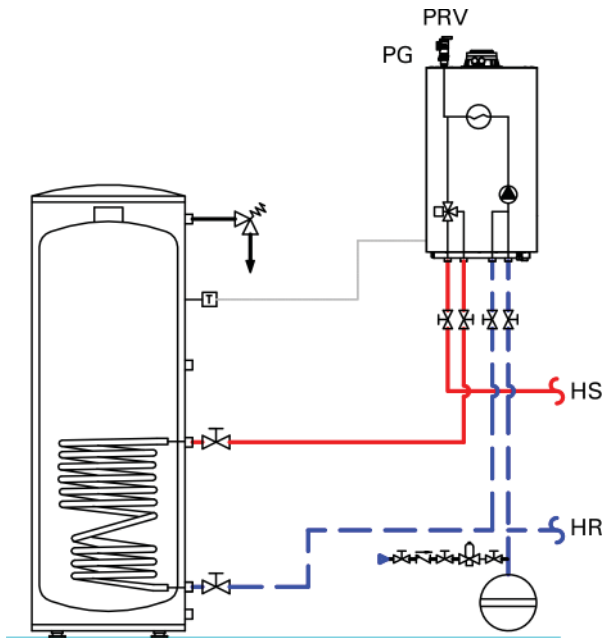
for models B1HE/KE 150, 199

**Neutralization Unit**  
with neutralizing granulate

**Neutralization Pellets**  
2 x 1.3 kg for refill or replacement purposes



## DHW Tank Connections



Vitodens 100-W B1HE boilers can be used in conjunction with the stand-alone DHW storage tanks offered by Viessmann.

For the connection of a stand-alone DHW tank, installation fittings (field supplied), and a DHW temperature sensor (supplied with boiler) or DHW temperature switch (field supplied) are required.

Size and select the DHW storage tank based on the forecasted DHW consumption of the building in question. For further technical information on DHW storage tanks, see the Vitocell Technical Data Manuals.

**Note:** the Vitodens 100-W B1HE can be used with a field supplied DHW temperature switch (i.e. Aquastat).

HS Heating system supply  
HR Heating system return

### DHW storage tank information

The DHW water tank sensor is required when using a stand-alone DHW storage tank with the Vitodens 100-W B1HE heating boiler. It comprises the sensor only required for the connection of a stand-alone tank.

All other required piping connections are field supplied.

## IMPORTANT

Apply sufficient amount of thread sealant (supplied) when making the connections.

### Making the DHW connections

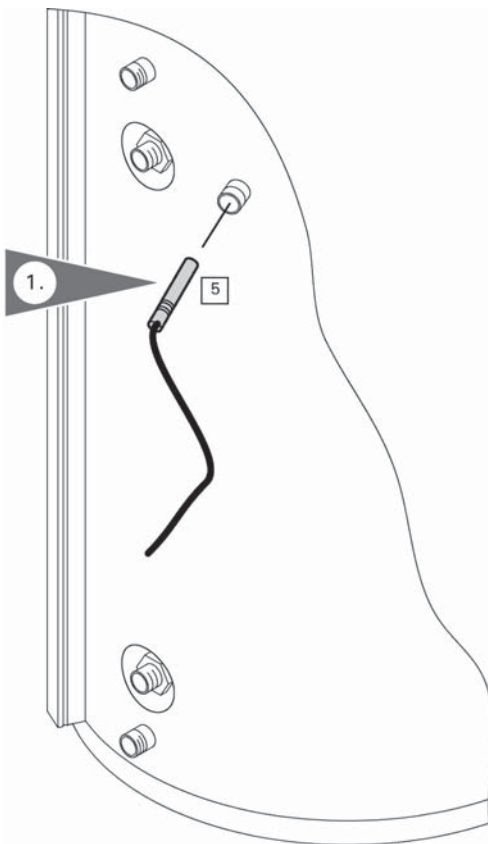
1. With a Vitocell 300 series tanks locate the DHW temperature sensor well and install the DHW temperature sensor **5** using the installation instructions provided with the DHW storage tanks.

## IMPORTANT

Follow the Installation Instructions supplied with the Viessmann DHW storage tank when mounting and securing DHW tank temperature sensor **5**.

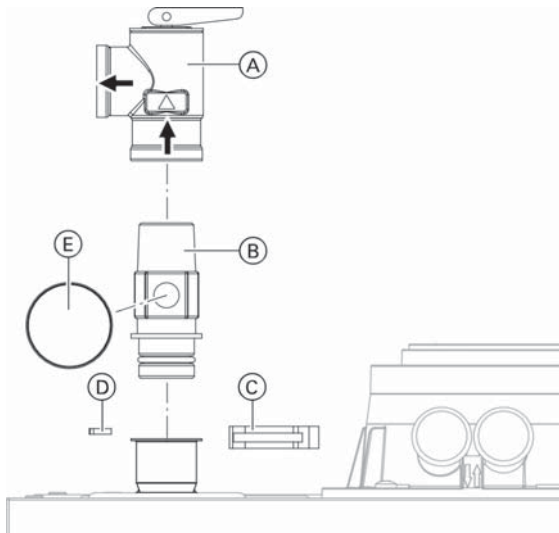
## ! WARNING

If a DHW storage tank other than a Viessmann Vitocell 300 tank is used, the installer must verify proper operation of the Viessmann DHW tank temperature sensor with original manufacturer of the tank. Viessmann strongly recommends the installation of a temperature tempering valve in the DHW supply line.





**Safety Valve**

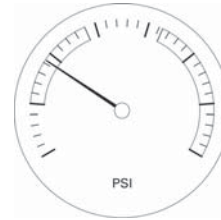


**Legend**

- (A) Safety valve
- (B) Brass adapter
- (C) Retaining clip
- (D) Cable ties
- (E) Pressure gauge

Fit the safety valve:

1. Install safety valve (A) onto brass adapter (B) and tighten.
2. Screw pressure gauge (E) onto brass adapter (B).
3. Fit brass adapter (B) to the boiler with retaining clip (C). Secure retaining clip (C) with cable tie (D).



The boiler water pressure reading is displayed on an analog gauge.

**! WARNING**

The pressure gauge is a sensitive component and may be damaged if the boiler connections are not supported by using a second wrench when tightening fittings and/or piping.

Minimum connection diameters:

- Pressure relief valve..... 3/4 in.
- Discharge pipe ..... 3/4 in.

**IMPORTANT**

Install the (approved) factory supplied pressure relief valve. Removal of air from the system must occur via use of air vent(s) in the system supply. To ensure the boiler can be purged of all air, ensure supply/return water lines do not contain restrictive piping where air could be trapped.

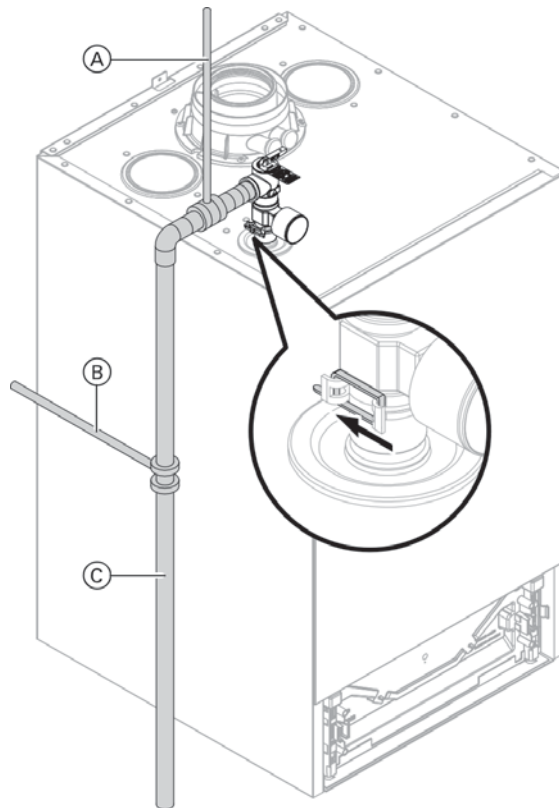
1. Install discharge pipe on pressure relief valve in such a way that...
  - the end of the pipe is not threaded.
  - the pressure relief discharge pipe extends to a floor drain and ends approximately 6 in. (150 mm) above the drain.
 Ensure that...
  - there is no shutoff valve installed in the discharge pipe.
  - discharge pipe diameter is not reduced.
  - discharge is not piped to outdoors.

**! WARNING**

Do not install an isolation valve between boiler and pressure relief valve. The discharge pipe for the pressure relief valve must be oriented to prevent scalding of attendants. Pipe pressure relief valve discharge pipe close to floor drain. Never pipe discharge pipe to the outdoors.

**Pressure relief valve discharge pipe**

The pressure relief valve discharge pipe (C) must be supported using either a ceiling mounted support (A) or a wall mounted support (B). Piping must be install free of stress.



**Legend**

- (A) Ceiling bracket (field supplied)
- (B) Wall mounting bracket (field supplied)
- (C) Drain pipe (field supplied)

6167 818 - 07

## Flue Gas Connection

### WARNING

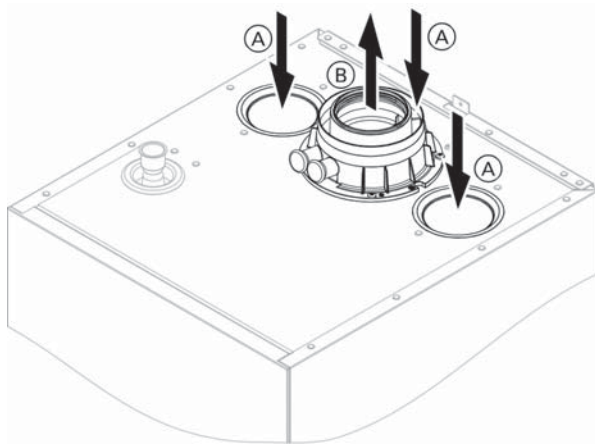
Leaking or blocked flue systems, or an inadequate supply of combustion air can cause life threatening poisoning from carbon monoxide in the flue gas. Ensure the flue system is in good working order. Vents for supplying combustion air must be nonclosable. Prevent condensate drainage via a wind protector.



Refer to the Vitodens Venting System installation instructions

Only carry out commissioning when the following conditions have been met:

- Unrestricted flow in the flue gas routes.
- Positive pressure flue system is gas-tight.
- Inspection port covers checked for secure and tight seating.
- Apertures for supplying sufficient combustion air are open and cannot be closed.
- All current regulations on installing and commissioning flue systems have been observed.

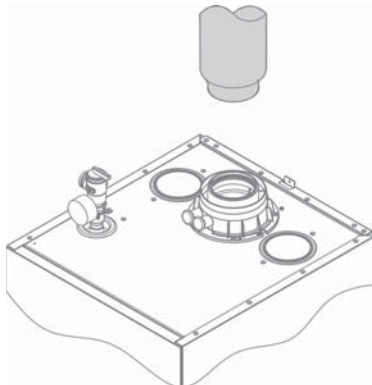


1. Do not damage the sealing lip on the outside ring of the sealing plug. Carefully detach the inner part of the sealing plug, preferably without using a tool.
2. **Note:** If the boiler is direct vent with a two pipe system, the coaxial vent seal must be fitted!

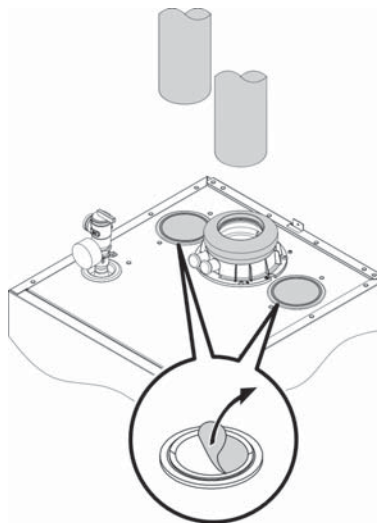
For direct vent applications the combustion air gaskets position can be interchanged. One gasket is sized for a 3½ in. (89 mm) outside diameter (for CPVC/PVC/ABS), combustion air piping the other is sized for a 3⅝ in. (80 mm) (for PPs) outside diameter combustion air piping.

#### Legend

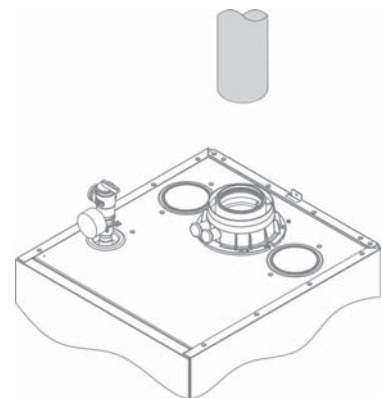
- (A) Combustion air
- (B) Flue gas



Coaxial

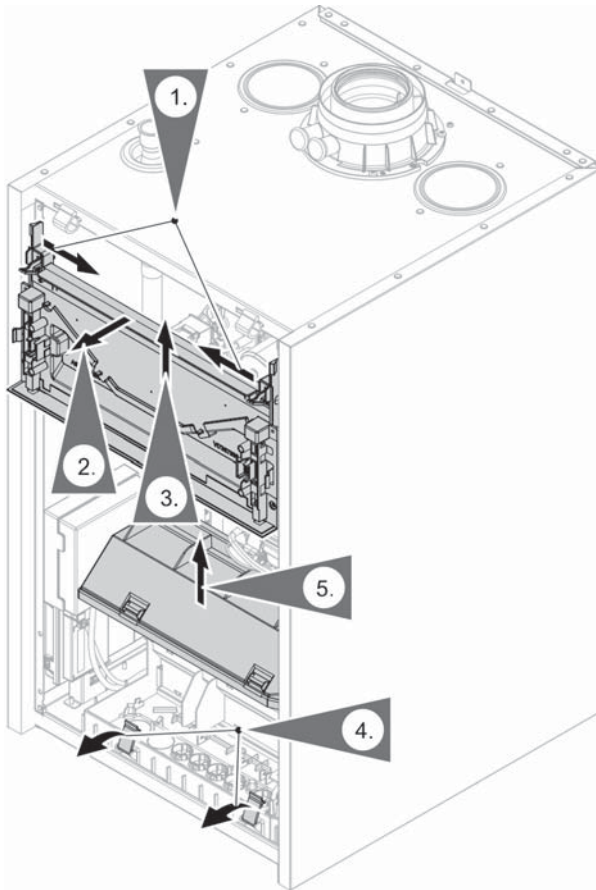


Direct Vent



Room Air Dependant

# Electrical Connections



### Opening the junction box

## IMPORTANT

Electronic assemblies can be damaged by electrostatic discharge.

Before beginning work, touch grounded objects, such as water pipes, to discharge any static.

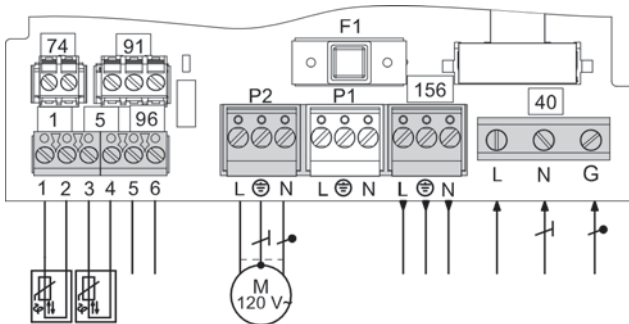
Placing the control base in the service position

1. Release tabs on the boiler control base.
2. Pull the control base straight out.
3. Place the control base in the service position, there are positioning tabs located at the rear of the control base to be aligned with the holes in the boiler jacket and lock in place with the control base clips.

Note: Steps 1 to 3 are required only if the programming unit is located at the bottom.  
Do not disconnect the plug from the mounting panel.  
Do not change the position of the cable or its strain relief on the boiler jacketing

Opening the junction box

4. Release junction box cover clamps.
5. Lift the junction box cover.



### Layout of the electrical connections

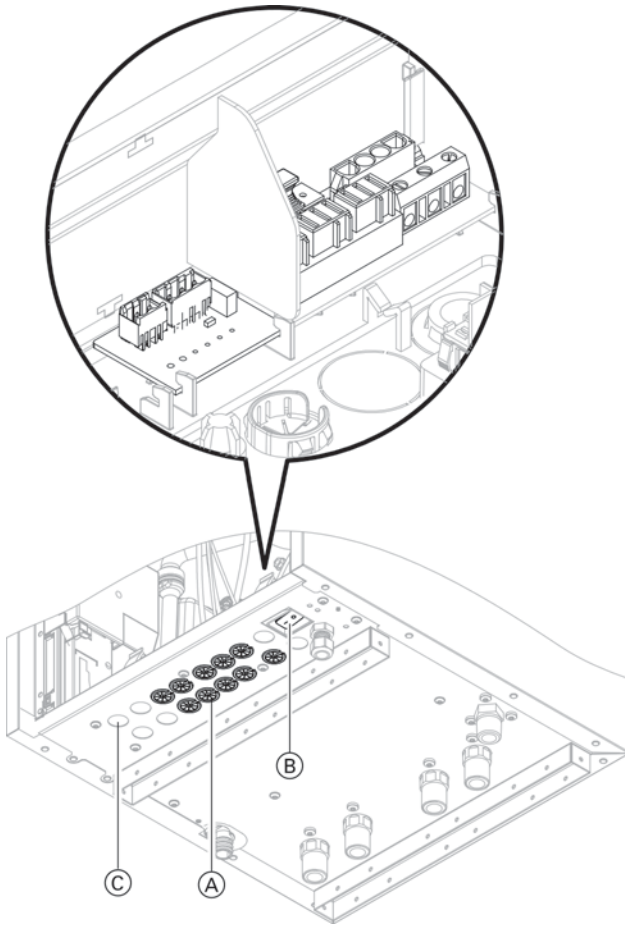
Note: For further information on the connections, see the following chapters.



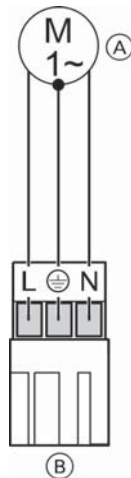
Note on connecting accessories  
When connecting accessories observe the separate installation instructions provided with them.

- 40 Power cable (already connected)
- 156 Switched power outlet (max. 36 watts)
- P1 Output 120V for:  
DHW pump
- P2 Output 120V for:  
Circulation pump for zone control (call for heat pump)
- 91 CAN bus (no function)
- 74 PlusBus (no function)
- 1 Outside temperature sensor, terminals 1 and 2
- 5 Tank temperature sensor, terminals 3 and 4
- 96 Call for heat, terminals 5 and 6

**Electrical Connections** *(continued)*



View of boiler up to 120 MBH  
 (A) Diaphragm grommets, 120V cables  
 (B) ON/OFF switch  
 (C) Knockouts for 120VAC connections



**Legend**  
 (A) Circulation pump  
 (B) Plug P1/P2 on the wiring panel

**On-site connections to the HMU heat management unit**

- Required plugs are supplied in separate packaging.
- For cables without strain relief bushings, provide strain relief in the junction box in the form of cable ties.

**Outside temperature sensor** [1]

Sensor location:

- North or northwest wall of building
- 80 to 100 in. (2 to 2.5 m) above ground or in case of a multi-storey building approximately halfway up the second floor

Electrical connection:

- 2-wire cable, max. cable length 115 ft. (35 m) with a wire size of min. AWG 16 copper
- Cable to the outdoor sensor must not be laid near line voltage wiring (120VAC or greater)

**Connecting the tank temperature sensor (B1HE only)**

Connect tank temperature sensor [5] to terminals 3 and 4 on the wiring panel. See page 25.

**Note:** Alternatively, a “temperature switch” (Aquatat) can be connected.

**CAUTION**

Under certain climatic conditions some building materials may be affected by flue products expelled in close proximity to unprotected surfaces. Sealing or shielding of the exposed surfaces with a corrosion resistant material (e.g. aluminum sheeting) may be required to prevent staining or deterioration. The protective material should be attached and sealed (if necessary) to the building before attaching the vent termination. It is strongly recommended to install the vent termination on the leeward side of the building.

**Connecting the circulation pump to P1 and P2**

**Note:** Observe the priority of the connections.

- Possible connections to P1 and priority of connections: DHW pump or DHW recirculation pump.
- Possible connections to P2 and priority of connections: Circulation pump for zone control

The function of connections P1 and P2 is selected in the commissioning assistant by selecting the connected component in the system scheme.

**Specification**

Rated current	2A
Rated voltage	120V ~

## Electrical Connections *(continued)*

### Floating switching contact connection

Connection to plug 96 – terminals 5 and 6.

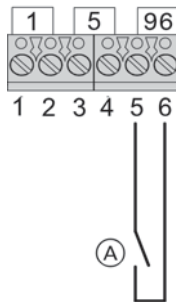
The following function can be connected:

Call for heat.

Contact closed – demand for set target value.

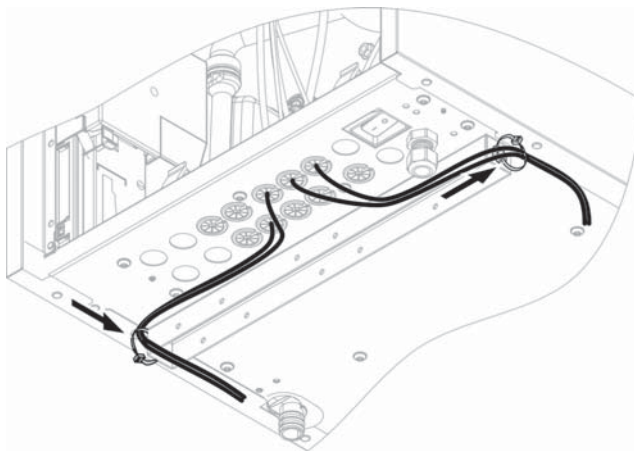
The boiler and heating circuit pump are switched on.

Contact open – no demand, no heating operation, no frost protection.



### Legend

(A) Dry contact



### Assigning functions in the commissioning assistant

See commissioning assistant in "Commissioning".

### Routing connecting cables/leads

Bundle cables using cable ties.

Route low voltage cables separately from 120V~ cables.

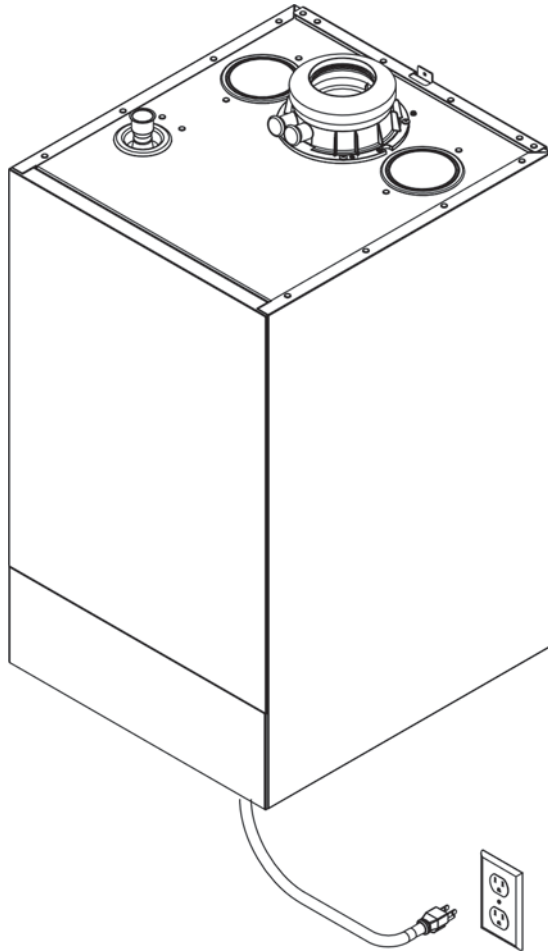
Secure the cables on the underside using the supplied cable ties.

Do not route cables over sharp edges.

## IMPORTANT

If connecting cables/leads come into contact with hot components, they will be damaged.

When routing and securing cables/leads on site, ensure that the maximum permissible temperatures for these cables/leads are not exceeded.

**Electrical Connections** *(continued)*

The Vitodens 100-W comes with a pre-installed convenience plug for the boiler power supply, if required this convenience plug can be removed in the junction box for field wiring of the boiler power supply requirements:

120VAC/60Hz/12A

Refer to the wiring diagram on page 97.

**! WARNING**

Incorrectly executed electrical installations can result in injuries from electrical current and in damage to the boiler.

**! WARNING**

The control must be grounded.  
Ensure that 'L', 'N' and 'G' are not interchanged.

**IMPORTANT**

Electrical installations must comply with the latest edition of:

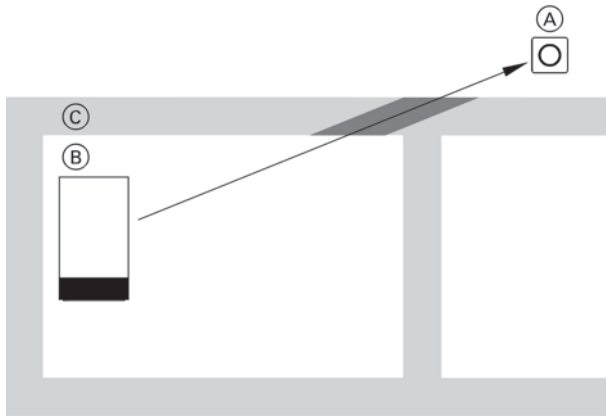
- In the U.S.A., the National Electrical Code (NEC), ANSI/NFPA 70 and any other state, local codes and/or regulations.
- In Canada, the Canadian Electrical Code (CEC), CSA C22.1 Part 1 and any other province, territory, local codes and/or regulations.



## WiFi Operational Reliability and System Requirements

### WiFi router system requirement

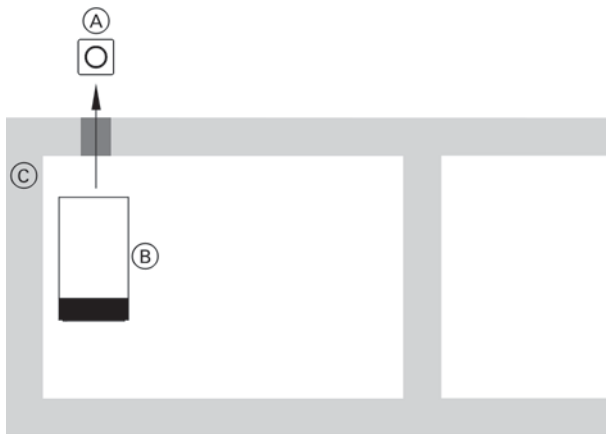
- WiFi router with activated WiFi:
  - The WiFi router must be protected by a sufficiently secure WPA2 password.
  - The WiFi router must always have the latest firmware update.
  - Do not use unencrypted connections between the boiler and the WiFi router.
- Internet connection with high availability:
  - Flat rate (flat rate tariff without restriction on time or data volume)
- Dynamic IP addressing (DHCP, factory setting) in the network (WiFi):
  - Have this checked on site, and if required set up, by an IT expert prior to commissioning.
- Set routing and security parameters in the IP network (LAN):
  - Enable port 80, port 123, port 443 and port 8883 for direct outward connections.
  - Have this checked and, if necessary, set up on site by an IT expert before commissioning.



Flat (unfavourable) angle of penetration

#### Legend

- (A) WiFi router
- (B) Boiler
- (C) Wall



Ideal angle of penetration

#### Legend

- (A) WiFi router
- (B) Boiler
- (C) Wall

### Wireless signal range of WiFi connection

The range of wireless signals may be reduced by walls, ceilings and interior fixtures. These weaken the wireless signal, causing poor reception due to the following circumstances.

- On their way between transmitter and receiver, wireless signals are damped, e.g. by air or when penetrating walls.
- Wireless signals are reflected by metallic objects, e.g. reinforcements embedded in walls, metal foil of thermal insulation and thermal glazing with metallized thermal vapour deposit.
- Wireless signals are isolated by service ducts and lift shafts.
- Wireless signals are disrupted by devices that also operate with high frequency signals. Maintain a distance of at least 6 ft (2 m) from these devices:
  - Computers
  - Audio and video systems
  - Devices with active WiFi connection
  - Electronic transformers
  - Pre-ballasts

Install the boiler as close as possible to the WiFi router to ensure a good WiFi connection. The signal strength can be displayed on the boiler (see the operating instructions).

**Note:** The WiFi signal strength can be increased with commercially available WiFi repeaters.

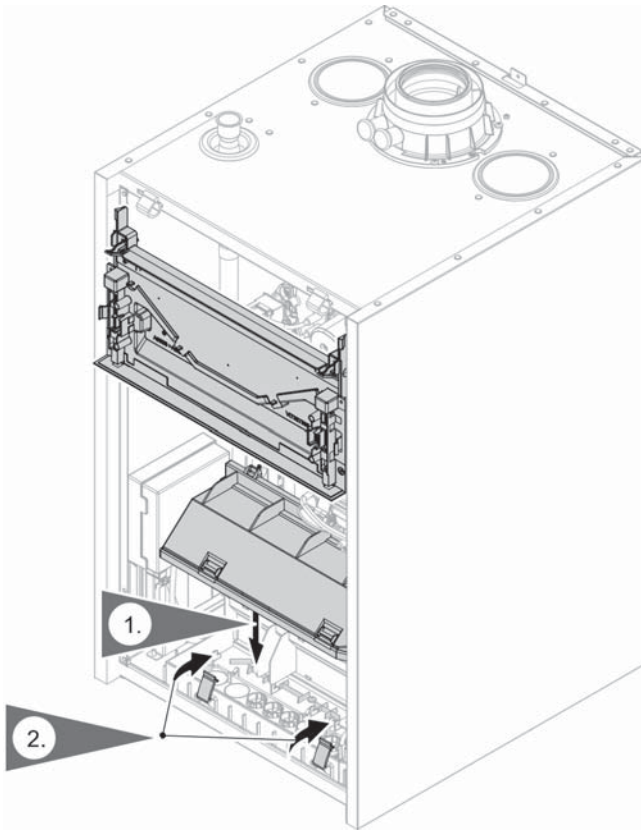
### Angle of penetration

The reception quality remains best if wireless signals hit the walls vertically.

Depending on the angle of penetration, the effective wall thickness changes and so does the extent to which the electromagnetic waves are damped.



## Closing the Junction Box



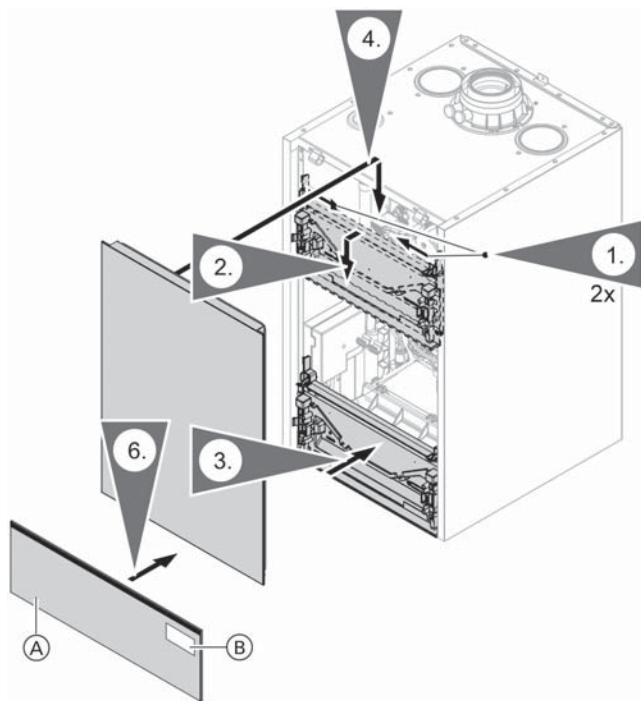
### IMPORTANT

Do not operate the control unit without a “junction box lid”. The junction box lid in the control unit enclosure separates the mains and extra low voltage potential and seals it off from the air box.

The junction box lid must be fitted when replacing the control unit or closing the control unit enclosure.

1. Place the junction box lid on the junction box.
2. Secure in place with latches.

## Fitting the Programming Unit and Front Panel



### Programming unit located at the bottom

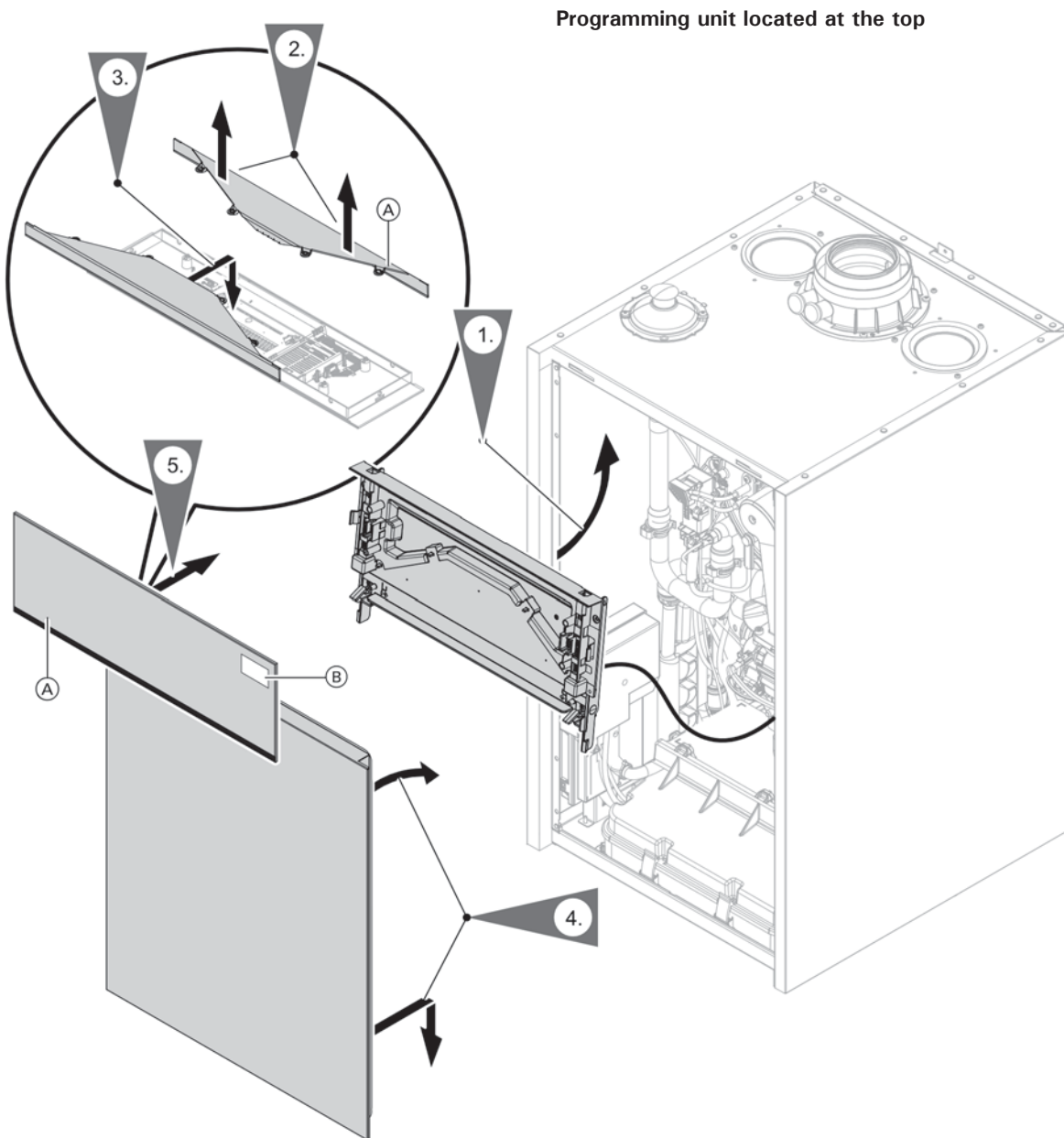
1. Release the tabs on the boiler control base.
2. Pull the control base straight out.
3. Re-install the control base into the base of the boiler.  
**Note:** steps 1 to 3 are only required if the control base is in the service position.
4. Install the front panel.
5. Install the programming unit in the control base.

**Note:** Before installing the programming unit remove the WiFi labels from the back of the programming unit and apply one label (B) on the programming unit, one in these instructions and one in the operating instructions.

### Legend

- (A) Lightguide (at the top)
- (B) WiFi label

## Fitting the Programming Unit and Front Panel *(continued)*



### Legend

- Ⓐ Lightguide (at the top)
- Ⓑ WiFi label

1. Install the mounting panel for the programming unit at the top. See page 16.  
Reconnect the plugs to the mounting panel on the right. Do not alter where and how the cable is secured (fixing point of the cable tie).
2. Pull Lightguide Ⓐ out of all 4 detents at once and remove. As you do so, pull it upwards between 2 detents, in the middle and at the same time. Ensure that the locking tabs do not break off.

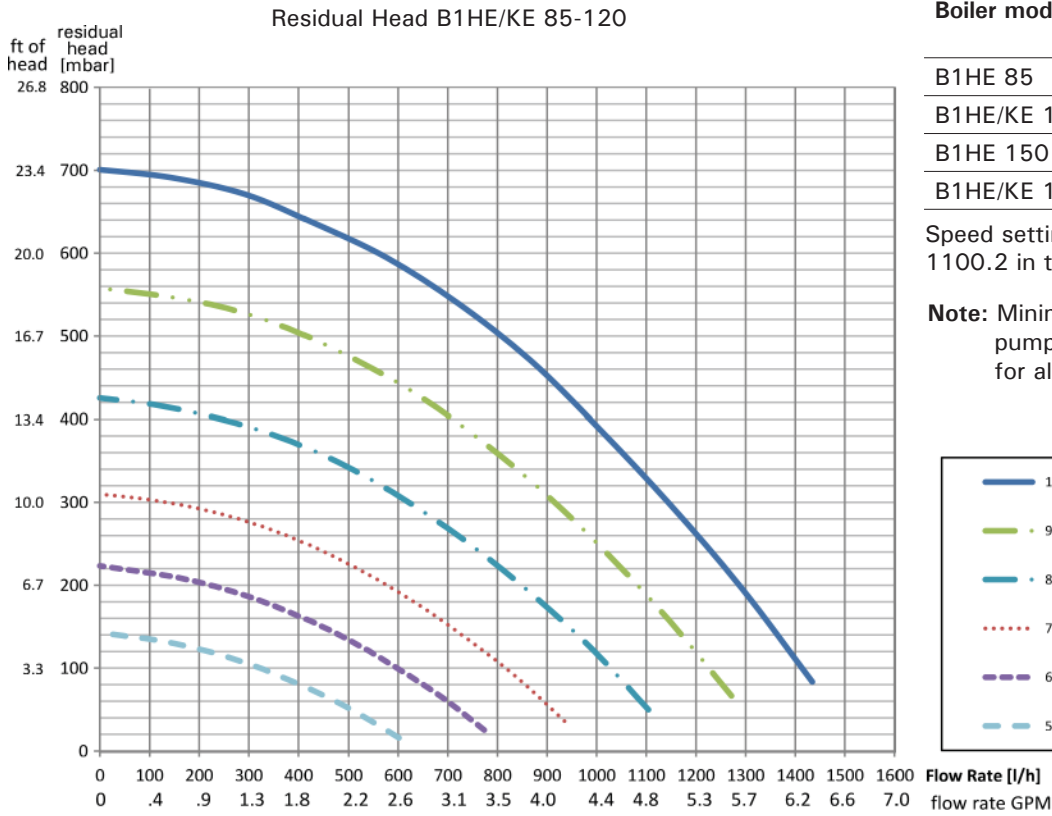
3. Turn Lightguide Ⓐ around and clip it into place at the bottom of the programming unit.
4. Fit the front panel.

### IMPORTANT

**The front panel also serves to seal off the air box. Ensure the front panel is seated correctly.**

5. Fit the programming unit with Lightguide Ⓐ at the bottom.

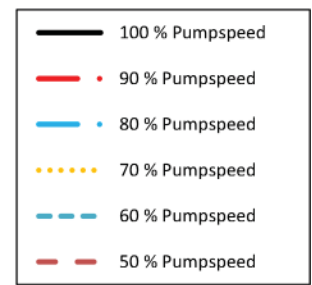
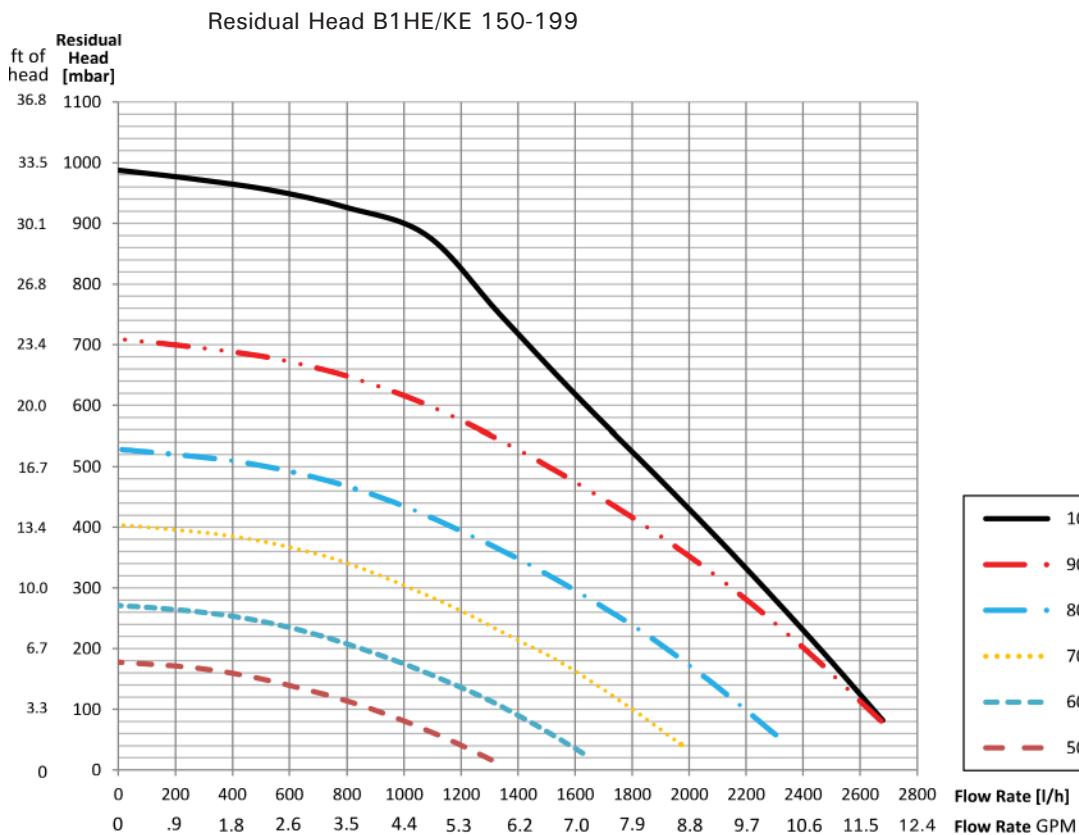
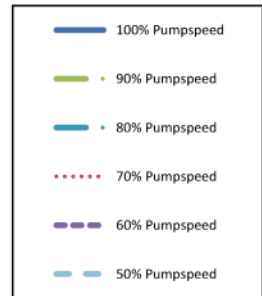
# Adjusting Pump Rate of Integrated Circulation Pump



Boiler model	Factory-set speed settings in %
B1HE 85	80
B1HE/KE 120	100
B1HE 150	70
B1HE/KE 199	85

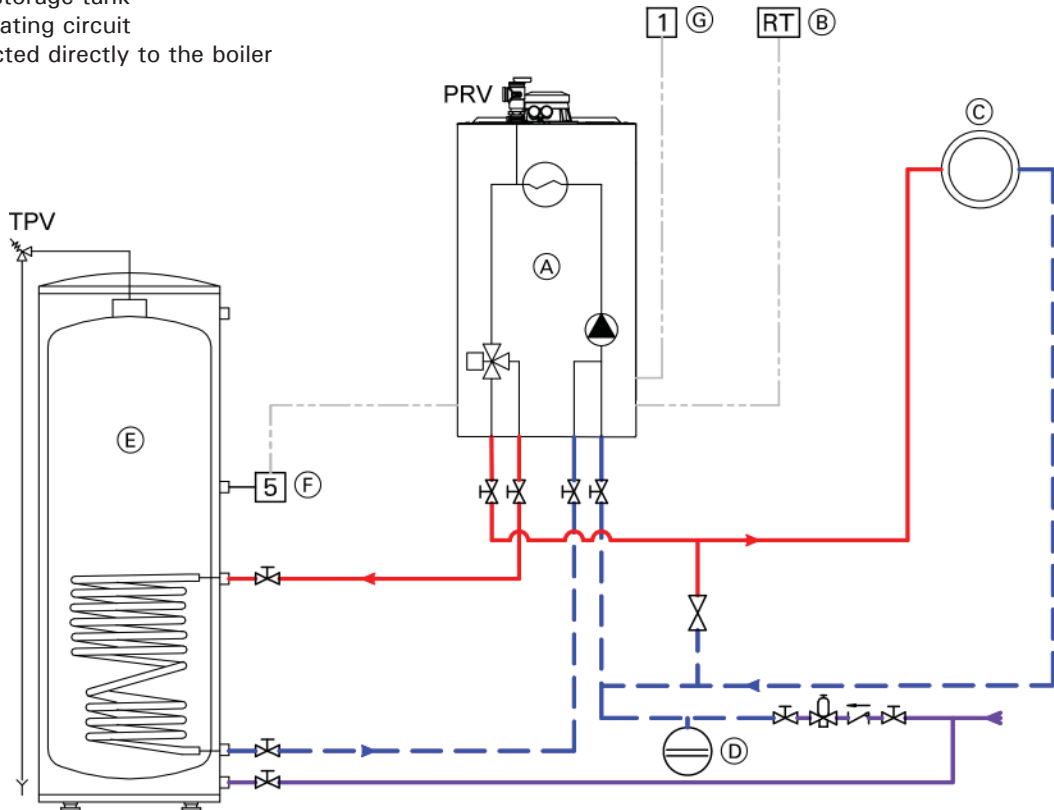
Speed setting (%): Parameter 1100.2 in the Boiler group

**Note:** Minimum adjustment of boiler pump speed setting is 50% for all models.



# System Layout 1

- Vitodens 100-W, B1HE 85, 120, 150, 199 with
- DHW storage tank
  - one heating circuit connected directly to the boiler



### Legend

- PRV Pressure relief valve
- TPV Temperature and pressure relief valve
- (A) Vitodens 100-W gas fired condensing boiler
- (B) External boiler controller with room thermostat connection (field supplied)
- (C) Heating circuit
- (D) Expansion tank
- (E) DHW storage tank
- (F) DHW tank temperature sensor (or DHW temperature switch)
- (G) Outdoor temperature sensor

**Note:** Refer to the residual head curves on page 32.

The use of a low-loss header is recommended if the water flow rate is above or below the operating range.

The low-loss header is available as accessory part.

## IMPORTANT

Ensure that a pressure activated by-pass is installed if there are system component(s) in (C) that may isolate the flow to the pump.

### Maximum Flow Rates

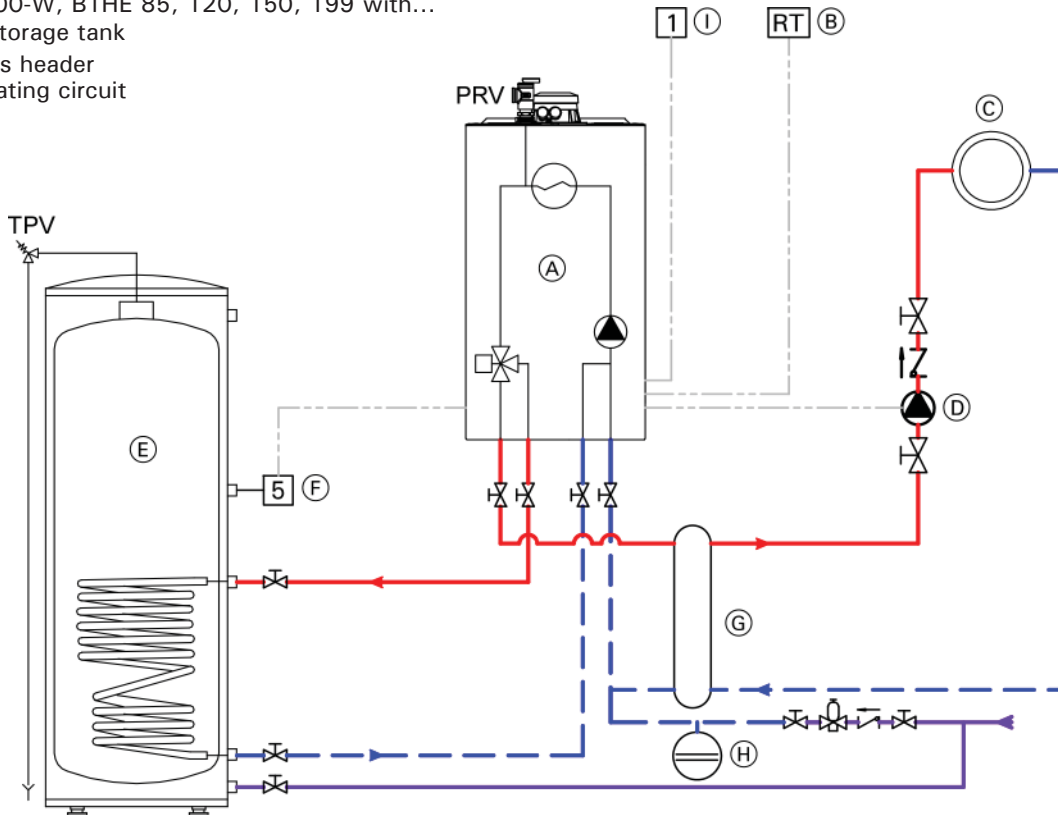
Model B1HE		85	120	150	199
Output	MBH	80	113	141	187
$\Delta t$					
30°F (17°C) rise	GPM (L/h)	5.3 (1204)*	7.5 (1703)*	9.4 (2135)*	12.5 (2839)*
35°F (19.5°C) rise	GPM (L/h)	4.6 (1045)	6.5 (1476)*	8.1 (1840)	10.7 (2430)*
40°F (22°C) rise	GPM (L/h)	4.0 (908)	5.7 (1295)	7.1 (1613)	9.4 (2135)

\* Requires low loss header or closely spaced tees.

## System Layout 2

Vitodens 100-W, B1HE 85, 120, 150, 199 with...

- DHW storage tank
- low-loss header
- one heating circuit



### Legend

- PRV Pressure relief valve
- TPV Temperature and pressure relief valve
- (A) Vitodens 100-W gas-fired condensing boiler
- (B) External boiler controller with room thermostat connection (field supplied)
- (C) Heating circuit
- (D) Heating circuit pump [P2]
- (E) DHW storage tank
- (F) DHW tank temperature sensor (or DHW temperature switch)
- (G) Low-loss header
- (H) Expansion tank
- (I) Outdoor temperature sensor

**Note:** Refer to the residual head curves on page 32.  
 The use of a low-loss header is recommended if the water flow rate is above or below the operating range.  
 The low-loss header is available as accessory part.

### IMPORTANT

DHW supply and return piping between boiler DHW connections and the Viessmann DHW tank connections, shall be a minimum of 1¼ in. nominal pipe diameter.

This ensures that the head of the pump is fully utilized to overcome the resistance of the DHW heat exchanger coil and to provide sufficient water flow to the boiler heat exchanger.

In non-Viessmann DHW tank applications, perform, in addition to the above, accurate calculations for DHW tank coil pressure drop versus boiler pump head to ensure sufficient water flow to the boiler heat exchanger.

Failure to heed the above instructions may cause boiler short-cycling and inadequate DHW supply.

### Maximum Flow Rates

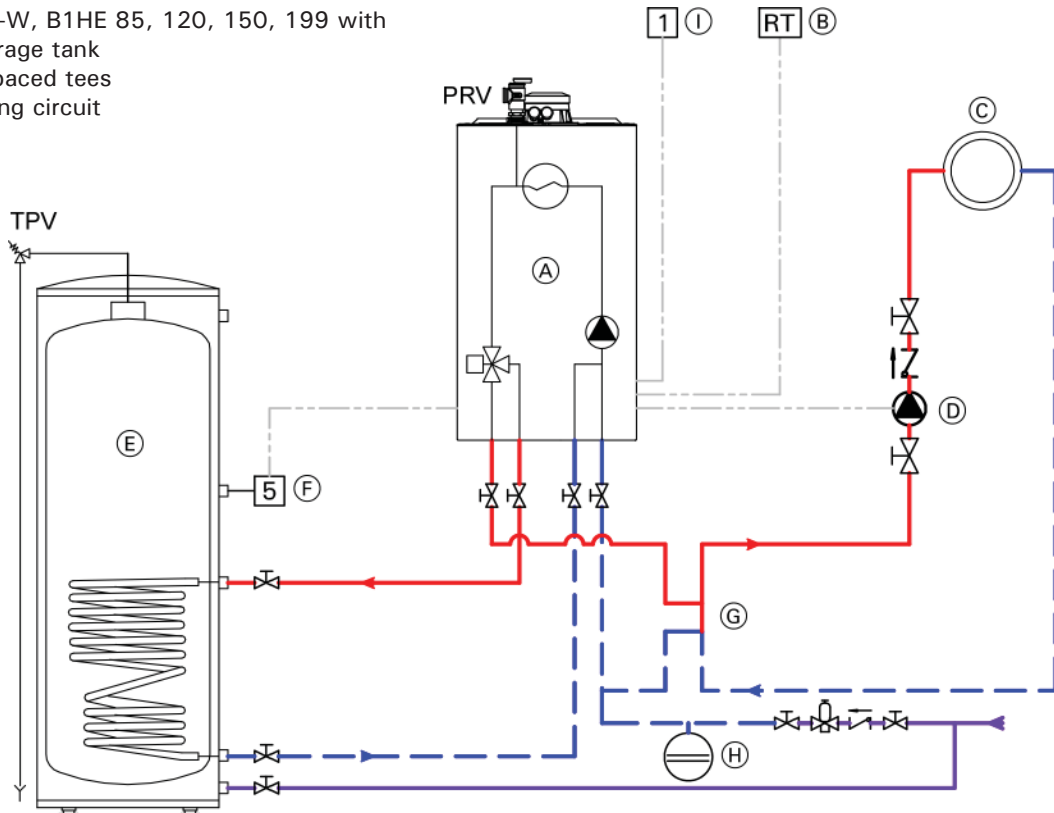
Model B1HE		85	120	150	199
Output	MBH	80	113	141	187
Δ t					
30°F (17°C) rise	GPM (L/h)	5.3 (1204)*	7.5 (1703)*	9.4 (2135)*	12.5 (2839)*
35°F (19.5°C) rise	GPM (L/h)	4.6 (1045)	6.5 (1476)*	8.1 (1840)	10.7 (2430)*
40°F (22°C) rise	GPM (L/h)	4.0 (908)	5.7 (1295)	7.1 (1613)	9.4 (2135)

\* Requires low loss header or closely spaced tees.

### System Layout 3

Vitodens 100-W, B1HE 85, 120, 150, 199 with

- DHW storage tank
- closely spaced tees
- one heating circuit



**Legend**

- PRV Pressure relief valve
- TPV Temperature and pressure relief valve
- (A) Vitodens 100-W gas-fired condensing boiler
- (B) External boiler controller with room thermostat connection (field supplied)
- (C) Heating circuit
- (D) Heating circuit pump P2
- (E) DHW storage tank
- (F) DHW tank temperature sensor (or DHW temperature switch)
- (G) Closely spaced tees, 4x pipe Ø or 12 in. (305 mm) \*1
- (H) Expansion tank
- (1) Outdoor temperature sensor

\*1 A low-loss header offers additional benefits not provided by a pair of closely spaced tees. Viessmann strongly recommends and prefers the use of a low-loss header over closely spaced tees.

**Note:** Refer to the residual head curves on page 32. The use of a low-loss header is recommended if the water flow rate is above or below the operating range. The low-loss header is available as accessory part.

**IMPORTANT**

**DHW supply and return piping between boiler DHW connections and the Viessmann DHW tank connections, shall be a minimum of 1¼ in. nominal pipe diameter.**

**This ensures that the head of the pump is fully utilized to overcome the resistance of the DHW heat exchanger coil and to provide sufficient water flow to the boiler heat exchanger.**

**In non-Viessmann DHW tank applications, perform, in addition to the above, accurate calculations for DHW tank coil pressure drop versus boiler pump head to ensure sufficient water flow to the boiler heat exchanger.**

**Failure to heed the above instructions may cause boiler short-cycling and inadequate DHW supply.**

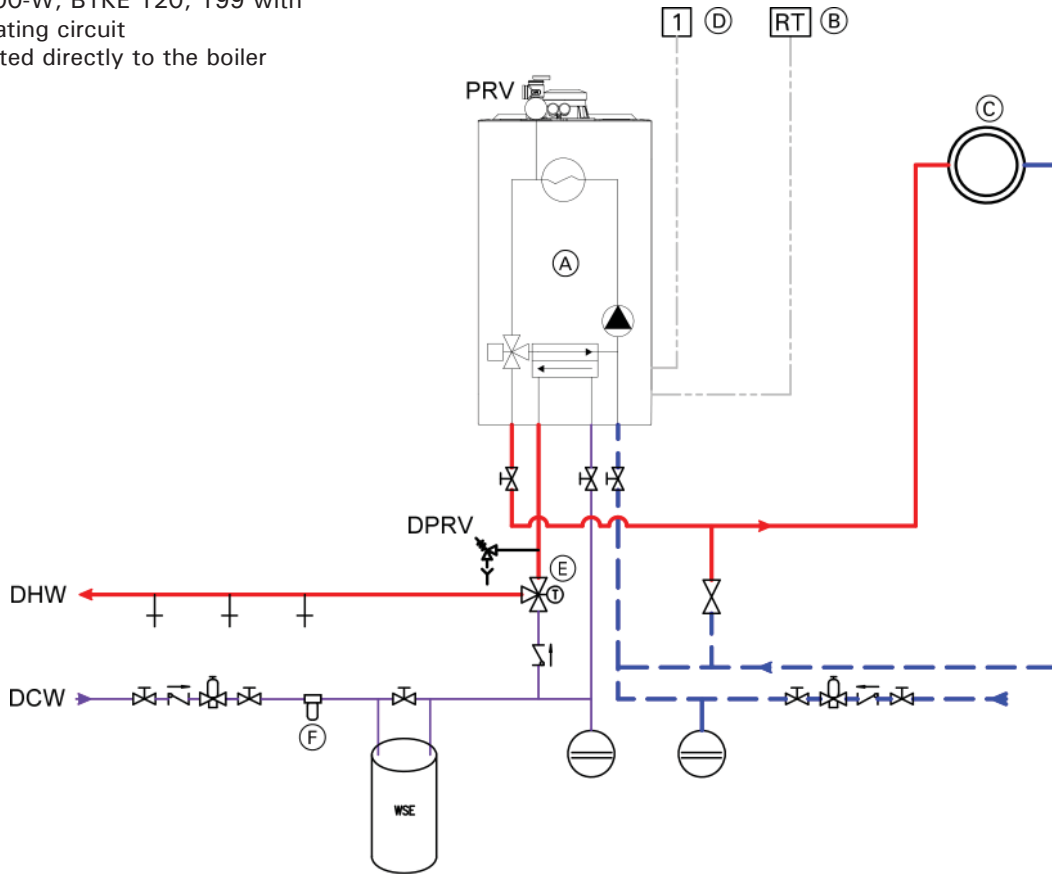
**Maximum Flow Rates**

Model B1HE		85	120	150	199
Output	MBH	80	113	141	187
Δ t					
30°F (17°C) rise	GPM (L/h)	5.3 (1204)*	7.5 (1703)*	9.4 (2135)*	12.5 (2839)*
35°F (19.5°C) rise	GPM (L/h)	4.6 (1045)	6.5 (1476)*	8.1 (1840)	10.7 (2430)*
40°F (22°C) rise	GPM (L/h)	4.0 (908)	5.7 (1295)	7.1 (1613)	9.4 (2135)

\* Requires low loss header or closely spaced tees.

# System Layout 4

Vitodens 100-W, B1KE 120, 199 with  
 - one heating circuit  
 connected directly to the boiler



**Legend**

- PRV Pressure relief valve (boiler)
- DPRV Pressure relief valve (DHW 150 psi)
- WSE Water softener equipment
- DHW Domestic hot water
- DCW Domestic cold water
- (A) Vitodens 100-W gas-fired condensing boiler
- (B) External boiler controller with room thermostat connection (field supplied)
- (C) Heating circuit
- (D) Outdoor temperature sensor
- (E) DHW tempering valve (field supplied)
- (F) Domestic water sediment filter (field supplied)

**Note:** Refer to the residual head curves on page 32.  
 The use of a low-loss header is recommended if the water flow rate is above or below the operating range.  
 The low-loss header is available as accessory part.

**Maximum Flow Rates**

<b>Model B1KE</b>		<b>120</b>	<b>199</b>
Output	MBH	113	187
$\Delta t$			
30°F (17°C) rise	GPM (L/h)	7.5 (1703)*	12.5 (2839)*
35°F (19.5°C) rise	GPM (L/h)	6.5 (1476)*	10.7 (2430)*
40°F (22°C) rise	GPM (L/h)	5.7 (1295)	9.4 (2135)

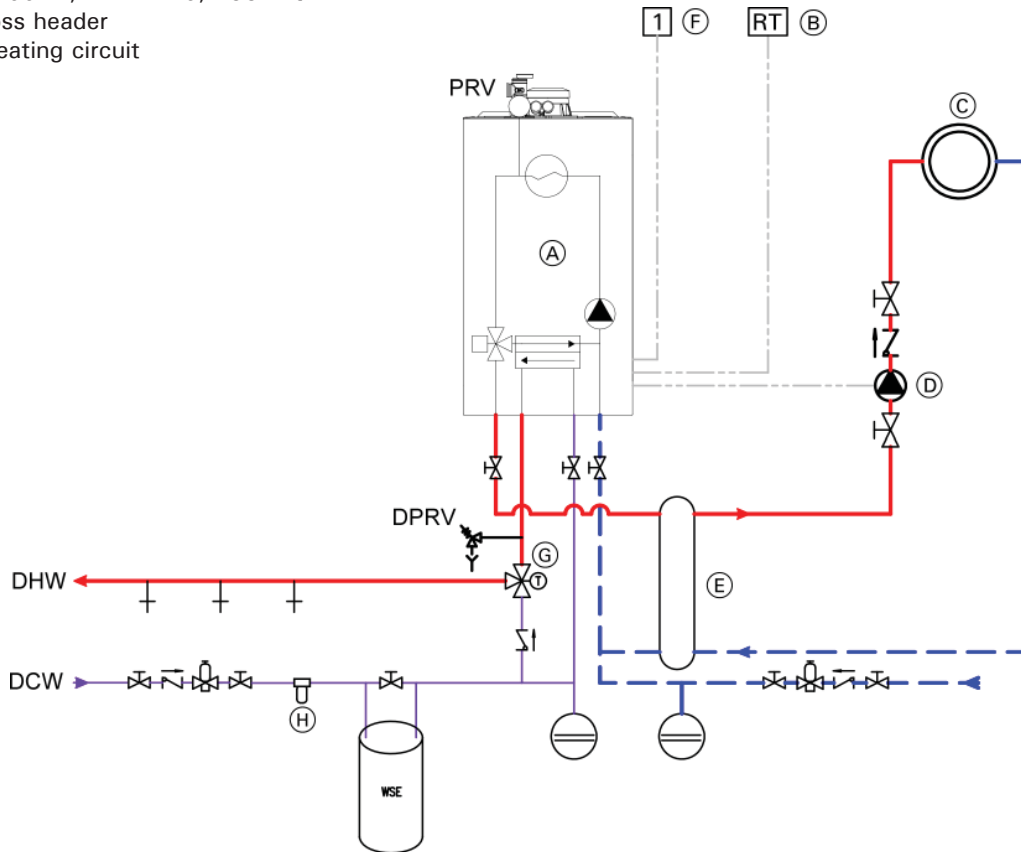
\* Requires low loss header or closely spaced tees.



# System Layout 5

Vitodens 100-W, B1KE 120, 199 with...

- low-loss header
- one heating circuit



**Legend**

- PRV Pressure relief valve (boiler)
- DPRV Pressure relief valve (DHW 150 psi)
- WSE Water softener equipment
- DHW Domestic hot water
- DCW Domestic cold water
- (A) Vitodens 100-W gas-fired condensing boiler
- (B) External boiler controller with room thermostat connection (field supplied)
- (C) Heating circuit
- (D) Heating circuit pump P2
- (E) Low-loss header (there is no LLH temperature sensor available for the B1KE)
- (F) Outdoor temperature sensor
- (G) DHW tempering valve (field supplied)
- (H) Domestic water sediment filter (field supplied)

**Note:** Refer to the residual head curves on page 32. The use of a low-loss header is recommended if the water flow rate is above or below the operating range. The low-loss header is available as accessory part.

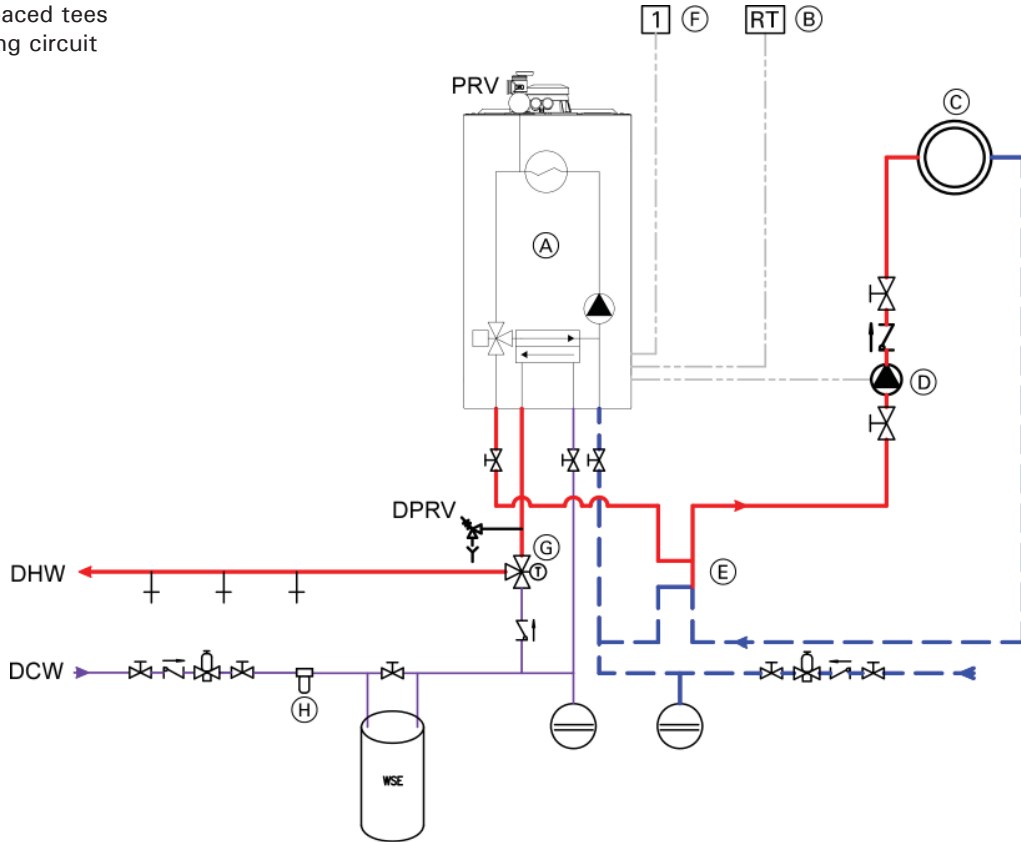
**Maximum Flow Rates**

<b>Model B1KE</b>		<b>120</b>	<b>199</b>
Output	MBH	113	187
$\Delta t$			
30°F (17°C) rise	GPM (L/h)	7.5 (1703)*	12.5 (2839)*
35°F (19.5°C) rise	GPM (L/h)	6.5 (1476)*	10.7 (2430)*
40°F (22°C) rise	GPM (L/h)	5.7 (1295)	9.4 (2135)

\* Requires low loss header or closely spaced tees.

# System Layout 6

- Vitodens 100-W, B1KE 120, 199 with
- closely spaced tees
  - one heating circuit



**Legend**

- PRV Pressure relief valve (boiler)
- DPRV Pressure relief valve (DHW 150 psi)
- WSE Water softener equipment
- DHW Domestic hot water
- DCW Domestic cold water
- (A) Vitodens 100-W gas-fired condensing boiler
- (B) External system controller with room thermostat connection (field supplied)
- (C) Heating circuit
- (D) Heating circuit pump P2
- (E) Closely spaced tees, 4x pipe Ø or 12 in. (305 mm)\* 1
- (F) Outdoor temperature sensor (OTS)
- (G) DHW tempering valve (field supplied)
- (H) Domestic water sediment filter (field supplied)

**Note:** Refer to the residual head curves on page 32. The use of a low-loss header is recommended if the water flow rate is above or below the operating range. The low-loss header is available as accessory part.

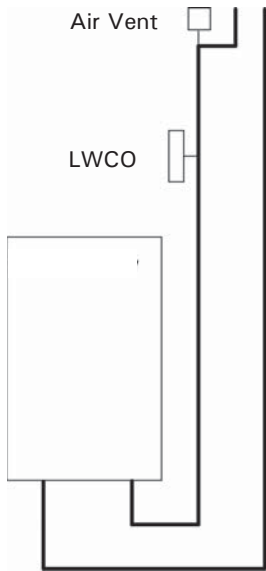
\* 1 A low-loss header offers additional benefits not provided by a pair of closely spaced tees. Viessmann strongly recommends and prefers the use of a low-loss header over closely spaced tees.

**Maximum Flow Rates**

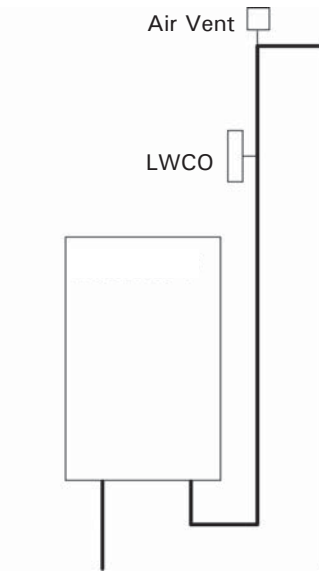
<b>Model B1KE</b>		<b>120</b>	<b>199</b>
Output	MBH	113	187
$\Delta t$			
30°F (17°C) rise	GPM (L/h)	7.5 (1703)*	12.5 (2839)*
35°F (19.5°C) rise	GPM (L/h)	6.5 (1476)*	10.7 (2430)*
40°F (22°C) rise	GPM (L/h)	5.7 (1295)	9.4 (2135)

\* Requires low loss header or closely spaced tees.

**Boiler with Low Water Cut-off (remote-mounted, field supplied)**



Boiler below radiation



Boiler above radiation

A low water cut-off may be required by local codes. Do not install an isolation valve between boiler and low water cut-off. Follow the installation instructions of the low water cut-off manufacturer. For low water cut-off wiring information specific to your application, refer to applicable wiring diagram on the boiler front panel.

**Note:** The Vitodens 100-W boiler has a built-in flow switch, which may be accepted by local codes in lieu of a low water cut-off.



## Commissioning the System with the Commissioning Assistant

### IMPORTANT

Only commission the boiler with a fully filled siphon trap. Check that the siphon trap has been filled with water.

#### Commissioning assistant

1. Open the gas shut-off valve.
2.
  - If the boiler has not been switched on yet: Turn on the ON/OFF switch. The commissioning assistant starts automatically.
  - If the boiler has already been switched on: See chapter “Calling up the commissioning assistant at a later point”, page 41.
3. Commission the boiler and follow the commissioning assistant. See the overview below.
  - Note:** Depending on the type of boiler, the accessories connected and other settings, not all menu points will be displayed.
  - Note:** After the commissioning assistant has finished, check that the actuators are connected and operating correctly. Start the actuator test.

Commissioning assistant sequence	Explanations and references
<b>Commissioning</b>	
Language	
With app	The boiler automatically switches on the WiFi access point. Further commissioning steps according to the instructions of the Vitoguide mobile app <b>Note:</b> Apps for commissioning and service are available for iOS and Android devices. <div style="display: flex; justify-content: space-around; align-items: center; margin-top: 10px;">   </div>
With programming unit	If commissioning is to be carried out at the programming unit of the boiler.
Units <ul style="list-style-type: none"> <li>■ Temperature</li> <li>■ Length</li> </ul>	Select the required units of measurement (e.g. °C or °F)
Date <ul style="list-style-type: none"> <li>■ Format</li> <li>■ Date setting</li> <li>■ Automatic summer/winter changeover</li> </ul>	
Time <ul style="list-style-type: none"> <li>■ Format</li> <li>■ Time changeover</li> </ul>	
Filling and purging	
Gas type	If operating with LPG, switch to “LPG”
Altitude	Set the elevation of the boiler installation site
Continue in the commissioning assistant with Yes or end commissioning with No.	

**Commissioning the System with the Commissioning Assistant** *(continued)*

Commissioning assistant sequence	Explanations and references
<b>Operating mode</b>	
<ul style="list-style-type: none"> <li>■ Weather-compensated</li> <li>■ Constant operation</li> </ul>	Outside temperature sensor connected. With outside temperature value.
<b>System scheme</b>	
DHW <ul style="list-style-type: none"> <li>■ Not installed</li> <li>■ Cylinder with one sensor with /without DHW recirculation pump</li> <li>■ DHW comfort function</li> <li>■ Tank with temperature switch (Aquastat) with/without DHW recirculation pump</li> </ul>	Settings for DHW heating according to the system components System without DHW heating System with DHW tank with 1 tank temperature sensor  Only for B1KE series boilers (not adjustable) No demand from Aquastat = no frost protection Demand from Aquastat = demand for target value
Low loss header/buffer tank <ul style="list-style-type: none"> <li>■ Not installed</li> <li>■ Low loss header, heating only</li> <li>■ DHW heating upstream of low loss header</li> <li>■ DHW heating downstream of low loss header</li> </ul>	Settings for the consumer circuits according to the system components. <b>Note:</b> All system schemes with low loss header without temperature sensor for low loss header.  There is no low loss header or heating water buffer tank in the system. System with low loss header, without DHW heating. DHW heating with e.g. separate DHW tank connected upstream of the low loss header. DHW heating with e.g. separate DHW tank connected downstream of the low loss header.
Plug 96 <ul style="list-style-type: none"> <li>■ Heat demand ("call for heat")</li> </ul>	If a contact has been connected to plug 96.
<b>Maintenance</b>	
Interval in burner hours run until next maintenance	Interval adjustable in steps of 100 h.
Interval until next maintenance	Interval adjustable to 3, 6, 12, 18 or 24 months.
The boiler control carries out a restart.	

**Switching WiFi ON/OFF**

The boiler is equipped with an integrated WiFi communication module with extended rating plate. The internal communication module supports commissioning of the boiler with the "Vitoguide mobile app", connectivity with the "ViCare app", and connection to the "Vitoguide" digital service centre. The access details required for establishing a connection are recorded in the form of an access code with "WiFi symbol". Three copies of this code are located on the rear of the programming unit. Before installing the programming unit, remove the access code labels from the rear. For commissioning, affix one label to the front of the boiler. Switch on the WiFi connection and establish a connection to the router; see also page 29. Activating the internet connection:



Operating instructions



Affix a further credentials label here, so it can be found for subsequent use:

Affix a label in the operating instructions.

**Calling up the commissioning assistant at a later point**

If you need to continue commissioning later, the commissioning assistant can be reactivated at any time.

**Tap the following buttons:**

1. and OK simultaneously for approx. 4 sec, then release.
2. Use to select "Basic settings".
3. OK
4. Use to select "Commissioning assistant".
5. OK

## Filling the Heating System

### Water connections

Vitodens 100-W boilers can be used in any fully pumped hot water heating system.

Minimum system pressure is 0.8 bar (12 psig).

Chemical corrosion protection products: Corrosion does not typically occur in sealed heating systems which have been correctly installed and are correctly operated.

Many manufacturers of plastic pipes recommend the use of chemical additives. In this case, only those commercially available corrosion protection products approved for boilers with domestic hot water heating via single-wall heat exchangers (instantaneous plate heat exchangers or DHW tanks) must be used.

### Underfloor heating systems

For underfloor heating systems Viessmann recommends the use of plastic tubing with an oxygen diffusion barrier in order to prevent the diffusion of oxygen through tubing.

If plastic tubing without an oxygen diffusion barrier is used in underfloor heating systems, Viessmann recommends that such systems be separated from the boiler with a heat exchanger.

### Water Conditions for DHW B1KE

Media: pH value 6.5 to 12, glycol max. 30%

DHW (max. hardness): Chloride up to 250 mg/L

Hardness up to 358 ppm  
(= max. 0.278 kg/m<sup>3</sup> lime deposit)

### Water quality

Treatment for boiler feed water should be considered in areas of known problems, such as where a high mineral content and hardness exist. In areas where freezing might occur, an antifreeze may be added to the system water to protect the system. Please adhere to the specifications given by the antifreeze manufacturer.

Do not use automotive silicate based antifreeze. Please observe that an antifreeze/water mixture may require a backflow preventer within the automatic water feed and influence components such as diaphragm expansion tanks, radiation, etc. Maximum antifreeze content is 50% for the B1HE 85, 120, 150, 199 and 30% for the B1KE 120 and 199. Do not use antifreeze other than specifically made for hot water heating systems.

The system may also contain components which might be negatively affected by antifreeze.

Check total system frequently when filled with antifreeze. Advise system operator/ultimate owner that system is filled with a glycol mix.

The heating contractor must provide a MSDS (Material Safety Data Sheet) for the antifreeze used to the system operator/ultimate owner.

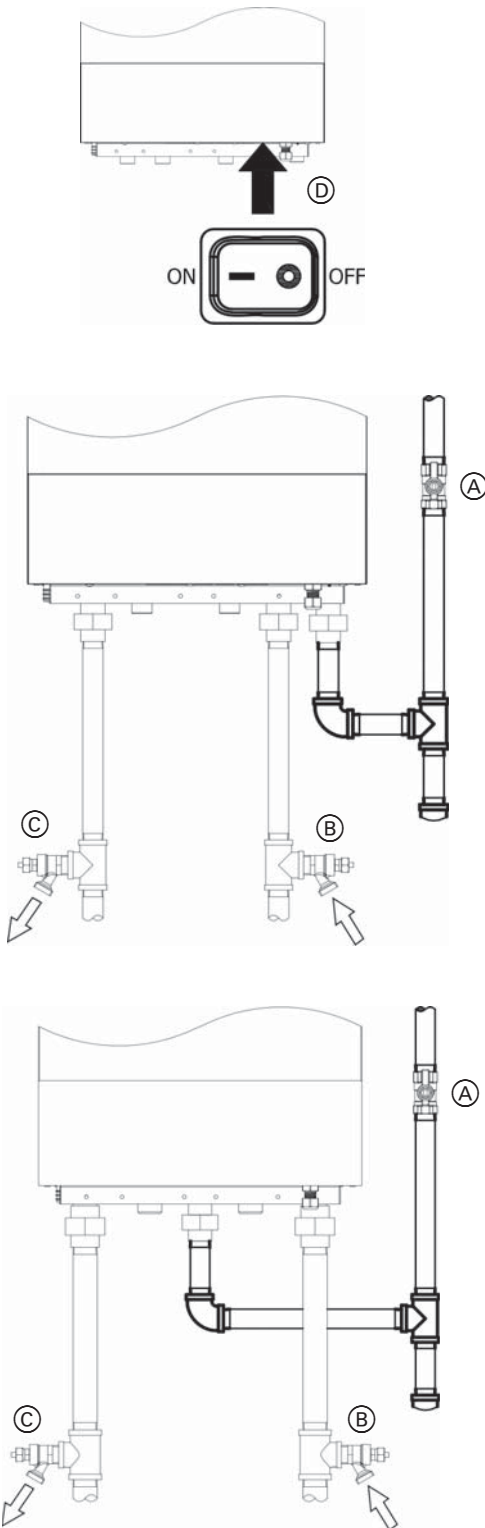
### Total permissible hardness of the fill and top-up water for the heating system

Total heating output MBH	Specific heating volume					
	< 5 USG per 3412 BTU		≥ 5 USG per 3412 BTU to < 13 USG per 3412 BTU		≥ 13 USG per 3412 BTU	
≤ 170	300 ppm	17.5 gpg	200 ppm	11.7 gpg	2 ppm	0.11 gpg
> 170 to ≤ 682	200 ppm	11.7 gpg	150 ppm	8.8 gpg	2 ppm	0.11 gpg
> 682 to ≤ 2050	150 ppm	8.8 gpg	2 ppm	0.11 gpg	2 ppm	0.11 gpg
> 2050	2 ppm	0.11 gpg	2 ppm	0.11 gpg	2 ppm	0.11 gpg

ppm - parts per million

gpg - grains per gallon

**Filling the Heating System** *(continued)*



Valves/fittings on site:

- (A) Gas shut-off valve
- (B) Heating return with fill valve
- (C) Heating supply with drain valve
- (D) ON/OFF switch

1. Check the pre-charge pressure of the expansion tank.
2. Close gas shut-off valve (A).
3. Fill the heating system at boiler fill valve (B) in the heating return (on site). Minimum system pressure > 12 psi (0.8 bar). Check the system pressure at pressure gauge. The indicator must be in the green band. If necessary, open the system air vents.  
**Note:** Pressure spikes may occur during filling, ensure pressure does not exceed pressure relief valve rating.
4. Fit hose to drain valve (C). Route the hose into a suitable container or drain outlet.
5. Close the shut-off valves on the heating water side.
6. Open drain valve (C) and fill valve (B) in the heating return. Vent (flush) until no more air noise is audible.  
**Note:** Required minimum flow rate for flushing:  
800 L/h for B1HE/KE 85/120 boilers; 1100 L/h for B1HE/KE 150/199 boilers
7. Activate the filling function (see commissioning assistant or following chapter).
8. Close drain valve (C) and fill valve (B). Check the system pressure at pressure gauge. The indicator must be in the green band.
9. Open the shut-off valves on the heating water side.

Activating the filling function

If the filling function is to be activated after commissioning. Tap the following buttons:

1. and OK simultaneously for approx. 4 sec, then release.
2. Use to select "Basic settings".
3. OK
4. Use to select "Commissioning assistant".
5. OK
6. for "Next" and OK until "Filling" appears.
7. OK  
The filling function ends automatically after 20 min or when you tap OK.



## Checking All Connections on the Heating Water and DHW Sides for Leaks

### WARNING

**Risk of electric shock from escaping heating water or DHW.**  
**When commissioning and after carrying out maintenance work, check all water side connections for leaks.**

Check heating system and domestic hot water connections (if applicable). Ensure all connections are pressure tight.  
 Correct any leaks found on fittings, pumps, valves, etc.





## Purging the Heating System

1. Close the gas shut-off valve and switch the boiler ON.
2. Open the automatic air vent valve.  
**Note:** To use the purging function, an automatic air vent valve must be installed on site.
3. Activate the purging program.
4. Adjust the system pressure.  
 The boiler pressure gauge shows the system pressure.
5. Disconnect the supply hose from the boiler drain and fill valve.
6. Open the gas shut-off valve.

### Activating the purging function

If the purging function is to be activated after commissioning.

Tap the following buttons:

1.  and OK simultaneously for approx. 4 sec, then release.
2. Use  to select "Basic settings".
3. OK
4. Use  to select "Commissioning assistant".
5. OK
6.  for "Next" and OK until "Purging" appears.
7. OK  
 The purging function is activated.  
 The purging function ends automatically after 20 min or when you tap OK.

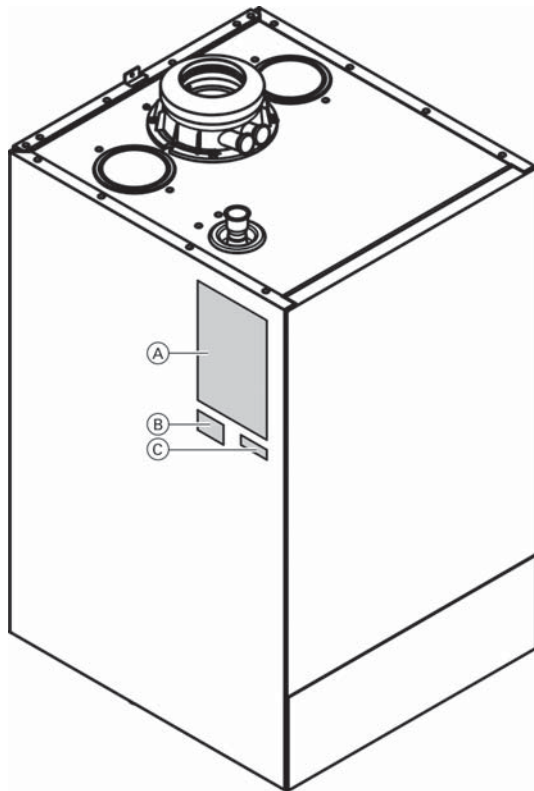
## Checking the Gas Type

The Vitodens 100-W boiler is for use with gases whose characteristics fall within the following ranges. Do not use any other types of gas.

	Natural gas	Liquid Propane gas
Heating value (gross) Btu/ft <sup>3</sup>	970 to 1100	2466 to 2542
Specific gravity	0.57 to 0.70	1.522 to 1.574
Ultimate carbon dioxide (CO <sub>2</sub> ) %	11.7 to 12.2	13.73 to 13.82

1. Verify that the fuel type listed on the boiler rating plate is the correct type for the installation being attempted.
2. Once verified, record the fuel type in Maintenance Record on page 99.

## Converting the Gas Type for Operation with LPG

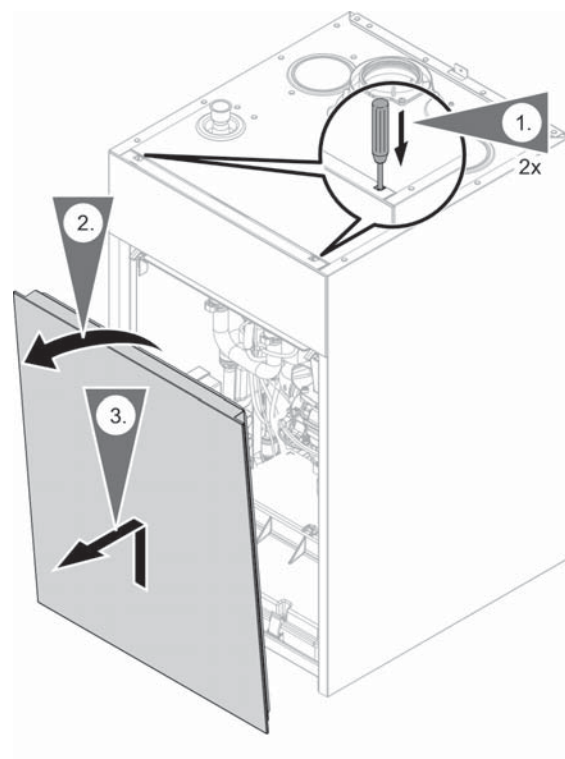
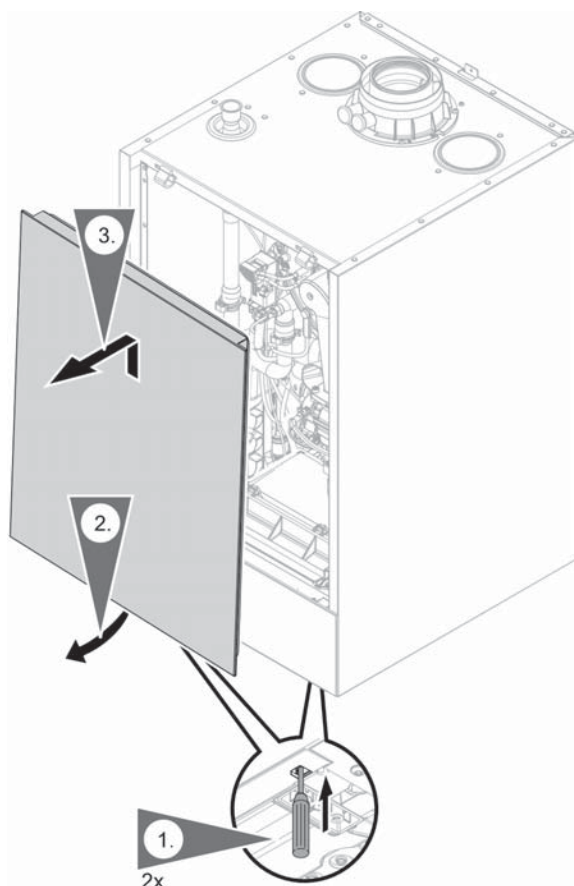


1. To change the gas type on the control unit, see "Commissioning the system with the commissioning assistant"  
**Note:** No mechanical adjustments are made to the gas solenoid valve.
2. Affix labels as shown.

### Legend

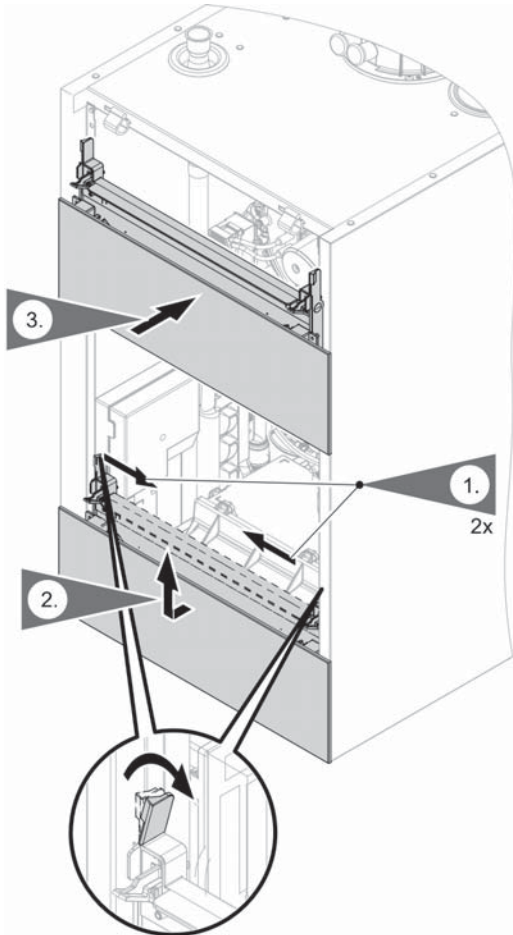
- Ⓐ CSA Rating Plate
- Ⓑ Field Conversion Label
- Ⓒ Gas Type Label

## Removing the Front Panel

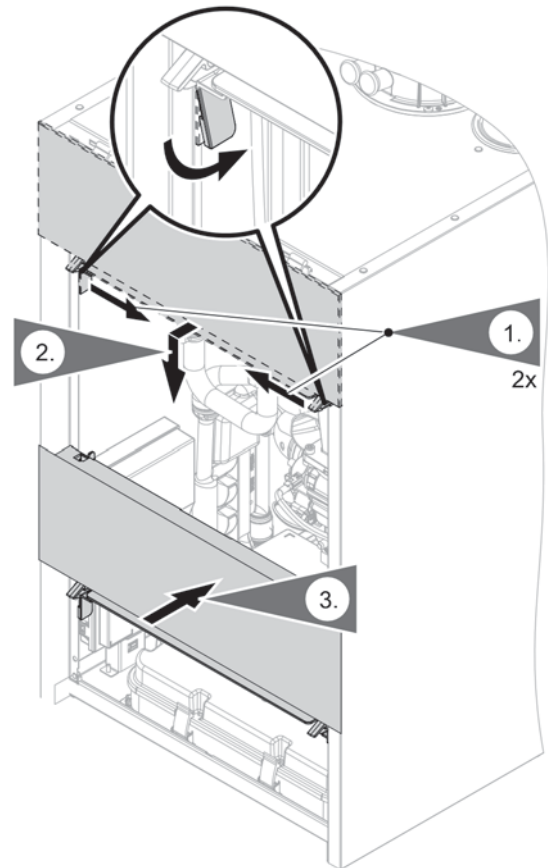


**Moving the Programming Unit to the Maintenance Position**

To facilitate certain maintenance tasks, move the programming unit up or down, depending where it is located.



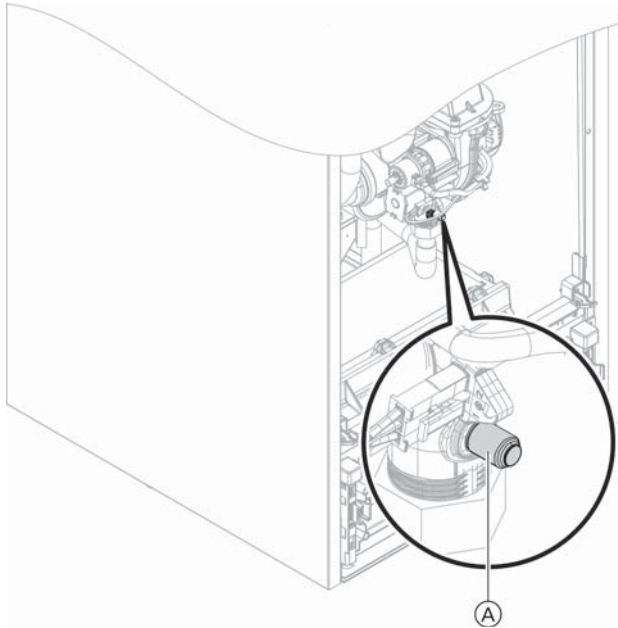
HMI mounted at the bottom



HMI mounted at the top

Do not disconnect the plug from the mounting panel.  
Do not alter where and how the cable is secured (fixing point of the cable tie).

## Checking the Static Pressure and Supply Pressure



**Legend**

(A) Inlet gas pressure measurement port

Measuring running gas supply pressure, using test nipple (A)

**Static pressure**

1. To measure static and/or running pressure remove burner cover panel as per the removal instructions on page 45.
2. Close gas shutoff valve.
3. Loosen screw in test nipple (A) on the gas combination valve, do not remove completely. Connect calibrated manometer.
4. Open the gas shutoff valve.
5. Measure static pressure. Values must be:
  - 14 "w.c. max. for NG
  - 14 "w.c. max. for LPG
6. Enter measured value into Maintenance Record on page 99 in this manual.
7. Start up boiler, using the on/off service switch (field supplied).

**IMPORTANT**

A CO<sub>2</sub> measurement (see page 59) must be taken before and after working on gas appliances to eliminate health risks and to guarantee the satisfactory condition of the system.

8. All measurements must be made under high-fire conditions.
  - Note:** Use suitable measuring instruments calibrated with a minimum resolution of 0.04 "w.c. for measuring the running pressure.

Measure the running pressure; value must be:

Running supply pressure with Natural gas	Running supply pressure with Liquid propane gas	Corrective action
under 4 "w.c.	under 10 "w.c.	Do not attempt adjustment. Call local gas utility to increase pressure.
4 to 14 "w.c.	10 to 14 "w.c.	Start up boiler.
over 14 "w.c.	over 14 "w.c.	Do not attempt adjustment. Call local gas utility to decrease pressure. Boiler valve must not be exposed to pressure over 14 "w.c.

9. Enter gas type into Maintenance Record on page 99 in this manual.
10. Switch off the heating system ON/OFF service switch (boiler is shut down), close the gas shut-off valve, remove the manometer and re-tighten the screw in the test nipple (A).
11. Open gas shutoff valve and check that the test nipple (A) and all gas connections are gas-tight.

**! WARNING**

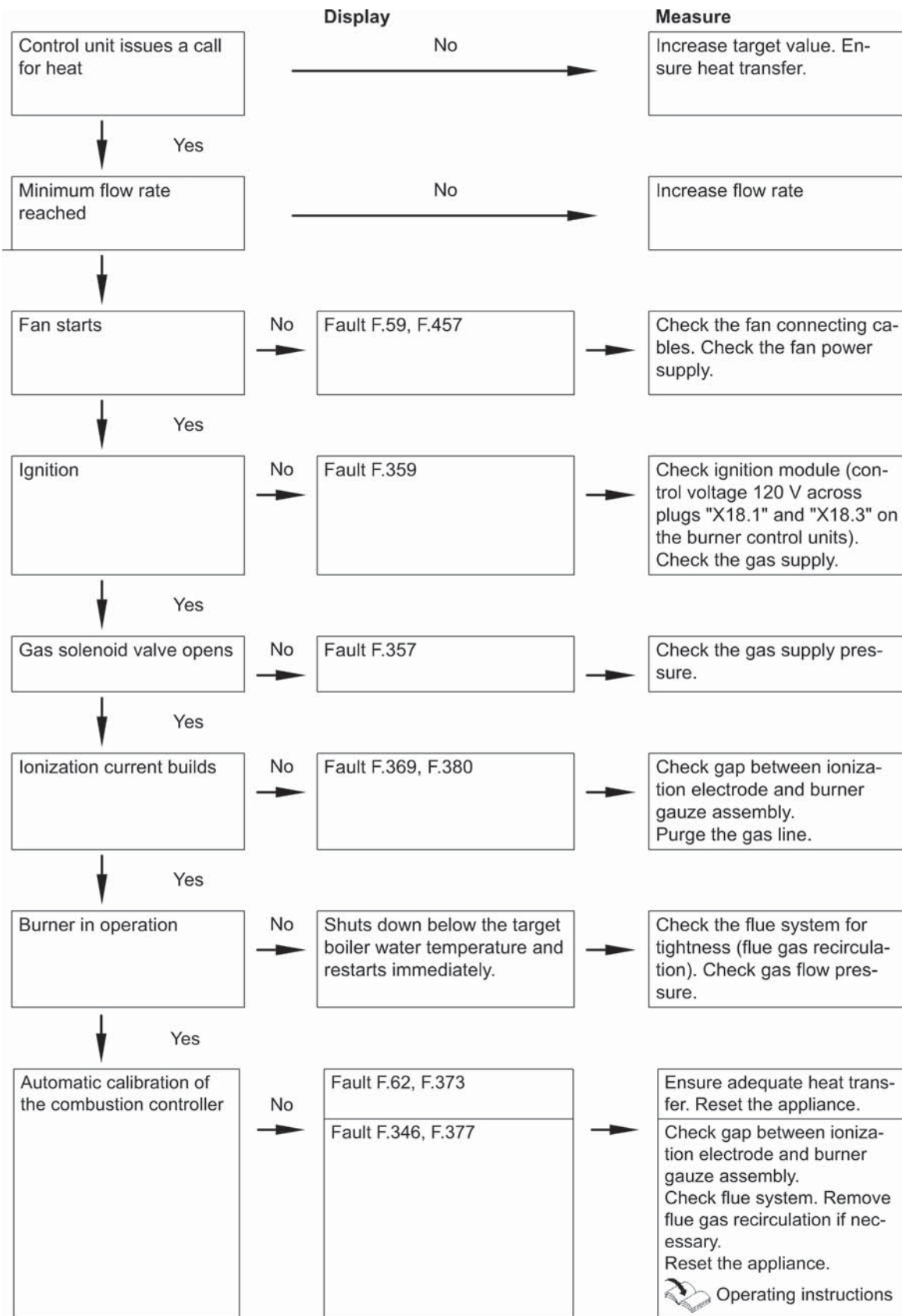
**Ensure that there is no open flame in the room.**

**! WARNING**

**Never purge a gas line into a combustion chamber. Never use matches, candles, flame, or other sources of ignition for purpose of checking leakage. Use a soap-and-water solution to check for leakage. A failure to follow this warning could result in fire, explosion, personal injury, or death.**

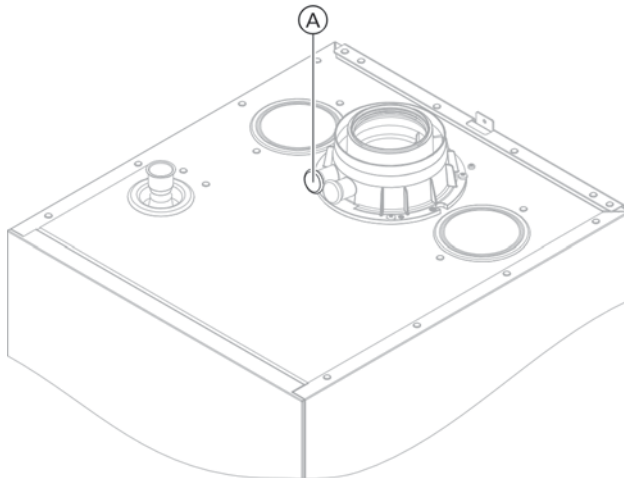
Supply pressure (flow pressure)		Measures
For natural gas	For LPG	
< 4" w.c.	< 10" w.c.	Do not start the boiler. Notify the gas supply utility or LPG supplier.
4 - 14" w.c.	10 - 14" w.c.	Start the boiler.
> 14" w.c.	> 14" w.c.	Install a separate gas pressure governor upstream of the system. Set the pre-charge pressure to 4" w.c. for natural gas and 10" w.c. for LPG. The gas solenoid valve must not be exposed to pressures above 14 "w.c.

**Function Sequence and Possible Faults**



For further details regarding faults, see "Troubleshooting".

## Seal Test on Coaxial Flue System (annular gap check)



### Legend

Ⓐ Combustion air aperture

### For sealed combustion, coaxial vent only

Viessmann strongly recommends that the heating contractor perform a simplified leak test during boiler start-up. For this purpose it is sufficient to measure the CO<sub>2</sub> concentration of the combustion air in the coaxial gap of the air intake pipe. The vent pipe is considered sufficiently leak-proof if a CO<sub>2</sub> concentration in the combustion air no higher than 0.2% or an O<sub>2</sub> concentration no lower than 20.6% is measured.

If higher CO<sub>2</sub> values or lower O<sub>2</sub> values are measured, check venting system thoroughly.

**Note:** The vent pipe adaptor comes with two measurement ports, one for combustion air intake measurement and one for flue gas measurement.

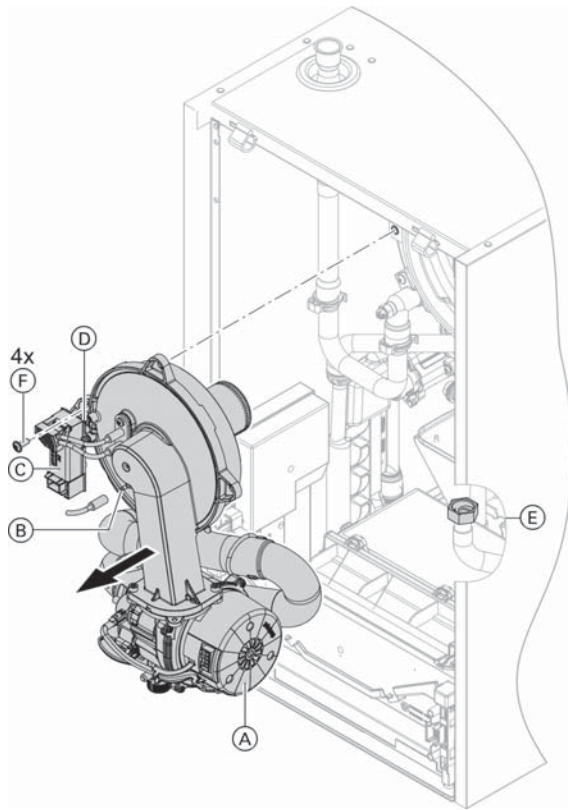
**Note:** This test is not applicable for single-wall venting systems (non-sealed combustion).

## IMPORTANT

If the test port is not sealed, combustion air is drawn in from the room. After the leak test, re-seal the test port with the plug.



## Removing the Burner



B1HE/KE 85/120

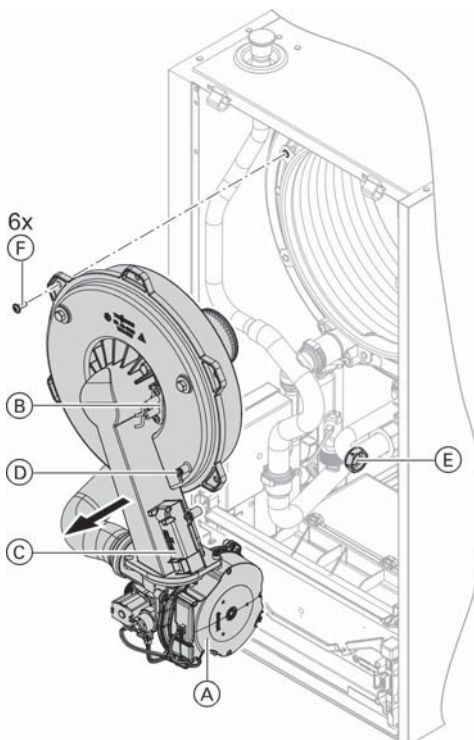
**Note:** If the programming unit is located at the top: Move the programming unit down into the maintenance position. See page 46.

1. Turn off the ON/OFF switch.
2. Close the gas shut-off valve and safeguard against reopening.
3. Disconnect cables and leads from:
  - Fan motor (A) (2 plugs)
  - Ionization electrode (B)
  - Ignition unit (C)
  - Ground (D)
4. Undo gas supply pipe fitting (E).
5. Undo screws (F) and remove the burner.
 

**Note:** Cover gas connection (E) (B1HE/KE 85/120) so that no small parts can fall into it.

### IMPORTANT

Always hold the fitting of the gas connection pipe with a suitable open-ended wrench.  
Use a two handed wrench method when tightening fittings, and ensure that the corrugated gas line does not twist.  
The gas pipe must not touch any other components.  
Do not use pliers or similar tools.

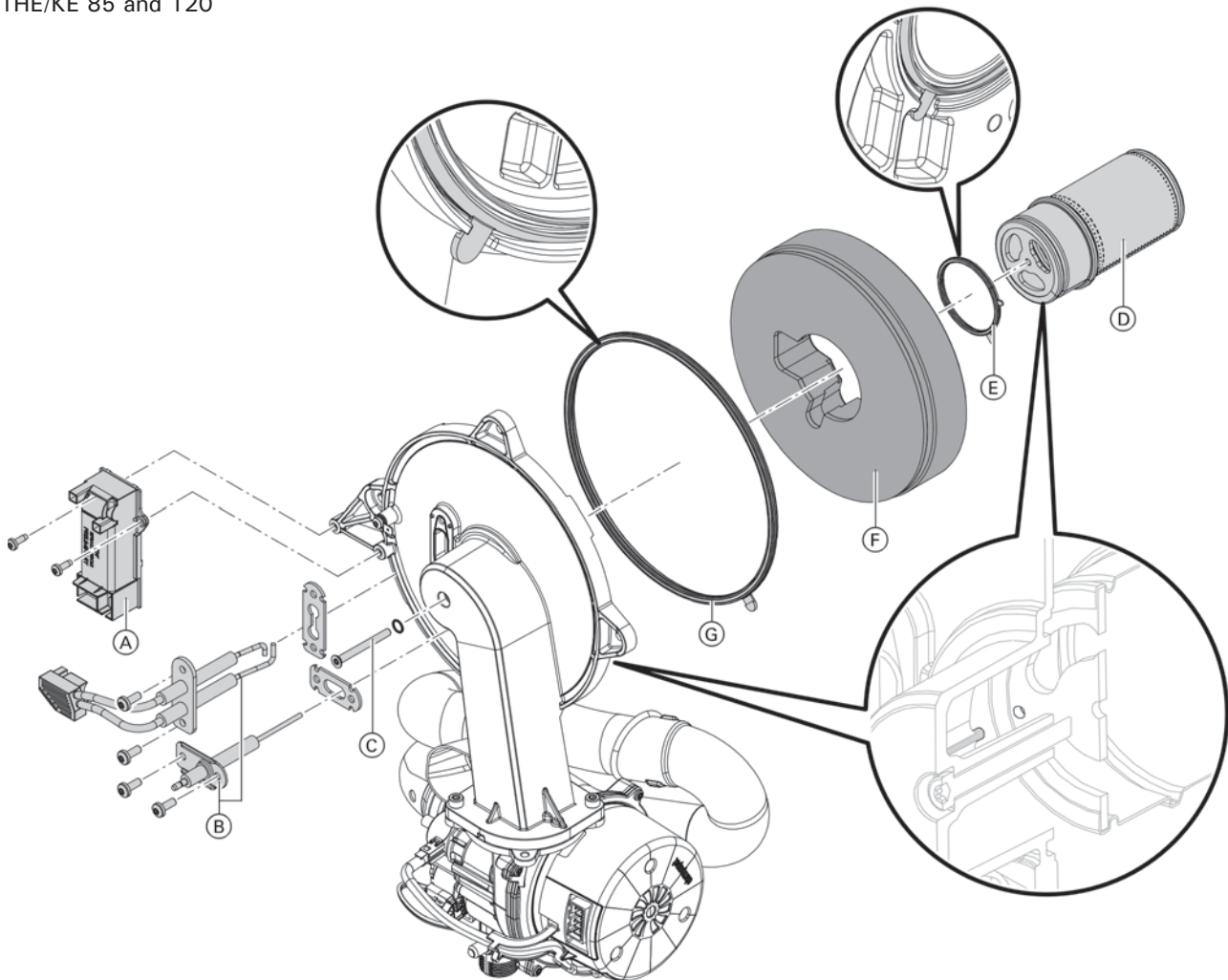


B1HE/KE 150/199



## Checking the Burner Gasket and Flame Body Assembly

B1HE/KE 85 and 120



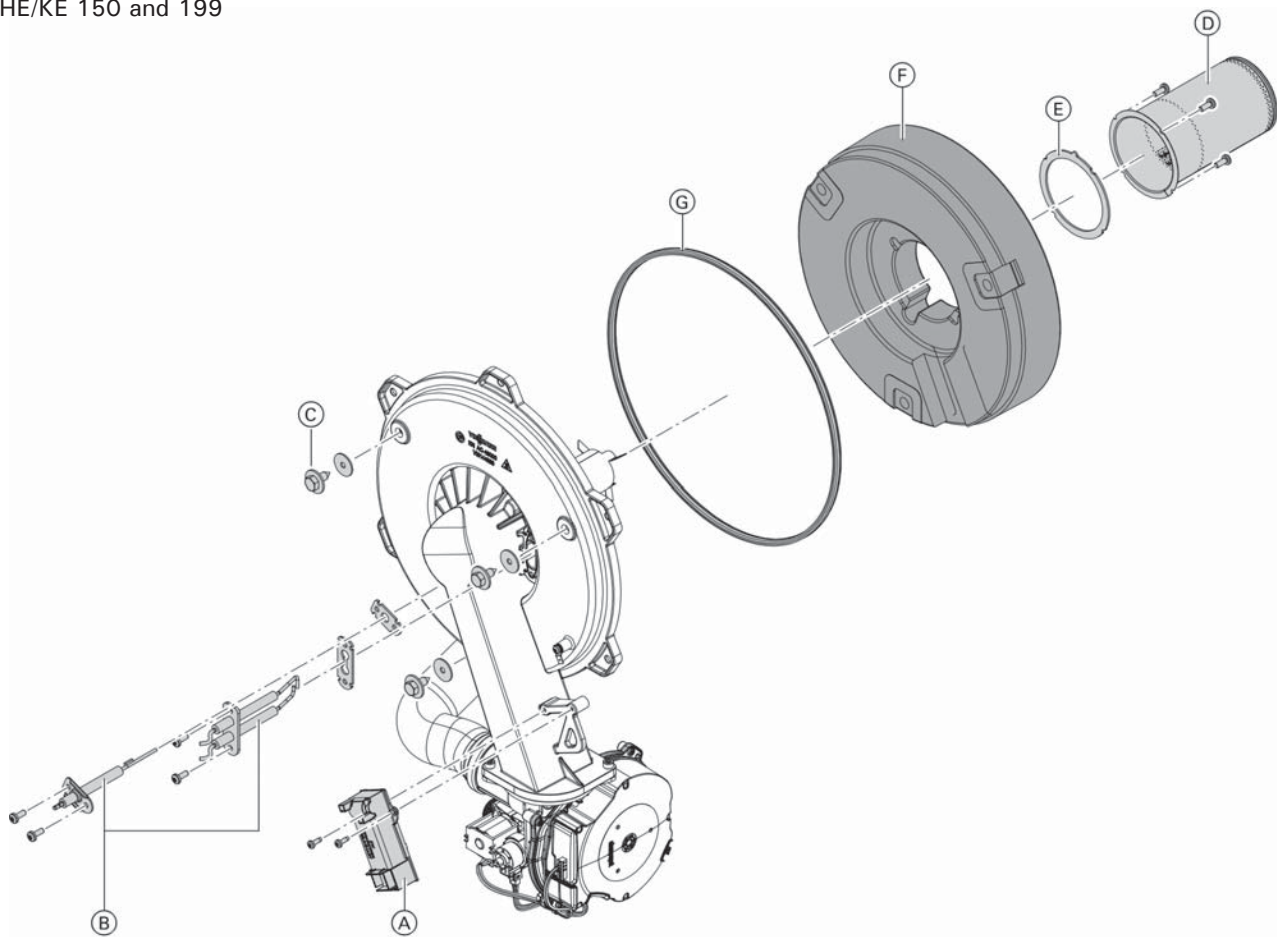
Check flame body assembly (D), electrodes (B), thermal insulation ring (F) and gasket (G) for damage. Only remove and replace components if they are damaged or worn.

**Note:** If replacing the flame body assembly, also replace the flame body assembly gasket and the fixing screw.

1. Disconnect plug with ignition electrode leads from ignition unit (A).
2. Remove electrodes (B).
3. Undo Torx screw (C). Hold onto flame body assembly (D) when undoing the screw.
4. Remove flame body assembly (D) with gasket (E) and thermal insulation ring (F). Check components for damage.
5. Install new burner gasket (G). Observe correct installation position. Align the tab as per the diagram.
6. Insert thermal insulation ring (F) and flame body assembly (D) with gasket (E). Observe correct installation position. Align the tab as per the diagram.
7. Align the hole in flame body assembly (D) with the burner door pin. Secure flame body assembly (D) and gasket (E) with Torx screw (C). Torque: 27 lb.in (3.0 Nm).
8. Check thermal insulation ring (F) for firm seating.
9. Fit electrodes (B). Check clearances, see following chapter. Torque: 40 lb.in (4.5 Nm).

## Checking the Burner Gasket and Flame Body Assembly *(continued)*

B1HE/KE 150 and 199

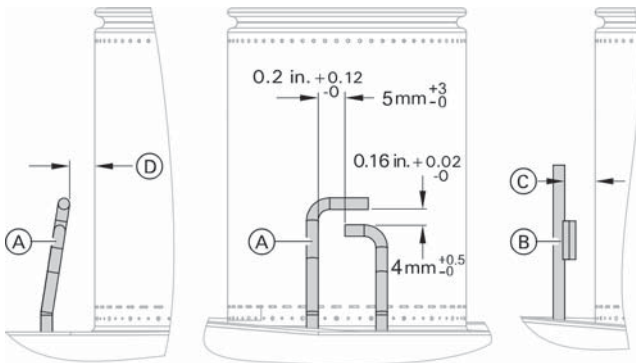


Check flame body assembly (D), electrodes (B), thermal insulation ring (F) and gasket (G) for damage. Only remove and replace components if they are damaged or worn.

**Note:** If replacing the flame body assembly, also replace the flame body assembly gasket and the fixing screws.

1. Disconnect plug with ignition electrode leads from ignition unit (A).
2. Remove electrodes (B).
3. Loosen the 3 hex. screws. Hold the insulation ring and then carefully remove it upwards over the flame body.  
If the insulation mats behind the insulation ring are in good condition after removal, it is not necessary to replace them.
4. Loosen the 4 torx screws (C). Remove any seal residues if necessary. Do not damage the seal seat.
5. Install new flame body (D) with new gasket (E).  
Torque: 40 lb.in (4.5Nm)
6. Install new burner door gasket (G).  
Ensure correct alignment!
7. Secure flame body assembly (D) and gasket (E) with 4 Torx screws (C). Torque: 40 lb.in (4.5 Nm).
8. Place the inner and outer insulation mats in the burner door. Insert thermal insulation ring (F). Ensure that the outer insulation mat is not under the 3 support points of the retaining clips. Secure the thermal insulation ring with 3 hex head screws Torque: 35 lb.in (4 Nm). Check thermal insulation ring (F) for firm seating.
9. Fit electrodes (B). Check clearances, see following chapter. Torque: 40 lb.in (4.5 Nm).

## Checking and Adjusting the Ignition and Ionization Electrodes

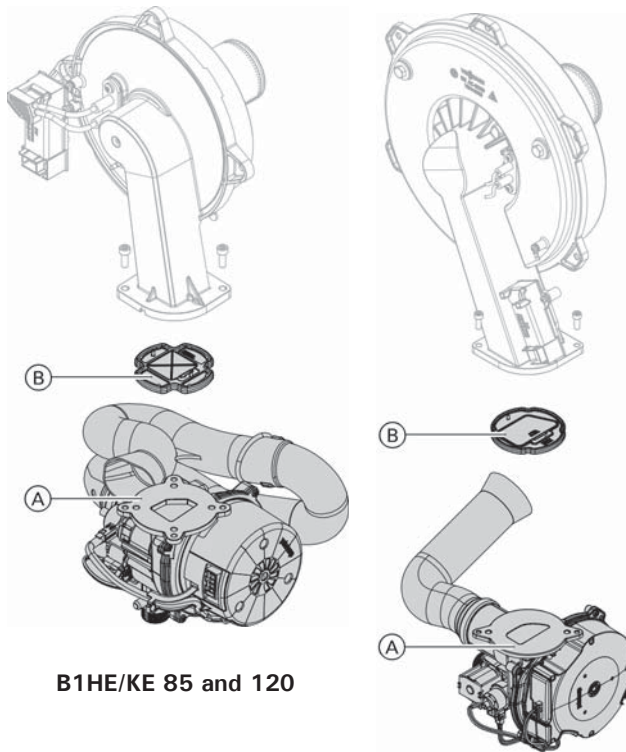


1. Check the electrodes for wear and contamination.
2. Clean the electrodes with a small brush (not a wire brush) or sandpaper.
3. Check the electrode gaps. If the gaps are not as specified or the electrodes are damaged, replace the electrodes and gaskets and adjust them as required. Tighten the electrode fixing screws to a torque of 40 lb.in (4.5 Nm).

### Legend

- (A) Ignition electrodes
- (B) Ionization electrode
- (C) Ionization electrode gap:
  - B1HE/KE 85/120 [ 0.40 in. ± 0.02 in. (10 mm ± 0.5) ]
  - B1HE/KE 150/199 [ 0.47 in. ± 0.02 in. (12 mm ± 0.5) ]
- (D) Ignition electrode gap:
  - B1HE/KE 85/120 [ 0.25 in. ± 0.02 in. (6.5 mm ± 0.5) ]
  - B1HE/KE 150/199 [ 0.24 in. ± 0.02 in. (6 mm ± 0.5) ]

## Checking the Flue Gas Flapper



B1HE/KE 85 and 120

B1HE/KE 150 and 199

Back flue gas flapper in the mixing shaft of the burner

1. Undo 2 screws and remove fan (A).
2. Remove flue gas flapper (B).
3. Check the damper and gasket for dirt and damage. Replace if necessary.
4. Refit flue gas flapper (B).  
**Note:** Observe correct installation position!
5. Refit fan (A) and secure with 2 screws.  
Torque: 35 lb.in (4.0 Nm).

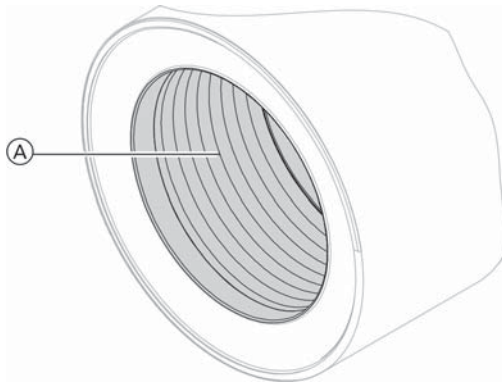
## Cleaning the Heating Surfaces

### WARNING

Follow cleaning agent manufacturer's safety instructions and wear appropriate protective equipment.

### WARNING

Never use a metal wire brush or mechanically driven brushes.



### IMPORTANT

Scratches to the surfaces of the heat exchanger that come into contact with hot gas can result in corrosion damage. Brushing can cause deposits to become lodged in the gaps between the coils.

Do not use brushes to clean the heating surfaces.

### IMPORTANT

Prevent damage due to cleaning water. Cover electronic components with suitable watertight material.

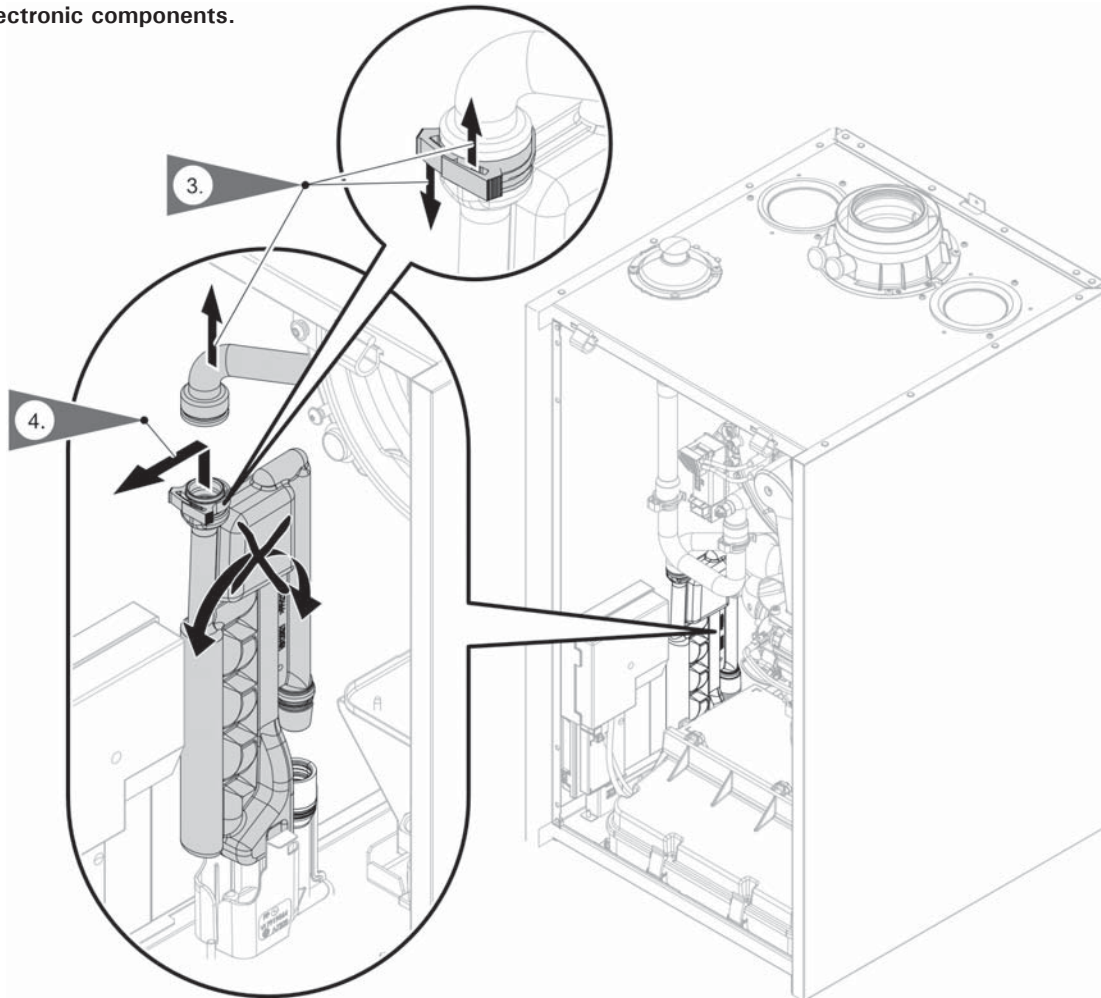
**Note:** Discoloration on the heat exchanger surface is a normal sign of use. It has no bearing on the function or service life of the heat exchanger.  
The use of chemical cleaning agents is not required.

1. Remove burner assembly and reinstall upon completion of service work as per the instructions on page 50 in this manual.
2. Clean the combustion chamber (A) by vacuuming loose debris out.
3. Remove embedded sediment from the stainless steel heat exchanger surface by thoroughly rinsing with water or cleaning agents such as Axiom Industries "Clean F Steel". Follow Axiom handling and application instructions when using cleaning agent.  
Avoid getting the refractory wet during cleaning.  
**Note:** Discoloration of the heat exchanger surface is the normal result of the combustion process. It has no impact on the functionality or the longevity of the heat exchanger.
4. If the gaps between the heat exchanger coil windings are plugged, carefully remove debris without scratching the heat exchanger surface using the Viessmann tool specific for this purpose.  
Tool part number 7858492;  
Replacement blade part number 7840346.
5. Flush the combustion chamber (A) with water until it runs clear through the condensate trap.
6. Remove and clean out any accumulated debris from condensate trap. Reinstall condensate trap.  
See page 55 for details.

## Check the Condensate Drain / Cleaning the Siphon Trap

### IMPORTANT

Prevent damage due to condensate.  
Cover electronic components.



1. Cover electronic components with suitable watertight material.
2. Move the bracket together with the programming unit upwards. See "Moving the programming unit to the maintenance position".
3. Remove the supply hose.
4. Pull siphon trap upwards out of the drain hose.
5. Hold siphon trap as straight as possible and remove. Ensure that no condensate runs out.
6. Clean the siphon trap.
7. Fill the siphon trap with water and refit it on the drain hose.
8. Refit supply hose, ensure the clip is sealed and securely closed.
- 9.

### **!** WARNING

**Risk of electric shock from escaping condensate**  
Check the connections for leaks and check that the siphon trap is seated correctly.  
Before commissioning, remove any condensate that has escaped from the boiler.

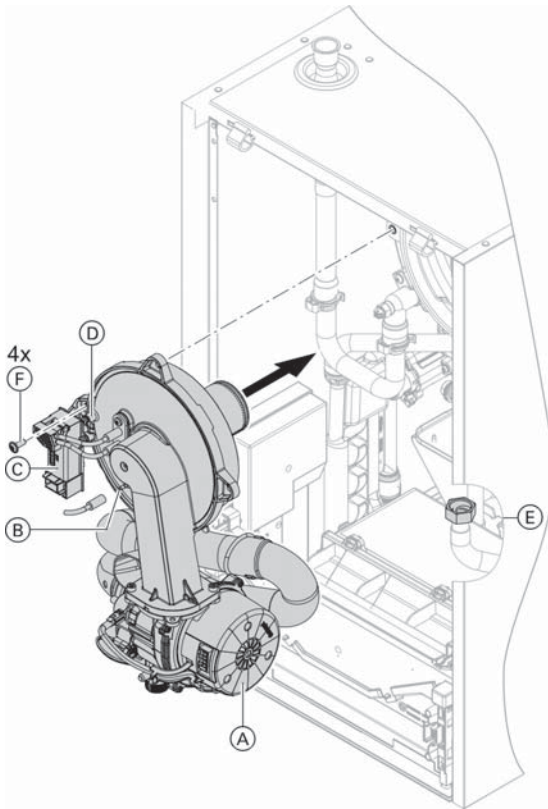
**Note:** Route the drain hose without any bends and with a constant fall.

### IMPORTANT

If the siphon trap is not fitted properly and filled with water, flue gas can escape. Only start the boiler when the siphon trap has been filled. Check that the siphon trap is seated correctly.



## Installing the Burner



B1HE/KE 85 and 120

1. If necessary, move the programming unit.
2. Insert the burner. Tighten screws (F) diagonally. Torque: 35 lb.in (4 Nm).
3. Fit gas supply pipe (E) with a new gasket. Torque: 22 lb.ft (30 Nm).

### **! WARNING**

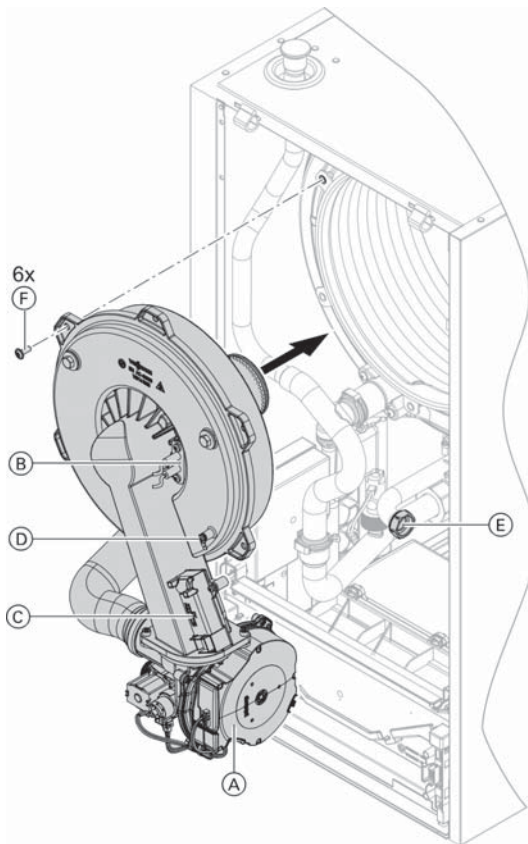
Do not damage the gas pipe!  
The gas pipe must not come into contact with any other components in the appliance.  
Keep the gas pipe from twisting during tightening by using the two wrench system. Do not use pliers!

4. Check the gas connections for leaks.

### **! WARNING**

Escaping gas leads to a risk of explosion.  
Check all fittings and the gas shut-off valve for gas leaks.

5. Connect the cables/leads:
  - Fan motor (A) (2 plugs)
  - Ionization electrode (B)
  - Ignition unit (C)
  - Ground (D)

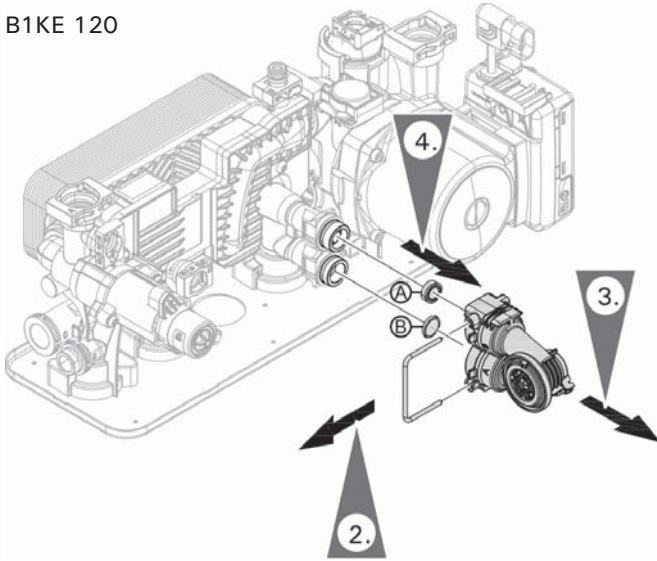


B1HE/KE 150 and 199

**Checking the Neutralizing System (if installed)**

**Checking the Flow Limiter (only for gas condensing combi boiler)**

B1KE 120

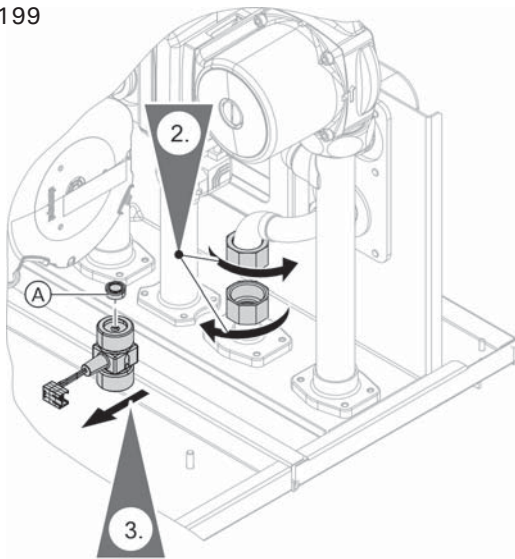


1. Remove the control unit.  
Remove the burner.  
Drain the boiler on the DHW side.
2. ■ Remove the spring clip.  
■ On a B1KE-199 boiler, undo the G 3/4" union nut at the cold water inlet and the union nut on the upper side of the flow sensor. Pull the pipe out.
3. Remove the DHW flow sensor.
4. Check flow limiter (A) and filter sieve (B). Replace in case of excessive scaling or damage. Reinsert.
5. Install the DHW flow sensor with new gaskets in the reverse order 18 lb.ft (24 Nm) torque for the union nuts.

**! WARNING**

Risk of electric shock from escaping heating water or DHW.  
Check all water side connections for tightness.

B1KE 199



**Flow limiter**

Output	Flow rate	Color
B1KE 120	3.7 GPM 14 L/min	pink
B1KE 199	5.3 GPM 20 L/min	green



## Checking the Expansion Tank (on site) and System Pressure

Perform check with the system cold.

1. Drain boiler/system and reduce pressure until the manometer reading is "0".
2. If the nitrogen pressure of the precharged expansion tank is less than the static pressure of the system, inflate membrane pressure to slightly exceed pressure of system.

The static pressure required at the tank is based upon the static height of the system. The system fill pressure value must be equal to the expansion tank pressure value at approximately 60°F (15.6°C).

**Note:** Static head of 33 ft. (10 m) (distance between boiler and topmost heat emitter surface) corresponds to a static pressure of 0.8 bar (12 psig).

3. Top up with water until filling pressure is higher than the inlet pressure of the diaphragm expansion tank.  
**Note:** With the system cold, the filling pressure must be approximately 3 psig higher than the static pressure.

**B1HE/KE 85/120**

Maximum operating pressure: .....45 psig

Minimum operating pressure: .....12 psig

**B1HE/KE 150/199**

Maximum operating pressure: .....60 psig

Minimum operating pressure: .....12 psig

4. When starting up the system for the first time, mark this value as the minimum filling pressure on the pressure gauge.

**Note:** A lower pressure gauge reading usually indicates loss of water due to leakage. All leaks must be repaired.

## Checking the Safety Valve Function

Ensure proper operation of low water cut-off(s) (if applicable), pressure relief valve, and pump(s).

Check pressure gauge, air vent and pressure relief valve. Ensure that pressure relief valve does not leak and that it operates in accordance with information provided by the original manufacturer.



Refer to maintenance instructions supplied with low water cut-offs, pumps, etc.

Flush float water type low water cut-offs (if used).

Follow local regulations with respect to backflow preventers.

If oil-lubricated pumps are used, ensure proper lubrication.

If motorized zone valves are used, refer to maintenance instructions provided with zone valves.

## Checking All Gas Equipment for Leaks at Operating Pressure



**WARNING**

The gas supply piping must be leak tested before placing the boiler in operation.



**CAUTION**

Ensure all joints of gas line are pressure tight and that gas valves do not leak when under normal operating pressure (use approved leak detection liquid). Do not use open flame.

## Fitting the Front Panel

See page 30.

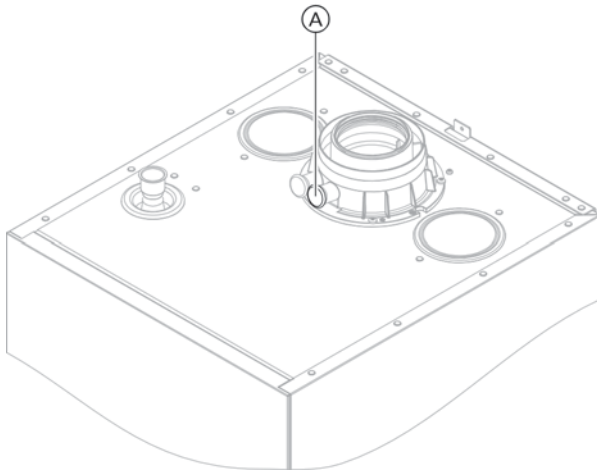
## Checking the Combustion Quality

The Vitodens 100-W is factory set for operation with natural gas.

The electronic combustion controller automatically ensures optimum combustion quality.

During commissioning/maintenance, only the combustion values need to be checked. To do this, test the CO content and CO<sub>2</sub> or O<sub>2</sub> content, and record these in the report on page 99.

**Note:** To prevent operating faults and damage, operate the boiler with uncontaminated combustion air.



### Permissible CO<sub>2</sub> or O<sub>2</sub> content

#### Operation with natural gas

- CO<sub>2</sub> content: 6.9 - 11%
- O<sub>2</sub> content: 2.1 - 8.4%

#### Operation with LPG

- CO<sub>2</sub> content: 8.3 - 12.4%
- O<sub>2</sub> content: 2.1 - 8.4%

The CO emissions shall not exceed 400 ppm within the specified range.

If the actual CO<sub>2</sub> or O<sub>2</sub> values are outside their respective ranges, proceed as follows:

- Check the flue system for leaks; see page 49.
- Check the ionization electrode and connecting cable; see page 51.

**Note:** During commissioning, the combustion controller carries out an automatic calibration. Allow approx. 50 sec after the burner has started before testing the emissions.

1. Connect a flue gas analyzer at flue gas port (A) on the boiler flue connection.
2. Open the gas shut-off valve. Start the boiler. Create a call for heat.
3. Set the lower heating output. See the following chapter.
4. Check the CO<sub>2</sub> content. If the actual value deviates from the permissible ranges, implement steps listed above.
5. Enter the value into the report.
6. Set the upper heating output. See the following chapter.
7. Check the CO<sub>2</sub> content. If the actual value deviates from the permissible ranges by more than 1%, implement steps listed above.
8. Enter the value into the report.
9. Re-seal test port (A).

### WARNING

Escaping flue gas can damage your health.  
Check test port (A) for leaks.

### IMPORTANT

A CO<sub>2</sub> measurement (see page 60) must be taken before and after working on gas boilers to eliminate health risks and to guarantee the satisfactory condition of the system.




Record the measured combustion values in the sequence stated in the Maintenance Record on page 99 in this manual.


## Checking the CO<sub>2</sub> Content / Relay Tests

### Setting the upper/lower heating output

**Note:** Ensure adequate heat transfer.

Tap the following buttons:

1.  and OK simultaneously for approx. 4 sec, then release.
2. Use  to select "Actuator test".
3. OK
4. Use  to select the "Boiler" group.
5. OK

6. Use  to select "Burner mod. set value".
  7. OK
  8. Set the lower heating output:  
Select "Minimum heating output".  
Confirm with "OK".  
The burner now operates at the lower heating output.
  9. Set the upper heating output:  
Select "Maximum heating output".  
Confirm with "OK".  
The burner now operates at the upper heating output.
- The control unit must be matched to the system equipment level.

## Clock Natural Gas Meter

Clock natural gas meter to verify input

1. Ensure all other gas equipment served by the meter is turned off during timing of gas input to the Vitodens 100-W boiler.
2. Measure the time in seconds it takes for the boiler to use 10 cu. ft. of gas. Divide  $3600 \times 10$  by the number of seconds and you get the number of cu. ft. of gas used per hour. Multiply this number by the heating value of the gas to obtain Btu per hour input.

For example:

A Vitodens 100-W 150 boiler (150 000 Btu/h input) requires 240 seconds to use 10 cu. ft. of natural gas. After contacting the local utility, you find the heating value is e.g.

1000 Btu per cu. ft.

Therefore,

$((3600 \times 10)/240) \times 1000 \cong 150\,000$  Btu/h input.

Therefore, the boiler input is correct.

Burner input formulas:

INPUT =  $(3600 + t) \times 1000$  where

t = TIME (sec.) for 1 ft.<sup>3</sup>

INPUT =  $(3600 \times .01 \times 1000 \times 35.31) + T$  where

T = TIME (sec.) for .01 m<sup>3</sup> natural gas



### CAUTION




Always contact your gas utility to obtain the correct heating value before clocking the meter.

### IMPORTANT



A boiler under fired by 5% is still acceptable.  
Do not over fire the boiler.

## Calling Up and Resetting the Maintenance Display

Checking service messages

1. 
2. Use  to select "Active messages".
3. OK
4. Use  to select "Maintenance".
5. OK  
Existing messages are displayed.

Reset maintenance (after maintenance has been carried out)

1.  and OK simultaneously for approx. 4 sec, then release.
2. Use  to select "Reset service messages".
3. OK

## Instructing the System User

The system manufacturer must provide the operator of the system with the operating instructions and instruct the operator in the system operation.

This also includes all components added as accessories, e.g. remote controls. The system installer should also provide information on the required maintenance.

### DHW hygiene

For optimum DHW hygiene, avoid DHW temperatures that are < 122°F (50°C). For larger systems and systems with low water exchange, the temperature should not drop below < 140°F (60°C).

### Hygiene function (B1HE only)

The DHW can be heated to a specified (higher) target DHW temperature for a period of one hour.

To activate the function, see the operating instructions. Inform the system user what DHW temperatures should be set and the risks associated with having a raised outlet temperature at the draw-off points.

## Calling Up Parameters










**Note:** All parameters are accessible via a software tool, such as the “Vitoguide mobile” app.

- Parameters are split into the following groups:
  - “General”
  - “Boiler”
  - “DHW”

**Note:** The display and setting of some parameters is dependent on:

- Boiler

Tap the following buttons:

1.  and OK simultaneously for approx. 4 sec, then release.
2. Use   to select “System configuration”.
3. OK
4. Use   to select the required group.
5. OK
6. Use   to select the parameter for adjustment. See tables below.
7. OK
8.   for the required value.
9. OK

**General****Note:** Parameter values in bold are factory settings.**508.0 "UTC time zone"**

Setting		Explanations
	<b>2</b> -24 to +24	Setting of the UTC time zone in which the boiler is located. The factory setting is UTC +1 h Time difference adjustable from -12 h to +12 h in increments of 0.5 h

**896.0 "Display correction for outside temperature"**

Setting		Explanations
	<b>0</b> -10 to +10	Correction of measured outside temperature Correction in the factory setting 0 K (0°F) Correction adjustable from -10 to +10 K in 1 K increments (-18°F to +10°F in 1.8°F increments)

**912.0 "Automatic summer/wintertime changeover"**

Setting		Explanations
No	0	Automatic changeover switched off
Yes	<b>1</b>	Automatic changeover switched on

**912.1 "Earliest day of changeover from winter to summertime"**

Setting		Explanations
	<b>25</b> 1 to 31	Changeover from 02:00 h to 03:00 h occurs on the Sunday after or on this set date. Day of changeover adjustable from 1st to 31st of the month

**912.2 "Month of changeover from winter to summertime"**

Setting		Explanations
	<b>3</b> 1 to 12	Month of changeover: March Month of changeover adjustable from January to December

**912.3 "Earliest day of changeover from summer to wintertime"**

Setting		Explanations
	<b>25</b> 1 to 31	Changeover from 03:00 h to 02:00 h occurs on the Sunday after or on this set date. Day of changeover adjustable from 1st to 31st of the month

**912.4 "Month of changeover from summer to wintertime"**

Setting		Explanations
	<b>10</b> 1 to 12	Month of changeover: October Month of changeover adjustable from January to December

**1098.4 "Gas volume correction factor"**

Setting		Explanations
	<b>1,0000</b> .7000 to 1.0000	Value is provided on the gas supplier's bill. Used for gas consumption data. Calorific value adjustable from 0.7000 to 1.0000 in increments of 0.0001.

**General** (continued)**Note:** Parameter values in bold are factory settings.**1098.5 "Calorific value"**

Setting		Explanations
	<b>10,0000</b> 5.0000 to 40.0000	Value is provided on the gas supplier's bill. Used for gas consumption data.  Calorific value adjustable from 5.0000 to 40.0000 kWh/m <sup>3</sup> in increments of 0.0001 If you don't have a supplier's bill - Conversion factor for Natural Gas: 1kWh/m <sup>3</sup> = 96.6 BTU/ft <sup>3</sup> - Conversion factor for Liquid Propane Gas: 25.8742 kWh/m <sup>3</sup> = 2500 BTU/ft <sup>3</sup>

**1504.0 "Source for date and time"**

Setting		Explanations
Local	<b>0</b> 1	Selection of source for date and time The setting depends on the boiler and accessories. Factory setting: The date and time are adopted from the control unit. Internet protocol (see parameter "508.0")

**2241.0 "Source outside temperature sensor "**

Setting		Explanations
	1	Hardwired

**Boiler****521.0 "Interval in burner hours run until next maintenance"**

Setting		Explanations
	<b>0</b> 0 to 25500	Number of burner hours to run until next service Burner hours until next service adjustable from 0 to 25500

**522.3 "Interval until next maintenance"**

Setting		Explanations
	0	Interval until next maintenance No interval selected
	1	3 months
	2	6 months
	3	12 months
	4	18 months
	5	24 months

**596.0 "Maximum heating output"**

Setting		Explanations
	<b>100</b> 0 to 100	A limit can be set on the maximum heating output for heating operation. Heating output in the factory setting 100% Adjustable from 0 to 100%

**597.0 "Limit, max. heating output for DHW heating"**

Setting		Explanations
	<b>100</b> 0 to 100	A limit can be set on the maximum heating output for DHW heating. Heating output in the factory setting 100% Adjustable from 0 to 100%

**Boiler** *(continued)***Note:** Parameter values in bold are factory settings.**1100.2 “Set speed of the primary circuit pump in heating mode”**

Setting		Explanations
		Target speed of internal circulation pump
		<ul style="list-style-type: none"> <li>■ In heating operation</li> <li>■ With external demand</li> <li>■ With demand in conjunction with a low loss header</li> </ul>
	...	Factory settings defined by settings specific to the boiler
		The setting range depends on the boiler

**1240.0 “Operating mode of primary circuit pump” (not for weather-compensated operation)**

Setting		Explanations
	1	“Automatic” Switched on regardless of current temperature level
	2	Modulating in line with the modulation level of the boiler. Boiler-specific min. and max. pump speeds are observed.
	7	Shutdown in reduced mode (in conjunction with constant operation or when no demand via room thermostat)

**1411.0 “Clear maintenance messages”**

Setting		Explanations
No	<b>0</b>	Clear maintenance messages once maintenance has been performed.
Yes	1	Maintenance messages are active (if present). Clear maintenance messages once.

**1503.0 “Minimum heating output”**

Setting		Explanations
	...	A limit can be set on the minimum heating output for heating operation.
	5 to 100	Factory settings defined by settings specific to the boiler Adjustable from 5 to 100%

**1606.0 “Minimum burner pause time”**

Setting		Explanations
	0	The minimum burner pause time can be set subject to boiler load. Fixed setting for minimum burner pause time
	<b>1</b>	Factory setting, integral method (see parameter 1606.4)

**1606.4 “Integral threshold for burner switch-off”**

Setting		Explanations
	<b>50</b>	Only effective if parameter 1606.0 has been set to 1. Factory setting 50 K x min (90°F x min)
	5 to 255	Adjustable from 5 to 255 K x min (9 to 459°F x min) The higher the value, the later the burner switches off.



## DHW

**Note:** Parameter values in bold are factory settings.

### 396.0 "Target DHW temperature"

Setting	Explanations
	Factory setting depends on boiler

### 497.0 "Operating mode of DHW circulation pump"

Setting	Explanations
<b>0</b>	DHW recirculation pump: Time program
4	Selected cycle (see parameter 497.3)

### 497.1 "DHW circulation pump for hygiene function"

Setting	Explanations
Off <b>0</b>	DHW recirculation pump: In accordance with the selected time program
On 1	Switched on during hygiene function and after time program

**! WARNING**

**Risk of injury due to increased DHW temperature. Inform the system user of the risk from the raised outlet temperature at the draw-off points.**

### 497.2 "DHW circulation pump for DHW heating"

Setting	Explanations
Off <b>0</b>	DHW recirculation pump: In accordance with the selected time program
On 1	Switched on during DHW heating to the standard target value and after time program

### 497.3 "Number of cycles DHW circulation pump"

Setting	Explanations
<b>0</b>	Number of cycles per hour for 5 minutes each during the selected time phase: 1 cycle 2 cycles 3 cycles 4 cycles 5 cycles 6 cycles
1	
2	
3	
4	
5	

### 503.0 "Scald protection"

Setting	Explanations
Off <b>0</b>	The adjustable water temperature is limited to a maximum value. Scald protection switched off
On 1	<b>⚠ Risk of injury due to increased DHW temperature Inform the system user of the risk from the raised outlet temperature at the draw-off points.</b> Scald protection switched on (maximum DHW temperature 140°F (60°C)) <b>Note:</b> Even with the scald protection switched on, higher outlet temperatures may occur at the draw-off points in the following cases: <ul style="list-style-type: none"> <li>■ With active hygiene function</li> <li>■ While the boiler is being calibrated</li> </ul>



**DHW** (continued)

534.0 "Circulation pump run-on"		
Setting		Explanations
120 s	<b>120</b> 0 to 900	Circulation pump run-on after storage tank heating Factory setting 120 sec run-on Run-on time adjustable from 0 to 900 sec in 60 sec increments (the run-on time is rounded down to full minutes) <b>Note:</b> To avoid damaging the boiler, do not set the run on time to < 120 sec.
1085.0 "Tank heating: Start point target"		
Setting		Explanations
	<b>25</b> 10 to 100	Start point for DHW heating below target DHW temperature Factory-set start point 2.5 K (5°F) below target DHW temperature Adjustable start points: 10: 1.0 K (1.8°F)... 100: 10.0 K (18°F) <b>Note:</b> Parameter not valid for a DHW tank with temperature switch! Irrespective of this, the stop point is 2.5 K (5°F) above the target DHW temperature.
1087.0 "Max. duration, DHW heating"		
Setting		Explanations
	<b>60</b> 0 1 to 240	After a set period of time has elapsed, DHW heating ends even though the target DHW temperature has not yet been reached. Not adjustable on gas condensing combi boilers Factory setting 60 min No time limit for DHW heating Duration of DHW heating adjustable from 1 to 240 min in 1 min increments
1087.1 "Min. delay until next time DHW is heated"		
Setting		Explanations
	<b>60</b> 60 to 240	Minimum delay before DHW heating starts again after the maximum duration from 1087.0 has been exceeded, even though there is a demand. Not adjustable on gas condensing combi boilers Factory setting, delay of 60 min Delay adjustable from 60 to 240 min in 1 min increments
1101.2 "Set speed of the primary circuit pump for DHW heating"		
Setting		Explanations
	...	Target speed of the internal circulation pump when operated as a DHW pump Factory settings defined by settings specific to the boiler The setting range depends on the boiler

## Service Menu

### Calling up the service menu

Tap the following buttons:


1.  and OK simultaneously for approx. 4 sec, then release.
2. Select the required menu section.  
**Note:** Not all menu areas will be available, depending on the system equipment level.  
**Note:** The boiler automatically switches on the WiFi access point. Further commissioning steps according to the instructions in the software tool used (e.g. "Vitoguide mobile" app)  
**Note:** Tap "" to return to the "main service menu"

### Service menu overview

Service		
Active messages		
Reset maintenance		
Connect with software tool		
Diagnostics		
Actuator test		
System configuration		
Message history		
Emissions test mode		
High limit safety cut-out test		
Basic settings		
<table border="1"> <tr> <td>Factory settings</td> </tr> <tr> <td>Commissioning assistant</td> </tr> </table>	Factory settings	Commissioning assistant
Factory settings		
Commissioning assistant		
Exit demo mode		

### Leaving the service menu

Tap the following buttons:

- "" for 4 sec.  
**Note:** The system exits the service menu automatically after 30 min.

### Diagnostics





#### Checking operating data

Operating data can be checked in various areas. See "Diagnostics" in the service menu overview. Operating data on heating circuits with mixing valve can only be called up if such components are installed in the system.

**Note:** If a called up sensor is faulty, "- -" appears on the display.

#### Calling up operating data






Tap the following buttons:

1.  and OK simultaneously for approx. 4 sec, then release.
2. Use  to select "Diagnostics".
3. OK
4. Use  to select the required group.
5. OK
6. Use  to select the required information.

## Checking Outputs (actuator test)

**Note:** When the actuator test is started, all actuators are initially disabled and valves moved to their central position.

Tap the following buttons:

1.  and OK simultaneously for approx. 4 sec, then release.
2. "Actuator test"
3. OK
4. OK to confirm the prompt.
5. Use  to select the required group.
6. OK
7. Use  to select the actuator. See the table below.
8. OK
9.  for the required value.
10. OK  
**Note:** The function is active for 30 min.
11. Use  to end the Actuator test.

**Checking Outputs (actuator test) (continued)**

The following actuator functions can be controlled subject to the system and boiler equipment level:

Display		Explanation
<b>Boiler group</b>		
Fan speed	Target value	Burner fan speed in rpm (rotations/minute)
Burner modulation, target value	<ul style="list-style-type: none"> <li>■ Off</li> <li>■ Minimum heating output</li> <li>■ Maximum heating output</li> <li>■ Maximum DHW output</li> </ul>	Modulation level (in accordance with specific boiler settings)
3-way valve target position	<ul style="list-style-type: none"> <li>Heating</li> <li>Middle</li> <li>DHW</li> </ul>	<ul style="list-style-type: none"> <li>3-way diverter valve set to heating operation</li> <li>3-way diverter valve in central position (filling/draining)</li> <li>3-way diverter valve set to DHW heating</li> </ul>
<b>Heating group</b>		
Primary circuit pump speed	Target value	Internal circulation pump speed in %
3-way valve target position	<ul style="list-style-type: none"> <li>Heating</li> <li>Middle</li> <li>DHW</li> </ul>	<ul style="list-style-type: none"> <li>3-way diverter valve set to heating operation</li> <li>3-way diverter valve in central position (filling/draining)</li> <li>3-way diverter valve set to DHW heating</li> </ul>
Heating circuit 1 pump speed	Target value	Speed, heating circuit pump, heating circuit 1 without mixing valve in %
<b>DHW group (domestic hot water)</b>		
Primary circuit pump, target speed	Target value	Internal circulation pump in %
3-way valve target position	<ul style="list-style-type: none"> <li>Heating</li> <li>Middle</li> <li>DHW</li> </ul>	<ul style="list-style-type: none"> <li>3-way diverter valve set to heating operation</li> <li>3-way diverter valve in central position (filling/draining)</li> <li>3-way diverter valve set to DHW heating</li> </ul>
Tank loading pump	<ul style="list-style-type: none"> <li>On</li> <li>Off</li> </ul>	
DHW recirculation pump	<ul style="list-style-type: none"> <li>On</li> <li>Off</li> </ul>	
Transfer pump hygiene function	<ul style="list-style-type: none"> <li>On</li> <li>Off</li> </ul>	
DHW pump	<ul style="list-style-type: none"> <li>On</li> <li>Off</li> </ul>	

## Fault Display on the Programming Unit





If there is a fault, the display shows "Burner fault" or "Active messages".

**Note:** If a central fault message facility is connected, this is started.




If "Connection error" appears on the display:  
Check connecting cable and plug between HMU heat management unit and HMI programming unit.

### Calling up fault messages

Tap the following buttons:

1. "≡"
2.  for:
  - "Details", if burner faults are present.
  - "Active messages", if further faults are present.
3. OK
4.  for "Fault" to display all fault messages.
5. OK
6.  for the required message  
For an explanation of the fault codes, see the following table.
7. OK
8. "≡" for "Fault"
9.  to call up further messages

### Acknowledge fault display



1. "≡"
2.  for "Active message"
3. OK
4.  for "Fault" to display all fault messages.
5. OK
6.  for "Acknowledge" to acknowledge all fault messages.

**Note:** Service messages are also acknowledged.

**Note:** Any connected central fault message facility stops. If an acknowledged fault is not remedied, the fault message will be redisplayed the following day at 07:00, and the fault message facility restarts.

### Calling up acknowledged fault messages

Tap the following buttons:

1. "≡"
2.  for "Active messages".
3. OK
4.  for "Fault"
5. OK

**Note:** When troubleshooting, always observe the subscriber number of the component.  
Check the component displayed. Remedy fault if applicable.

To identify the affected module, check the position of rotary switch S1 on the module if necessary.





The following is displayed:

- Date and time of the occurrence of the fault
- Fault code
- Description of the fault
- Subscriber number of the component on which the fault has occurred:
  - CAN BUS subscriber components
  - 1 HMU heat management unit
  - 50 BCU burner control unit
  - 58 Communication module (TCU 200)
  - 59 HMI programming unit
  - 60 Fan unit



### Calling up fault messages from the fault memory (message history)

The 10 most recent faults (including those remedied) and service messages are saved and can be called up. Faults are sorted by date.

Tap the following buttons:

1.  and OK simultaneously for approx. 4 sec, then release.
2.  for "Message history"
3. OK
4. Use  to select the required category.
  - "Faults" to call up saved fault messages.
  - "Service messages" to call up saved service messages.
  - "Status", to call up the saved status messages.
  - "Warnings" to call up saved warning messages.
  - "Information", to call up saved service information.
 For messages, see chapter "Further messages", page 70.
5. OK
6.  for the required message
7. OK

### Delete message list

1.  and OK simultaneously for approx. 4 sec, then release.
2. "Message history"
3. OK
4. Use  to select "Delete message list".
5. OK
6. OK to confirm the prompt.

**Fault Display on the Programming Unit** *(continued)*

**Further messages**

**Service messages**

Message on the display	Meaning
P.1	Interval until the next service.
P.4	Top up heating water.
P.8	Service due after burner hours run.

**Status messages**

Message on the display	Meaning
S.60	Summer mode active (outside temperature economy function)
S.74	Heating suppression, heating
S.75	DHW recirculation pump active
S154-1	Boiler internal flowswitch is in the open position

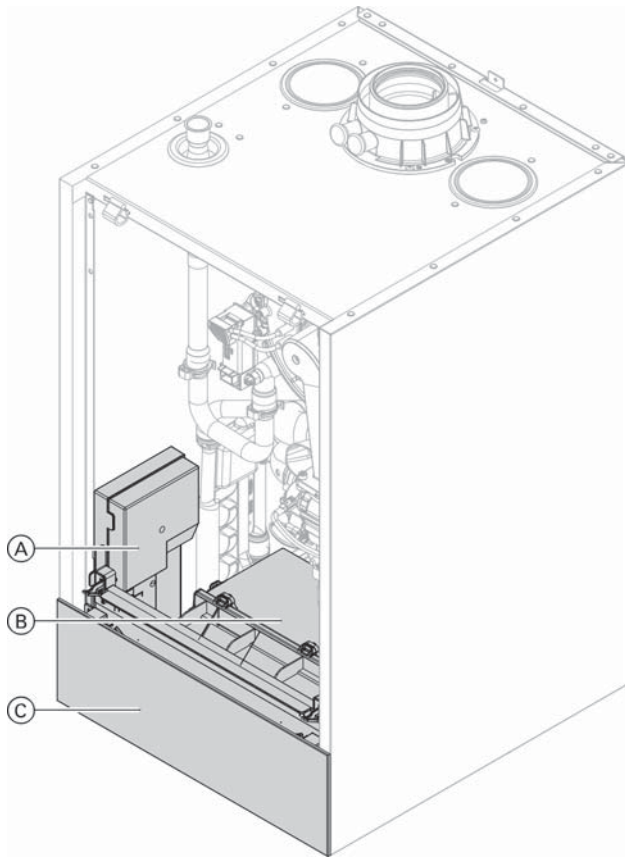
**Warning messages**

Messages on the display	Meaning	Measure
A.12	Real time clock battery flat.	Replace the battery (type CR2032) in the HMU heat management unit.
A.18	Possible condensate backup in the heat cell	Check combustion chamber and condensate drain. Condensate may escape when removing the burner door. Take appropriate precautions to protect the electronic components. If condensate is backed up into the combustion chamber, replace the insulating ring, insulating block, flame body, insulating mats and ionization electrode. If the condensate has reached the flame body assembly, also replace the gasket of the flame body assembly.
A.19	Temperature limiter has responded	
A.20	Service interval could not be activated.	Check the time and date settings.

**Information**

Messages on the display	Meaning
I.56	External demand active
I.57	External blocking active
I.59	Parameters were restored (parameter set was flashed to BCU electronics module).

## Overview of Electronics Modules



**Legend**

- Ⓐ BCU burner control unit
- Ⓑ HMU heat management unit with wiring panel
- Ⓒ HMI programming unit with WiFi communication module



## Fault Messages

**Note:** For diagnostics and troubleshooting, see chapter “Repairs”.

Fault messages dependent on boiler equipment level

Displayed fault code	System characteristics	Cause	Measures
F.5	System continues operating in normal mode with replacement value.	Lead break or short circuit	Check plug 33/X6 and cable: <ul style="list-style-type: none"> <li>■ Check voltage level, to see if 5V present at plug 33, pin 1 and 2.</li> <li>■ Turn the gas condensing system boiler ON/OFF switch off and back on again.</li> </ul>
F.7	No DHW heating	Lead break, storage tank temperature sensor	<ul style="list-style-type: none"> <li>■ Check DHW setting in the commissioning assistant and correct if necessary.</li> <li>■ Check storage tank temperature sensor (plug 5, wires 3 and 4).</li> <li>■ Measure voltage at sensor input on electronics module. Target value: 3.3V– with sensor disconnected. Replace faulty component if necessary.</li> </ul>
F.8	No DHW heating	Short circuit, storage tank temperature sensor	Check storage tank temperature sensor (plug 5, wires 3 and 4). Replace faulty component if necessary.
F.13	Regulates as if the outside temperature were 32°F (0°C).	Lead break, outside temperature sensor	<ul style="list-style-type: none"> <li>■ Check the operating mode setting in the commissioning assistant and correct if necessary.</li> <li>■ Check outside temperature sensor and connection to sensor (external plug, contacts 1 and 2).</li> <li>■ Measure voltage at sensor input on electronics module. Target value: 3.3V– with sensor disconnected. Replace faulty component if necessary.</li> </ul>
F.14	Regulates as if the outside temperature were 32°F (0°C).	Short circuit, outside temperature sensor	Check outside temperature sensor and connection to sensor (external plug, and contacts 1 and 2). Replace faulty components if necessary.
F.49	Burner in a fault state	Flue gas temperature sensor disconnection	Check flue gas temperature sensor. Reset the boiler.
F.50	Burner in a fault state	Short circuit, flue gas temperature sensor	Check flue gas temperature sensor. Reset the boiler.
F.59	Burner locked out	Power supply, low voltage	Check mains voltage. If voltage is correct and the fault occurs repeatedly, replace the fan unit.

**Fault Messages** *(continued)*

Displayed fault code	System characteristics	Cause	Measures
F.62	Burner in a fault state	High limit safety cut-out has responded.	<ul style="list-style-type: none"> <li>■ Check heating system fill level.</li> <li>■ Check pre-charge pressure in diaphragm expansion tank. Adjust to required system pressure.</li> <li>■ Check whether flow rate is sufficient (flow sensor and circulation pump).</li> <li>■ Check 3-way diverter valve function in actuator test. Vent the system. Reset the boiler.</li> </ul>
F.63	Burner in a fault state	Flue gas temperature limiter has responded.	<ul style="list-style-type: none"> <li>■ Check heating system fill level.</li> <li>■ Check pre-charge pressure in diaphragm expansion tank. Adjust to required system pressure.</li> <li>■ Check whether flow rate is sufficient (flow sensor and circulation pump).</li> <li>■ Check 3-way diverter valve function in actuator test. Vent the system. Reset the boiler once the flue system has cooled down.</li> </ul>
F.67	Burner in a fault state	Ionization current lies outside the permissible range	<p>Check gas supply (gas pressure and gas flow switch), check gas solenoid valve and inlet strainer.</p> <p>Check ionization electrode:</p> <ul style="list-style-type: none"> <li>■ Clearance to flame body assembly.</li> <li>■ Check electrode/flame body assembly for contamination.</li> </ul> <p>If specified measures don't help, replace fan unit. Reset the boiler.</p>
F.68	Burner in a fault state	Flame signal is already present at burner start.	<p>Close the gas shut-off valve. Remove connecting cable of the ionization electrode. Reset the boiler.</p> <p>If the fault persists, replace BCU burner control unit: See page 89.</p>
F.69	Burner in a fault state	Ionization current lies outside the permissible range	<p>Check ionization electrode:</p> <ul style="list-style-type: none"> <li>■ Check whether insulation block is touching electrode ceramic.</li> <li>■ Check gas solenoid valve: Activate "Minimum heating output" for approx. 4 min in actuator test. If this causes a fault to occur, replace BCU burner control unit.</li> <li>■ In the actuator test, switch from "Minimum heating output" to "Maximum heating output". If this fault occurs during modulation, check the intake screen for contamination. Replace the fan unit if necessary.</li> </ul>

**Fault Messages** *(continued)*

Displayed fault code	System characteristics	Cause	Measures
F.70	Burner in a fault state	Internal error burner control unit	Replace BCU burner control unit: See page 89.
F.71	Burner in a fault state	Fan speed too low	<ul style="list-style-type: none"> <li>■ Check fan for blockage.</li> <li>■ Check the gas type and flue system setting in the commissioning assistant and correct if necessary.</li> </ul> Reset the boiler.
F.72	Burner in a fault state	Fan idle state not reached	Reset the boiler. If fault occurs repeatedly, replace fan unit.
F.73	Burner in a fault state	Internal communication error	Reset the boiler. If fault recurs, replace BCU burner control unit: See page 89.
F.74	Burner locked out. Internal circulation pump off. No central heating and no DHW heating.	Water pressure too low	Top up with water. Vent the system. If the fault occurs repeatedly: <ul style="list-style-type: none"> <li>■ Check system pressure sensor with external manometer.</li> <li>■ Check diaphragm expansion tank pre-charge pressure.</li> <li>■ Check settings for target system pressure and range.</li> </ul>
F.77	Burner in a fault state	Data memory burner control unit	Reset the boiler. If fault recurs, replace BCU burner control unit: See page 89.
F.89	No central heating and no DHW heating	Internal circulation pump blocked	Check circulation pump. Replace if necessary.
F.142	Burner in a fault state	Communication error CAN bus	<ul style="list-style-type: none"> <li>■ Check the fan unit for correct function. For this, check the stepper motor of the fan unit (reference run with mains ON).</li> <li>■ If the fault still persists, visually check the plug-in connections and cables of the CAN bus.</li> <li>■ Check further CAN bus subscribers.</li> </ul> If fault still persists, replace the fan unit.
F.160	Burner in a fault state	Communication error CAN bus	<ul style="list-style-type: none"> <li>■ If "Connection error" is displayed, check the internal CAN bus subscriber connections.</li> <li>■ If only F.160 is displayed, check the connections of the external CAN bus subscribers.</li> <li>■ Check the connecting cables for firm seating and corrosion.</li> </ul> Reset the boiler.
F.161	Burner in a fault state	BCU data memory access error	Reset the boiler. If fault recurs, replace BCU burner control unit: See page 89.
F.163	Burner in a fault state	Memory access checksum error BCU	Reset the boiler. If fault recurs, replace BCU burner control unit: See page 89.

**Fault Messages** *(continued)*

Displayed fault code	System characteristics	Cause	Measures
F.182	No DHW heating	Short circuit, outlet temperature sensor (if installed)	Check outlet temperature sensor (plug X1, cores 13 and 14). Measure sensor input on electronics module. Target value: 3.3V– with sensor disconnected
F.183	No DHW heating	Lead break, outlet temperature sensor (if installed)	Check outlet temperature sensor (plug X1, cores 13 and 14).
F.184	Burner in a fault state	Short circuit, common supply temperature sensor/ high limit safety cutout	Check the supply temperature sensor/high limit safety cut-out. Check sensor lead. Replace faulty component if necessary. Reset the boiler.
F.185	Burner in a fault state	Lead break, common supply temperature sensor/high limit safety cut-out	Check the supply temperature sensor/high limit safety cut-out. Replace faulty component if necessary. Reset the boiler.
F.299	Time/date incorrect	Real time clock setting incorrect	Set the time and date.
F.342	No central heating, no DHW heating	Communication error, BCU burner control unit	<ul style="list-style-type: none"> <li>■ Check connecting cable to the burner control unit plug X4 on BCU.</li> <li>■ Check all plug-in connections and cables of the internal CAN.</li> <li>■ Remove all plugs except X4, X2, X16 and X18 from the BCU burner control unit. Check whether fault persists.</li> </ul> <p><b>Note:</b> Several other fault messages will be added due to the removed plugs. Ignore these. If fault message F.342 is no longer shown, reinsert the plugs one by one and establish which component is faulty. Reset the boiler.</p>
F.345	Burner locked out, automatic enabling after boiler cool down. Independent restart.	Temperature limiter has responded. See boiler specification.	<ul style="list-style-type: none"> <li>■ Ensure adequate heat transfer.</li> <li>■ Check heating system fill level.</li> <li>■ Check pre-charge pressure in diaphragm expansion tank. Adjust to required system pressure.</li> <li>■ Check whether flow rate is sufficient (flow sensor and pump).</li> <li>■ Check 3-way diverter valve function in actuator test. Vent the system.</li> </ul> <p>If the fault occurs during DHW heating: Check DHW tank or plate heat exchanger for contamination and scaling.</p>

**Fault Messages** *(continued)*

Displayed fault code	System characteristics	Cause	Measures
F.346	Burner in a fault state	Ionization current calibration error	<ul style="list-style-type: none"> <li>■ Check the gas supply pressure.</li> <li>■ Check gas solenoid valve strainer on the inlet side for contamination.</li> <li>■ Check ionization electrode for contamination.</li> <li>■ Check flue system. Remove flue gas recirculation if necessary.</li> <li>■ Check the connecting cable to the fan unit.</li> <li>■ Check whether condensate is backed up.</li> </ul> Reset the boiler.
F.348	Burner in a fault state	Gas modulation valve	If several boilers are connected to a common flue system: Check whether "Multiple connections" is set in the commissioning assistant. Check the flue system for unrestricted flow. If the fault persists, replace the gas fan unit.
F.349	Burner in a fault state	Air mass flow rate not detected correctly in fan unit.	<ul style="list-style-type: none"> <li>■ Check for dust contamination in the ventilation air.</li> <li>■ Check flame body assembly for contamination.</li> </ul> Reset the boiler. If the fault occurs repeatedly, replace the gas fan unit.
F.350, F.351	Burner in a fault state	Ionization current lies outside the permissible range	Replace BCU burner control unit: See page 89.
F.352	Burner in a fault state	CO limit within boiler exceeded	Check entire flue gas path for the following: <ul style="list-style-type: none"> <li>■ Flue gas recirculation</li> <li>■ Leaks</li> <li>■ Flue gas back pressure caused by water pocket (if flue system fall is insufficient)</li> <li>■ Constrictions</li> <li>■ Blockages</li> </ul> Repair flue system if necessary. Reset the boiler.
F.353	Burner shutdown with restart if demand exists	Insufficient gas supply, burner output reduced	Check the gas supply. Optically check input-side screen in the gas solenoid valve for contamination. Reset the boiler.
F.354	Burner in a fault state	Gas modulation valve tolerance outside permissible range	Replace gas fan unit.
F.355	Burner in a fault state	Analogue signal reference check: Flame signal is already present at burner start.	Replace BCU burner control unit: See page 89.
F.357	Burner in a fault state	Insufficient gas supply	<ul style="list-style-type: none"> <li>■ Check that the gas shut-off valve is open.</li> <li>■ Optically check input-side screen in the gas solenoid valve for contamination.</li> <li>■ Test static gas pressure and gas flow pressure.</li> <li>■ Check that on-site gas line and gas flow switch are correctly sized.</li> </ul> <p><b>Note:</b> If the building pressure regulator has a leak, you may notice rising pressure when the burner is idle. When the system is restarted, the gas flow switch may trip. If the static pressure doesn't drop, check cable to the fan unit. Check whether the coil resistance at the fuel valve is approx. 4 k Ω (plug 35, contact 2 and 4). Check the ignition electrode for damaged insulation.                      Reset the boiler.</p>

**Fault Messages** *(continued)*

Displayed fault code	System characteristics	Cause	Measures
F.359	Burner in a fault state	No ignition spark	<ul style="list-style-type: none"> <li>■ Check whether the ignition electrode insulation is damaged.</li> <li>■ Check for a voltage of 120V ~ at the ignition module during the ignition phase. If not, replace the BCU burner control unit.</li> <li>■ If 120V ~ is present at the ignition module but there is still a fault, replace the ignition module.</li> <li>■ Check connecting cables and leads from ignition module and ignition electrode.</li> </ul> Reset the boiler. <ul style="list-style-type: none"> <li>■ Check the condensate system for a backup or clog, replace the insulation blocks, electrodes and flame body if necessary.</li> </ul>
F.361	Burner in a fault state	Flame signal is not present or insufficient at burner start.	Check ionization electrode and connecting cable. Check plug-in connections for loose contacts. <b>Note:</b> Deposits on the electrodes indicate foreign bodies in the combustion air. Check the installation room and flue system for causes of the deposits. For example: Laundry detergents, cleaning agents, toiletries, deposits in the ventilation air supply (chimney). Reset the boiler
F.366, F.367	Burner in a fault state	Gas valve electricity supply does not turn off.	Replace BCU burner control unit: See page 89.
F.369	Burner in a fault state	Flame loss immediately after flame formation (during safety time)	Check gas supply (gas pressure and gas flow switch). Check balanced flue system for flue gas recirculation. Check ionization electrode: <ul style="list-style-type: none"> <li>■ Clearance to flame body assembly.</li> <li>■ Contamination on electrode.</li> </ul> Reset the boiler.
F.370	Burner in a fault state	Fuel valve or modulation valve will not close.	Reset the boiler. If fault occurs repeatedly, replace fan unit.
F.372	Burner in a fault state	Repeated flame loss during calibration	<ul style="list-style-type: none"> <li>■ Check ionization electrode and connecting cable.</li> <li>■ Check plug-in connections for loose contacts.</li> <li>■ Check flue system. Remove flue gas recirculation if necessary.</li> <li>■ Check system for condensate backup.</li> <li>■ Visually inspect gas solenoid valve inlet and strainer on the inlet side for contamination.</li> </ul> <b>Note:</b> To prevent water damage, detach fan unit before removing the burner. Deposits on the electrodes indicate foreign bodies in the combustion air. Check the installation room and flue system for causes of the deposits. For example: Laundry detergents, cleaning agents, toiletries, deposits in the ventilation air supply (chimney). If flame body assembly and ionization electrode have been replaced, also clean fan unit, gas/air channel and Venturi extension. Reset the boiler.
F.373	Burner in a fault state	Heat transfer too low during calibration Temperature limiter has shut down.	<ul style="list-style-type: none"> <li>■ Ensure adequate heat transfer.</li> <li>■ Check circulation pump for faults, scale or blockages.</li> <li>■ Check 3-way diverter valve function in actuator test. Vent the system.</li> <li>■ Check function of flow sensor.</li> </ul> Reset the boiler.

**Fault Messages** *(continued)*


Displayed fault code	System characteristics	Cause	Measures
F.377	Burner in a fault state	Post-processing of ionization adjustment: Stabilization conditions for post calibration not met	Check gas type setting. If fault recurs, replace BCU burner control unit: See page 89. Reset the boiler.
F.378	Burner in a fault state	Flame loss during stabilization or operating phase	<ul style="list-style-type: none"> <li>■ Check gas supply (gas pressure and gas flow switch).</li> <li>■ Check flue gas recirculation.</li> <li>■ Check for contamination of ionization electrode and flame body assembly.</li> </ul> Reset the boiler.
F.379	Burner in a fault state	Flame signal not present or insufficient	<ul style="list-style-type: none"> <li>■ Check ionization electrode connecting cable for damage and firm seating.</li> <li>■ Check ionization electrode; replace if necessary.</li> </ul> Reset the boiler.
F.380	Burner in a fault state	Flame loss immediately after flame formation (during safety time)	Check gas supply (gas pressure and gas flow switch). Check balanced flue system for flue gas recirculation. Check ionization electrode and flame body assembly: <ul style="list-style-type: none"> <li>■ Clearance to flame body assembly</li> <li>■ Contamination on electrode</li> </ul> Reset the boiler.
F.381	Burner in a fault state	Flame loss during operating phase	Check gas supply (gas pressure and gas flow switch). Check balanced flue system for flue gas recirculation. Check ionization electrode and flame body assembly: <ul style="list-style-type: none"> <li>■ Clearance to flame body assembly.</li> <li>■ Contamination on electrode</li> </ul> Reset the boiler.
F.382	Burner in a fault state	Error counter has exceeded limit.	Reset the boiler. Work through fault analysis using fault history.
F.383, F.384	Burner in a fault state	Possible contamination of gas line	<ul style="list-style-type: none"> <li>■ Check gas line for contamination.</li> <li>■ Check the gas supply pressure.</li> <li>■ Replace gas fan if necessary.</li> </ul> Reset the boiler.
F.385	Burner in a fault state	Short circuit, signal 1, ionization current. BCU burner control unit faulty.	Check ionization electrode and connecting cable. If fault persists, replace BCU burner control unit: See page 89. Reset the boiler.
F.386	Burner in a fault state	BCU burner control unit faulty	Replace BCU burner control unit: See page 89. Reset the boiler.
F.387	Burner in a fault state	Ground fault, ionization current. BCU burner control unit faulty.	<ol style="list-style-type: none"> <li>1. Check system for condensate backup.                             <ul style="list-style-type: none"> <li>■ Check the condensate drain and siphon trap.</li> <li>■ Replace insulation blocks, electrodes and flame body assembly if necessary.</li> </ul> <b>Note:</b> To prevent water damage, detach fan unit before removing the burner. Protect electronic components from escaping condensate.                              If there is no condensate backup, take the following steps:                         </li> <li>2. Check ionization electrode and connecting cable.                              If fault persists, replace BCU burner control unit: See page 89.                              Reset the boiler.                         </li> </ol>
F.388	Burner in a fault state	BCU burner control unit faulty	Replace BCU burner control unit: See page 89. Reset the boiler.



**Fault Messages** *(continued)*

Displayed fault code	System characteristics	Cause	Measures
F.395	Burner in a fault state	IO electrode ground fault, BCU burner control unit faulty	Check ignition electrode for ground fault. If fault persists, replace BCU burner control unit: See page 89. Reset the boiler.
F.396	Burner in a fault state		Replace BCU burner control unit: See page 89. Reset the boiler.
F.399	Burner in a fault state		Check IO electrode for ground fault. If fault persists, replace BCU burner control unit: See page 89. Reset the boiler.
F.400	Burner in a fault state	BCU burner control unit faulty	Replace BCU burner control unit: See page 89. Reset the boiler.
F.401	Burner in a fault state	IO electrode ground fault, BCU burner control unit faulty	Check IO electrode for ground fault. If fault persists, replace BCU burner control unit: See page 89. Reset the boiler.
F.402	Burner in a fault state	BCU burner control unit faulty	Replace BCU burner control unit: See page 89. Reset the boiler.
F.403	Burner in a fault state	Ionization electrode ground fault, BCU burner control unit faulty	Check IO electrode for ground fault. If fault persists, replace BCU burner control unit: See page 89. Reset the boiler.
F.404	Burner in a fault state	BCU burner control unit faulty	Replace BCU burner control unit: See page 89. Reset the boiler.
F.405	Burner in a fault state	Ionization electrode ground fault, BCU burner control unit faulty	Check IO electrode for ground fault. If fault persists, replace BCU burner control unit: See page 89. Reset the boiler.
F.406, F.408, F.410	Burner in a fault state	BCU burner control unit faulty	Replace BCU burner control unit: See page 89. Reset the boiler.
F.416	Burner locked out	Flue gas temperature sensor incorrectly positioned	Fit flue gas temperature sensor correctly. See "Repairs". Carry out mains reset after fault has been remedied.
F.417, F.418	Burner in a fault state	BCU burner control unit faulty	Replace BCU burner control unit: See page 89. Reset the boiler.
F.425	System operating normally; calculation not working	Time synchronization failed	Set the time. If external time is used, check parameters 1504 and 508.
F.430	Normal operation in line with target values of boiler	Communication error gateway	Check gateway module connecting cable and power supply.
F.446	Burner in a fault state	Deviation, boiler supply temperature sensor/ high limit safety cutout	Check the supply temperature sensor/high limit safety cut-out. Check plug-in connection and lead to sensor. Reset the boiler.

**Fault Messages** *(continued)*

Displayed fault code	System characteristics	Cause	Measures
F.447, F.448	Burner in a fault state	Deviation, ionization current signal	Replace BCU burner control unit: See page 89. Reset the boiler.
F.449, F.450, F.451, F.452	Burner in a fault state	Error in scheduled program run monitoring	Reset the boiler. If fault recurs, replace BCU burner control unit: See page 89.
F.453	Burner in a fault state	Synchronization error, sequence	Reset the boiler. If fault recurs, replace BCU burner control unit: See page 89.
F.454	Burner in a fault state	Incorrect software version	Flash the correct software version for the BCU burner control unit.
F.455	Burner in a fault state	Error in program run monitoring	Reset the boiler. If fault recurs, replace BCU burner control unit: See page 89.
F.456	Burner in a fault state	Error in program run monitoring	Reset the boiler. Check fan for sluggishness. In the case of severe contamination or grinding noises, replace fan unit.
F.457	Burner in a fault state	Fan sluggish or blocked.	Reset the boiler.
F.463	Burner in a fault state	Contaminated combustion air, flue gas recirculation	 Boiler installation and service instructions Check flue system for contamination and flue gas recirculation. Clean flue system if necessary. Reset the burner. <b>Note:</b> Deposits on the electrodes indicate foreign bodies in the combustion air. Check the installation room and flue system for causes of the deposits. For example: Laundry detergents, cleaning agents, toiletries, deposits in the ventilation air supply (chimney) If flame body assembly and ionization electrode have been replaced, also clean fan unit, gas/air channel and Venturi extension. Reset the boiler.
F.464	Burner in a fault state	Ionization current too low during calibration. Differential compared to previous value not plausible.	<ul style="list-style-type: none"> <li>■ Check ionization electrode and connecting cable. Check plug-in connections for loose contacts.</li> <li>■ Check whether there is a lot of dust in the ventilation air (e.g. from construction work).</li> <li>■ Check flue system. Remove flue gas recirculation if necessary.</li> <li>■ Check system for condensate backup.</li> </ul> Reset the boiler. <b>Note:</b> To prevent water damage, detach fan unit before removing the burner. Protect electronic components from escaping condensate. If fault is permanently present, replace the BCU burner control unit: See page 89. <b>Note:</b> Deposits on the electrodes indicate foreign bodies in the combustion air. Check the installation room and flue system for causes of the deposits. For example: Laundry detergents, cleaning agents, toiletries, deposits in the ventilation air supply (chimney) If flame body assembly and ionization electrode have been replaced, also clean fan unit, gas/air channel and Venturi extension.

**Fault Messages** *(continued)*

Displayed fault code	System characteristics	Cause	Measures
F.467	Burner in a fault state	Gas supply insufficient during calibration. Contaminated or insufficiently sized gas line.	<ul style="list-style-type: none"> <li>■ Test static gas pressure and gas flow pressure.</li> <li>■ Check that on-site gas line and gas flow switch are correctly sized.</li> <li>■ Visually inspect gas solenoid valve inlet and strainer on the inlet side for contamination.</li> </ul> Reset the boiler. <b>Note:</b> Contamination from a brazed gas line, for example, can block up the gas solenoid valve strainer on the inlet side.
F.468	Burner in a fault state	Ionization current too high during calibration	Check gap between ionization electrode and flame body assembly. Check whether there is a lot of dust in the ventilation air (e.g. from construction work).  Reset the boiler. <b>Note:</b> Deposits on the electrodes indicate foreign bodies in the ventilation air. Check the installation room and flue system for causes of the deposits. For example: Laundry detergents, cleaning agents, toiletries, deposits in the ventilation air supply (chimney) If flame body assembly and ionization electrode have been replaced, also clean fan unit, gas/air channel and Venturi extension.
F.471	No call for heat	Lead break or short circuit	<ul style="list-style-type: none"> <li>■ Check system (plug <span style="border: 1px solid black; padding: 0 2px;">33</span>).</li> <li>■ Check lead and plug-in connection.</li> <li>■ Measure, to see if supply voltage to sensor is 5V–.</li> </ul>
	No call for heat	HMU heat management unit communication error	Check connecting cable between BCU burner control unit and HMU heat management unit.
F.474	Burner in a fault state	Error in scheduled program run monitoring	Reset the boiler. If fault recurs, replace BCU burner control unit: See page 89.
F.527	Burner in a fault state	Incorrect parameter set, HMU heat management unit	Overwrite (flash) the HMU heat management unit with the correct parameter set: See page 89.
F.528	Burner in a fault state	Incorrect parameter set, BCU burner control unit	Overwrite (flash) the BCU burner control unit with the correct parameter set: See page 89.
F.540	Burner in a fault state	Condensate backup in the heat cell	<ul style="list-style-type: none"> <li>■ Check system for condensate backup.</li> <li>■ Check the condensate drain and siphon trap.</li> <li>■ Replace insulation blocks, electrodes and flame body assembly if necessary.</li> </ul> <b>Note:</b> To prevent water damage, detach fan unit before removing the burner. Protect electronic components from escaping condensate. Reset the boiler.

**Note:** If subscriber faults occur, "Fault, subscriber ..." is displayed.

**Repairs**

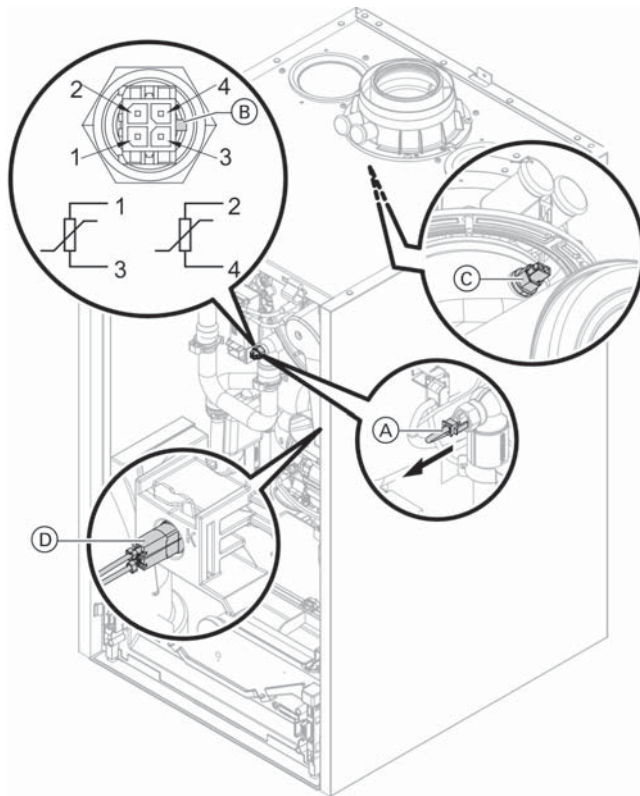
**IMPORTANT**

Residual water will escape when the boiler or one of the following components is fitted or removed:

- Water-filled pipework
  - Flow switch
  - Heat exchanger
  - Circulation pumps
  - Plate heat exchanger (B1KE)
  - Components fitted in the heating water or DHW circuit.
- Water ingress can result in damage to other components.

Protect the following components against ingress of water:

- Control unit components (in particular in the maintenance position and when open)
- Electrical components
- Plug-in connections
- Electrical cables/leads



**Shutting down the boiler**

1. Switch off the power supply.
2. Shut off the gas supply.
3. If the boiler needs to be removed:
  - Disconnect the balanced flue system.
  - Drain the boiler on the heating water and DHW sides.
  - Disconnect the on-site cables/leads.

**Checking the temperature sensors**

**Boiler temperature sensor (dual sensor)**

1. Check the leads and plugs of supply temperature sensors (A).
2. Disconnect the leads from supply temperature sensors (A).
3. Check the sensor resistance. Note position of guide lug (B).
  - Sensor 1: Connections 1 and 3
  - Sensor 2: Connections 2 and 4

Compare the resistances with the value for the current temperature from the following diagram. In the event of severe deviation (> 10%), replace the dual sensor.

**! WARNING**

The dual sensor is directly immersed in the heating water (risk of scalding). Drain the boiler on the heating water side before replacing the sensor.

**! WARNING**

Risk of electric shock from escaping heating water. Check the dual sensor for leaks.

**Flue gas temperature sensor**

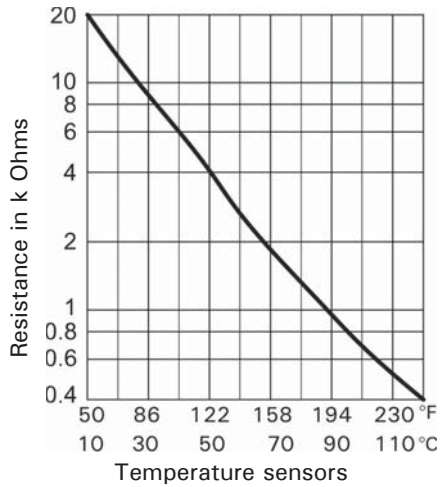
1. Check the lead and plug of flue gas temperature sensor (C).
2. Disconnect leads, flue gas temperature sensor (C).
3. Rotate sensor (anti-clockwise) by ¼ turn to remove it (bayonet fitting).
4. Check the sensor resistance. Compare the resistance with the value for the currently recorded temperature from the following diagram. In the event of severe deviation (> 10%), replace the sensor.
5. Rotate sensor (clockwise) by ¼ turn to install it.

**! WARNING**

Escaping flue gas can cause poisoning. When restarting, check for leaks on the flue gas side.

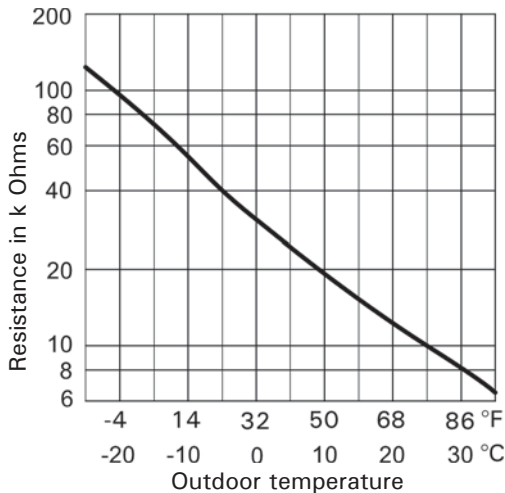
6. Reconnect leads, flue gas temperature sensor (C).
7. If the permissible flue gas temperature has been exceeded, the flue gas temperature sensor locks out the boiler. Reset the burner on the programming unit once the flue system has cooled down.

**Repairs** *(continued)*



Sensor type: NTC 10 kΩ

- Flue gas temperature sensor
- Supply temperature sensor
- Tank temperature sensor
- Outlet temperature sensor
- Temperature sensor, low loss header



Sensor type: NTC 10 kΩ

- Outside temperature sensor

**Tank temperature sensor/outlet temperature sensor**

1. Check lead and plug of tank temperature sensor [5] or outlet temperature sensor [4].
2. Disconnect wires of sensor plug.
3. Check the sensor resistance. Compare the resistance with the value for the current temperature from the following diagram.  
In the event of severe deviation (> 10%), replace the sensor.

**Outside temperature sensor**

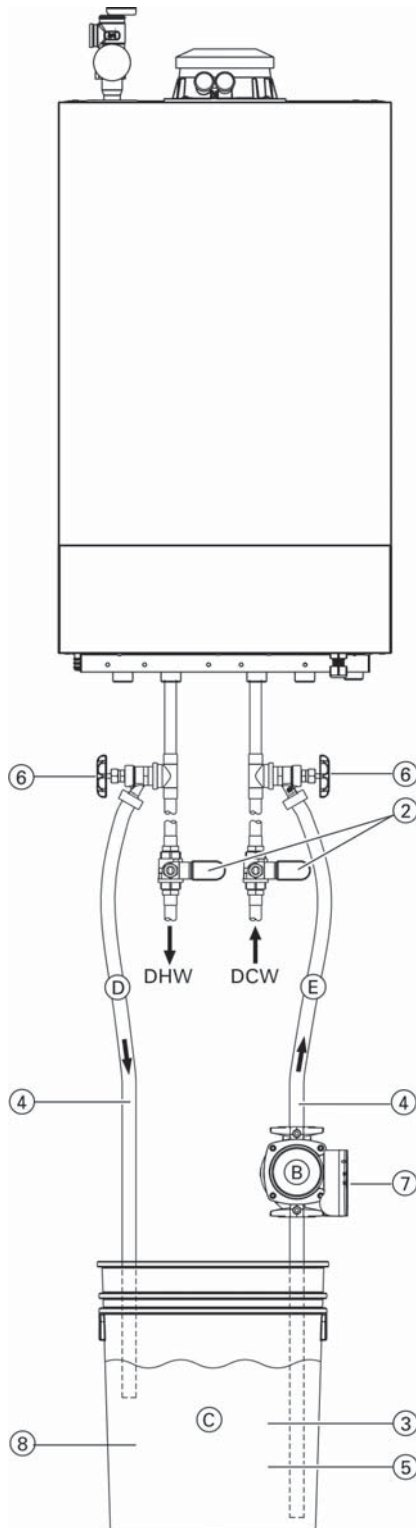
1. Check the cable and plug of the outside temperature sensor.
2. Disconnect wires 1 and 2 from terminal [1] on the wiring panel.
3. Check the sensor resistance. Compare the resistance with the value for the current temperature from the following diagram.  
If the results are very different from the curve (> 10 %), disconnect the wires from the sensor. Repeat the test directly on the sensor.  
Check the on-site lead. 2-core cable, length up to 115 ft (35 m) with a cross-section of 16 AWG (1.5 mm<sup>2</sup>)  
Depending on the result, replace the lead or the outside temperature sensor.

**Replacing the HMI connecting cable**

**IMPORTANT**

Incorrect routing of the cable can lead to heat damage and impairment of the EMC properties.  
For positioning and securing of the cable (fixing point of the cable tie) see connecting cable installation instructions.

**Repairs** (continued)



The brazed plate heat exchangers operate with high turbulence flow, even at low flow rates. This high turbulence keeps small particles in suspension minimizing fouling and scaling. In some applications the fouling can be very high (e.g. when using extremely hard water at high temperatures). It is always possible to clean the heat exchanger by circulating a cleaning solution. For optimum cleaning, the cleaning solution flow rate should not exceed the normal flow rate. Clean at regular intervals.

**Note:** Only chemical cleaning is possible (use chemicals which do not attack copper and stainless steel). Consult a plate heat exchanger cleaning specialist.

1. Disconnect electrical power to the boiler.
2. Close the shutoff valves and isolate boiler water from both heating system and domestic cold water in.
3. Pour approximately 5 gallons of new, food grade, white vinegar or citric acid into a pail.
4. Place the discharge hose (D) and hose (E) (connected to the pump inlet) into the pail of cleaning solution.
5. Attach other end of the hoses (D) and (E) to the heat exchanger.
6. Open both drain valves.
7. Operate the pump and allow the cleaning solution to circulate through the DHW portion of the heat exchanger for at least 60 minutes. Then turn off the pump.
8. Empty the pail and fill with clean potable water. Rinse the cleaning solution from the DHW heat exchanger by circulating clean water through it for at least 7 minutes. Repeat if necessary.
9. Close the drain valve, disconnect both hoses and return the system into operation.

**Legend**

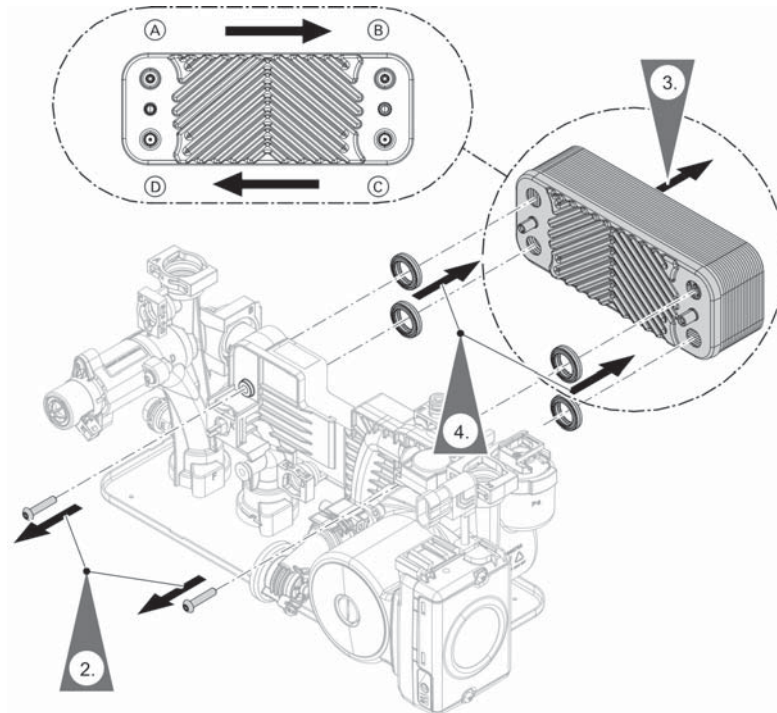
- (A) Vitodens 100 B1KE
- (B) Circulating pump (field supplied)
- (C) Cleaning solution (field supplied)
- (D) DHW discharge hose (field supplied)
- (E) DCW inlet hose (field supplied)



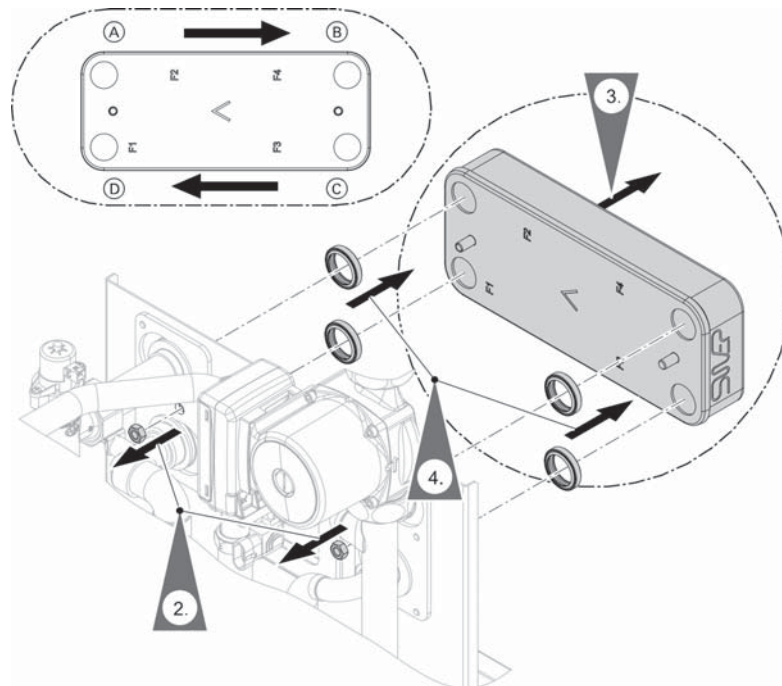
**Repairs** *(continued)*

**Checking the plate heat exchanger**

B1KE-120



B1KE-199



**Legend**

- (A) Heating water supply
- (B) Heating water return
- (C) Cold water
- (D) DHW

6167 818 - 07



**Repairs** *(continued)*

1. Shut off and drain the boiler on the heating water and DHW sides.
2. Undo screws.
3. Remove plate heat exchanger.  
**Note:** During and after removal, small amounts of water may trickle from the plate heat exchanger.
4. Remove gaskets and dispose of them.
5. Check connections on the DHW side for scaling. Clean or replace the plate heat exchanger as required.
6. Check connections on the heating water side for contamination. Clean or replace the plate heat exchanger as required.
7. Install plate heat exchanger in reverse order using new gaskets.  
Screw torque: 28 lb.in ± 2 (3.2 Nm ± 0.2)  
**Note:** During installation, ensure the connections are positioned and the gaskets seated correctly.



**WARNING**

Risk of electric shock from escaping heating water or DHW.  
Check all water side connections for tightness.

**Removing the hydraulic unit**

If components of the hydraulic unit have to be replaced.

- Close the gas shut-off valve and secure against unintentional reopening.
- Isolate the system from the power supply, e.g. by removing the separate fuse or by means of a mains isolator, and check that it is no longer live.
- Safeguard the system against reconnection.
- Wear suitable personal protective equipment when carrying out any work.



**WARNING**

Hot surfaces and media can cause burns or scalding.

- Before maintenance and service work, switch off the boiler and let it cool down.
- Never touch hot surfaces on the boiler, burner, flue system or pipework.

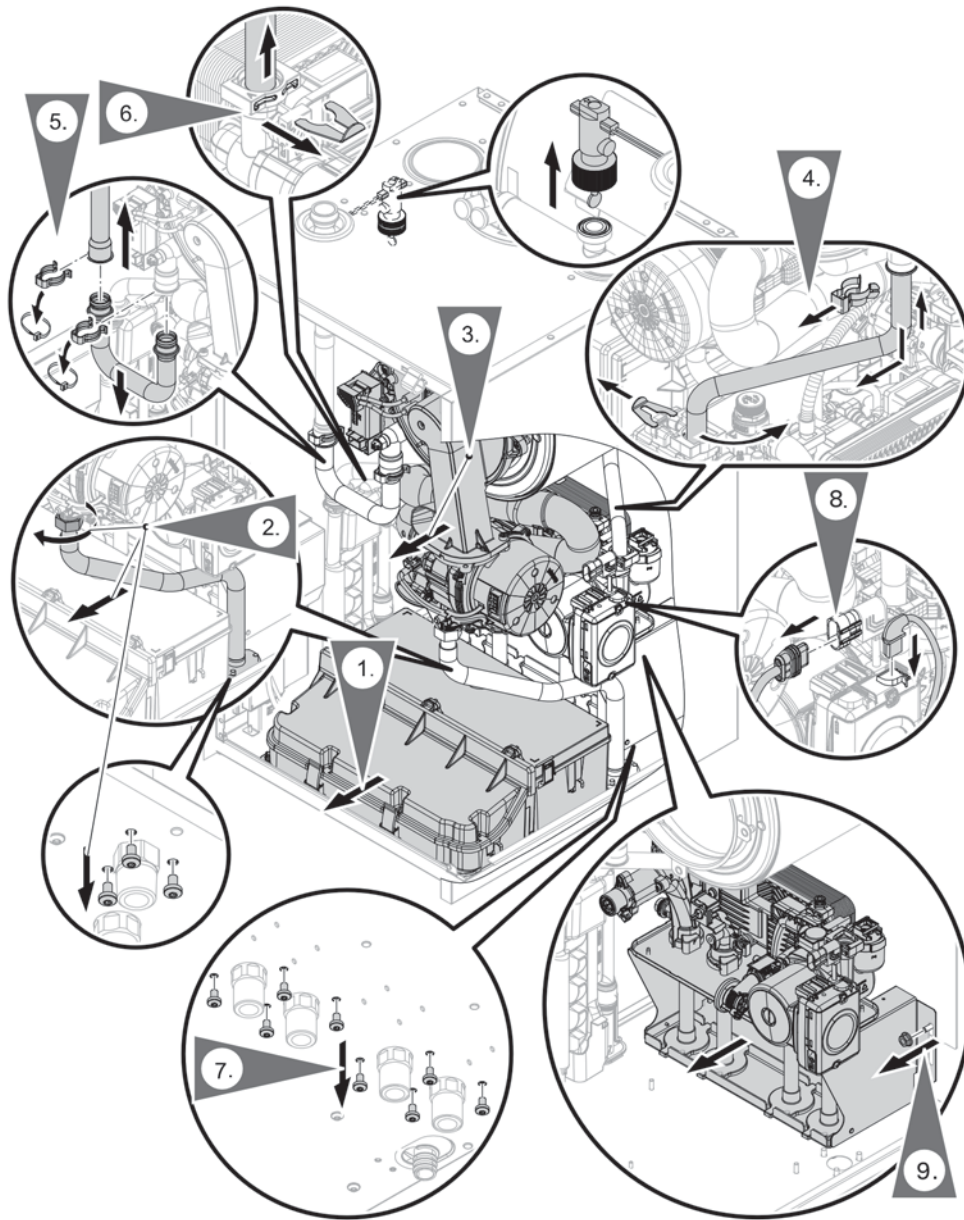
**IMPORTANT**

Electronic assemblies can be damaged by electrostatic discharge.

Before beginning work, touch grounded objects, such as heating or water pipes, to discharge any static. Disconnect all water and gas connections.

**Repairs** (continued)

B1HE/KE 85/120



1. Remove the control unit.
2. Unscrew the union nut at the top and screws at the bottom of the gas pipe.  
**Note:** Hold the union nut in place (with an open ended wrench) to prevent damage to the gas pipe, use the two handed method.
3. Remove the burner.
4. Remove the clips, push the pipe upwards and pivot it backwards. Then remove the pipe downwards.
5. Pull the clip off the supply pipe, new cable ties must be installed when securing the clips.

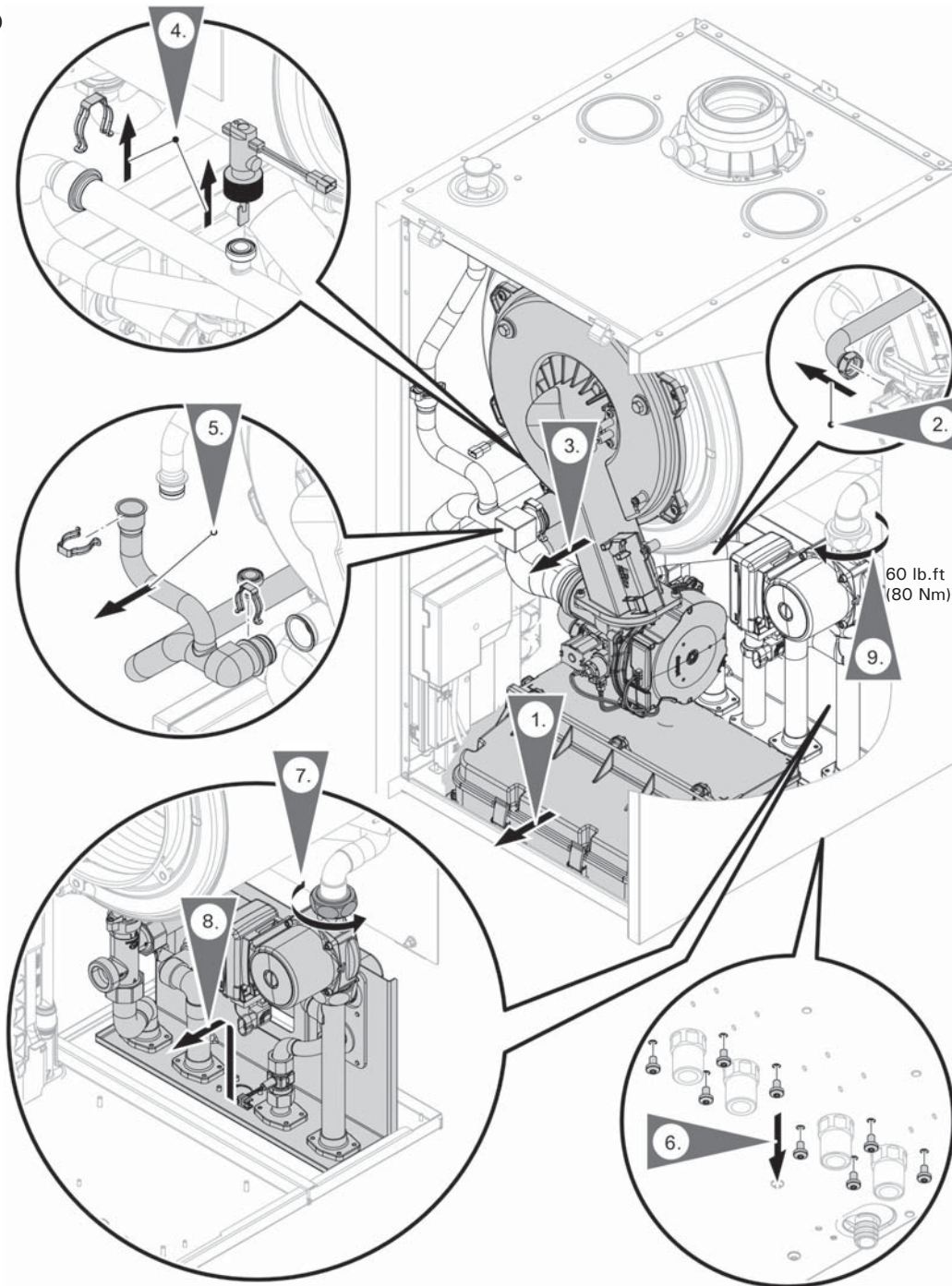
6. Pull off the clips. Push the supply pipe upwards.  
**Note:** If necessary, the safety valve with drain must be removed.
7. Undo the screws at the bottom of the hydraulic unit.
8. Unplug the cable.
9. Raise the hydraulic unit and remove it toward the front.  
The hydraulic unit is installed in reverse order.

**! WARNING**

Risk of electric shock from escaping heating water or DHW. Check the dual sensor for leaks.

**Repairs** *(continued)*

B1HE/KE 150



1. Remove the control unit.
2. Loosen the union nut on the gas pipe.  
**Note:** Hold the union nut in place (with an open ended wrench) to prevent damage to the gas pipe, use the two handed method.
3. Remove the burner.
4. Pull off the clip and remove the flow switch.
5. Pull off the clips and remove the supply pipe toward the front. When refitting the pipes new cable ties must be used to secure the clips.

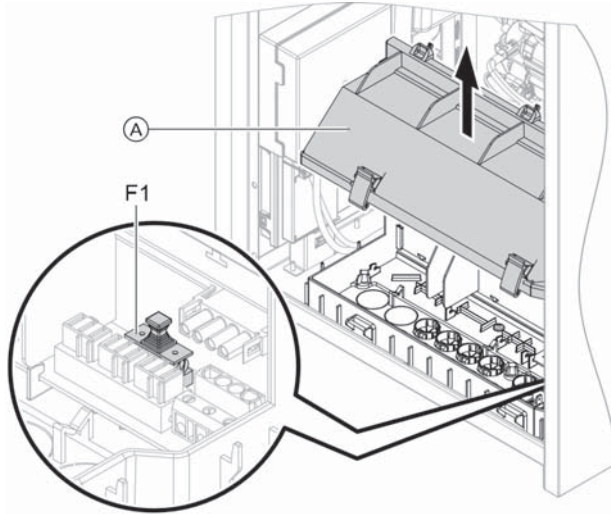
6. Remove the screws on the hydraulic plate at the bottom of the boiler.
7. Undo the union nut of the boiler pump.
8. Remove the hydraulic unit.
9. The hydraulic unit is installed in reverse order.



**WARNING**

Risk of electric shock from escaping heating water or DHW. Check the dual sensor for leaks.

**Repairs** *(continued)*



**Checking the fuse**

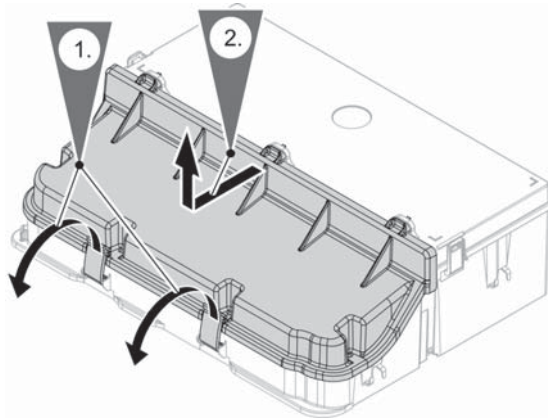
1. Turn off the ON/OFF switch.
2. Depending on the configuration: Move programming unit together with bracket to maintenance position.
3. Remove cover (A).
4. Check fuse F1 (see connection and wiring diagram).

**! WARNING**

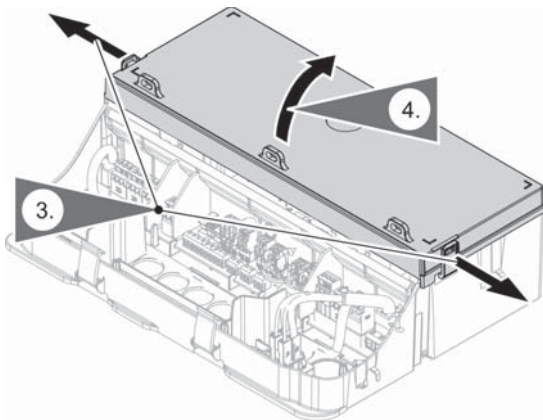
Incorrect or improperly fitted fuses can lead to an increased risk of fire.

- Insert fuses without using any force. Position fuses correctly.
- Only use structurally identical types with the specified response characteristics.

**Opening the Junction Box**



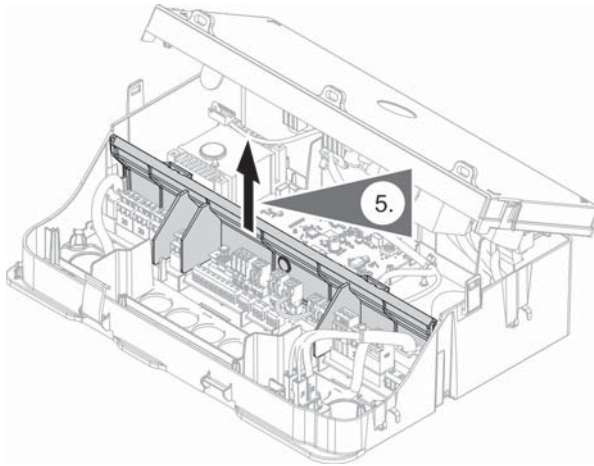
1. Folding down the red clips to open the front cover of the junction box.
2. Open the front cover by a turning movement.



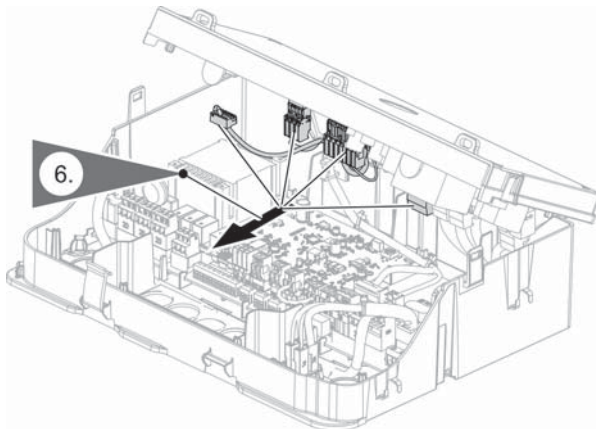
3. Push the side clips to the side to unlock the rear cover.
4. Now the rear cover is unlocked and can be turned out upwards and opened



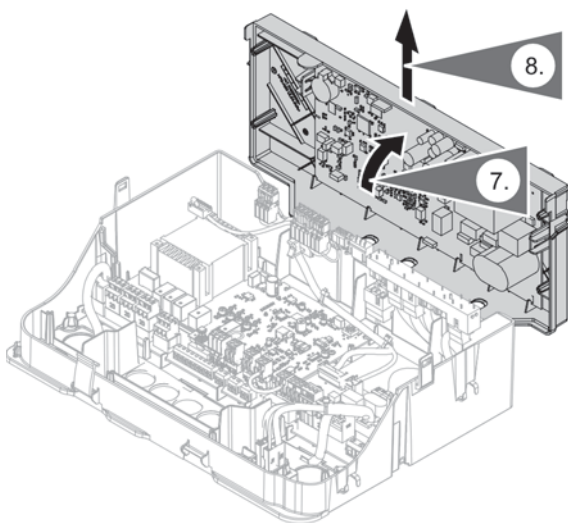
**Opening the Junction Box** *(continued)*



5. Now the separation wall can be removed.  
Pull it vertically upwards out of the lateral guides to its left and right.



6. The cables are now exposed and can be pulled off the pcbs.



7. The rear cover can then be removed and the circuit boards are fully visible.  
The interlock must be observed.
8. Lift up  
Refit in reverse order  
When assembling the separation wall, in addition to the lateral guides, pay attention to the latching with the rear cover.



**WARNING**

Errors in assembly can result in a leaking air box.

# Boiler Functions

## Purging program

During the purging program, the circulation pump will be alternately switched on and off for 30 sec over a period of 20 min.

The 3-way diverter valve alternates between central heating and DHW heating for a certain period of time. The burner is switched off during the purging program.



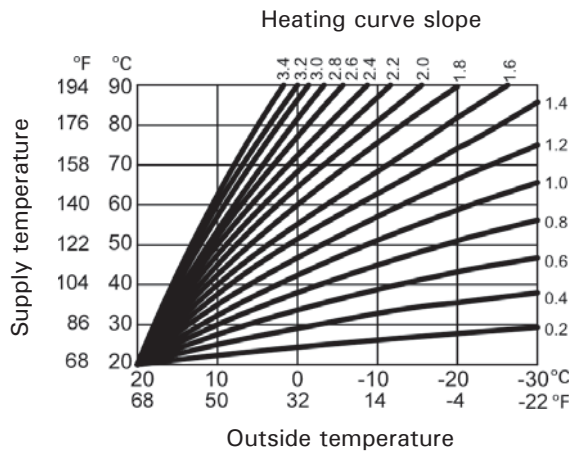
Activate venting program: See "Commissioning, inspection and maintenance".

## Heating curve

The heating curves represent the relationship between the outside temperature and the supply temperature. Simplified: The lower the outside temperature, the higher the supply temperature must be in order to reach the target room temperature.

Factory settings:

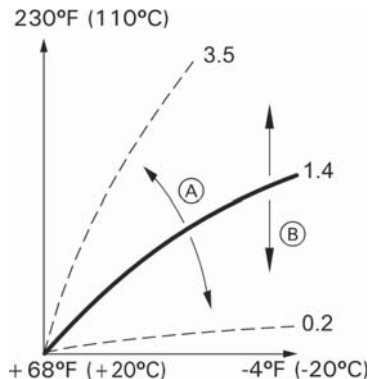
- Slope = 1.4
- Level = 0



Slope setting ranges:

- Infloor heating systems: 0.2 to 0.8
- Low temperature heating systems: 0.8 to 1.6

## Changing the slope and level



### Legend

- (A) Changing the slope
- (B) Changing the level (vertical parallel offset of the heating curve)

## Heating operation

### Weather-compensated operation:

The control unit determines a target supply temperature for the boiler, subject to the outside temperature and the slope/level of the heating curve.

**Note:** The target value is only requested when the contact at plug 96 is closed. When the contact is open, there is no demand and no frost protection.

### Constant operation with optional room thermostat:

System with one heating circuit without mixing valve. The rooms are heated in accordance with the settings of the room temperature controller/room thermostat (accessories).

If the room temperature controller/room thermostat issues a demand, the standard target supply temperature is maintained.

**Note:** The target value is requested when the contact at plug 96 is closed.

When the contact is open, there is no demand and no frost protection.

## Filling program

In the delivered condition, the 3-way diverter valve is set to its central position, so the system can be filled completely. After the control unit has been switched on, the 3-way diverter valve no longer goes into its central position.

If the system is to be filled with the control unit switched on, the 3-way diverter valve is moved to its central position in the filling program and the pump is started.



Activate filling program: See "Commissioning, inspection and maintenance".

In this position, the control unit can be switched off and the system can be filled completely. When the function is activated, the burner shuts down. The program automatically becomes inactive after 20 min.

## DHW Heating

### Vitodens 100, type B1HE

The burner, circulation pump and 3-way diverter valve are started or changed over if the tank temperature is 2.5 K (5°F) below the target tank temperature.

The factory-set target boiler water temperature is 20 K (36°F) higher than the target tank temperature.

If the actual tank temperature exceeds the target tank temperature by 2.5 K (5°F), the burner shuts down and circulation pump run-on begins.



### WARNING

**Risk of injury due to increased DHW temperature.**

Inform the system user of the risk from the raised outlet temperature at the draw-off points. If necessary, provide on-site scald protection measures.

### Tank with temperature switch (Aquastat)

The max. permissible target value of the boiler (depending on the boiler) is taken as the target.

Function:

No demand from Aquastat – no frost protection.

Demand from Aquastat – demand for target value (no time program for DHW and no scald protection; no increased DHW hygiene).

**Note:** The functions maximum duration of DHW heating (factory setting = 60 minutes) and minimum waiting time until the next DHW heating (factory setting = 60 minutes) still apply.

See system configuration, parameter "DHW"

- Gas condensing system boiler:  
If the target DHW temperature is set to over 140°F (60°C)
- Gas condensing combi boiler:  
If there are several draw-off events in quick succession or several boiler calibration processes

### Vitodens 100, type B1KE

If a DHW flow rate greater than 0.5 GPM is detected, the boiler switches on and regulates the DHW temperature to the target value.

## Increased DHW Hygiene

The DHW can be heated to a specified (higher) target DHW temperature (approx. 149°F (65°C) for a period of one hour.



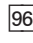
### WARNING

**Risk of injury due to increased DHW temperature.**

Inform the system user of the risk from the raised outlet temperature at the draw-off points. If necessary, provide on-site scald protection measures.

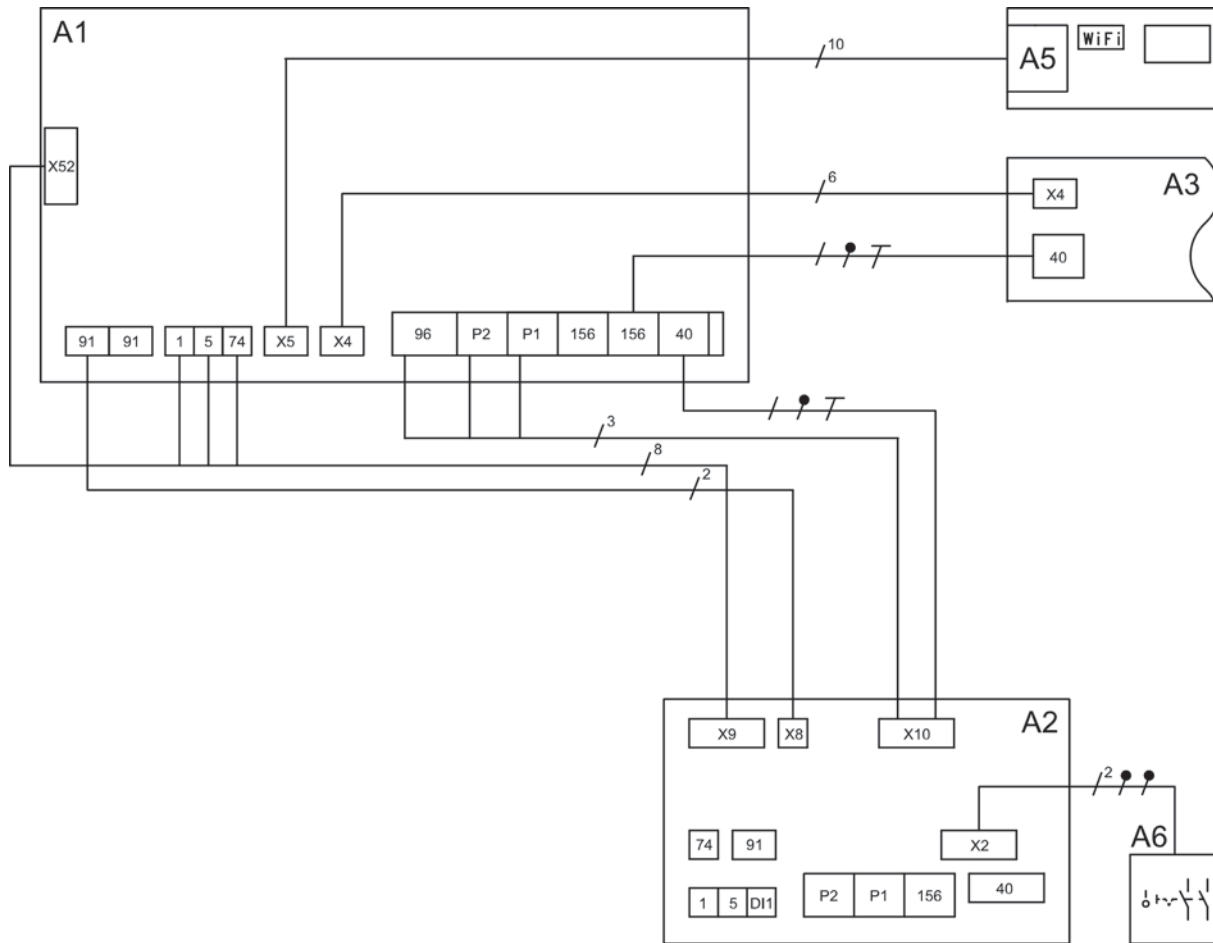
## Call for Heat

### ■ Function:

- If the external call for heat zone is active (contact plug  closed), the heating system is supplied with heat:
  - In weather-compensated operation – according to the current heating curve.
  - In constant operation – according to the adjusted target supply temperature.
- If the external call for heat is inactive (contact open), the heat supply is stopped.  
No frost protection of the zone.



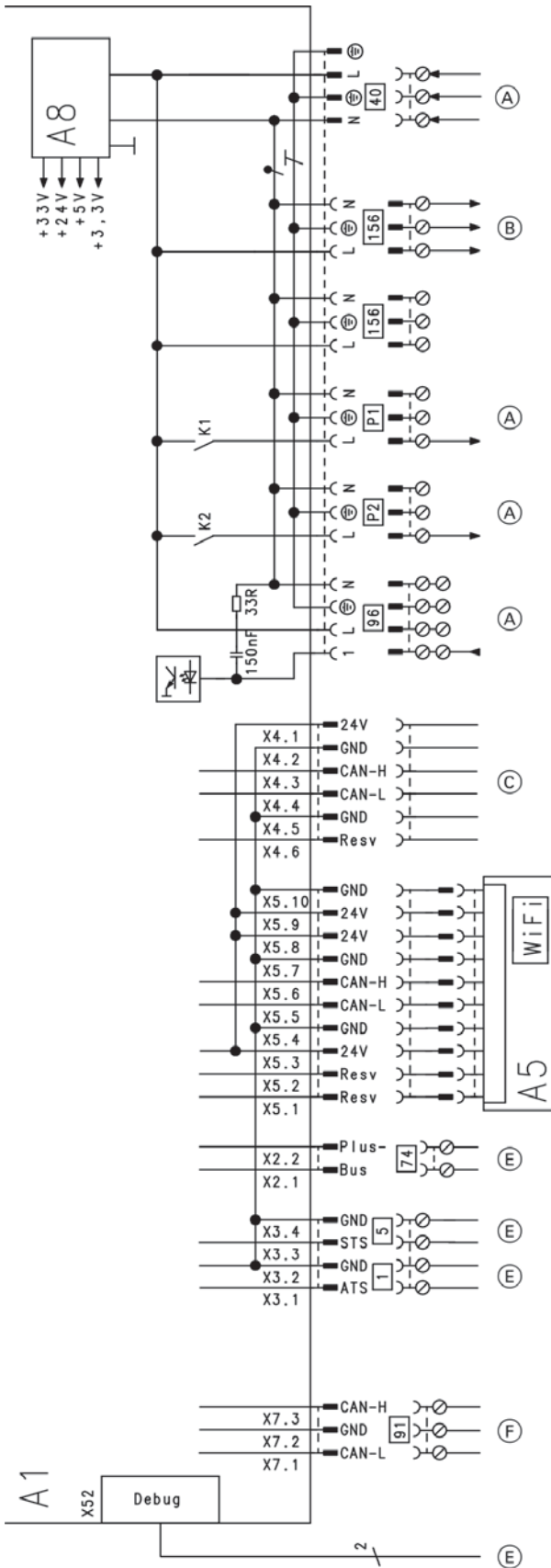
**Overview of the Modules**



**Legend**

- A1 HMU heat management unit
- A2 Wiring panel
- A3 BCU burner control unit
- A5 HMI programming unit with communication module (TCU 200)
- A6 ON/OFF switch

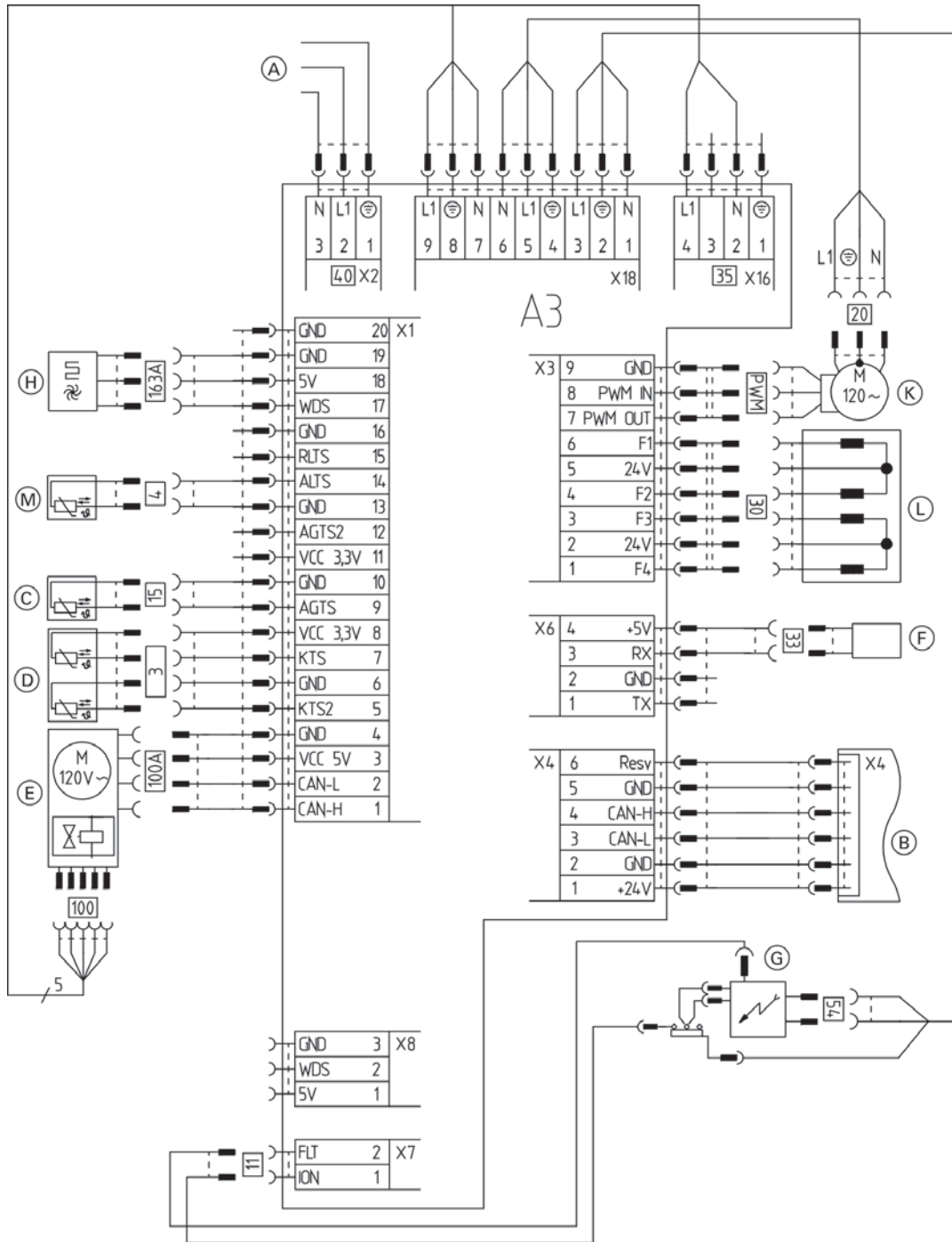
# HMU Heat Management Unit



**Legend**

- A1 HMU heat management unit
- A5 HMI programming unit with communication module (TCU 200)
- A8 Power supply unit
- 1 Outside temperature sensor (for weather-compensated operation)
- 5 Tank temperature sensor
- 40 Power supply
- 74 PlusBus
- 91 CAN bus
- 96 Input 120VAC (function configurable through K1 relay on WP board)
- 156 No function
- P1 Output 120V, 60 Hz
- P2 Output 120V, 60 Hz
- (A) To wiring panel X10
- (B) To the BCU burner control unit
- (C) To the BCU burner control unit
- (D) PlusBus connection
- (E) Wiring panel terminal X8/X9
- (F) CanBus connection

**BCU Burner Control Unit**

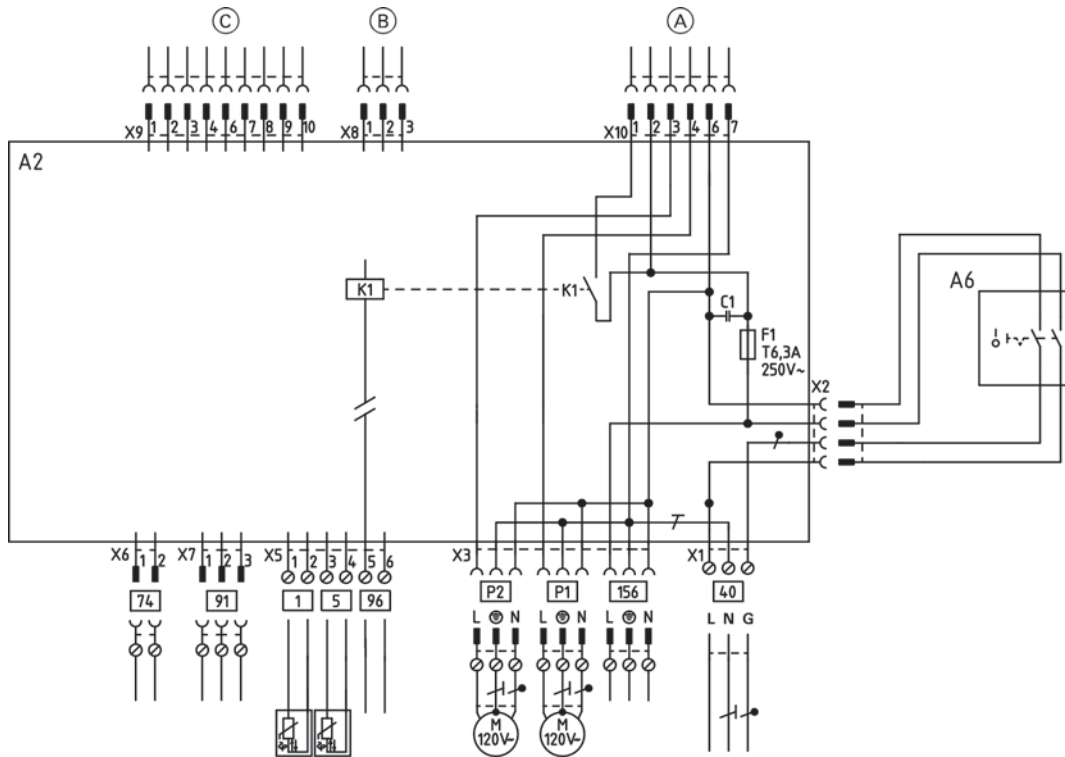


**Legend**

A3 BCU burner control unit

- (A) HMU heat management unit (plug 156)
- (B) HMU heat management unit (terminal X4)
- (C) Flue gas temperature sensor
- (D) Boiler water temperature sensor 1 and 2
- (E) Gas solenoid valve and fan motor with PWM switching and feedback
- (F) Boiler flow switch
- (G) Ignition unit and flame monitoring
- (H) DHW flow switch (B1KE only)
- (K) Internal circulation pump (primary pump)
- (L) 3-way diverter valve
- (M) DHW outlet temperature sensor (B1KE only)

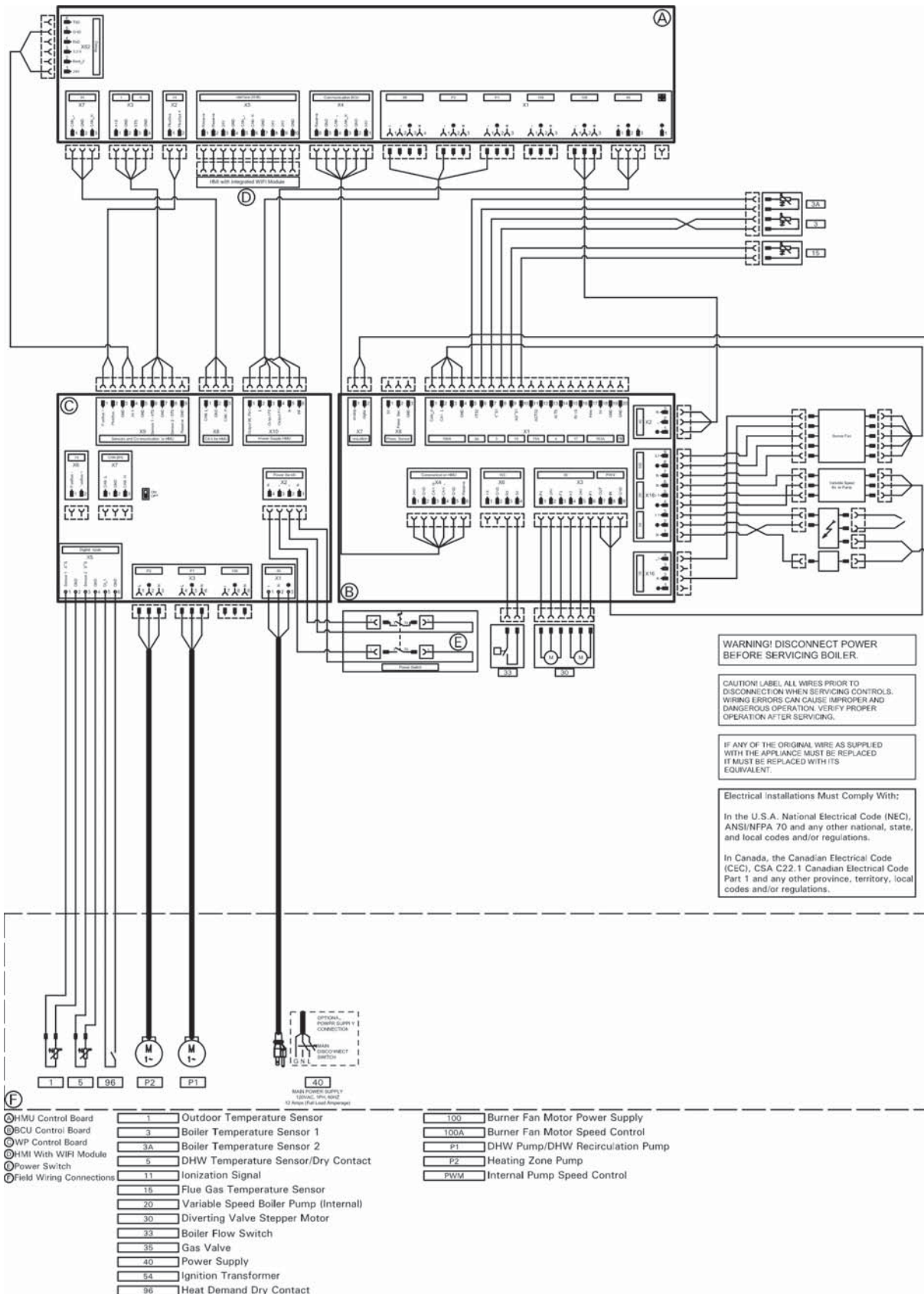
**Wiring Panel**



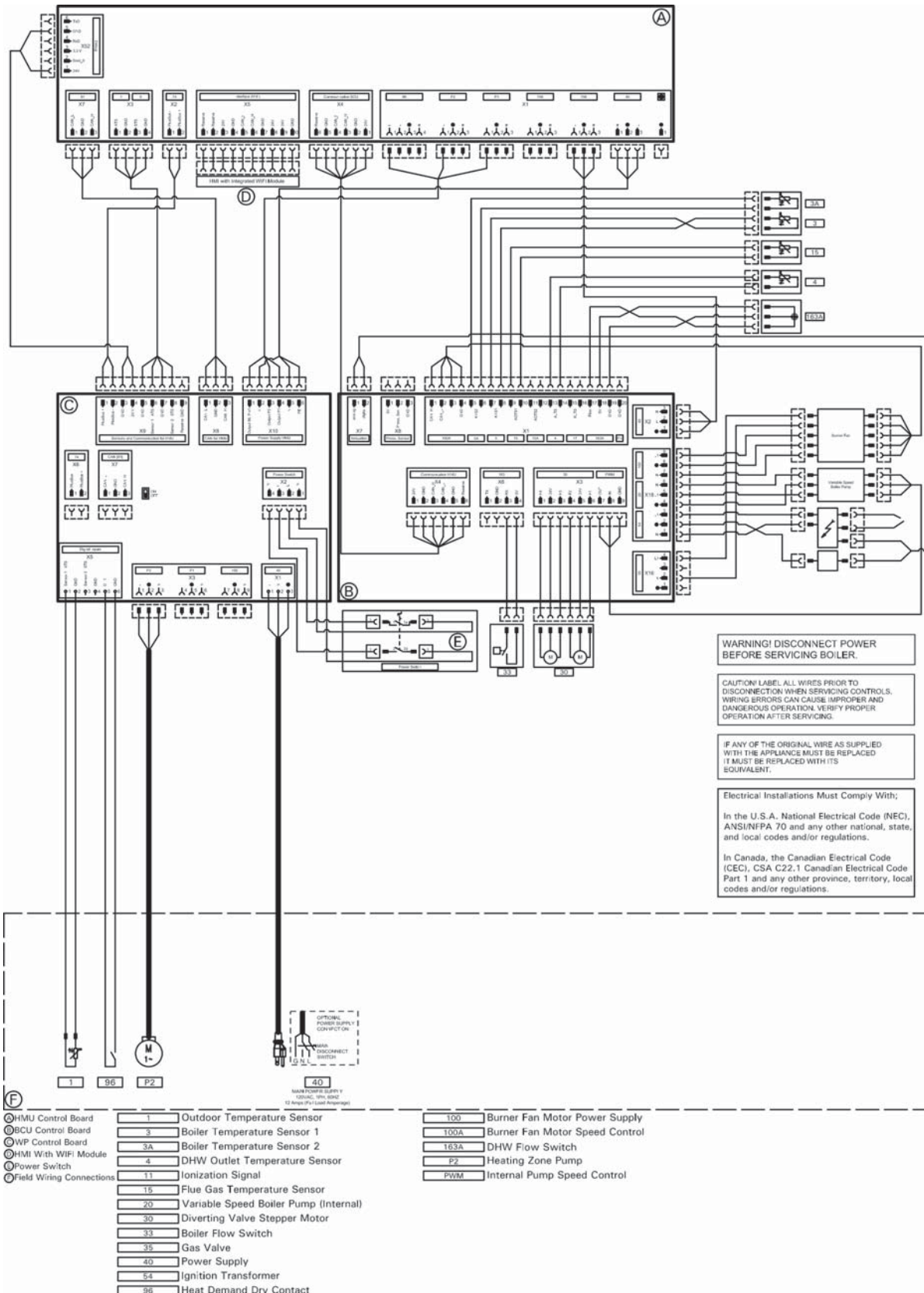
**Legend**

- A2 Wiring panel
- A6 ON/OFF switch
- 40 ON/OFF switch
- 156 Switched mains output 120VAC, 60 Hz (max. 36 Watts)
- P1 Optional DHW pump
- P2 Circulation pump, zone 1
- 96 Connecting the temperature controller (function of plug 96)
- 5 Tank temperature sensor or temperature switch (Aquamant) B1HE only
- 1 Outside temperature sensor
- 91 No function
- 74 No function
- F1 Fuse, 6.3A (slow), 120V
- (A) HMU heat management unit connection, 120VAC
- (B) CAN plug 91, HMU heat management unit
- (C) HMU heat management unit extra low voltage connection

**B1HE Models 85 / 120 / 150 / 199**



**B1KE Models 120 / 199**



# Service Reports

Measurements		Service date: by:	Service date: by:	Service date: by:	Service date: by:	Service date: by:	Service date: by:	Setpoint value
<b>Static pressure</b>	"w.c.							max. 14 "w.c.
<b>Running pressure (supply pressure)</b>								
<input type="checkbox"/> Natural gas	"w.c.							4-14 "w.c.
<input type="checkbox"/> LPG	"w.c.							10-14 "w.c.
<i>Check gas type</i>								
<b>Carbon dioxide content CO<sub>2</sub></b>								
<input checked="" type="checkbox"/> at lower end of rated input range	vol.-%							
<input checked="" type="checkbox"/> at upper end of rated input range	vol.-%							
<b>Oxygen content O<sub>2</sub></b>								
<input checked="" type="checkbox"/> at lower end of rated input range	vol.-%							
<input checked="" type="checkbox"/> at upper end of rated input range	vol.-%							
<b>Carbon monoxide content CO</b>								
<input checked="" type="checkbox"/> at lower end of rated input range	ppm							50 ppm air-free*
<input checked="" type="checkbox"/> at upper end of rated input range	ppm							
<b>Ionization current</b>	µA							
*Fuel type, altitude, venting and other site parameters may change								



**Technical Data**

**Gas condensing system boiler**

	<b>Boiler Model No.</b>	<b>B1HE-85</b>	<b>B1HE-120</b>	<b>B1HE-150</b>	<b>B1HE-199</b>	<b>B1KE-120</b>	<b>B1KE-199</b>
<b>CSA input Natural gas (NG)</b>	MBH	8.5-85	12-120	15.5-150	19.9-199	12-120	19.9-199
	kW	2.5-24.9	3.5-35.2	4.5-44.0	5.8-58.3	3.5-35.2	5.8-58.3
<b>CSA input Liquid propane Gas (LPG)</b>	MBH	14-85	14-120	22.7-150	22.7-199	14-120	22.7-199
	kW	4.1-24.9	4.1-35.2	6.7-44.0	6.7-58.3	4.1-35.2	6.7-58.3
<b>CSA output/DOE *1</b>	MBH	8-80	11-113	14-141	18.5-187	11-113	18.5-187
<b>heating capacity NG</b>	kW	2.3-23.4	3.2-33.1	4.1-41.3	5.4-54.8	3.2-33.1	5.4-54.8
<b>CSA output/DOE *1</b>	MBH	13-80	13-113	21-141	21-187	13-113	21-187
<b>heating capacity LPG</b>	kW	3.8-23.4	3.8-33.1	6.1-41.3	6.1-54.8	3.8-33.1	6.1-54.8
<b>Net AHRI rating *2</b>	MBH	70	98	123	163	98	163
<b>Heat exchanger surface area</b>	ft.2 m2	12.96 1.20	12.96 1.20	27.44 2.55	27.44 2.55	12.96 1.20	27.44 2.55
<b>Min. gas supply pressure</b>							
Natural gas	"w.c.	4	4	4	4	4	4
LPG	"w.c.	10	10	10	10	10	10
<b>Max. gas supply pressure *3</b>							
Natural gas and LPG	"w.c.	14	14	14	14	14	14
<b>A.F.U.E.</b>	%	95	95	95	95	95	95
<b>Weight</b>	lbs kg	108 49	108 49	179 81	179 81	110 50	190 86
<b>Shipping weight</b>	lbs kg	143 65	143 65	218 99	218 99	146 66	229 104
<b>Boiler water content</b>	USG L	1.02 3.88	1.02 3.88	2.5 9.50	2.5 9.50	1.02 3.88	2.5 9.50
<b>Boiler max. flow rate *4</b>	GPM L/h	4.8 1090	6.2 1408	8.8 1999	10.6 2408	6.2 1408	10.6 2408
<b>Max. operating pressure</b> (max. allowable working pressure) at 210°F (99°C)	psig bar	45 3	45 3	60 4	60 4	45 3	60 4
<b>Boiler water temperature</b>							
- Adjustable high limit (AHL) range							
- space heating (steady state)	°F (°C)				68-180 (20-82)		
- DHW tank heating	°F (°C)				194 (90)		
- DHW heating	°F (°C)				194 (90)		
- Fixed high limit (FHL)	°F (°C)				210 (99)		
<b>Boiler connections</b>							
Boiler heating supply and return	NPTM (male)	¾ in	¾ in	1 in	1 in	¾ in	1 in
Pressure relief valve	NPTF	¾ in	¾ in	¾ in	¾ in	¾ in	¾ in
DHW tank heating supply/return	(female)	¾ in	¾ in	1 in	1 in	-	-
DHW heating	NPTM (male)	-	-	-	-	¾ in	1 in
Drain valve	NPTM (male) (male thread)	¾ in	¾ in	¾ in	¾ in	¾ in	¾ in
<b>Dimensions</b>							
Overall depth	inches (mm)	19 ¾ (500)	19 ¾ (500)	21 ¾ (550)	21 ¾ (550)	19 ¾ (500)	21 ¾ (550)
Overall width	inches (mm)	17 ¾ (450)	17 ¾ (450)	17 ¾ (450)	17 ¾ (450)	17 ¾ (450)	17 ¾ (450)
Overall height	inches (mm)	33 ¾ (859)	33 ¾ (859)	39 (989)	39 (989)	33 ¾ (859)	39 (989)

\*1 Output based on 140°F (60°C), 120°F (49°C) system supply / return temperature.

\*2 Net AHRI rating based on piping and pick-up allowance of 1.15.

\*3 If the gas supply pressure exceeds the maximum gas supply pressure value, a separate gas pressure regulator must be installed upstream of the heating system.

\*4 See "System Flow Rates" on page 32 in this manual.

**Technical Data** *(continued)*

	<b>Boiler Model No.</b>	<b>B1HE-85</b>	<b>B1HE-120</b>	<b>B1HE-150</b>	<b>B1HE-199</b>	<b>B1KE-120</b>	<b>B1KE-199</b>
<b>Gas supply connection</b>	NPTM (male)	¾ in	¾ in	¾ in	¾ in	¾ in	¾ in
<b>Flue gas</b> *5							
Temperature at boiler return temperature of 86°F (30°C)							
- at rated full load	°F (°C)	99 (37)	102 (39)	106 (41)	104 (40)	102 (39)	104 (40)
- at rated partial load	°F (°C)	95 (35)	95 (35)	111 (44)	113 (45)	95 (35)	113 (45)
Temperature at boiler return temperature of 140°F (60°C)	°F (°C)	144 (62)	145 (63)	151 (66)	149 (65)	145 (63)	149 (65)
<b>Flue gas value</b>							
Mass flow rate (of flue gas)							
- at rated full load	lbs/h	86.9	126.0	155.9	207.0	147.0	207.0
	kg/h	39.4	57.1	70.7	93.9	66.7	93.9
- at rated partial load	lbs/h	8.9	13.0	16.1	20.8	13.0	20.8
	kg/h	4.0	5.9	7.3	9.4	5.9	9.4
Available draught	Pa	250	250	250	250	114	250
	mbar	2.5	2.5	2.5	2.5	1.14	2.5
<b>Flue gas temperature sensor limit</b>	°F	230	230	230	230	230	230
	°C	(110)	(110)	(110)	(110)	(110)	(110)
<b>Average condensate flow rate</b> *6							
with natural gas							
- Ts/TR = 122 / 86°F (50 / 30°C)	USG/day	20.3	27.9	34.9	46.9	27.9	46.9
	L/day	76.8	105.6	132.0	177.6	124.8	196.8
<b>Condensate connection</b> *7	hose nozzle Ø in	¾ in	¾ in	¾ in	¾ in	¾ in	¾ in
<b>Boiler flue gas connection</b> *8	Ø in (mm)	3 (80)	3 (80)	3 (80)	3 (80)	3 (80)	3 (80)
<b>Combustion air supply connection</b> *8	coaxial outer Ø in (mm)	5 (125)	5 (125)	5 (125)	5 (125)	5 (125)	5 (125)
	single	3 (80)	3 (80)	3 (80)	3 (80)	3 (80)	3 (80)
<b>Noise level (at 1 meter)</b>							
- at full load	(dB)	52	59	51	55	59	55
- at partial load	(dB)	34	34	31	31	34	31
<b>NOx @ 3% O<sub>2</sub></b> *9		< 20 ppm					

\*5 Measured flue gas temperature with a combustion air temperature of 68°F (20°C).

\*6 Based on typical boiler cycles, including partial load conditions.

\*7 Requires ¾ in. (19 mm) tubing. See Vitodens 100-W Installation Instructions for details.

\*8 For detailed information refer to the Vitodens Venting System Installation Instructions.

\*9 The Vitodens 100 B1HE/B1KE boilers are certified to the requirements of South Coast Air Quality Management District (SCAQMD) Rule 1146.2, Bay Area Air Quality Management District (BAAQMD) Regulation 9 Rule 6, and San Juaquin Valley Air Pollution Control District (SJVAPCD) Rule 4308.

**Technical Data** *(continued)***B1KE on demand hot water operation**

	<b>Boiler Model No.</b>	<b>B1KE-120</b>	<b>B1KE-199</b>
<b>Max. Input NG and LPG</b> (DHW production only)	MBH	140	199
	kW	41.0	58.3
<b>Max. boiler temperature</b> (during DHW production)	°F (°C)	194 (90)	194 (90)
<b>DHW supply temperature</b>	°F (°C)	140 (60)	140 (60)
<b>Continuous draw rate *1</b> at $\Delta t = 77^{\circ}\text{F}$ (43K)	USG/min.	3.3	4.7
	(L/h)	757	1070
<b>Max. flow through heat exchanger</b>	USG/min. (L/h)	3.7 (840)	5.3 (1200)
<b>Maximum allowable working pressure</b> (potable water)	psi	150	150
<b>Test pressure</b>	psi	300	300

\*1 DCW and DHW temperature rise would be proportional. Maximum DHW supply temperature is 140°F (60°C).

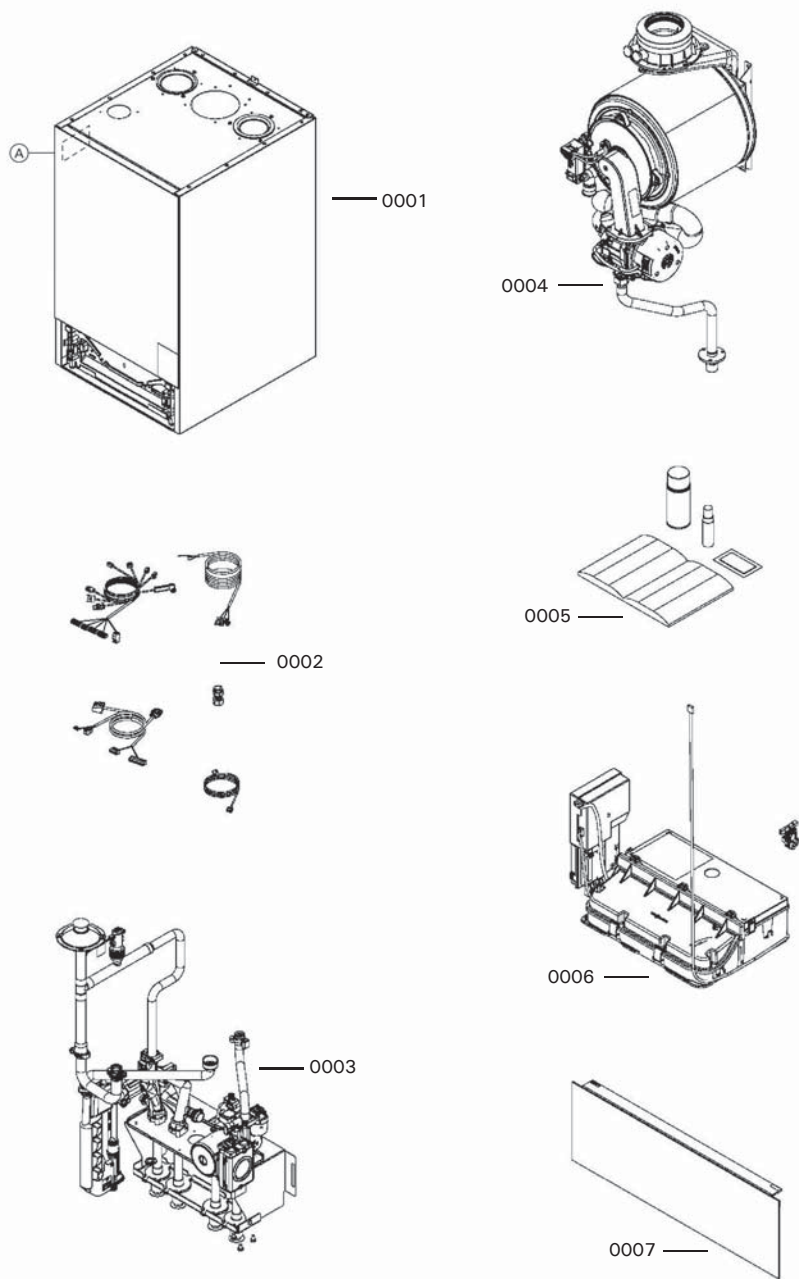
# Parts List

Boiler Model No.	Serial No.
B1HE-85	7722772□□□□□□□□
B1HE-120	7722773□□□□□□□□

**Ordering Parts:**  
 Please provide Serial Number ordering replacement parts. O components from your Viessn

- 0001 Casing
- 0002 Cable Set
- 0003 Hydraulic System
- 0004 Heat Cell
- 0005 Other
- 0006 Electronic Equipment
- 0007 Programming Unit

Ⓐ Rating plate with serial nu



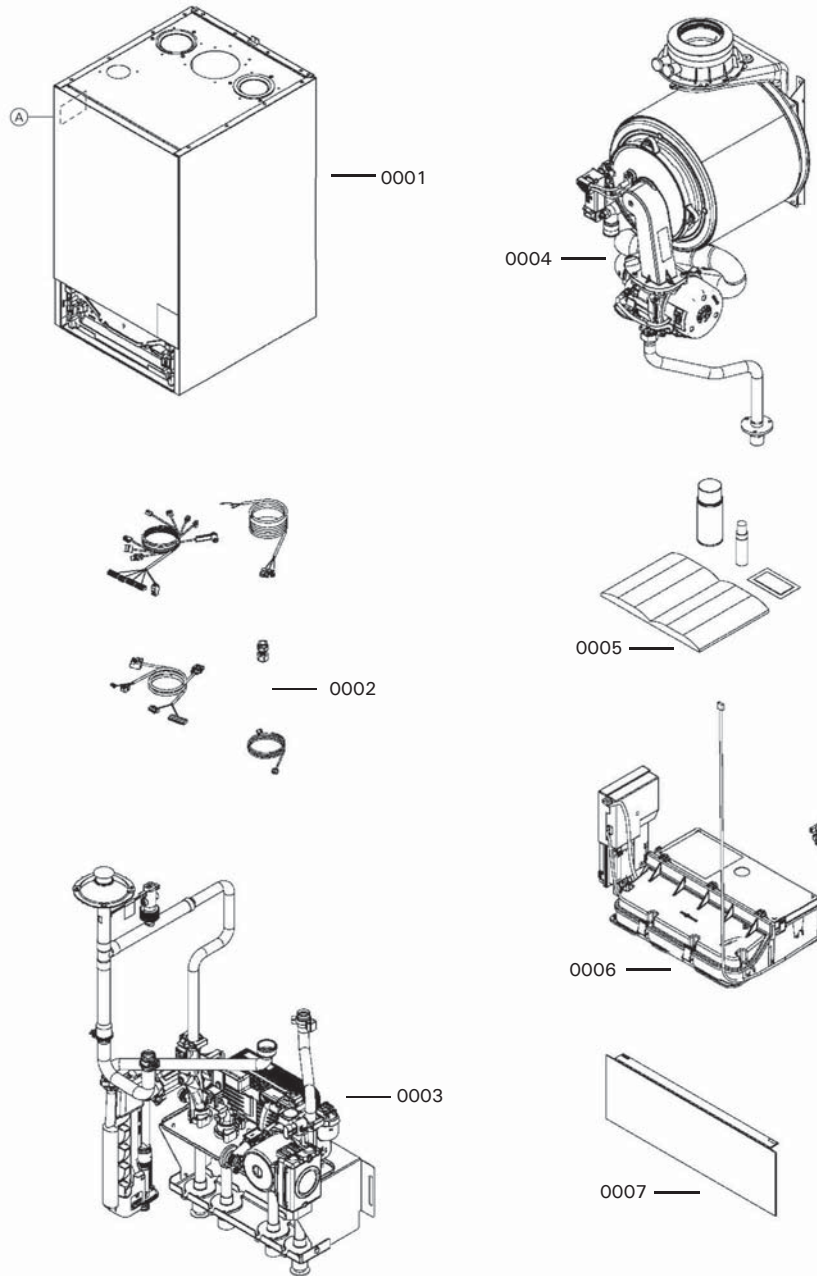
**Parts List** *(continued)*

**Boiler Model No.**      **Serial No.**  
 B1KE-120                  7722776□□□□□□□□

**Ordering Parts:**  
 Please provide Serial Number (A) when ordering replacement parts. Order replacement components from your Viessmann distributor.

- 0001 Casing
- 0002 Cable Set
- 0003 Hydraulic System
- 0004 Heat Cell
- 0005 Other
- 0006 Electronic Equipment
- 0007 Programming Unit

(A) Rating plate with serial number



**Parts List** *(continued)*

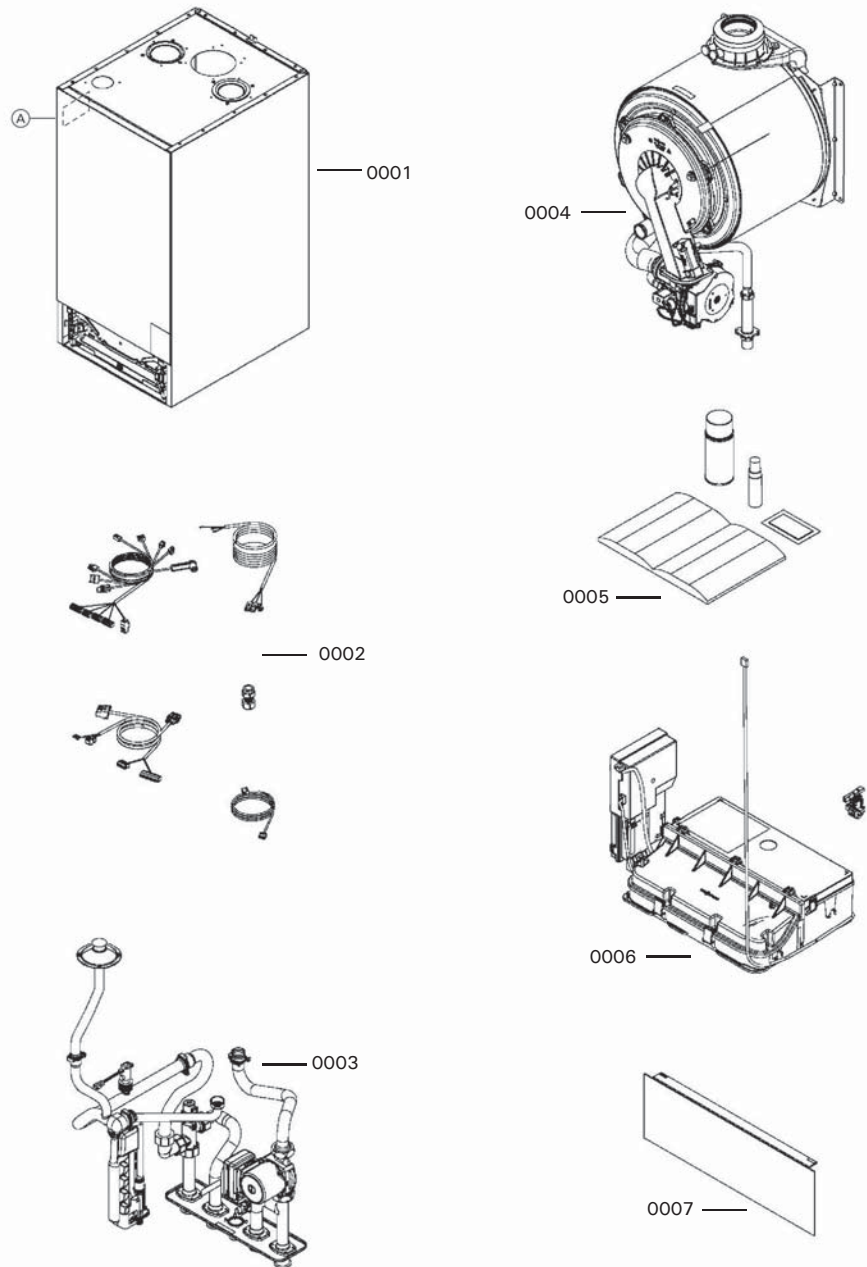
Boiler Model No.	Serial No.
B1HE-150	7722774□□□□□□□□
B1HE-199	7722775□□□□□□□□

**Ordering Parts:**

Please provide Serial Number (A) when ordering replacement parts. Order replacement components from your Viessmann distributor.

- 0001 Casing
- 0002 Cable Set
- 0003 Hydraulic System
- 0004 Heat Cell
- 0005 Other
- 0006 Electronic Equipment
- 0007 Programming Unit

(A) Rating plate with serial number



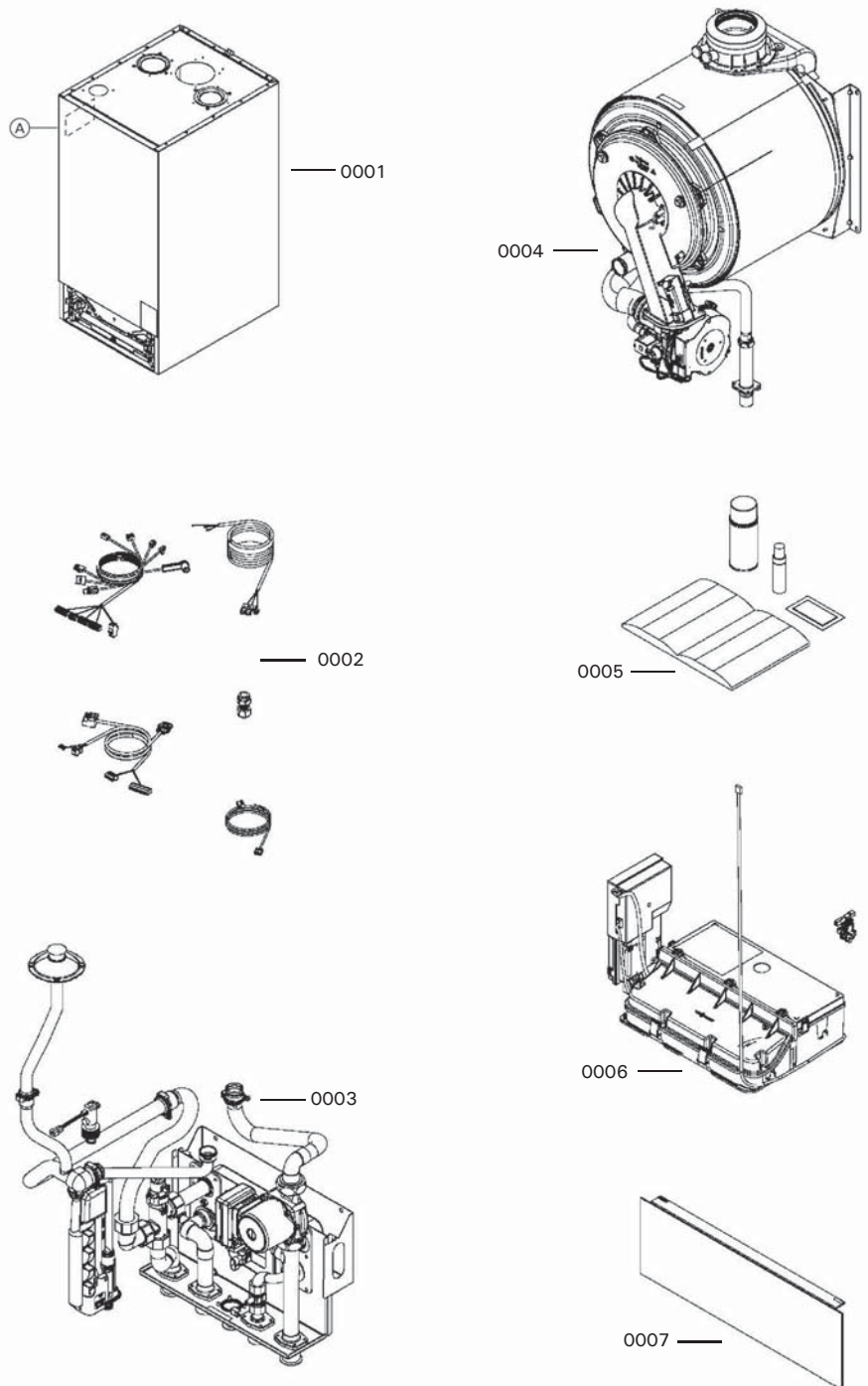
**Parts List** *(continued)*

**Boiler Model No.**      **Serial No.**  
 B1KE-199                  7722777□□□□□□□□

**Ordering Parts:**  
 Please provide Serial Number (A) when ordering replacement parts. Order replacement components from your Viessmann distributor.

- 0001 Casing
- 0002 Cable Set
- 0003 Hydraulic System
- 0004 Heat Cell
- 0005 Other
- 0006 Electronic Equipment
- 0007 Programming Unit

(A) Rating plate with serial number





**Parts List** *(continued)*

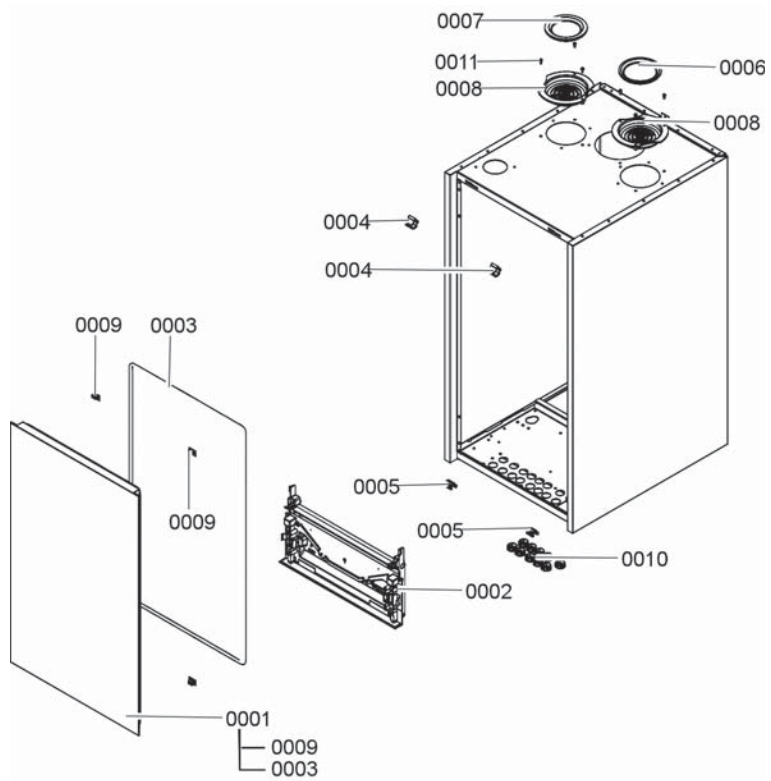
Boiler Model No.	Serial No.
B1HE-85	7722772□□□□□□□□
B1HE-120	7722773□□□□□□□□
B1HE-150	7722774□□□□□□□□
B1HE-199	7722775□□□□□□□□
B1KE-120	7722776□□□□□□□□
B1KE-199	7722777□□□□□□□□

**Ordering Parts:**

Please provide Serial Number when ordering replacement parts. Order replacement components from your Viessmann distributor.

**Casing**

- 0001 Front cover
- 0002 Seal cover
- 0003 Seal profile
- 0004 Hinge
- 0005 Hinge bottom (2 pcs)
- 0006 Diaphragm grommet 88.9 mm
- 0007 Diaphragm grommet 80 mm
- 0008 Ventilation cover
- 0009 Center clip (2 pcs)
- 0010 Cable inlet grommets (2 pcs)
- 0011 Screw EJOT (6 pcs)



**Parts List** *(continued)*

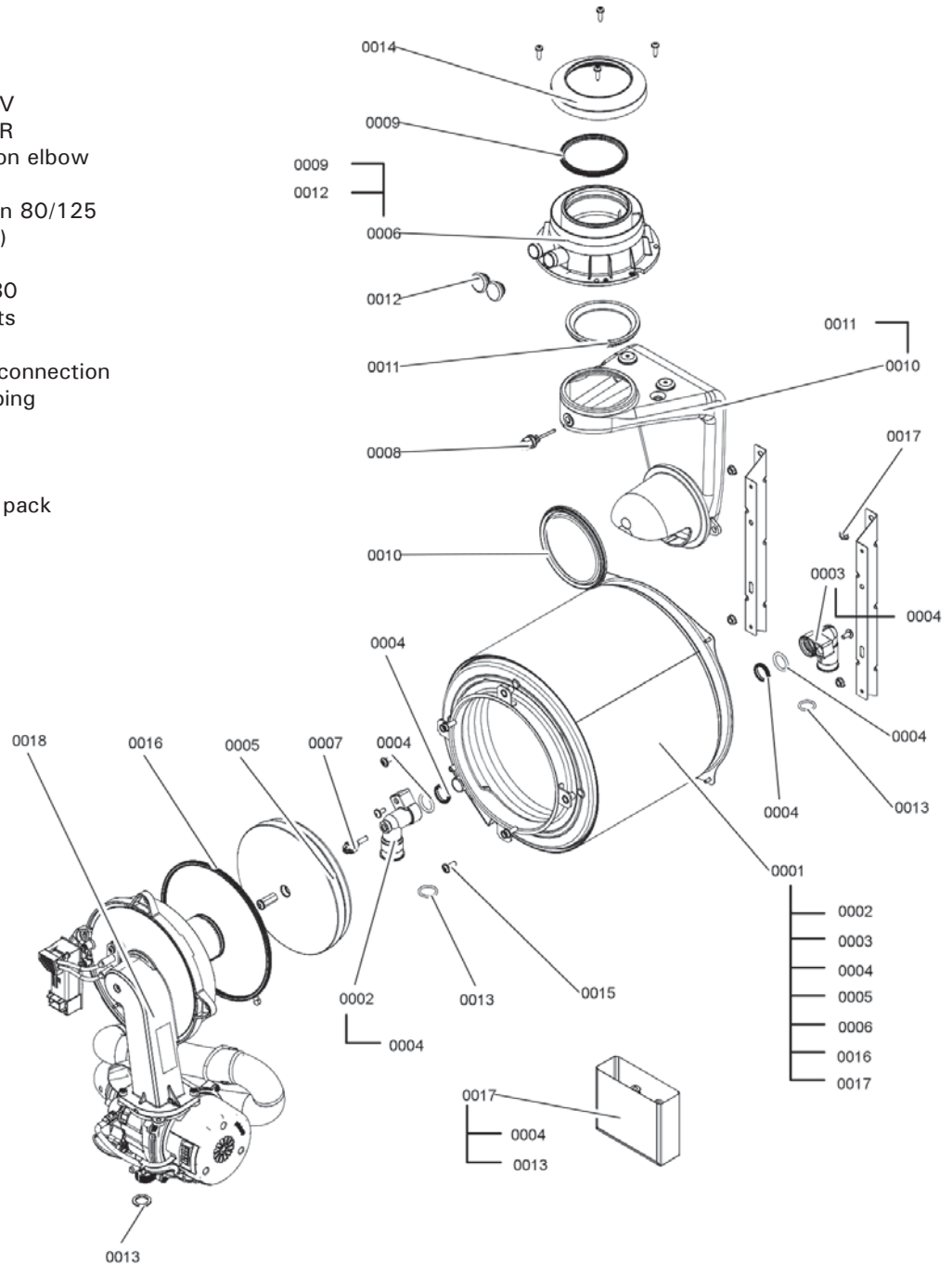
Boiler Model No.	Serial No.
B1HE-85	7722772□□□□□□□□
B1HE-120	7722773□□□□□□□□
B1KE-120	7722776□□□□□□□□

**Ordering Parts:**

Please provide Serial Number when ordering replacement parts. Order replacement components from your Viessmann distributor.

**Heat Cell**

- 0001 Heat exchanger
- 0002 Connection elbow HV
- 0003 Connection elbow HR
- 0004 Gasket set connection elbow
- 0005 Insulation block
- 0006 Boiler flue connection 80/125
- 0007 Flow sensor (Duplex)
- 0008 Flue gas sensor
- 0009 Flue gas gasket DN80
- 0010 Flue duct and gaskets
- 0011 Grommet DN80
- 0012 Cap plug boiler flue connection
- 0013 O-ring connected piping
- 0014 Ventilation cover
- 0015 Burner door screws
- 0016 Burner door gaskets
- 0017 ETT heat exchanger pack
- 0018 Burner



**Parts List** *(continued)*

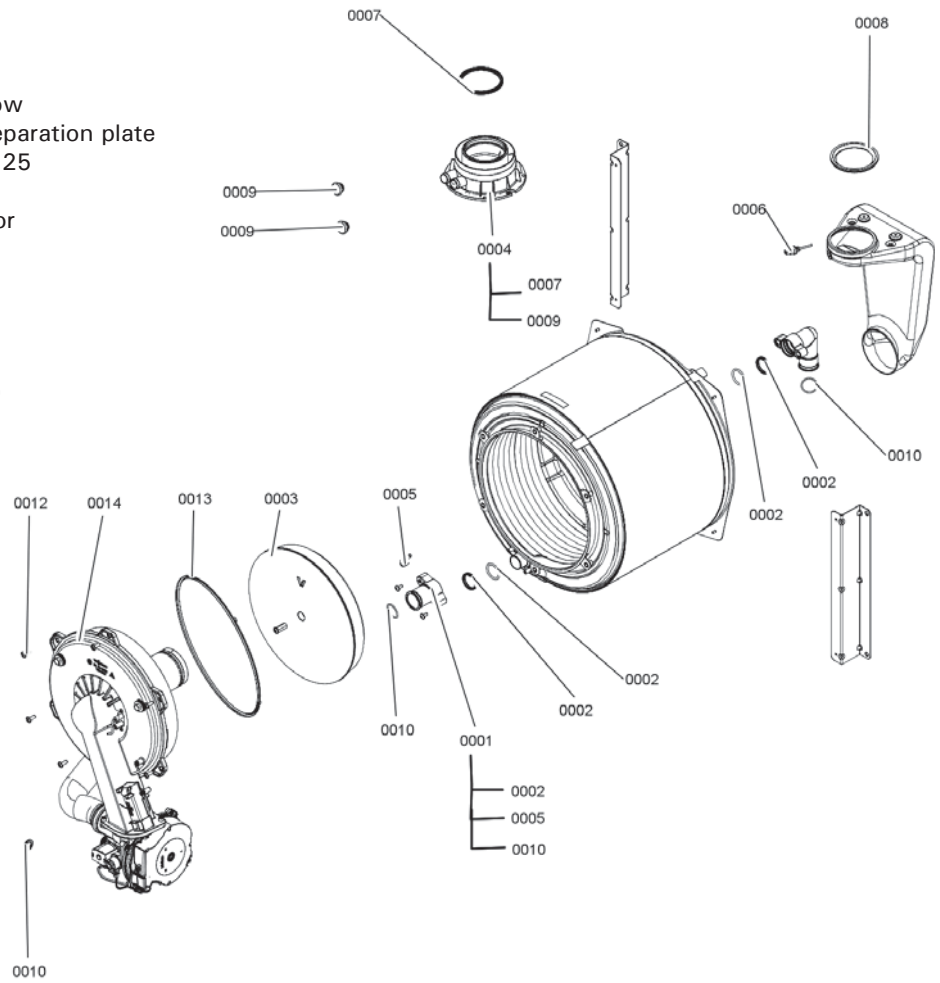
Boiler Model No.	Serial No.
B1HE-150	7722774□□□□□□□□
B1HE-199	7722775□□□□□□□□
B1KE-199	7722777□□□□□□□□

**Ordering Parts:**

Please provide Serial Number when ordering replacement parts. Order replacement components from your Viessmann distributor.

**Heat Cell**

- 0001 Connection elbow
- 0002 Gasket set connection elbow
- 0003 Thermal insulation block separation plate
- 0004 Boiler flue connection 80/125
- 0005 Temperature sensor
- 0006 Flue gas temperature sensor
- 0007 Flue gas gasket DN80
- 0008 Grommet DN80
- 0009 Cap plug boiler connection
- 0010 Gasket set pipework
- 0011 Ventilation cover
- 0012 Burner door screws (6 pcs)
- 0013 Burner door seal
- 0014 Burner



**Parts List** *(continued)*

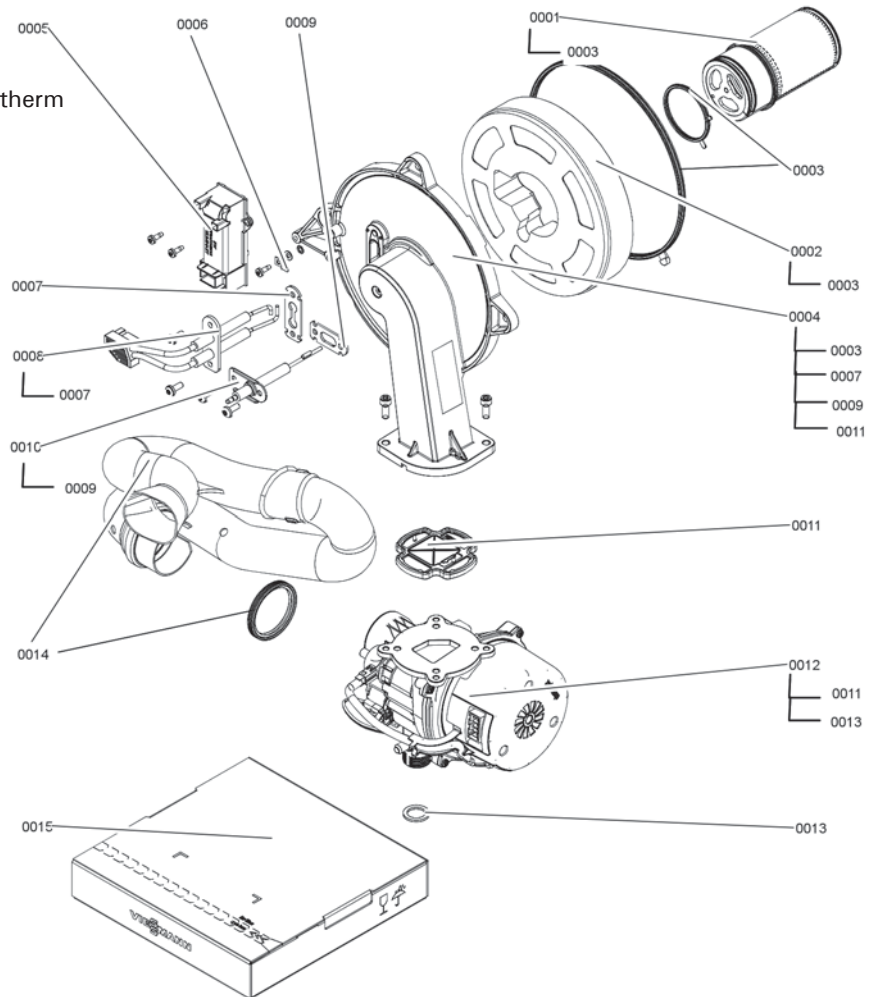
Boiler Model No.	Serial No.
B1HE-85	7722772□□□□□□□□
B1HE-120	7722773□□□□□□□□
B1KE-120	7722776□□□□□□□□

**Ordering Parts:**

Please provide Serial Number when ordering replacement parts. Order replacement components from your Viessmann distributor.

**Burner**

- 0001 Cylinder flame body Matrix Plus
- 0002 Thermal insulation ring with Mutlitherm
- 0003 Gasket set incl. screws
- 0004 Burner door
- 0005 Ignition transformer
- 0006 Blade terminal (5 pcs)
- 0007 Ignition electrode gasket
- 0008 Ignition electrode
- 0009 IO electrode gasket
- 0010 IO electrode
- 0011 Diaphragm backflow protection
- 0012 Radial fan 120V
- 0013 Gasket A 17 x 24 (5 pcs)
- 0014 Venturi extension
- 0015 Maintenance kit



**Parts List** *(continued)*

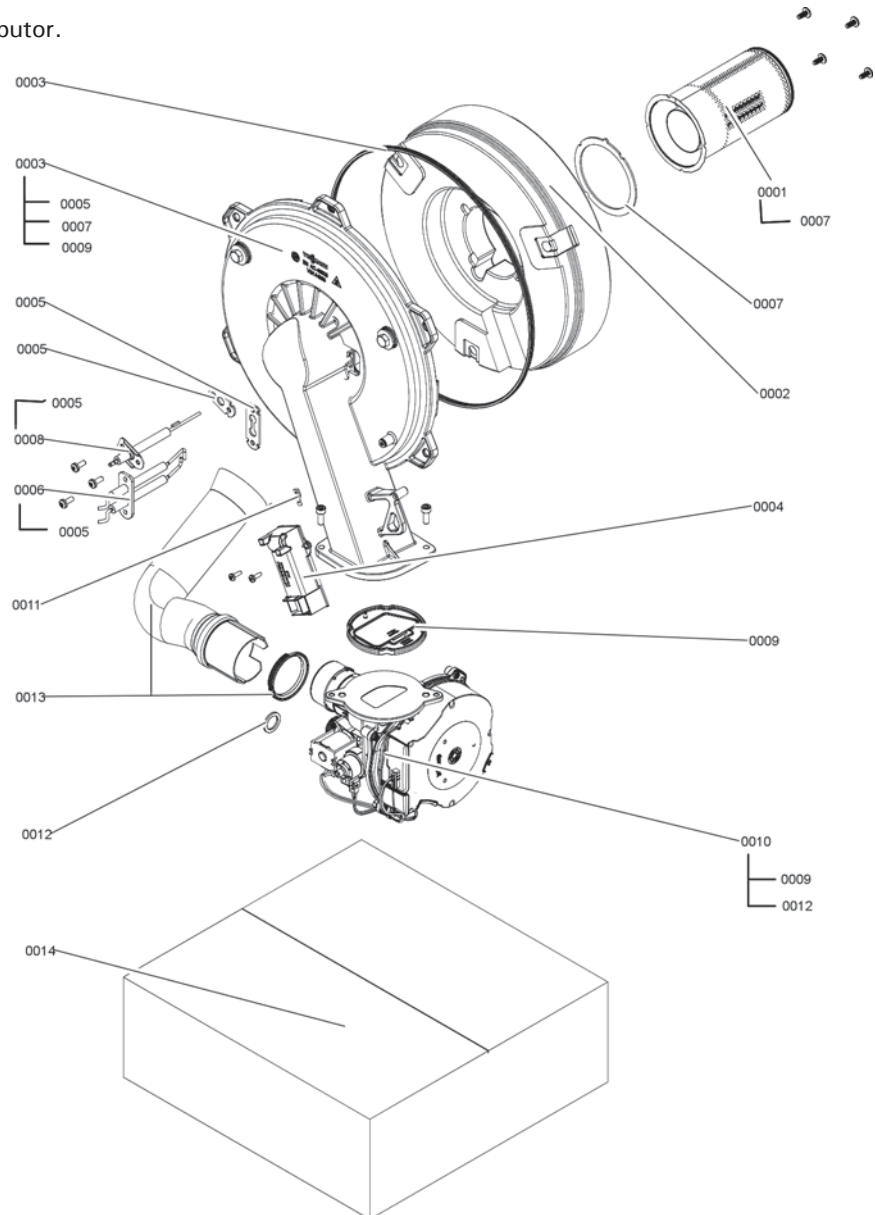
Boiler Model No.	Serial No.
B1HE-150	7722774□□□□□□□□
B1HE-199	7722775□□□□□□□□
B1KE-199	7722777□□□□□□□□

**Ordering Parts:**

Please provide Serial Number when ordering replacement parts. Order replacement components from your Viessmann distributor.

**Burner**

- 0001 Flame body assembly
- 0002 Thermal insulation ring
- 0003 Burner door
- 0004 Ignition transformer
- 0005 Ignition + IO electrode gasket (3 pcs)
- 0006 Ignition electrode block
- 0007 FK gasket
- 0008 Ionization electrode
- 0009 Membrane non-return device
- 0010 Radial Fan 120V
- 0011 Blade terminal (5 pcs)
- 0012 Seal rings pack (9 pcs)
- 0013 Venturi extension
- 0014 Maintenance kit



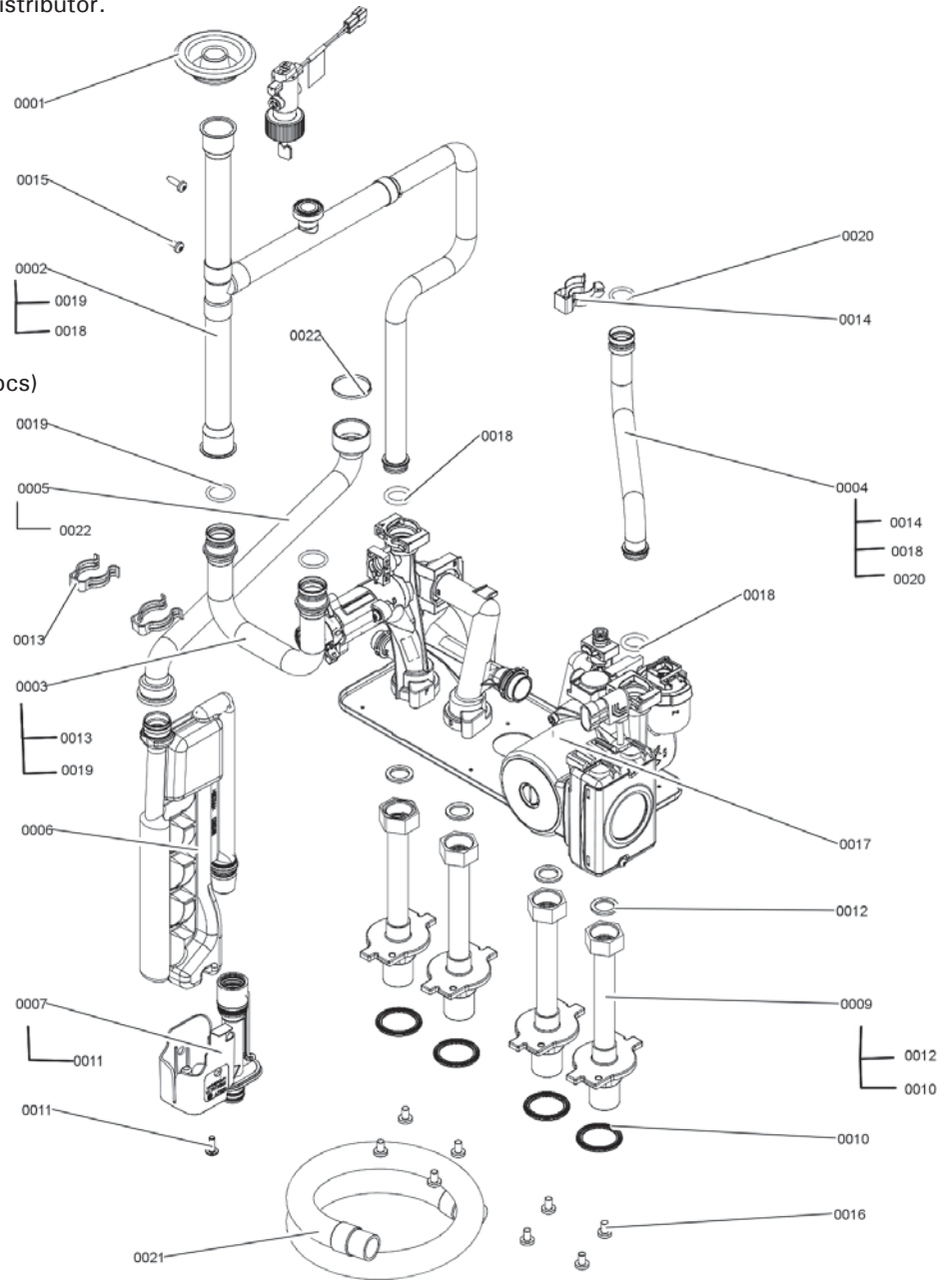
**Parts List** *(continued)*

<b>Boiler Model No.</b>	<b>Serial No.</b>
B1HE-85	7722772□□□□□□□□
B1HE-120	7722773□□□□□□□□

**Ordering Parts:**  
 Please provide Serial Number when ordering replacement parts. Order replacement components from your Viessmann distributor.

**Hydraulic System**

- 0001 Diaphragm grommet
- 0002 Hydraulics flow pipe
- 0003 VT flow pipe with O-rings
- 0004 Connection pipe return CA
- 0005 Condensate hose
- 0006 Meander Siphon
- 0007 Siphon holder
- 0009 Hydraulics connection pipe
- 0010 Air box hydraulics gasket (4 pcs)
- 0011 Screw PT 50 x 14 (5 pcs)
- 0012 Gasket A 17 x 24 (5 pcs)
- 0013 Spring clip d = 25
- 0014 Connector fittings (2 pcs)
- 0015 Self-tapping screw (5 pcs)
- 0016 Round head screw (5 pcs)
- 0017 Pump Module
- 0018 O-Ring (5pcs)
- 0019 Seal set O-Ring (5 pcs)
- 0020 O-Ring (5pcs)
- 0021 Condensate hose
- 0022 Cable tie (5 pcs)



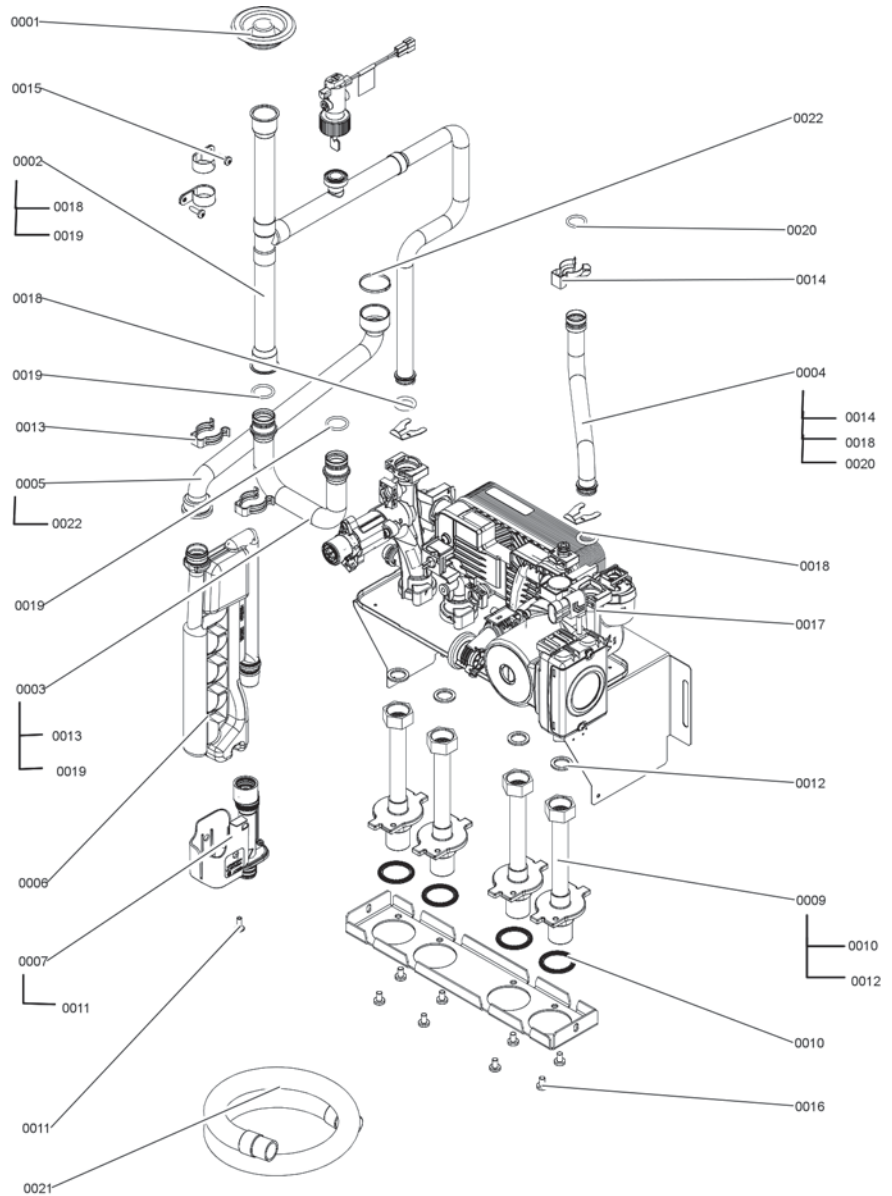
**Parts List** *(continued)*

**Boiler Model No.**      **Serial No.**  
 B1KE-120                  7722776□□□□□□□□

**Ordering Parts:**  
 Please provide Serial Number when ordering replacement parts. Order replacement components from your Viessmann distributor.

**Hydraulic System**

- 0001 Diaphragm grommet
- 0002 Hydraulics flow pipe
- 0003 VT flow pipe with O-rings
- 0004 Connection pipe return
- 0005 Condensate hose WT
- 0006 Meander Siphon
- 0007 Siphon holder
- 0009 Hydraulics connection pipe
- 0010 Air box hydraulics gasket (4 pcs)
- 0011 Screw (5 pcs)
- 0012 Gasket (5 pcs)
- 0013 Spring clip d = 25
- 0014 Connector fittings (2 pcs)
- 0015 Self-tapping screw (5 pcs)
- 0016 Round head screw (5 pcs)
- 0017 Pump Module
- 0018 O-Ring (5pcs)
- 0019 Seal set O-Ring (5 pcs)
- 0020 O-Ring (5 pcs)
- 0021 Condensate hose
- 0022 Cable tie (5 pcs)





**Parts List** *(continued)*

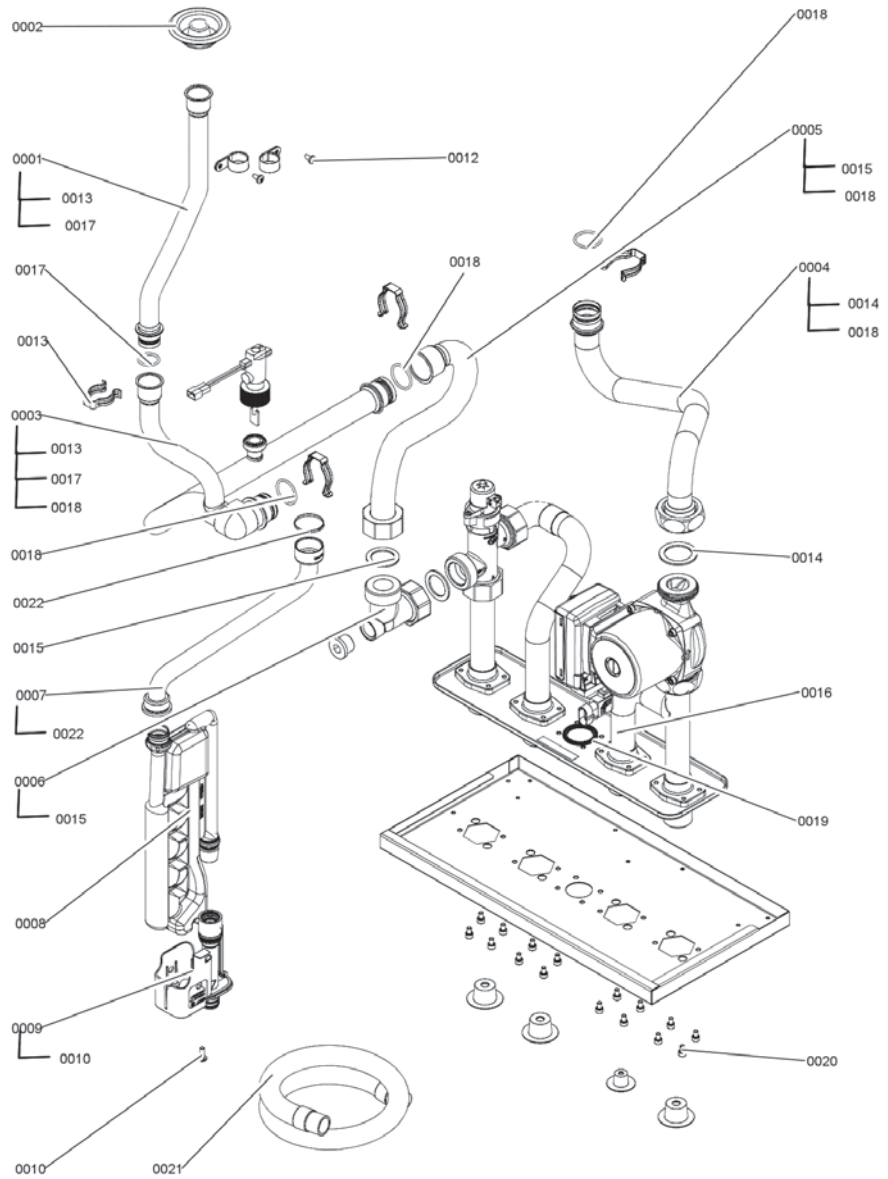
<b>Boiler Model No.</b>	<b>Serial No.</b>
B1HE-150	7722774□□□□□□□□
B1HE-199	7722775□□□□□□□□

**Ordering Parts:**

Please provide Serial Number when ordering replacement parts. Order replacement components from your Viessmann distributor.

**Hydraulic System**

- 0001 Connection pipe
- 0002 Diaphragm grommet
- 0003 Connection pipe
- 0004 Connection pipe HR circulation
- 0005 Connection pipe HV circulation bottom
- 0006 Angle piece G1 1/4 - G1 1/4
- 0007 Condensate hose
- 0008 Meander Siphon
- 0009 Siphon holder
- 0010 Screw (5 pcs)
- 0012 Self-tapping screw (5 pcs)
- 0013 Spring clip d = 25
- 0014 Gaskets and O-rings
- 0015 Gasket set 1 1/4" (5 pcs)
- 0016 Pump Module
- 0017 Seal set O-Ring (5 pcs)
- 0018 O-Ring
- 0019 Air box hydraulics gasket (4 pcs)
- 0020 Screw pack
- 0021 Condensate hose
- 0022 Cable tie (5 pcs)



**Parts List** *(continued)*

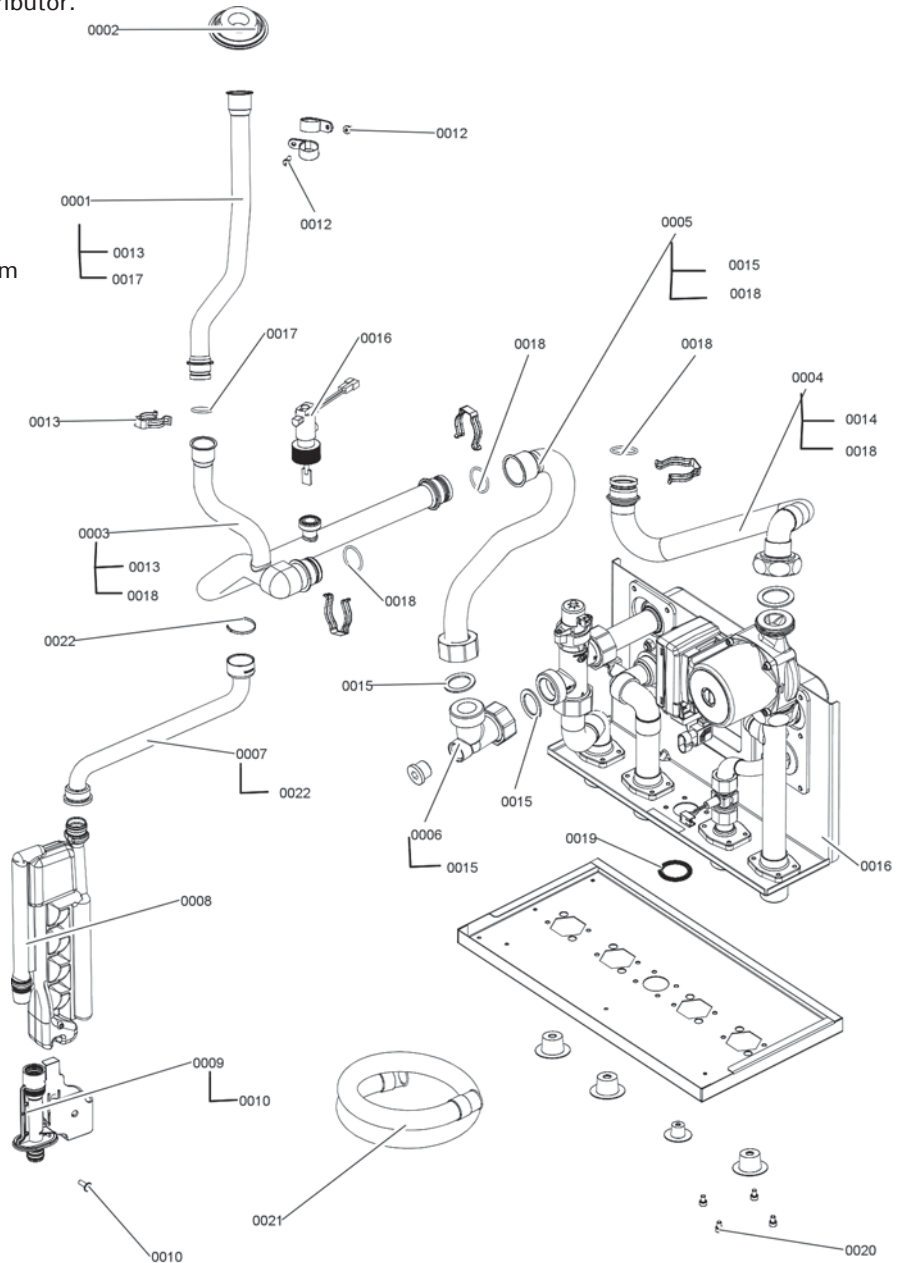
**Boiler Model No.**      **Serial No.**  
 B1KE-199                  7722777□□□□□□□□

**Ordering Parts:**

Please provide Serial Number when ordering replacement parts. Order replacement components from your Viessmann distributor.

**Hydraulic System**

- 0001 Connection pipe
- 0002 Diaphragm grommet
- 0003 Connection pipe
- 0004 Connection pipe HR combi
- 0005 Connection pipe HV combi bottom
- 0006 Angle piece G1 1/4 - G1 1/4
- 0007 Condensate hose
- 0008 Meander Siphon
- 0009 Siphon holder
- 0010 Screw (5 pcs)
- 0012 Self-tapping screw (5 pcs)
- 0013 Spring clip d = 25
- 0014 Gaskets and O-rings
- 0015 Gasket set 1 1/4" (5 pcs)
- 0016 Pump Module
- 0017 Seal set O-Ring (5 pcs)
- 0018 O-Ring
- 0019 Air box hydraulics gasket (4 pcs)
- 0020 Screw pack (TD)
- 0021 Condensate hose
- 0022 Cable tie (5 pcs)



**Parts List** *(continued)*

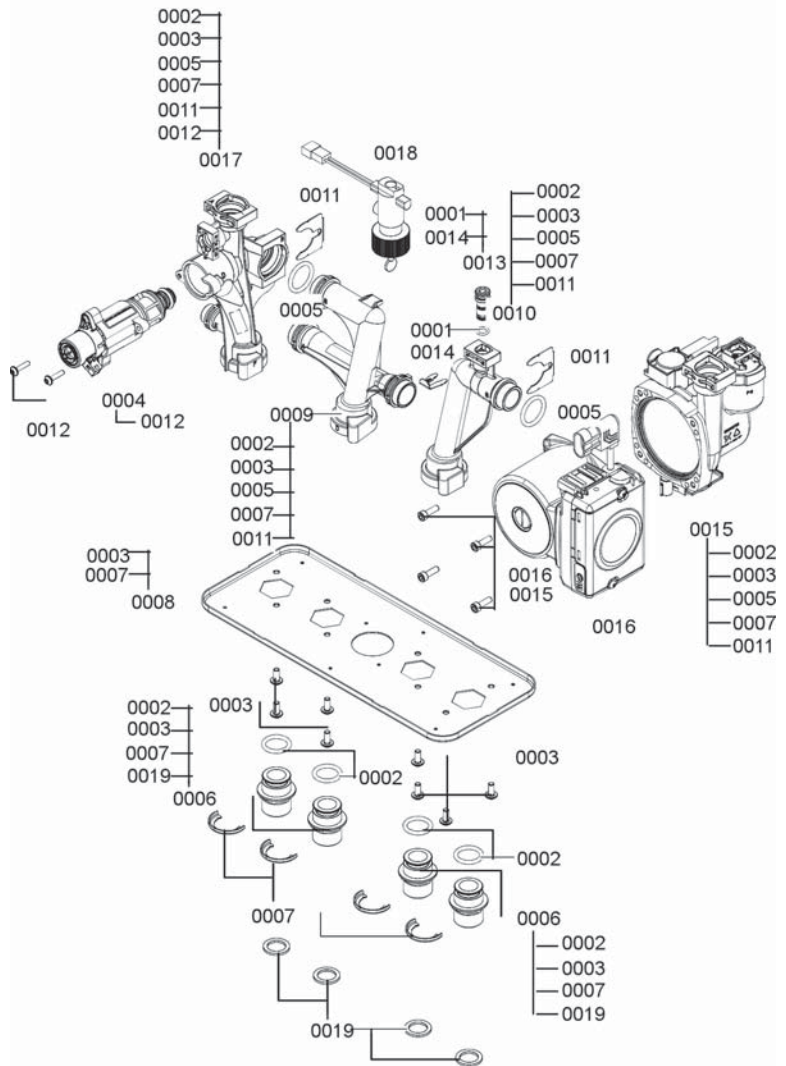
Boiler Model No.	Serial No.
B1HE-85	7722772□□□□□□□□
B1HE-120	7722773□□□□□□□□

**Ordering Parts:**

Please provide Serial Number when ordering replacement parts. Order replacement components from your Viessmann distributor.

**Pump Module**

- 0001 Round seal ring (5 pcs)
- 0002 O-Rings (5 pcs)
- 0003 Screw (5 pcs)
- 0004 Valve insert
- 0005 O-Ring (5 pcs)
- 0006 Connector G3/4
- 0007 Fuse clip nipple connection
- 0008 Compact carrier sheet hydraulics
- 0009 Circulation adapter
- 0010 Circulation adapter return flow side
- 0011 Clip D = 24 (5 pcs)
- 0012 Screw EJOT (5 pcs)
- 0013 Plug D = 8/D = 10
- 0014 Clip D = 8 small (5pcs)
- 0015 Return flow housing with cap and plug
- 0016 Circulation pump motor 115V
- 0017 Flow housing
- 0018 Flow switch
- 0019 Gasket set



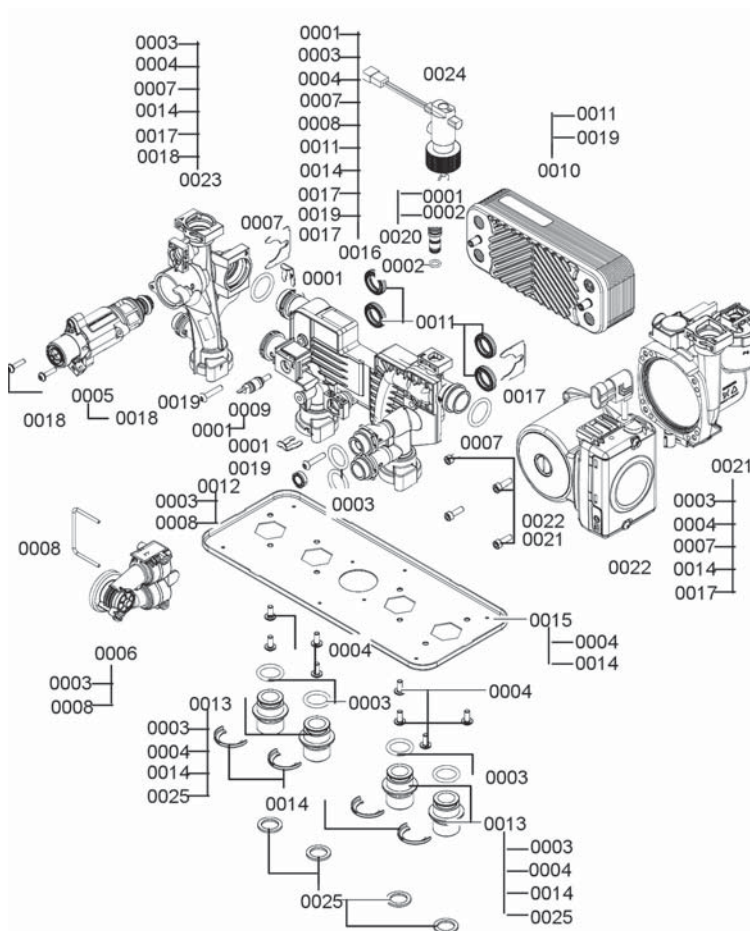
**Parts List** *(continued)*

**Boiler Model No.**      **Serial No.**  
 B1KE-120                  7722776□□□□□□□□

**Ordering Parts:**  
 Please provide Serial Number when ordering replacement parts. Order replacement components from your Viessmann distributor.

**Pump Module**

- 0001 Clip D = 8 small (5 pcs)
- 0002 Round seal ring (5 pcs)
- 0003 O-Rings (5 pcs)
- 0004 Screw (5 pcs)
- 0005 Valve insert
- 0006 Flow sensor
- 0007 O-Ring (5 pcs)
- 0008 Safety pin (2 pcs)
- 0009 NTC temperature sensor  
VA -30... + 125°C
- 0010 Plate heat exchanger
- 0011 Profile seal
- 0012 Flow regulator
- 0013 Connector G3/4
- 0014 Fuse clip nipple connection
- 0015 Compact carrier sheet hydraulics
- 0016 Adapter PWT compact
- 0017 Clip D = 24 (5 pcs)
- 0018 Screw EJOT (5 pcs)
- 0019 Round head screw (5 pcs)
- 0020 Plug D = 8/D = 10
- 0021 Return flow housing with cap and plug
- 0022 Circulation pump motor 115V
- 0023 Flow housing
- 0024 Flow switch
- 0025 Gasket set



**Parts List** *(continued)*

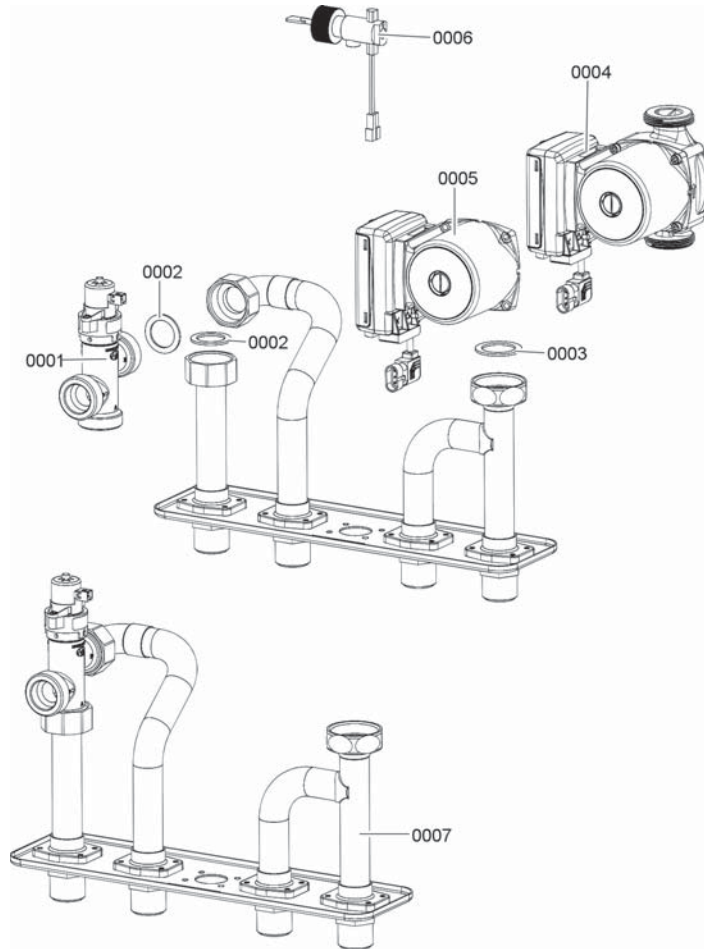
Boiler Model No.	Serial No.
B1HE-150	7722774□□□□□□□□
B1HE-199	7722775□□□□□□□□

**Ordering Parts:**

Please provide Serial Number when ordering replacement parts. Order replacement components from your Viessmann distributor.

**Pump Module**

- 0001 3-Way Diverter valve
- 0002 Gasket set (5 pcs)
- 0003 Gasket set (5 pcs)
- 0004 Pump 115V
- 0005 Circulation pump motor 115V
- 0006 Flow switch
- 0007 Hydraulic module



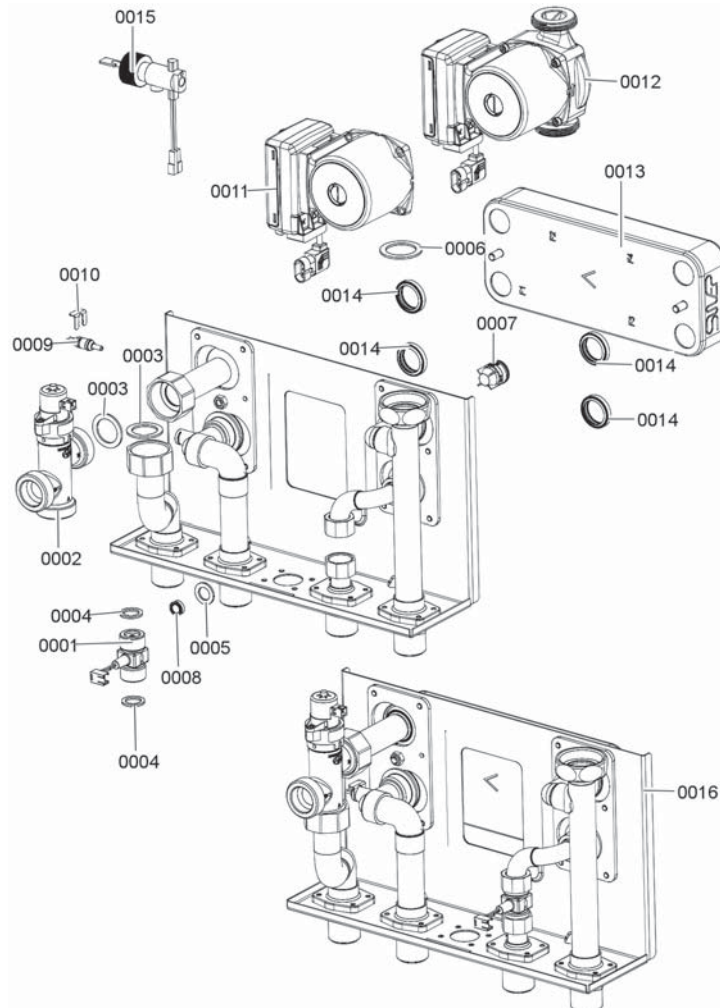
**Parts List** *(continued)*

**Boiler Model No.**      **Serial No.**  
 B1KE-199                  7722777□□□□□□□□

**Ordering Parts:**  
 Please provide Serial Number when ordering replacement parts. Order replacement components from your Viessmann distributor.

**Pump Module**

- 0001 Flow sensor DN15
- 0002 3-Way diverter valve
- 0003 Gasket set (5 pcs)
- 0004 Gasket (5 pcs)
- 0005 Gasket set (2 pcs)
- 0006 Gasket set (5 pcs)
- 0007 RV cartridge (non-return valve)
- 0008 Flow regulator
- 0009 Potable water sensor short (Clip D=8)
- 0010 Clip D=8 (5 pcs)
- 0011 Pump 115V
- 0012 Circulation pump motor 115V
- 0013 PWT B10TH16 with threaded bolt
- 0014 Profile seal
- 0015 Flow switch
- 0016 Hydraulic module





**Parts List** *(continued)*

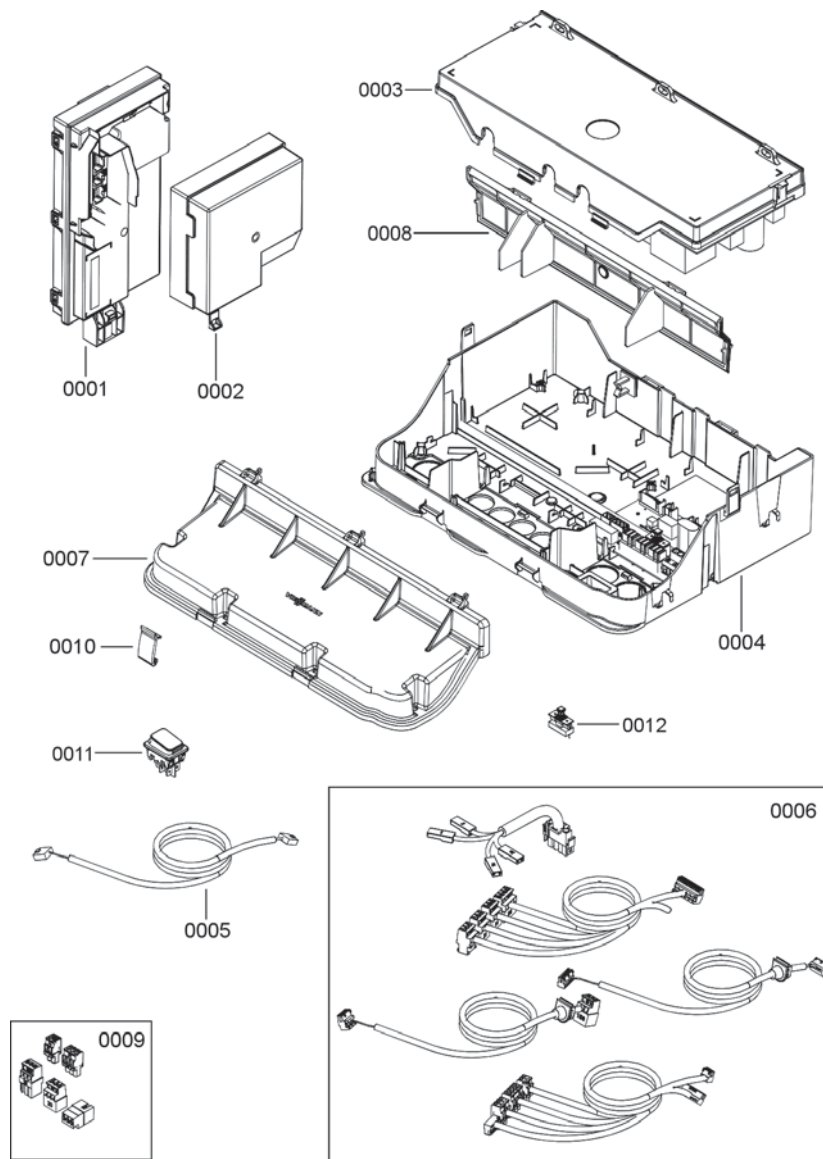
Boiler Model No.	Serial No.
B1HE-85	7722772□□□□□□□□
B1HE-120	7722773□□□□□□□□
B1HE-150	7722774□□□□□□□□
B1HE-199	7722775□□□□□□□□
B1KE-120	7722776□□□□□□□□
B1KE-199	7722777□□□□□□□□

**Ordering Parts:**

Please provide Serial Number when ordering replacement parts. Order replacement components from your Viessmann distributor.

**Electronic Equipment**

- 0001 BCU
- 0002 Cover
- 0003 Rear cover
- 0004 Base enclosure
- 0005 Cable
- 0006 Cable set
- 0007 Front Cover
- 0008 Divider
- 0009 Plug Sset
- 0010 Clip
- 0011 Power switch





**Parts List** *(continued)*

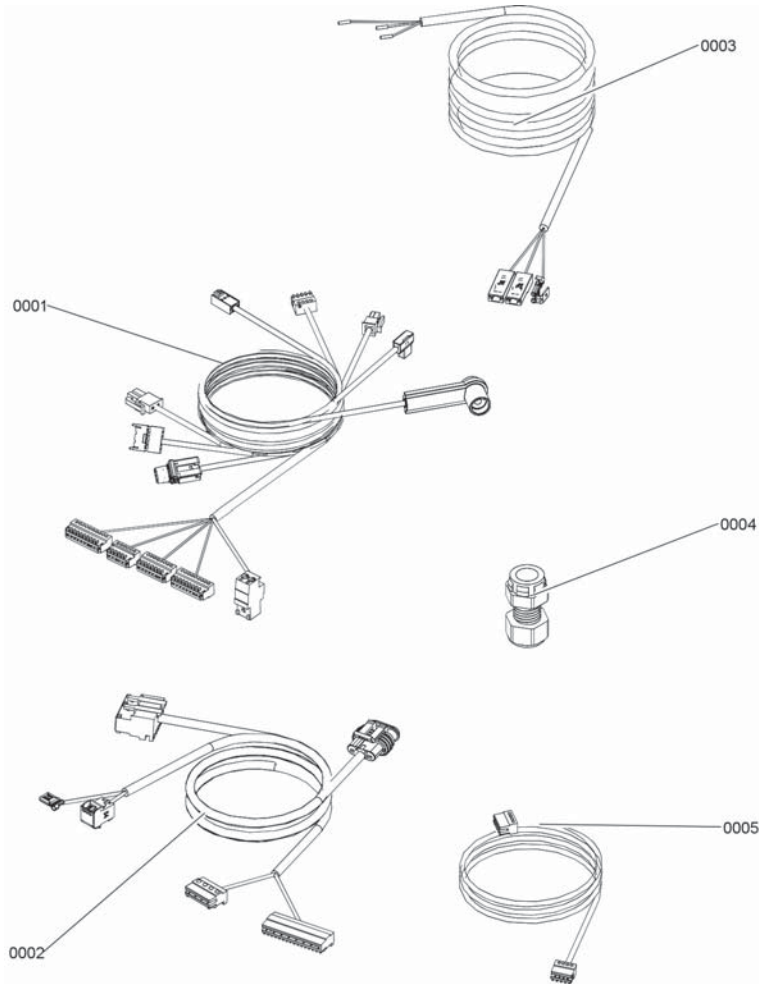
Boiler Model No.	Serial No.
B1HE-85	7722772□□□□□□□□
B1HE-120	7722773□□□□□□□□
B1HE-150	7722774□□□□□□□□
B1HE-199	7722775□□□□□□□□
B1KE-120	7722776□□□□□□□□
B1KE-199	7722777□□□□□□□□

**Ordering Parts:**

Please provide Serial Number when ordering replacement parts. Order replacement components from your Viessmann distributor.

**Cable Set**

- 0001 Wiring harness low voltage
- 0002 Wiring harness 120V
- 0003 Power cable
- 0004 Cable gland
- 0005 Cable 10-pin twisted L = 1300



**Parts List** *(continued)*

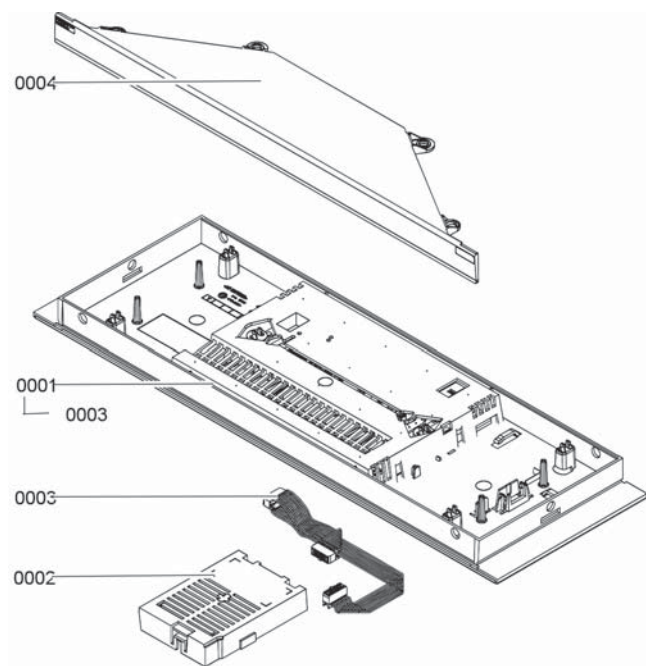
Boiler Model No.	Serial No.
B1HE-85	7722772□□□□□□□□
B1HE-120	7722773□□□□□□□□
B1HE-150	7722774□□□□□□□□
B1HE-199	7722775□□□□□□□□
B1KE-120	7722776□□□□□□□□
B1KE-199	7722777□□□□□□□□

**Ordering Parts:**

Please provide Serial Number when ordering replacement parts. Order replacement components from your Viessmann distributor.

**Programming Unit**

- 0001 Human Machine Interface HMI-P 3.5" 450
- 0002 Telemetric Control Unit (TCU200)
- 0003 Ribbon cable Wifi module
- 0004 Fiber optic HMI 450



**Parts List** *(continued)*

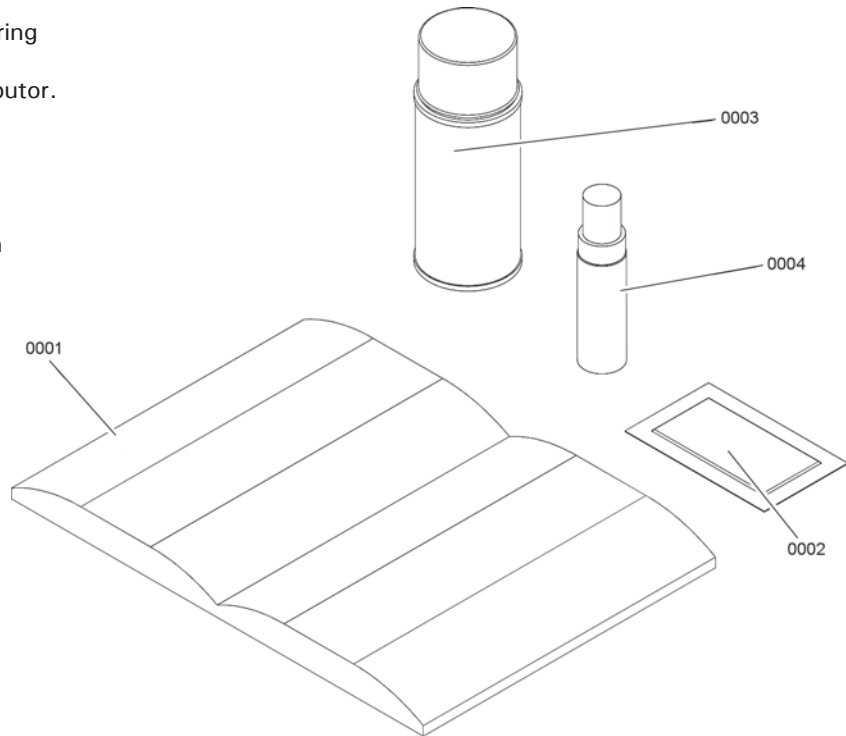
Boiler Model No.	Serial No.
B1HE-85	7722772□□□□□□□□
B1HE-120	7722773□□□□□□□□
B1HE-150	7722774□□□□□□□□
B1HE-199	7722775□□□□□□□□
B1KE-120	7722776□□□□□□□□
B1KE-199	7722777□□□□□□□□

**Ordering Parts:**

Please provide Serial Number when ordering replacement parts. Order replacement components from your Viessmann distributor.

**Other**

- 0001 Technical Documentation
- 0002 Lubricant
- 0003 Vitowhite spray paint 150 ml can
- 0004 Touch-up paint stick Vitowhite



**Parts List** *(continued)*

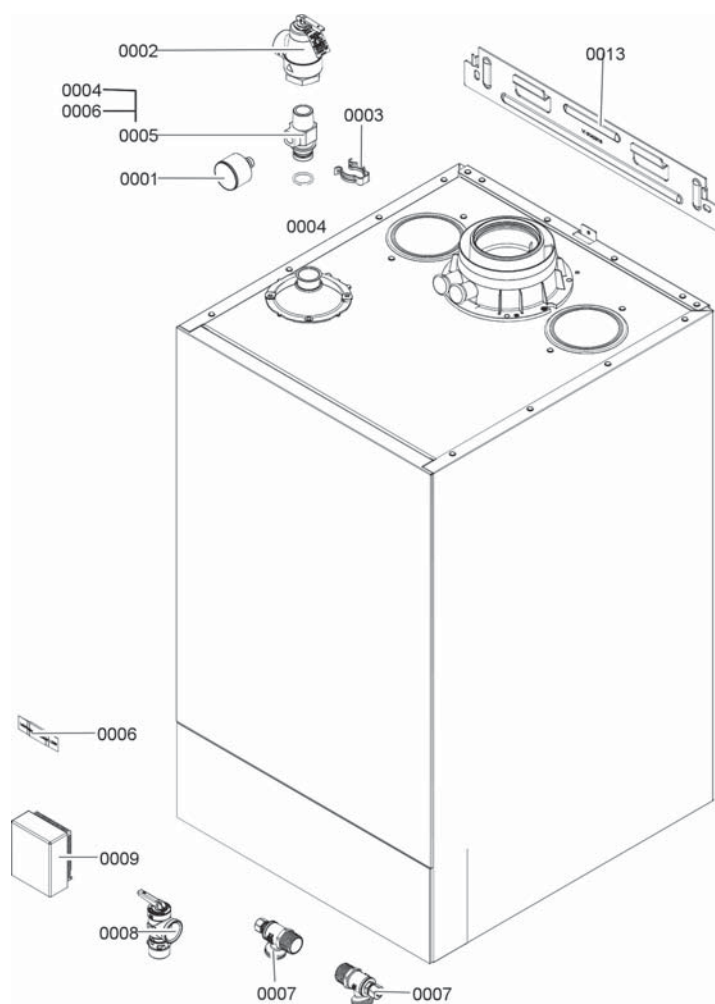
Boiler Model No.	Serial No.
B1HE-85	7722772□□□□□□□□
B1HE-120	7722773□□□□□□□□
B1HE-150	7722774□□□□□□□□
B1HE-199	7722775□□□□□□□□
B1KE-120	7722776□□□□□□□□
B1KE-199	7722777□□□□□□□□

**Ordering Parts:**

Please provide Serial Number when ordering replacement parts. Order replacement components from your Viessmann distributor.

**Accessories**

- 0001 Pressure Gauge
- 0002 Boiler Pressure Relief Valve
- 0003 Locking Clip
- 0004 O Ring
- 0005 Adaptor
- 0006 Label
- 0007 Boiler Drain/Fill Valve
- 0008 DHW Pressure Relief Valve (B1KE Only)
- 0009 Outdoor Temperature Sensor
- 0013 Wall Mounting Bracket



## Lighting and Operating Instructions

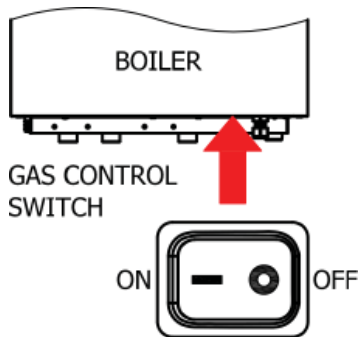
### FOR YOUR SAFETY READ BEFORE OPERATING

**W A R N I N G:** If you do not follow these instructions exactly, a fire or explosion may result causing property damage, personal injury or loss of life.

- A. This boiler does not have a pilot. It is equipped with an ignition device which automatically lights the burner. Do Not try to light the burner by hand.
  - B. **BEFORE OPERATING** smell all around the boiler area for gas. Be sure to smell next to the floor because some gas is heavier than air and will settle on the floor.
- WHAT TO DO IF YOU SMELL GAS**
- Do not try to light any boiler.
  - Do not touch any electric switch; do not use any phone in your building.
  - Immediately call your gas supplier from a neighbor's phone. Follow the gas supplier's instructions.
  - If you cannot reach your gas supplier, call the fire department.
- C. Use only your hand to push the main gas supply switch. Never use tools. If the main gas supply switch will operate by hand, don't try to repair it, call a qualified service technician. Force or attempted repair may result in a fire or explosion.
  - D. Do not use this boiler if any part has been under water. Immediately call a qualified service technician to inspect the boiler and to replace any part of the control system and any gas control which has been under water.

### OPERATING INSTRUCTIONS

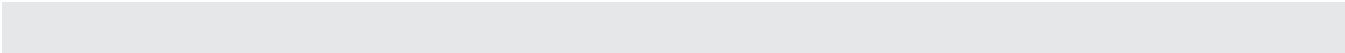
1. **STOP!** Read the safety information above.
2. Set thermostat or other operating control to lowest setting.
3. Turn off all electric power to the boiler.
4. This boiler is equipped with an ignition device which automatically lights the burner. Do not try to light the burner by hand.
5. Close main gas shut-off valve.
6. Wait five (5) minutes to clear out any gas. Then smell for gas, including near the floor. If you smell gas, **STOP!** Follow "B" in the safety information above. If you don't smell gas, go to the next step.
7. Open main gas shut-off valve.
8. Turn on all electric power to the boiler.
9. Set thermostat or other operating control to desired setting.
10. If the boiler will not operate, follow the instructions "To Turn Off Gas To Boiler" and call your service technician or gas supplier.



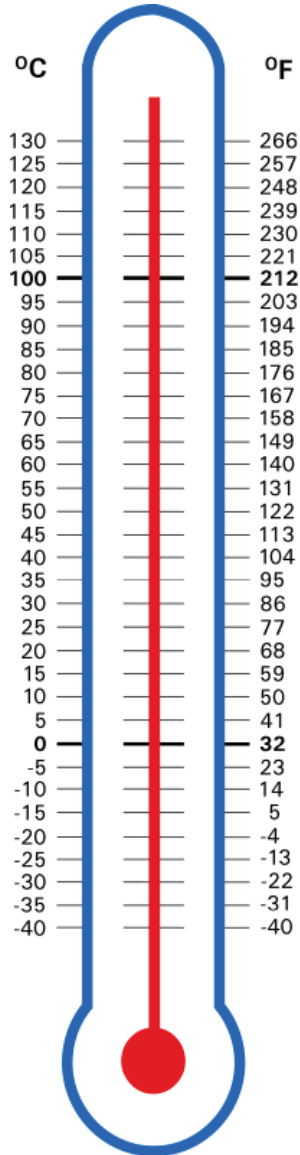
### TO TURN OFF GAS TO BOILER

1. Set thermostat or other operating control to lowest setting.
2. Turn off all electric power to the boiler if service is to be performed.
3. Turn off the control gas switch.









Printed on environmentally friendly  
(recycled and recyclable) paper.



Technical information subject to change without notice.



Viessmann Manufacturing Company Inc.  
750 McMurray Road  
Waterloo, Ontario • N2V 2G5 • Canada  
**TechInfo Line 1-888-484-8643**  
1-800-387-7373 • Fax (519) 885-0887  
[www.viessmann.ca](http://www.viessmann.ca) • [info@viessmann.ca](mailto:info@viessmann.ca)

Viessmann Manufacturing Company (U.S.) Inc.  
45 Access Road  
Warwick, Rhode Island • 02886 • USA  
**TechInfo Line 1-844-649-5886**  
1-800-288-0667 • Fax (401) 732-0590  
[www.viessmann-us.com](http://www.viessmann-us.com) • [info@viessmann-us.com](mailto:info@viessmann-us.com)