



Job Name	
Job Location	
P.O.#	
Engineer	
Contractor	
Wholesaler	
CopperPress® Rep	

CopperPress® Small Diameter Copper End Press Ball Valve is available in sizes ½” – 2” and is suitable for installation in most plumbing and heating systems including hydronic heating, low pressure steam (15 psi max) and potable water. Ball valves are designed to be used with ASTM B88 Type K, L and M ½” – 2” copper tubing in the hard-drawn condition and soft copper tubing in sizes ½” to 1¼”.

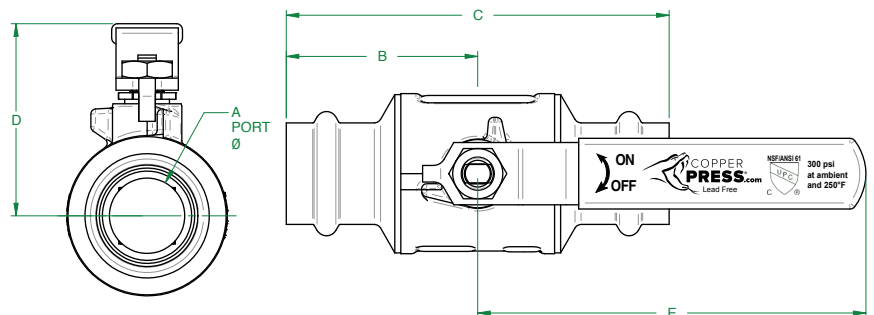
- **Visual Indicator Press Ring** – facilitates immediate identification of un-pressed connections
- **Leak Before Press** – in addition to the VIPR, valve incorporates four path LBP technology, guaranteeing a visual indication if not pressed
- **Lead Free Construction** – fully compliant with current lead-free laws
- **Copper Ends** - protect against dezincification and stress corrosion cracking

Operational Parameters: Operating Pressure = 300 psi, Temperature Range 0°F - 250°F

Approvals: IAPMO/ANSI Z1157, NSF ANSI/CAN 61/372, MSS SP-110

Standard Materials List	
Body	C89836 bronze
Ball	Sizes ½” - 1” chrome plated C46500 brass
	Sizes 1¼” - 2” 304 stainless steel
Seat	PTFE
Retainer	C12200 copper
O-ring	EPDM
Stem	C46500 brass
Stem Packing	PTFE
Packing Gland	HPb59-3P brass
Handle	Zn Plated Q235 carbon steel
Stem Nut	Zn Plated Q235 carbon steel

Part Number	Size (in)	Dimensions (in)					Weight (lbs)
		A Port Ø	B	C	D	E	
70000	½	0.50	1.56	3.11	1.70	3.94	0.54
70010	¾	0.75	1.89	3.78	1.84	3.94	0.79
70020	1	1.00	2.24	4.49	2.37	4.92	1.39
70030	1¼	1.25	2.56	5.12	3.02	5.84	2.74
70040	1½	1.50	2.83	5.67	3.16	6.30	4.30
70050	2	2.00	3.44	6.89	4.21	7.87	7.30



Customer Service (877) 890-2283
www.copperpress.com

Supply Source Products reserves the right to change any portion of the information shown on this submittal without obligation to change CopperPress® products previously or subsequently sold. See www.copperpress.com for most current information.

