

ASSEMBLY INSTRUCTIONS

ITEM CODE : IN711

ITEM DESCRIPTION: 2 DRAWER BEDSIDE



1

Reverse the bedside & place the leg as shown & align the leg to match the apron.



2

Insert the Bolt to fix the leg with the Bedside top and tighten the nut with the washer as shown in fig1

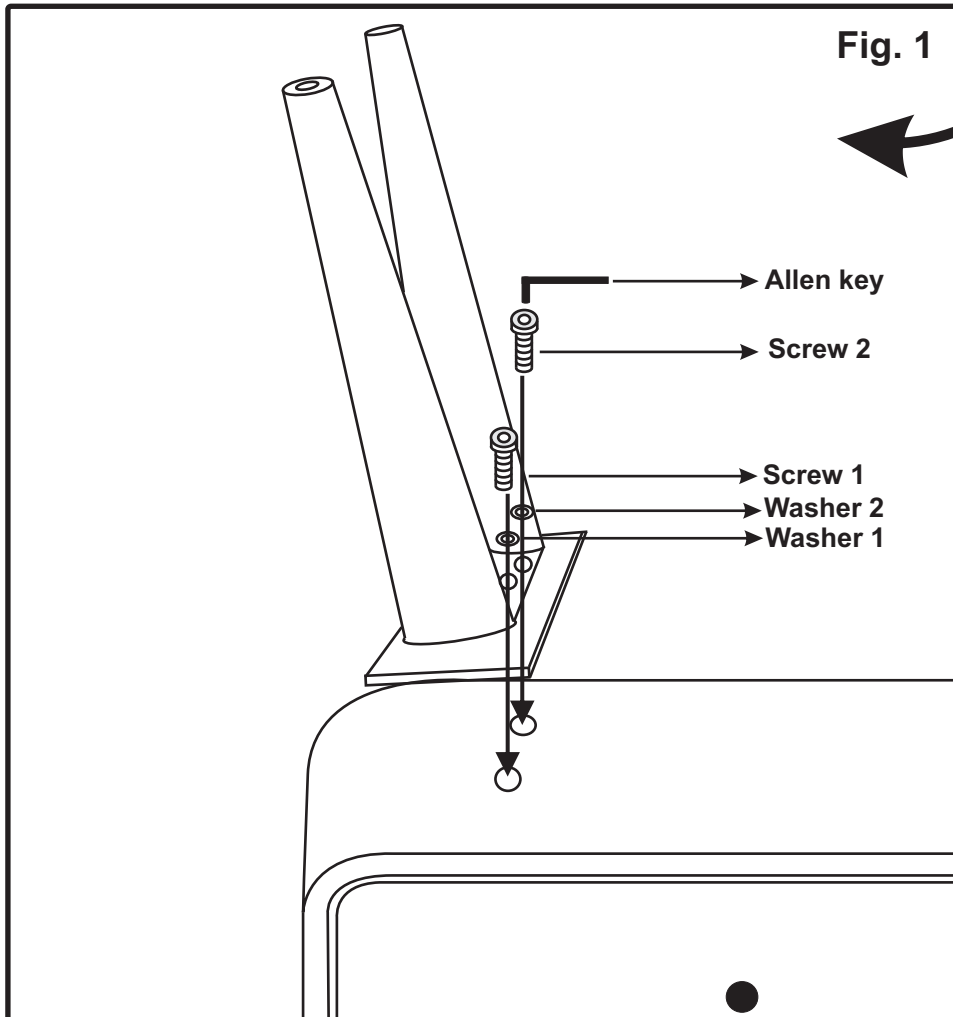


3

Fix the other leg in the similar way

4

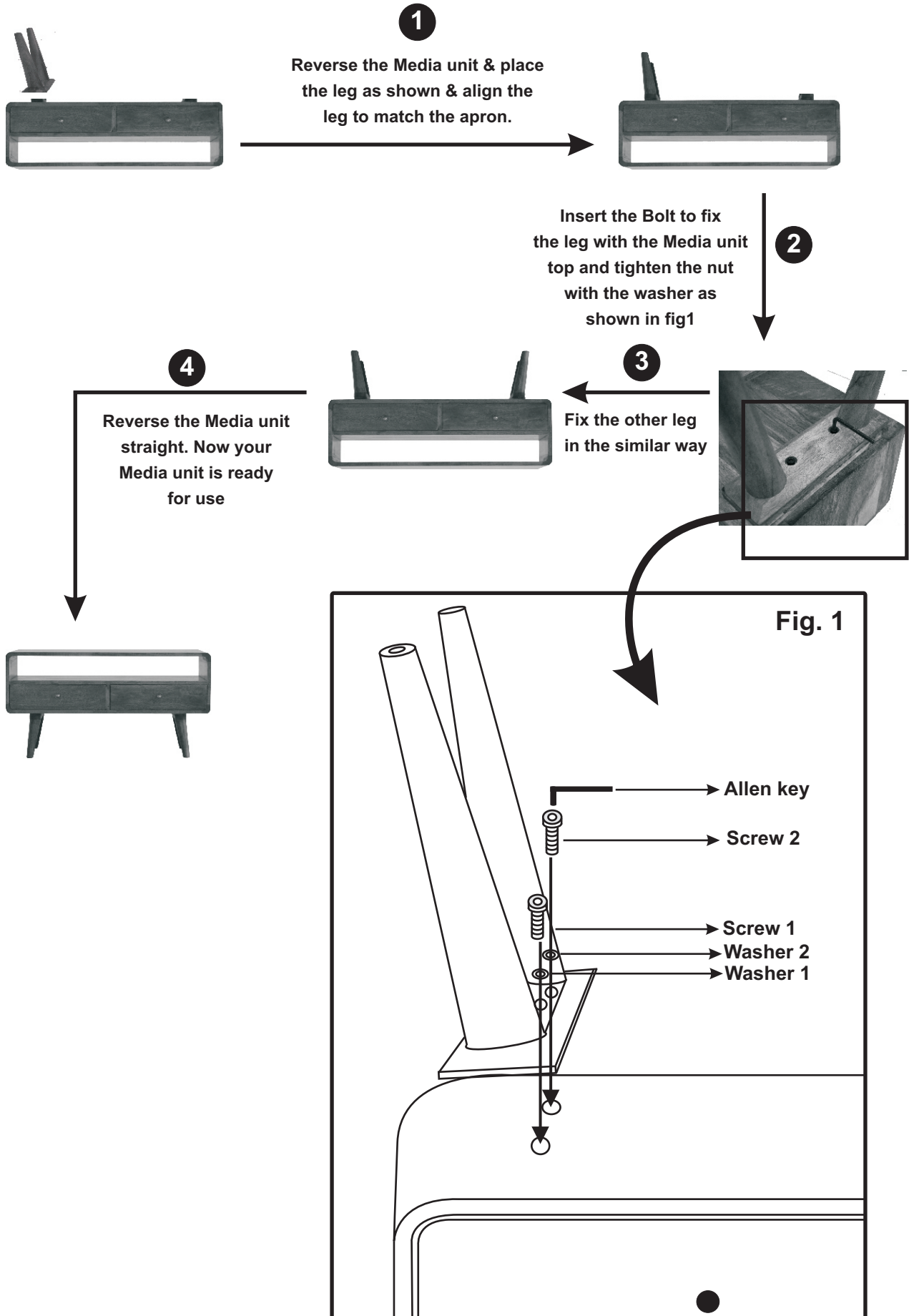
Reverse the bedside straight. Now your bedside is ready for use



ASSEMBLY INSTRUCTIONS

ITEM CODE : IN 712

ITEM DESCRIPTION: 2 DRAWER MEDIA UNIT



ASSEMBLY INSTRUCTIONS

ITEM CODE : IN713

ITEM DESCRIPTION : COFFEE TABLE

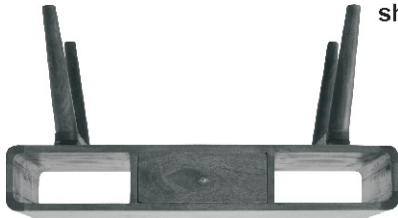
1

Reverse the coffee table & place the leg as shown & align the leg to match the apron.



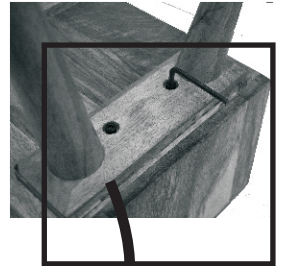
Insert the Bolt to fix the leg with the coffee table top and tighten the nut with the washer as shown in fig1

2



Fix the other leg in the similar way

3

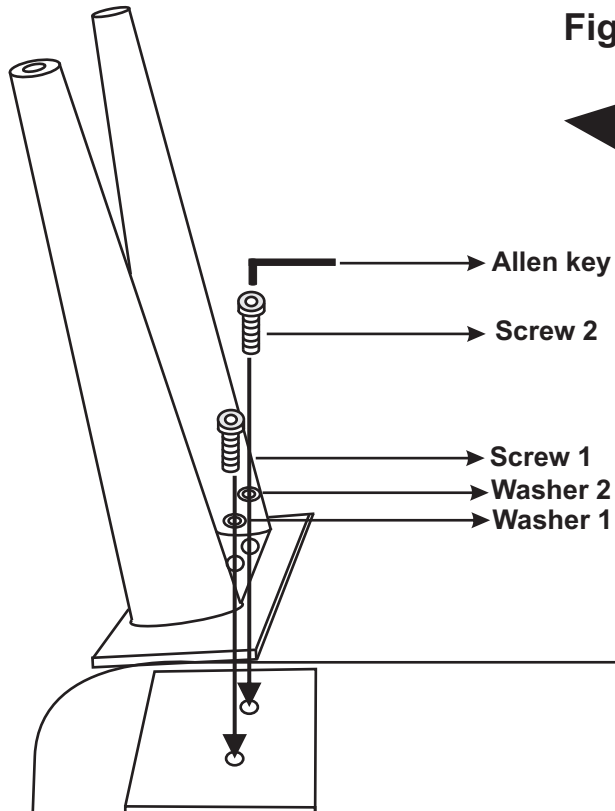


4

Reverse the coffee table straight. Now your bedside is ready for use.



Fig. 1



ASSEMBLY INSTRUCTIONS

ITEM CODE : IN714

ITEM DESCRIPTION : CONSOLE TABLE

